



US00D718304S

(12) **United States Design Patent**
Heinrich

(10) **Patent No.:** **US D718,304 S**

(45) **Date of Patent:** **** Nov. 25, 2014**

(54) **DISPLAY DEVICE COMPONENT**

(75) Inventor: **Mitchell Joseph Heinrich**, San Francisco, CA (US)

(73) Assignee: **Google Inc.**, Mountain View, CA (US)

(**) Term: **14 Years**

(21) Appl. No.: **29/410,330**

(22) Filed: **Jan. 6, 2012**

(51) **LOC (10) Cl.** **14-02**

(52) **U.S. Cl.**
USPC **D14/372**; D16/309

(58) **Field of Classification Search**

CPC G02C 11/10; G02C 11/00; G02C 7/083;
G02B 2027/0178; G02B 27/017; G02B
2027/0134; G02B 27/01; H01N 2213/008
USPC D14/330, 202, 372, 205; D16/300, 100,
D16/341, 338, 323, 309, 336, 326, 325, 235,
D16/327, 330, 136; D8/24, 25, 16, 86, 94,
D8/307, 308; D24/157; D29/105-107,
D29/109; 455/344; 351/153, 158, 243;
348/51; 349/67

See application file for complete search history.

(56) **References Cited**

U.S. PATENT DOCUMENTS

D558,763 S * 1/2008 Morganstern et al. D14/480.7
D566,744 S * 4/2008 Travers et al. D16/300
D583,212 S * 12/2008 Grohmann D8/308
D591,137 S * 4/2009 Beckley D8/308
D647,123 S * 10/2011 Cho D16/309
D649,177 S * 11/2011 Cho et al. D16/309
D659,741 S * 5/2012 Heinrich et al. D16/309
D660,341 S * 5/2012 Olsson et al. D16/300
D664,184 S * 7/2012 Olsson et al. D16/309

D666,237 S * 8/2012 Olsson et al. D16/309
8,289,231 B2 * 10/2012 Budd et al. 345/8
D688,727 S * 8/2013 Olsson D16/300
D697,962 S * 1/2014 Olsson D16/300
2012/0268887 A1 * 10/2012 Pan et al. 361/679.32

* cited by examiner

Primary Examiner — Robert M Spear

Assistant Examiner — Eliza Bennett-Hattan

(74) *Attorney, Agent, or Firm* — Lerner, David, Littenberg,
Krumholz & Mentlik, LLP

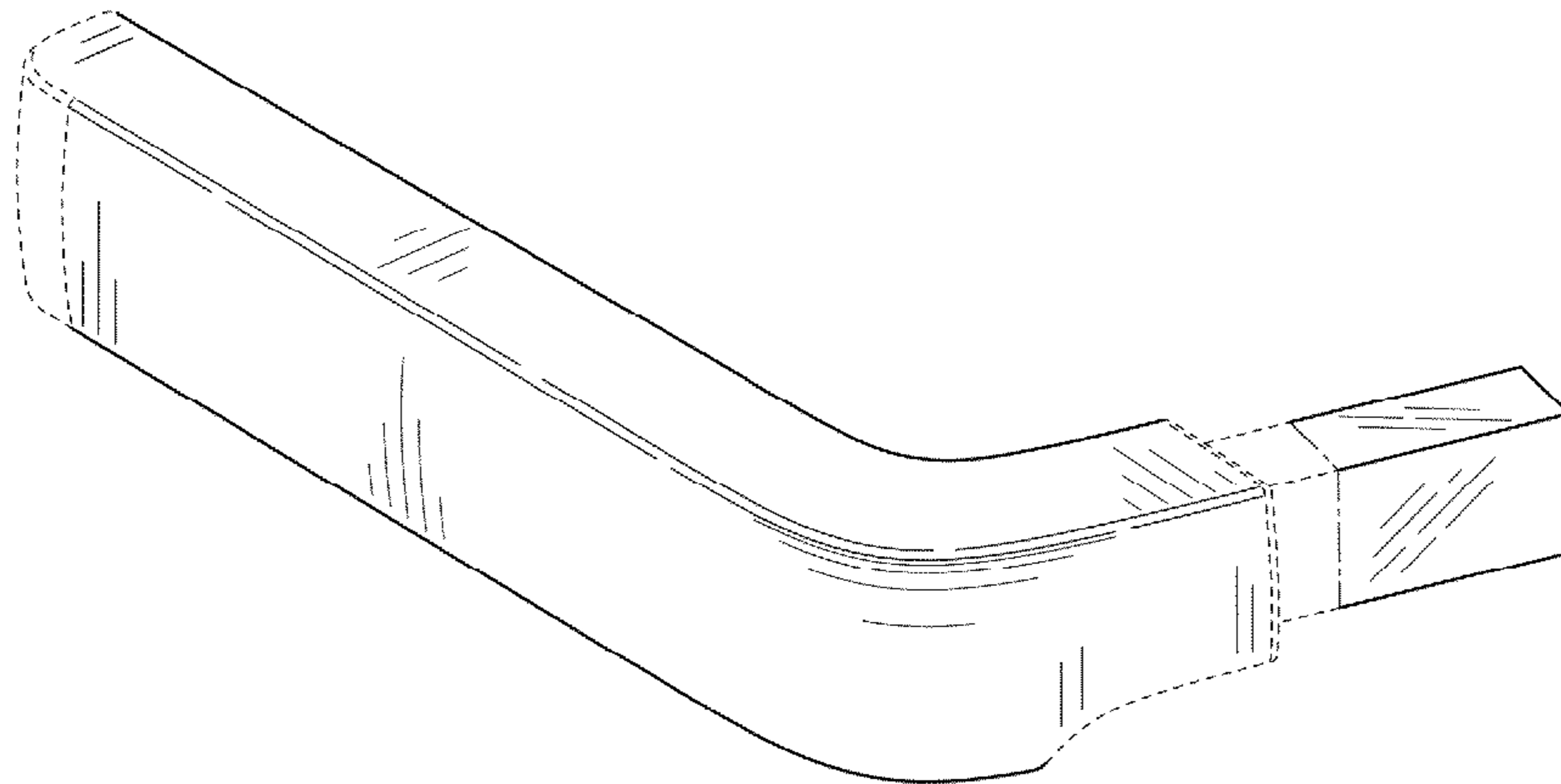
(57) **CLAIM**

The ornamental design for a display device component, as shown and described.

DESCRIPTION

FIG. 1 is a front perspective view of a wearable display device according to my design;
FIG. 2 is a rear perspective view of the display device component of FIG. 1;
FIG. 3 is a front elevation view of the display device component of FIG. 1;
FIG. 4 is a back elevation view of the display device component of FIG. 1;
FIG. 5 is a right elevation view of the display device component of FIG. 1;
FIG. 6 is a left elevation view of the display device component of FIG. 1;
FIG. 7 is a top elevation view of the display device component of FIG. 1; and,
FIG. 8 is a bottom elevation view of the display device component of FIG. 1.
Broken lines are environmental only and form no part of the claimed design.
Dash-dot lines represent bounds of associated portions of the claimed design and form no part of the claimed design.

1 Claim, 4 Drawing Sheets



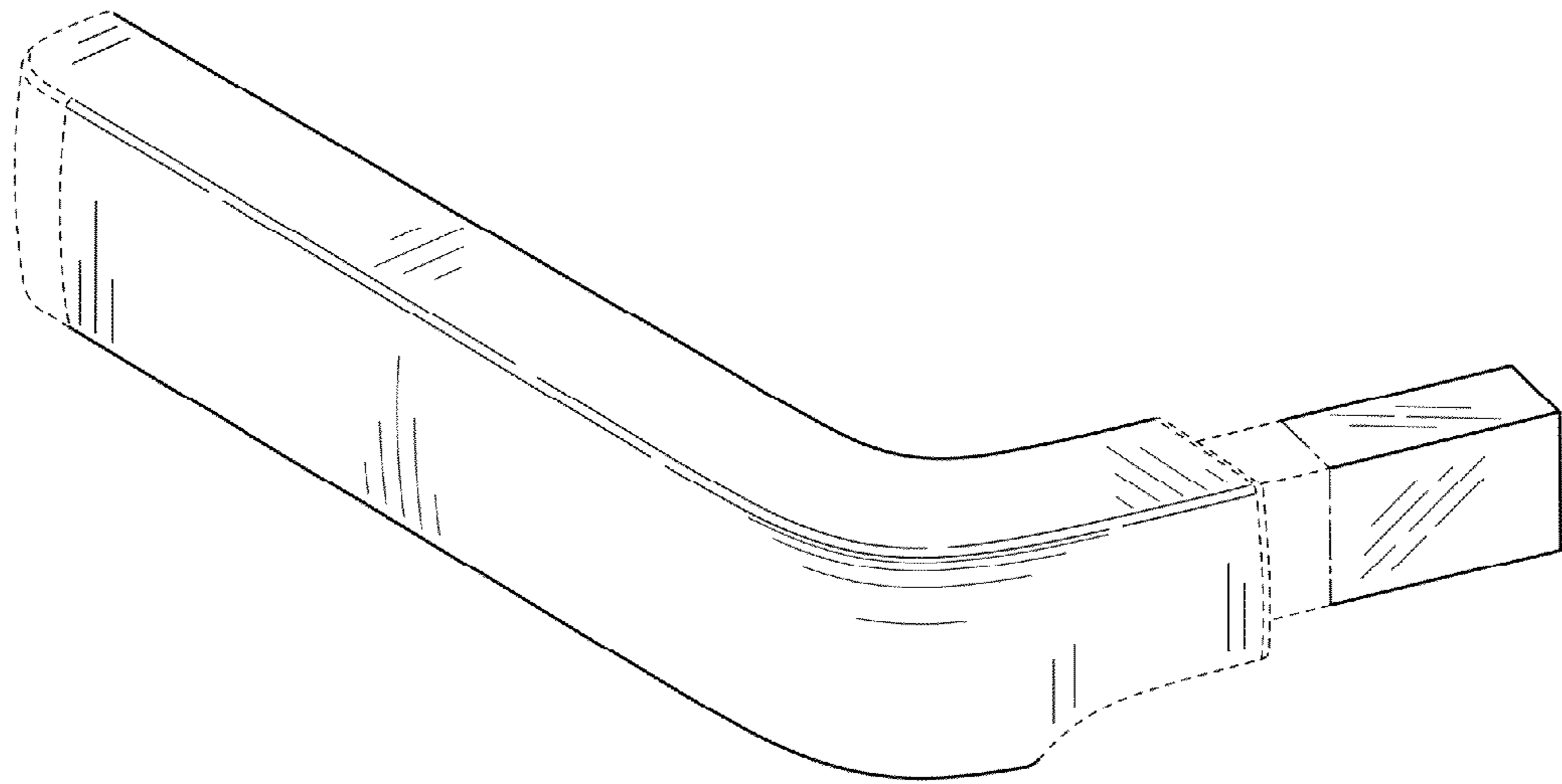


FIG. 1

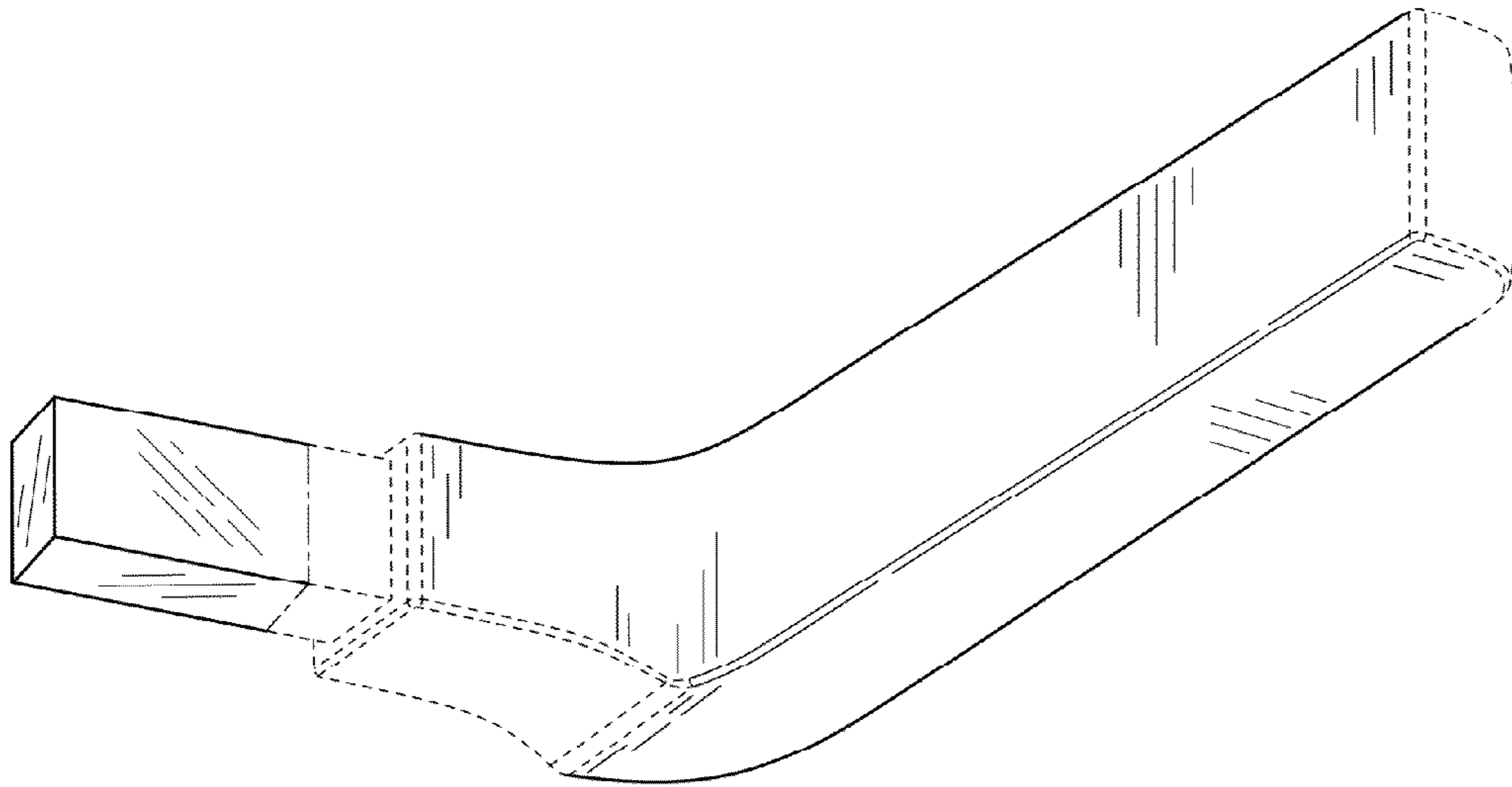


FIG. 2

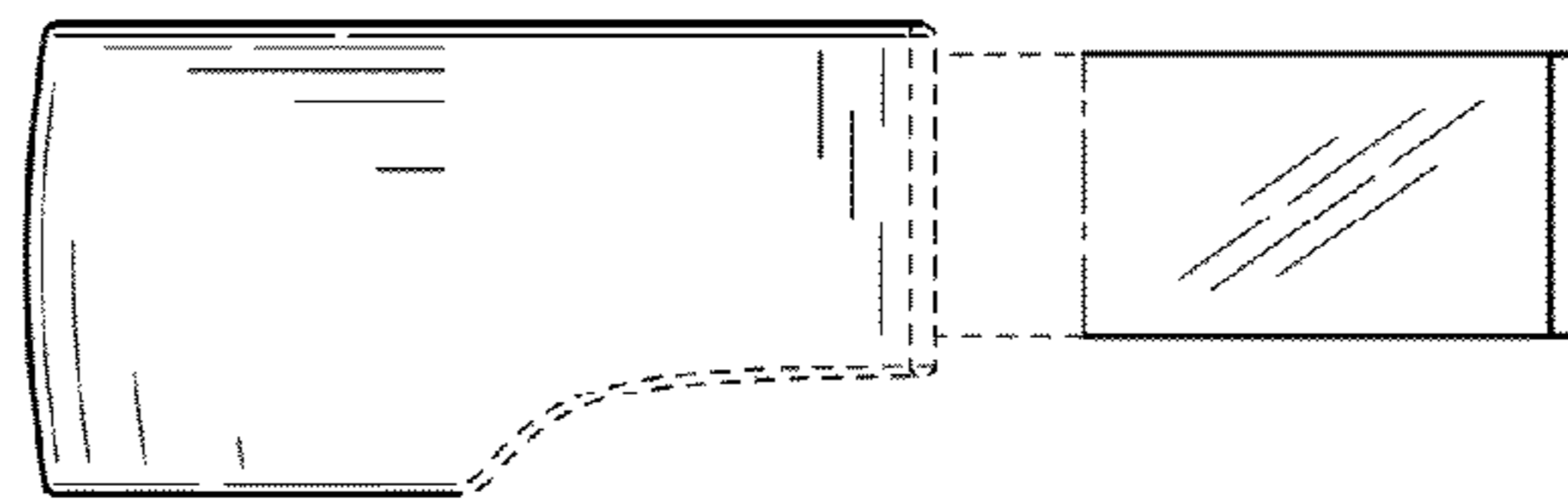


FIG. 3

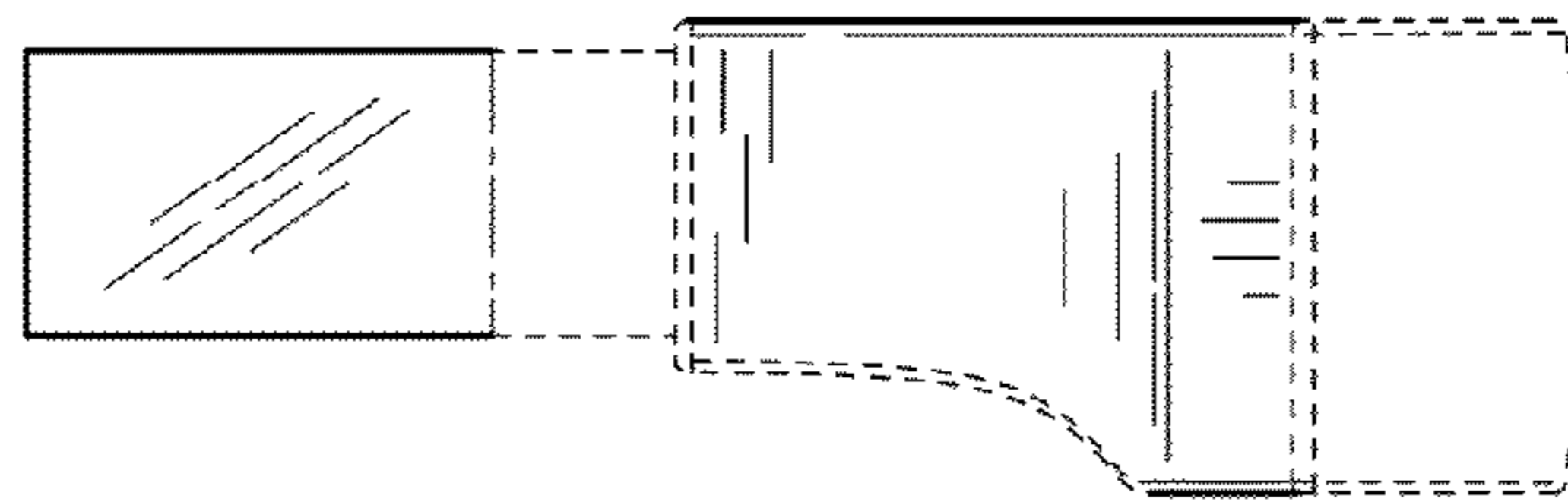


FIG. 4



FIG. 5

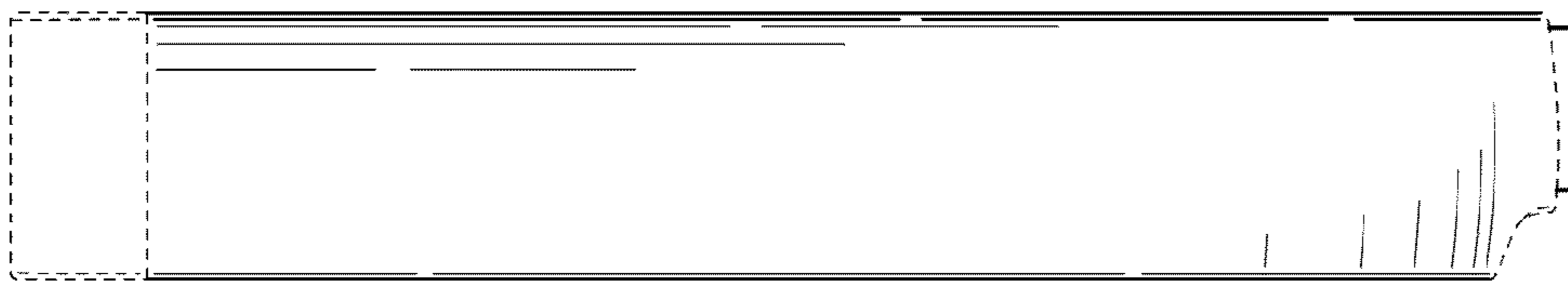


FIG. 6

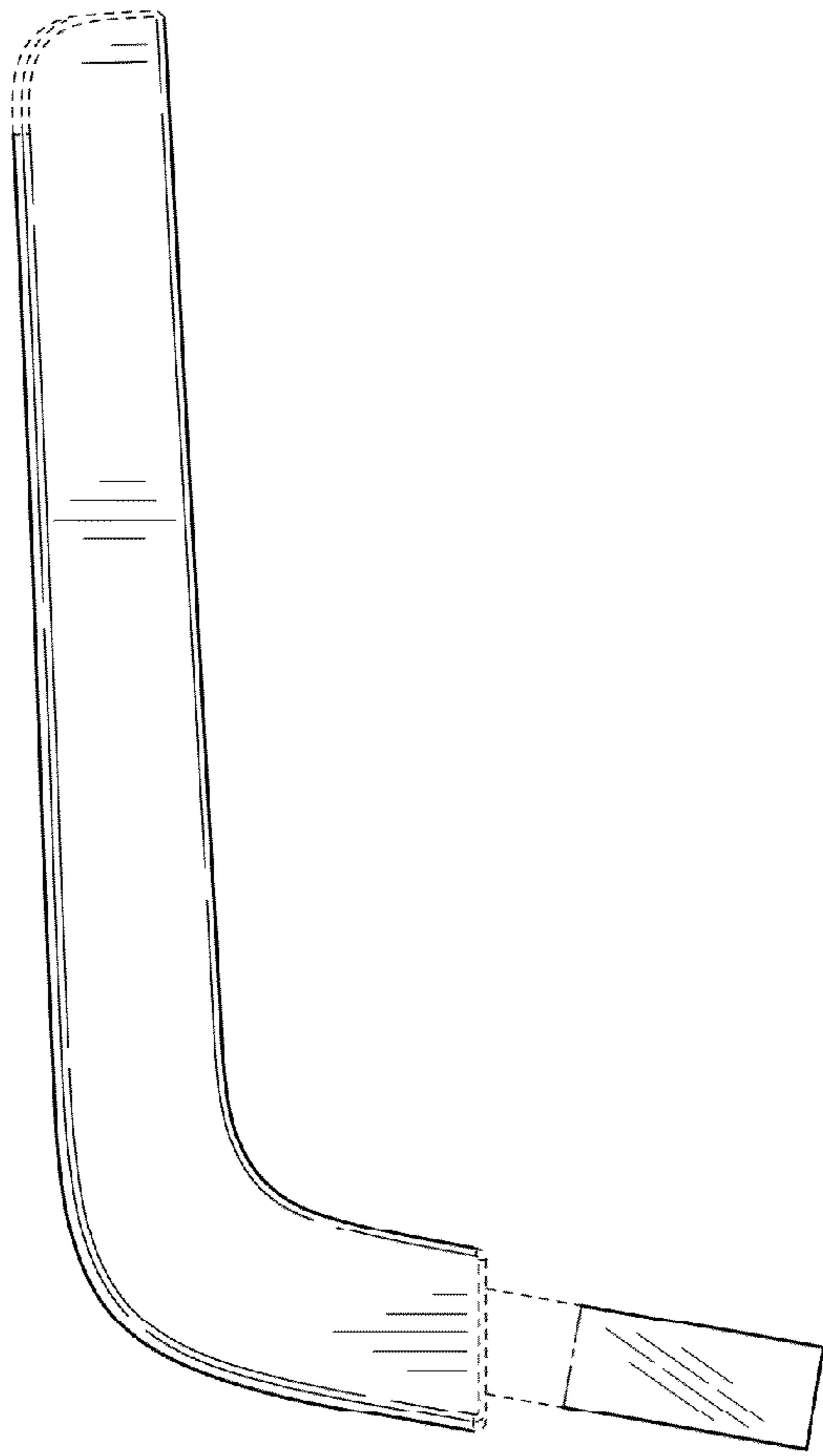


FIG. 7

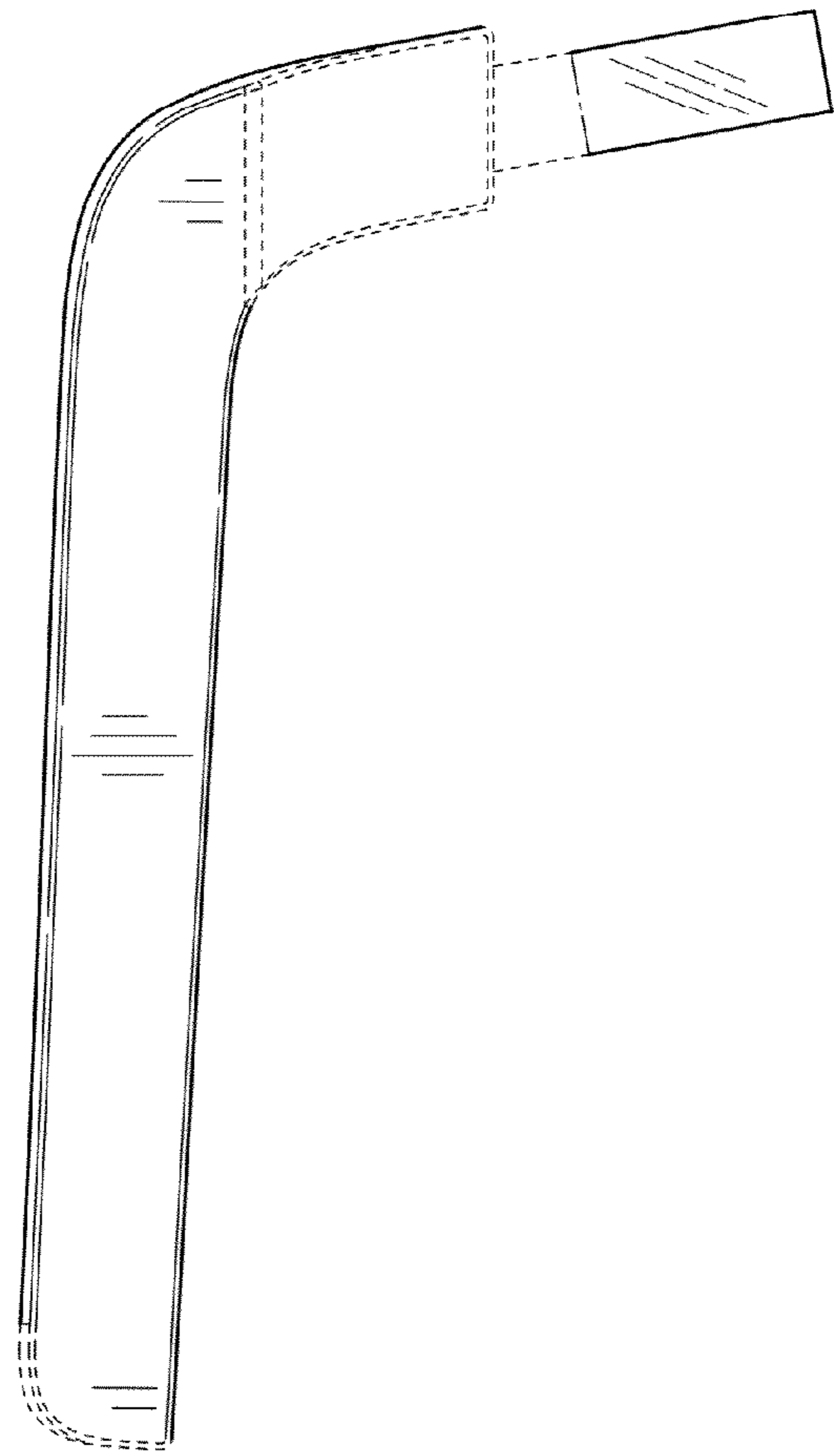


FIG. 8