



US00D718303S

(12) **United States Design Patent**
Choteau et al.

(10) **Patent No.:** **US D718,303 S**

(45) **Date of Patent:** **** Nov. 25, 2014**

(54) **COMPUTER**

(71) Applicant: **Sony Corporation**, Tokyo (JP)

(72) Inventors: **Emmanuelle Choteau**, Surrey (GB);
Mitsuhiro Uehara, Tokyo (JP); **Soichi Tanaka**, Tokyo (JP)

(73) Assignee: **Sony Corporation**, Tokyo (JP)

(**) Term: **14 Years**

(21) Appl. No.: **29/443,265**

(22) Filed: **Jan. 15, 2013**

(30) **Foreign Application Priority Data**

Jul. 17, 2012 (JP) D2012-016953
Jul. 17, 2012 (JP) D2012-016954
Jul. 17, 2012 (JP) D2012-016956
Jul. 17, 2012 (JP) D2012-016957
Jul. 17, 2012 (JP) D2012-016958
Jul. 17, 2012 (JP) D2012-016959
Jul. 17, 2012 (JP) D2012-016960
Jul. 17, 2012 (JP) D2012-016961
Aug. 29, 2012 (CN) 2012 3 0410759

(51) **LOC (10) Cl.** **14-02**

(52) **U.S. Cl.**
USPC **D14/341**

(58) **Field of Classification Search**
CPC ... H04M 1/00; H04M 11/066; H04M 1/2478;
H04M 1/72519; H04M 2201/38; H04M
2250/22; G06F 15/00
USPC D14/341-347, 137, 138 R, 138 AA,
D14/138 C, 138 G, 496, 203.1, 203.3, 203.4,
D14/203.7, 129, 130, 147, 218, 248, 389,
D14/388, 426, 420; D10/65, 104.1;
D18/6-7; D21/324, 329, 330;
455/556.1, 556.2, 566, 575.1, 90.3;
379/433.04, 433.01, 433.06, 916;
345/173, 901, 905; 361/679.26, 679.3,
361/679.55, 679.56

See application file for complete search history.

(56) **References Cited**

U.S. PATENT DOCUMENTS

D408,794 S 4/1999 Ogasawara
D453,332 S * 2/2002 Herath D14/341
D464,345 S * 10/2002 Liu D14/341
D486,149 S * 2/2004 Kawami et al. D14/341
D489,717 S * 5/2004 Hsieh D14/341

(Continued)

FOREIGN PATENT DOCUMENTS

JP D1410727 S 4/2011
JP D1411693 S 4/2011
JP D1411696 S 4/2011
JP D1432508 S 12/2011

Primary Examiner — Barbara Fox

(74) *Attorney, Agent, or Firm* — Rader, Fishman & Grauer
PLLC

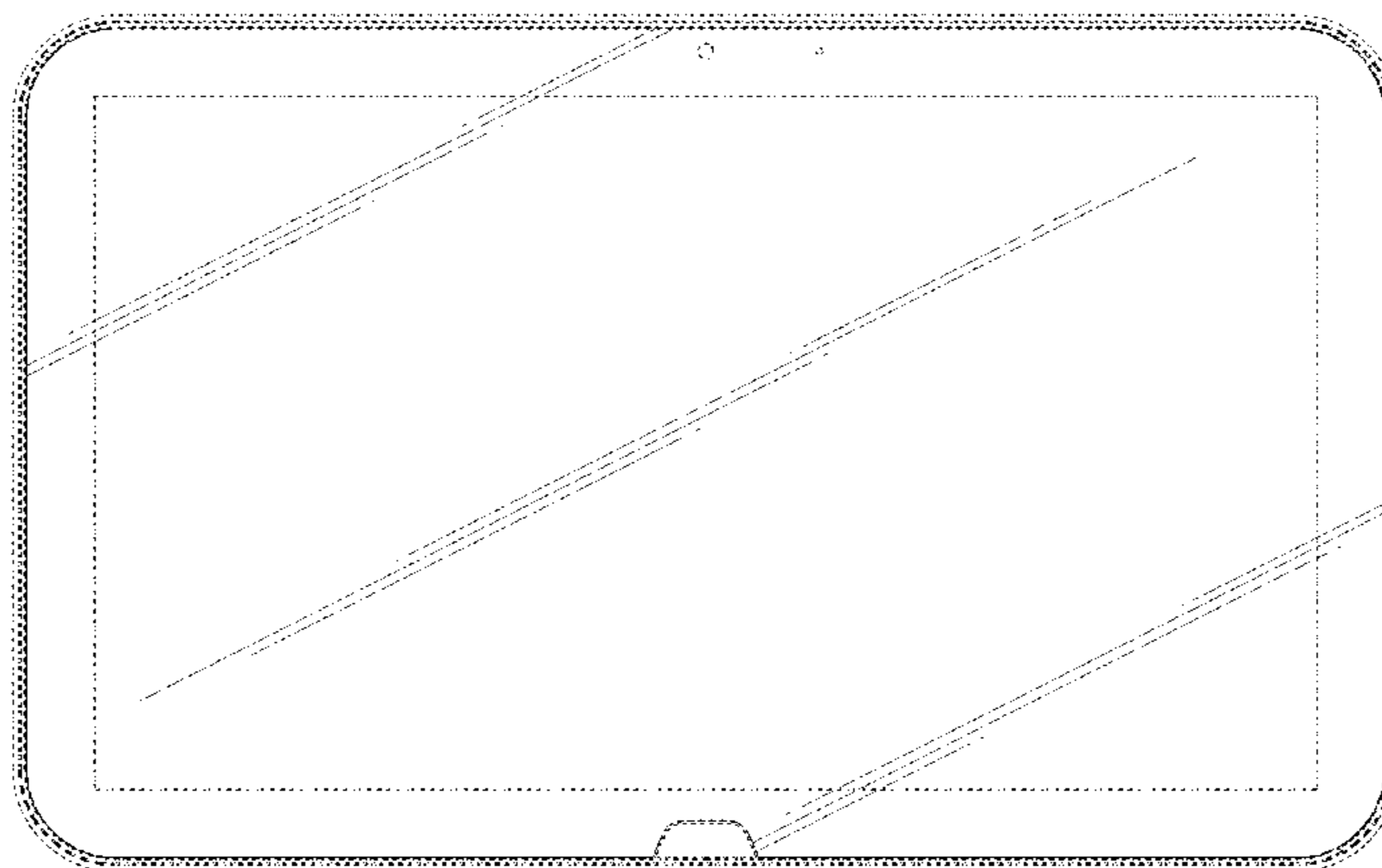
(57) **CLAIM**

The ornamental design for a computer, as shown and described.

DESCRIPTION

FIG. 1 is a front, top, right perspective view of a first embodiment of a computer showing our new design; and FIG. 2 is a front elevational view thereof. FIG. 3 is a front, top, right perspective view of a second embodiment of a computer showing our new design; and FIG. 4 is a front elevational view thereof. FIG. 5 is a front, top, right perspective view of a third embodiment of a computer showing our new design; and FIG. 6 is a front elevational view thereof. FIG. 7 is a front, top, right perspective view of a fourth embodiment of a computer showing our new design; and, FIG. 8 is a front elevational view thereof. The broken lines shown in the drawings illustrate portions of the computer which form no part of the claimed design.

1 Claim, 8 Drawing Sheets



(56)

References Cited

U.S. PATENT DOCUMENTS

D501,473 S *	2/2005	Nakata	D14/341	D633,089 S *	2/2011	Hsu	D14/341
D516,553 S *	3/2006	Richardson et al.	D14/341	D635,136 S *	3/2011	Jiang et al.	D14/341
D516,554 S *	3/2006	Richardson et al.	D14/341	D636,769 S *	4/2011	Wood et al.	D14/341
D529,490 S *	10/2006	Jackson, Jr.	D14/341	D637,596 S *	5/2011	Akana et al.	D14/341
D543,979 S *	6/2007	Lee	D14/341	D651,601 S *	1/2012	Ichise	D14/341
D552,049 S	10/2007	Suzuki		D670,260 S *	11/2012	Kim et al.	D14/138 G
D570,347 S *	6/2008	Kataoka et al.	D14/341	D673,560 S *	1/2013	Kim	D14/341
D597,541 S *	8/2009	Kazma et al.	D14/341	D675,203 S *	1/2013	Yang	D14/341
D598,912 S *	8/2009	Yoon et al.	D14/341	D692,422 S *	10/2013	Chung	D14/341
D600,690 S *	9/2009	Miyaji	D14/341	D692,423 S *	10/2013	Kim et al.	D14/341
D601,122 S	9/2009	Hibino et al.		D693,340 S *	11/2013	Ohshima	D14/341
D601,557 S *	10/2009	Wesolek	D14/341	D693,707 S *	11/2013	Stevens et al.	D10/65
D604,715 S *	11/2009	Shimizu et al.	D14/203.7	D695,744 S *	12/2013	Weller et al.	D14/440
D616,436 S *	5/2010	Busri	D14/341	D696,246 S *	12/2013	Kim	D14/341
D620,003 S *	7/2010	Chiang et al.	D14/341	D696,662 S *	12/2013	Song et al.	D14/341
D626,124 S *	10/2010	Chyan et al.	D14/341	D696,664 S *	12/2013	Iida et al.	D14/342
D627,777 S *	11/2010	Akana et al.	D14/341	D697,065 S *	1/2014	Kim et al.	D14/346
D633,088 S *	2/2011	Liao	D14/341	D698,356 S *	1/2014	Park	D14/345
				D701,202 S *	3/2014	Choi	D14/341
				2012/0062370 A1 *	3/2012	Feldstein et al.	340/13.22

* cited by examiner

FIG. 1

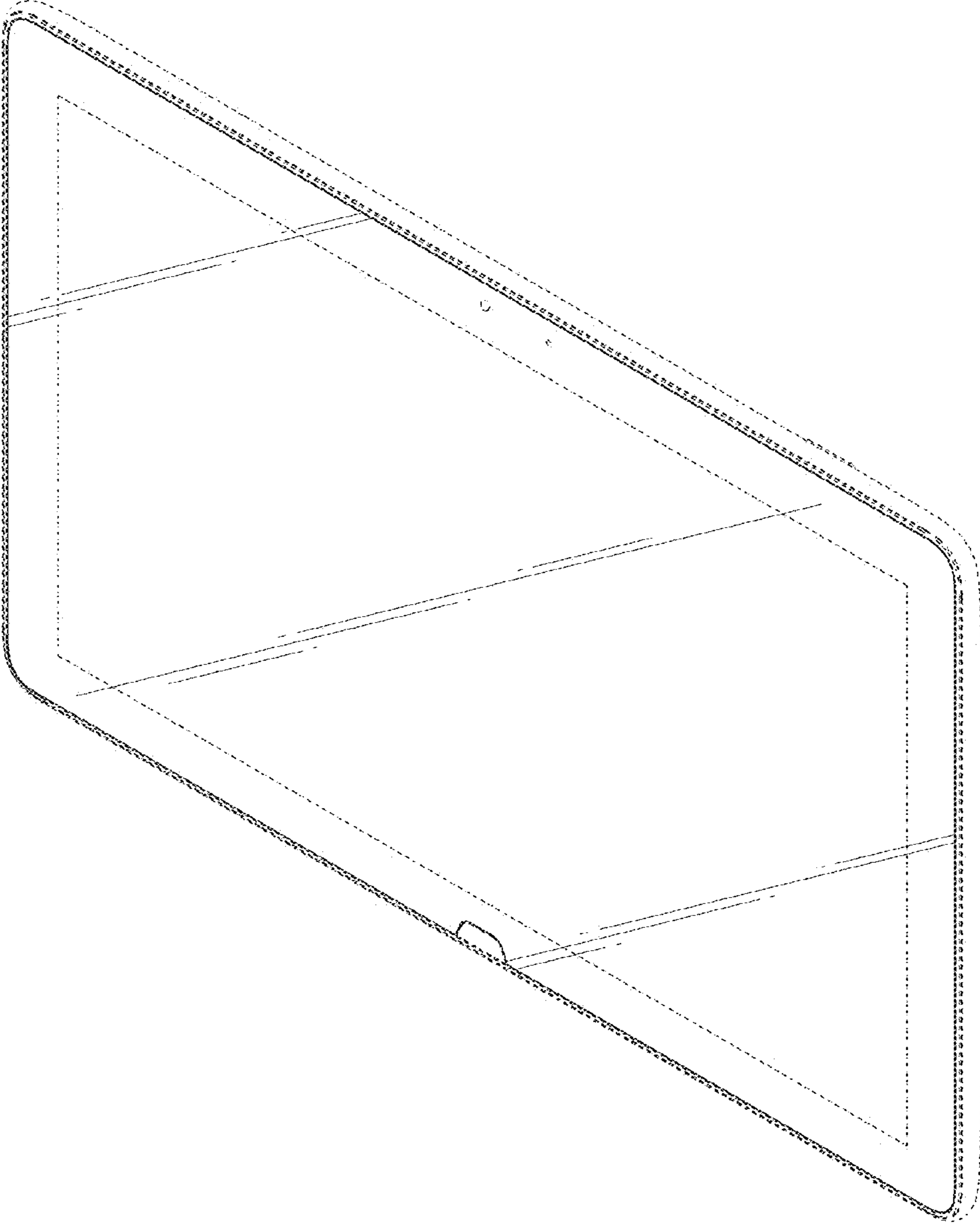


FIG.2

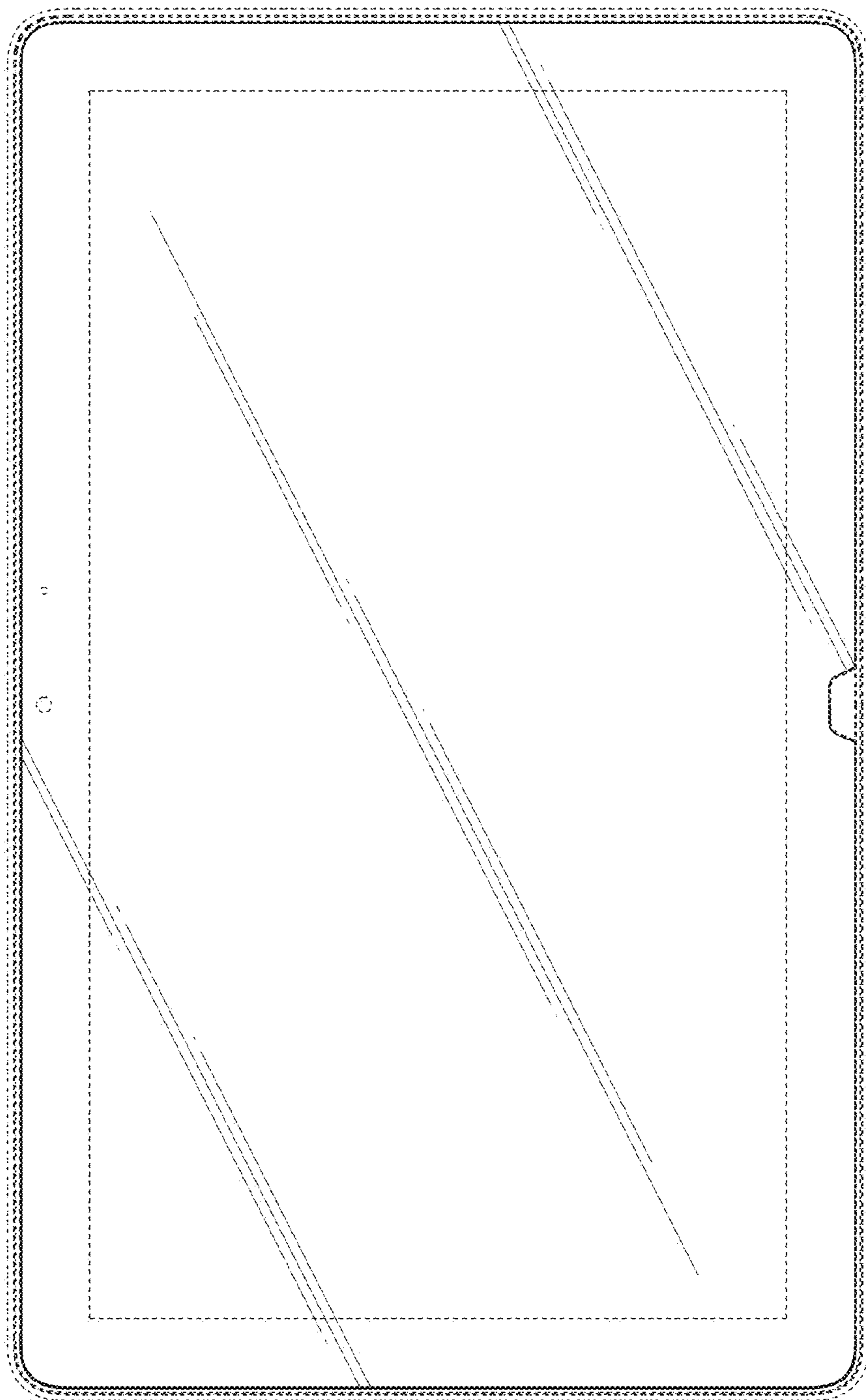


FIG.3

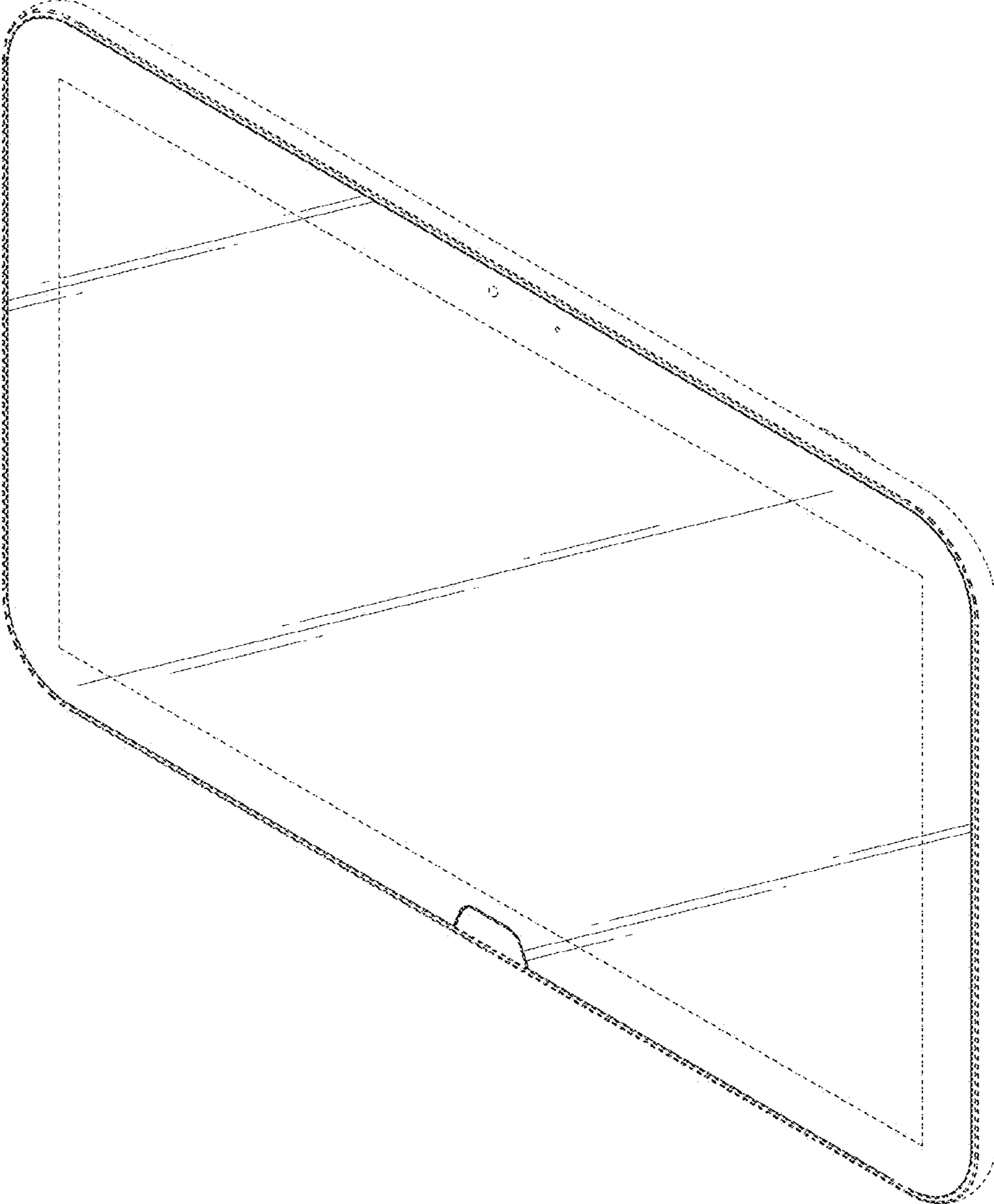


FIG.4

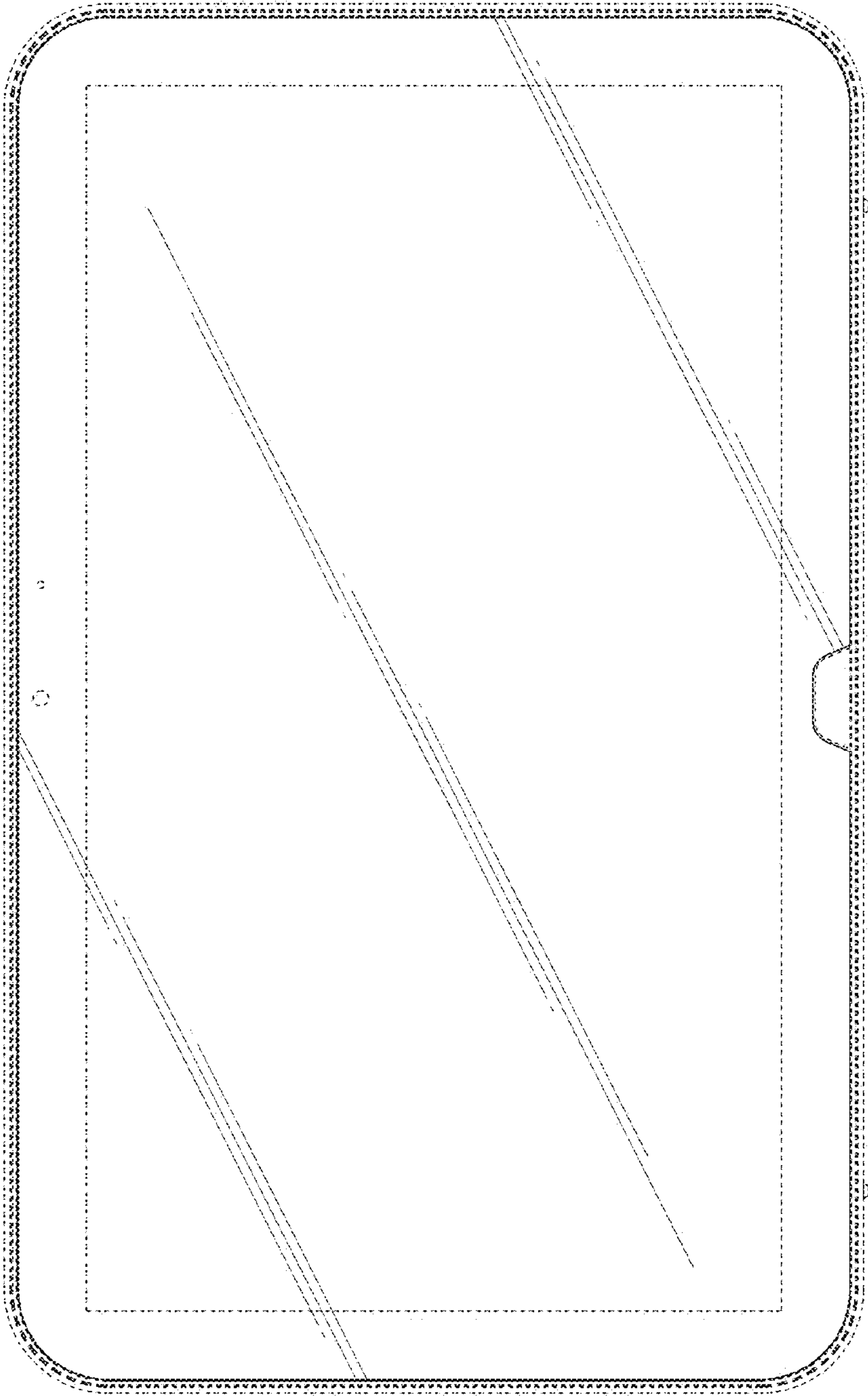


FIG. 5

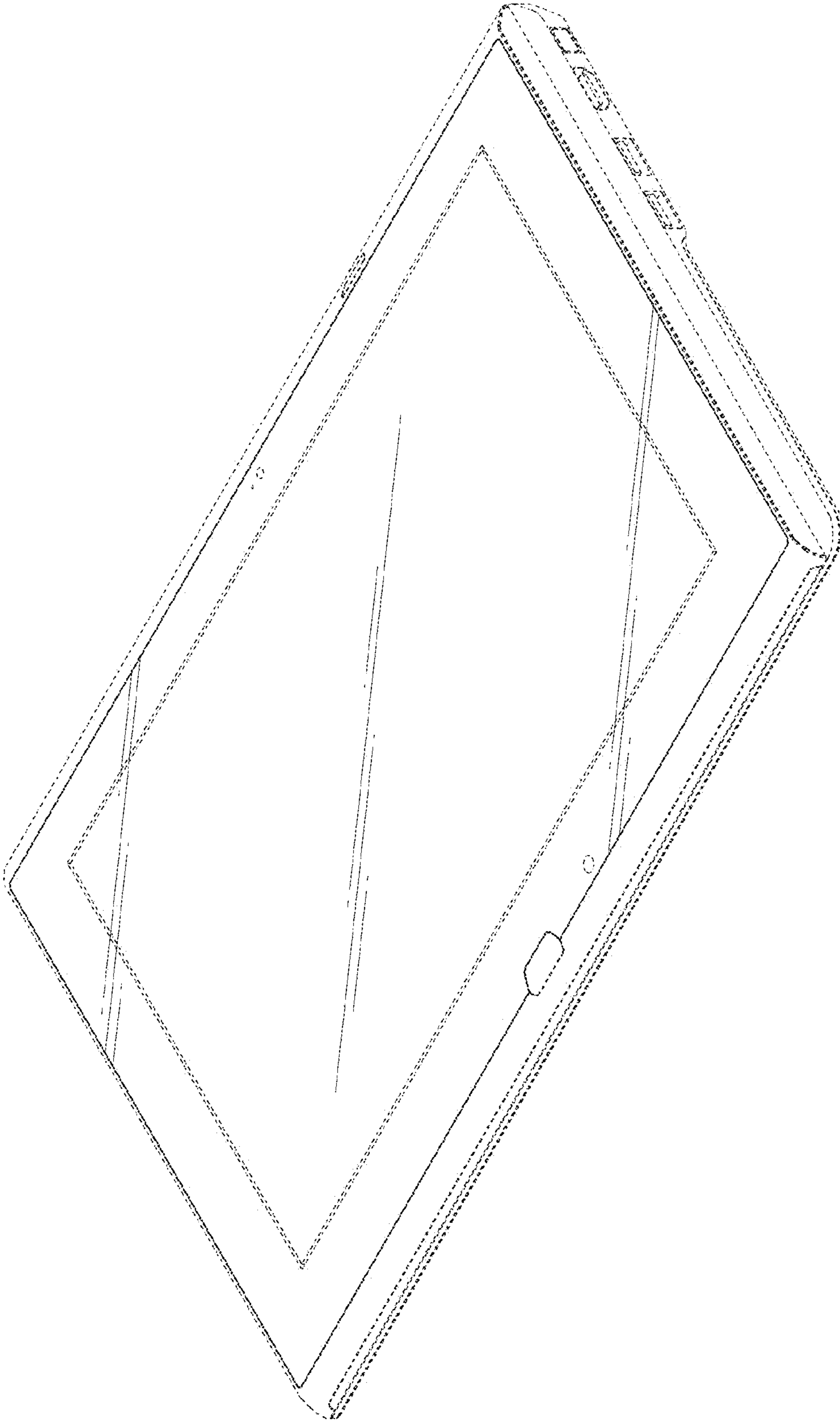


FIG. 6

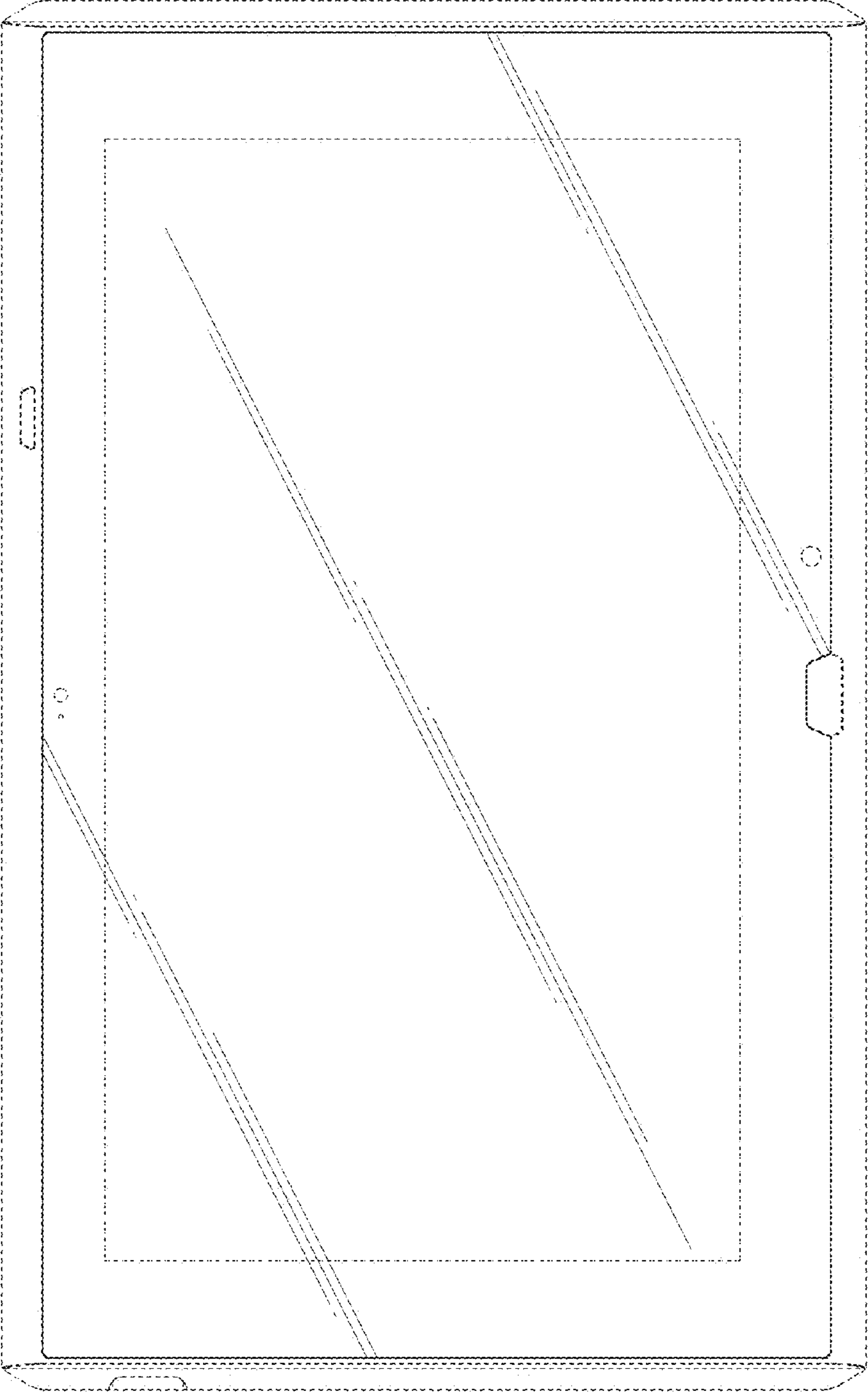


FIG.7

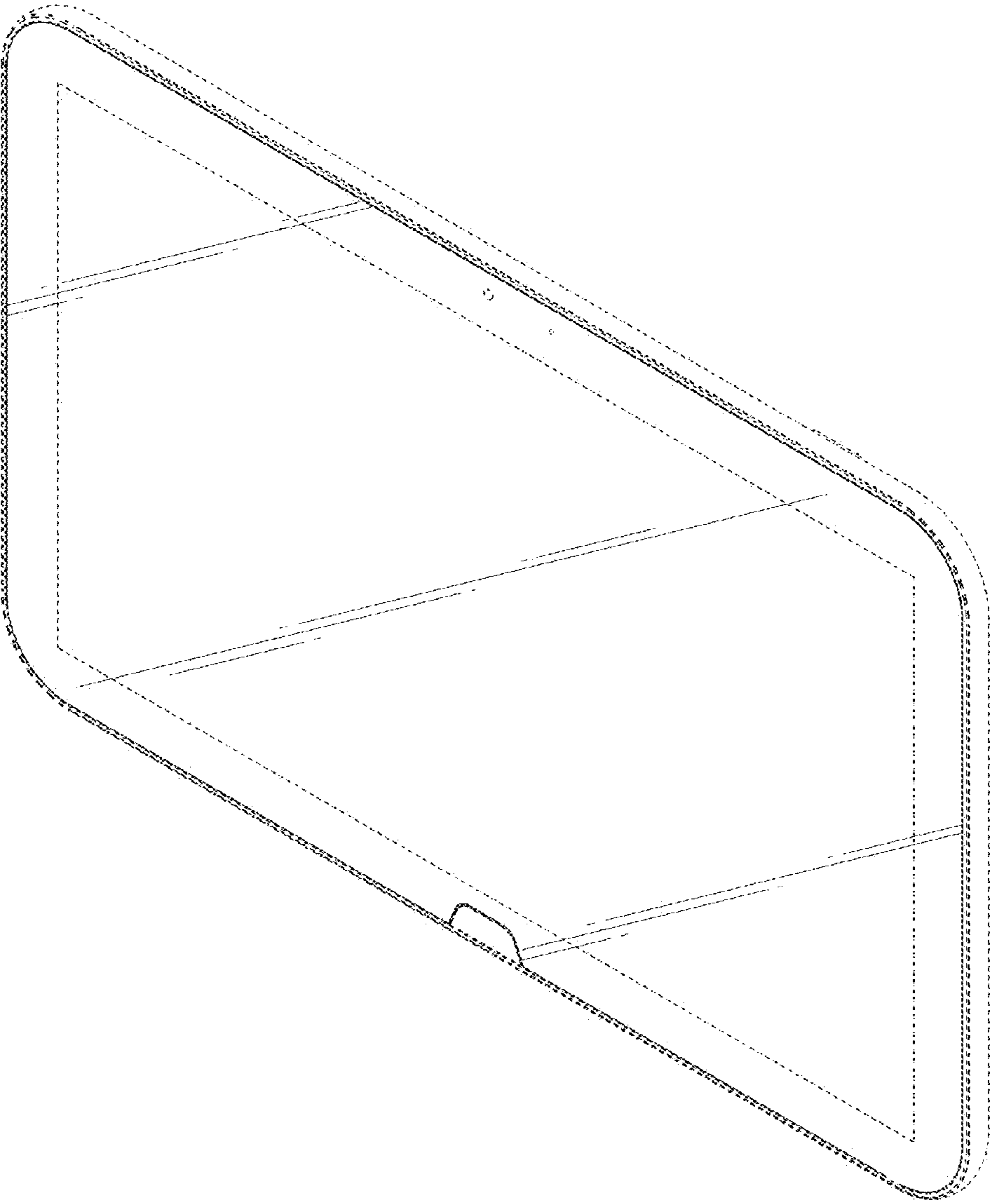


FIG. 8

