



US00D718299S

(12) **United States Design Patent**  
**Takahashi**

(10) **Patent No.:** **US D718,299 S**

(45) **Date of Patent:** **\*\* Nov. 25, 2014**

(54) **DIGITAL AUDIO DISC PLAYER FOR  
AUTOMOBILE**

(71) Applicant: **JVC Kenwood Corporation**, Kanagawa  
(JP)

(72) Inventor: **Noriyuki Takahashi**, Kanagawa (JP)

(73) Assignee: **JVC Kenwood Corporation**, Kanagawa  
(JP)

(\*\*) Term: **14 Years**

(21) Appl. No.: **29/470,084**

(22) Filed: **Oct. 17, 2013**

(30) **Foreign Application Priority Data**

Apr. 17, 2013 (JP) ..... 2013-008639

(51) **LOC (10) Cl.** ..... **14-03**

(52) **U.S. Cl.**  
USPC ..... **D14/258**; D14/188

(58) **Field of Classification Search**  
USPC ..... D12/82, 192, 195, 415; D14/131, 132,  
D14/137, 155, 157, 167-172, 188, 197, 198,  
D14/239, 257, 258, 345-355, 400, 496,  
D14/498-505, 511; D16/202, 206;  
D21/329-332, 669, 670, 696;  
360/99.02, 99.07; 369/6-12, 75.11,  
369/75.21, 77.11; 455/344, 348-355,  
455/575.9; 720/612, 619, 649, 655

See application file for complete search history.

(56) **References Cited**

U.S. PATENT DOCUMENTS

D571,349 S *	6/2008	Endo et al. ....	D14/157
D572,231 S *	7/2008	Endo et al. ....	D14/157
D605,660 S *	12/2009	Yagihashi .....	D14/505
D638,415 S *	5/2011	Yokoyama .....	D14/258
D645,464 S *	9/2011	Kimura .....	D14/257
D672,743 S *	12/2012	Suzuki et al. ....	D14/157
D680,094 S *	4/2013	Kanou .....	D14/157

\* cited by examiner

*Primary Examiner* — Prabhakar Deshmukh

*Assistant Examiner* — Janice Lim

(74) *Attorney, Agent, or Firm* — Osha Liang LLP

(57) **CLAIM**

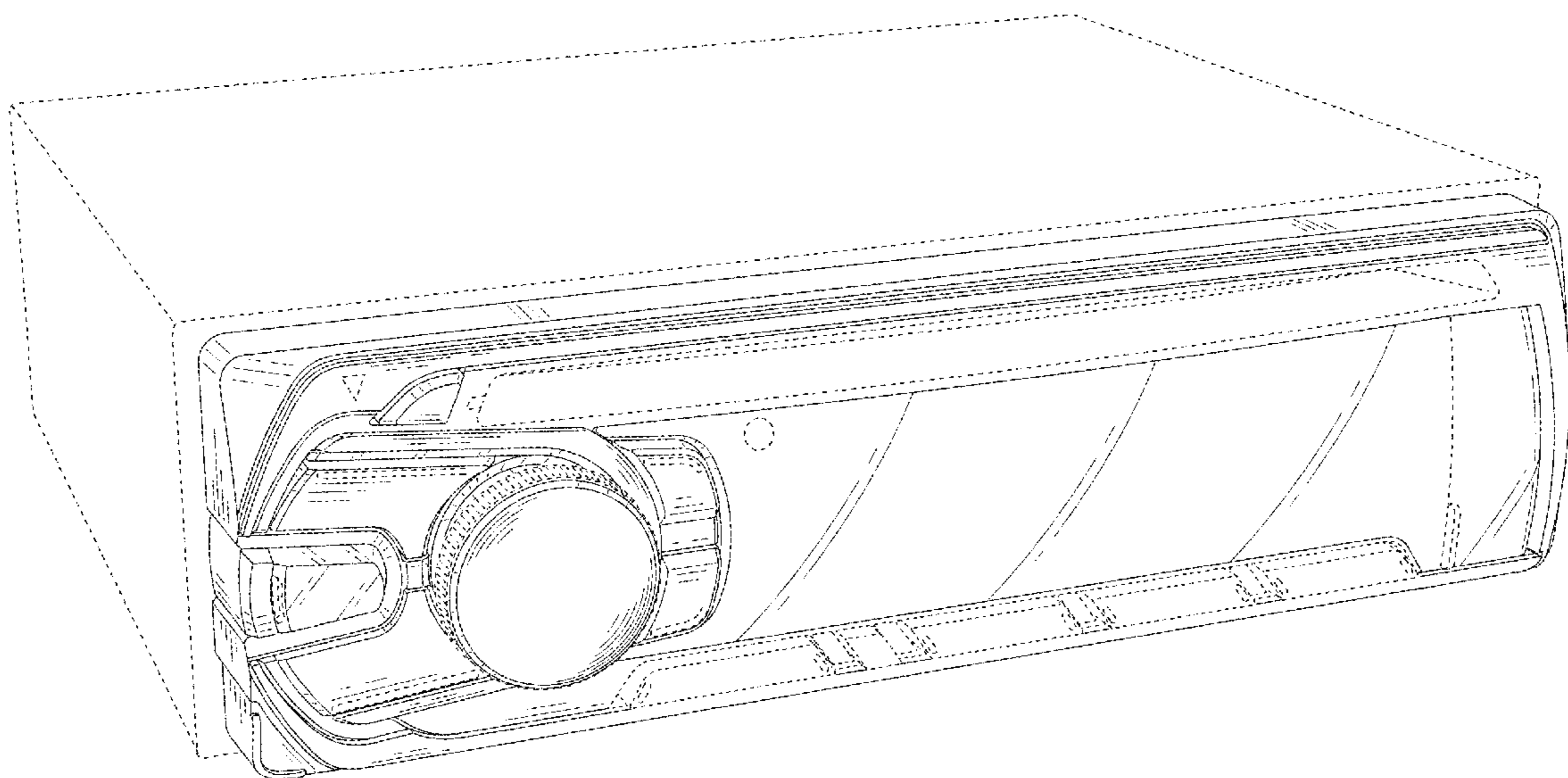
The ornamental design for digital audio disc player for automobile, as shown and described.

**DESCRIPTION**

FIG. 1 is a perspective view of front, left and top of digital audio disc player for automobile showing my new design; FIG. 2 is a front view thereof; FIG. 3 is a rear view thereof; FIG. 4 is a left side view thereof; FIG. 5 is a right side view thereof; FIG. 6 is a top view thereof; and, FIG. 7 is a bottom view thereof.

The broken lines shown are included for the purpose of illustrating the unclaimed portions of digital audio disc player for automobile and form no part of the claimed design.

**1 Claim, 5 Drawing Sheets**



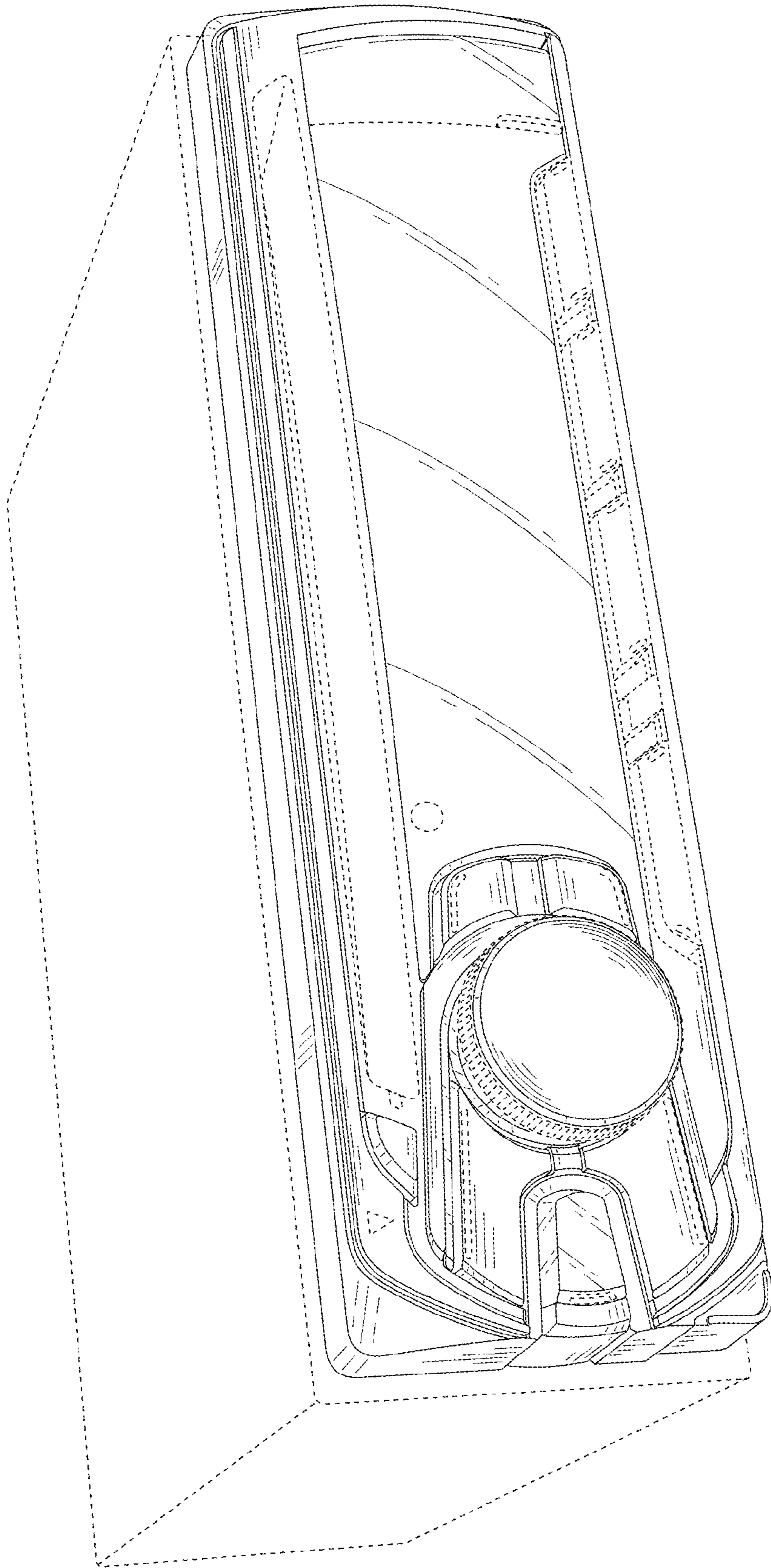


FIG. 1

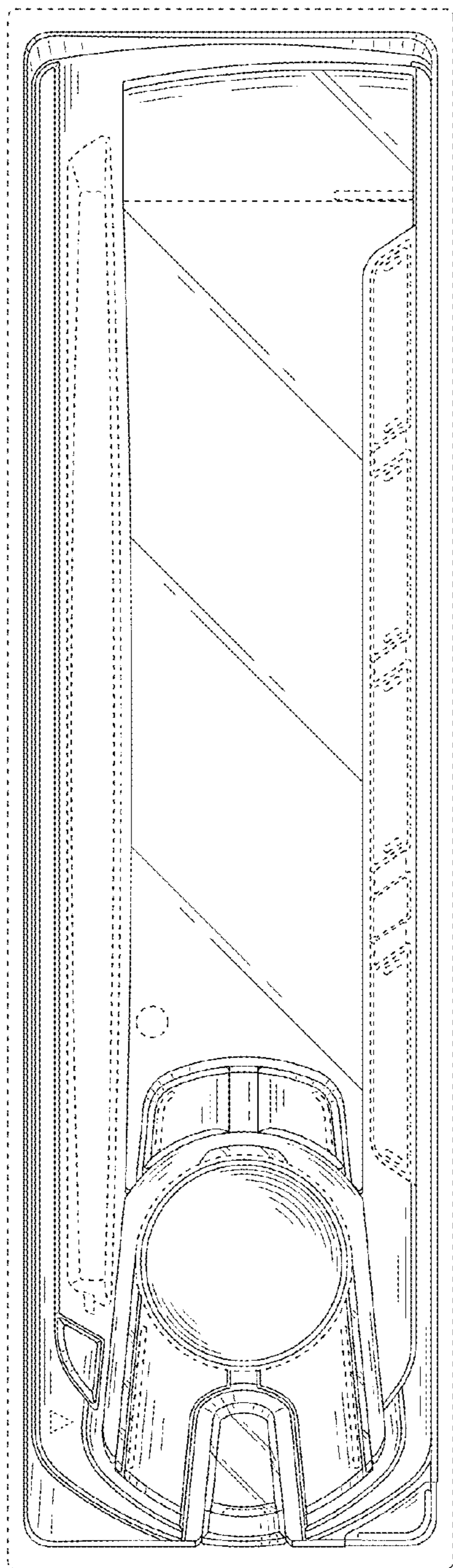


FIG. 2



FIG. 3



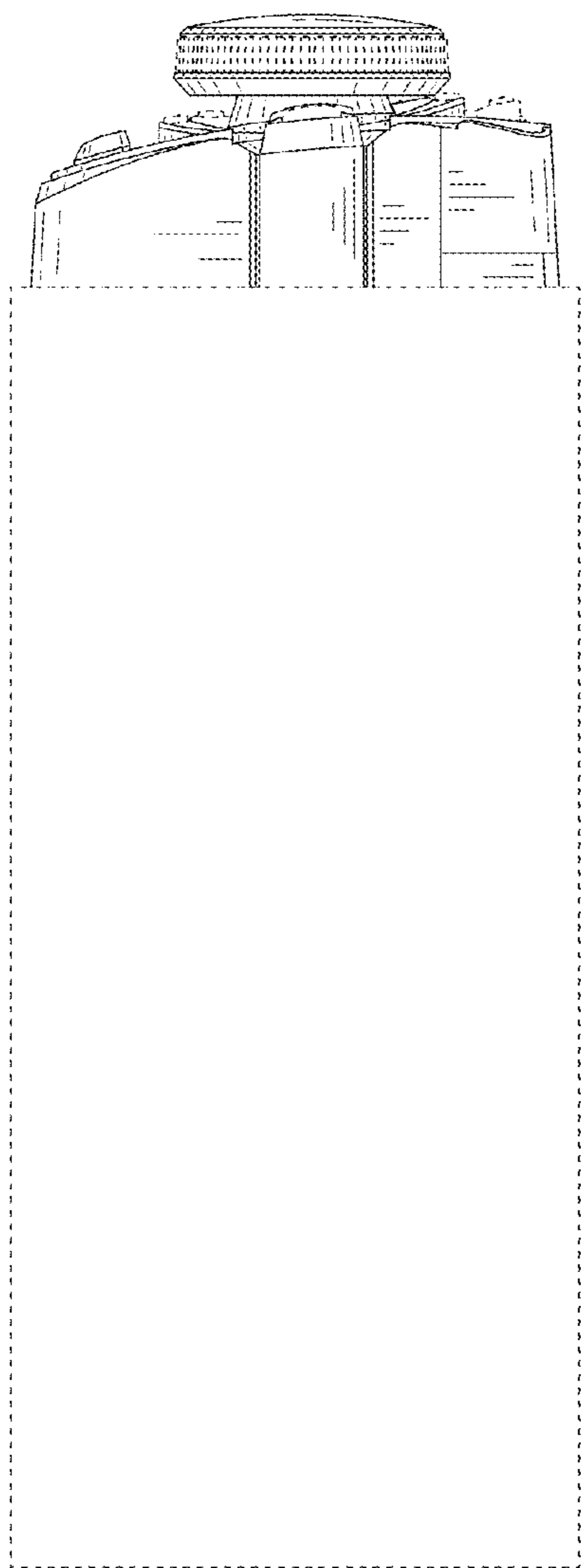


FIG. 4



FIG. 5

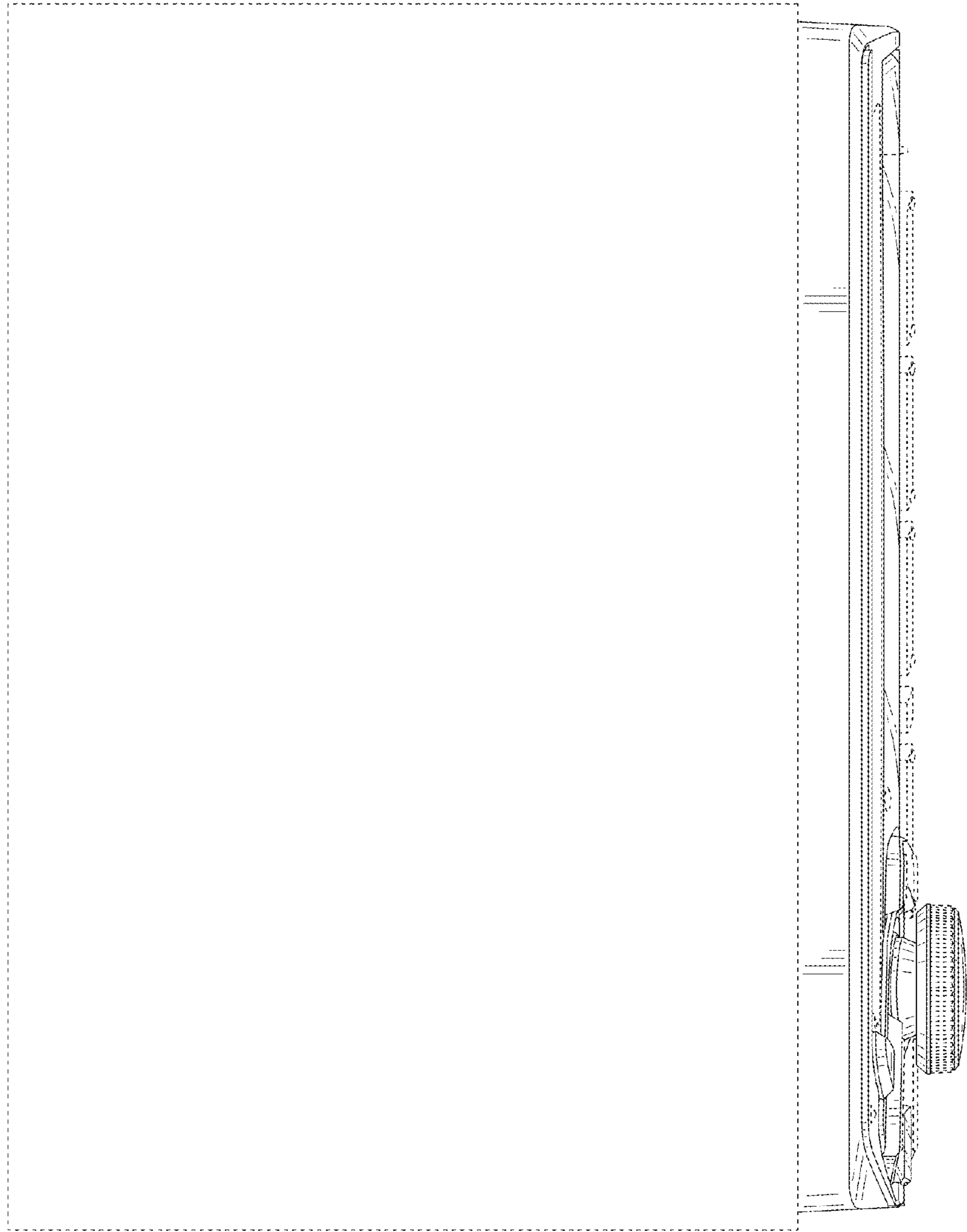


FIG. 6

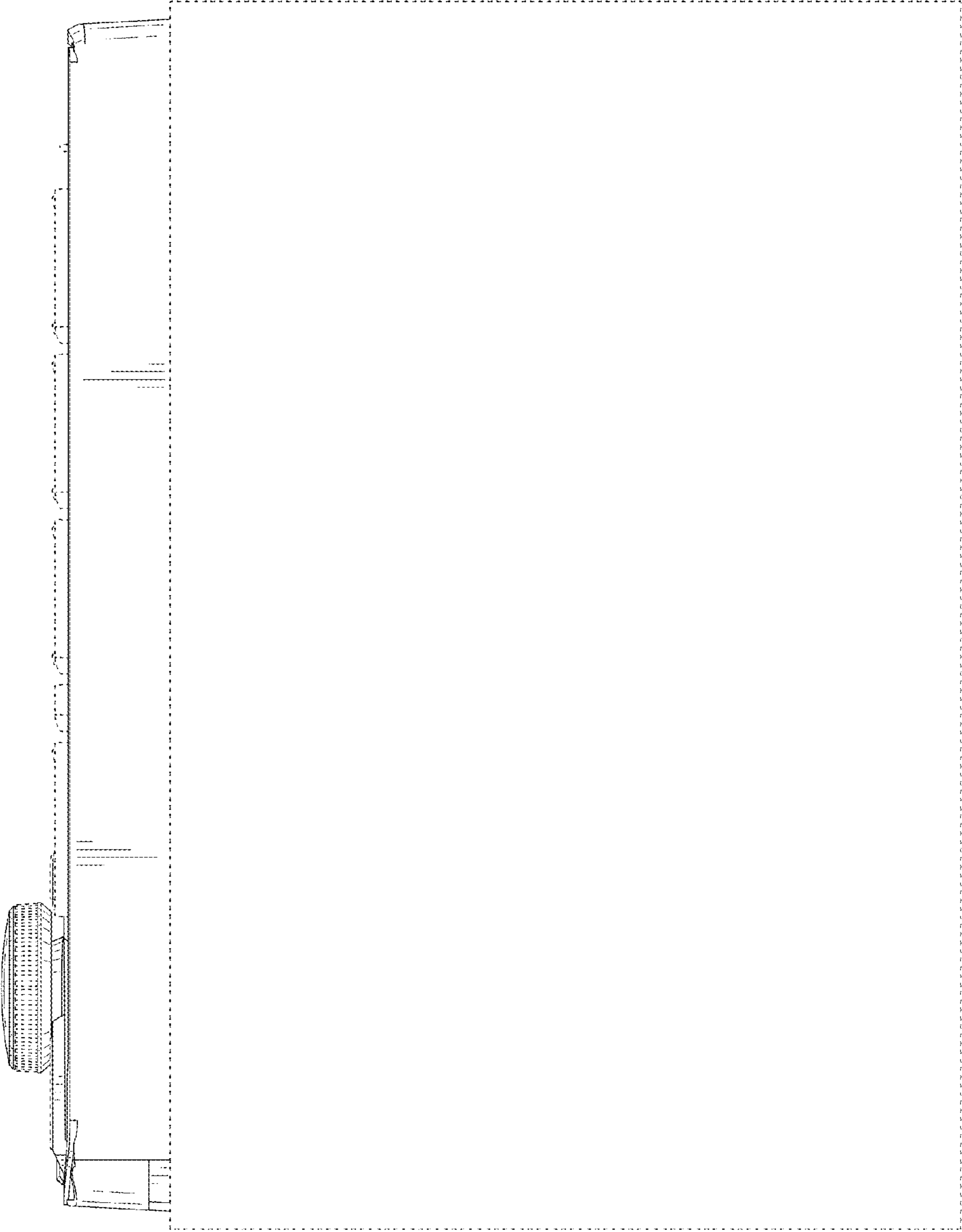


FIG. 7