



US00D718298S

(12) **United States Design Patent**
Aspinall et al.

(10) **Patent No.:** **US D718,298 S**
(45) **Date of Patent:** **** Nov. 25, 2014**

- (54) **MOBILE HOLDER AND MOUNT ASSEMBLY**
- (71) Applicant: **Iottie, Inc.**, Hackensack, NJ (US)
- (72) Inventors: **John Aspinall**, Staten Island, NY (US); **James Byun**, Brooklyn, NY (US); **Kyu Seop Lee**, Basking Ridge, NJ (US); **Alan Yu Tung Ng**, New York, NY (US)
- (73) Assignee: **Iottie, Inc.**, Hackensack, NJ (US)
- (**) Term: **14 Years**
- (21) Appl. No.: **29/487,673**
- (22) Filed: **Apr. 10, 2014**
- (51) **LOC (10) Cl.** **14-03**
- (52) **U.S. Cl.**
USPC **D14/253**
- (58) **Field of Classification Search**
USPC D14/137, 140, 140.8, 142, 204, 209.1, D14/217, 221, 243-256, 434, 440, 444-447, D14/238.1; D8/400-404, 499; D2/861; D3/215, 218, 304, 269; D6/467, 300, D6/310, 553-574; D25/318; 292/342, 343; 248/188.2; 348/373, 376; D12/415, D12/411; D19/87, 90; 455/573, 575.1, 455/575.9

See application file for complete search history.

(56) **References Cited**

U.S. PATENT DOCUMENTS

- D592,205 S * 5/2009 O'Brien D14/253
- D603,322 S * 11/2009 Nicieja D12/415

(Continued)

Primary Examiner — Susan Bennett Hattan

Assistant Examiner — Janice Hallmark

(74) *Attorney, Agent, or Firm* — Lucas & Mercanti LLP

(57) **CLAIM**

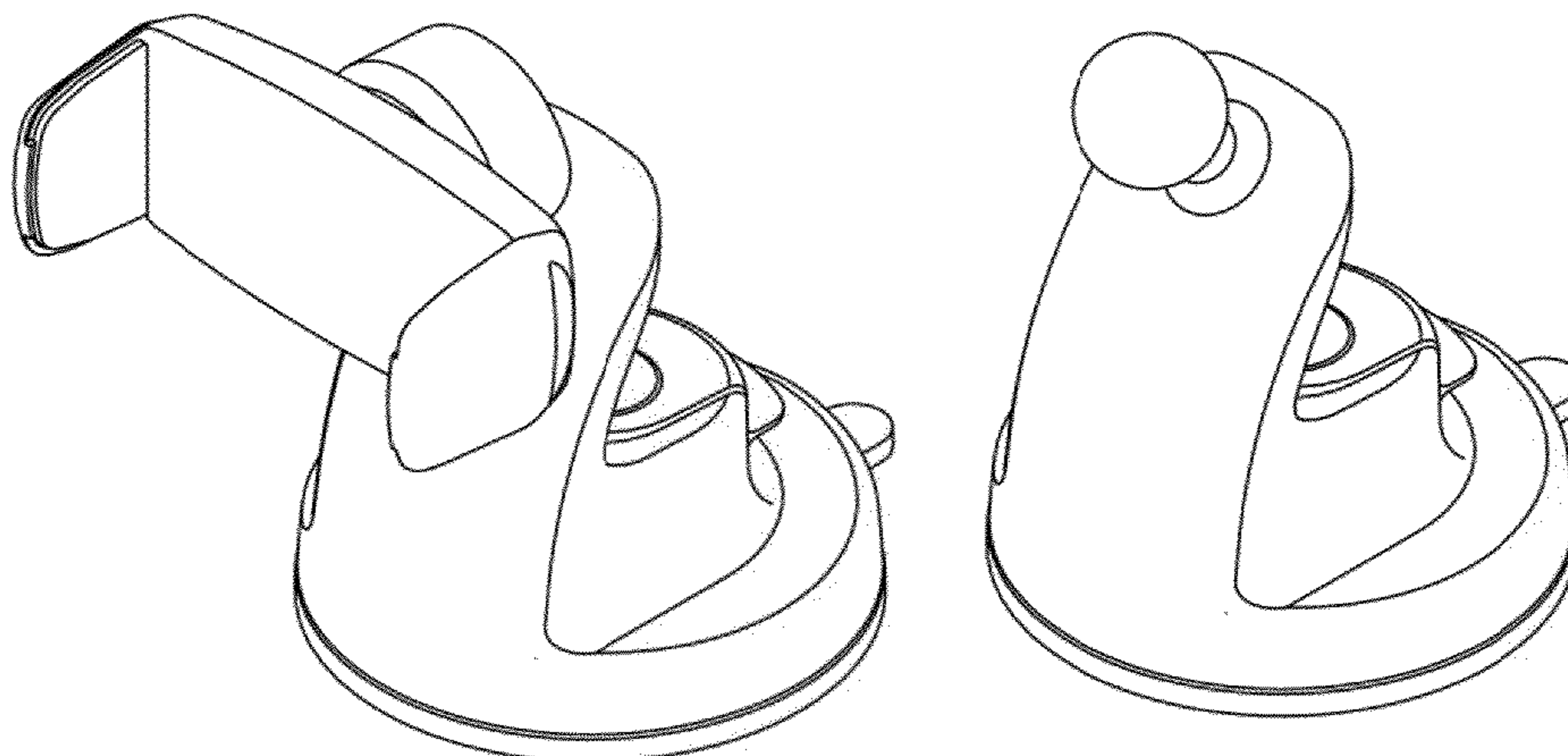
The ornamental design for mobile holder and mount assembly, as shown and described.

DESCRIPTION

FIG. 1 is a perspective view of the top, front, and right side of a mobile mount and holder of the present invention;

FIG. 2 is a perspective view of the top, rear, and right side of the mobile mount and holder of FIG. 1;
 FIG. 3 is a perspective view of a front and a right side of the mobile mount and holder of FIG. 1;
 FIG. 4 is a perspective view of a front and a left side of the mobile mount and holder of FIG. 1;
 FIG. 5 is a side view of the left side of the mobile mount and holder of FIG. 1;
 FIG. 6 is a front view of the mobile mount and holder of FIG. 1;
 FIG. 7 is a top view of the mobile mount and holder of FIG. 1;
 FIG. 8 is a rear view of the mobile mount and holder of FIG. 1;
 FIG. 9 is a side view of the right side of the mobile mount and holder of FIG. 1;
 FIG. 10 is a bottom view of the mobile mount and holder of FIG. 1;
 FIG. 11 is a perspective view of the top, front, and right side of the holder according to FIG. 1;
 FIG. 12 is a perspective view of the top, rear, and right side of the holder of FIG. 1;
 FIG. 13 is a perspective view of a front and a right side of the holder of FIG. 1;
 FIG. 14 is a perspective view of a front and a left side of the holder of FIG. 1;
 FIG. 15 is a side view of the left side of the holder of FIG. 1;
 FIG. 16 is a front view of the holder of FIG. 1;
 FIG. 17 is a top view of the holder of FIG. 1;
 FIG. 18 is a rear view of the holder of FIG. 21;
 FIG. 19 is a side view of the right side of the holder of FIG. 21;
 FIG. 20 is a bottom view of the holder of FIG. 21;
 FIG. 21 is a perspective view of the top, front, and right side of the holder according to FIG. 1;
 FIG. 22 is a perspective view of the top, rear, and right side of the holder of FIG. 21;
 FIG. 23 is a perspective view of a front and a right side of the holder of FIG. 21;
 FIG. 24 is a perspective view of a front and a left side of the holder of FIG. 21;
 FIG. 25 is a front view of the holder of FIG. 21;
 FIG. 26 is a side view of the left side of the holder of FIG. 21;
 FIG. 27 is a top view of the holder of FIG. 21;
 FIG. 28 is a rear view of the holder of FIG. 21;
 FIG. 29 is a side view of the right side of the holder of FIG. 21;
 FIG. 30 is a bottom view of the holder of FIG. 31;
 FIG. 31 is a front view of the holder of FIG. 21 with side arms extended; and,
 FIG. 32 is a perspective view of the top, front, and right side of the holder of FIG. 21 with side arms extended.
 The parts not shown on the rear side of the holder in the extended state form no part of the claimed design.

1 Claim, 16 Drawing Sheets



US D718,298 S

Page 2

(56)

References Cited

U.S. PATENT DOCUMENTS

D614,613 S * 4/2010 Kim et al. D14/253
D650,372 S * 12/2011 Molter D14/239
8,091,843 B2 * 1/2012 Tsai 248/206.2
D654,119 S * 2/2012 Lin D21/333

D654,120 S * 2/2012 Lin D21/333
D683,724 S * 6/2013 Wada D14/251
D708,603 S * 7/2014 Kim D14/253
2005/0236536 A1 * 10/2005 Fan 248/176.3
2014/0145051 A1 * 5/2014 Gwag 248/298.1

* cited by examiner

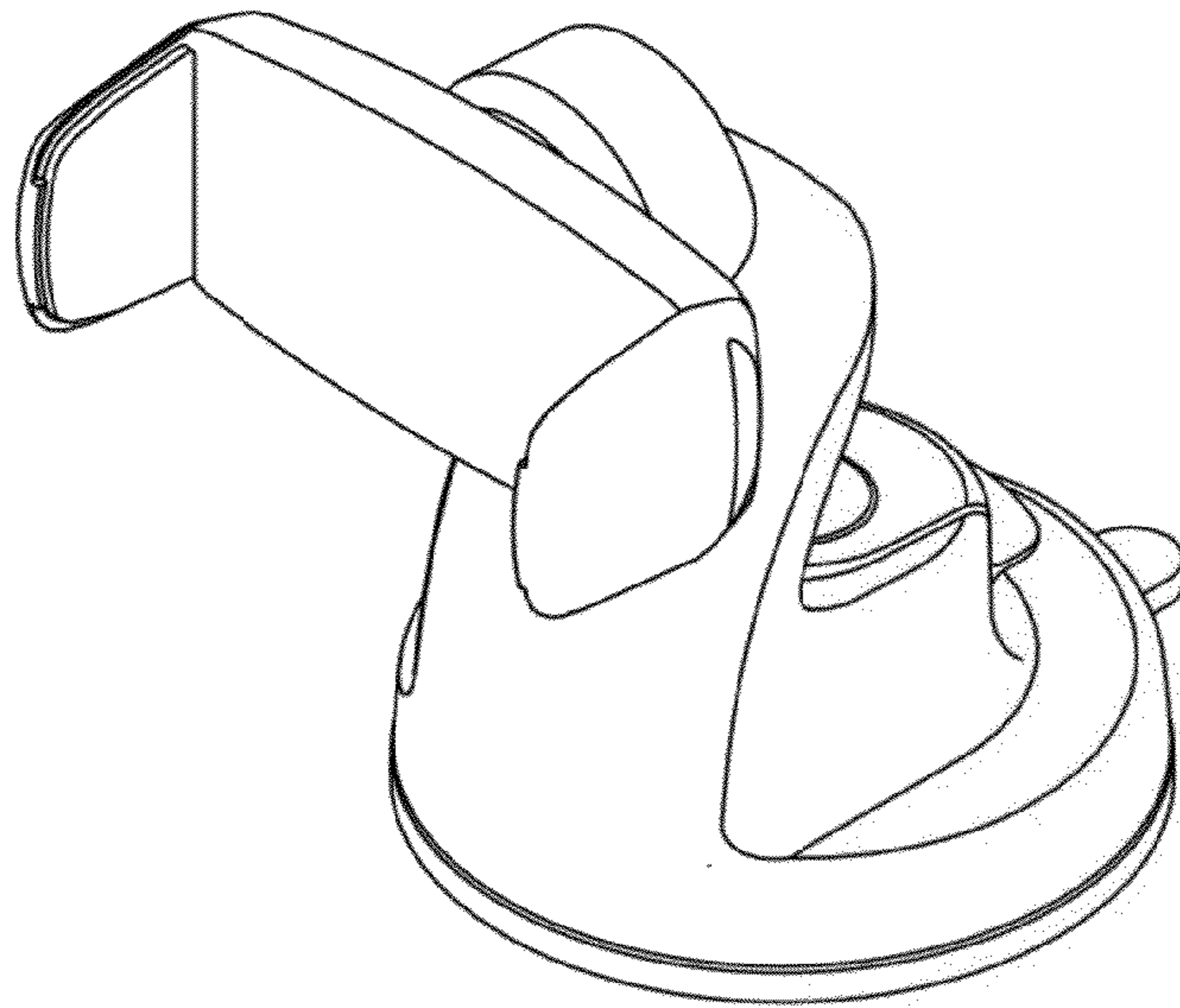


Fig. 1

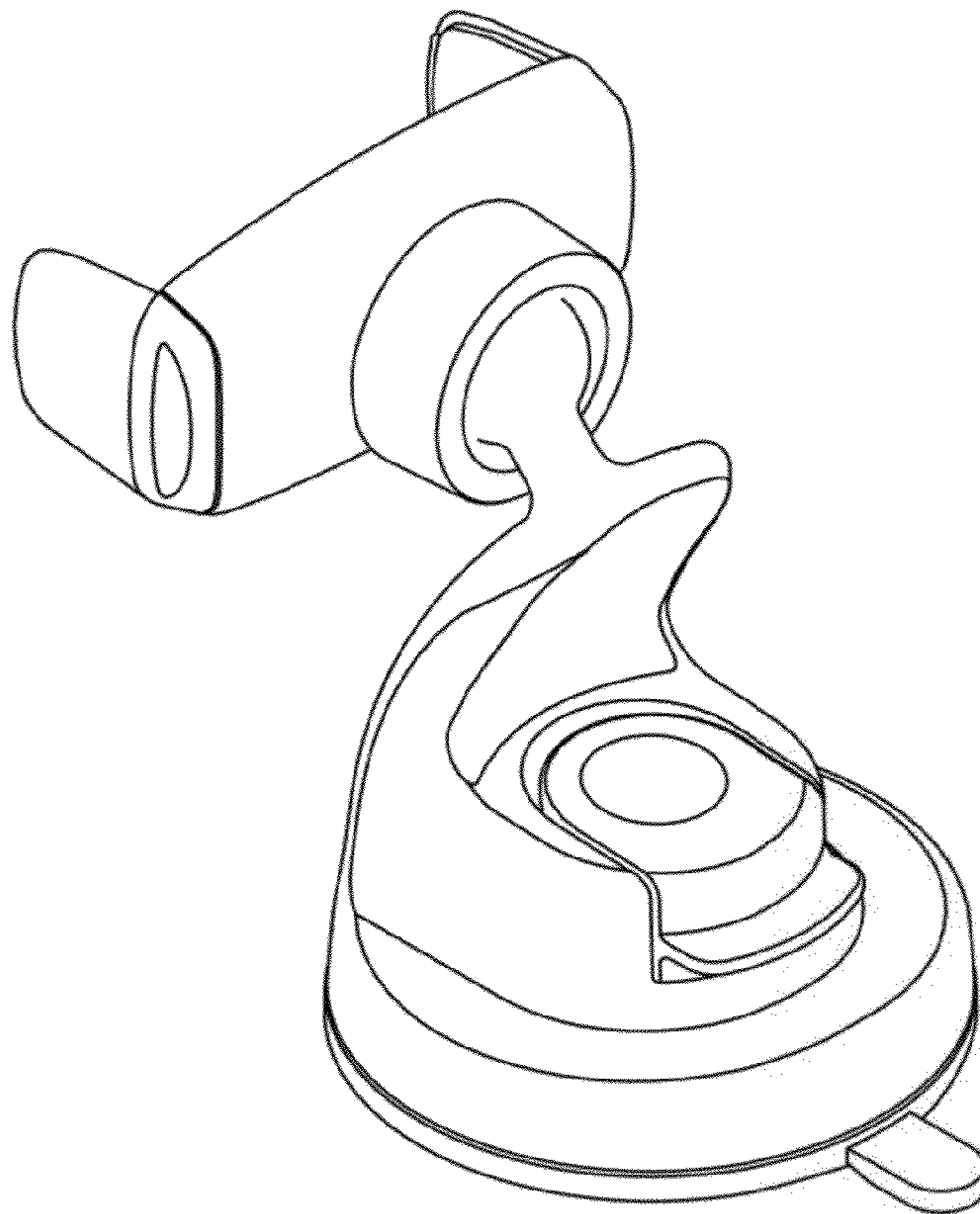


Fig. 2

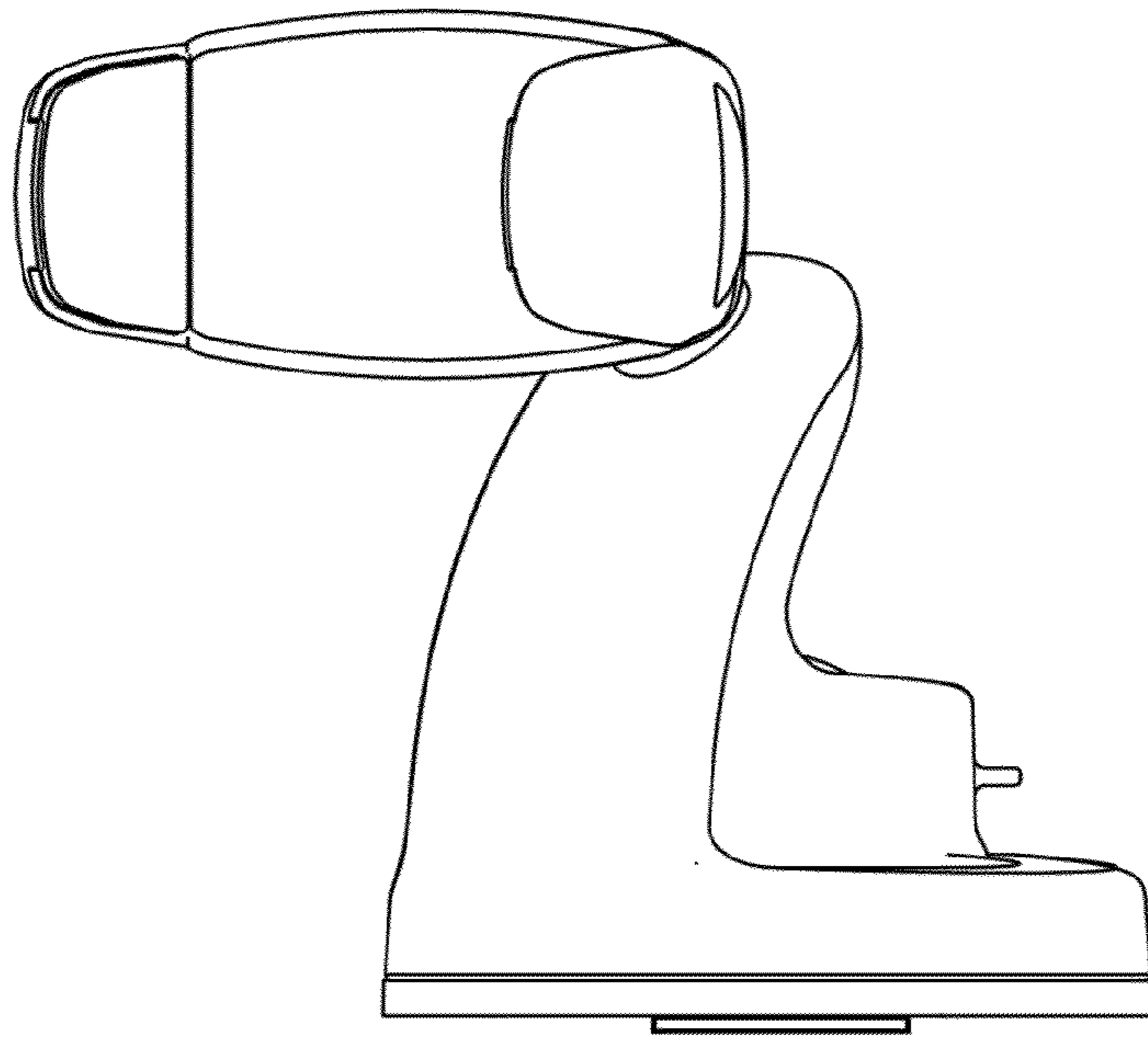


Fig. 3

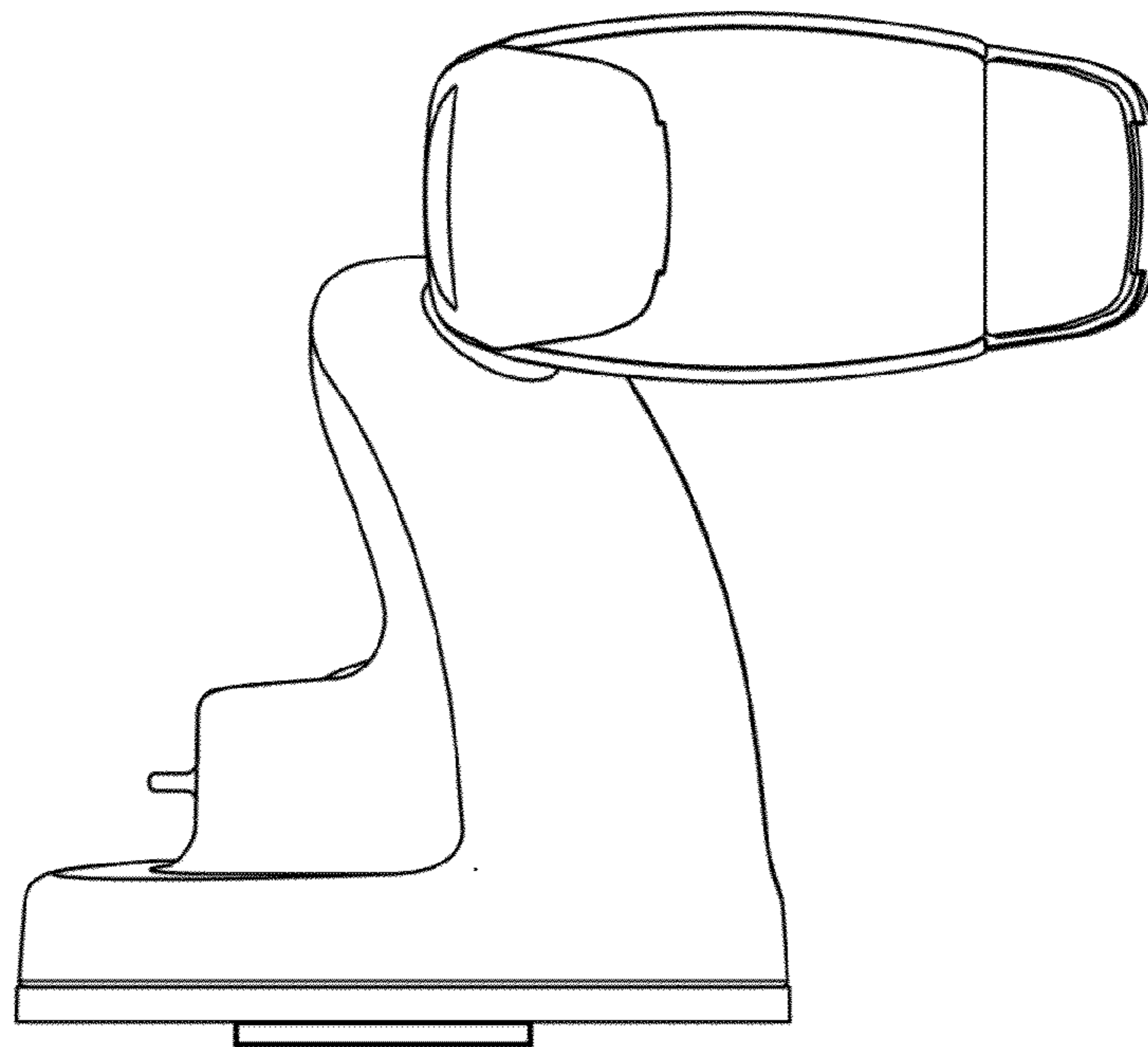


Fig. 4

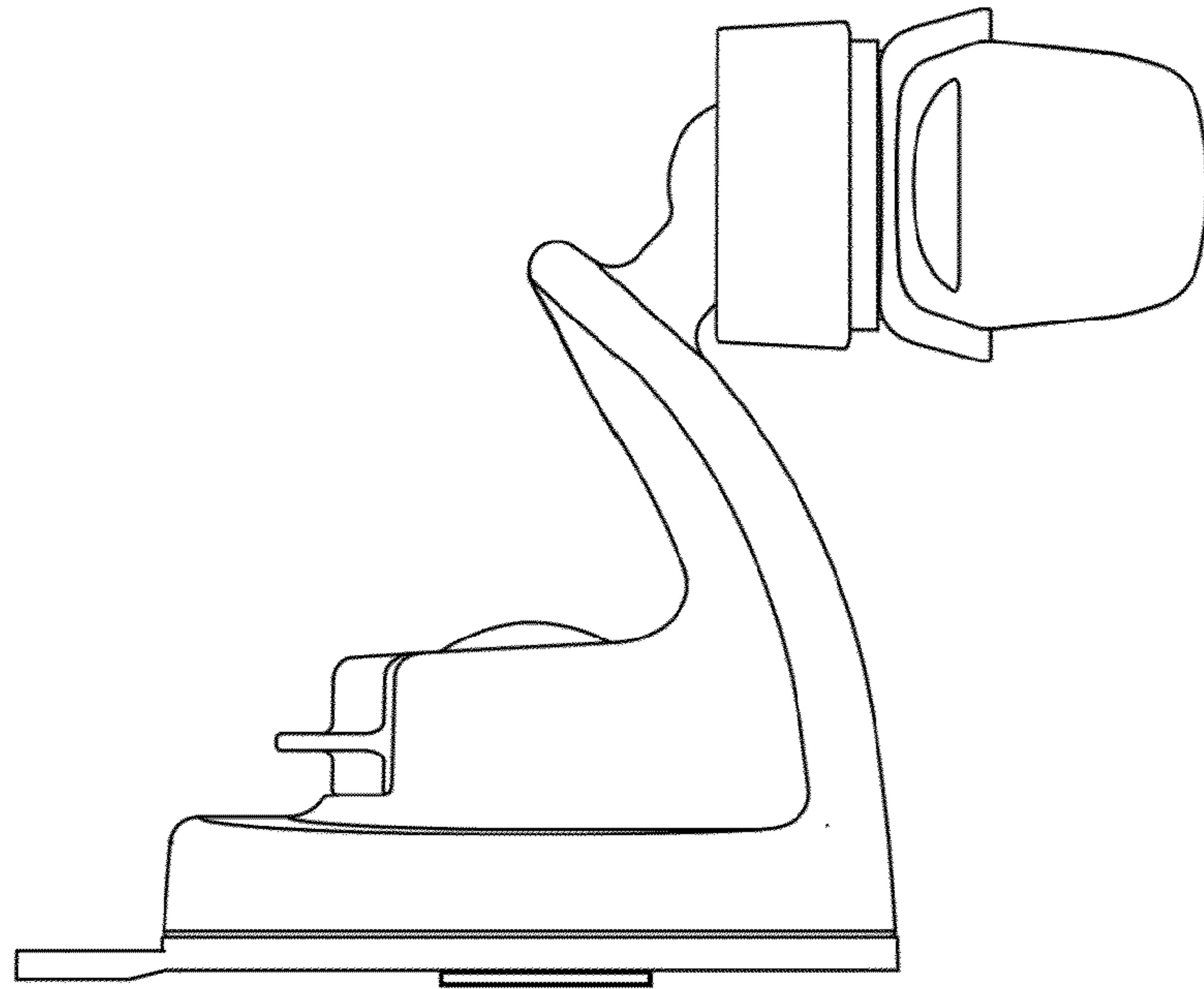


Fig. 5

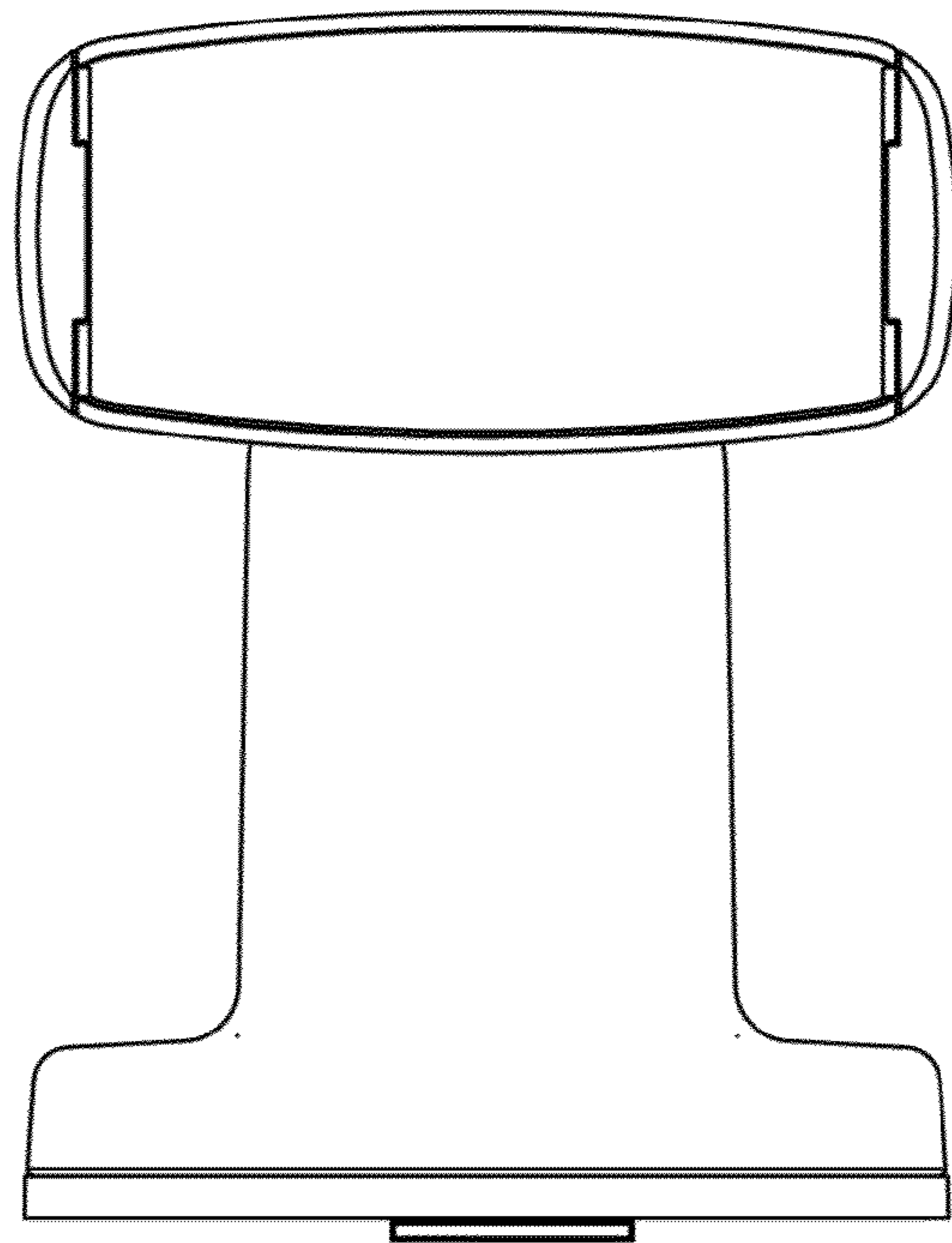


Fig. 6

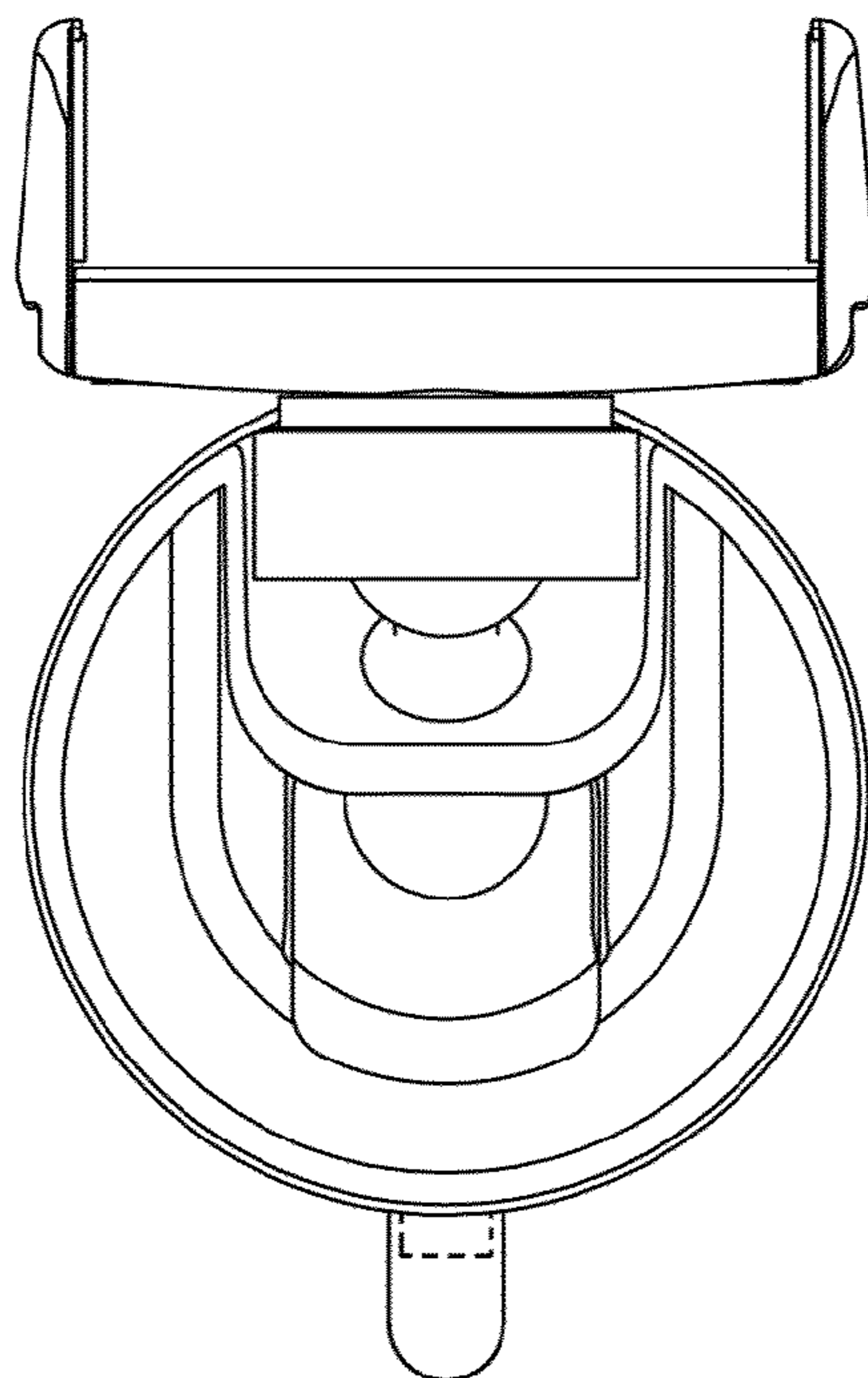


Fig. 7

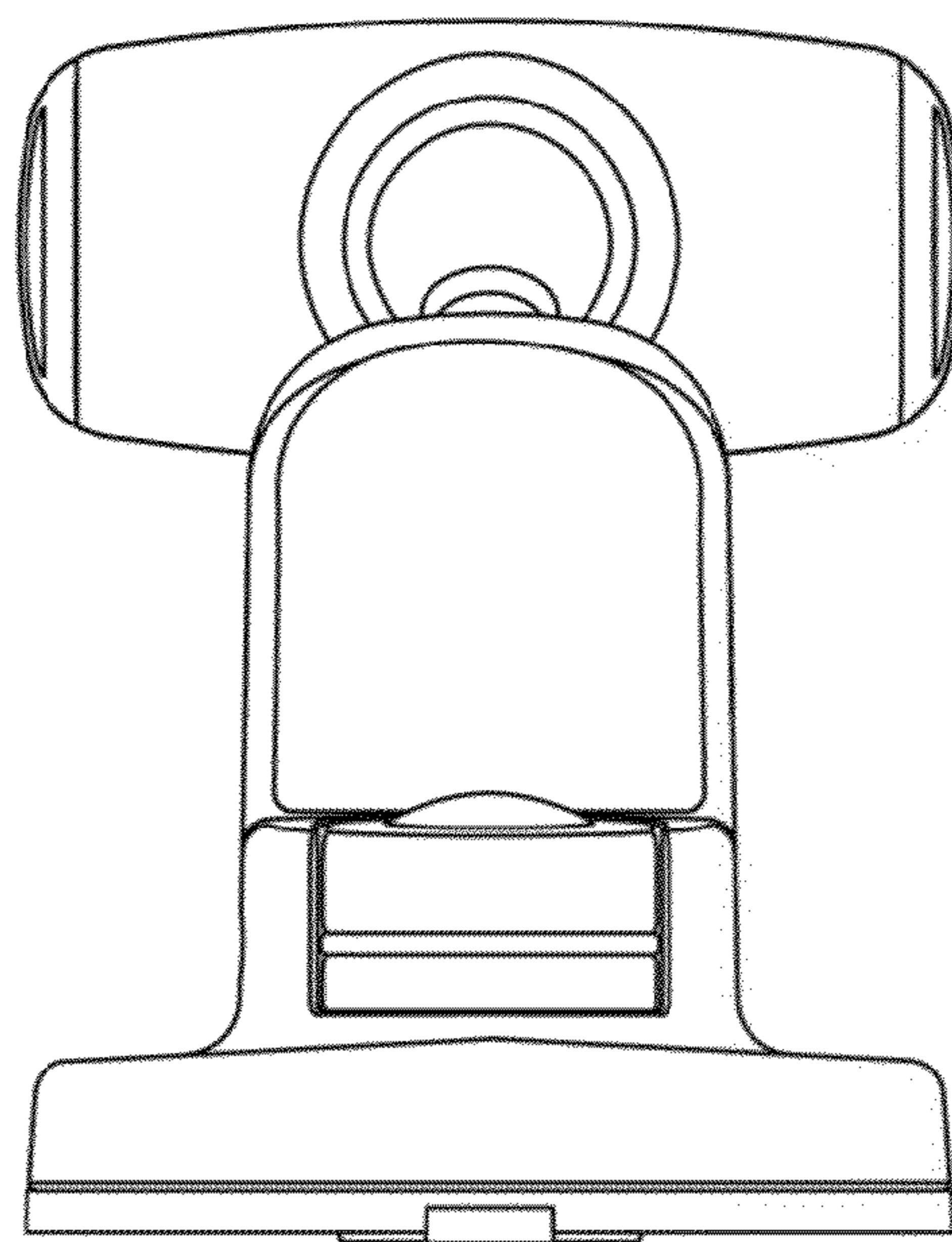


Fig. 8

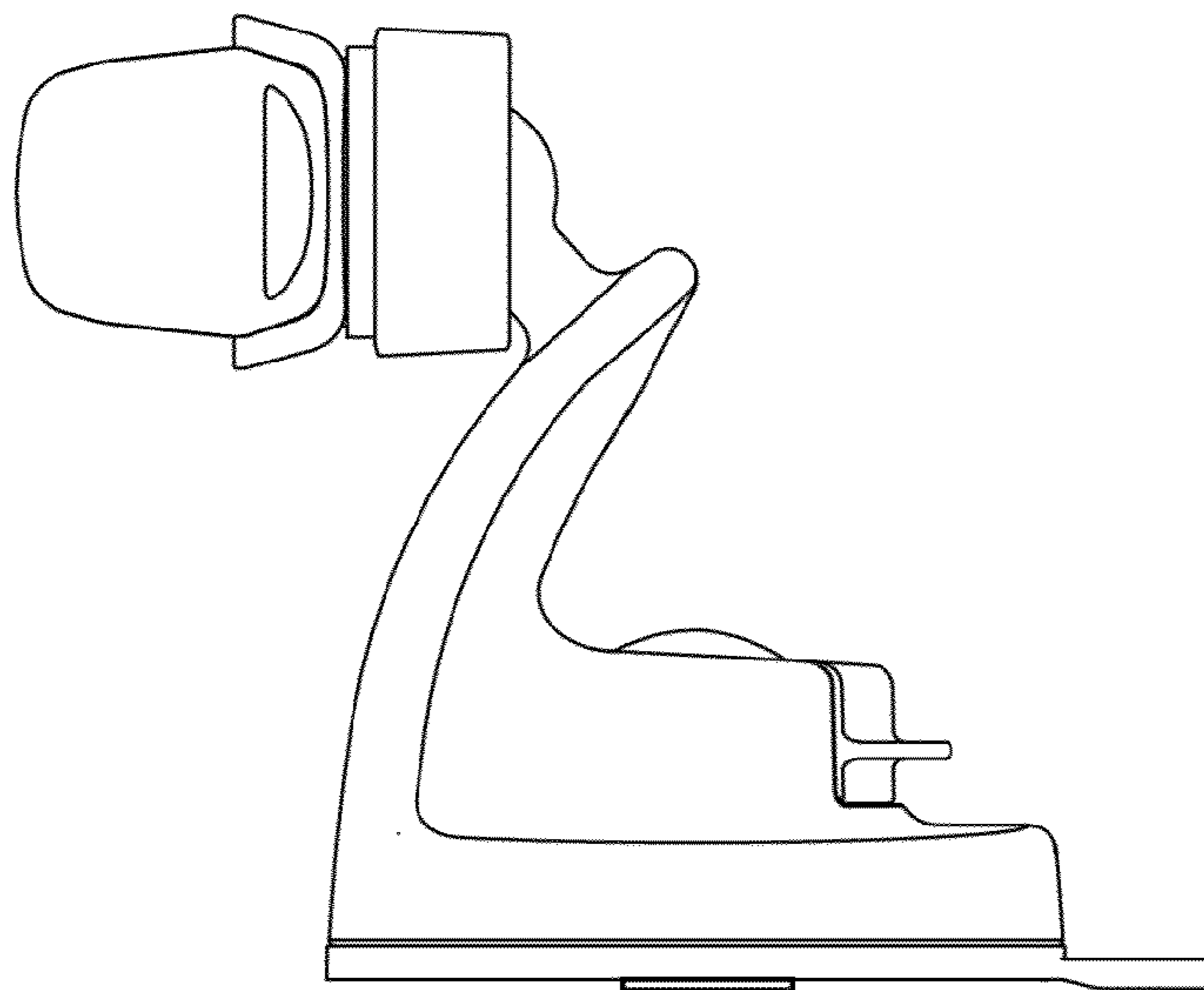


Fig. 9

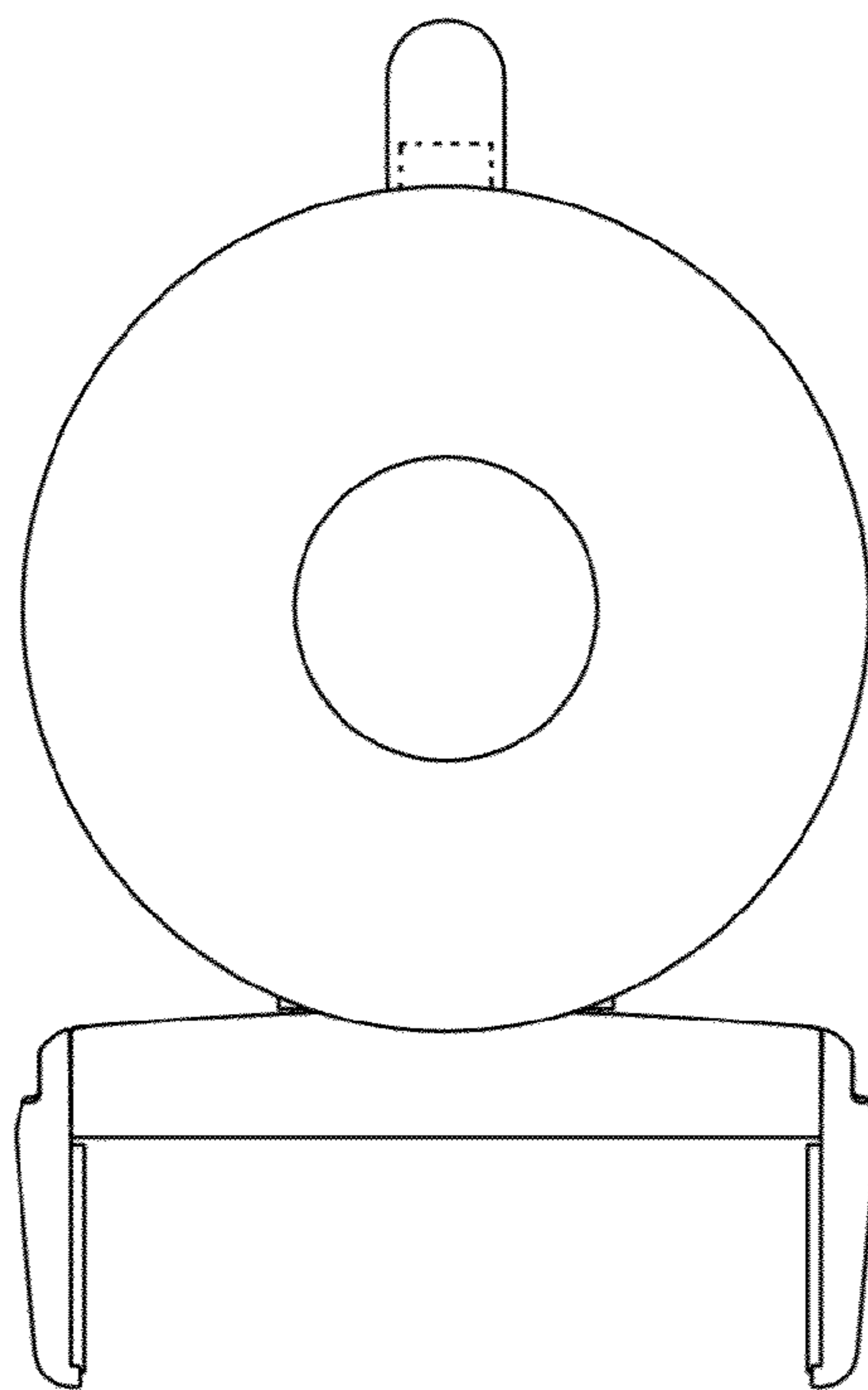


Fig. 10

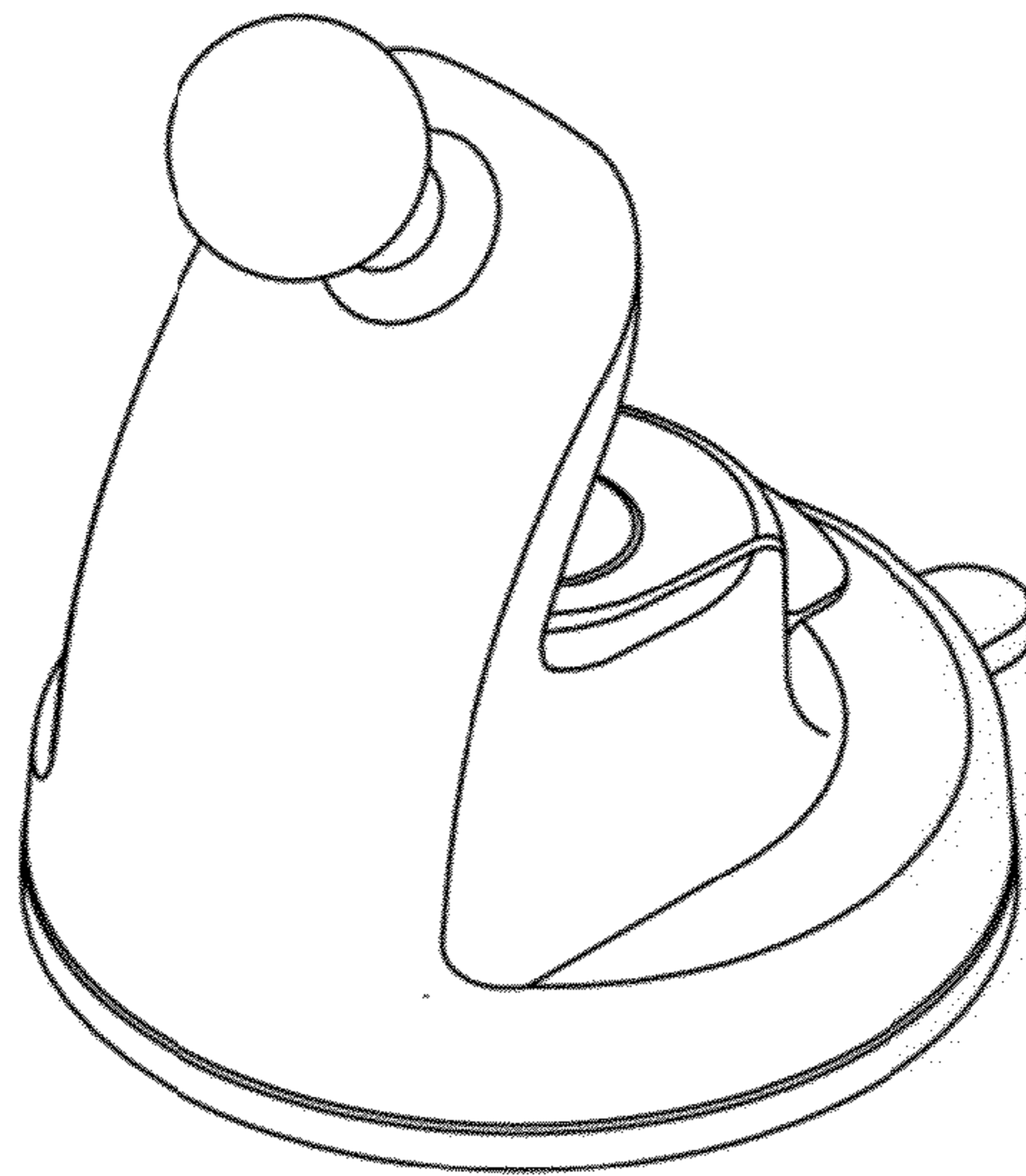


Fig. 11

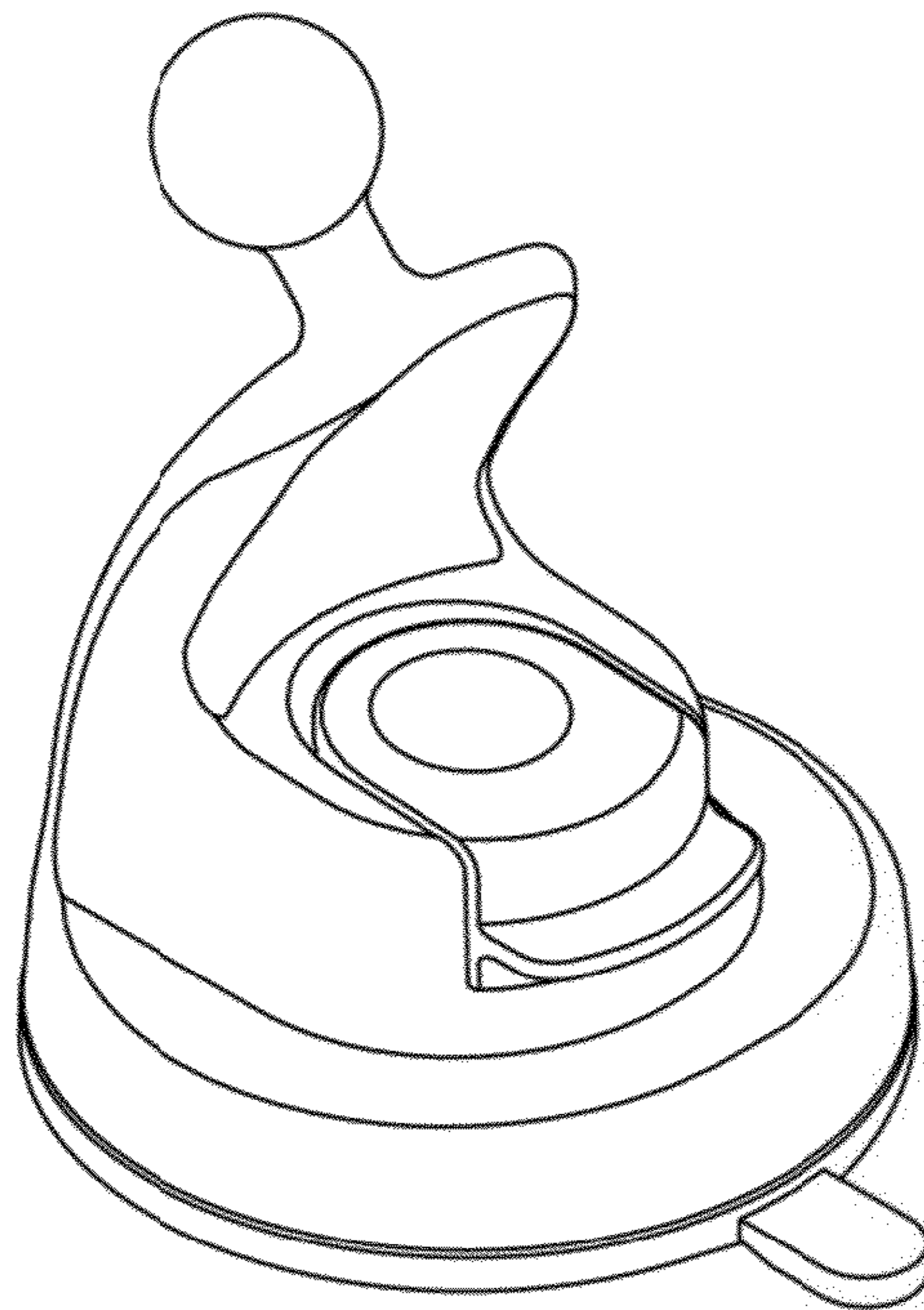


Fig. 12



Fig. 13

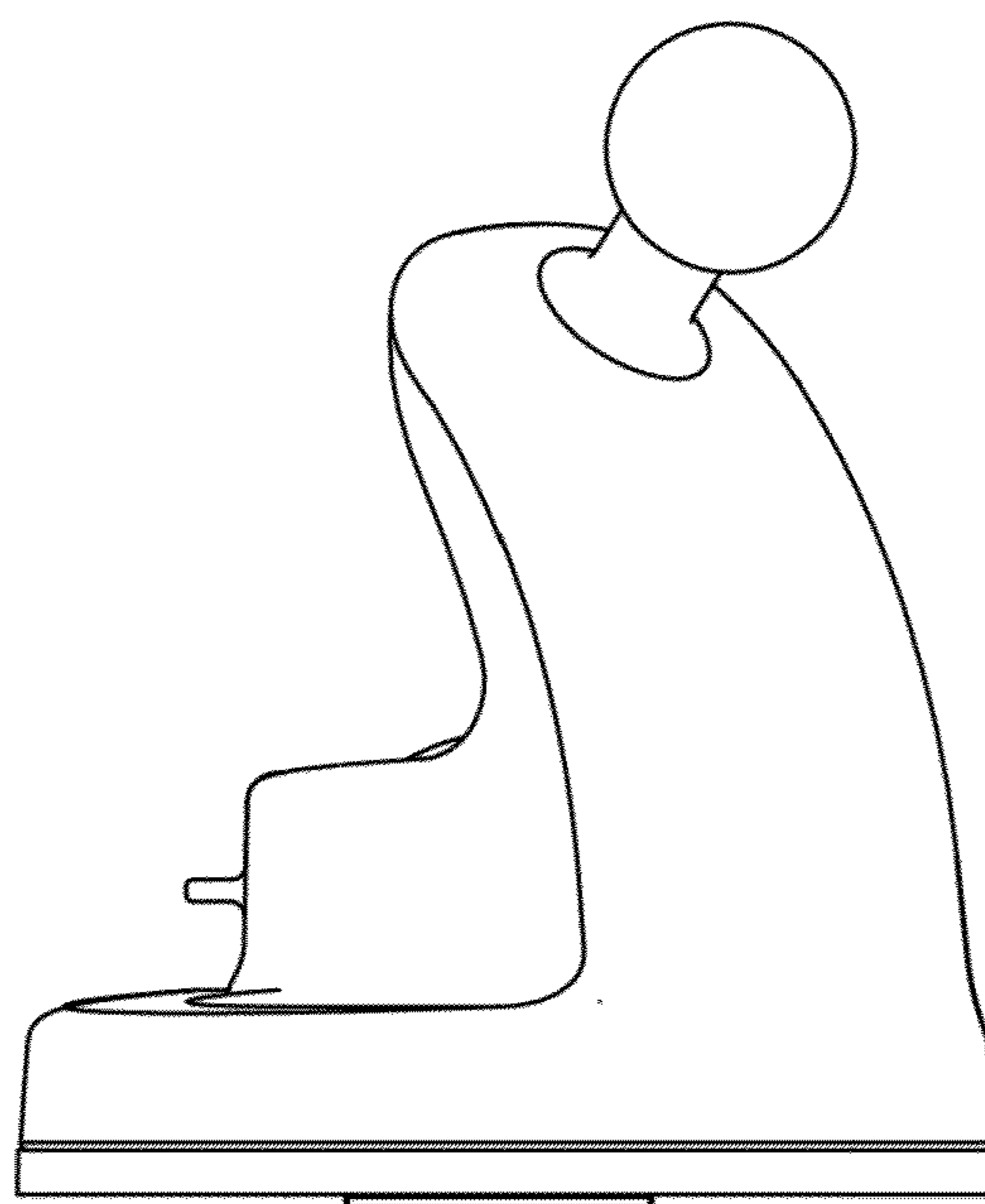


Fig. 14

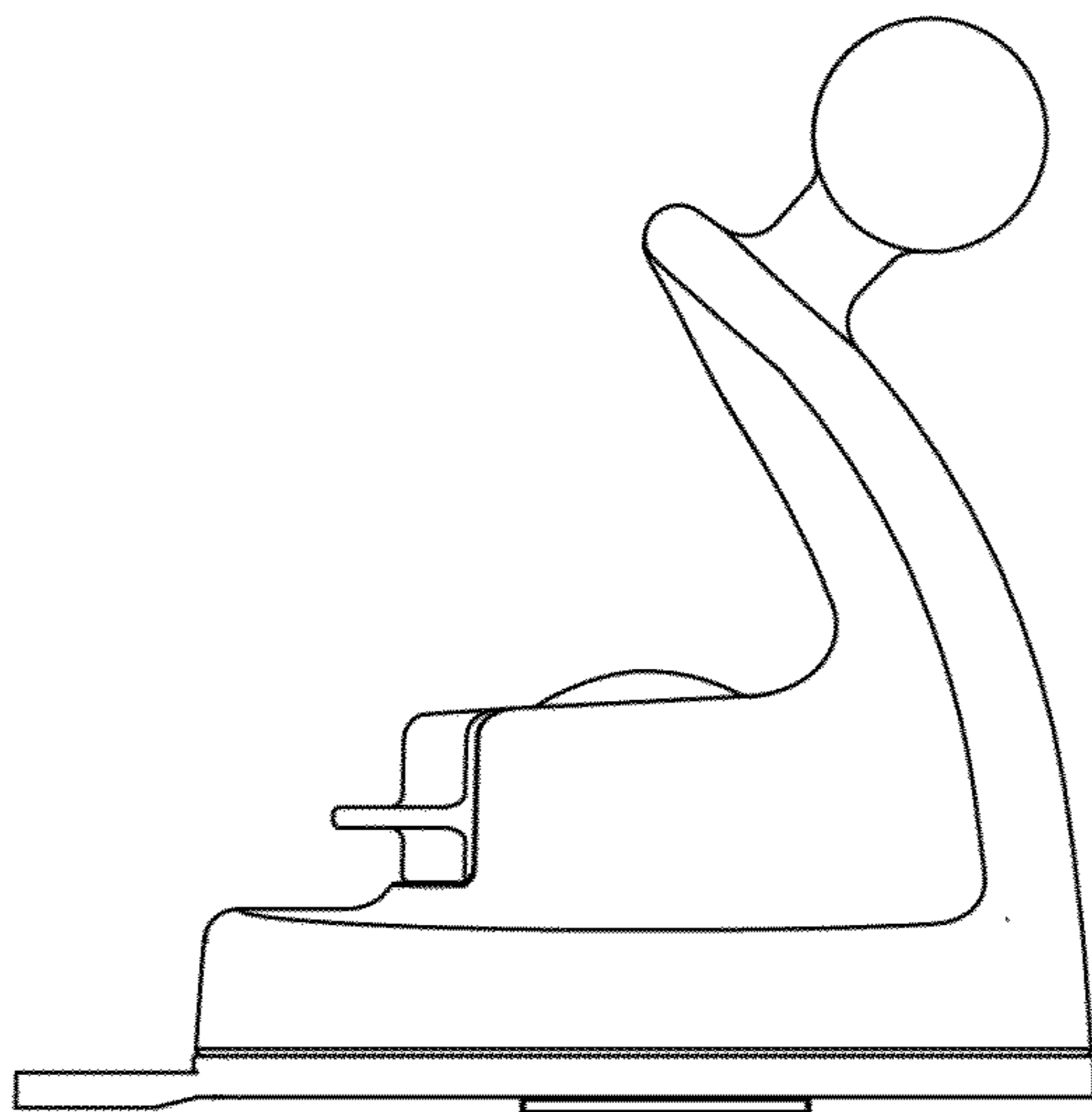


Fig. 15

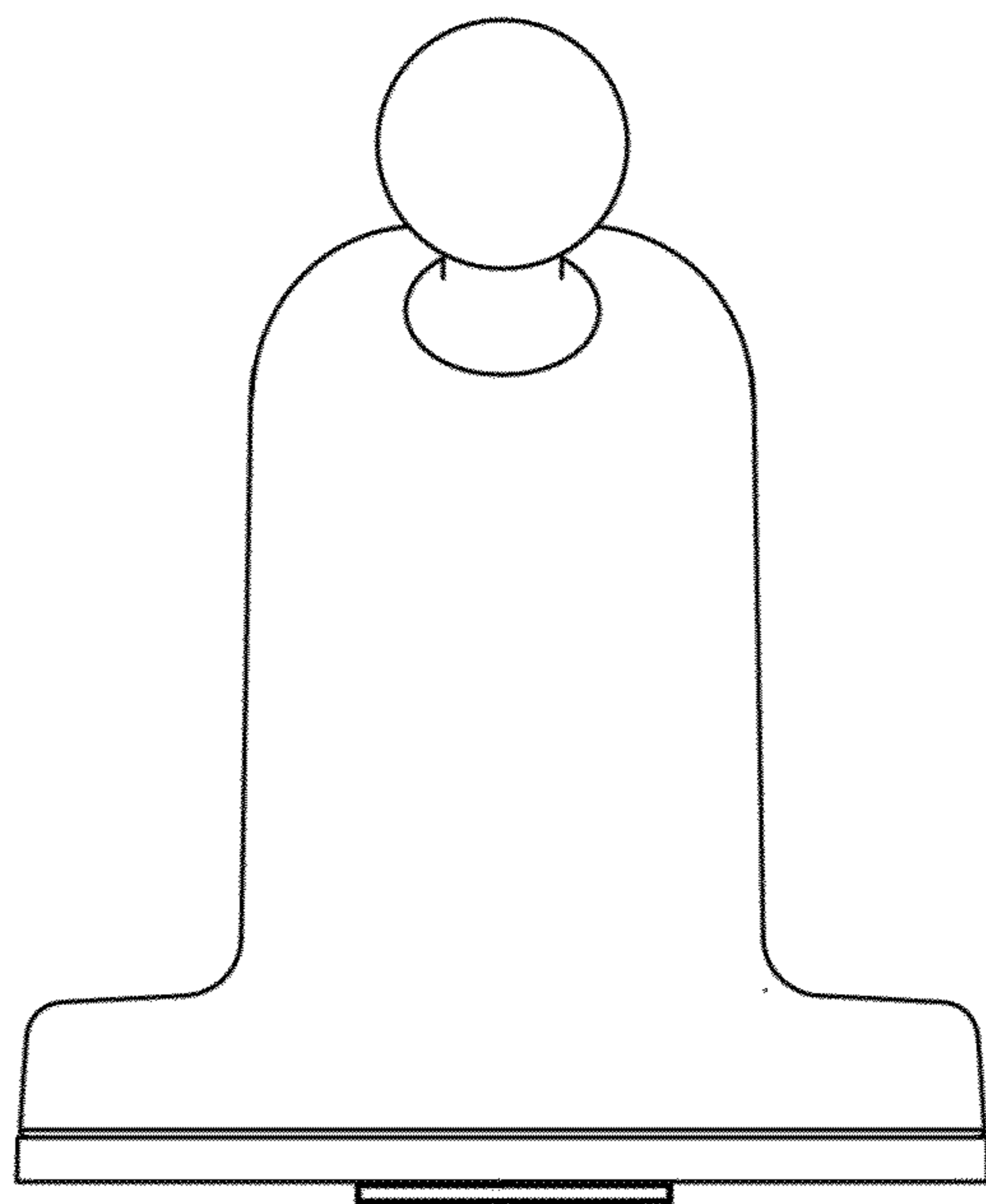


Fig. 16

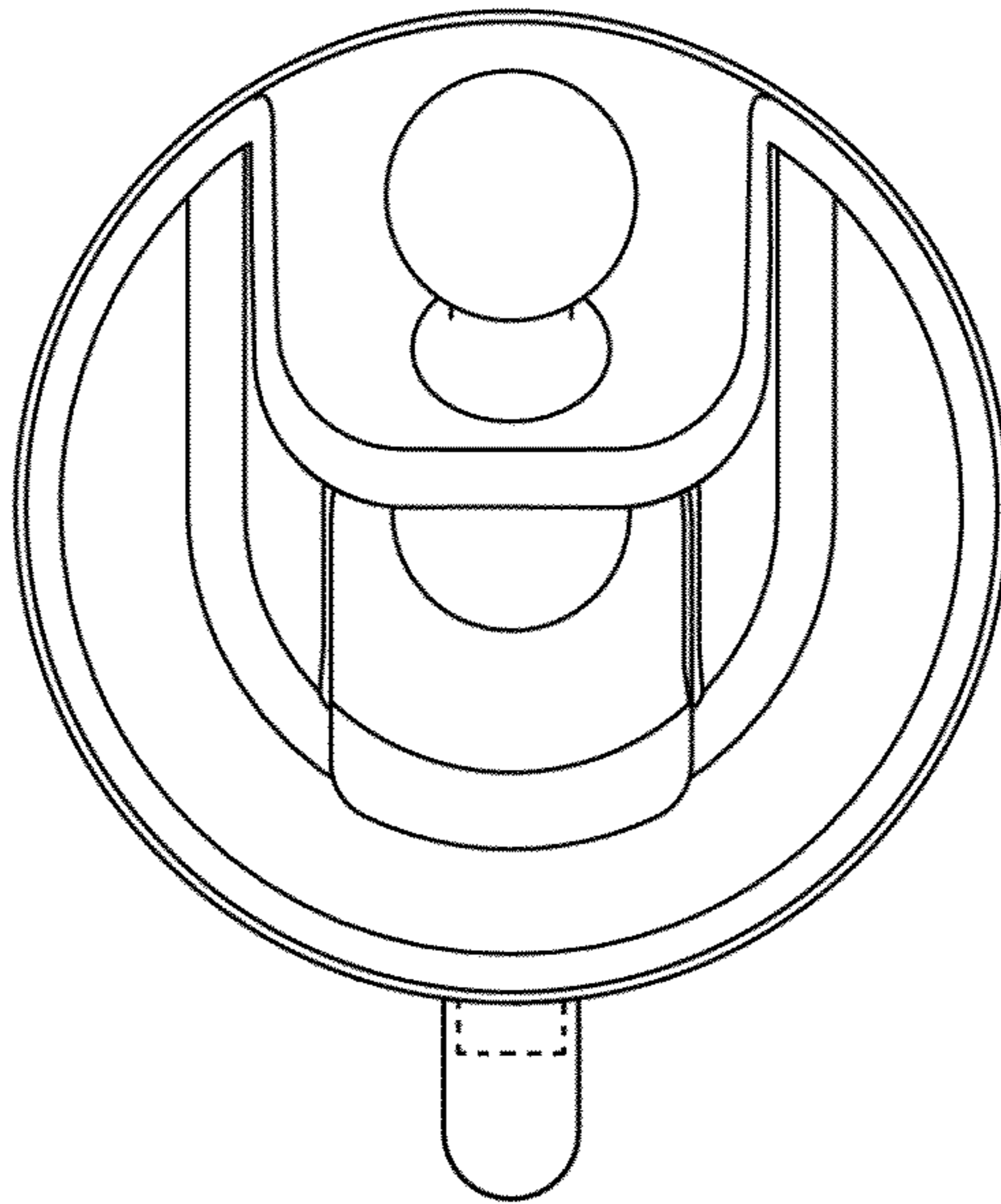


Fig. 17

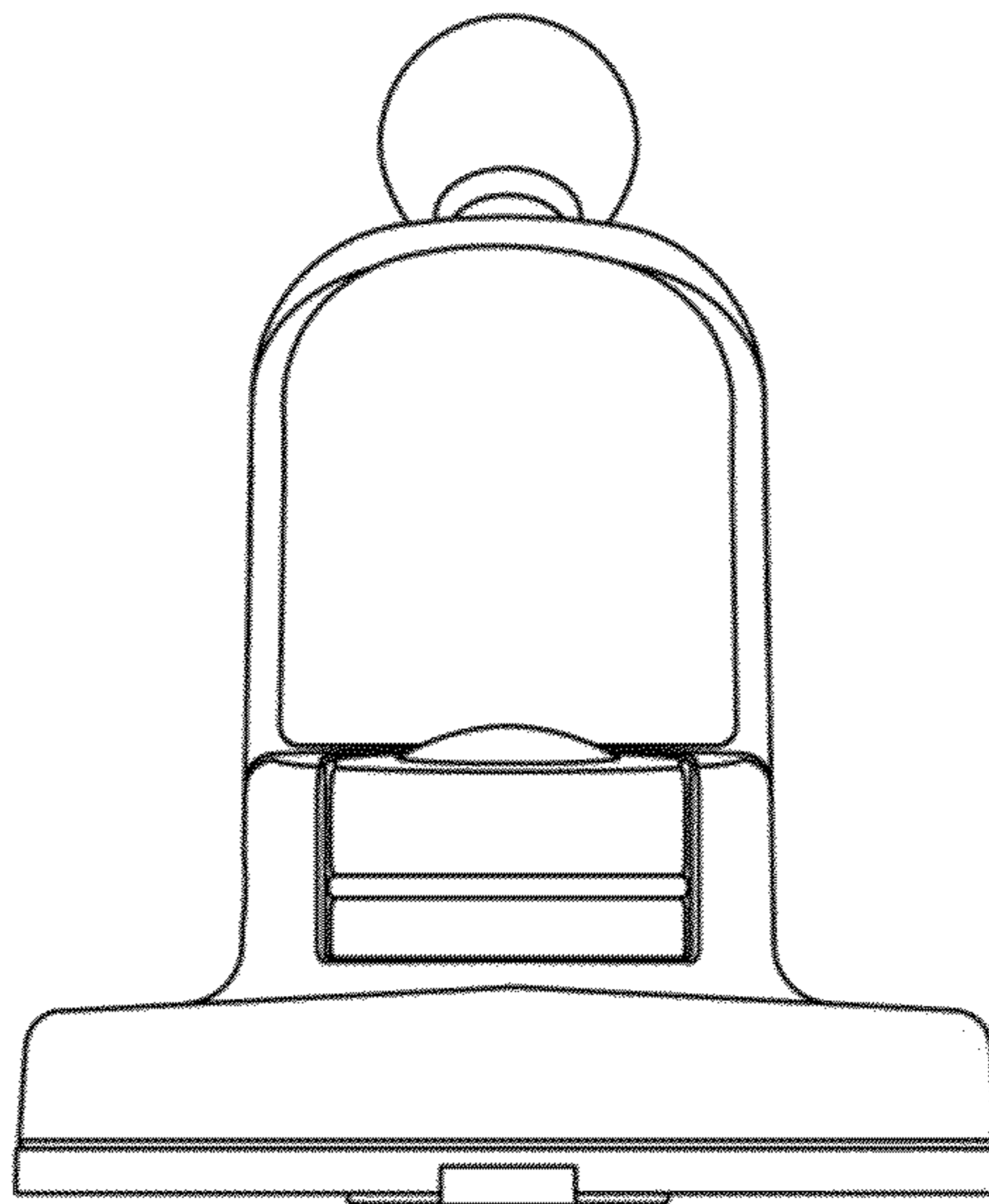


Fig. 18

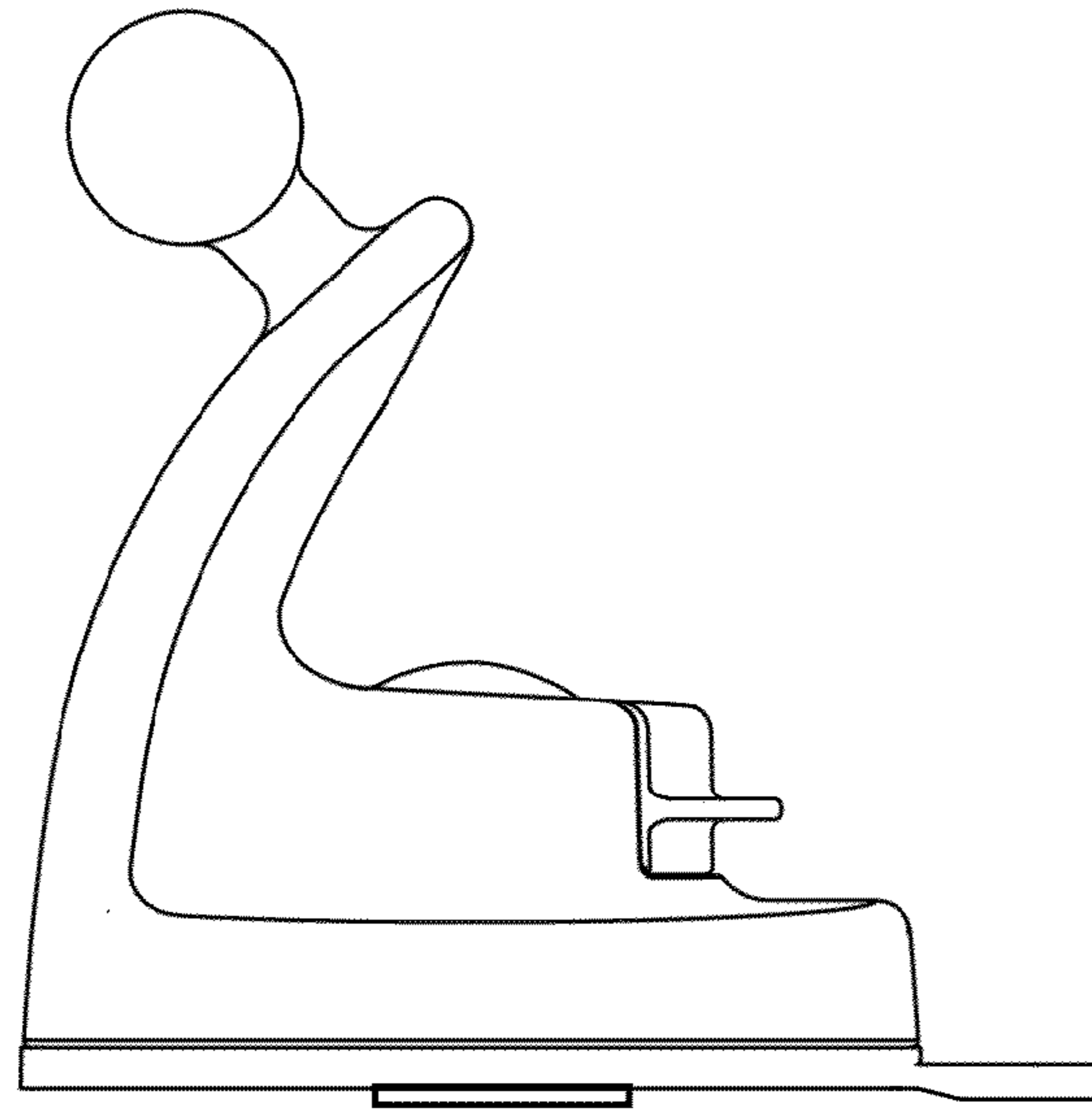


Fig. 19

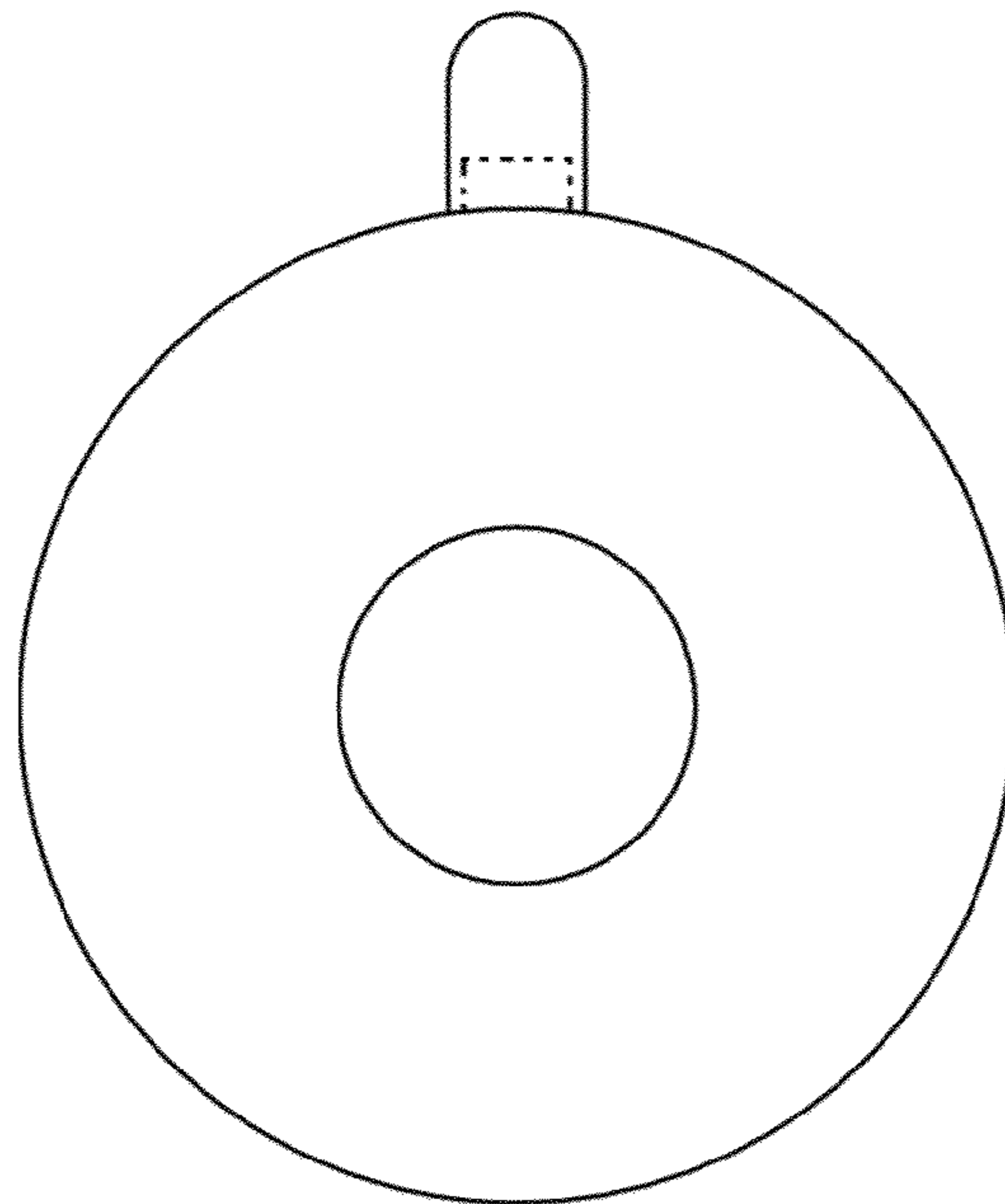


Fig. 20

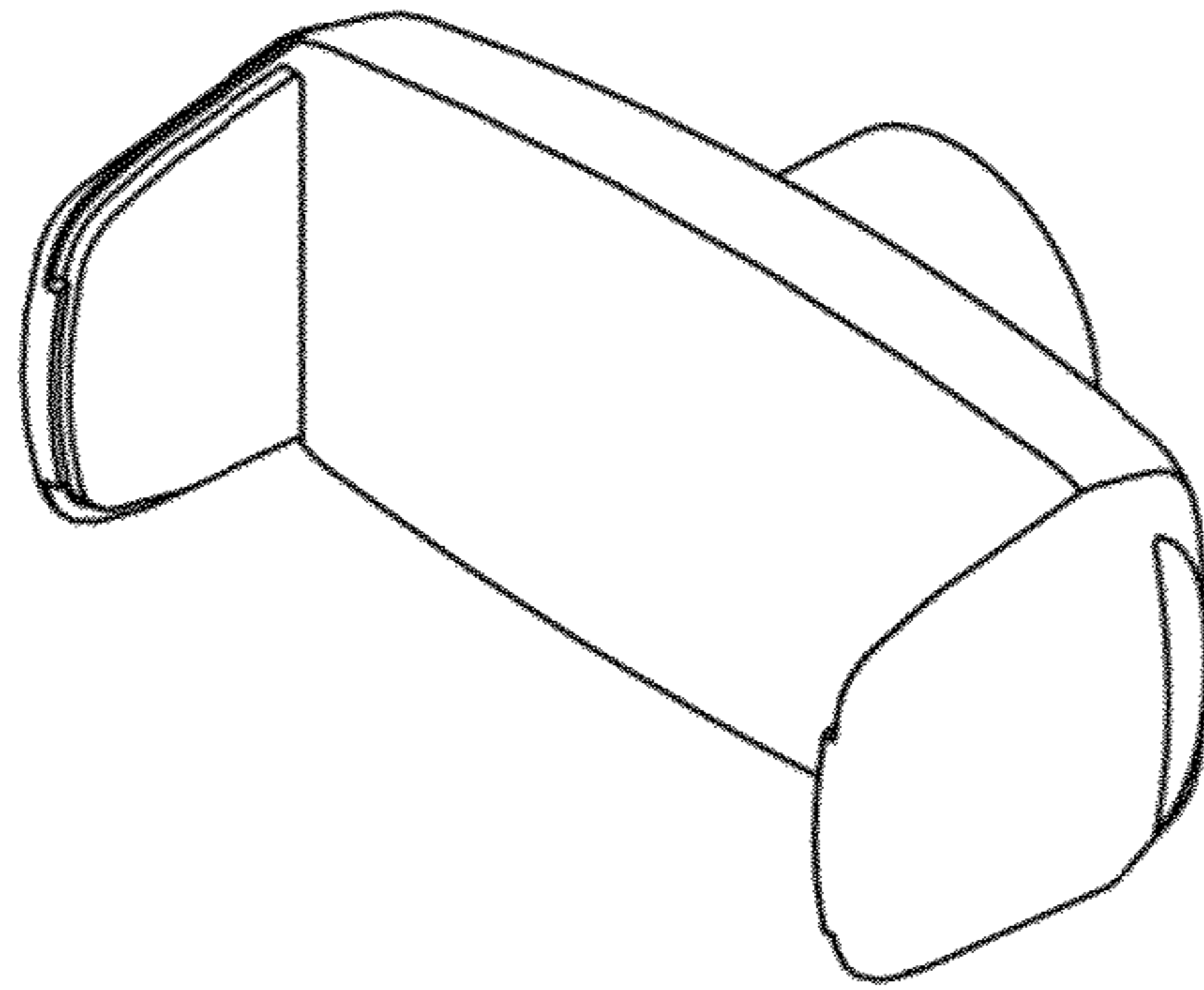


Fig. 21

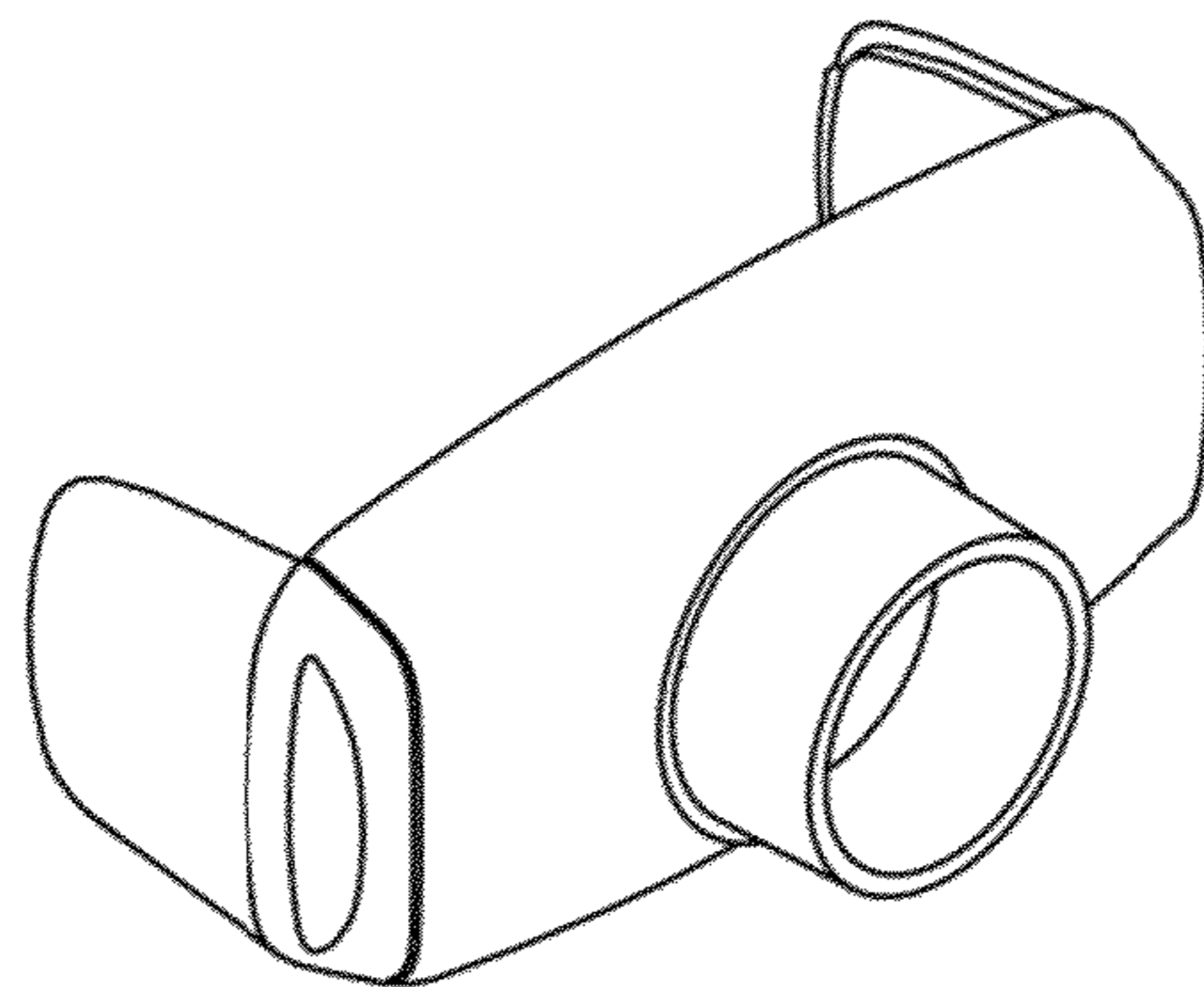


Fig. 22

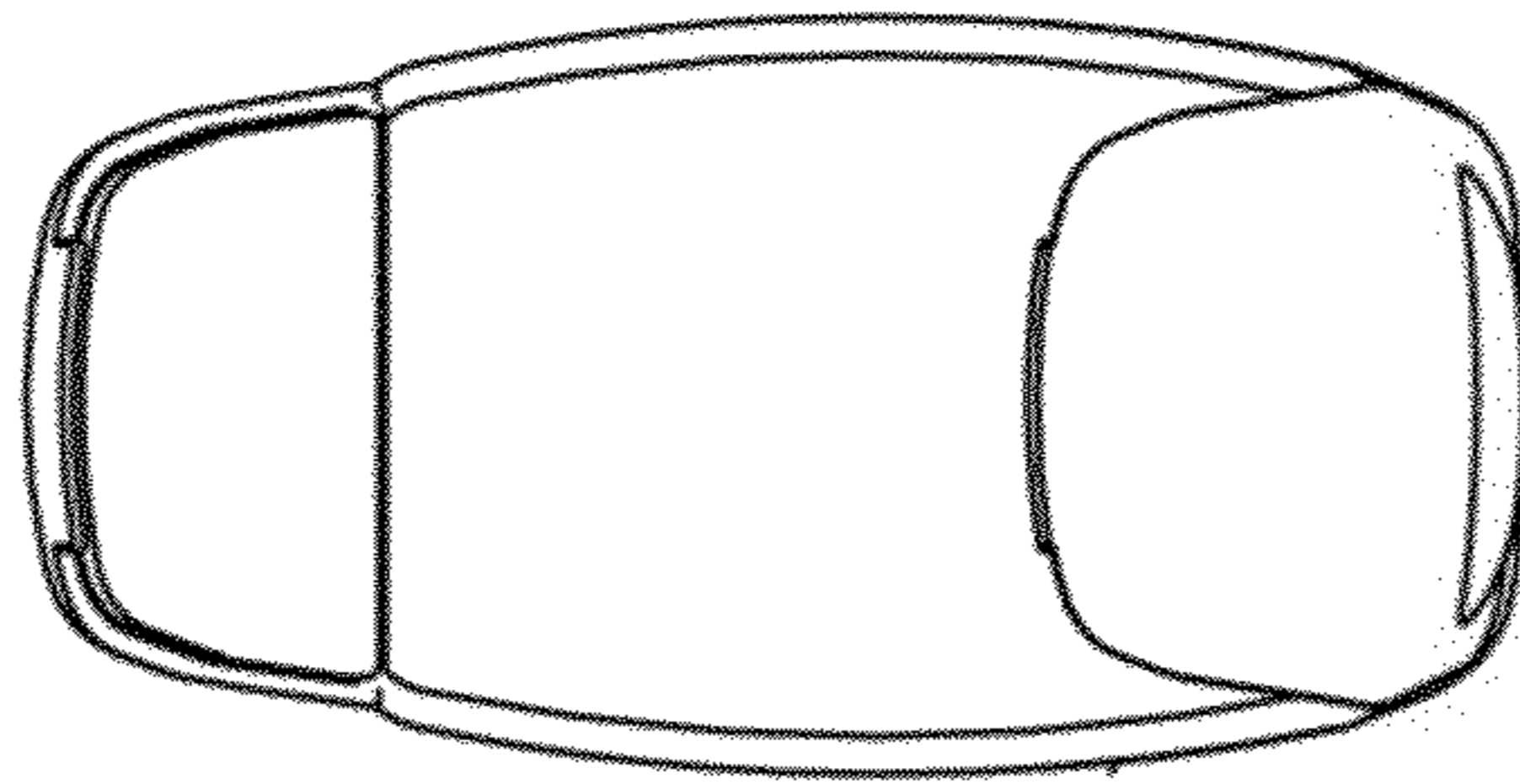


Fig. 23

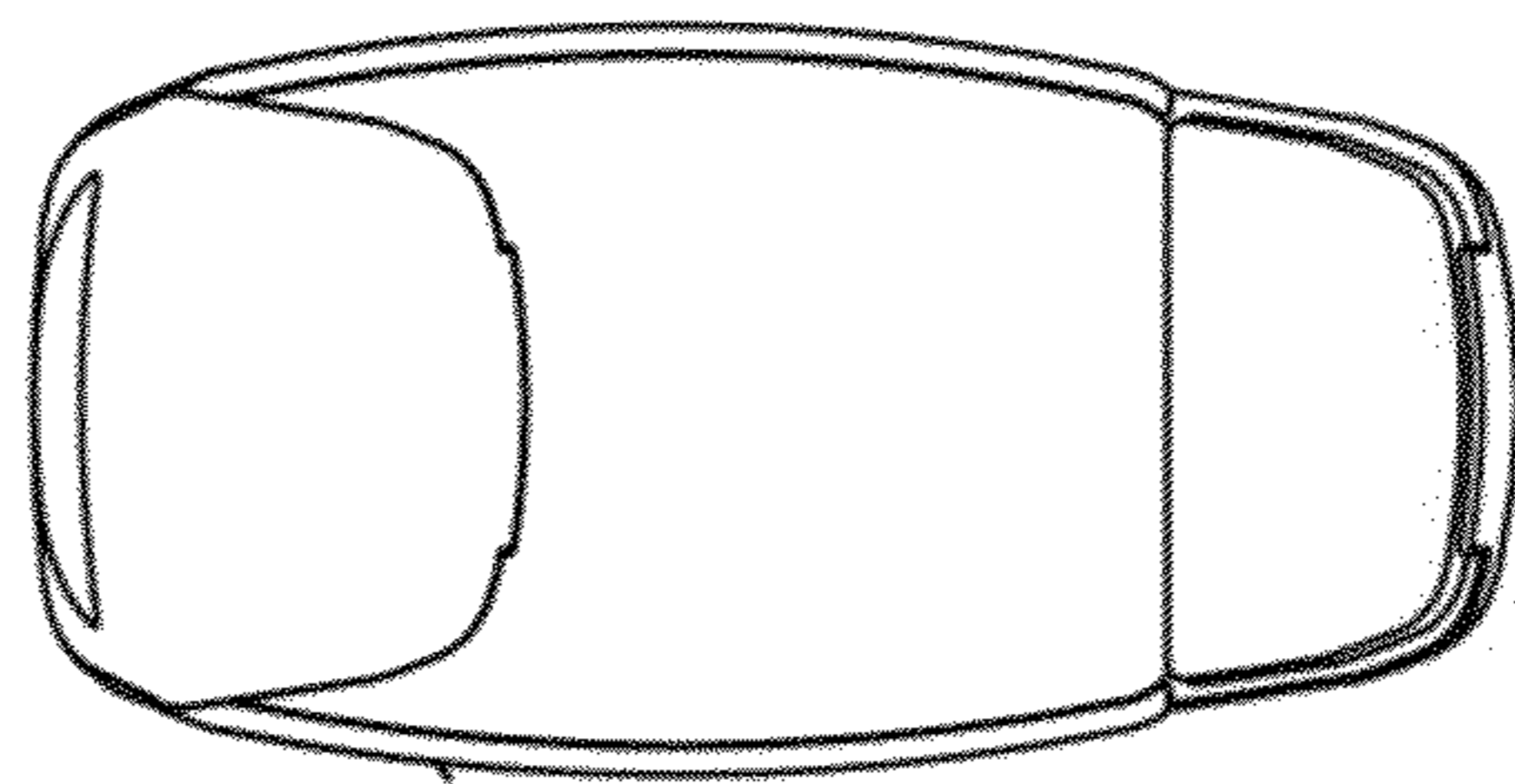


Fig. 24

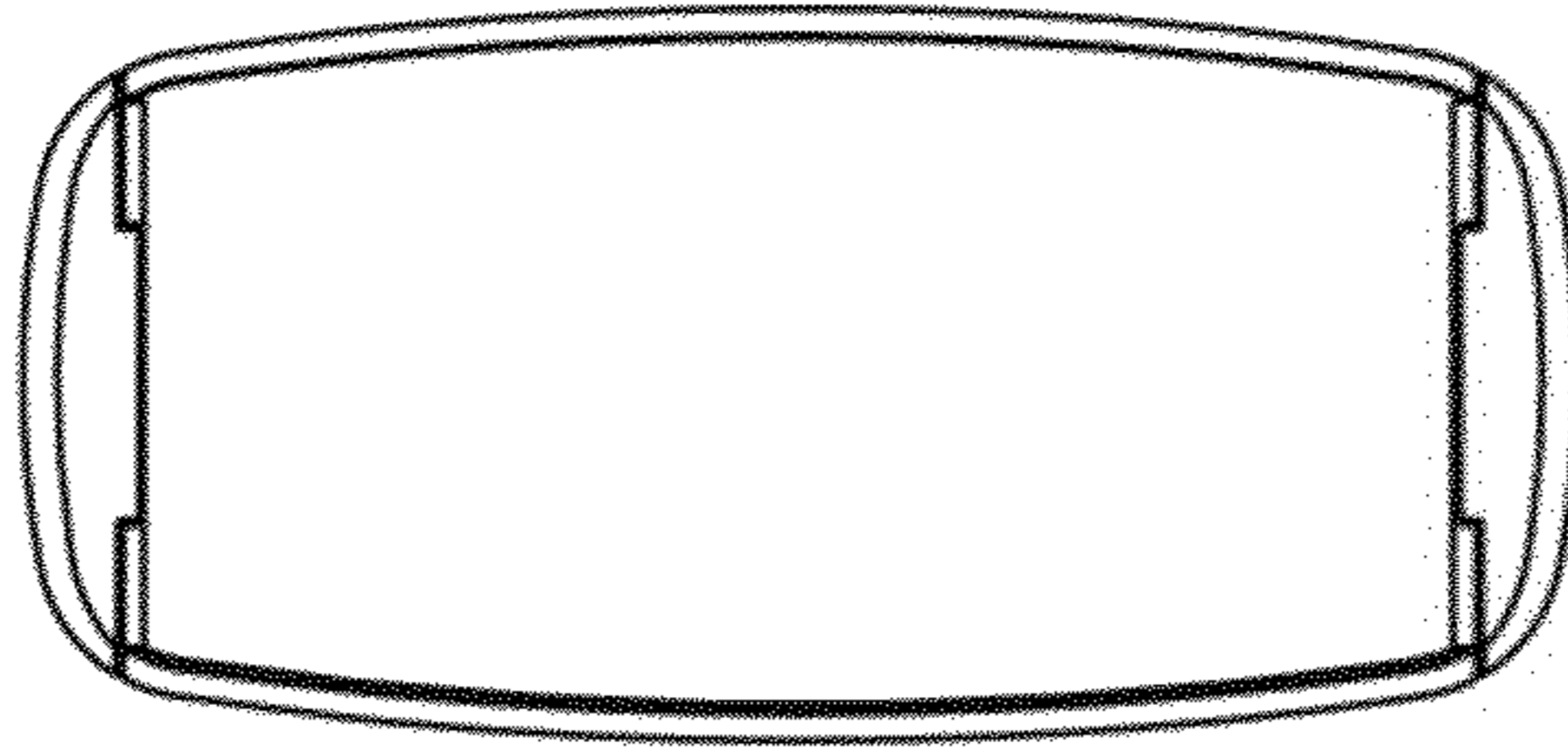


Fig. 25

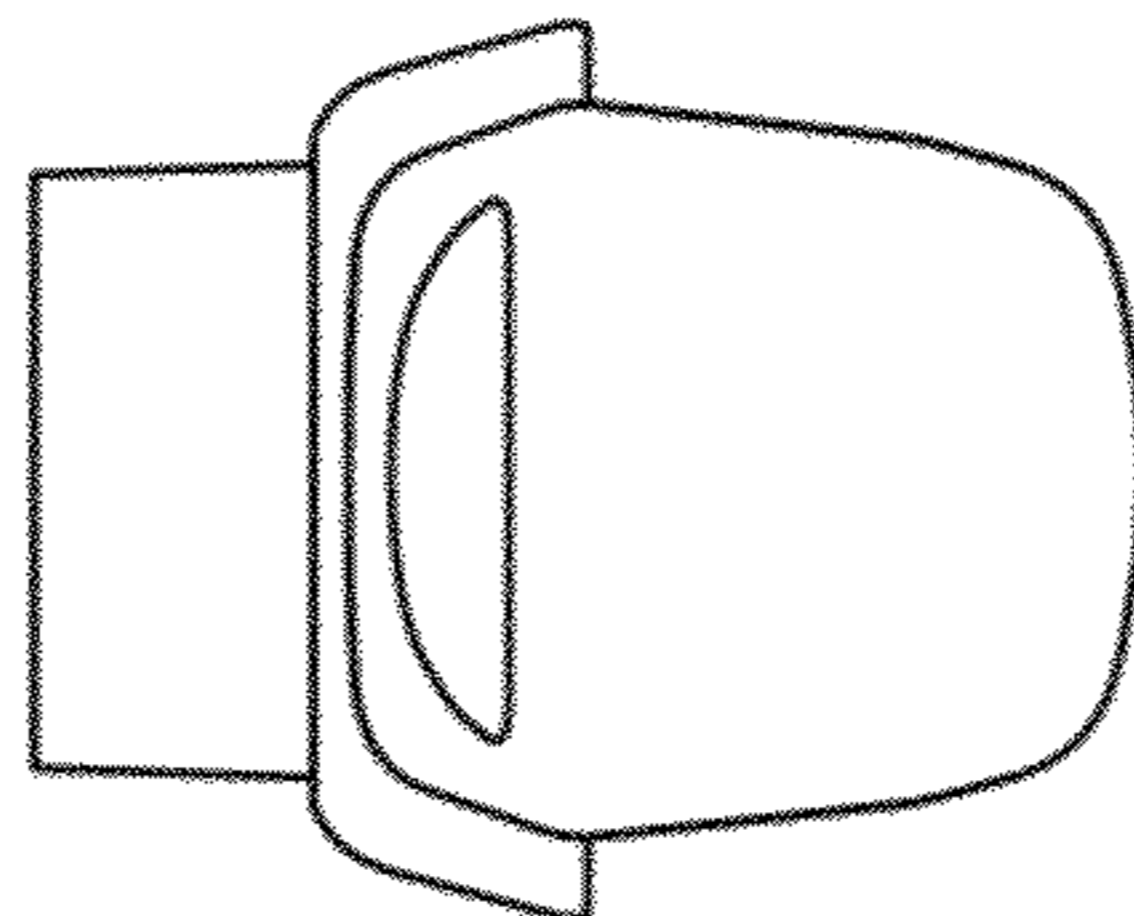


Fig. 26

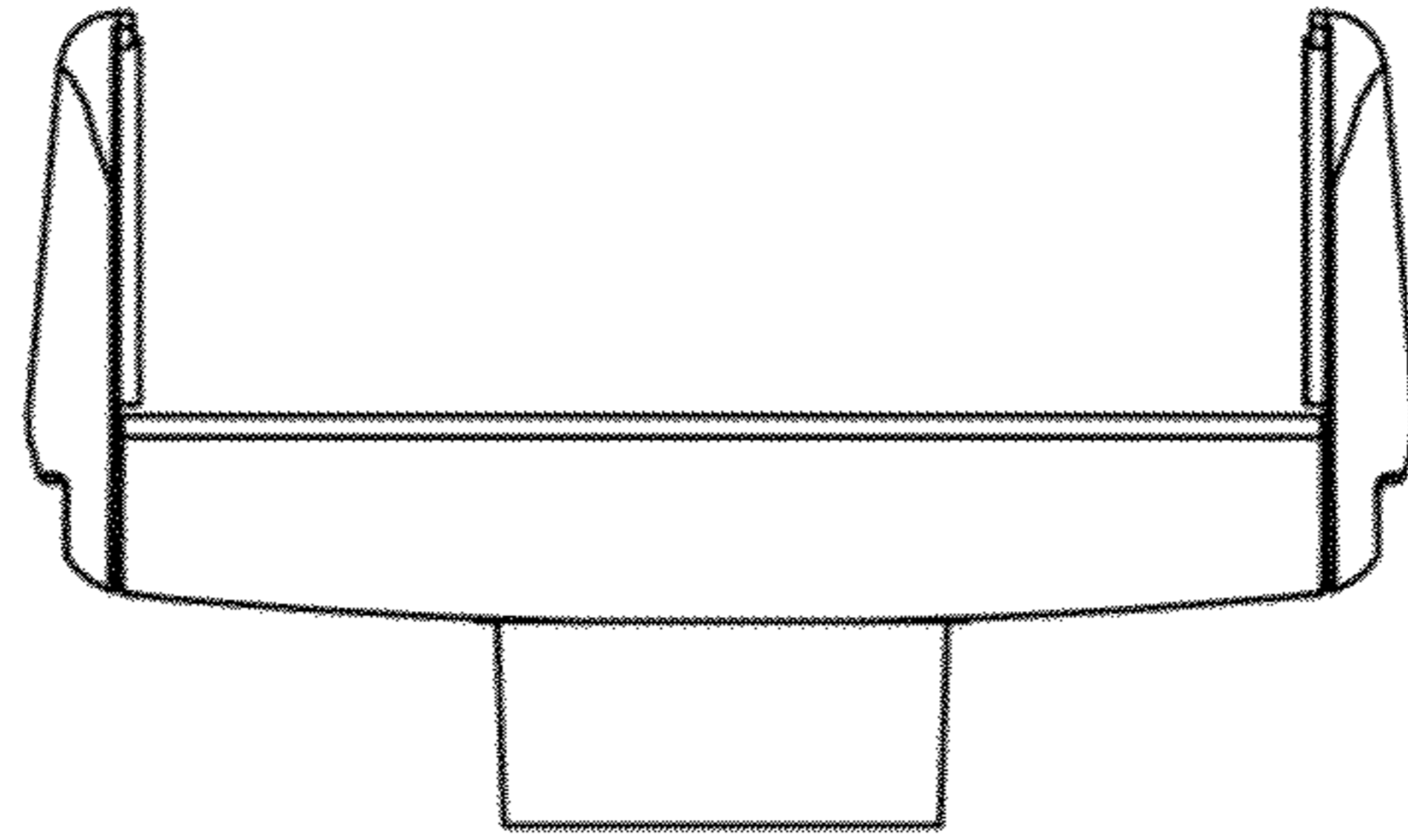


Fig. 27

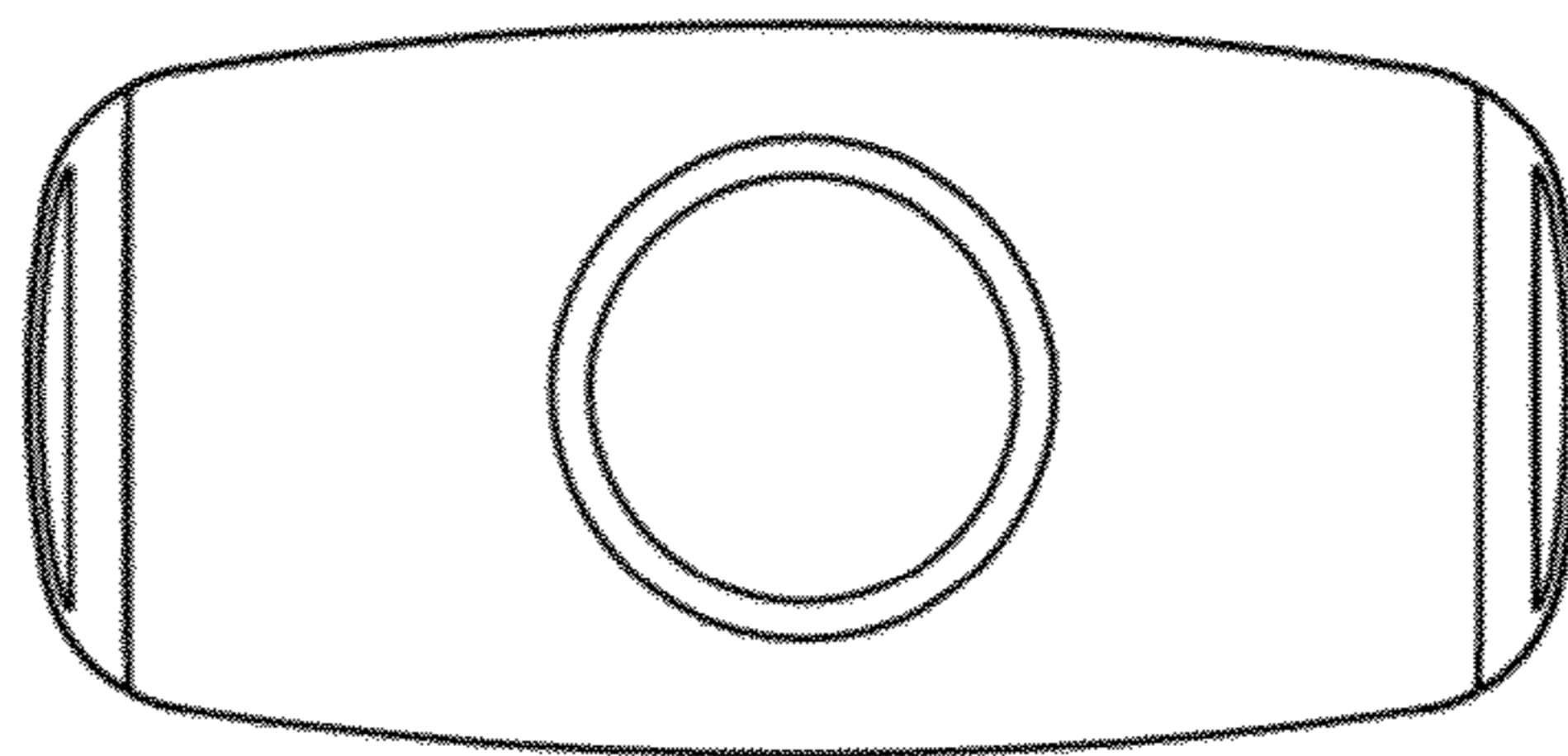


Fig. 28

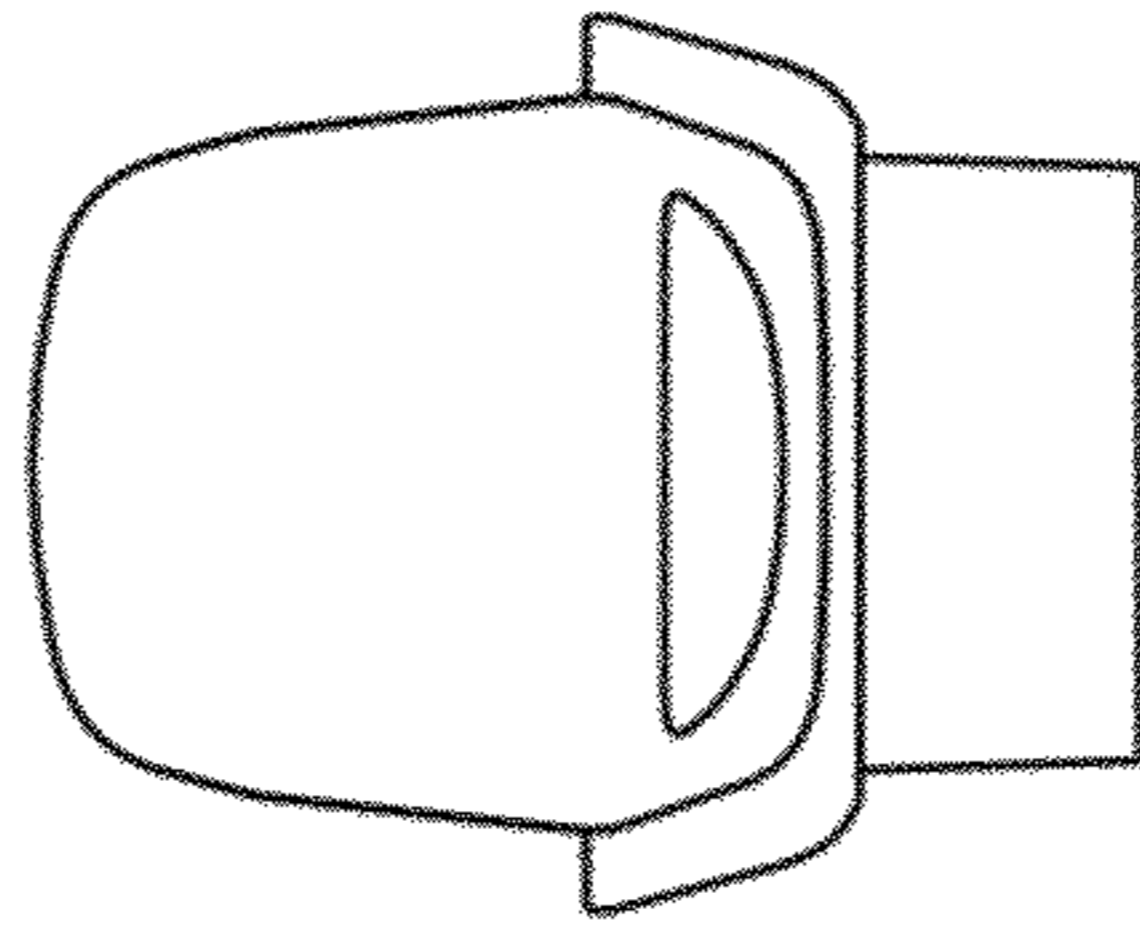


Fig. 29

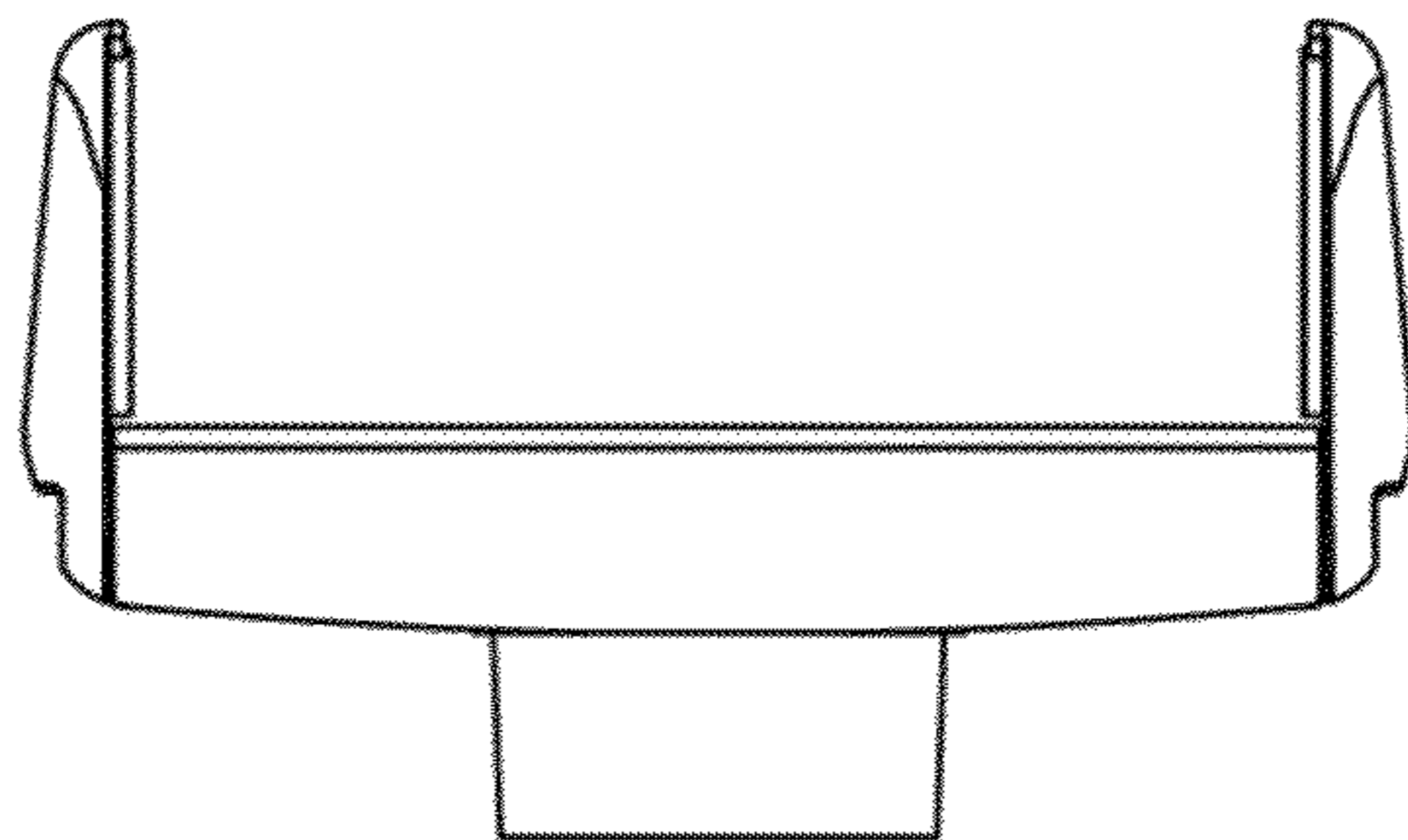


Fig. 30

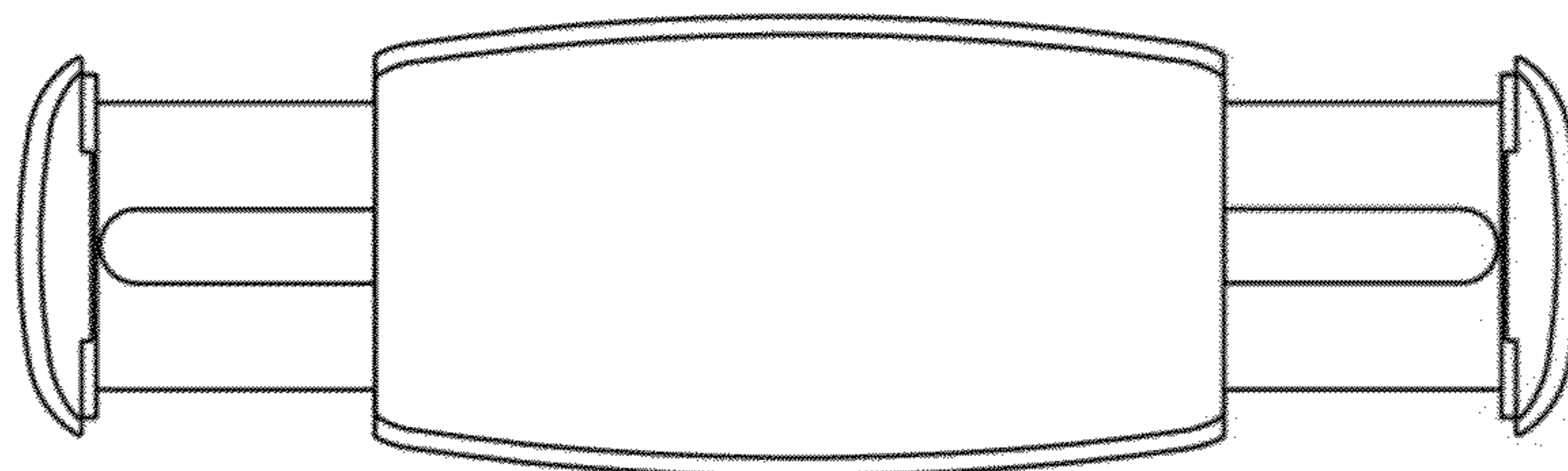


Fig. 31

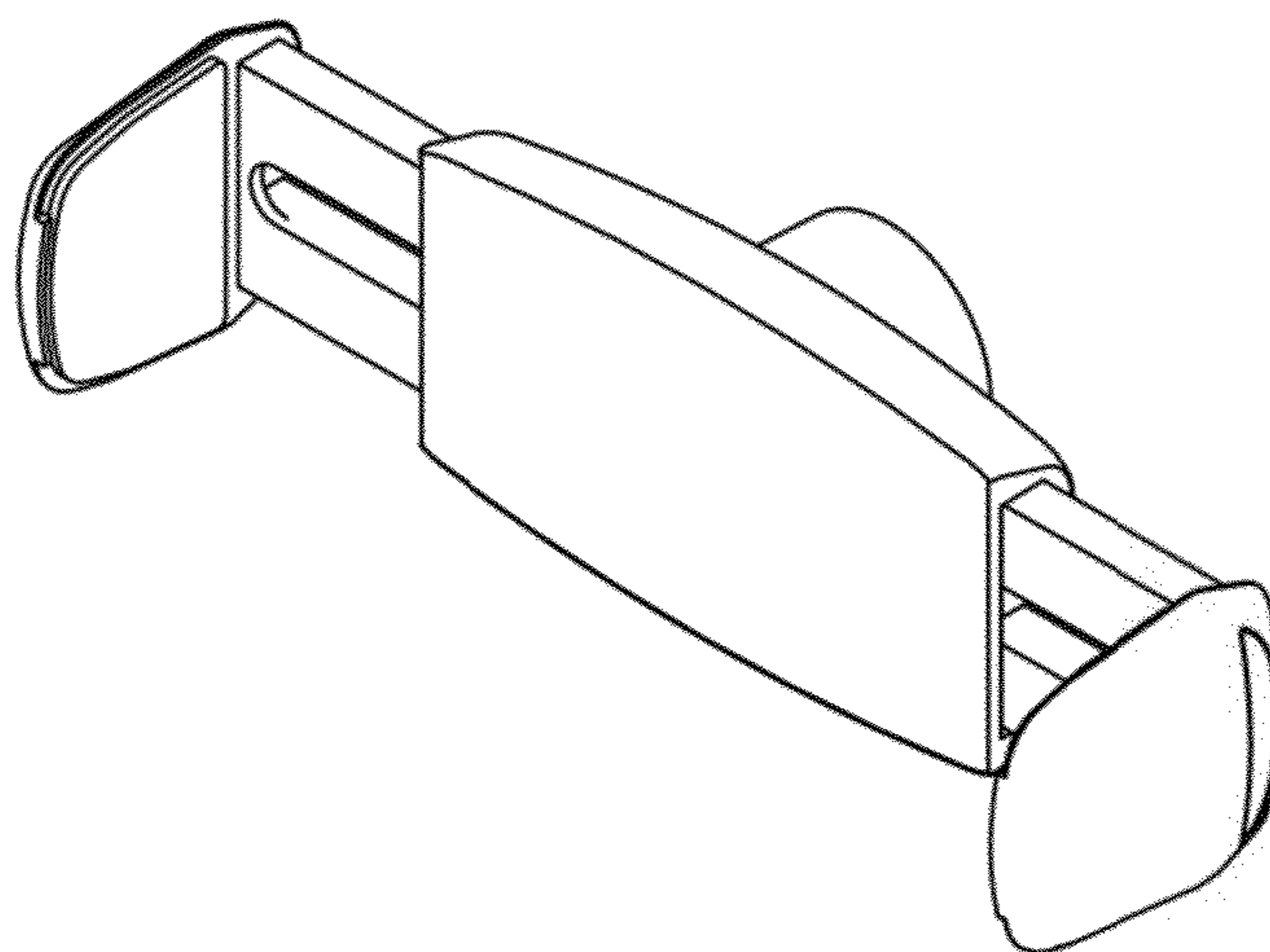


Fig. 32