



US00D718297S

(12) **United States Design Patent**
Aspinall et al.

(10) **Patent No.:** **US D718,297 S**

(45) **Date of Patent:** **** Nov. 25, 2014**

(54) **MOBILE HOLDER AND MOUNT ASSEMBLY**

(71) Applicant: **Iottie, Inc.**, Hackensack, NJ (US)

(72) Inventors: **John Aspinall**, Staten Island, NY (US);
James Byun, Brooklyn, NY (US); **Kyu Seop Lee**, Basking Ridge, NJ (US); **Alan Yu Tung Ng**, New York, NY (US)

(73) Assignee: **Iottie, Inc.**, Hackensack, NJ (US)

(**) Term: **14 Years**

(21) Appl. No.: **29/487,537**

(22) Filed: **Apr. 9, 2014**

(51) **LOC (10) Cl.** **14-03**

(52) **U.S. Cl.**
USPC **D14/253**

(58) **Field of Classification Search**
USPC D14/137, 140, 140.8, 142, 204, 209.1,
D14/217, 221, 243-256, 434, 440, 444-447,
D14/238.1; D8/400-404, 499; D2/861;
D3/215, 218, 304, 269; D6/467, 300,
D6/310, 553-574; D25/318; 292/342, 343;
248/188.2; 348/373, 376; D12/415,
D12/411; D19/87, 90; 455/573, 575.1,
455/575.9

See application file for complete search history.

(56) **References Cited**

U.S. PATENT DOCUMENTS

7,513,472	B2 *	4/2009	Yang	248/231.81
D592,205	S *	5/2009	O'Brien	D14/253
D603,322	S *	11/2009	Nicieja	D12/415
D614,613	S *	4/2010	Kim et al.	D14/253
D645,462	S *	9/2011	Choi	D14/253
D650,372	S *	12/2011	Molter	D14/239
8,091,843	B2 *	1/2012	Tsai	248/206.2
D654,119	S *	2/2012	Lin	D21/333
D654,120	S *	2/2012	Lin	D21/333
D654,493	S *	2/2012	Baumann et al.	D14/253
D655,692	S *	3/2012	Silverman et al.	D14/217
D683,724	S *	6/2013	Wada	D14/251
2014/0145051	A1 *	5/2014	Gwag	248/298.1

* cited by examiner

Primary Examiner — Susan Bennett Hattan

Assistant Examiner — Janice Hallmark

(74) *Attorney, Agent, or Firm* — Lucas & Mercanti LLP

(57) **CLAIM**

The ornamental design for mobile holder and mount assembly, as shown and described.

DESCRIPTION

FIG. 1 is a perspective view of the top, front, and right side of a mobile mount and holder of the present invention with the mobile mount in a withdrawn state;
 FIG. 2 is a perspective view of the top, rear, and right side of the mobile mount and holder of FIG. 1;
 FIG. 3 is a perspective view of a front and a right side of the mobile mount and holder of FIG. 1;
 FIG. 4 is a perspective view of a front and a left side of the mobile mount and holder of FIG. 1;
 FIG. 5 is a side view of the left side of the mobile mount and holder of FIG. 1;
 FIG. 6 is a front view of the mobile mount and holder of FIG. 1;
 FIG. 7 is a top view of the mobile mount and holder of FIG. 1;
 FIG. 8 is a rear view of the mobile mount and holder of FIG. 1;
 FIG. 9 is a side view of the right side of the mobile mount and holder of FIG. 1;
 FIG. 10 is a bottom view of the mobile mount and holder of FIG. 1;
 FIG. 11 is a perspective view of the top, front, and right side of a mobile mount and holder of the present invention with the mobile mount in an extended state;
 FIG. 12 is a perspective view of the top, rear, and right side of the mobile mount and holder of FIG. 11;
 FIG. 13 is a perspective view of a front and a right side of the mobile mount and holder of FIG. 11;
 FIG. 14 is a perspective view of a front and a left side of the mobile mount and holder of FIG. 11;
 FIG. 15 is a side view of the left side of the mobile mount and holder of FIG. 11;

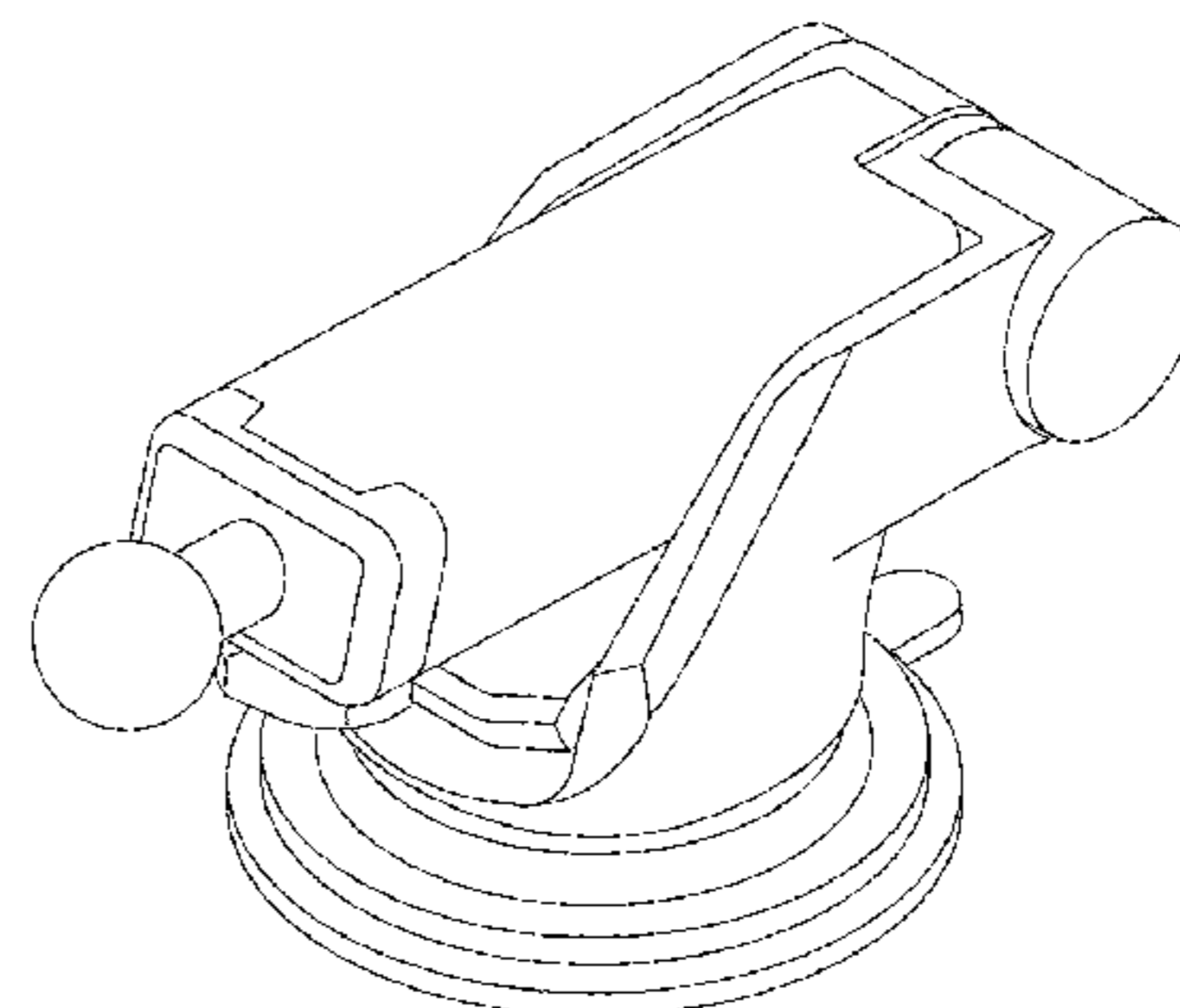
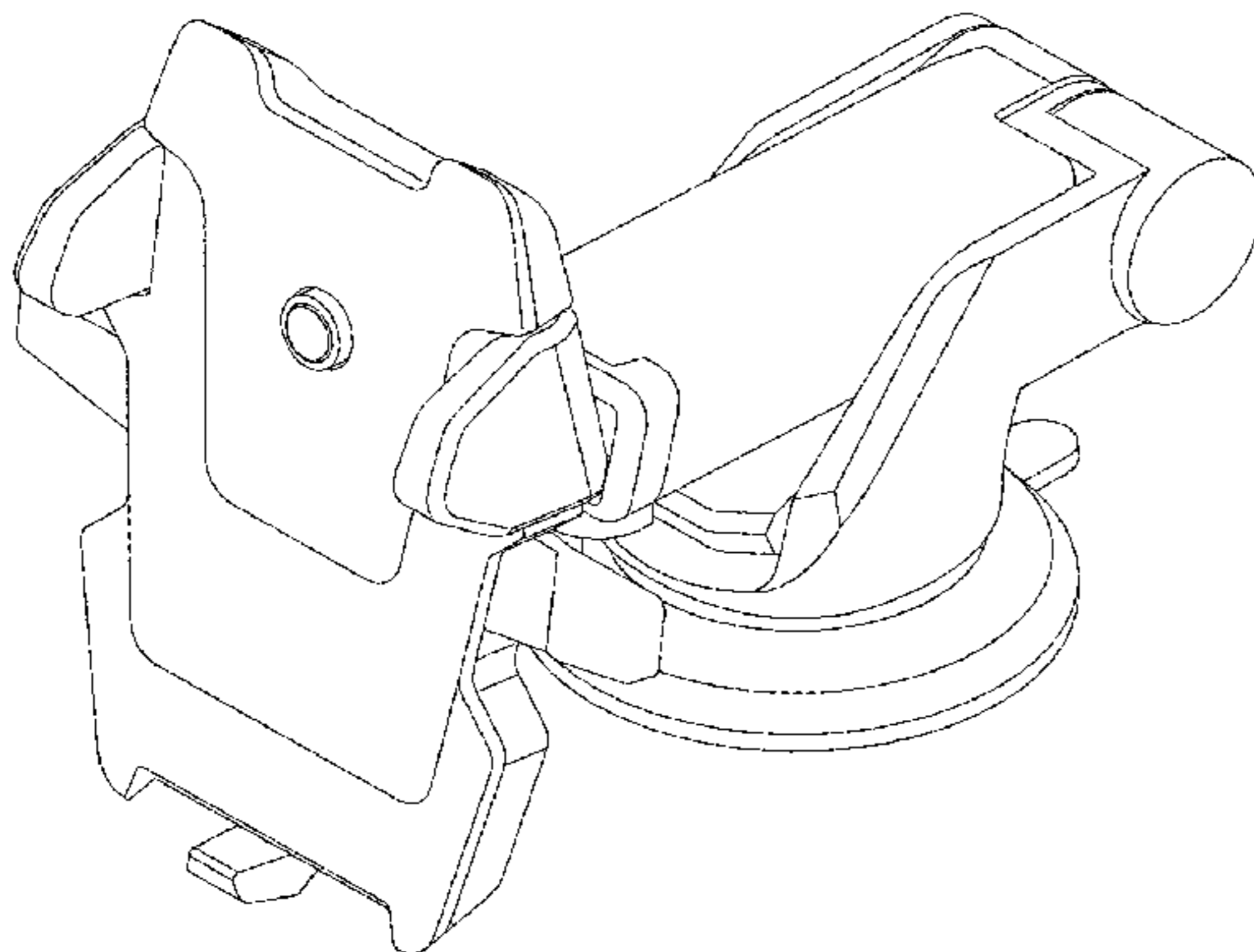


FIG. 16 is a front view of the mobile mount and holder of FIG. 11;
FIG. 17 is a top view of the mobile mount and holder of FIG. 11;
FIG. 18 is a rear view of the mobile mount and holder of FIG. 11;
FIG. 19 is a side view of the right side of the mobile mount and holder of FIG. 11;
FIG. 20 is a bottom view of the mobile mount and holder of FIG. 11;
FIG. 21 is a perspective view of the top, front, and right side of the mobile mount according to FIG. 1 in the withdrawn state;
FIG. 22 is a perspective view of the top, rear, and right side of the mobile mount of FIG. 21;
FIG. 23 is a perspective view of a front and a right side of the mobile mount of FIG. 21;
FIG. 24 is a perspective view of a front and a left side of the mobile mount of FIG. 21;
FIG. 25 is a side view of the left side of the mobile mount of FIG. 21;
FIG. 26 is a front view of the mobile mount of FIG. 21;

FIG. 27 is a top view of the mobile mount of FIG. 21;
FIG. 28 is a rear view of the mobile mount of FIG. 21;
FIG. 29 is a side view of the right side of the mobile mount of FIG. 21;
FIG. 30 is a bottom view of the mobile mount of FIG. 21;
FIG. 31 is a perspective view of the top, front, and right side of the holder according to FIG. 1;
FIG. 32 is a perspective view of the top, rear, and right side of the holder of FIG. 31;
FIG. 33 is a perspective view of a front and a right side of the holder of FIG. 31;
FIG. 34 is a perspective view of a front and a left side of the holder of FIG. 31;
FIG. 35 is a side view of the left side of the holder of FIG. 31;
FIG. 36 is a front view of the holder of FIG. 31;
FIG. 37 is a top view of the holder of FIG. 31;
FIG. 38 is a rear view of the holder of FIG. 31;
FIG. 39 is a side view of the right side of the holder of FIG. 31;
and,
FIG. 40 is a bottom view of the holder of FIG. 31.

1 Claim, 20 Drawing Sheets

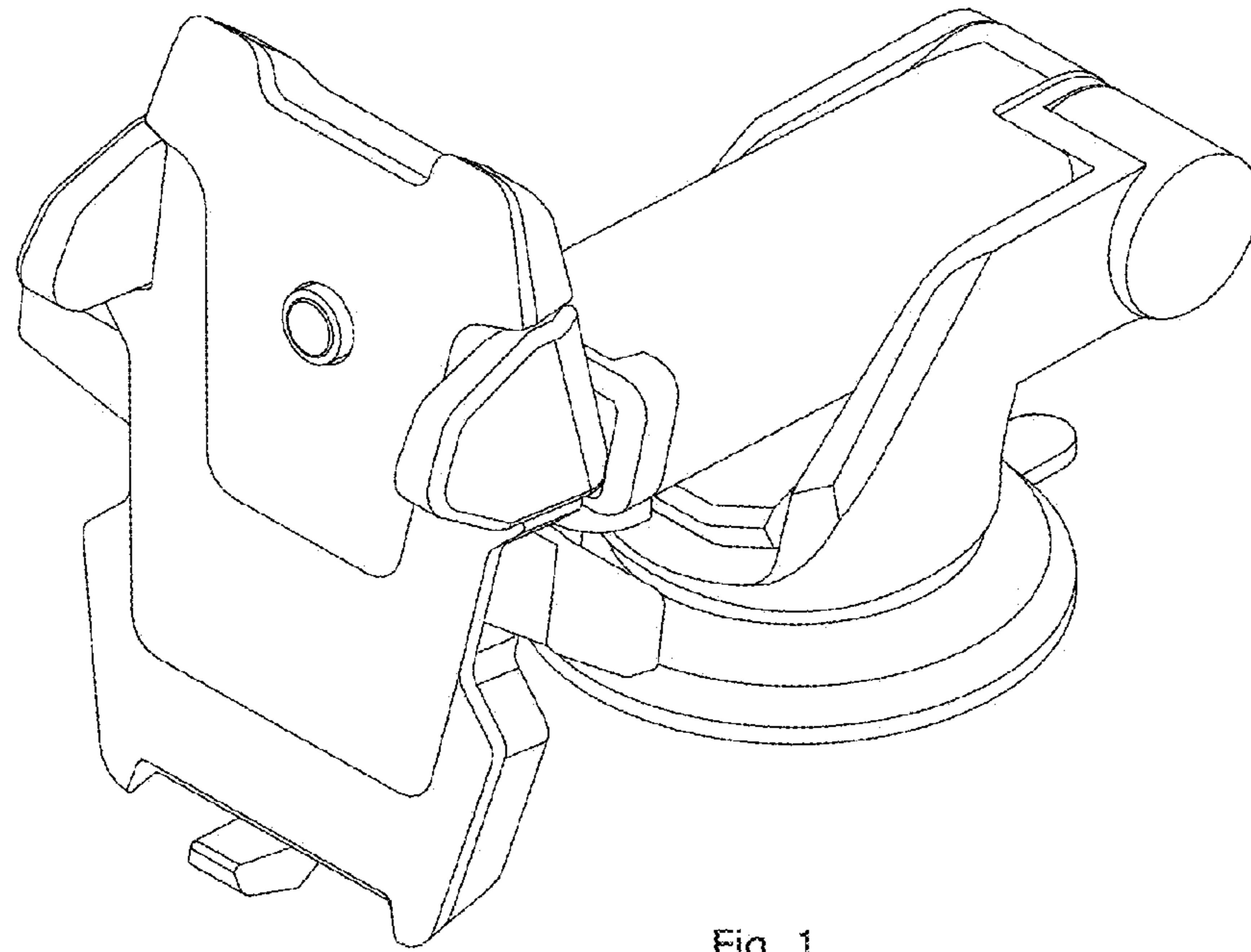


Fig. 1

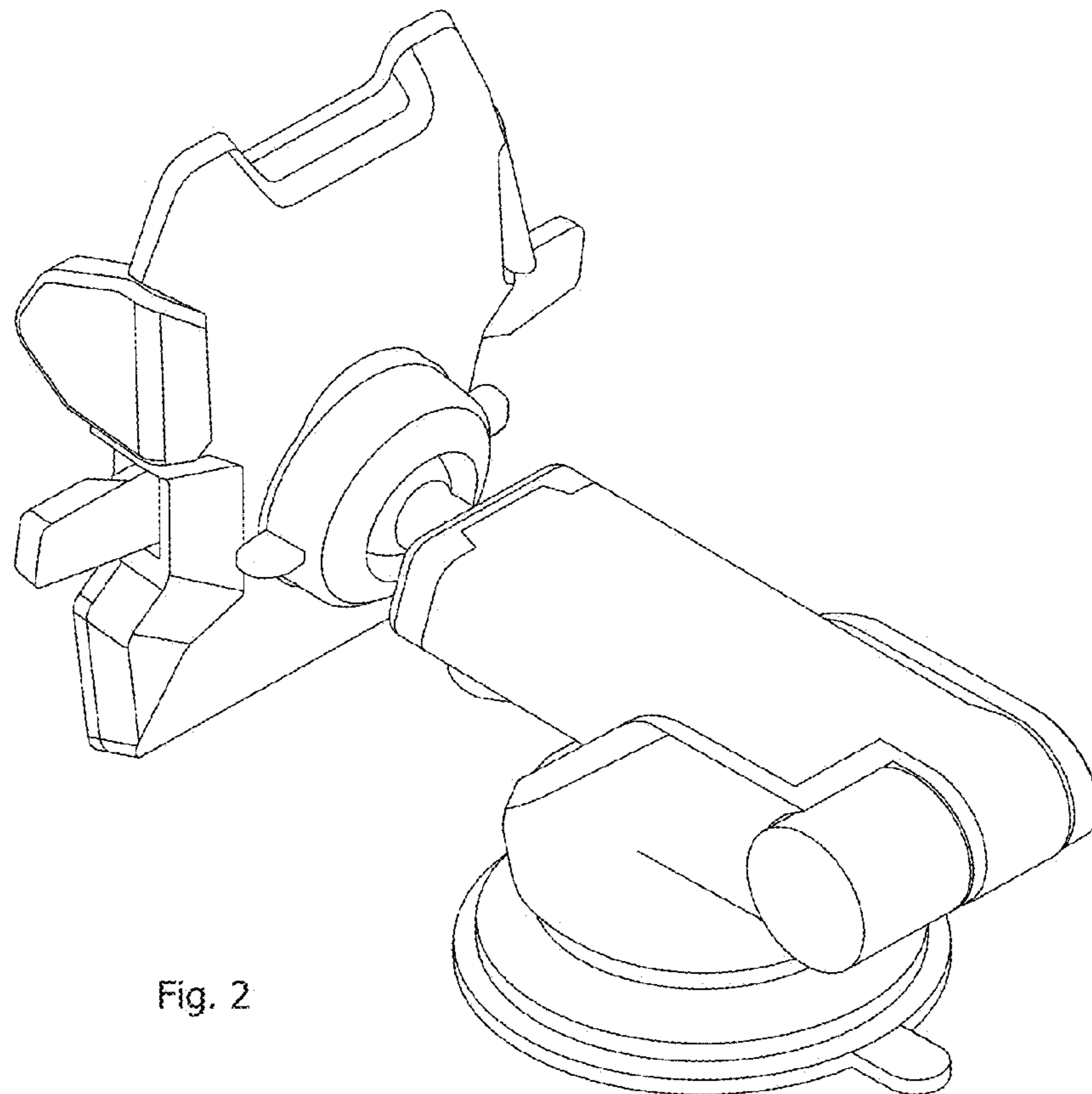


Fig. 2

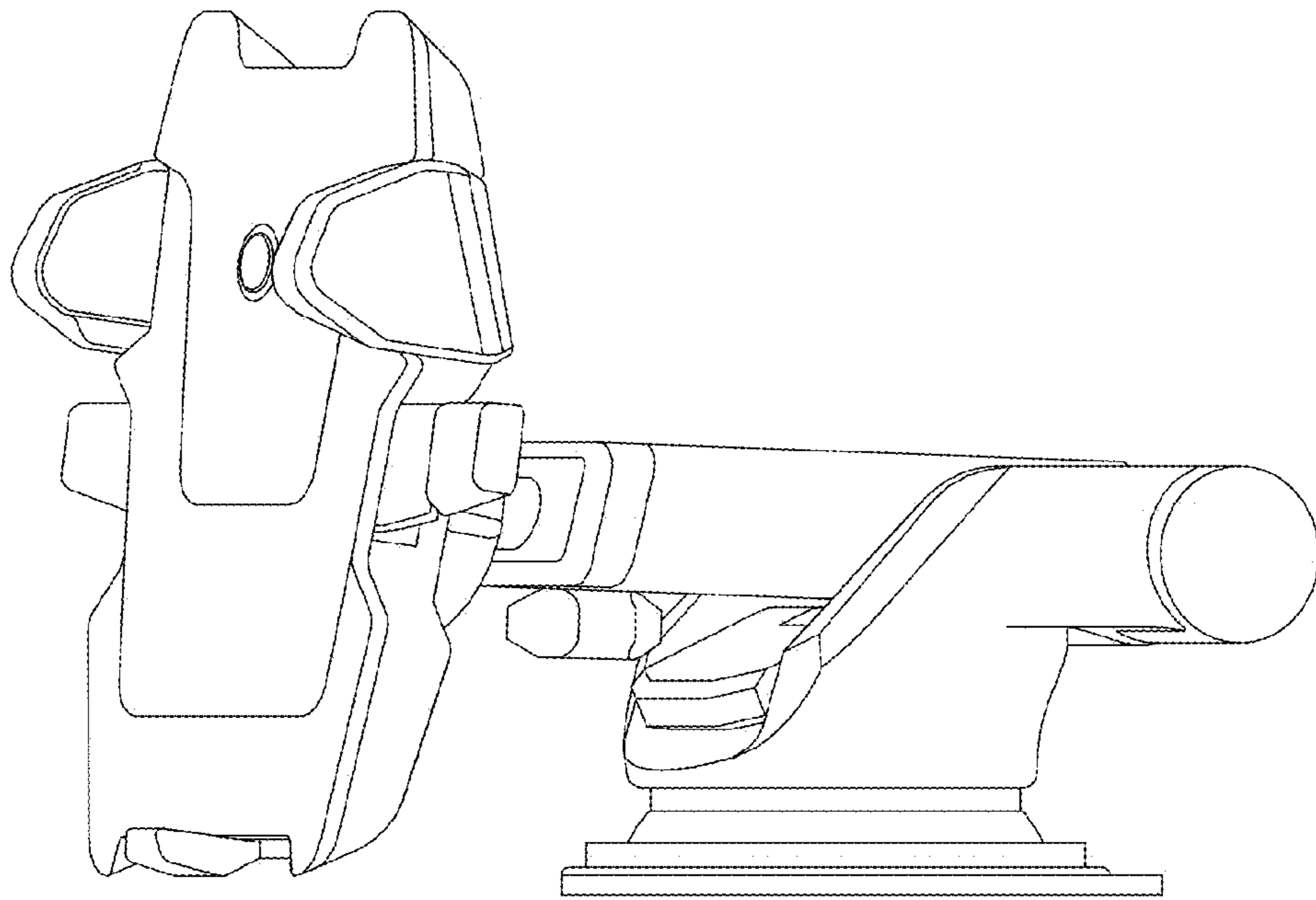


Fig. 3

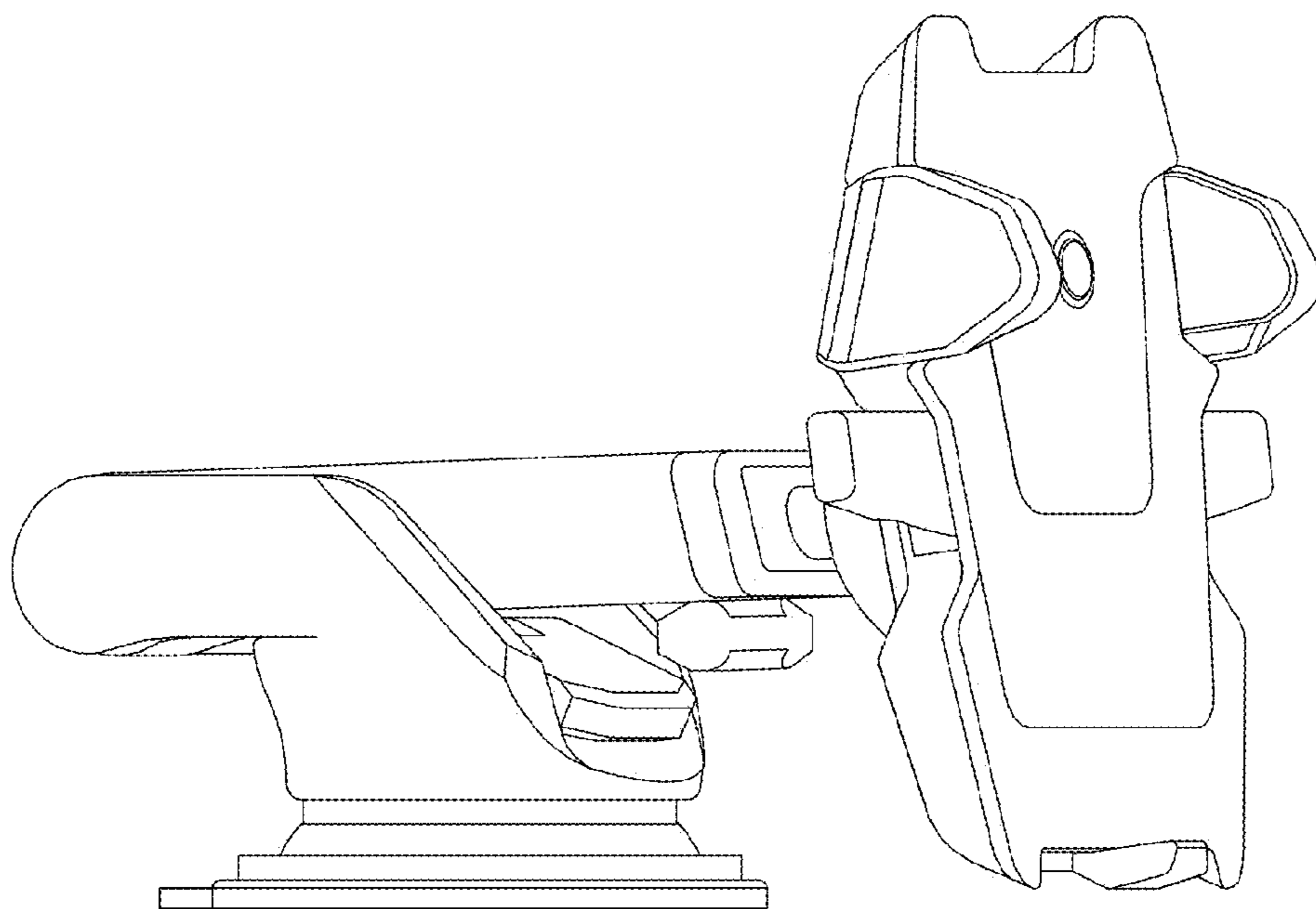


Fig. 4

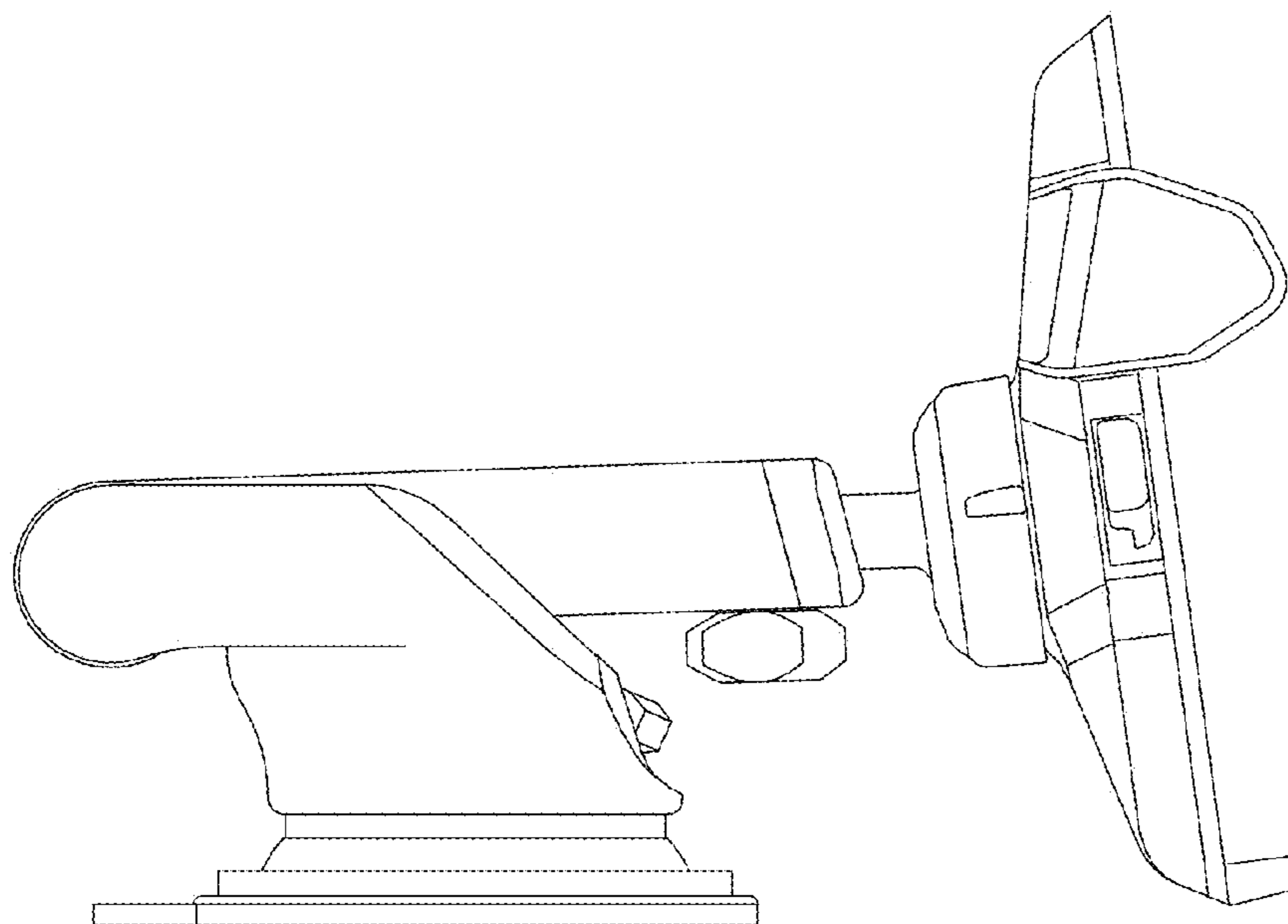


Fig. 5

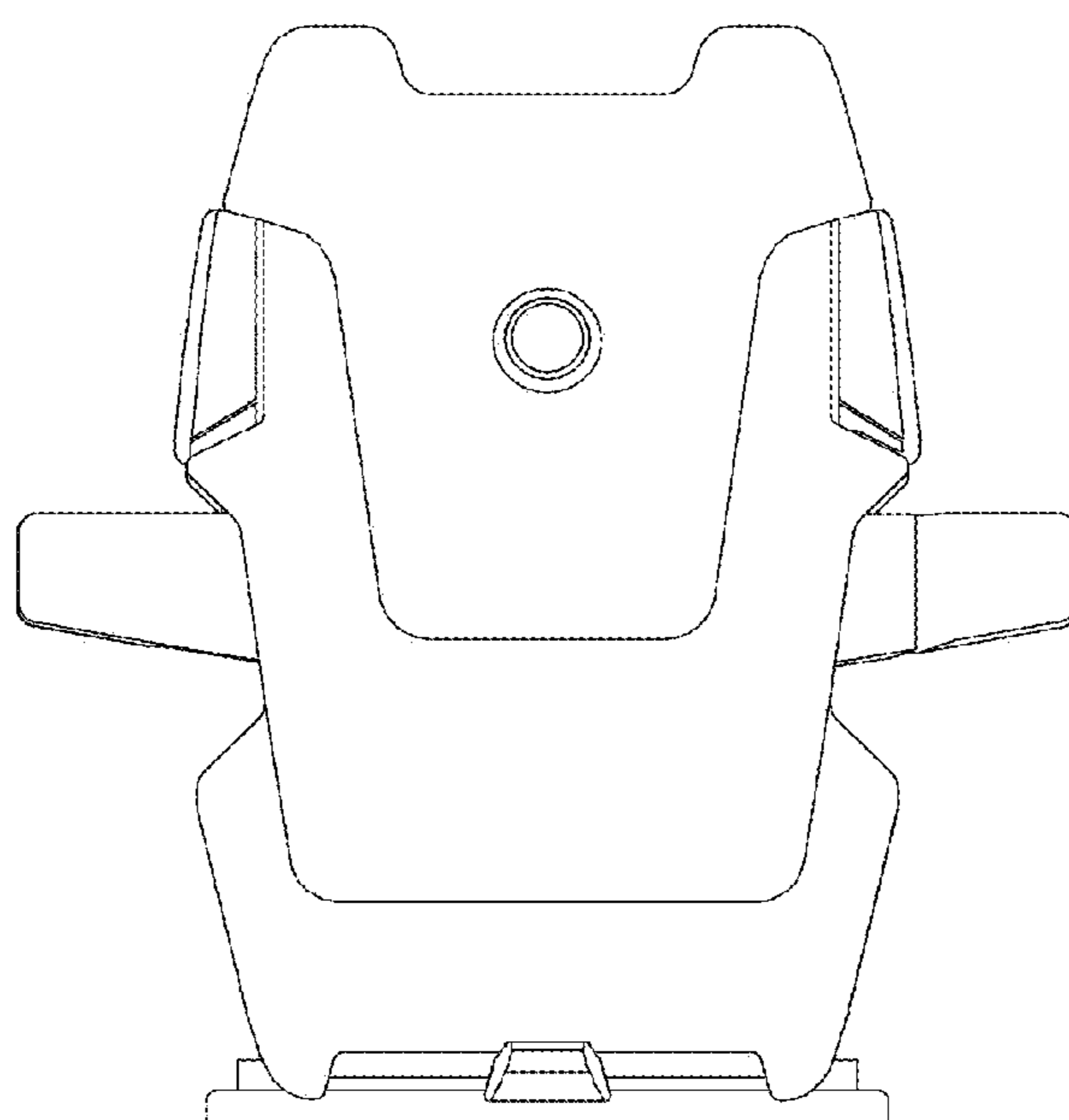
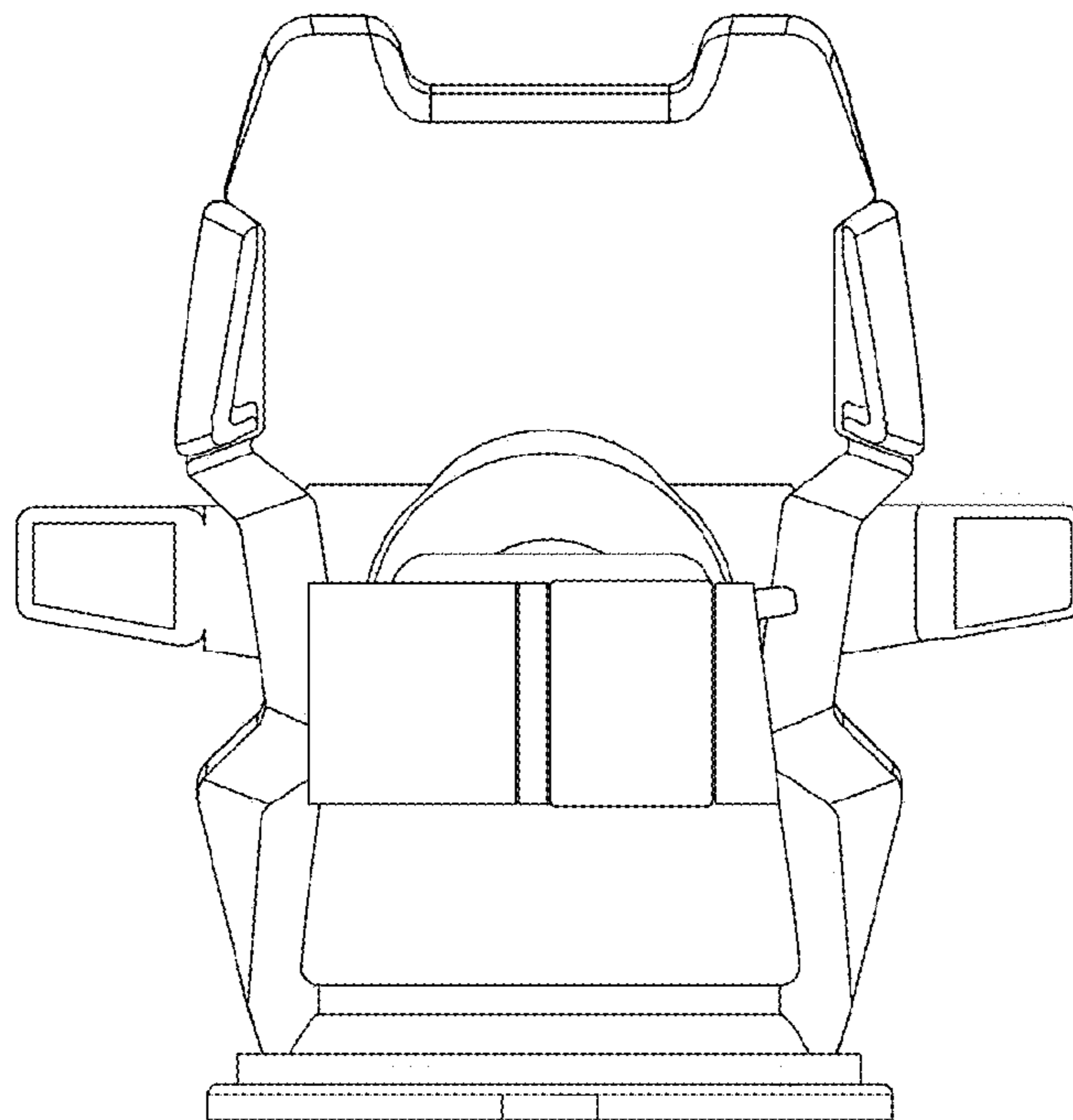
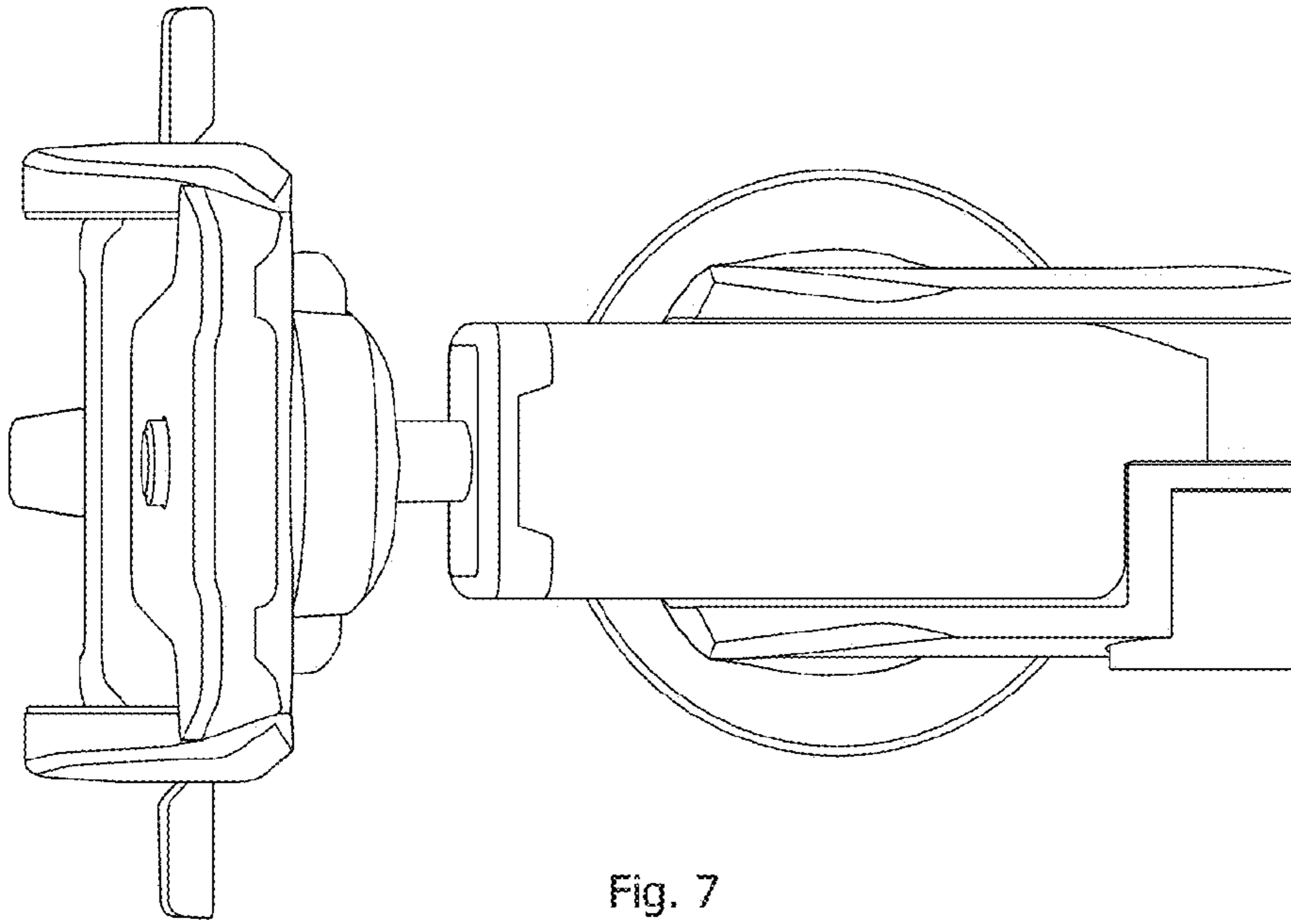


Fig. 6



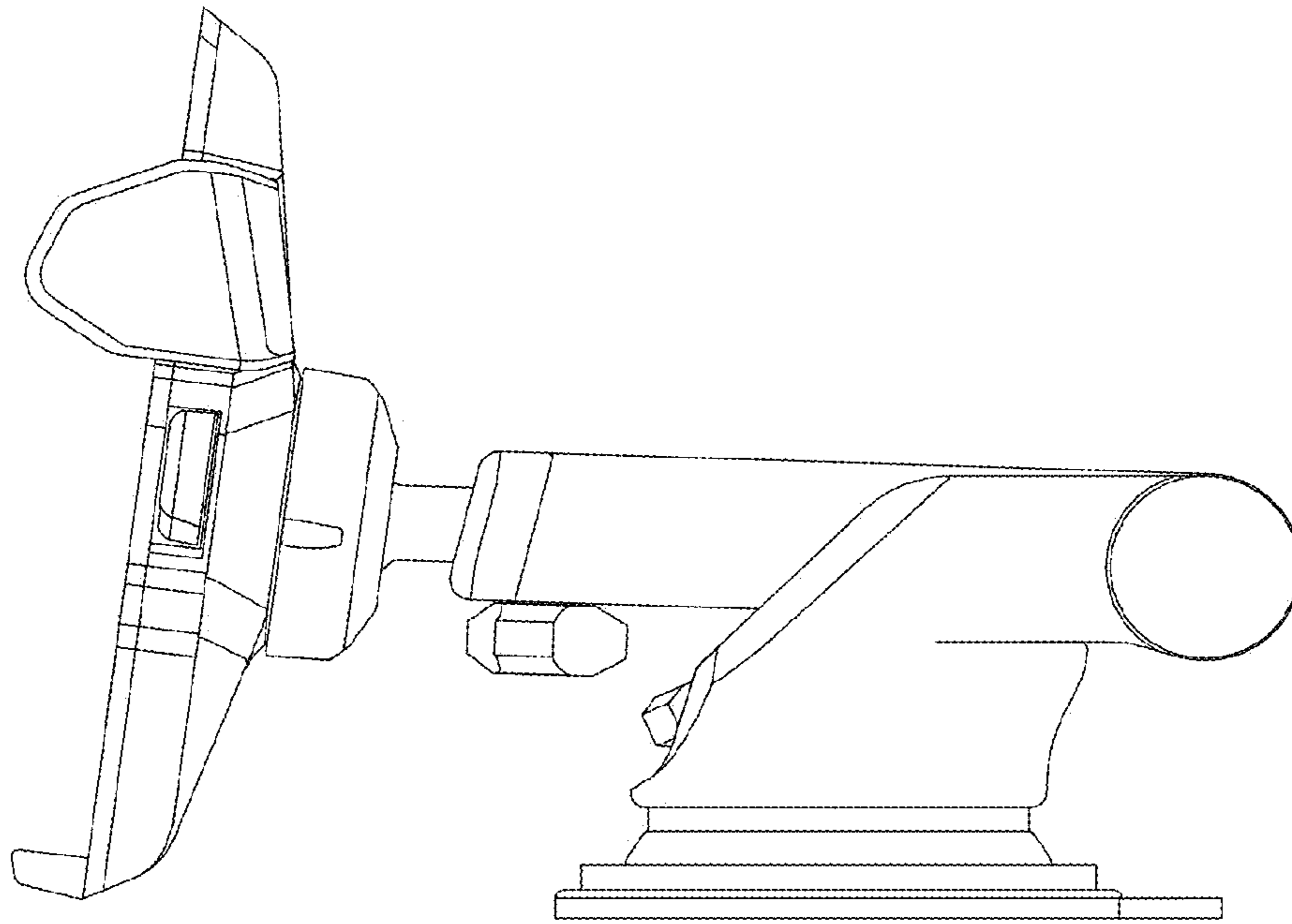


Fig. 9

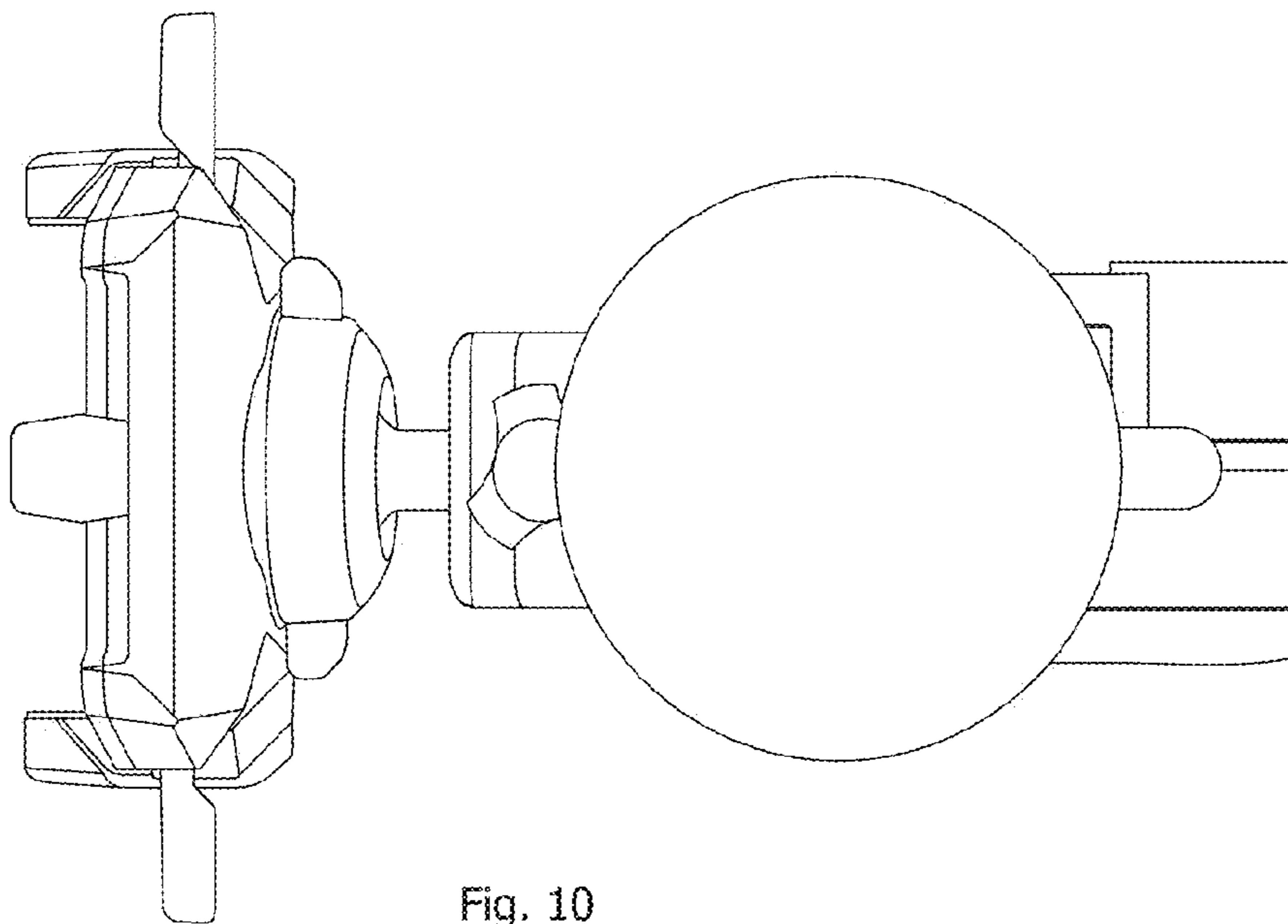


Fig. 10

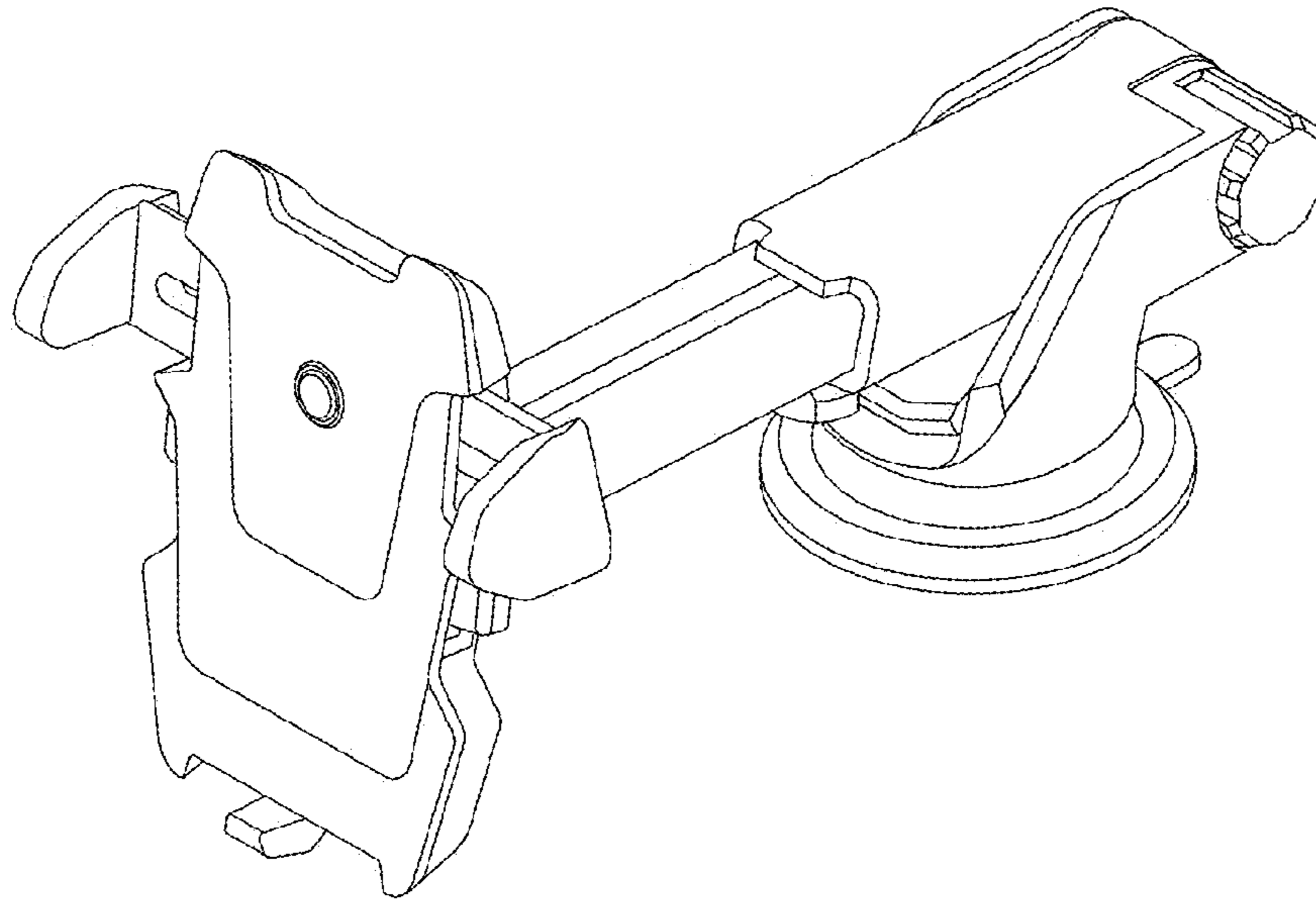


Fig. 11

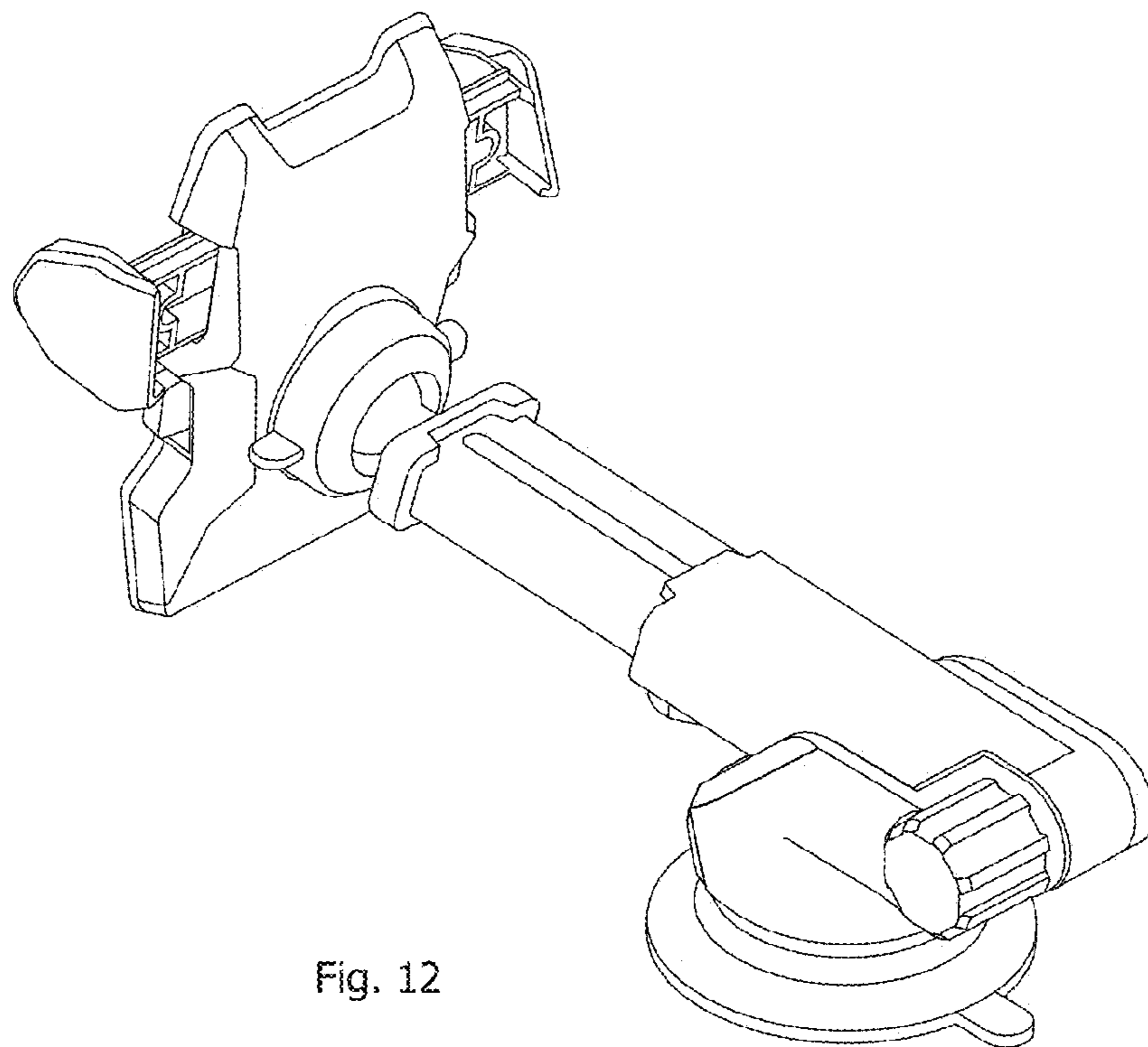


Fig. 12

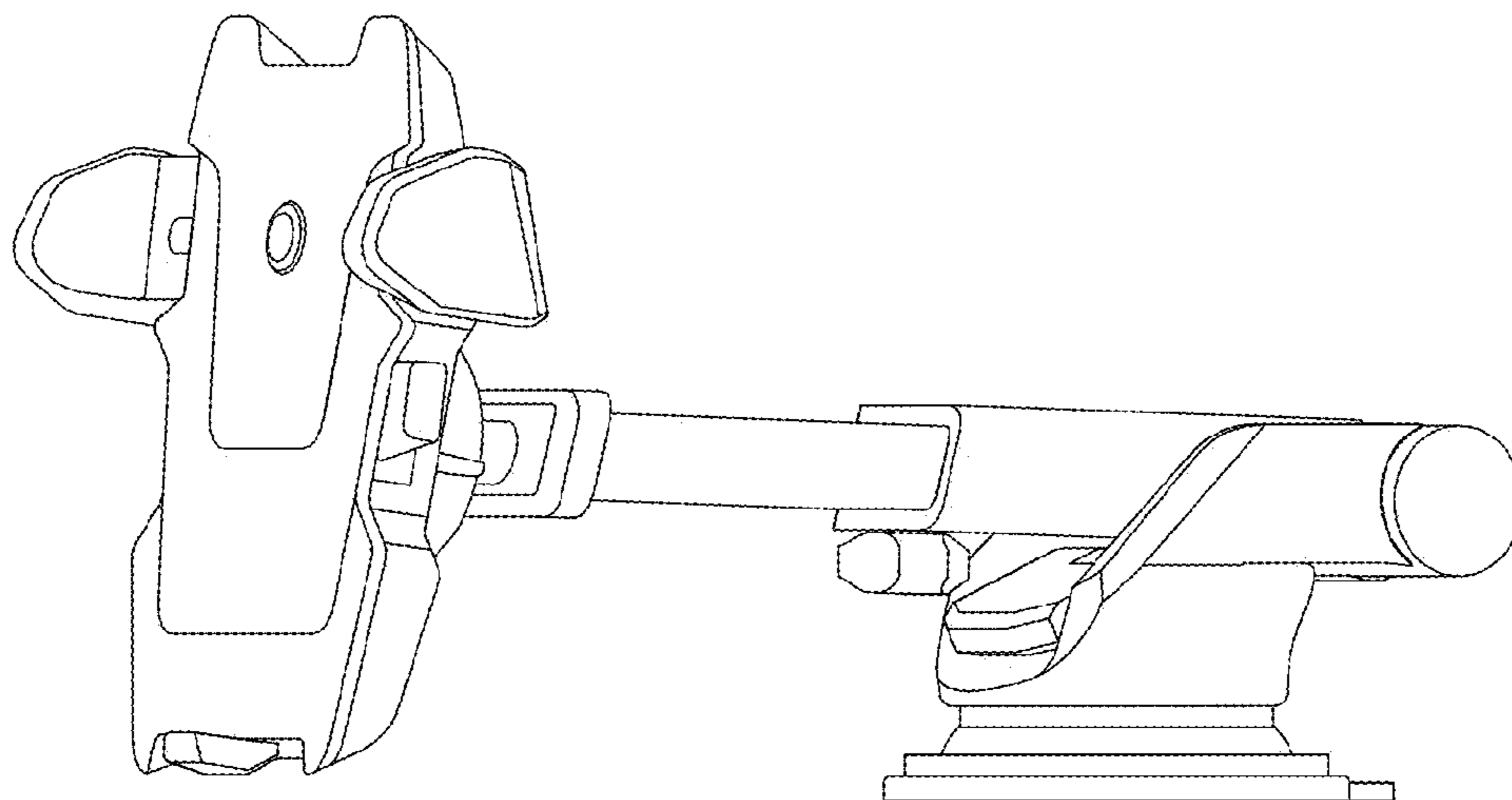


Fig. 13

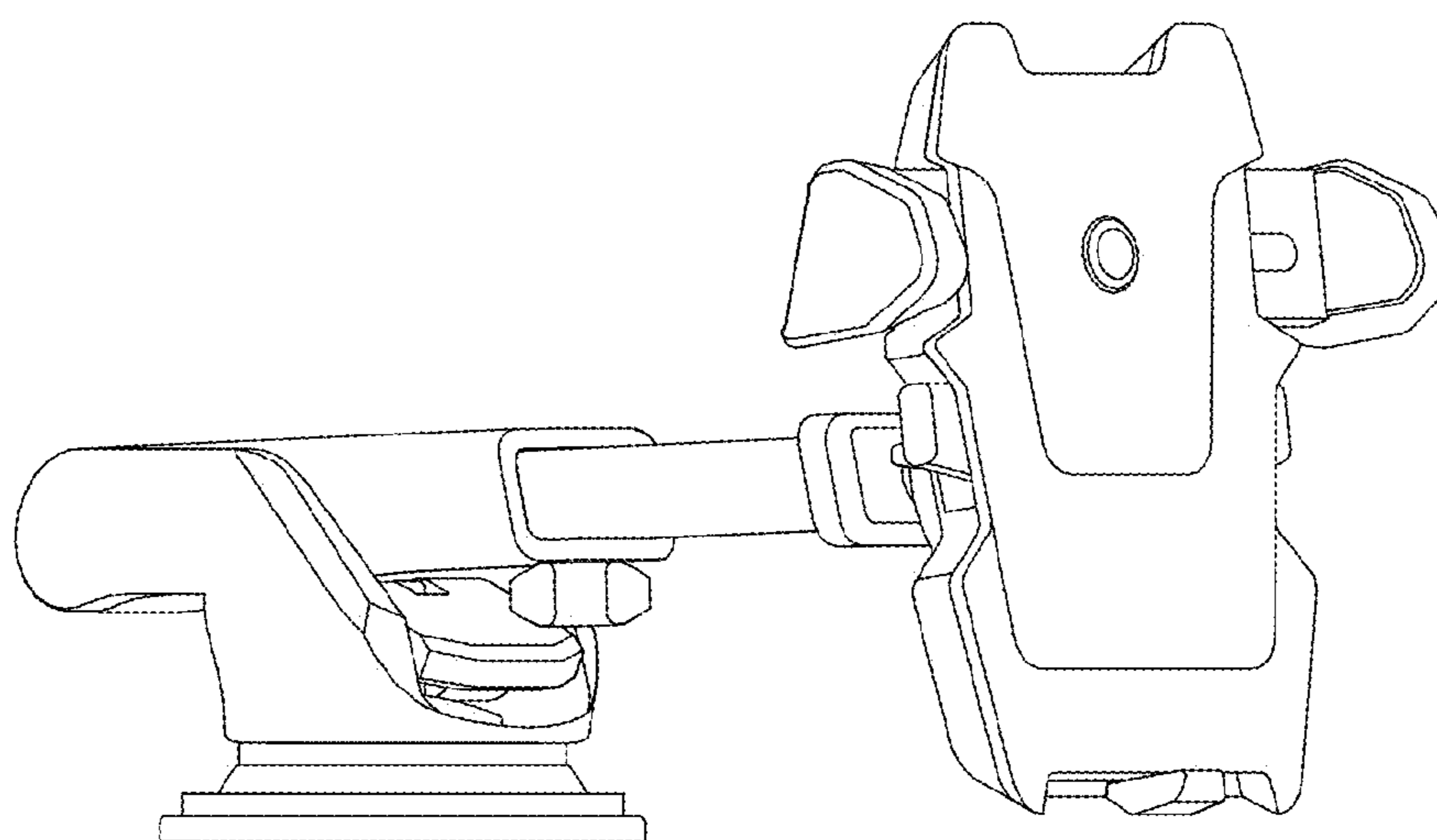


Fig. 14

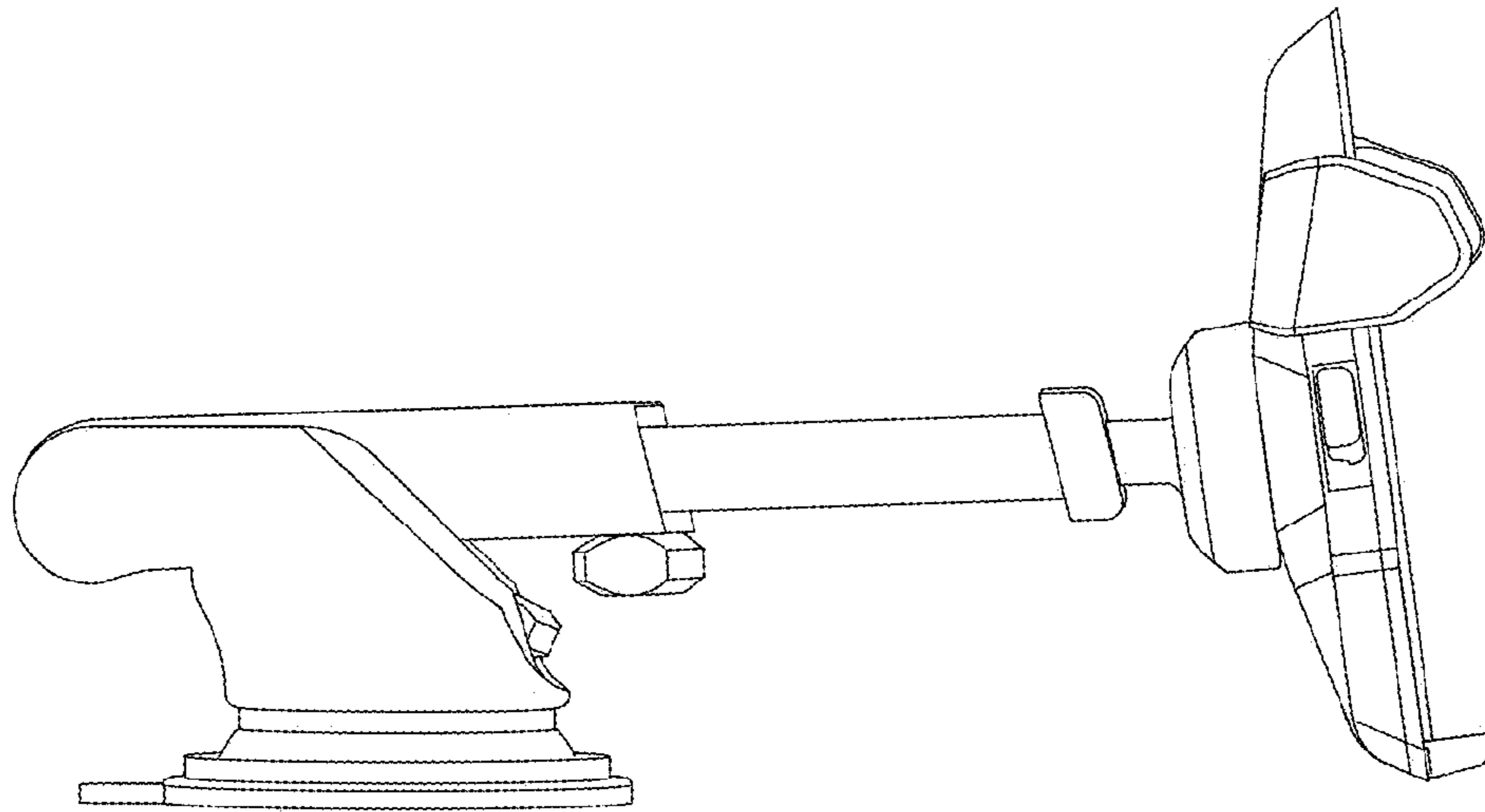


Fig. 15

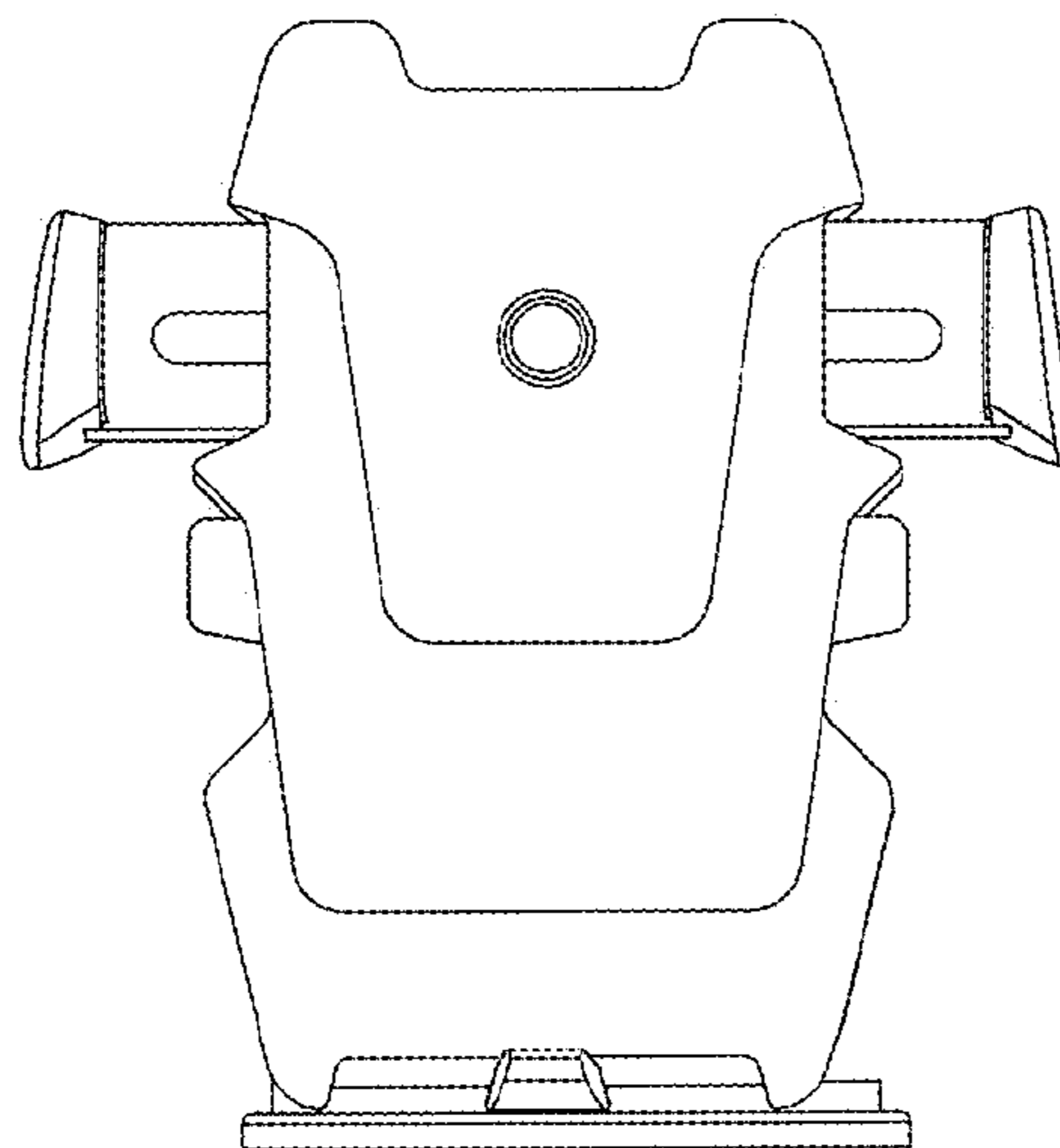


Fig. 16

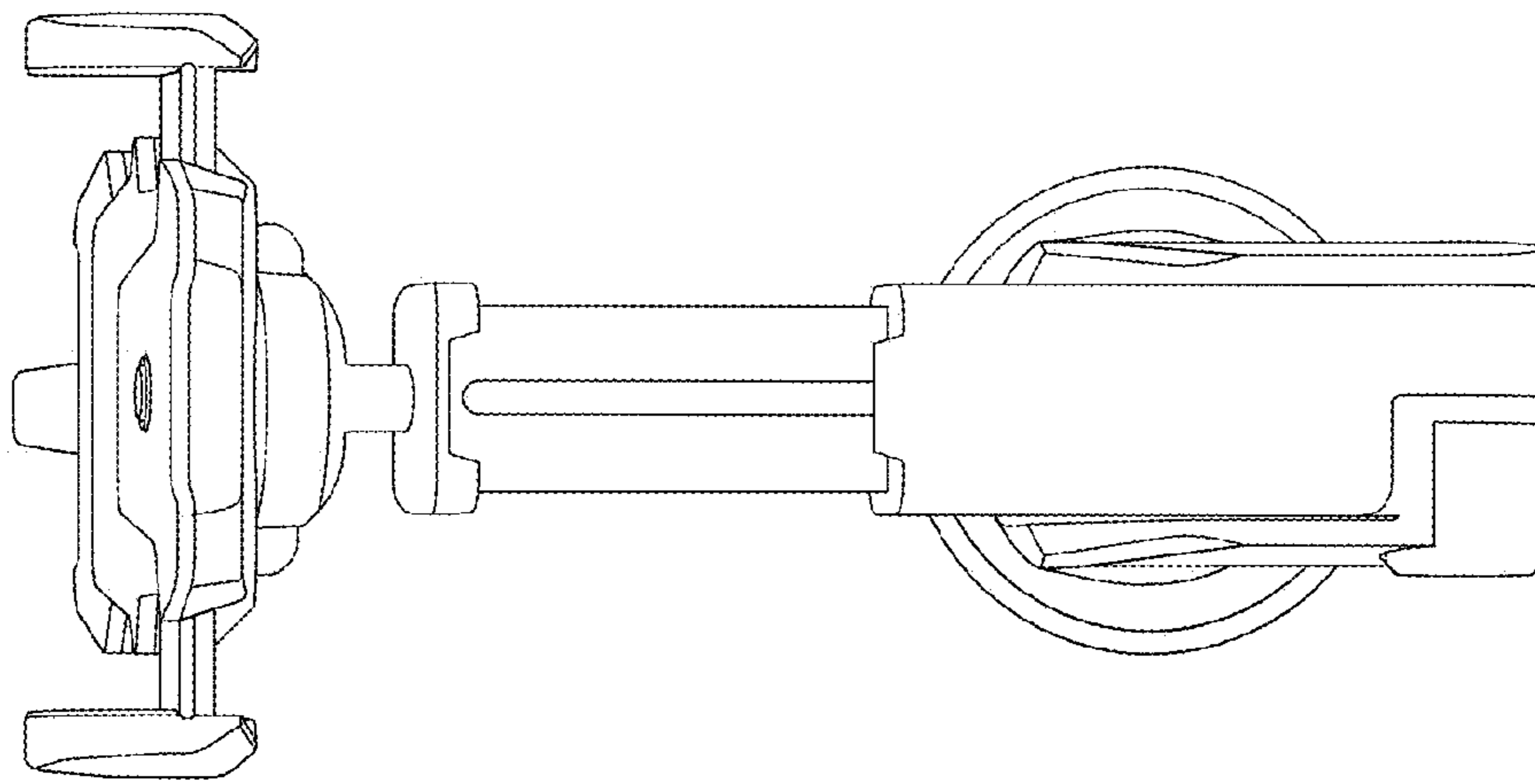


Fig. 17

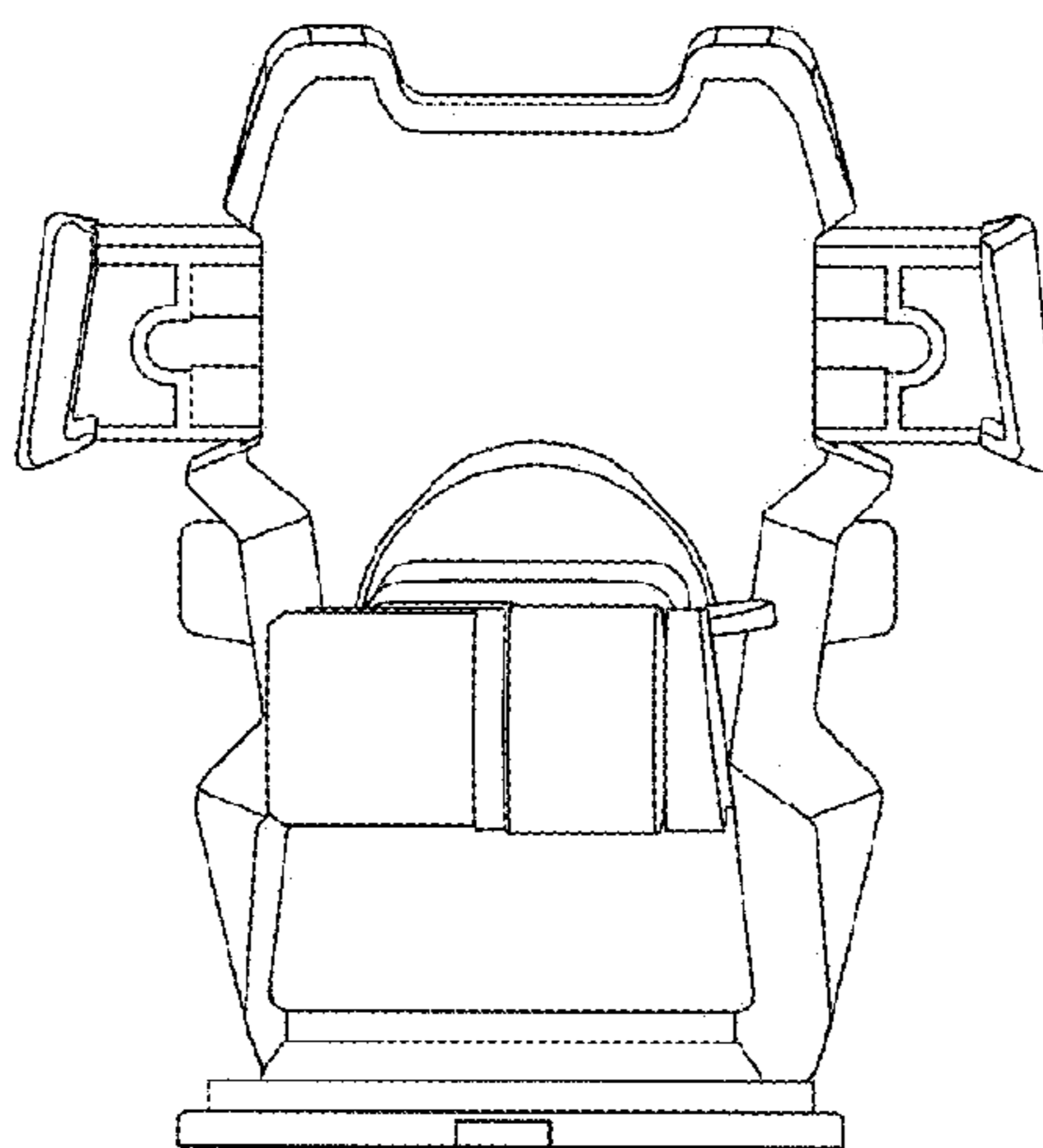


Fig. 18

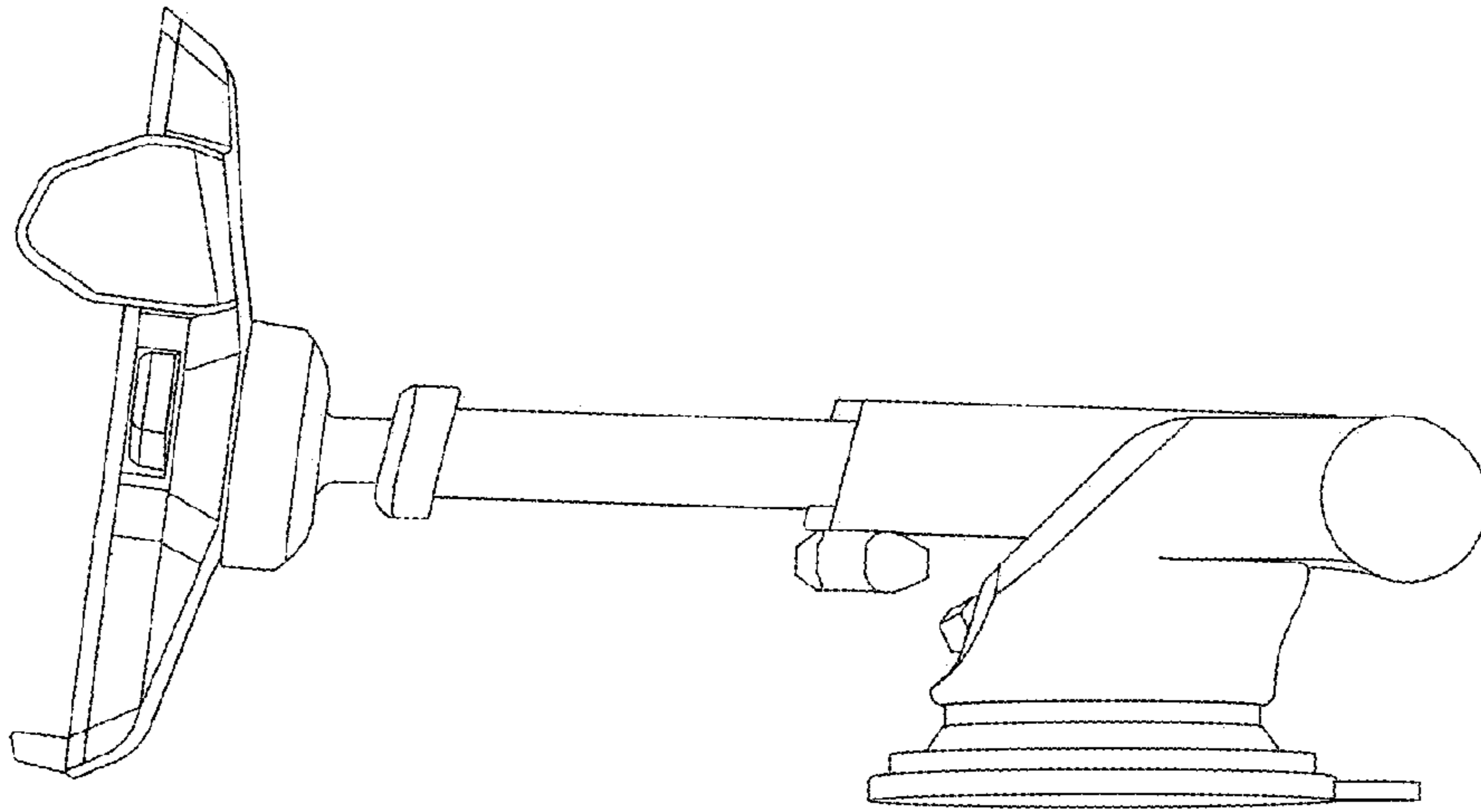


Fig. 19

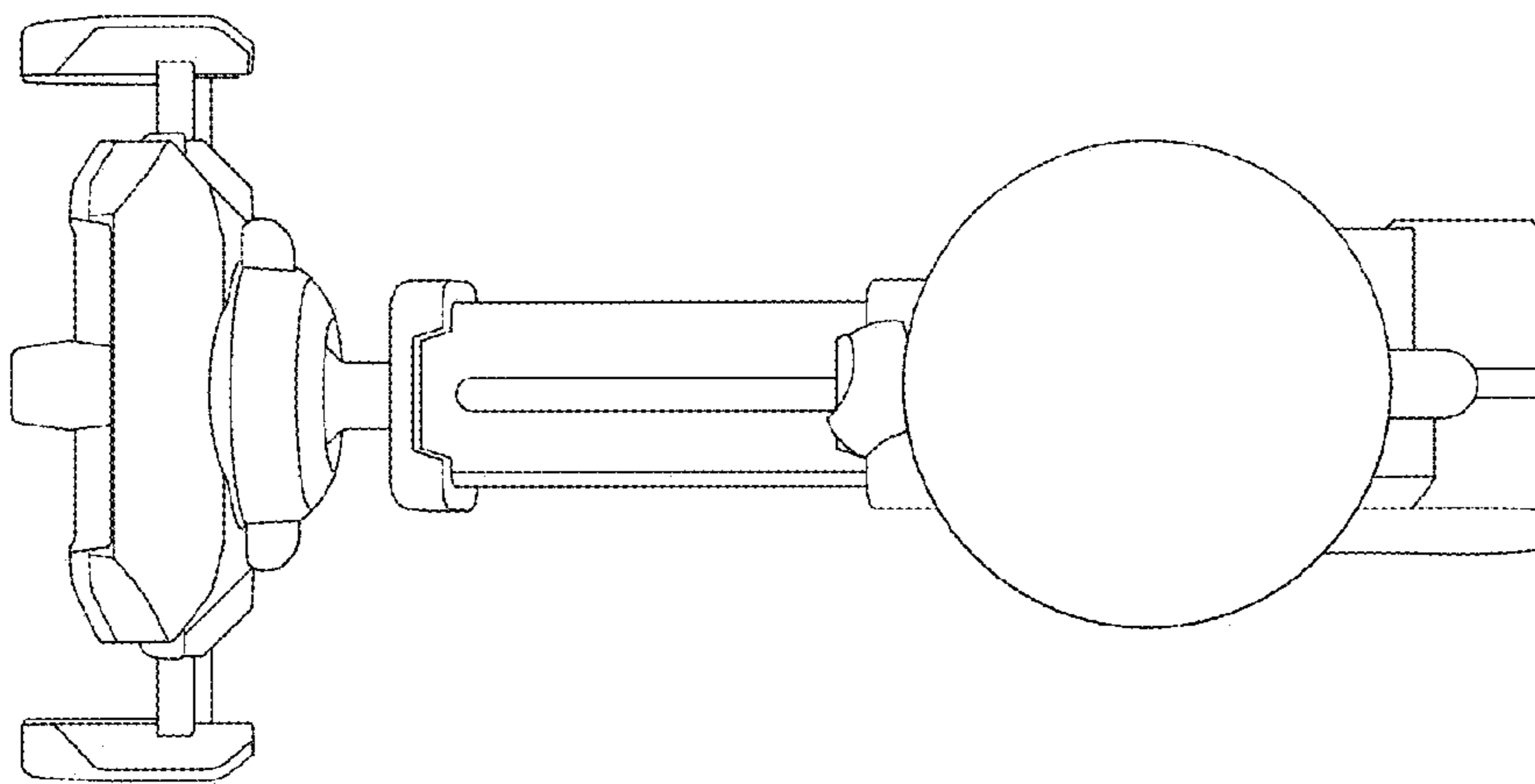


Fig. 20

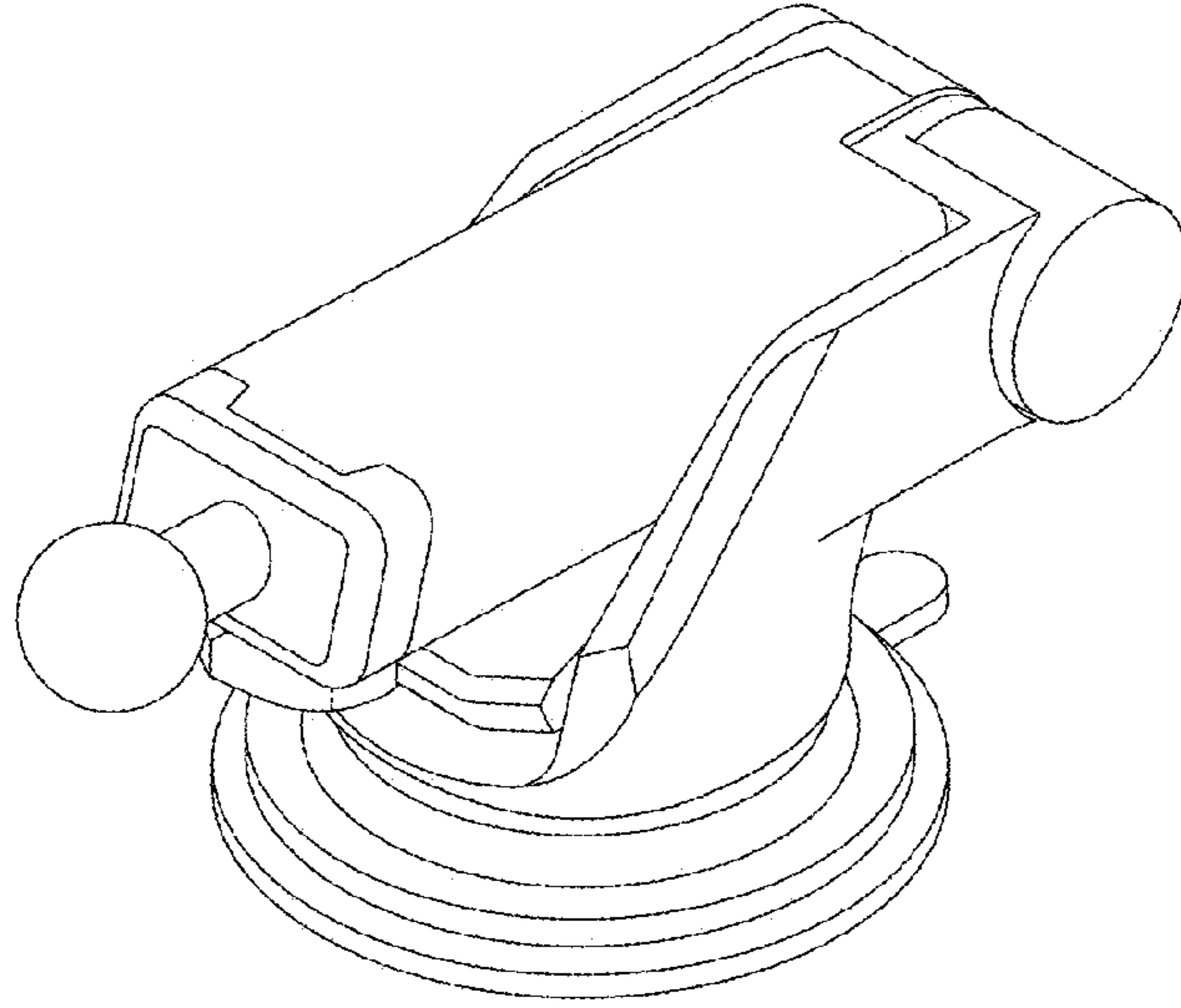


Fig. 21

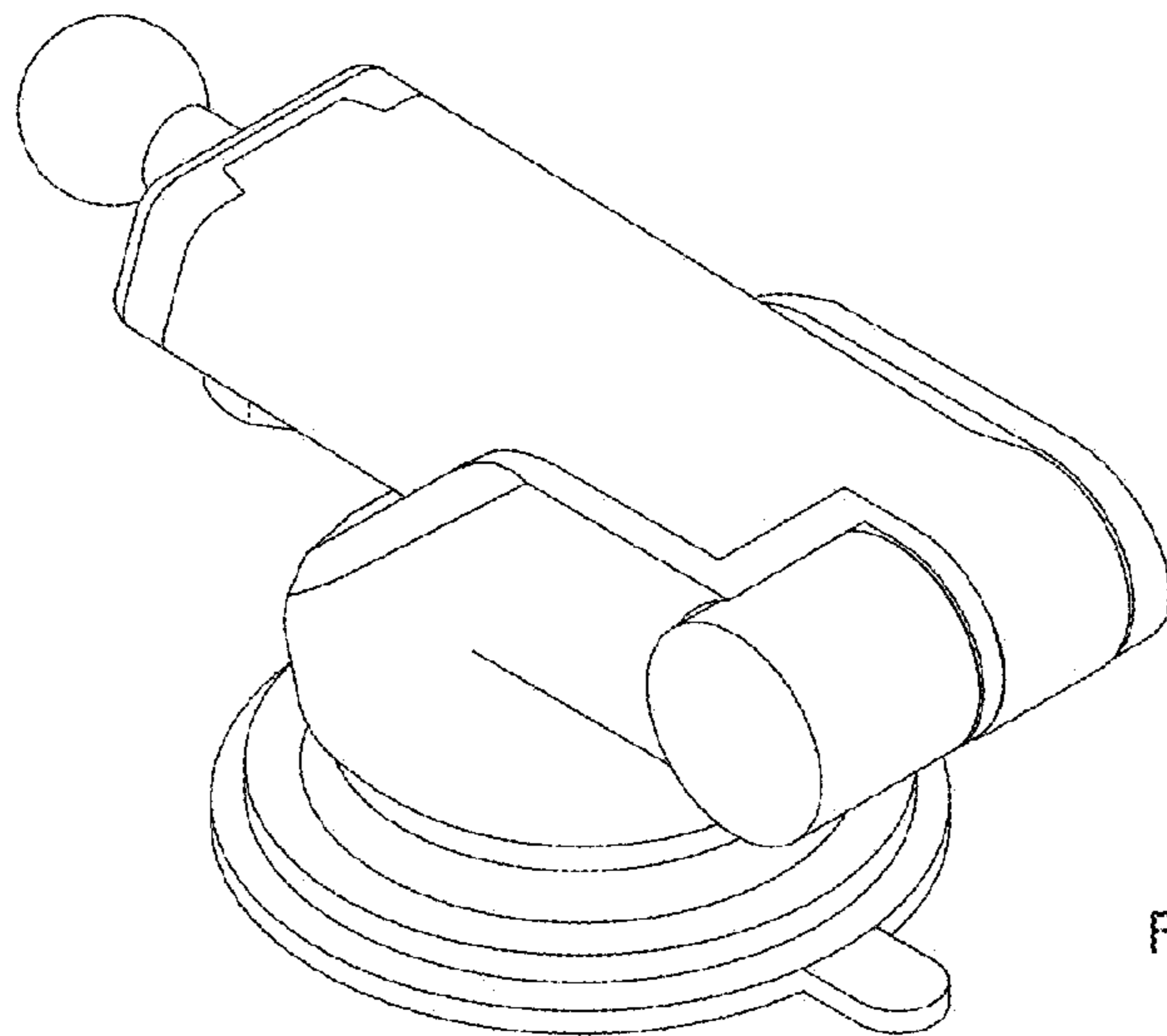


Fig. 22

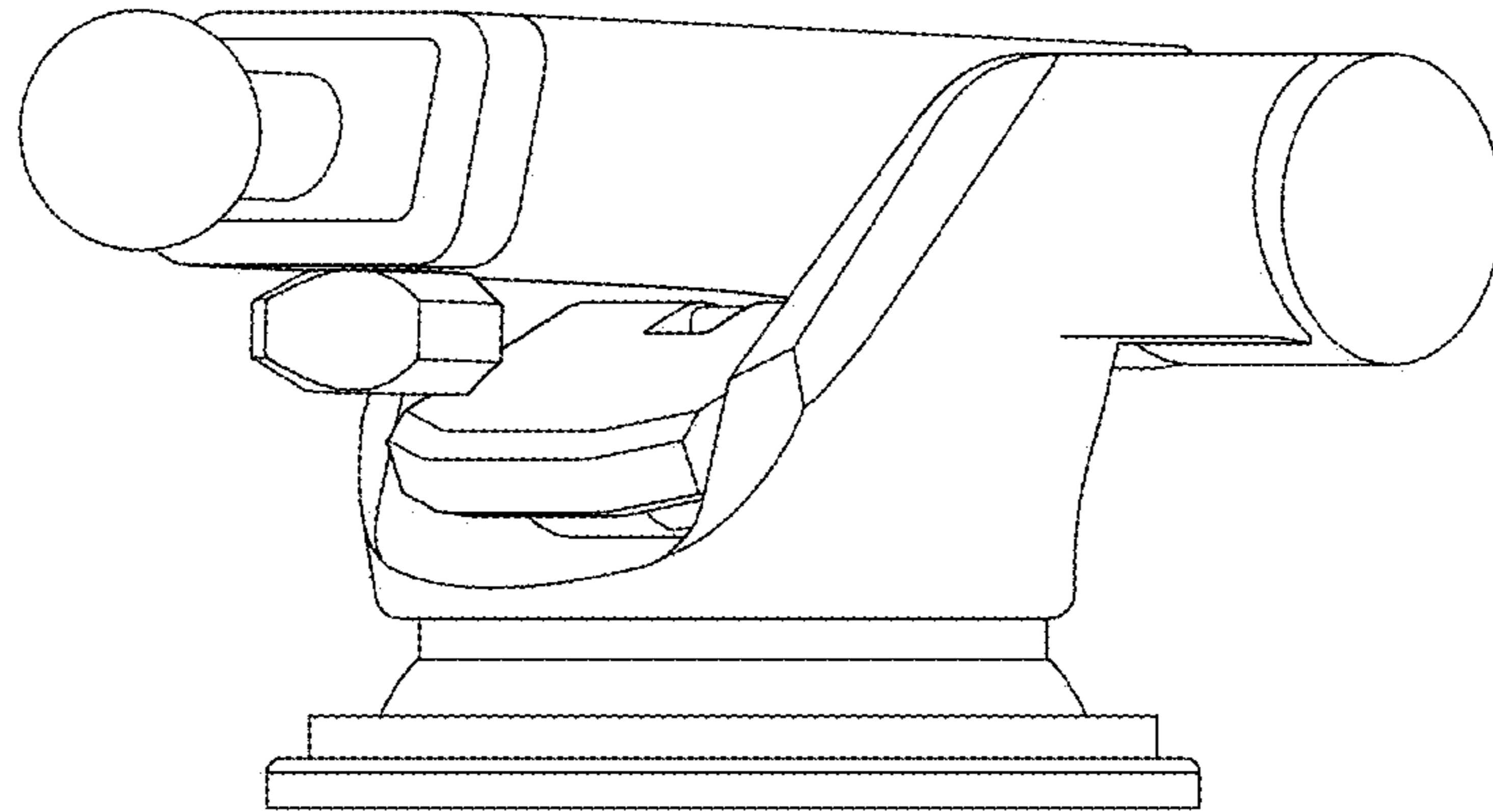


Fig. 23

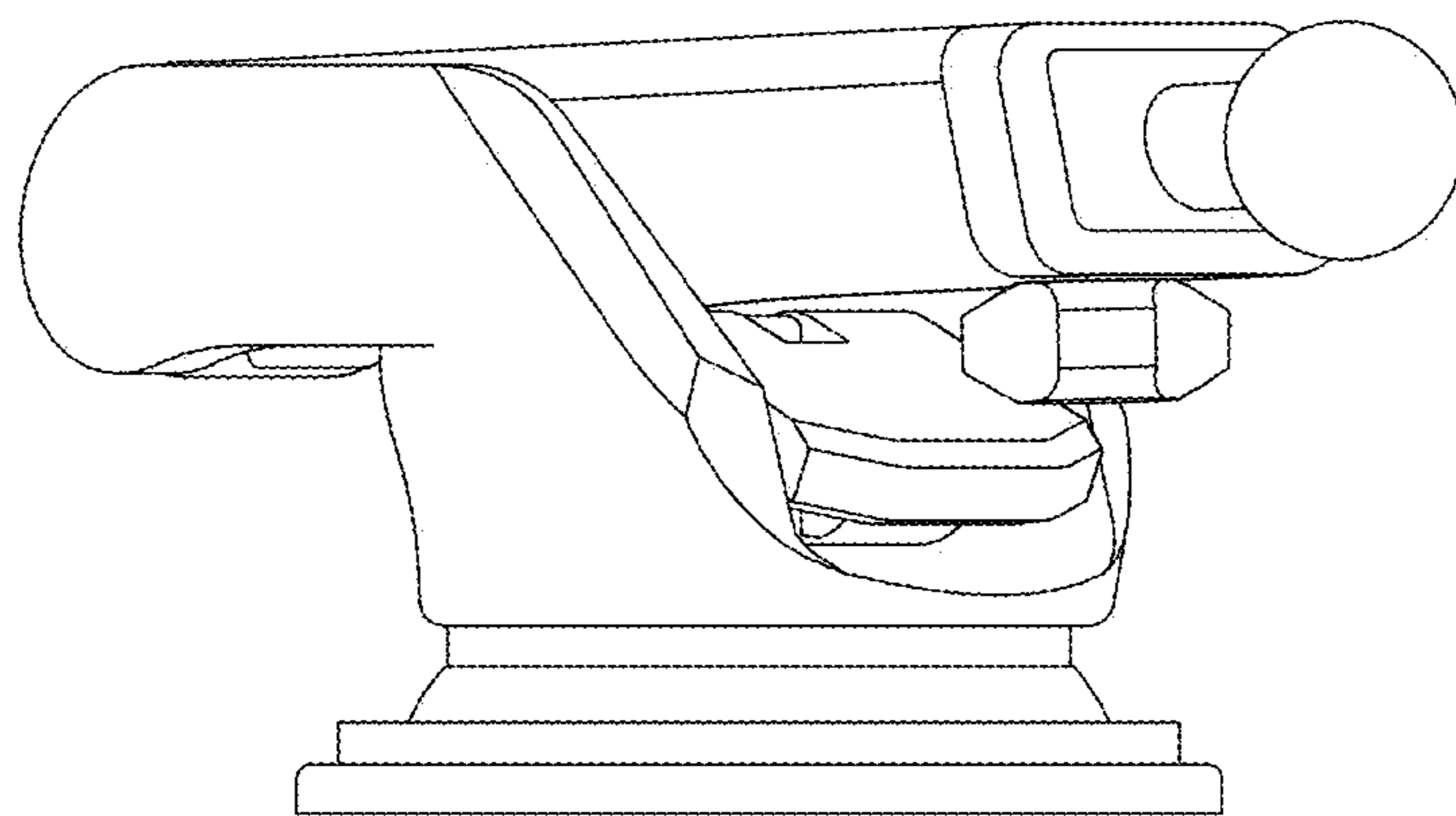


Fig. 24

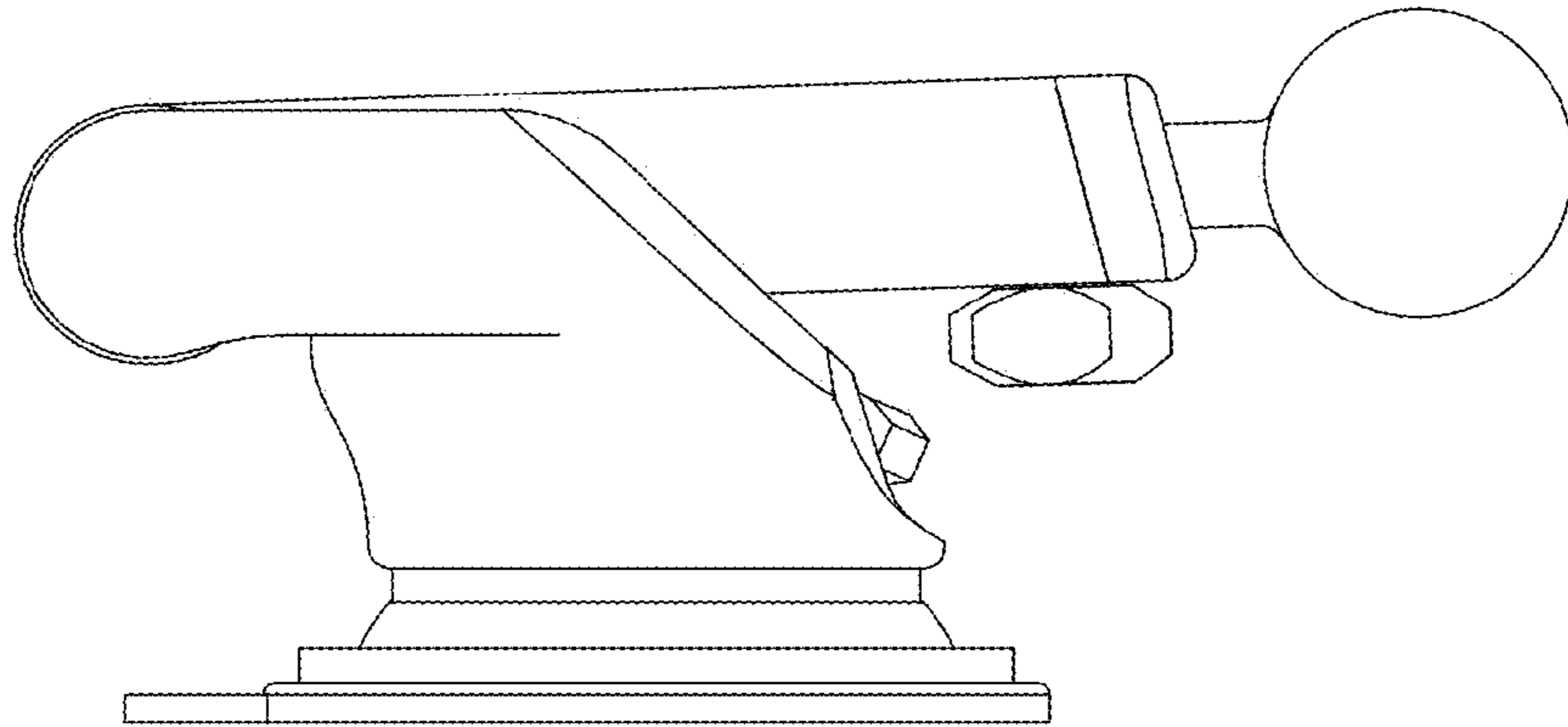


Fig. 25

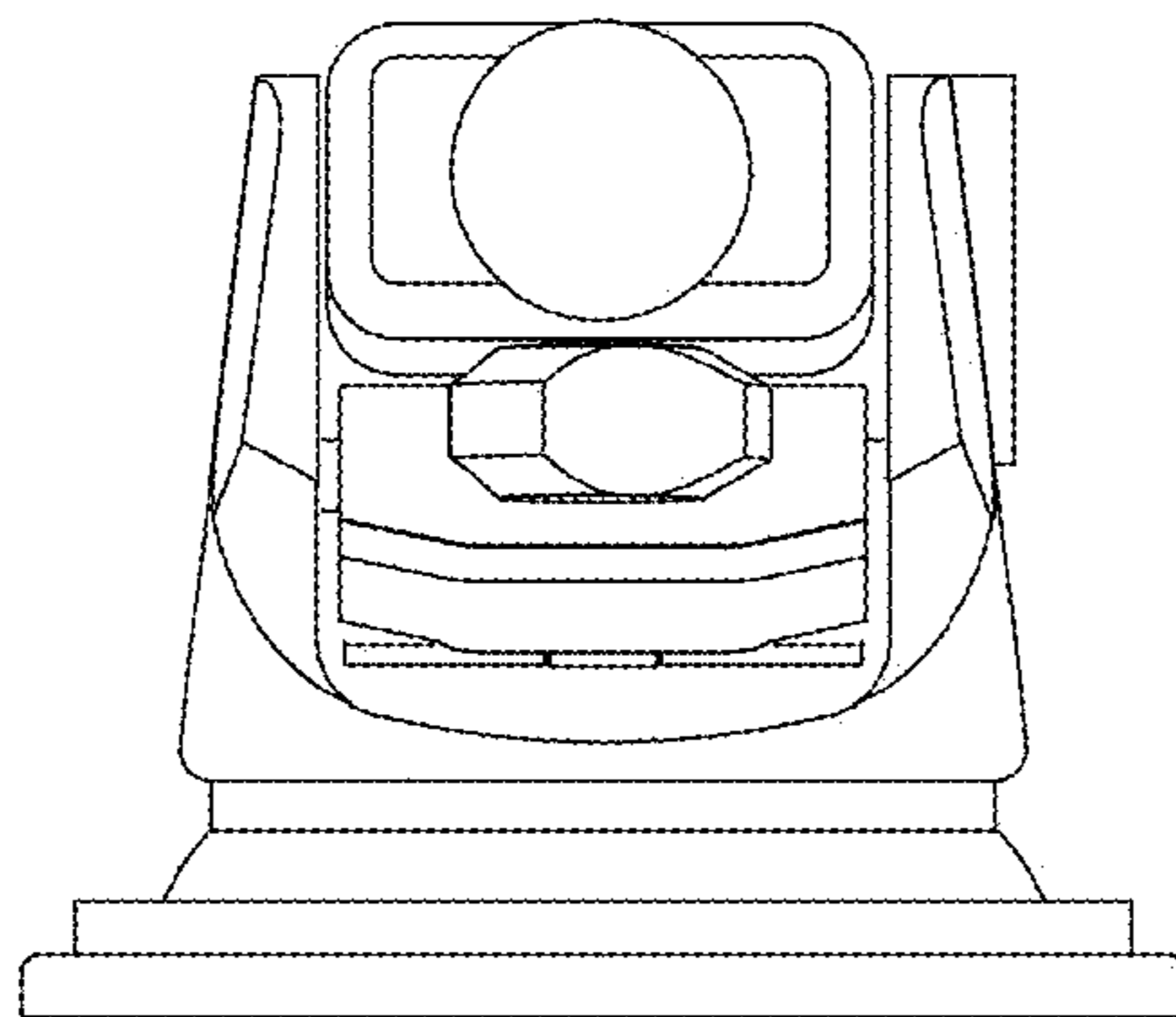


Fig. 26

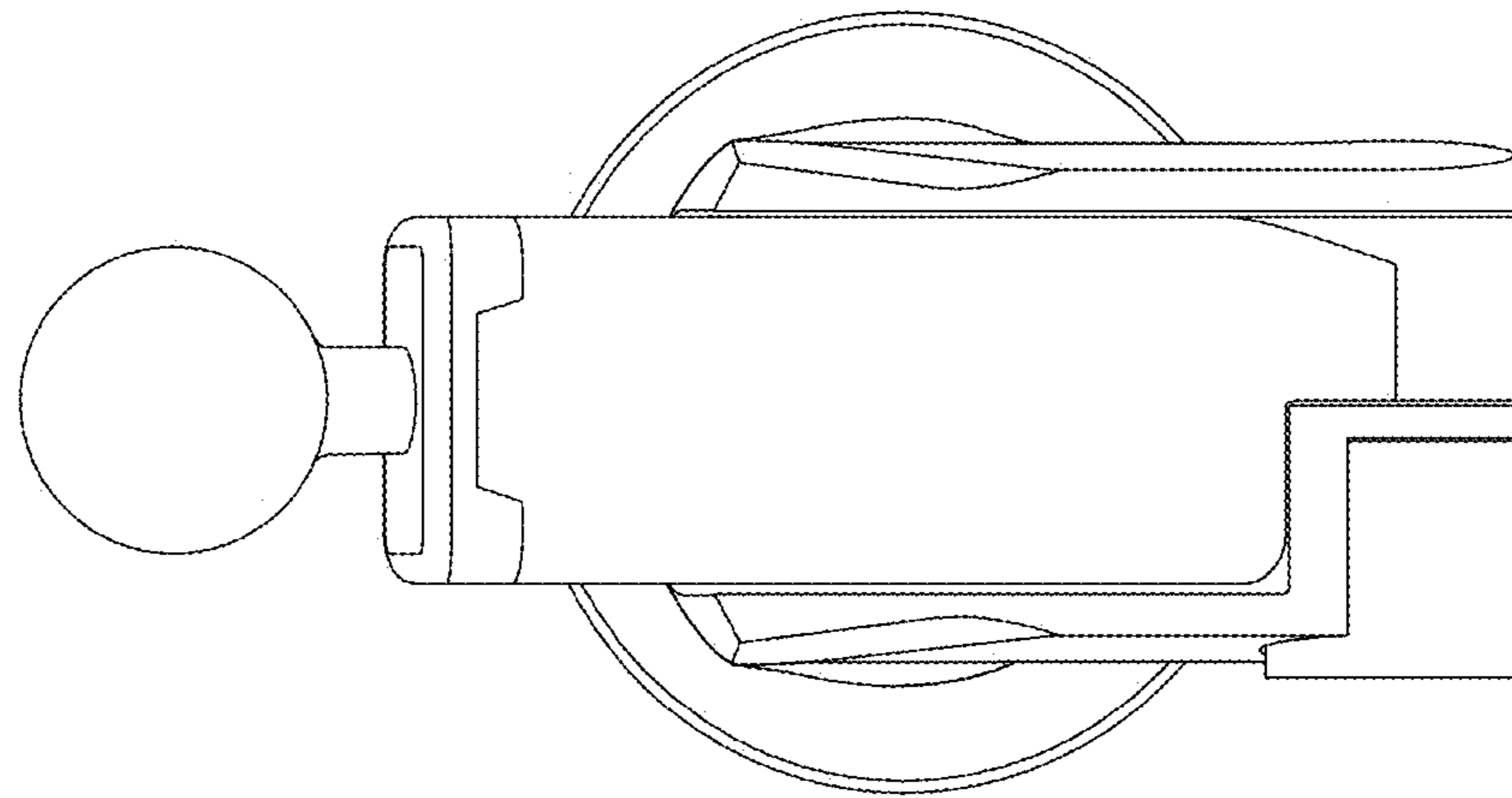


Fig. 27

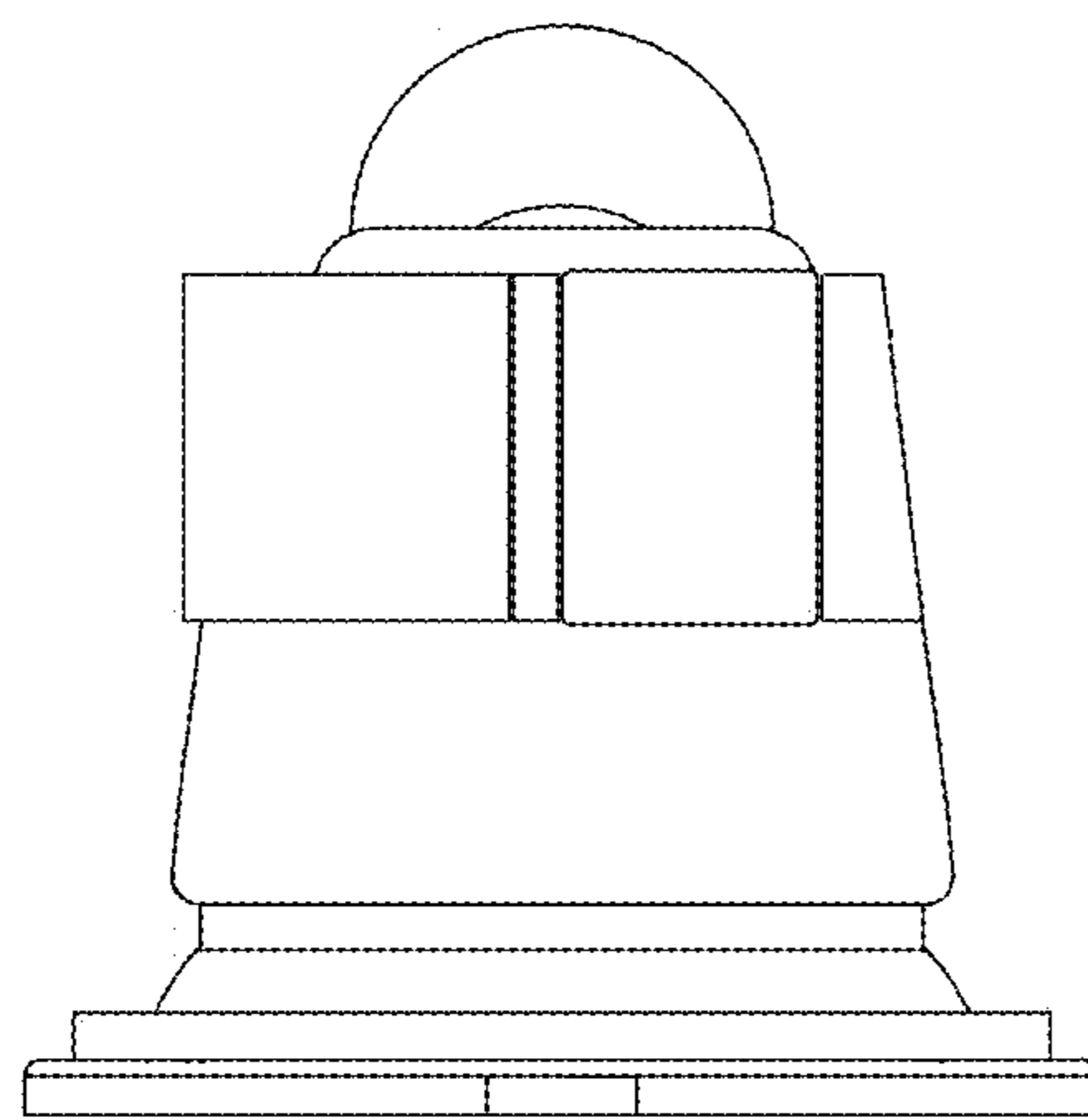


Fig. 28

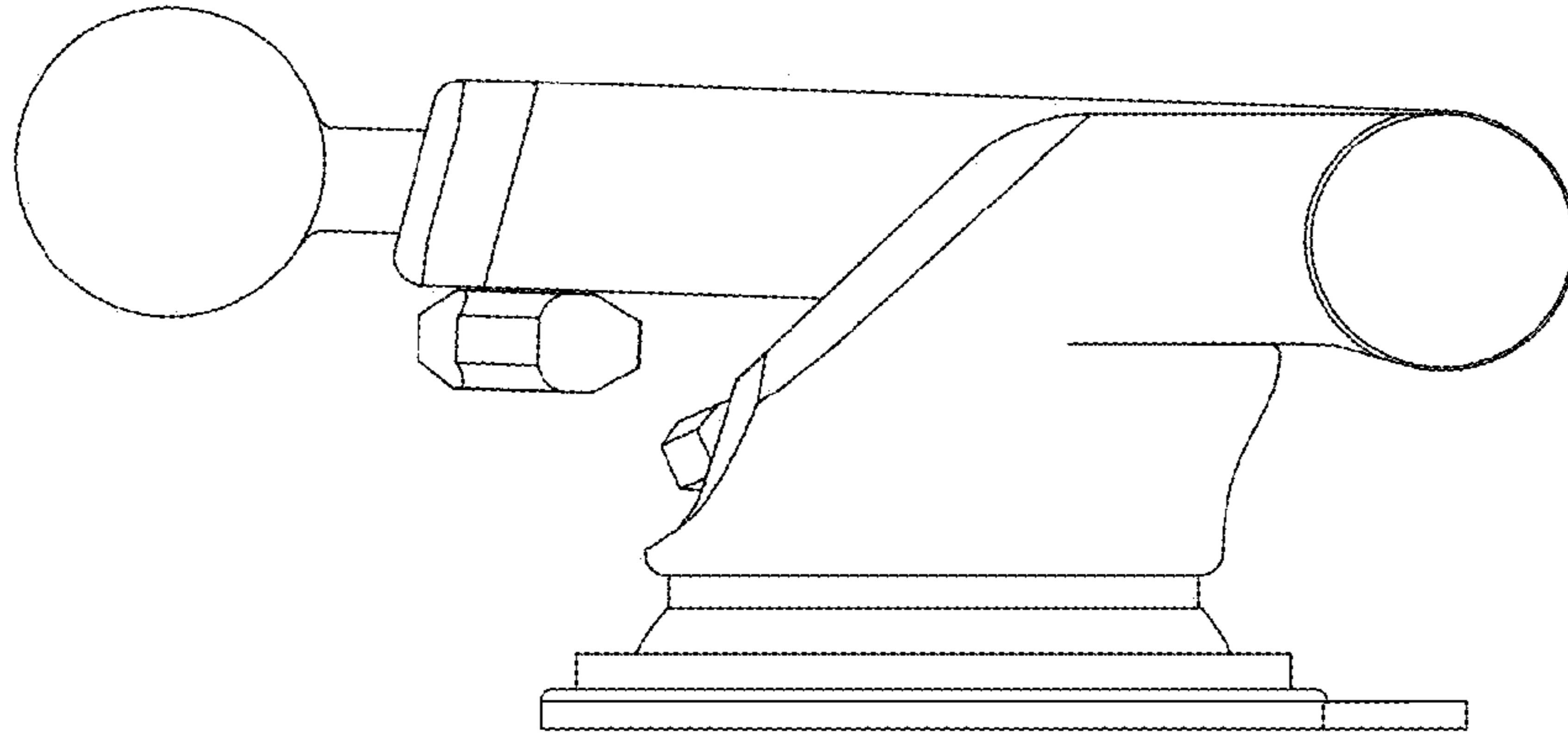


Fig. 29

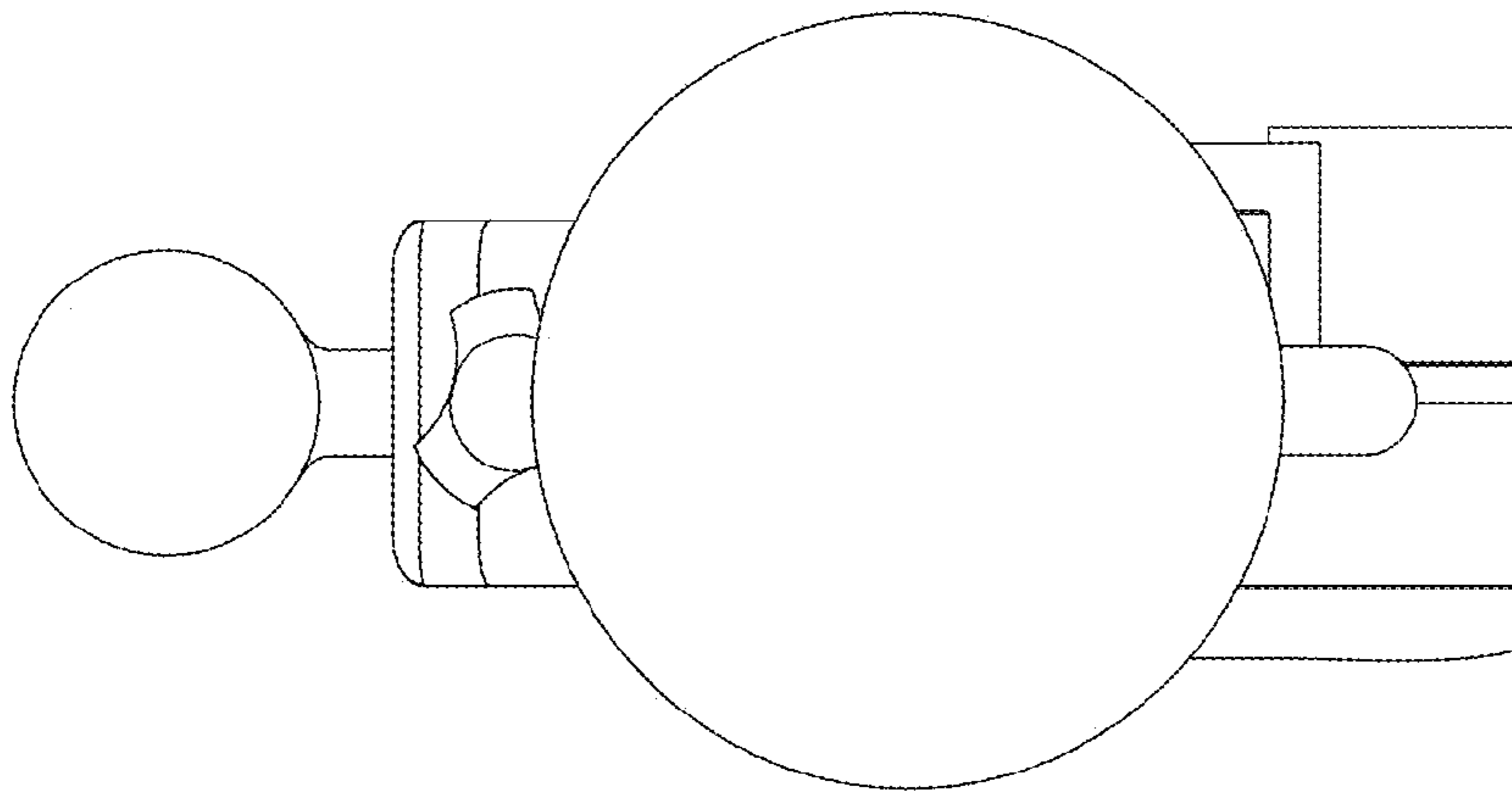


Fig. 30

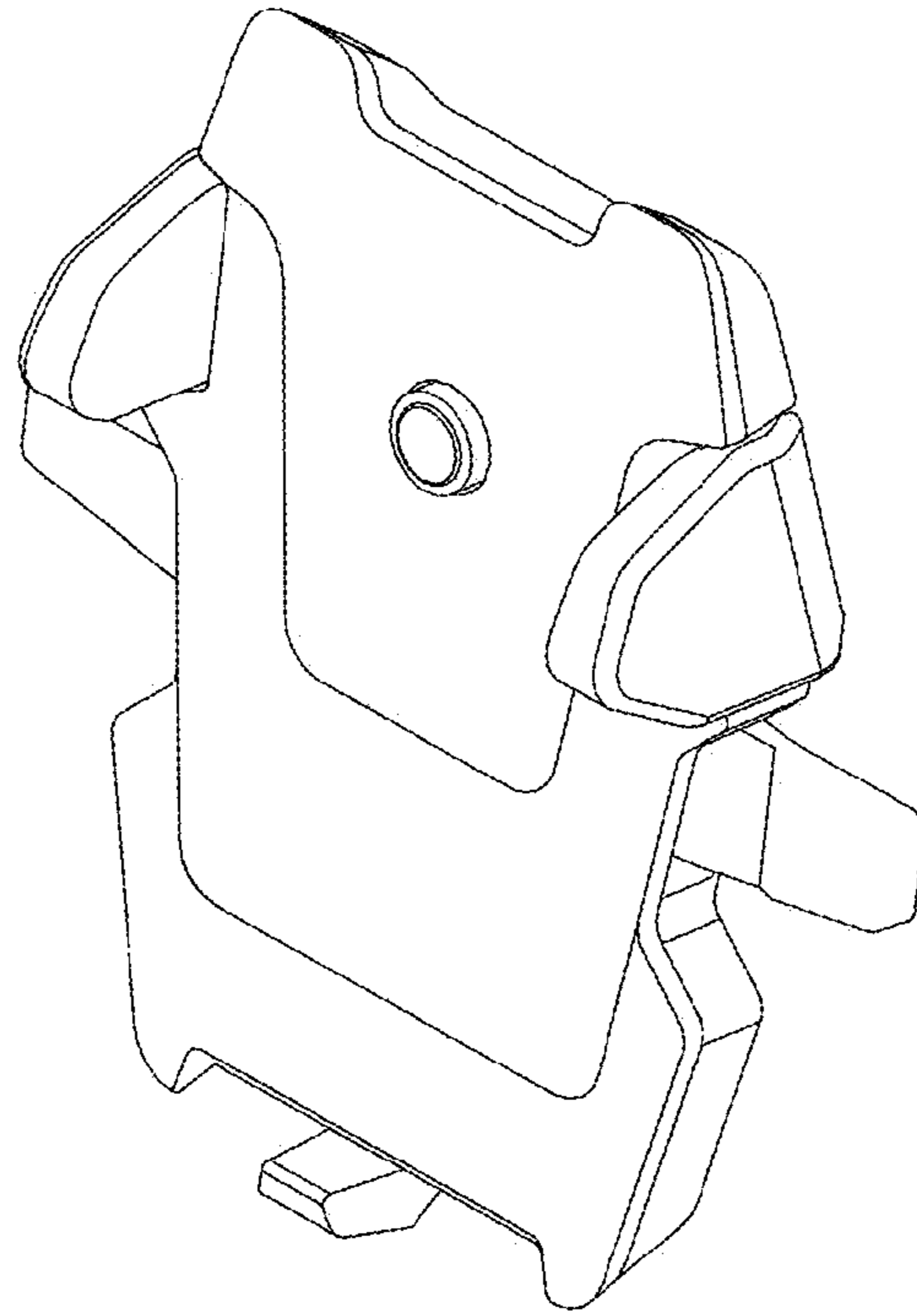


Fig. 31

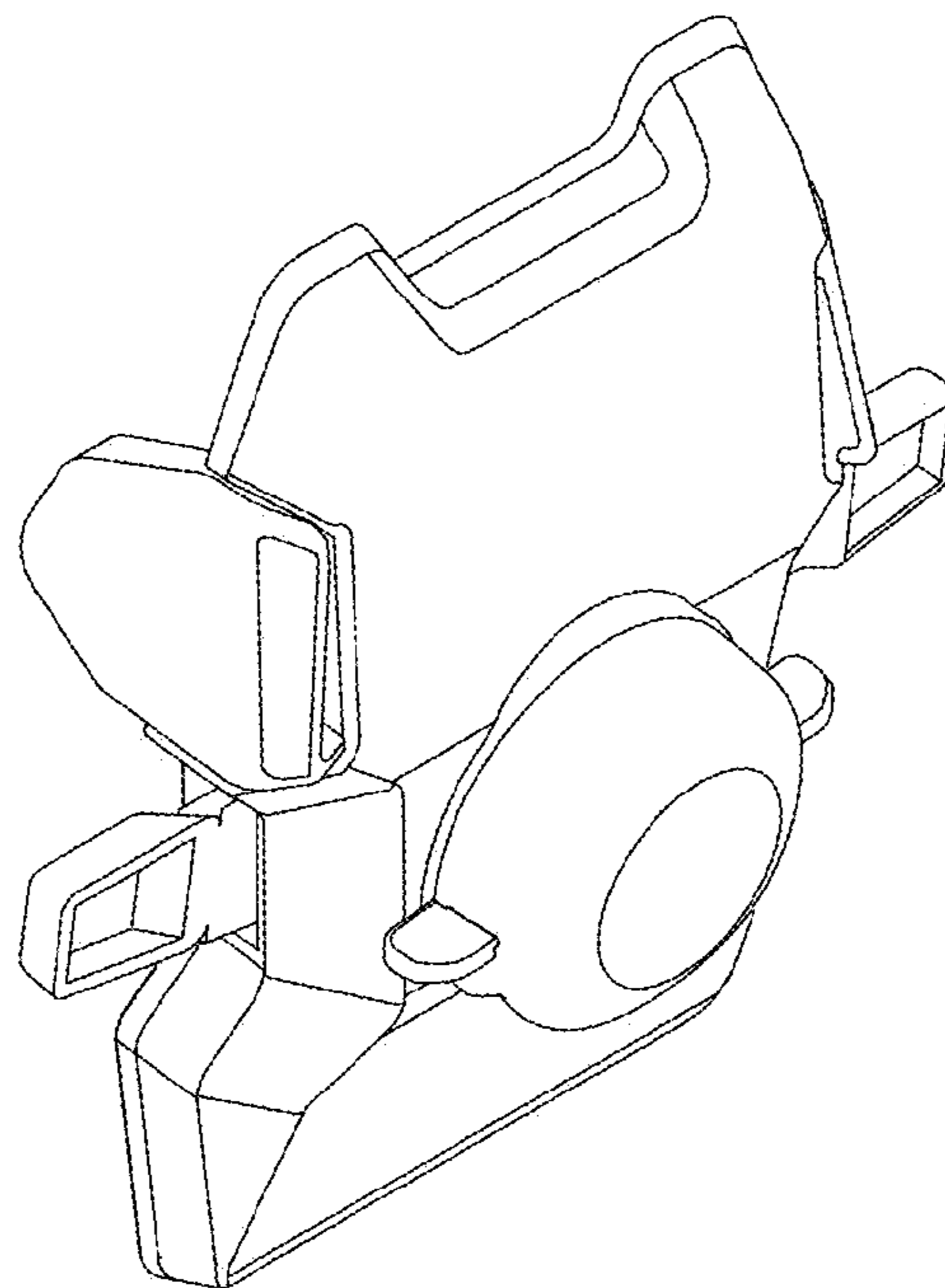


Fig. 32

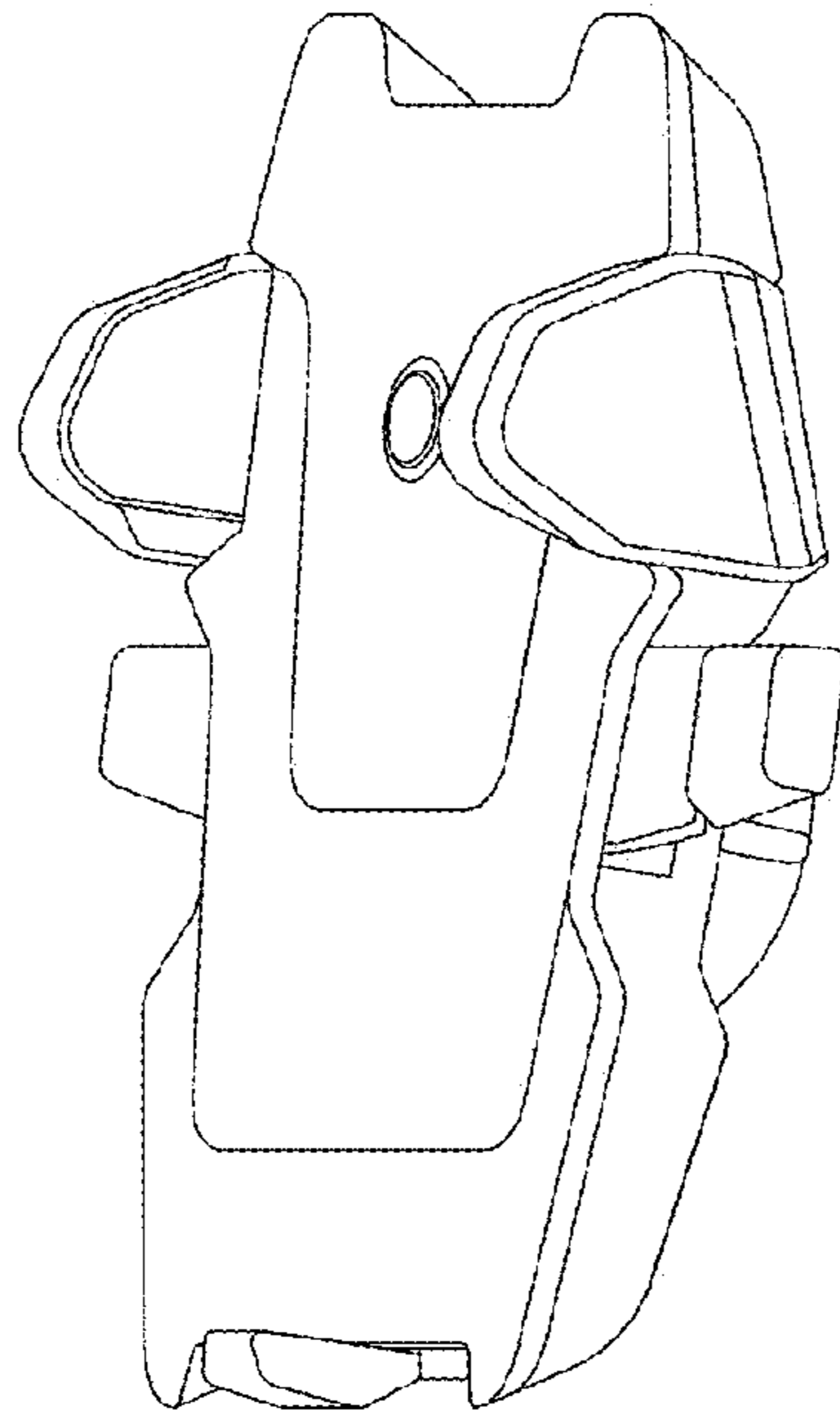


Fig. 33

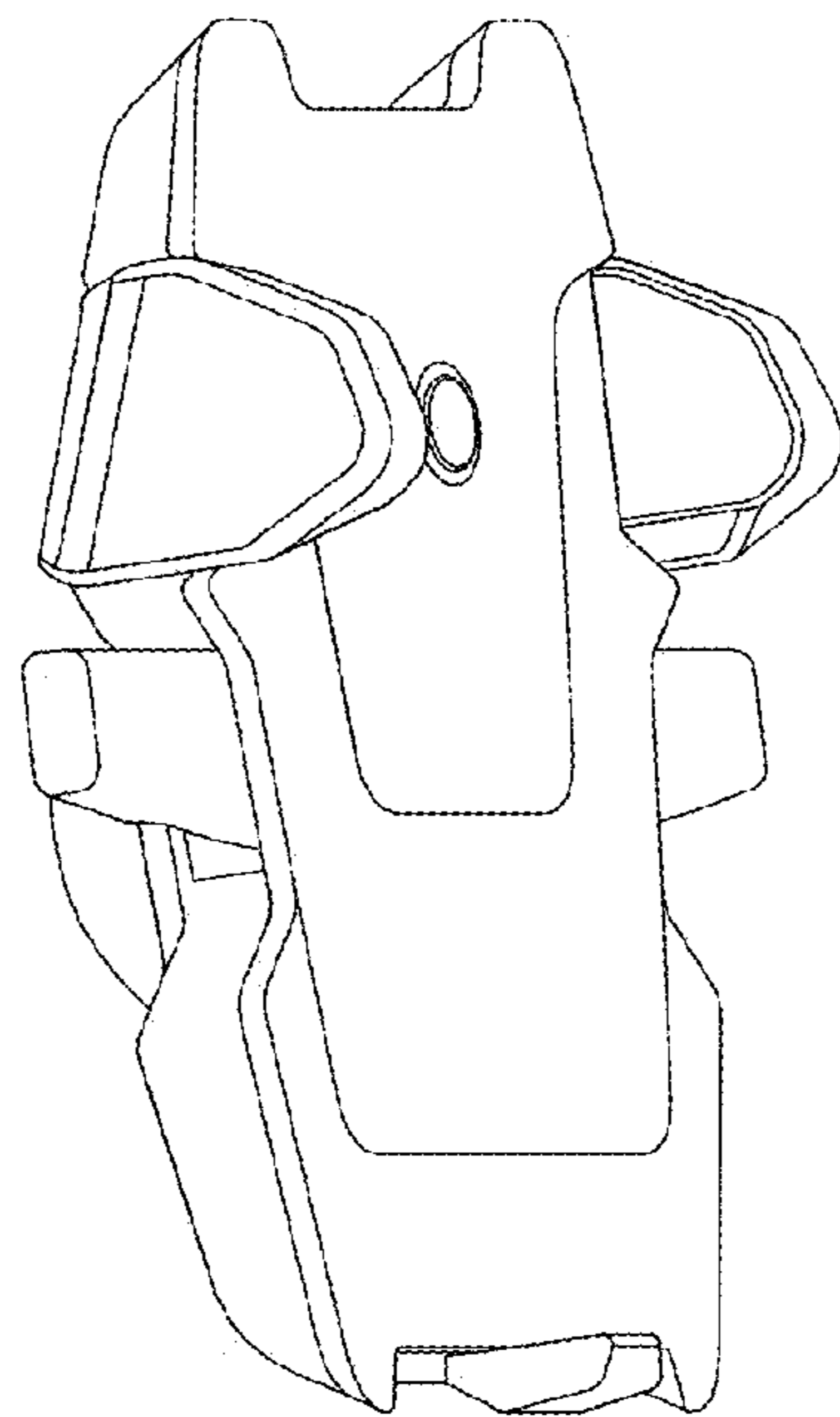


Fig. 34

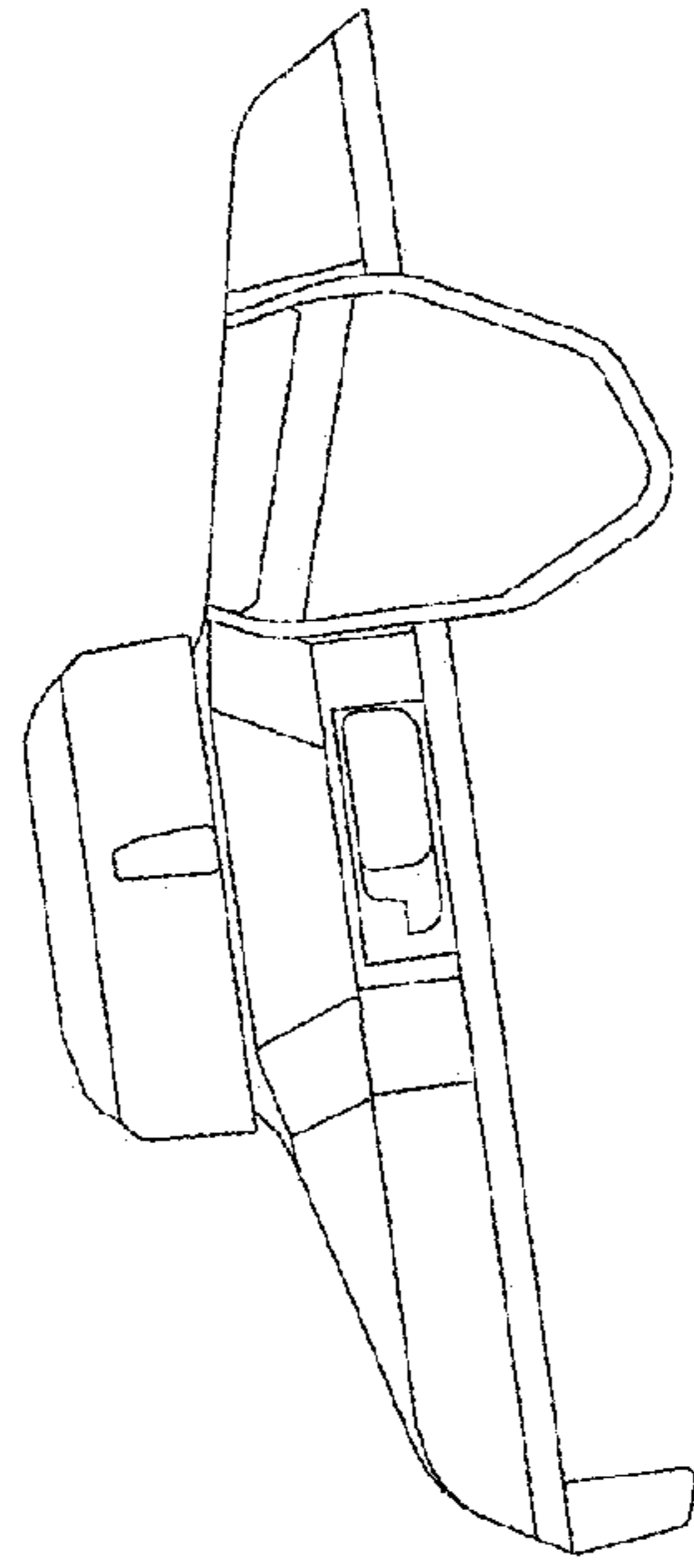


Fig. 35

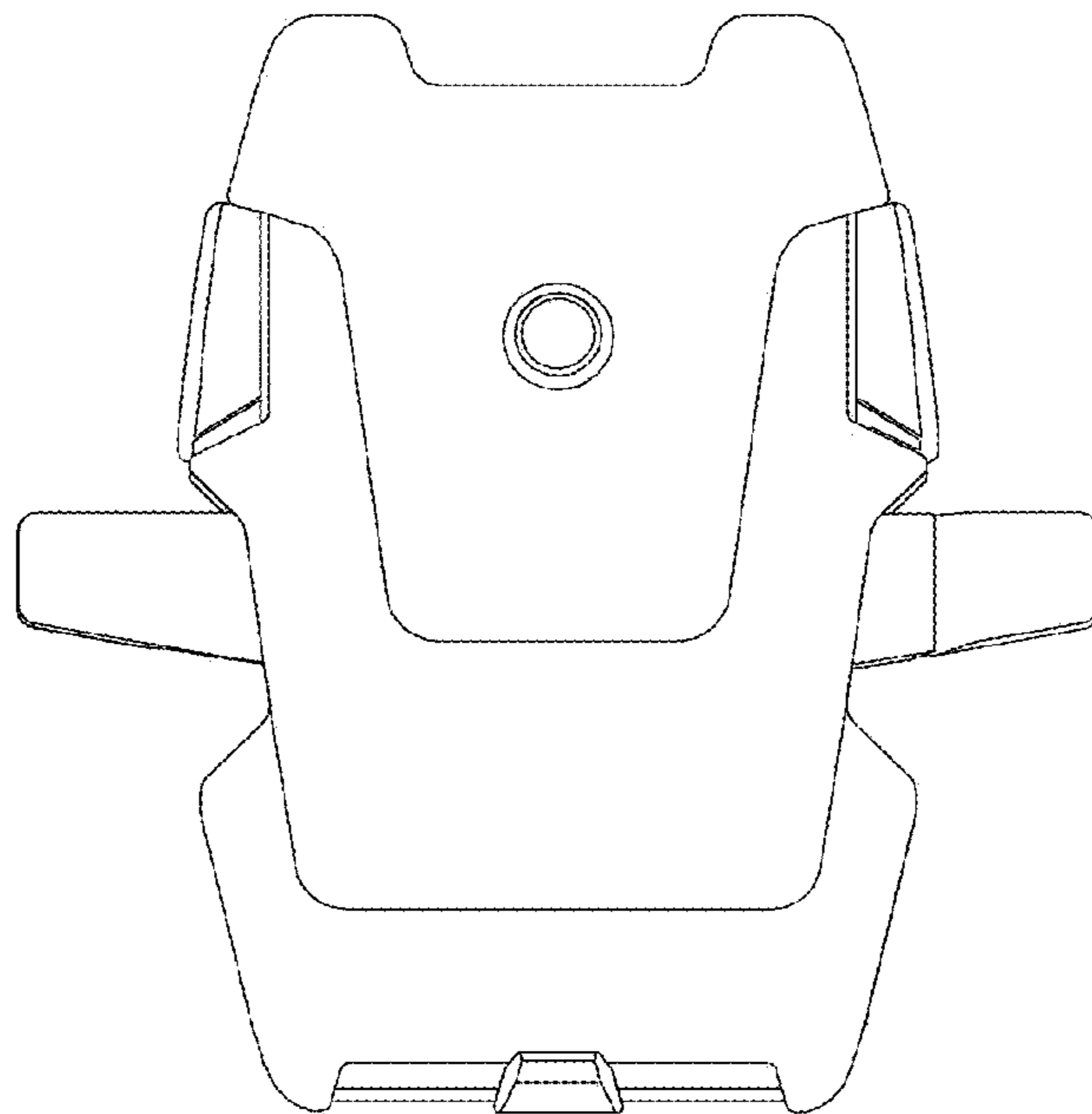


Fig. 36

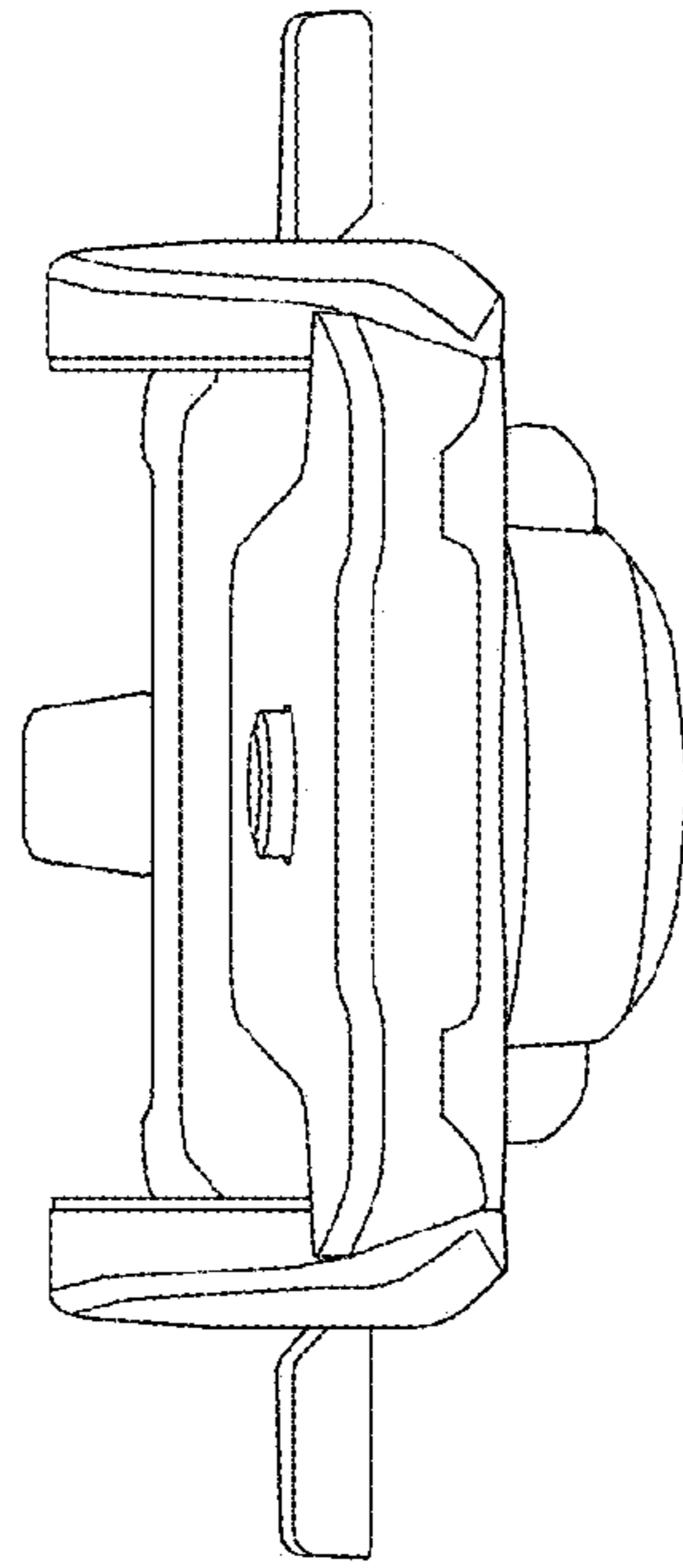


Fig. 37

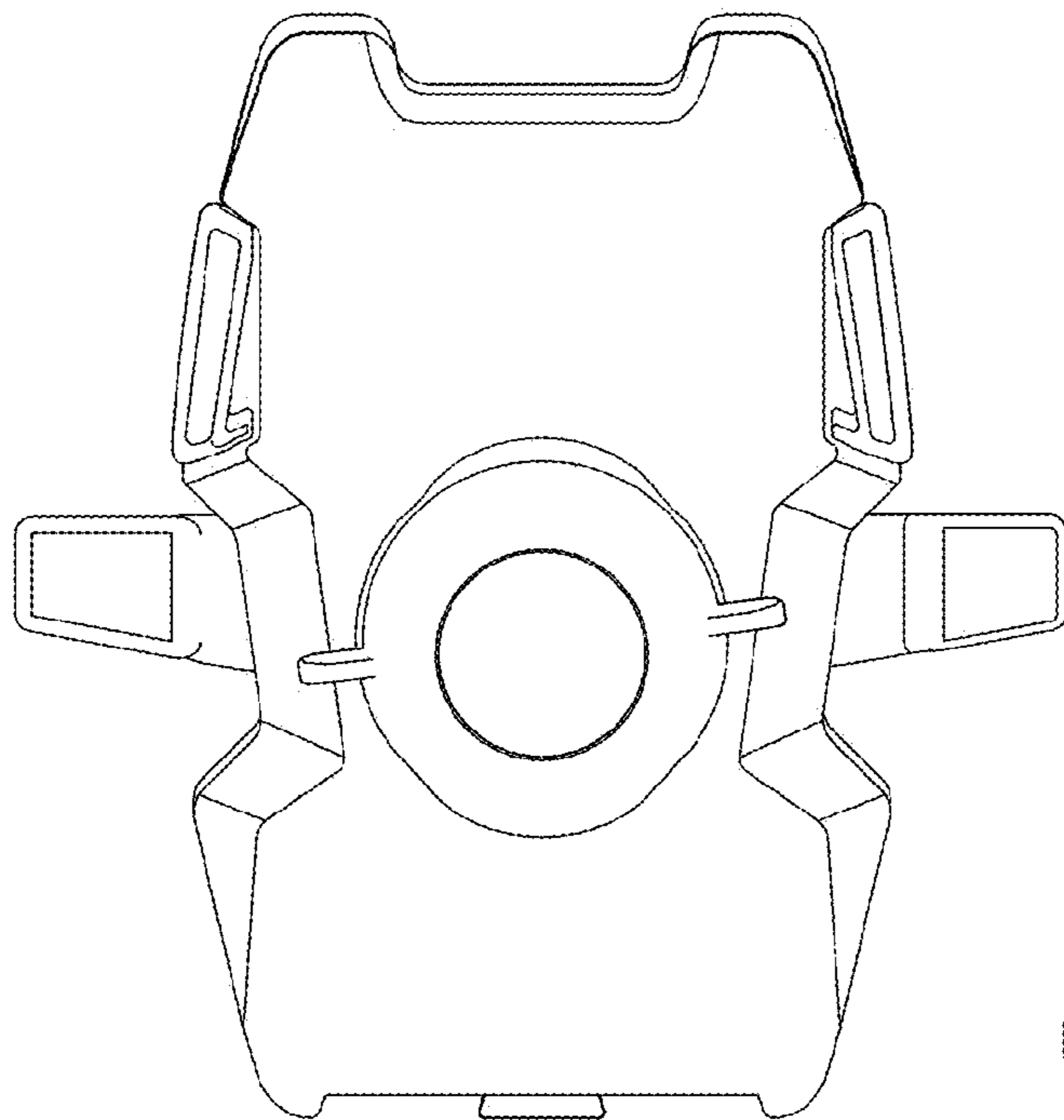


Fig. 38

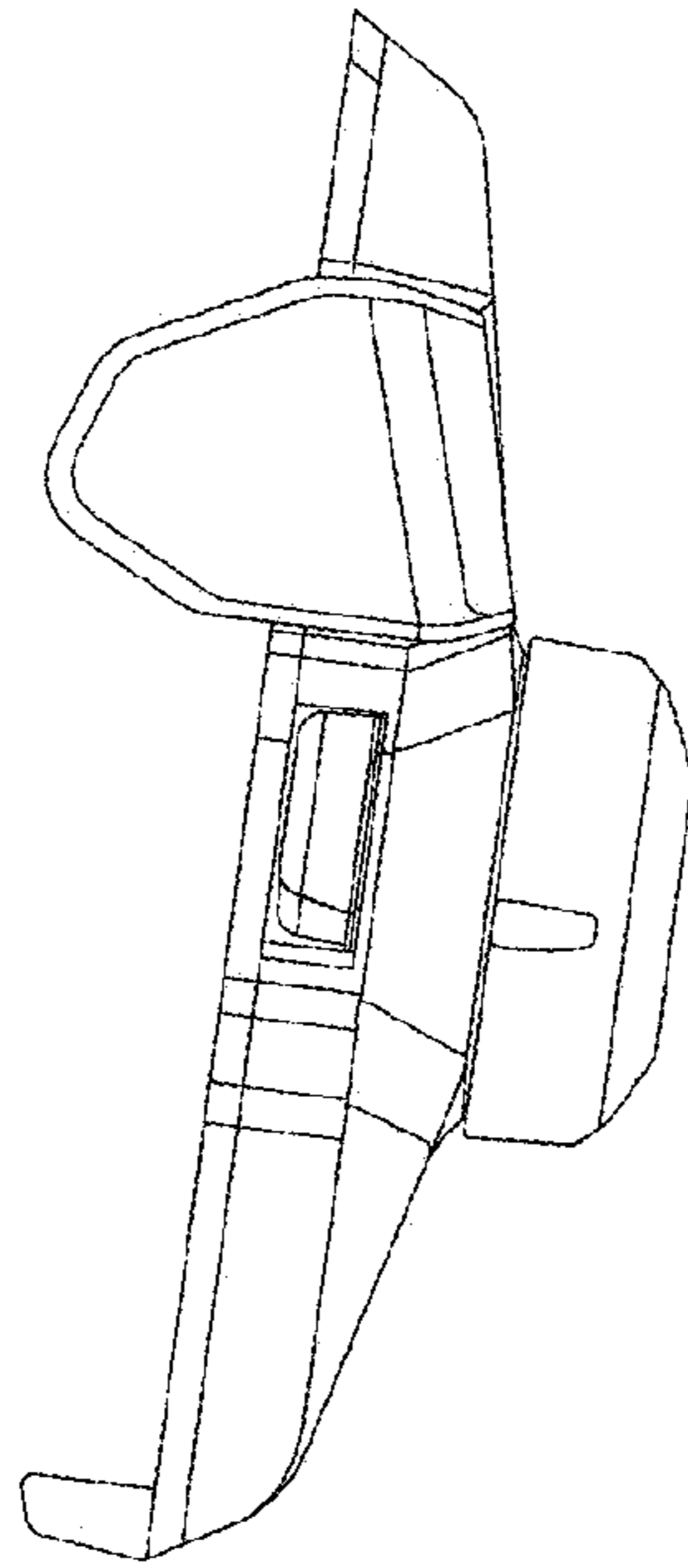


Fig. 39

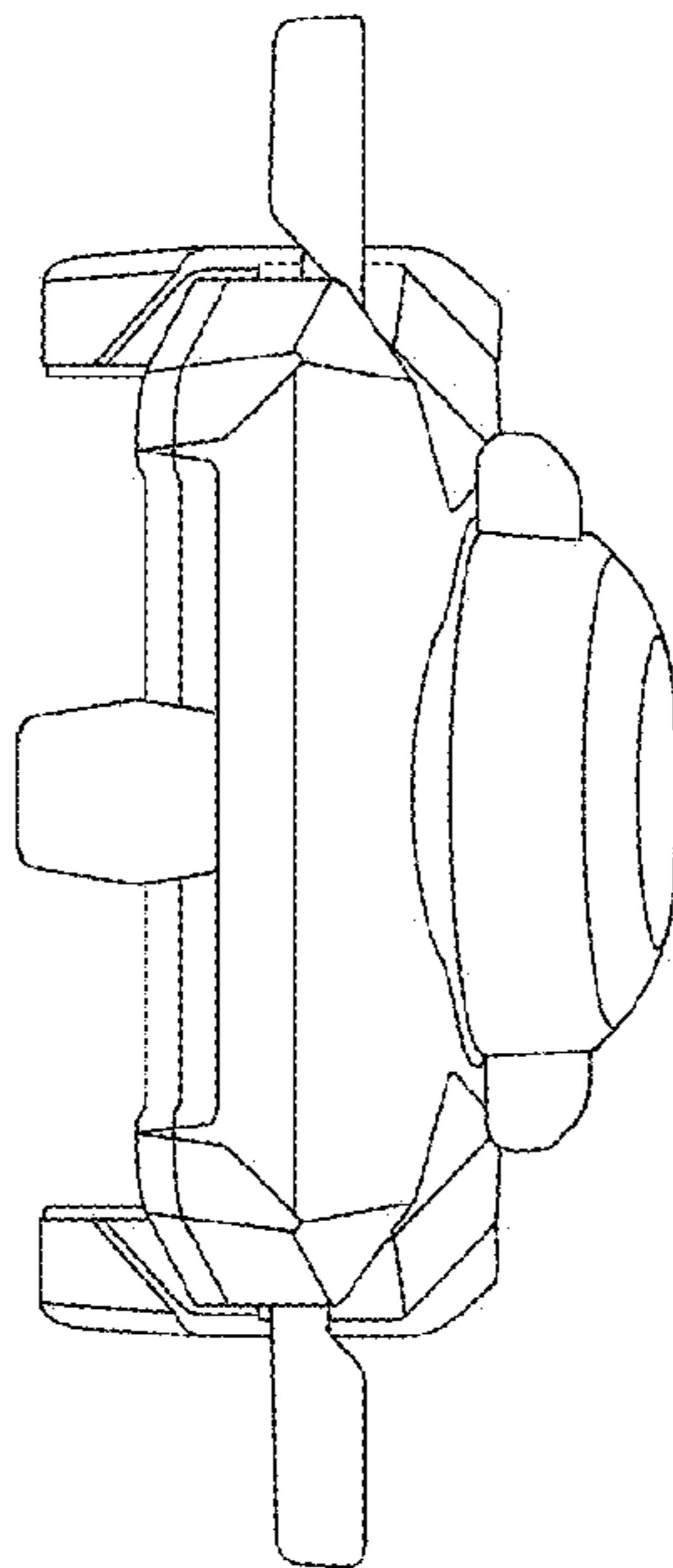


Fig. 40