



US00D718296S

(12) **United States Design Patent**
Namminga et al.

(10) **Patent No.:** **US D718,296 S**
(45) **Date of Patent:** **** Nov. 25, 2014**

- (54) **MOBILE DEVICE HOLDER**
- (71) Applicant: **Mophie, Inc.**, Tustin, CA (US)
- (72) Inventors: **Andrew Namminga**, Costa Mesa, CA (US); **Sean Michael Stuck**, Portland, OR (US); **William Benjamin Hasbrook**, Tualatin, OR (US)
- (73) Assignee: **Mophie, Inc.**, Tustin, CA (US)
- (**) Term: **14 Years**
- (21) Appl. No.: **29/465,738**
- (22) Filed: **Aug. 30, 2013**
- (51) **LOC (10) Cl.** **14-03**
- (52) **U.S. Cl.**
USPC **D14/253**
- (58) **Field of Classification Search**
USPC D14/208, 209.1, 217, 238.1, 243, D14/250–253, 434, 440, 447, 496, D14/203.3–203.7, 248, 240, 341–347; D3/201, 215, 218, 226, 269, 273, 301, D3/303; D19/90; D6/553; 455/575.1, 455/575.8; 206/305, 320; 320/108, 115; 429/96; 220/4.02; 150/165; 361/679.56, 679.3, 679.25, 816; 379/426, 446, 455, 433.1; 248/309.1, 248/371, 176.3, 668; 224/411; D12/223, D12/407, 415; D13/102, 108
See application file for complete search history.

- D657,137 S * 4/2012 Weller et al. D3/218
- D657,355 S * 4/2012 Wikel et al. D14/253
- D657,356 S * 4/2012 Wikel D14/253
- D661,482 S * 6/2012 Chang et al. D3/218
- D661,483 S * 6/2012 Weller et al. D3/218
- D683,955 S * 6/2013 Melanson et al. D3/218
- D690,689 S * 10/2013 Wikel D14/253
- D690,690 S * 10/2013 Wikel et al. D14/253
- D693,802 S * 11/2013 Wikel D14/253
- 2011/0183728 A1 * 7/2011 Lin 455/575.1

OTHER PUBLICATIONS

Nick Guy, "Review: Mophie Juice Pack Pro for iPhone 4+4S," dated Jun. 27, 2012, <http://www.ilounge.com/index.php/reviews/entry/mophie-juice-pack-pro-for-iphone-4-4s/>.
Mophie Belt Clip for Juice Pack for iPhone 4/4s, disclosed at least as early as Jul. 13, 2012.

* cited by examiner

Primary Examiner — Susan Bennett Hattan

Assistant Examiner — Janice Hallmark

(74) *Attorney, Agent, or Firm* — Knobbe Martens Olson & Bear LLP

(57) **CLAIM**

The ornamental design for a mobile device holder, as shown and described.

DESCRIPTION

FIG. 1 is a front view of the design for a mobile device holder; FIG. 2 is a rear view thereof; FIG. 3 is a right-side view thereof; FIG. 4 is a left-side view thereof; FIG. 5 is a top view thereof; FIG. 6 is a bottom view thereof; FIG. 7 is a front perspective view thereof; FIG. 8 is a rear perspective view thereof; and, FIG. 9 is a cross-sectional view thereof taken through line 9-9 of FIG. 2.

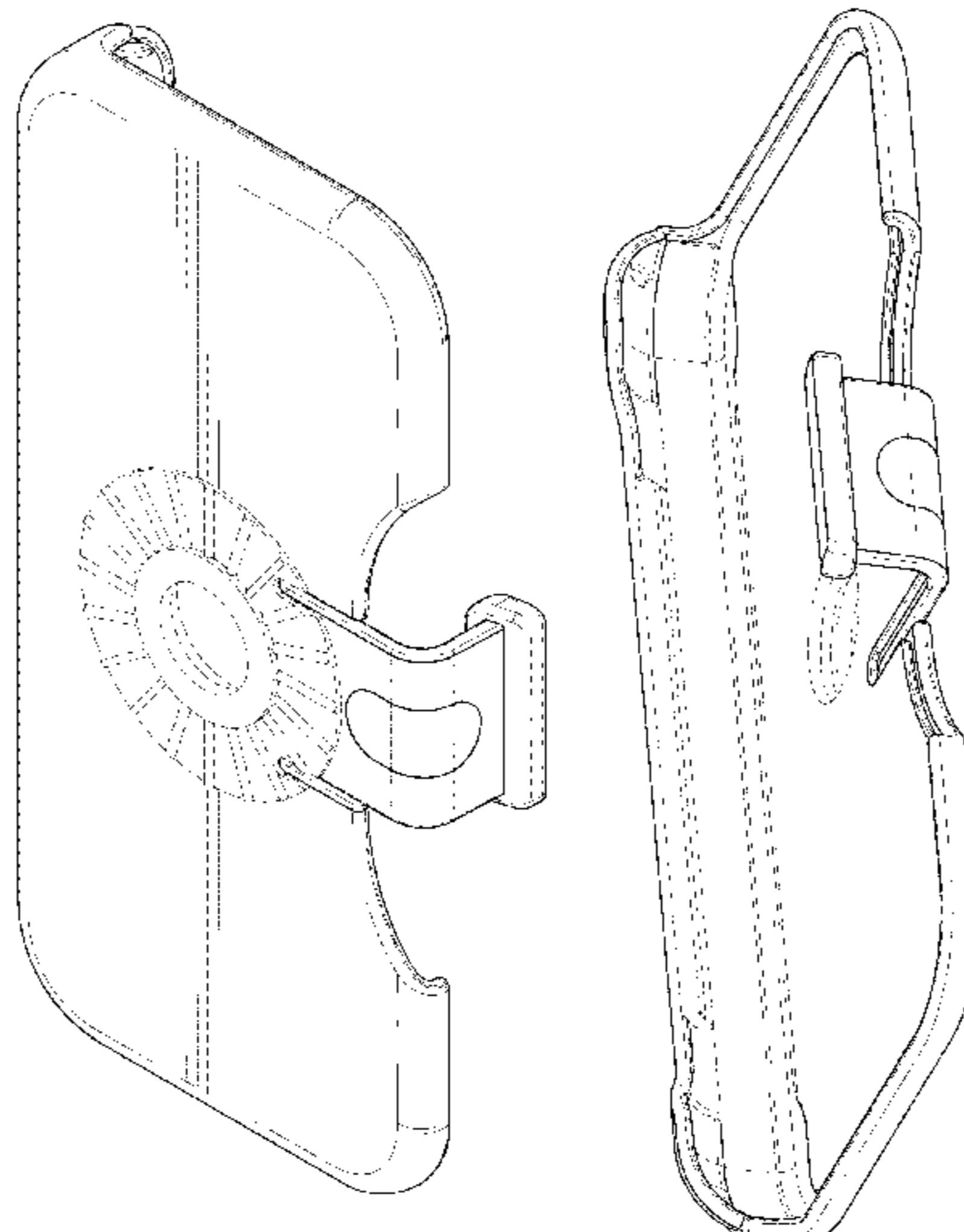
The broken lines in the drawings illustrate portions of the mobile device holder that form no part of the claimed design.

1 Claim, 7 Drawing Sheets

(56) **References Cited**

U.S. PATENT DOCUMENTS

- D425,905 S * 5/2000 Finkbeiner D14/248
- D425,907 S * 5/2000 Frye et al. D14/248
- D629,193 S * 12/2010 Liu D3/218
- D641,974 S 7/2011 Stampfli
- D644,428 S * 9/2011 Feng D3/218
- D649,347 S * 11/2011 Smith et al. D3/218
- D656,931 S * 4/2012 Wikel D14/253
- D656,932 S * 4/2012 Wikel D14/253



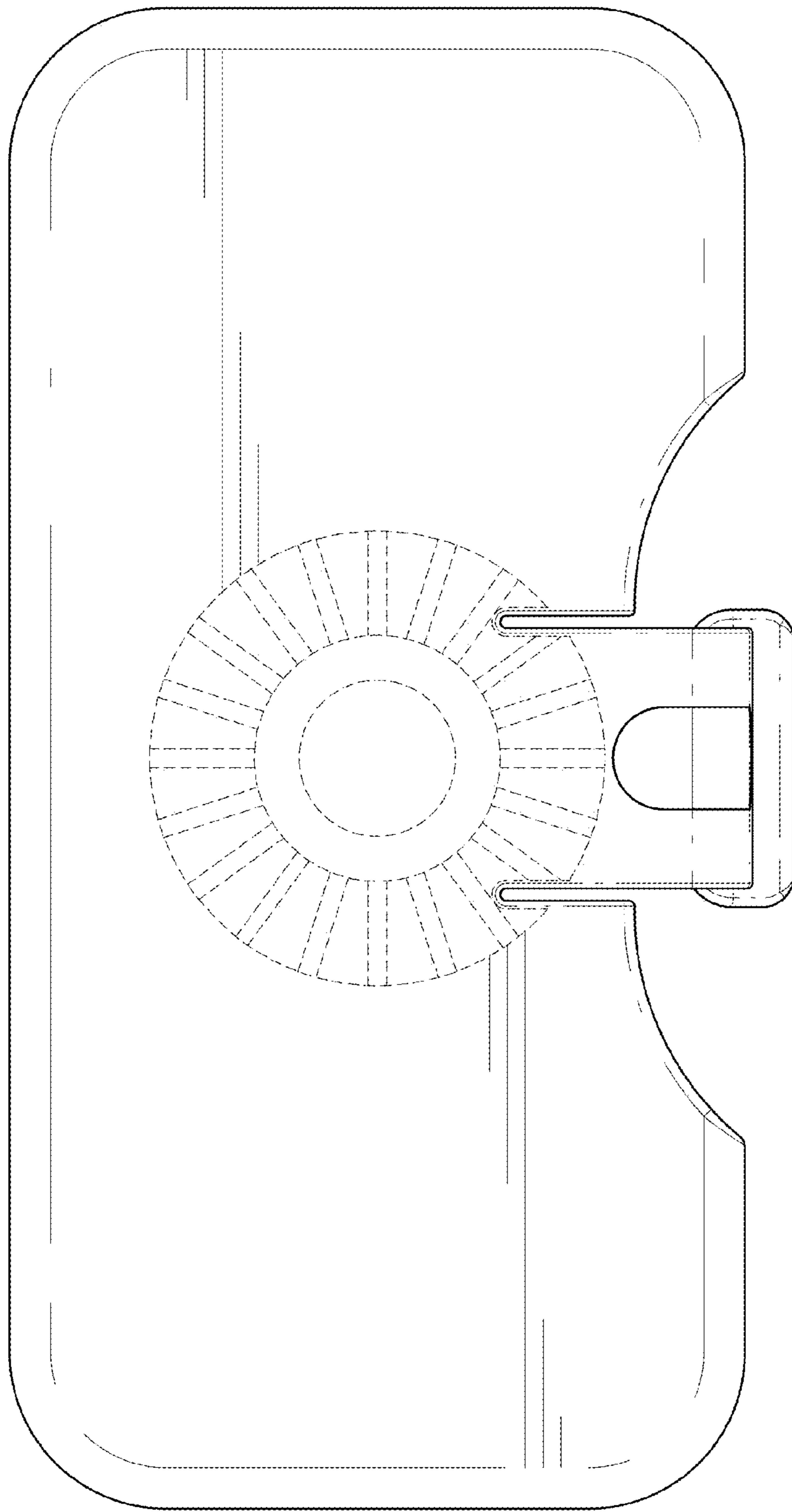


FIG. 1

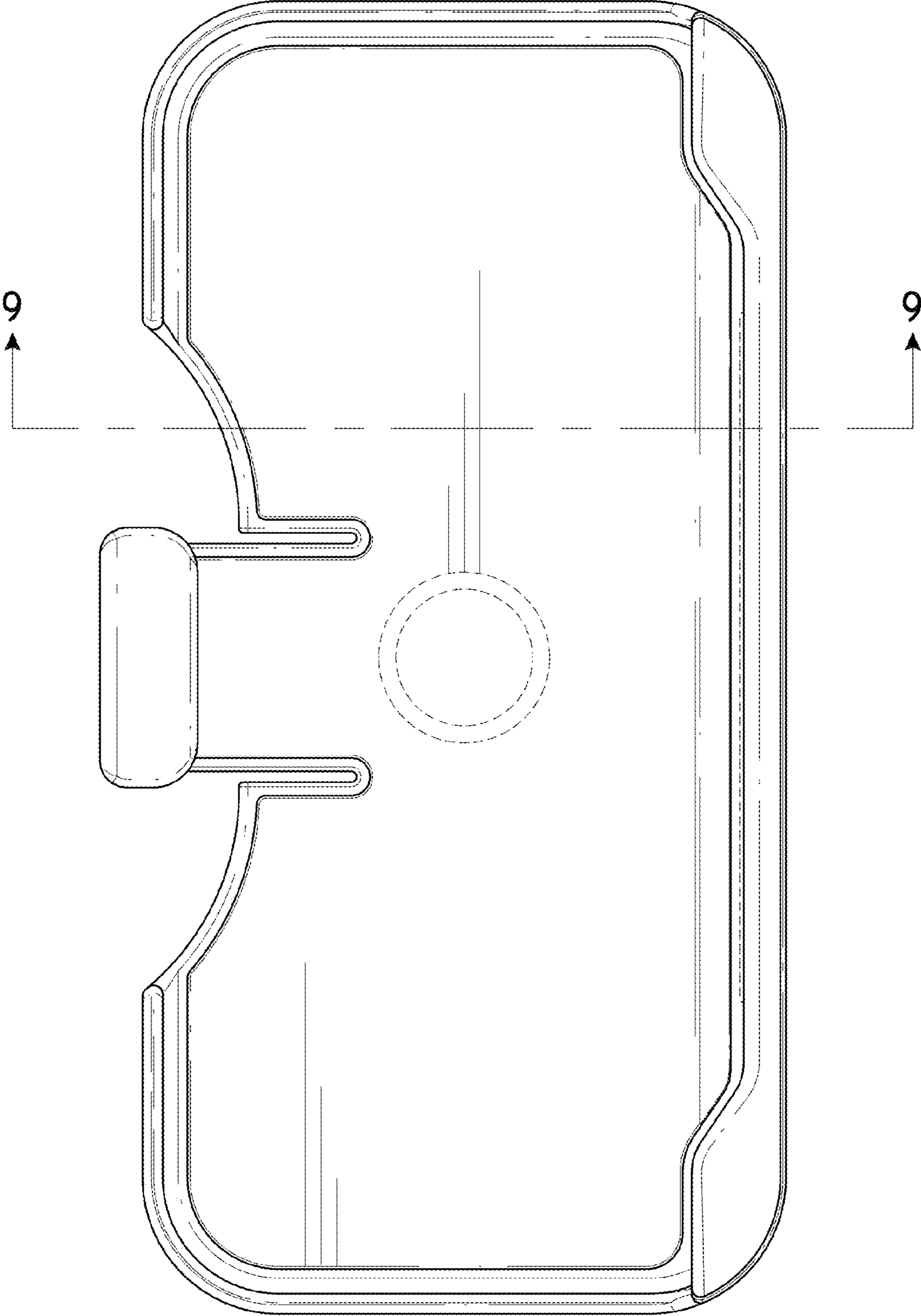


FIG. 2

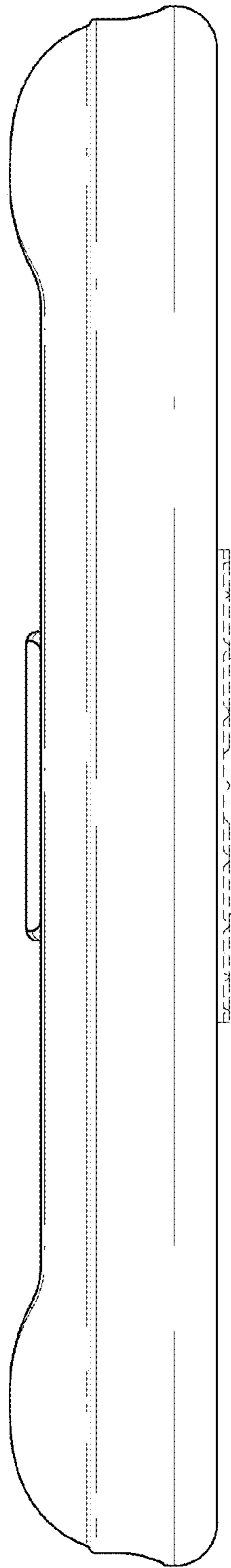


FIG. 3

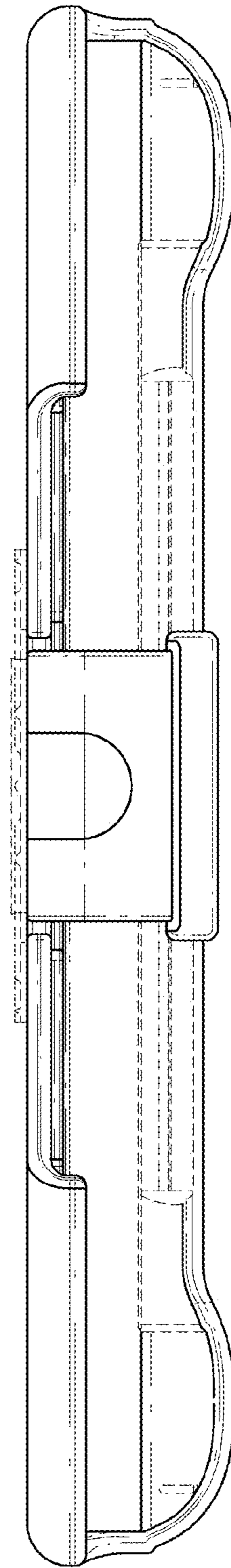


FIG. 4

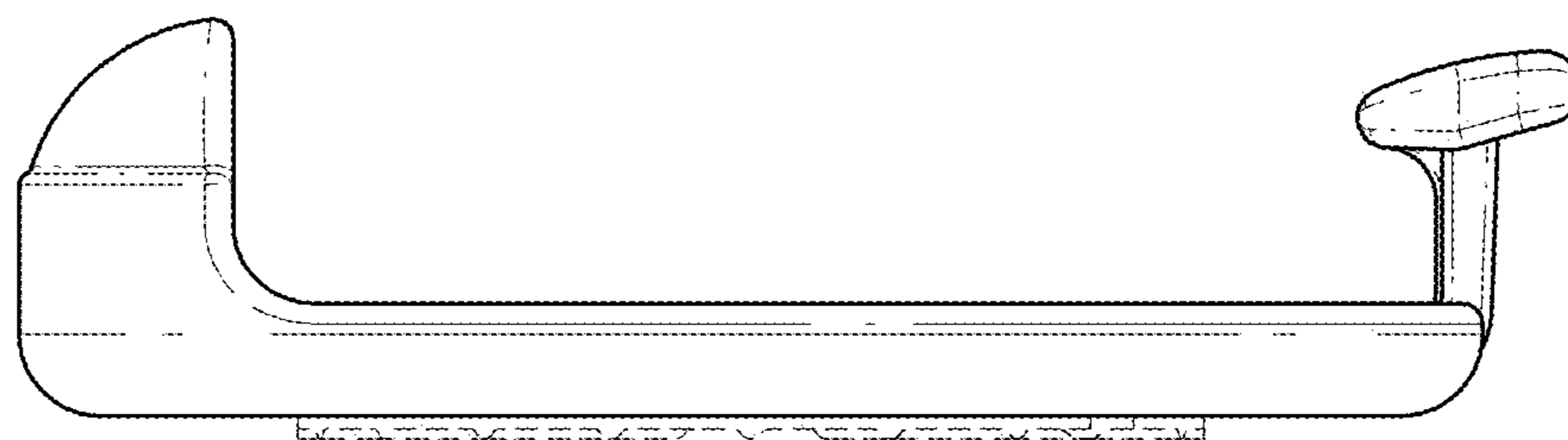


FIG. 5

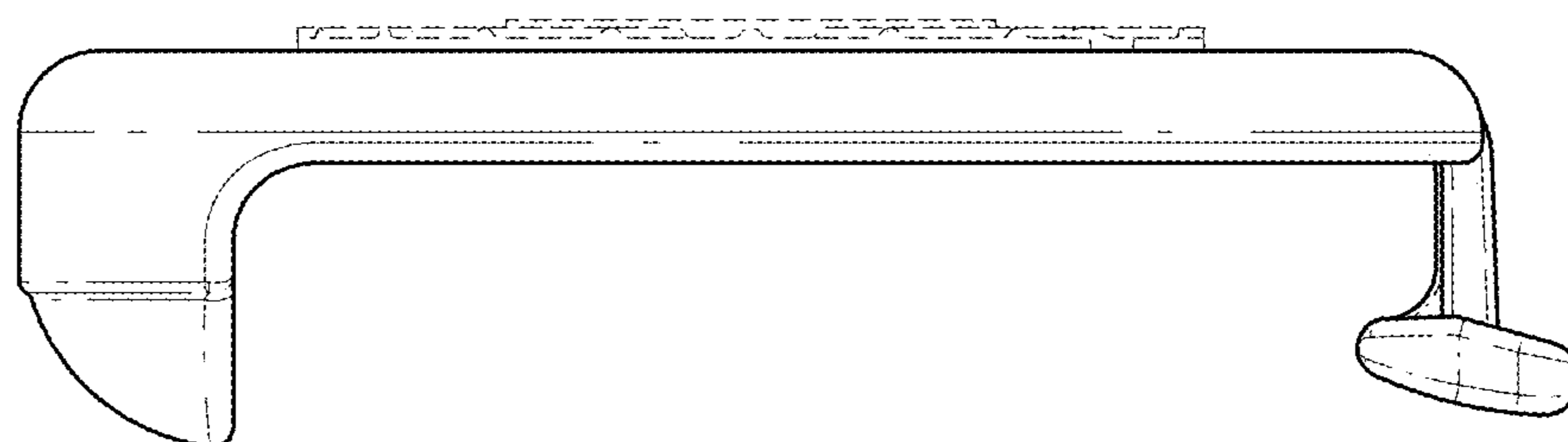


FIG. 6

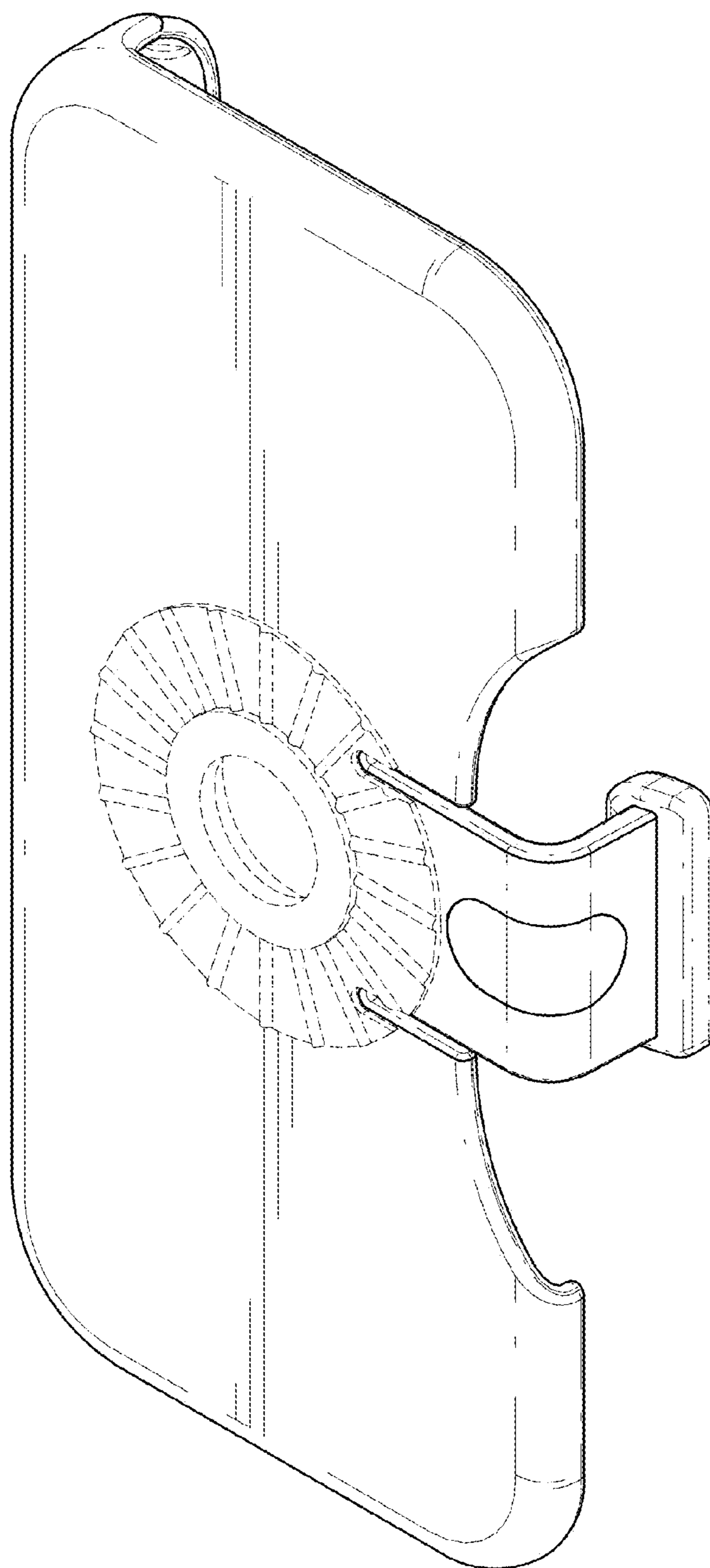


FIG. 7

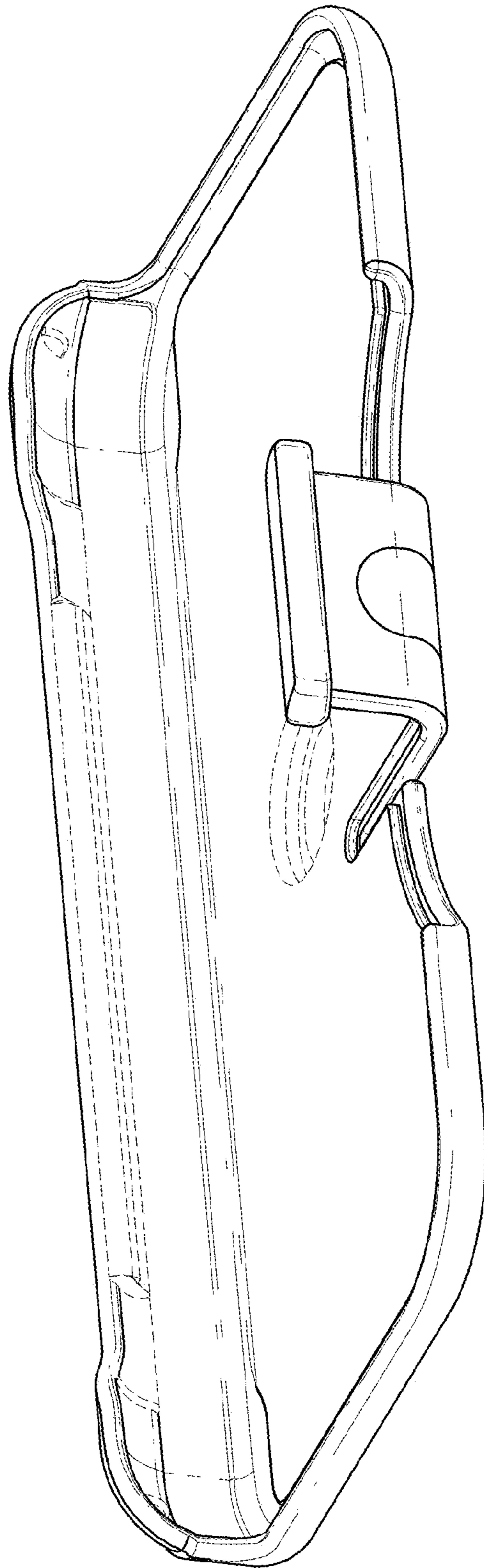


FIG. 8

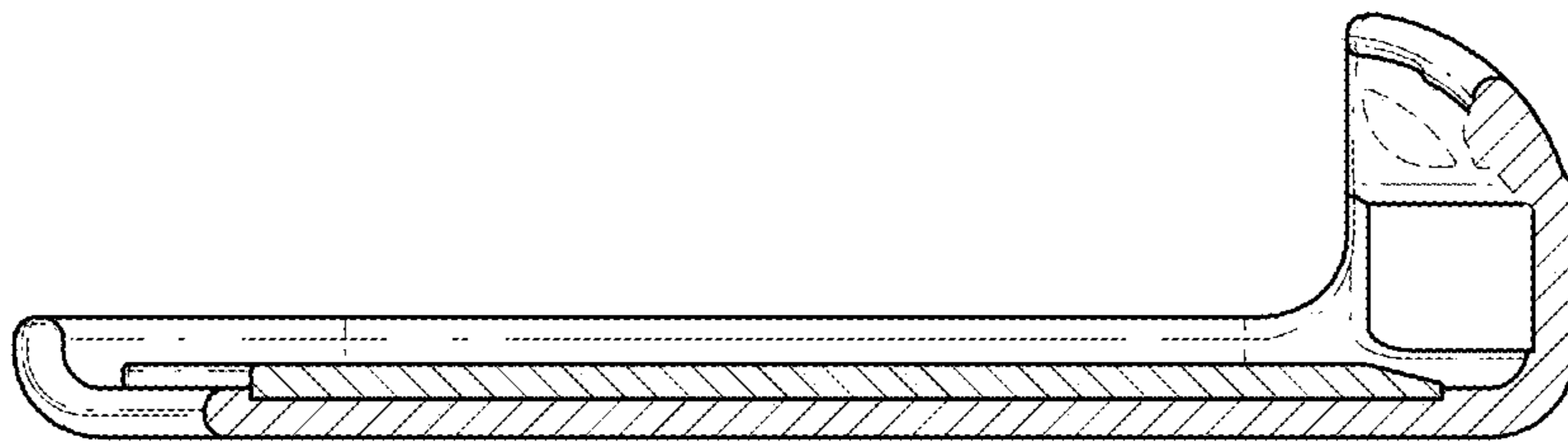


FIG. 9