



US00D718295S

(12) **United States Design Patent**
Fan

(10) **Patent No.:** **US D718,295 S**

(45) **Date of Patent:** **** Nov. 25, 2014**

(54) **ARTICLE SUPPORT DEVICE**

(71) Applicant: **Eagle Fan**, Chu-Pei (TW)

(72) Inventor: **Eagle Fan**, Chu-Pei (TW)

(**) Term: **14 Years**

(21) Appl. No.: **29/444,863**

(22) Filed: **Feb. 5, 2013**

(51) **LOC (10) Cl.** **08-07**

(52) **U.S. Cl.**
USPC **D14/251**; D14/447

(58) **Field of Classification Search**
USPC D14/146, 224, 251, 252, 253, 434, 447;
D6/553; D8/350; D12/400, 415;
D13/108, 177; D16/242; 248/160,
248/205.8, 206.2, 274.1, 371, 917;
379/454, 455; 455/575.1, 575.2, 575.6,
455/575.9, 90.3

See application file for complete search history.

(56) **References Cited**

U.S. PATENT DOCUMENTS

D442,966 S *	5/2001	Cabric	D14/447
D487,270 S *	3/2004	Richter	D14/447
6,913,232 B2 *	7/2005	Richter	248/205.8
D530,333 S *	10/2006	Richter	D14/447
D545,825 S *	7/2007	Richter	D14/447
D545,826 S *	7/2007	Richter	D14/447
D554,136 S *	10/2007	Richter	D14/447
D554,137 S *	10/2007	Richter	D14/447

D560,592 S *	1/2008	Brassard	D12/415
D590,835 S *	4/2009	Richter	D14/447
D591,755 S *	5/2009	Richter	D14/447
D593,103 S *	5/2009	Richter	D14/447
D593,566 S *	6/2009	Richter	D14/447
D690,306 S *	9/2013	Malisse et al.	D14/447
D691,150 S *	10/2013	Stener	D14/447
D695,732 S *	12/2013	Baumann et al.	D14/253
D709,066 S *	7/2014	Byun	D14/253
D709,074 S *	7/2014	Tsui et al.	D14/447

* cited by examiner

Primary Examiner — T. Chase Nelson

Assistant Examiner — Michelle E Wilson

(74) *Attorney, Agent, or Firm* — Rabin & Berdo, P.C.

(57) **CLAIM**

The ornamental design for an article support device, as shown and described.

DESCRIPTION

FIG. 1 is a perspective view of an article support device showing my new design;

FIG. 2 is a front elevational view thereof;

FIG. 3 is a rear elevational view thereof;

FIG. 4 is a left side elevational view thereof;

FIG. 5 is a right side elevational view thereof;

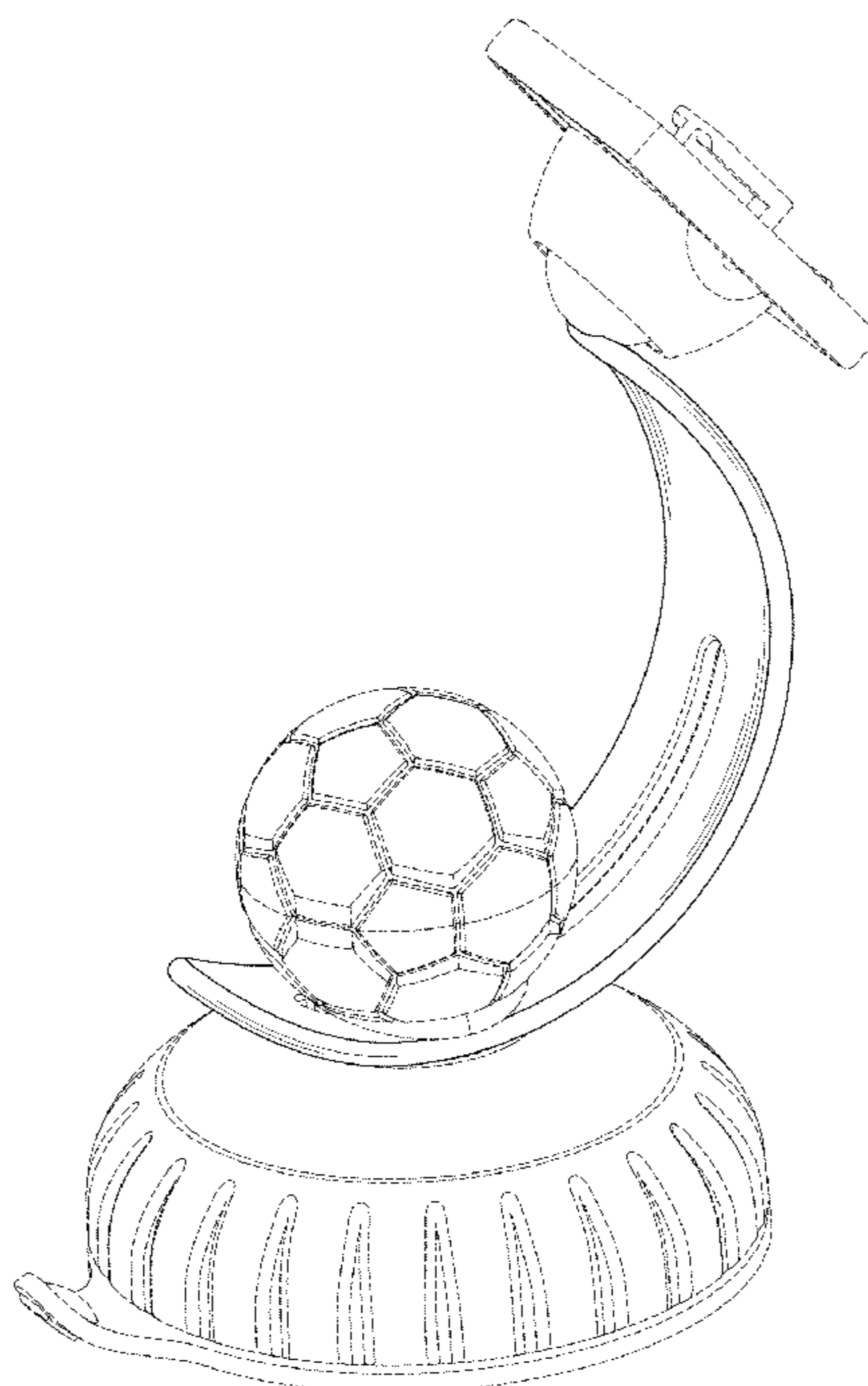
FIG. 6 is a top view thereof;

FIG. 7 is a bottom view thereof; and,

FIG. 8 is a perspective view thereof in an alternate position for use.

The broken line showing illustrates portions of the article support device that form no part of the claimed design.

1 Claim, 8 Drawing Sheets



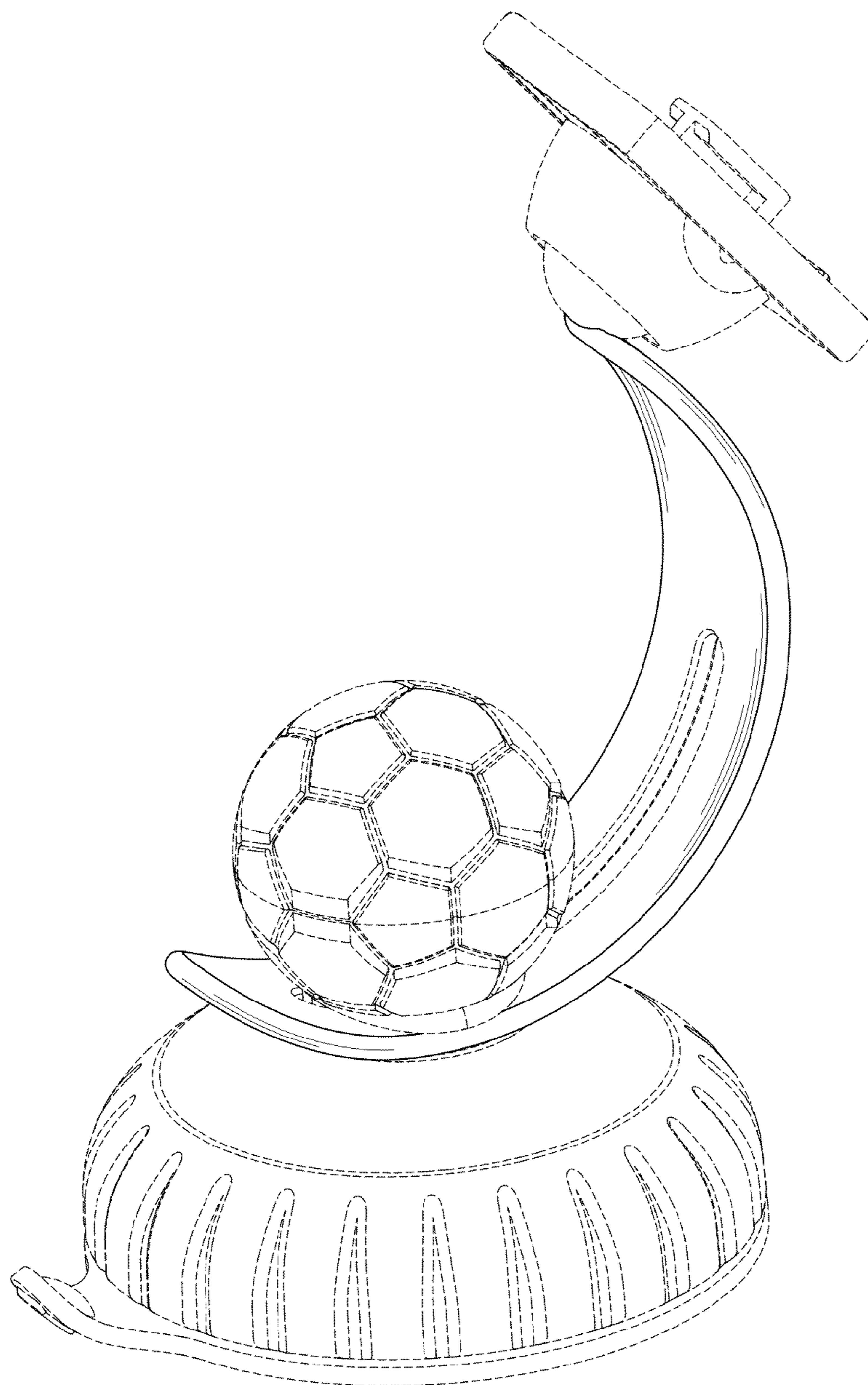


FIG. 1

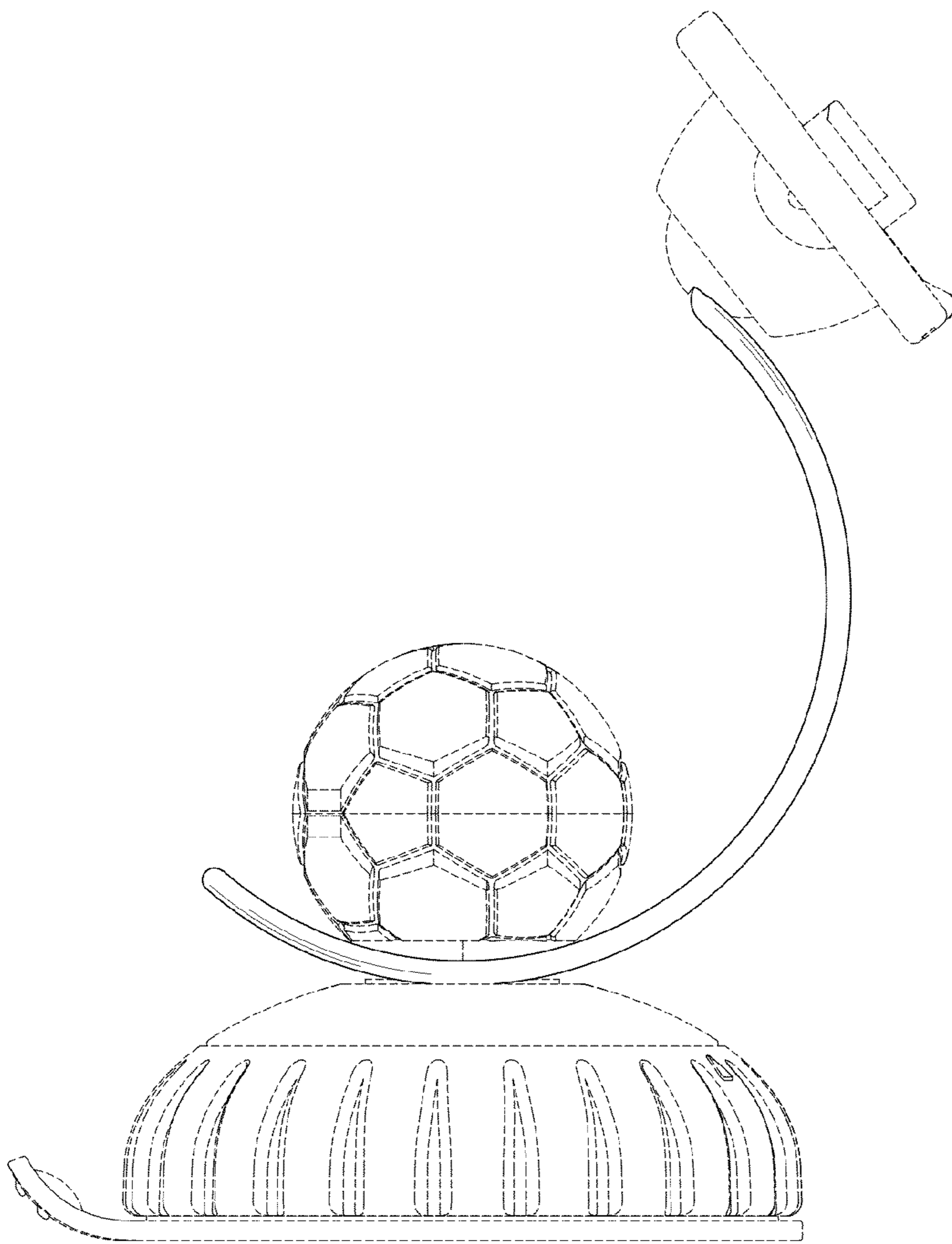


FIG. 2

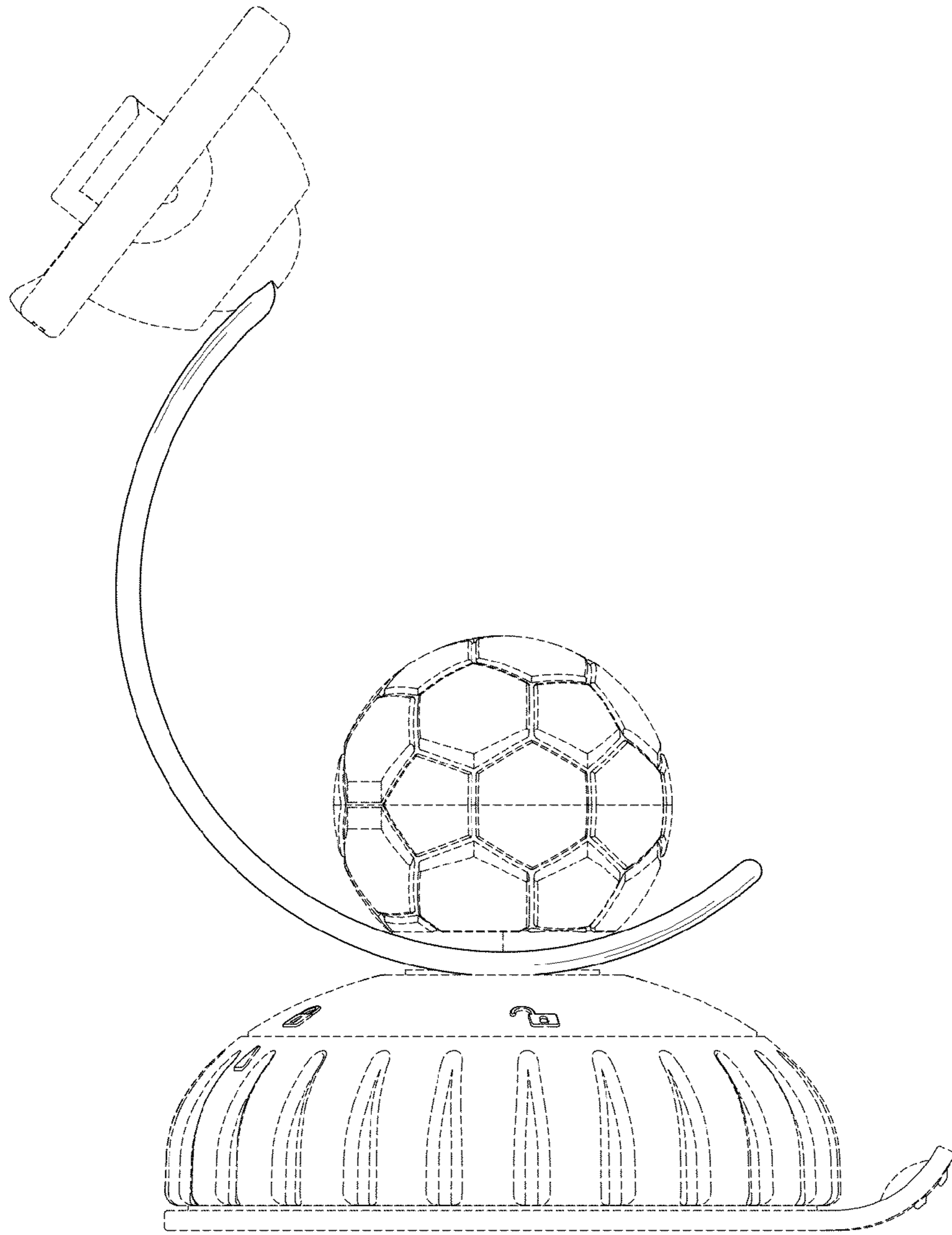


FIG. 3

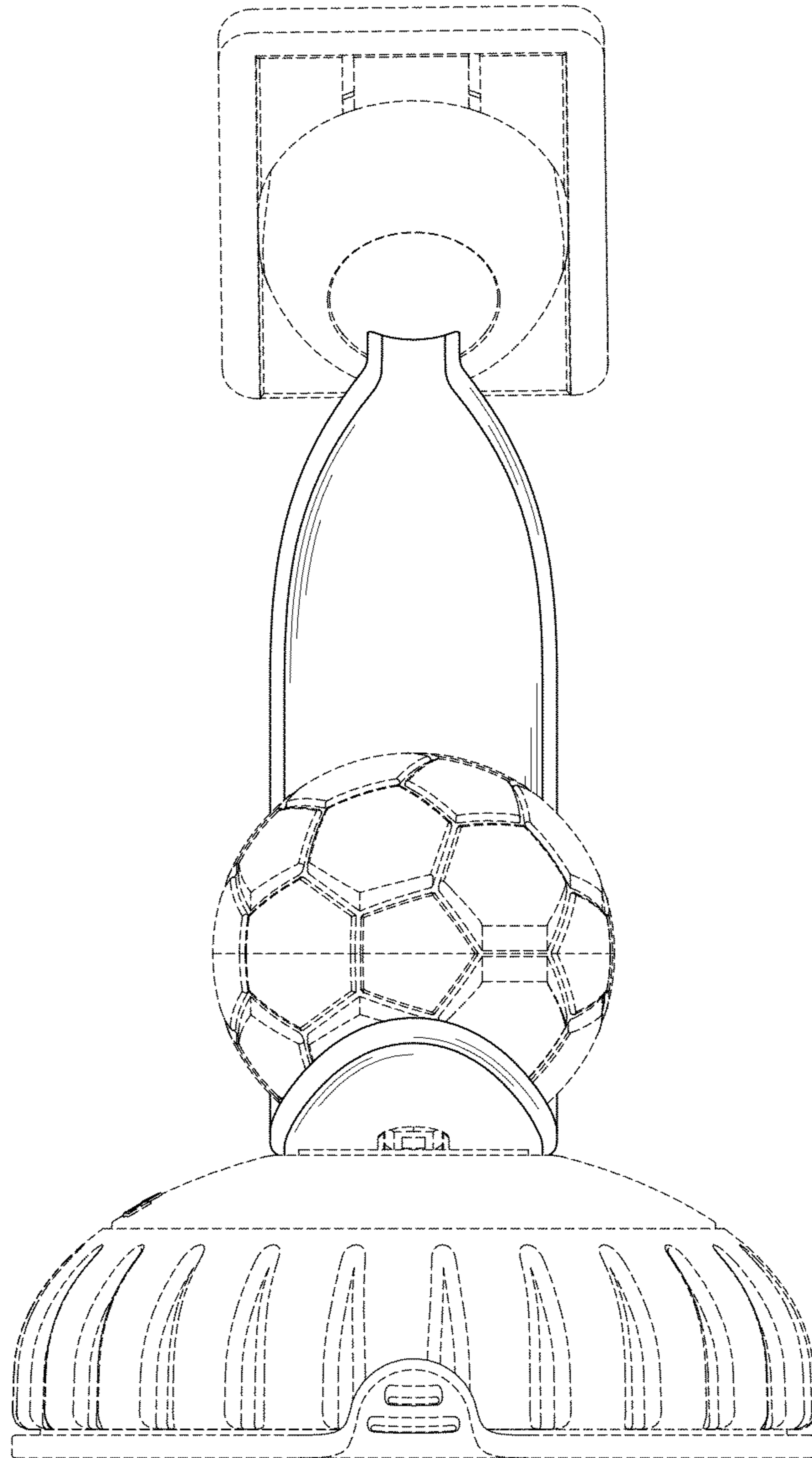


FIG. 4

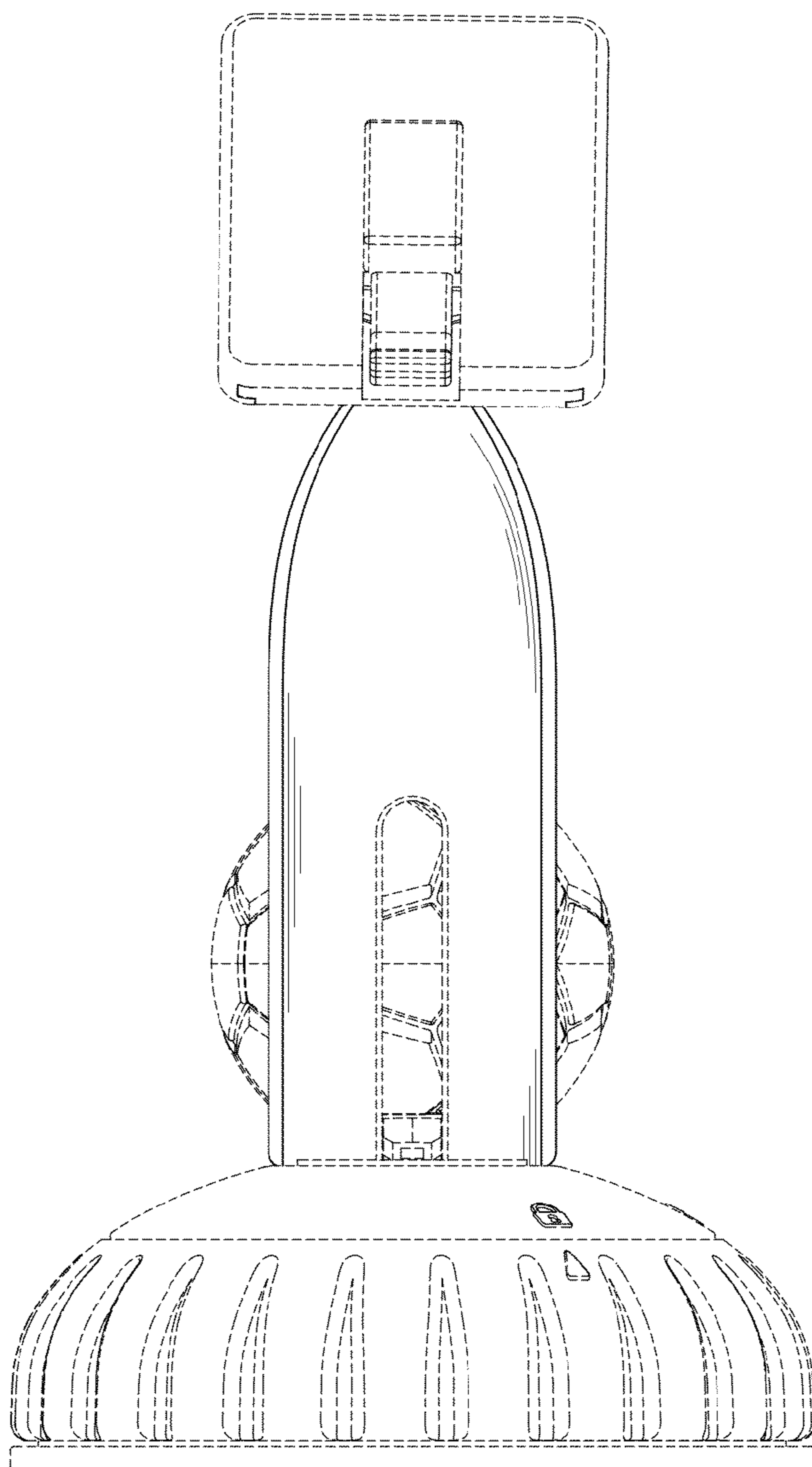


FIG. 5

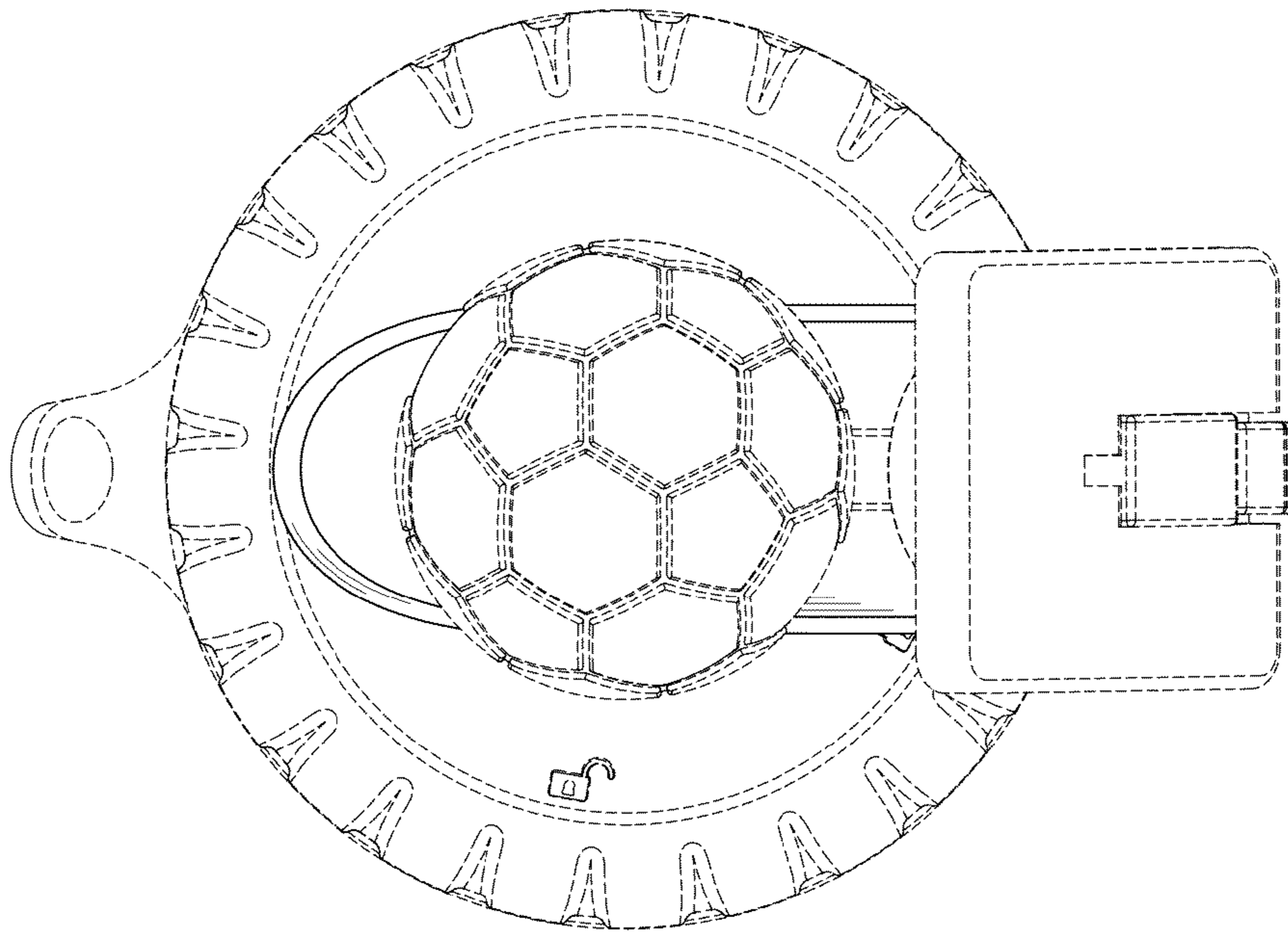


FIG. 6

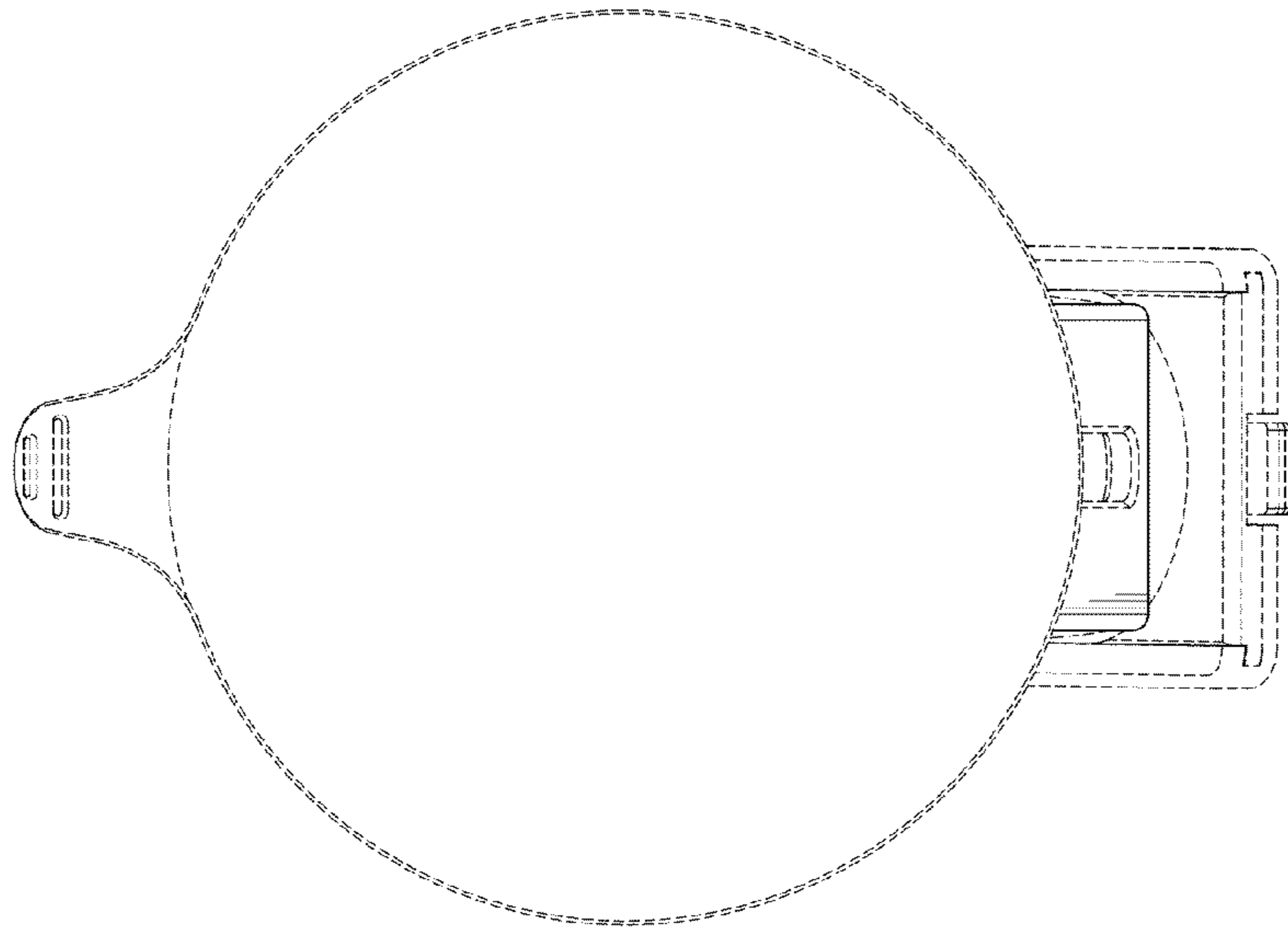


FIG. 7

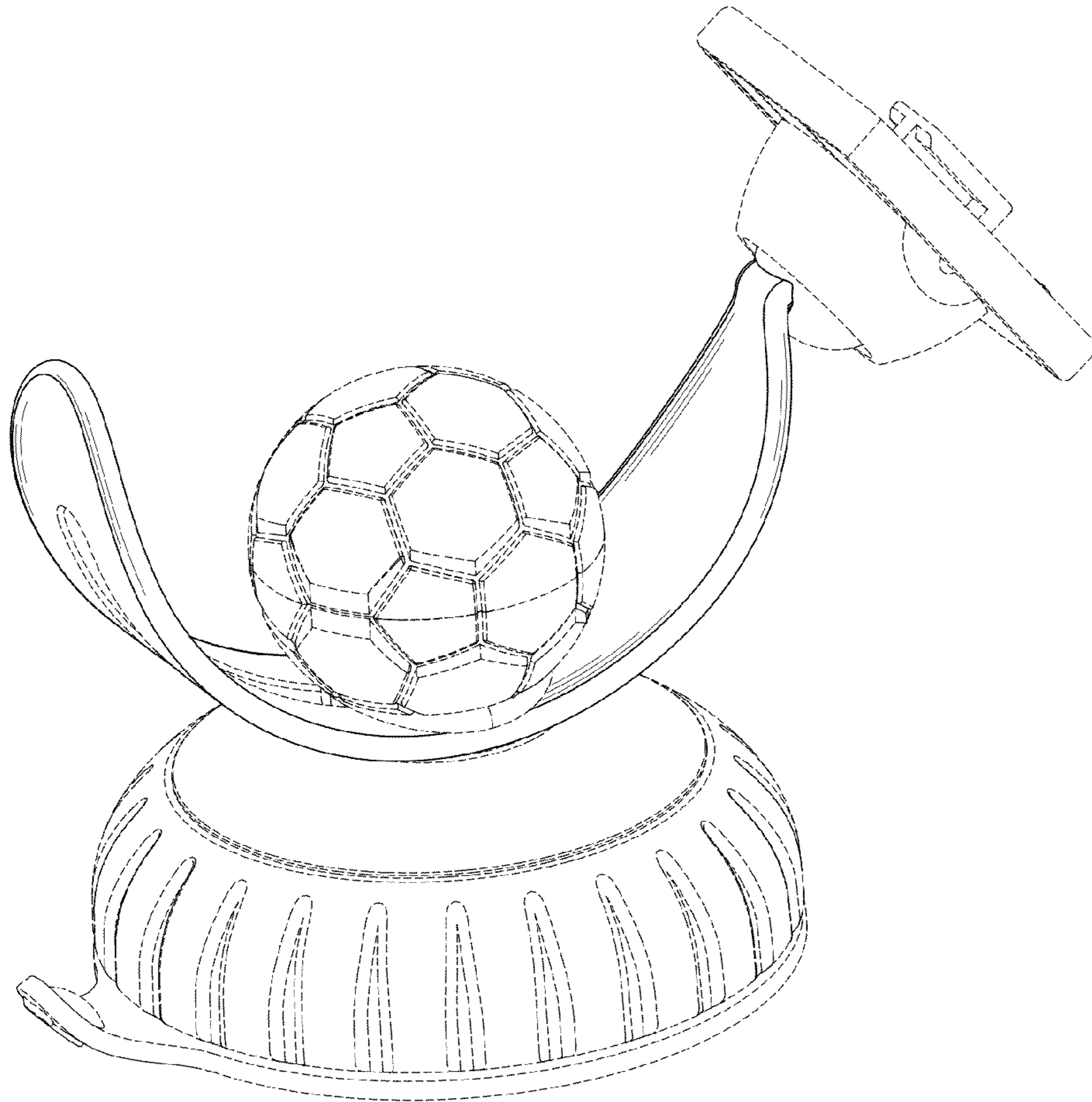


FIG. 8