



US00D718291S

(12) **United States Design Patent**
Hong

(10) **Patent No.:** **US D718,291 S**

(45) **Date of Patent:** **** Nov. 25, 2014**

(54) **PORTABLE ELECTRONIC DEVICE CASE**

(75) Inventor: **John Hong**, Chicago, IL (US)

(73) Assignee: **Uncommon LLC**, Chicago, IL (US)

(**) Term: **14 Years**

(21) Appl. No.: **29/431,945**

(22) Filed: **Sep. 12, 2012**

Related U.S. Application Data

(63) Continuation-in-part of application No. 29/417,069, filed on Mar. 29, 2012.

(51) **LOC (10) Cl.** **14-03**

(52) **U.S. Cl.**
USPC **D14/250**

(58) **Field of Classification Search**

USPC D14/138 G, 138 AD, 138 AB, 138 AA,
D14/203.8, 203.5, 250, 251, 252, 253, 217,
D14/496, 440, 346, 248, 238.1, 137, 356;
D3/218, 215, 201, 247, 269, 273, 301,
D3/303; 220/4.02; 361/679.56; 455/575.1,
455/575.8; 206/305, 320, 251, 45.2
See application file for complete search history.

(56) **References Cited**

U.S. PATENT DOCUMENTS

D623,180 S *	9/2010	Diebel	D14/250
D649,539 S *	11/2011	Hong	D14/250
D655,281 S *	3/2012	Turocy	D14/250
D662,923 S *	7/2012	Piedra et al.	D14/250
D669,458 S *	10/2012	Wilson et al.	D14/250
D670,280 S *	11/2012	Rayner	D14/250
D671,101 S *	11/2012	Rothbaum et al.	D14/250
D671,102 S *	11/2012	Rothbaum et al.	D14/250
D671,103 S *	11/2012	Rothbaum et al.	D14/250
D671,104 S *	11/2012	Rothbaum et al.	D14/250
D671,105 S *	11/2012	Rothbaum et al.	D14/250

D671,106 S *	11/2012	Rothbaum et al.	D14/250
D671,107 S *	11/2012	Rothbaum et al.	D14/250
D671,108 S *	11/2012	Rothbaum et al.	D14/250
D671,109 S *	11/2012	Rothbaum et al.	D14/250
D671,930 S *	12/2012	Akana et al.	D14/250
D673,554 S *	1/2013	Simmer	D14/250
D678,869 S *	3/2013	Diebel	D14/250
D679,694 S *	4/2013	Fahrendorff et al.	D14/250
D679,699 S *	4/2013	Piedra et al.	D14/250

(Continued)

Primary Examiner — Deanna L Pratt

Assistant Examiner — Lilyana Bekic

(74) *Attorney, Agent, or Firm* — Bishop Diehl & Lee., Ltd.

(57) **CLAIM**

The ornamental design for a portable electronic device case, as shown and described.

DESCRIPTION

FIG. 1 is a perspective back view of a portable electronic device case;

FIG. 2 is a perspective front view of the portable electronic device case of FIG. 1;

FIG. 3 is a back plan view of the portable electronic device case of FIG. 1;

FIG. 4 is a front plan view of the portable electronic device case of FIG. 1;

FIG. 5 is a right side plan view of the portable electronic device case of FIG. 1;

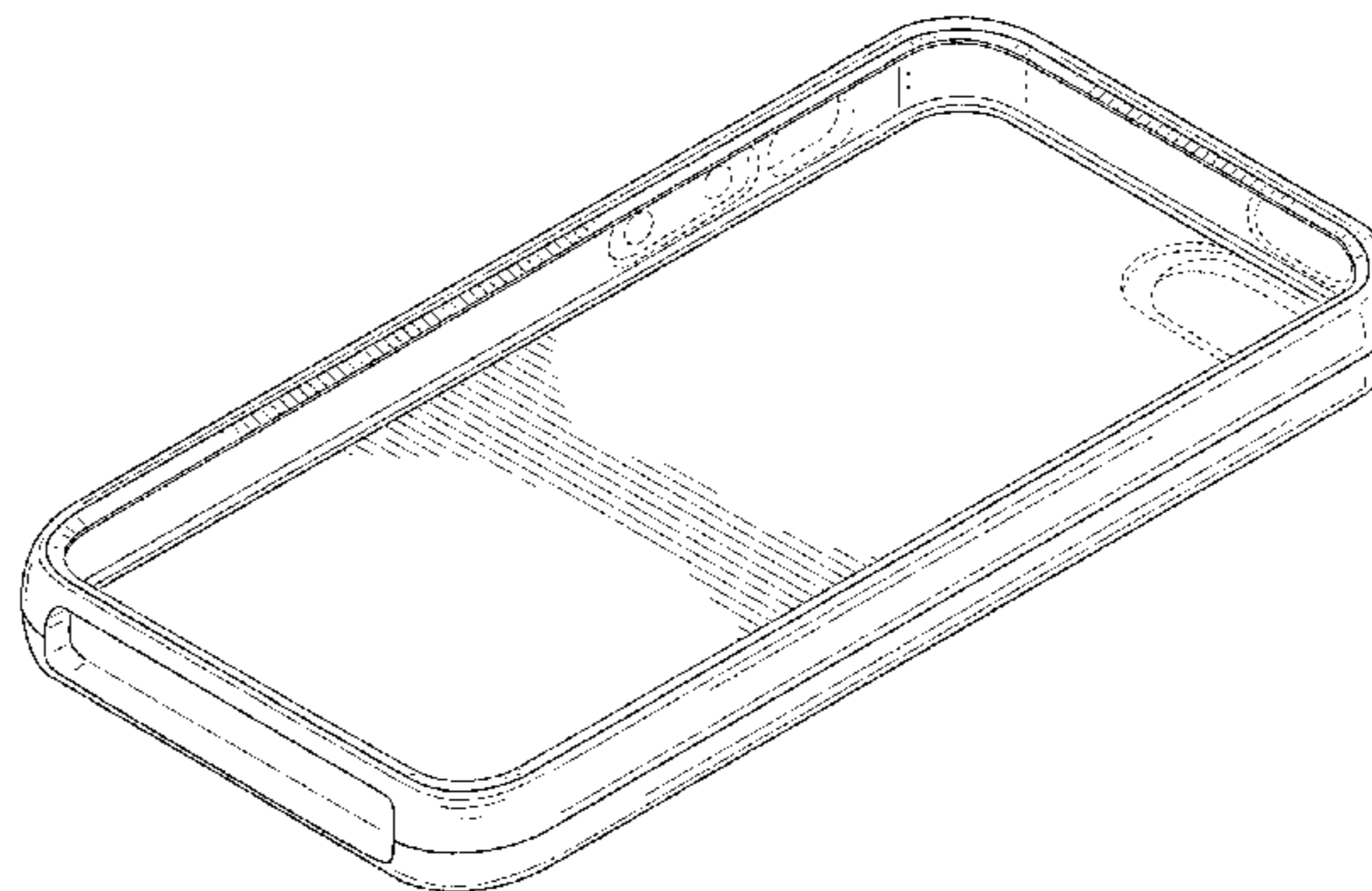
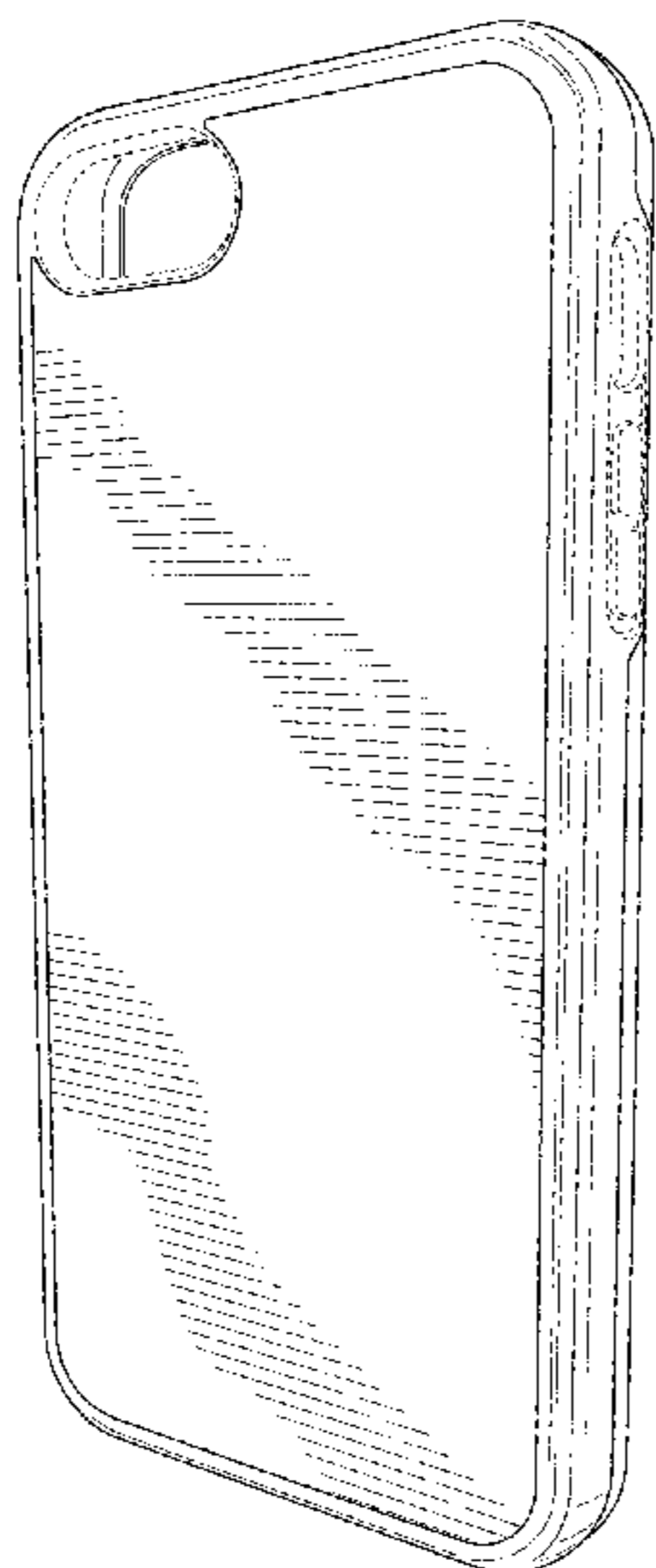
FIG. 6 is a left side plan view of the portable electronic device case of FIG. 1;

FIG. 7 is a top plan view of the portable electronic device case of FIG. 1; and,

FIG. 8 is a bottom plan view of the portable electronic device case of FIG. 1.

The broken lines in the drawings illustrate portions of the portable electronic device case which form no part of the claimed design.

1 Claim, 6 Drawing Sheets



(56)

References Cited

U.S. PATENT DOCUMENTS

D680,107 S *	4/2013	Piedra et al.	D14/250	D700,598 S *	3/2014	Kim	D14/250
8,430,240 B2 *	4/2013	Kim	206/320	D702,672 S *	4/2014	Mather	D14/250
D685,779 S *	7/2013	Schriefer et al.	D14/250	2012/0018325 A1 *	1/2012	Kim	206/320
D686,606 S *	7/2013	Hong	D14/250	2012/0103844 A1 *	5/2012	Piedra et al.	206/320
D686,607 S *	7/2013	Hong	D14/250	2013/0045782 A1 *	2/2013	Simmer	455/575.8
D687,027 S *	7/2013	Melanson et al.	D14/250	2013/0252679 A1 *	9/2013	Yang et al.	455/575.8
				2013/0257240 A1 *	10/2013	Hong	312/223.1
				2014/0078671 A1 *	3/2014	Hong	361/679.56

* cited by examiner

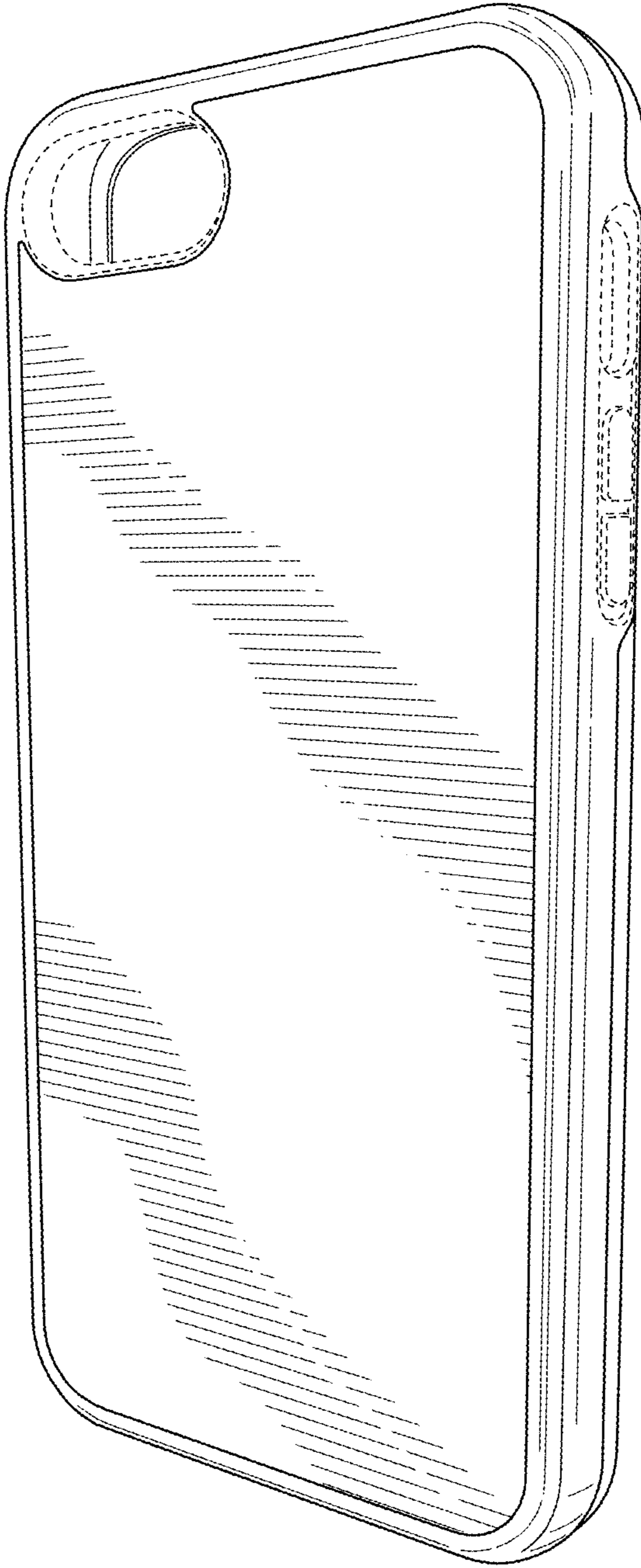


FIG. 1

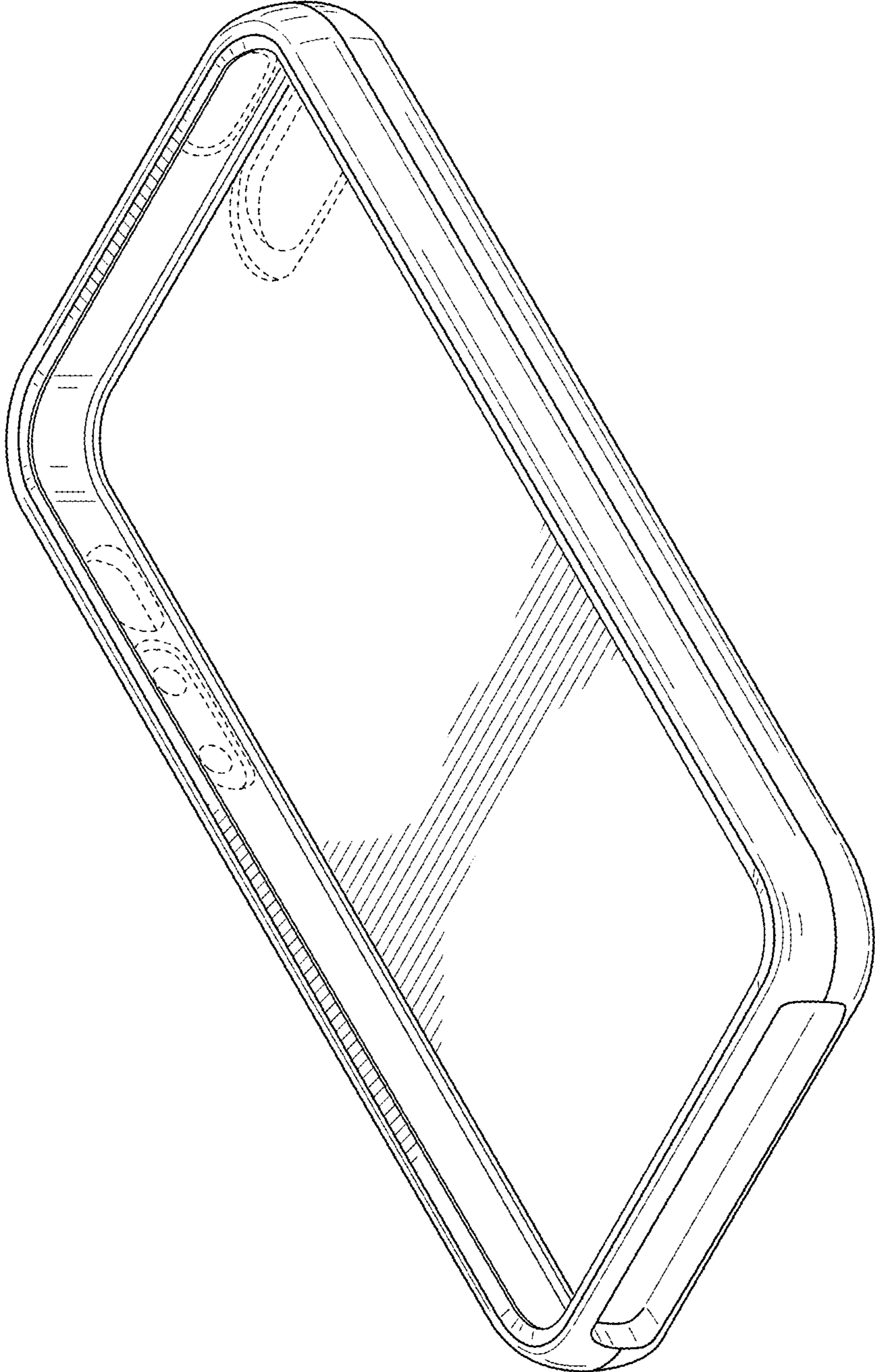


FIG. 2

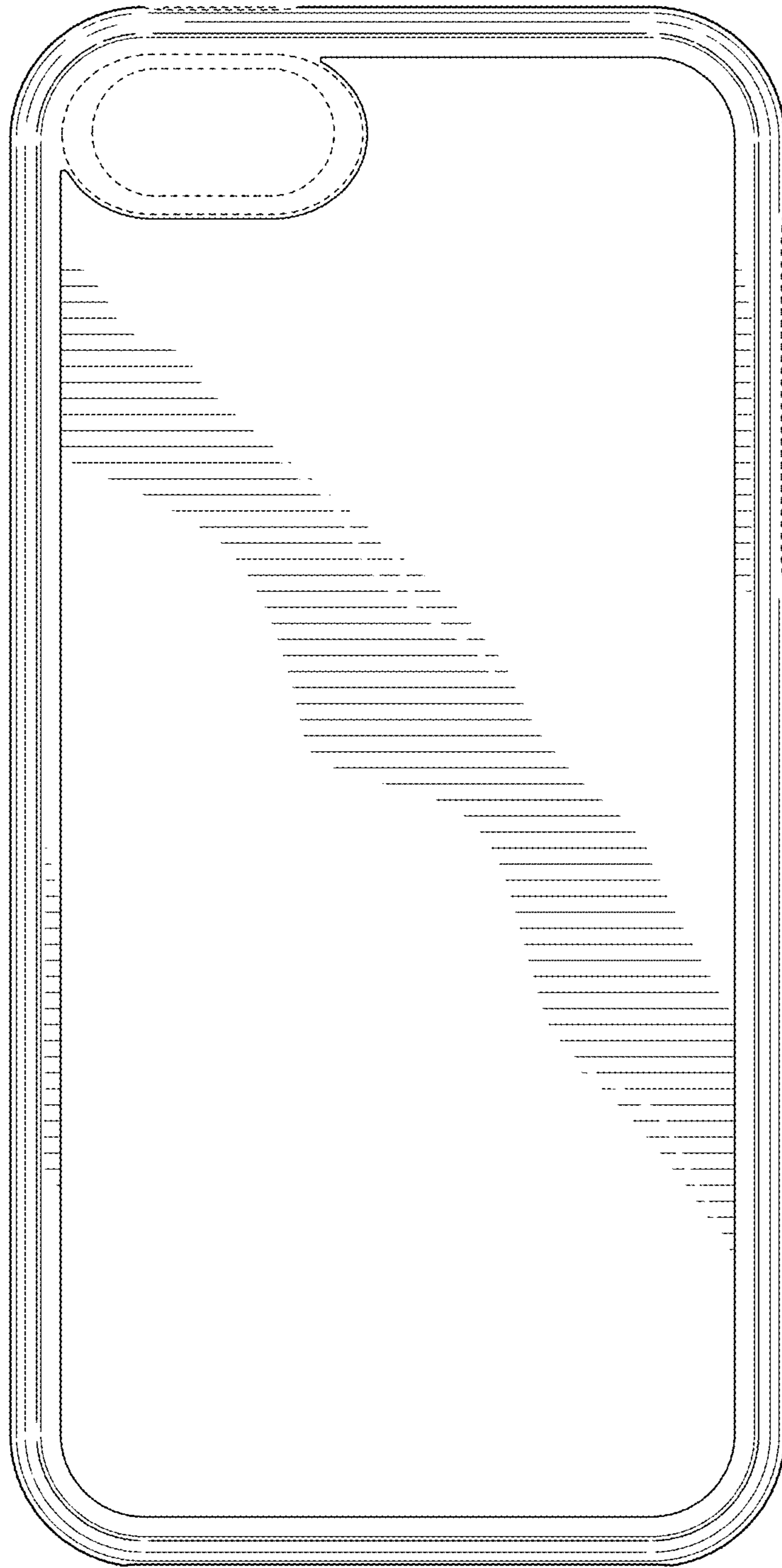


FIG. 3

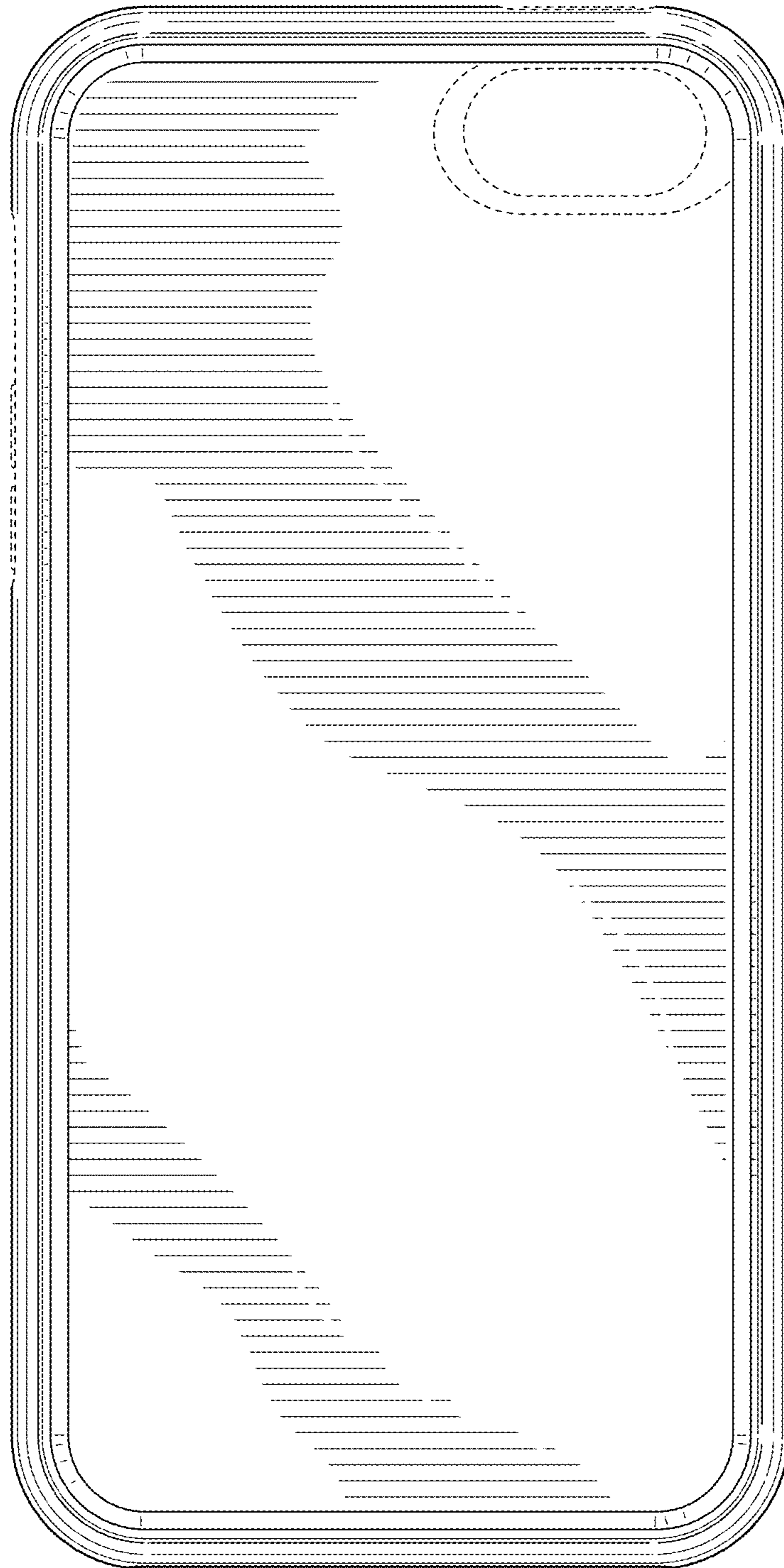


FIG. 4

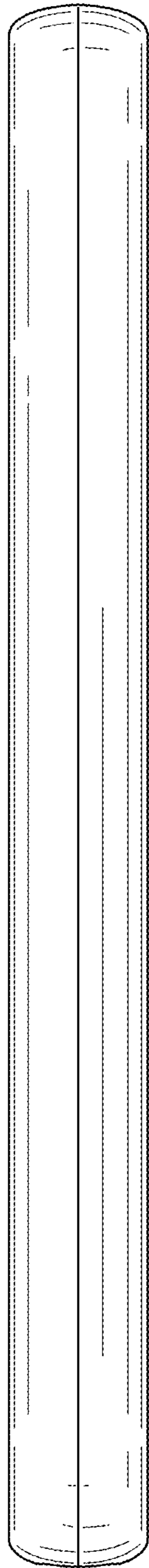


FIG. 5

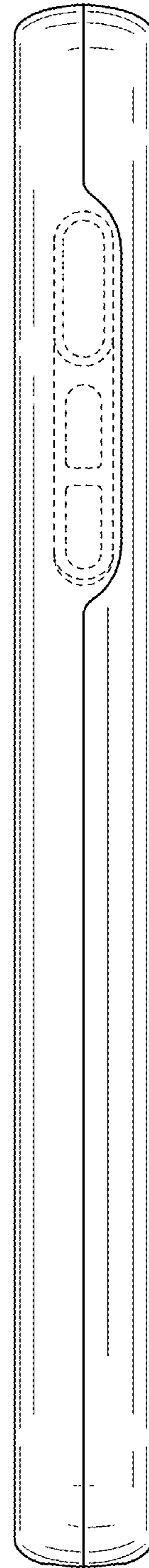


FIG. 6

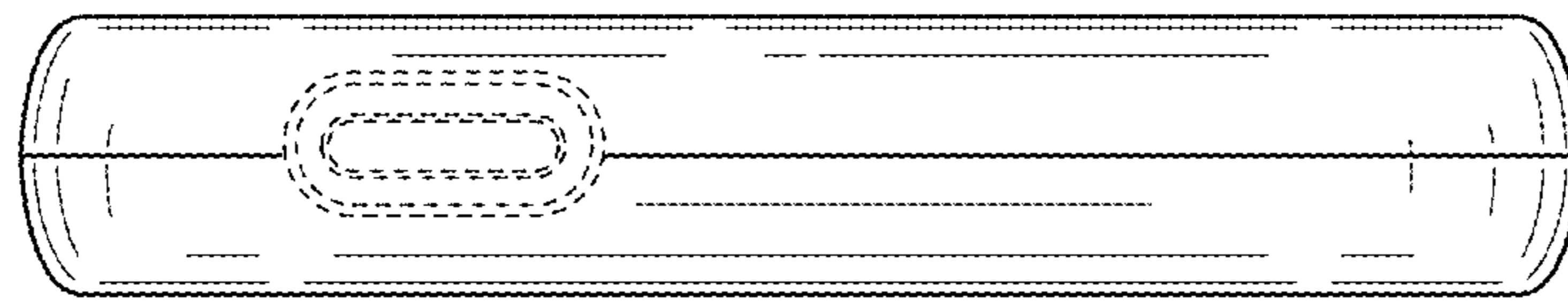


FIG. 7

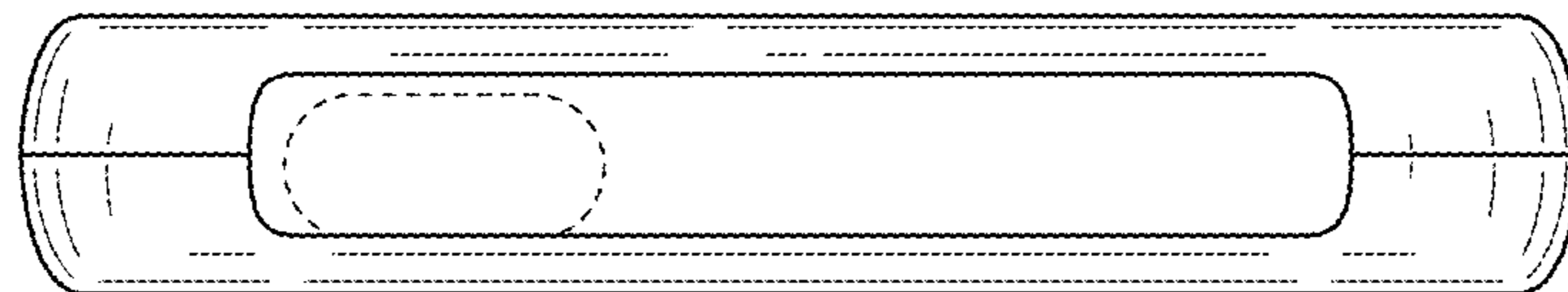


FIG. 8