



US00D718290S

(12) **United States Design Patent**  
**Whitten et al.**

(10) **Patent No.:** **US D718,290 S**  
(45) **Date of Patent:** **\*\* Nov. 25, 2014**

(54) **CASE AND MOUNT SET FOR HANDHELD ELECTRONIC DEVICE**

**DESCRIPTION**

(75) Inventors: **Jeff Whitten**, Santa Ana, CA (US);  
**Bernhard Leitner**, Mission Viejo, CA (US);  
**Craig Erion**, Lemon Heights, CA (US)

(73) Assignee: **Rokform, LLC**, Santa Ana, CA (US)

(\*\*) Term: **14 Years**

(21) Appl. No.: **29/423,536**

(22) Filed: **Jun. 1, 2012**

(51) **LOC (10) Cl.** ..... **14-03**

(52) **U.S. Cl.**  
USPC ..... **D14/250**

(58) **Field of Classification Search**  
CPC .. H04B 1/3888; H04M 1/026; H04M 1/0249;  
A45C 2011/002; A45C 2200/15  
USPC ..... D14/138 G, 138 AD, 138 AB, 138 AA,  
D14/203.8, 203.5, 250, 251, 252, 253, 217,  
D14/496, 440, 346, 248, 238.1, 137, 356;  
D3/218, 215, 201, 247, 269, 273, 301,  
D3/303; 220/4.02; 361/679.56; 455/575.1,  
455/575.8; 206/305, 320, 251, 45.2  
See application file for complete search history.

(56) **References Cited**

**U.S. PATENT DOCUMENTS**

D564,754 S \* 3/2008 Tages et al. .... D3/218  
D606,738 S \* 12/2009 Hofer et al. .... D3/218

(Continued)

*Primary Examiner* — Deanna L Pratt

*Assistant Examiner* — Lilyana Bekic

(74) *Attorney, Agent, or Firm* — Knobbe Martens Olson and Bear LLP

(57) **CLAIM**

The ornamental design for a case and mount set for handheld electronic device, as shown and described.

FIG. 1 is a perspective view showing the front, top and side of a case of the case and mount set for handheld electronic device.

FIG. 2 is a front view of the case of the case and mount set for handheld electronic device of FIG. 1.

FIG. 3 is a rear view of the case of the case and mount set for handheld electronic device of FIG. 1.

FIG. 4 is a right view of the case of the case and mount set for handheld electronic device of FIG. 1.

FIG. 5 is a left side view of the case of the case and mount set for handheld electronic device of FIG. 1.

FIG. 6 is a top view of the case of the case and mount set for handheld electronic device of FIG. 1.

FIG. 7 is a bottom view of the case of the case and mount set for handheld electronic device of FIG. 1.

FIG. 8 is a perspective view showing the front, top and side of the case of the case and mount set for handheld electronic device with a handheld electronic device held within the case.

FIG. 9 is a front view of the case of the case and mount set for handheld electronic device of FIG. 8.

FIG. 10 is a rear view of the case of the case and mount set for handheld electronic device of FIG. 8.

FIG. 11 is a right view of the case of the case and mount set for handheld electronic device of FIG. 8.

FIG. 12 is a left side view of the case of the case and mount set for handheld electronic device of FIG. 8.

FIG. 13 is a top view of the case of the case and mount set for handheld electronic device of FIG. 8.

FIG. 14 is a bottom view of the case of the case and mount set for handheld electronic device of FIG. 8.

FIG. 15 is a perspective view showing the front, top and side of a mount of the case and mount set for handheld electronic device.

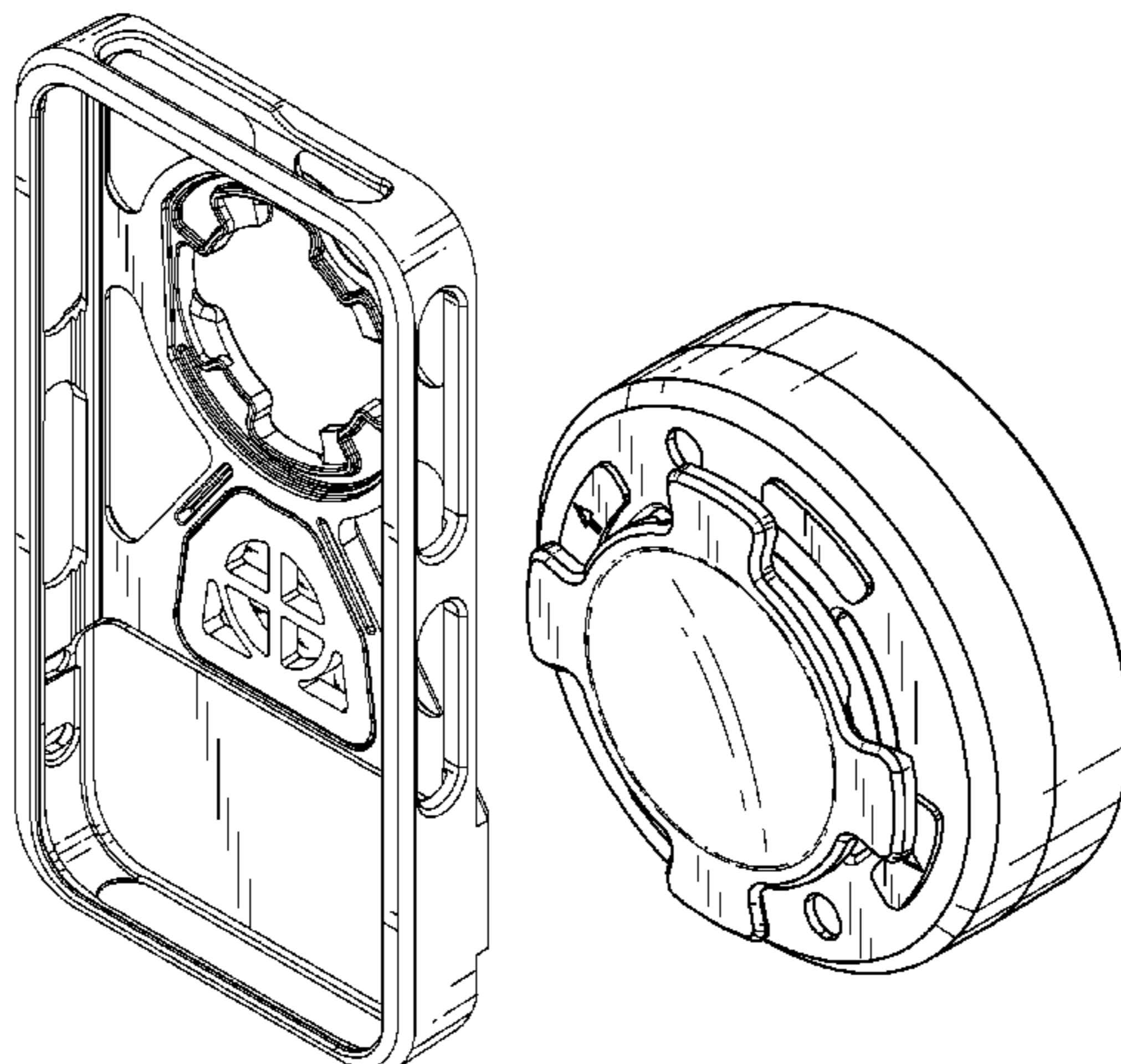
FIG. 16 is a front view of the mount.

FIG. 17 is a rear view of the mount; and,

FIG. 18 is a left side view of the mount, the right side, top and bottom views being the same as the left side view.

The broken line showing of the electronic device illustrates the environment of the claimed design and forms no part thereof. All other broken lines depict portions of the case and mount set for handheld electronic device which form no part of the claimed design.

**1 Claim, 8 Drawing Sheets**



(56)

**References Cited**

U.S. PATENT DOCUMENTS

D627,771 S \* 11/2010 Smith et al. .... D14/253  
D646,672 S \* 10/2011 Fathollahi ..... D14/250  
D647,085 S \* 10/2011 Chung et al. .... D14/250  
D654,043 S \* 2/2012 Pan et al. .... D14/138 AA  
D671,932 S \* 12/2012 Azoulay ..... D14/250

D685,362 S \* 7/2013 Murchison et al. .... D14/250  
D685,363 S \* 7/2013 Murchison et al. .... D14/250  
D685,785 S \* 7/2013 Seoc et al. .... D14/365  
D687,004 S \* 7/2013 Behling ..... D14/138 G  
8,544,644 B2 \* 10/2013 Meehan ..... 206/320  
D697,060 S \* 1/2014 Yang ..... D14/250  
2013/0181584 A1 \* 7/2013 Whitten et al. .... 312/223.1

\* cited by examiner

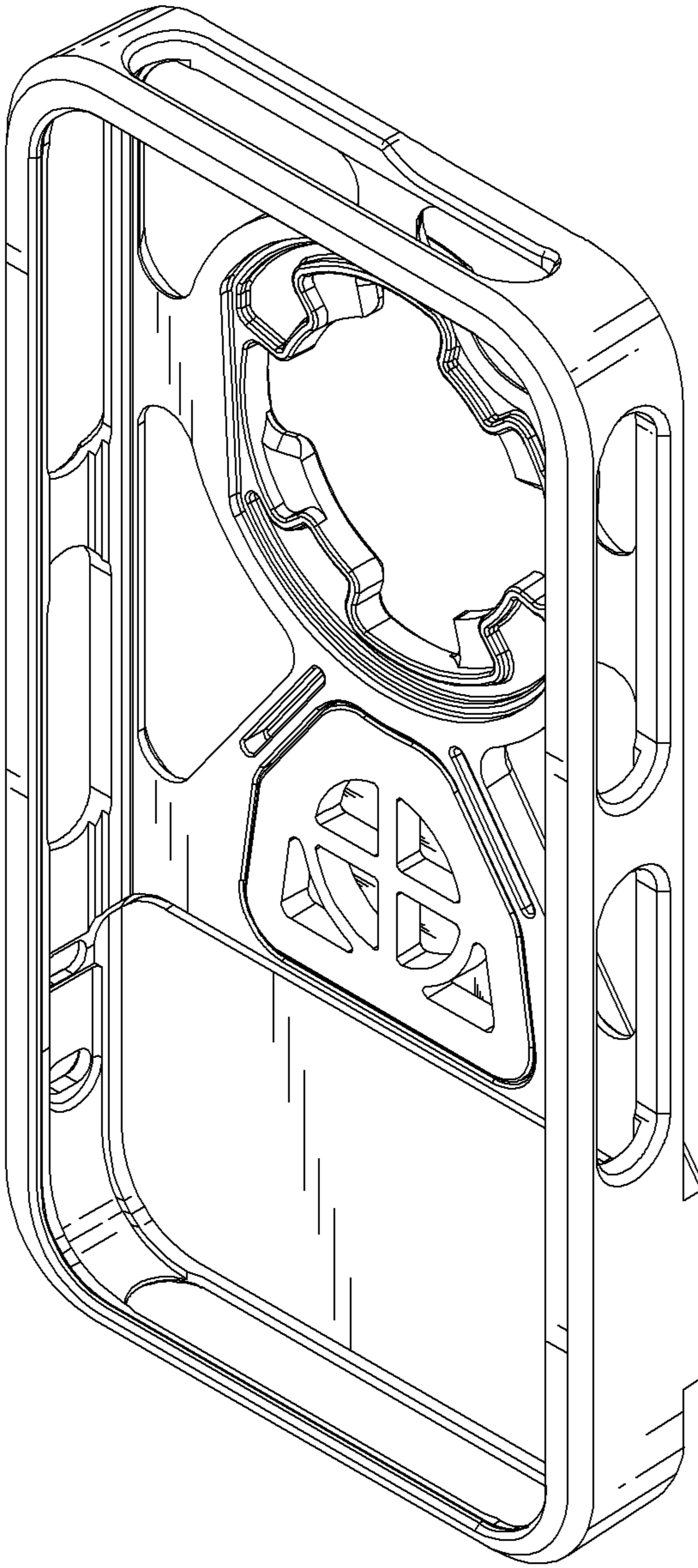


FIG. 1

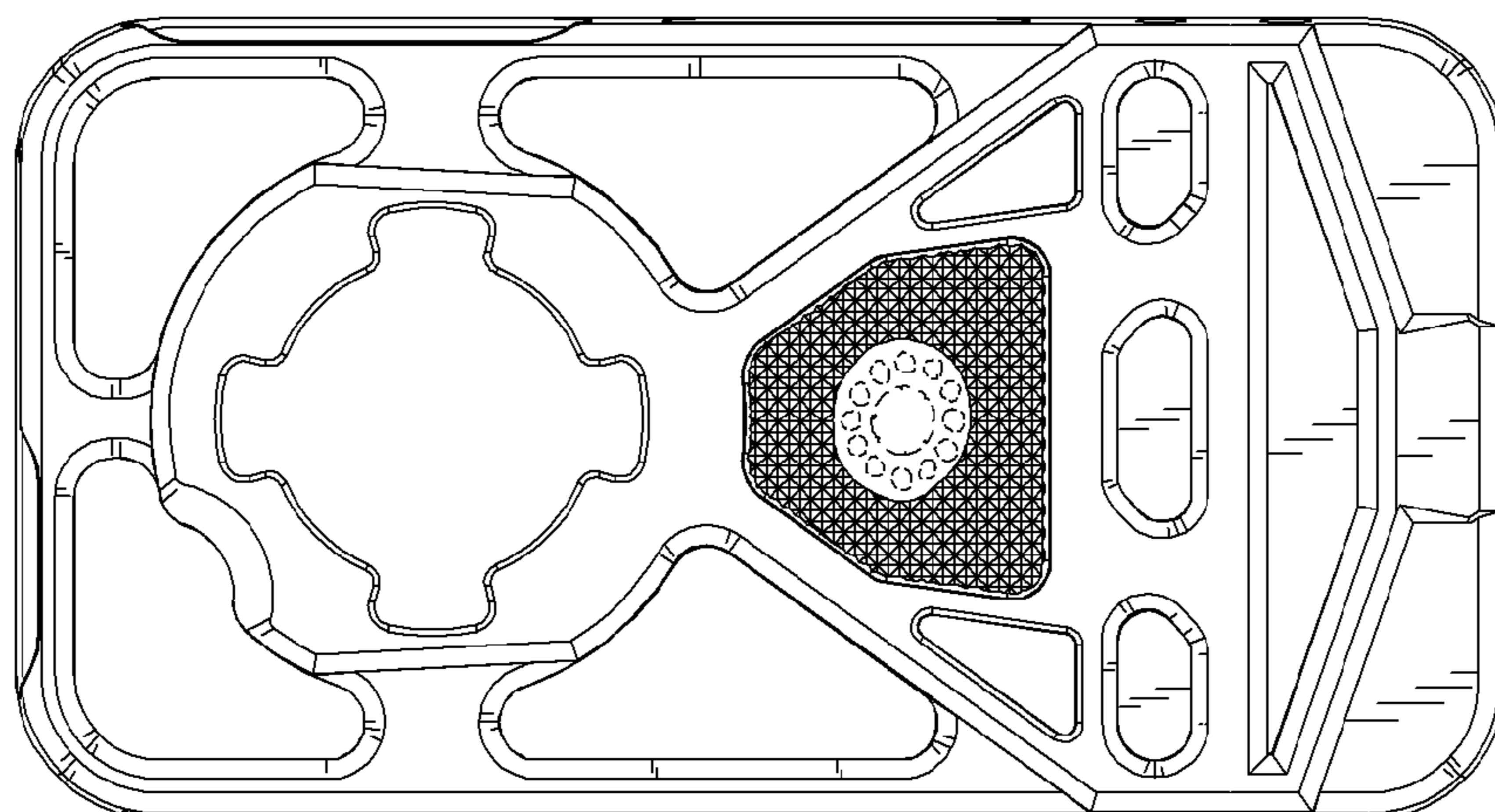


FIG. 3

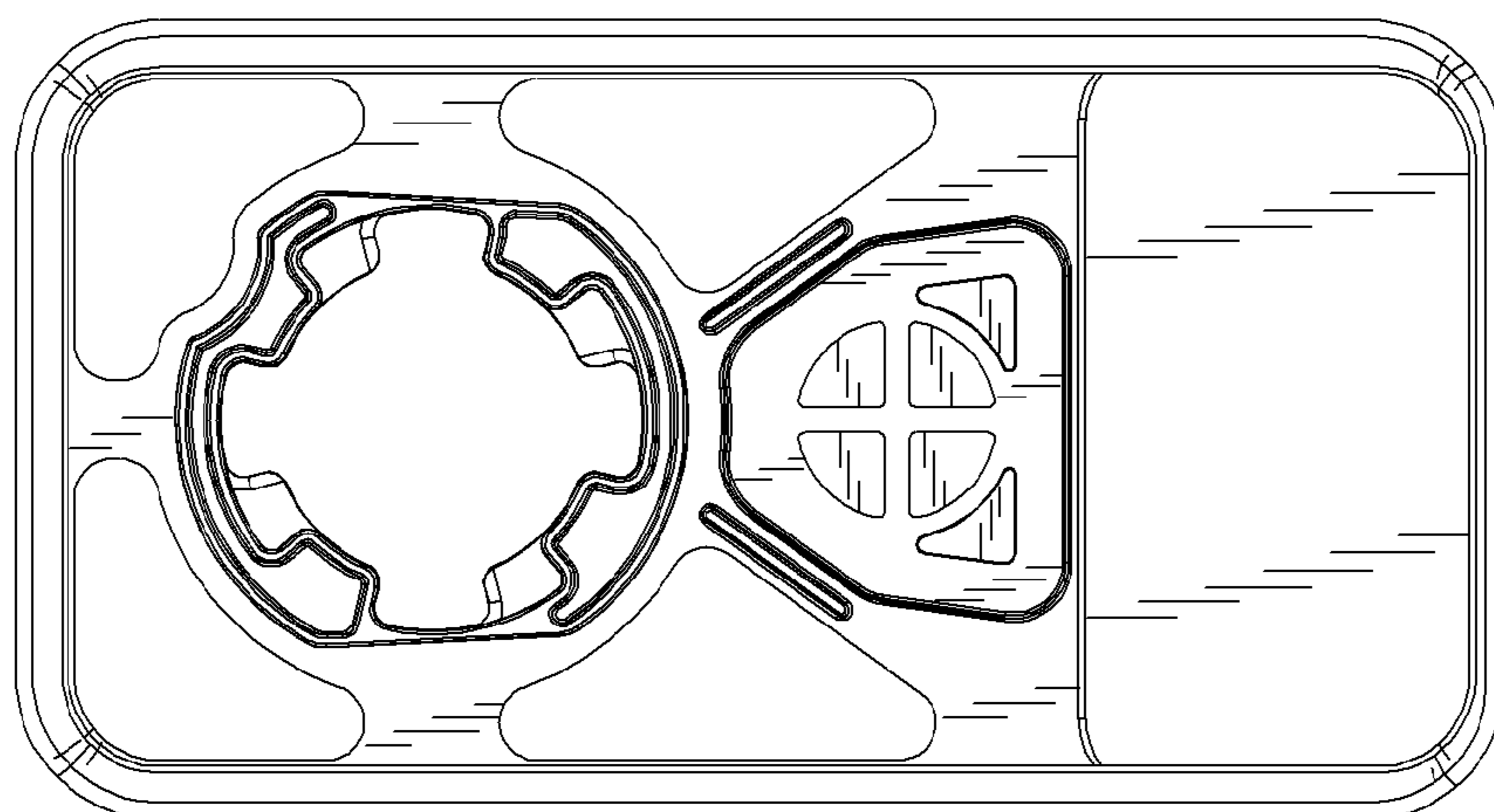
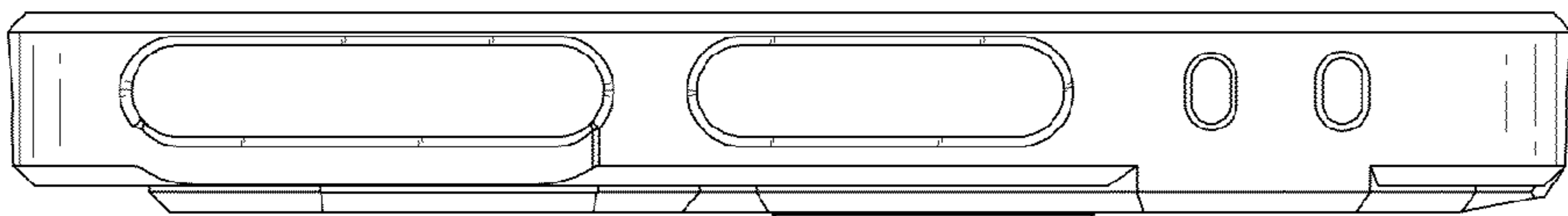
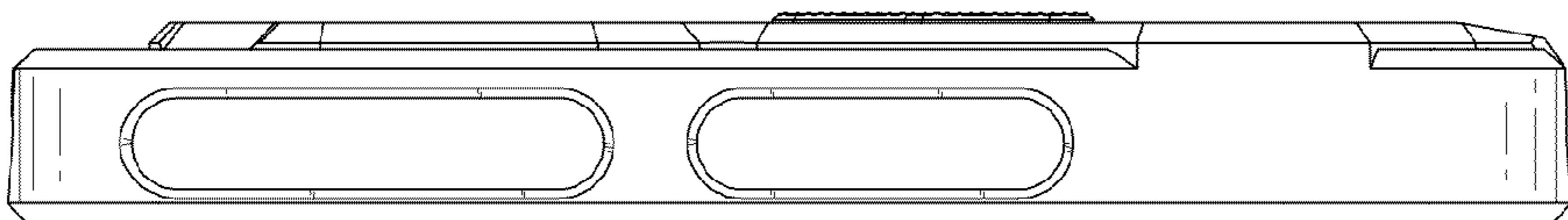


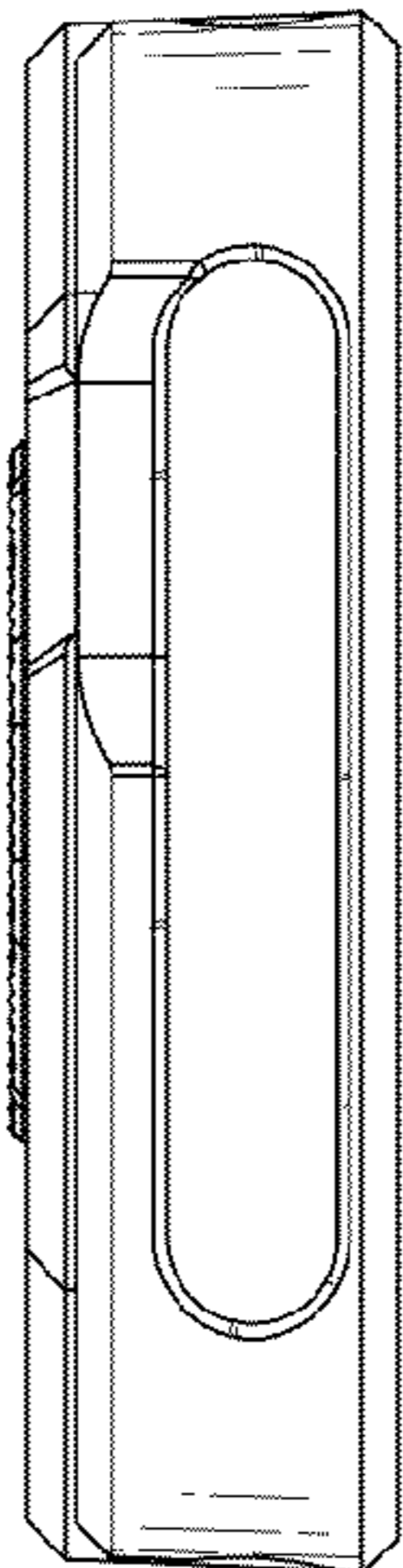
FIG. 2



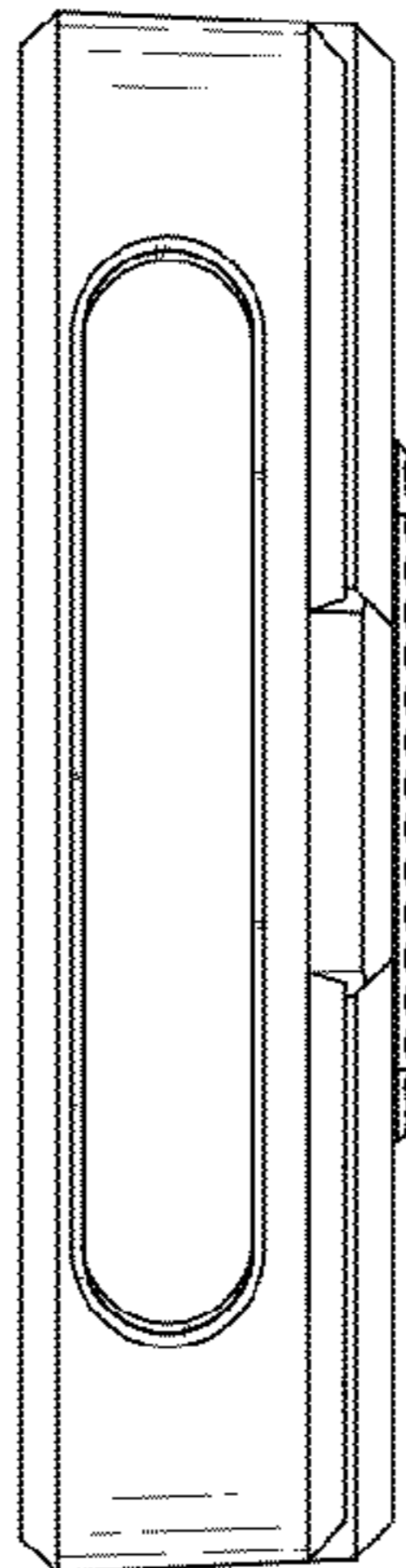
*FIG. 4*



*FIG. 5*



*FIG. 6*



*FIG. 7*

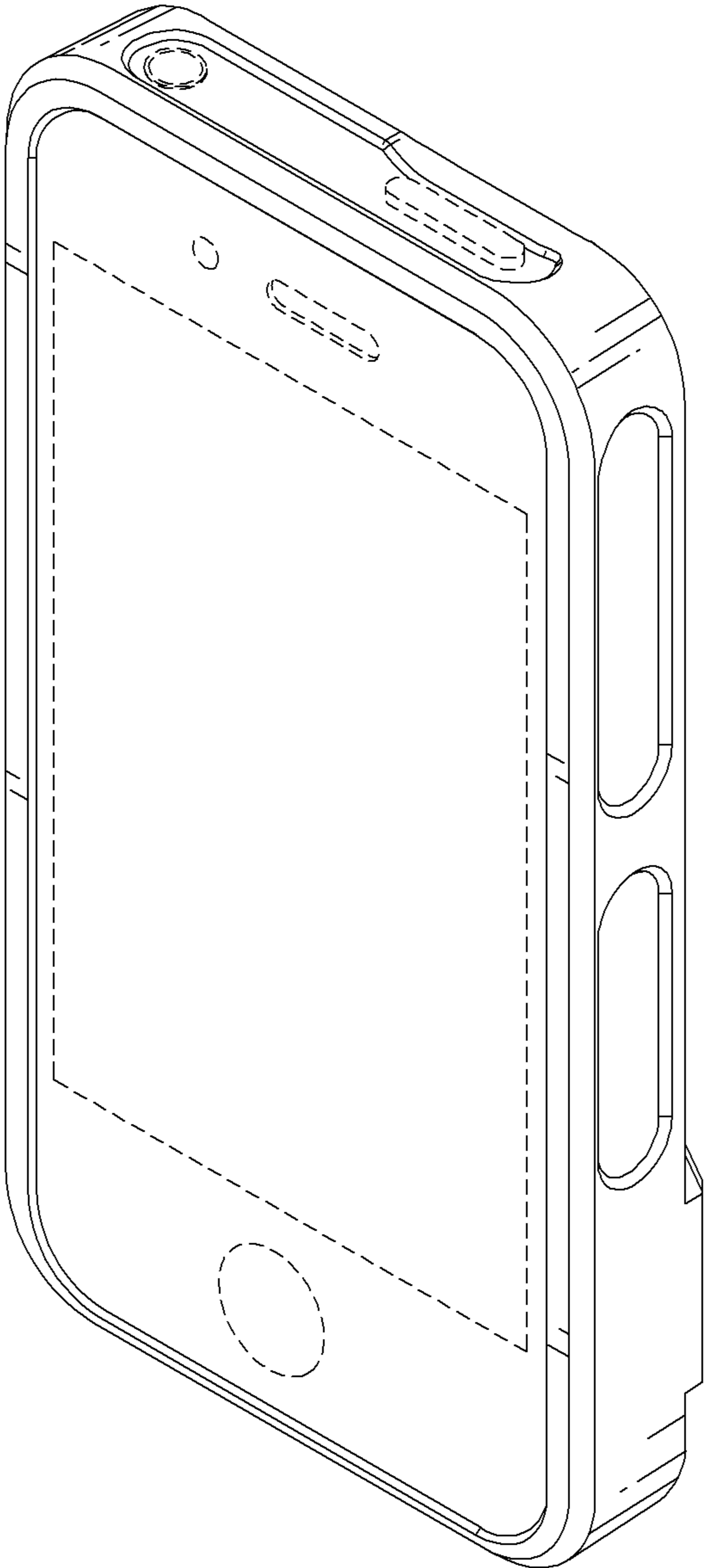


FIG. 8

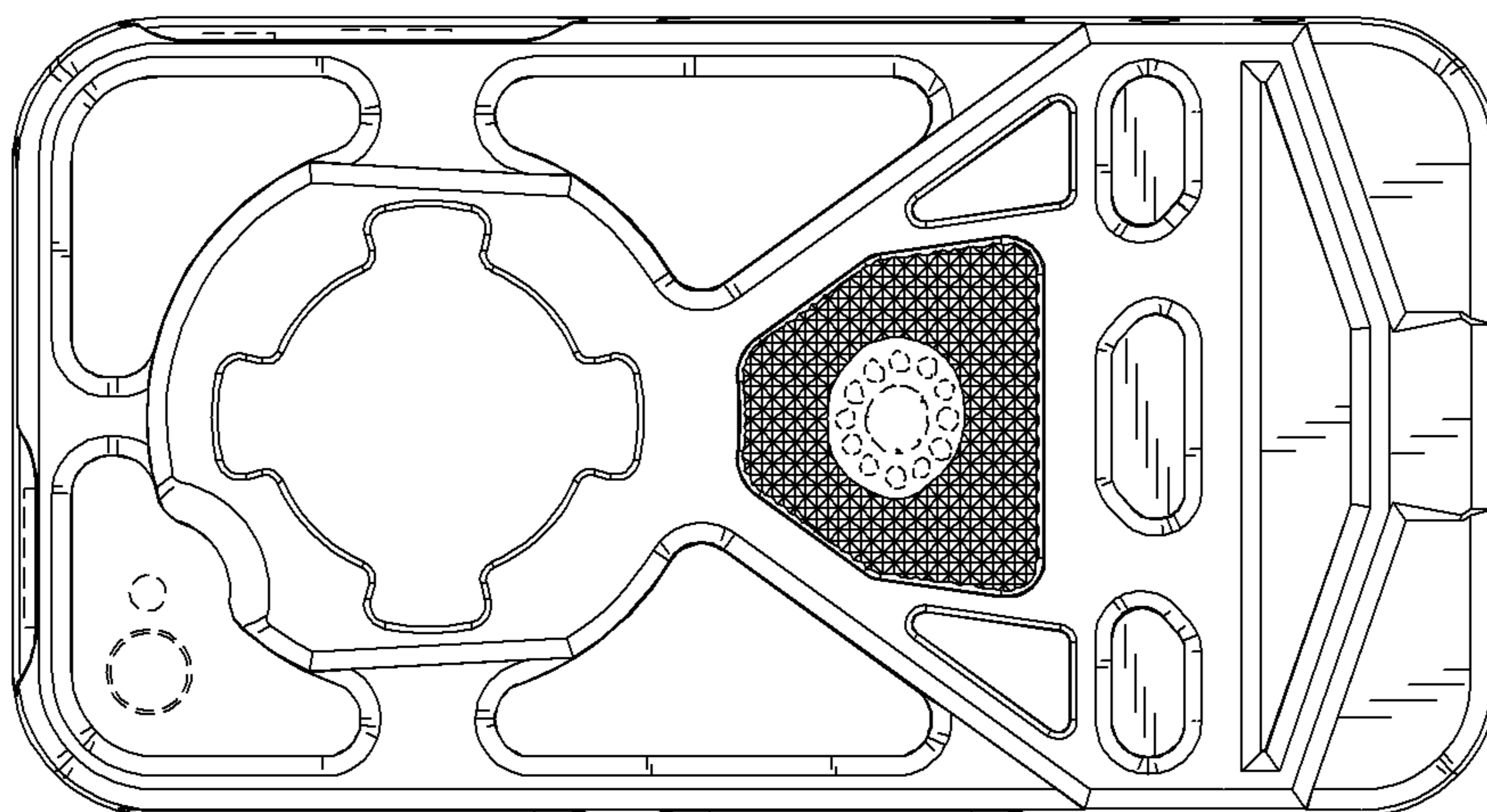


FIG. 10

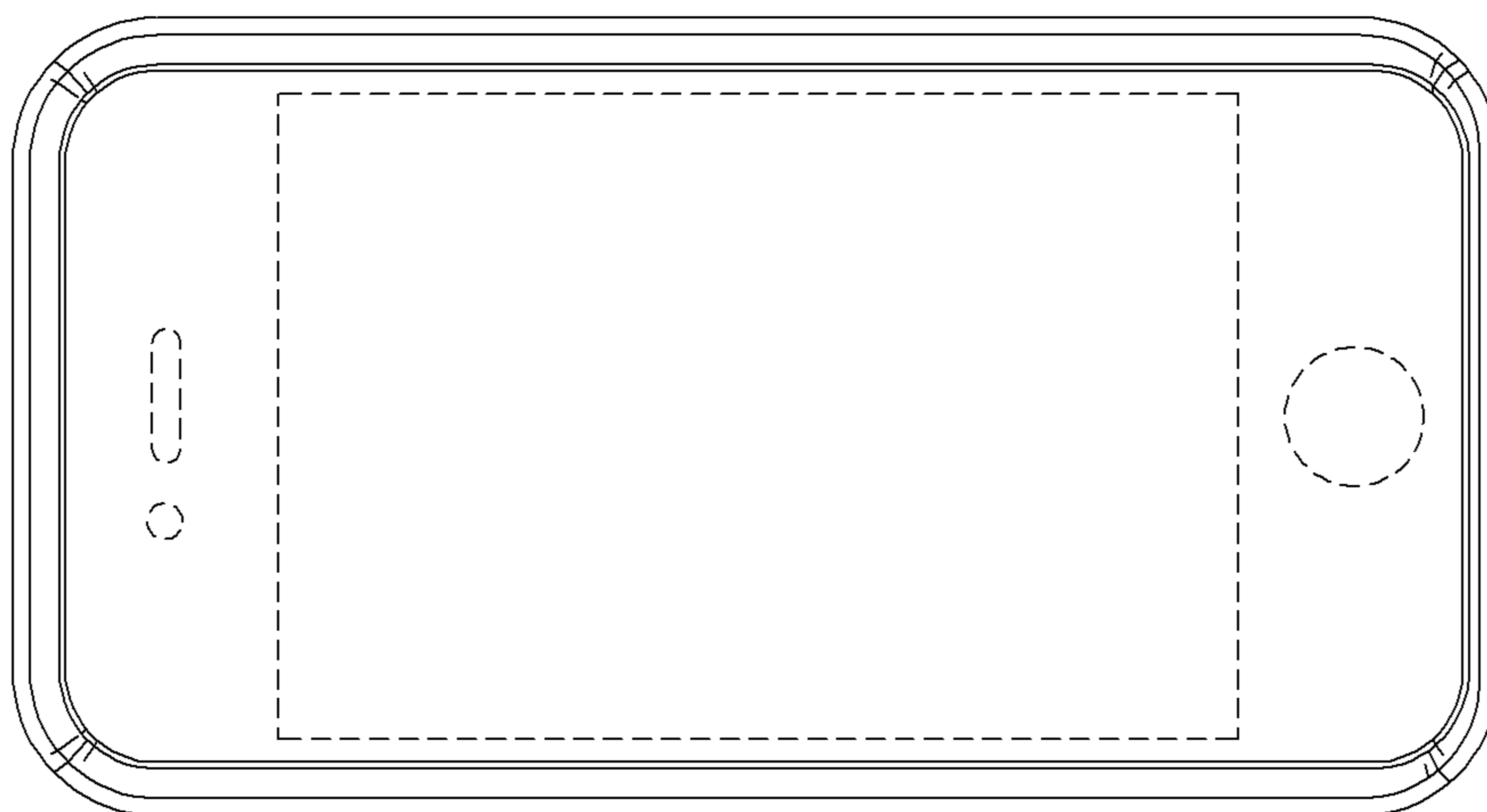
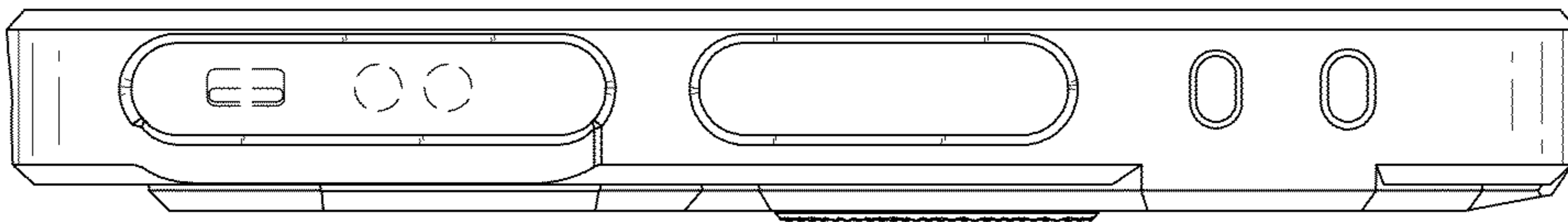
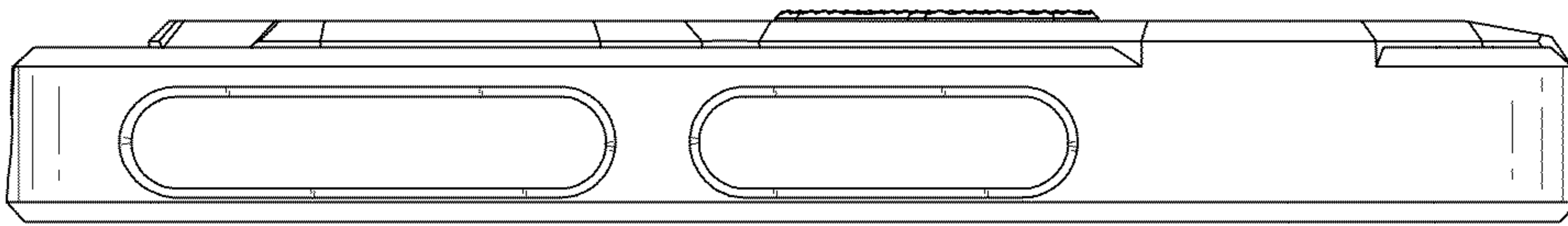


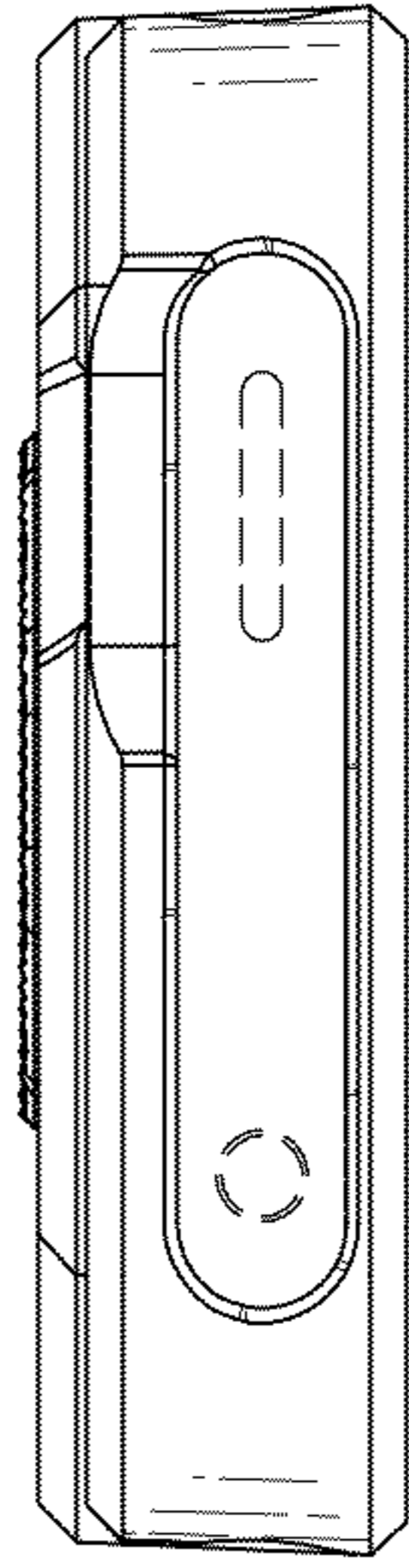
FIG. 9



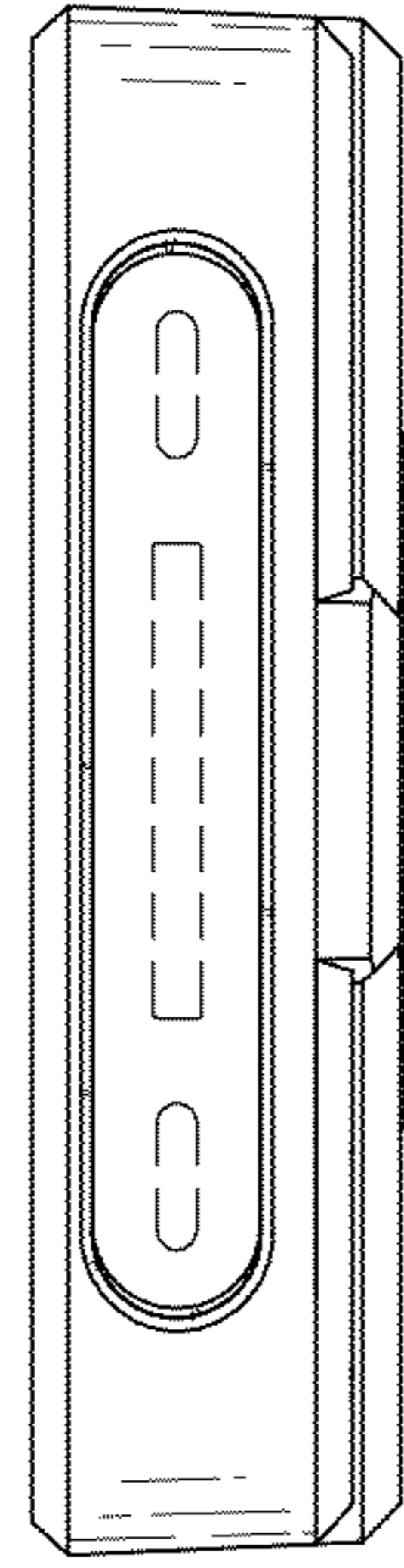
*FIG. 11*



*FIG. 12*



*FIG. 13*



*FIG. 14*



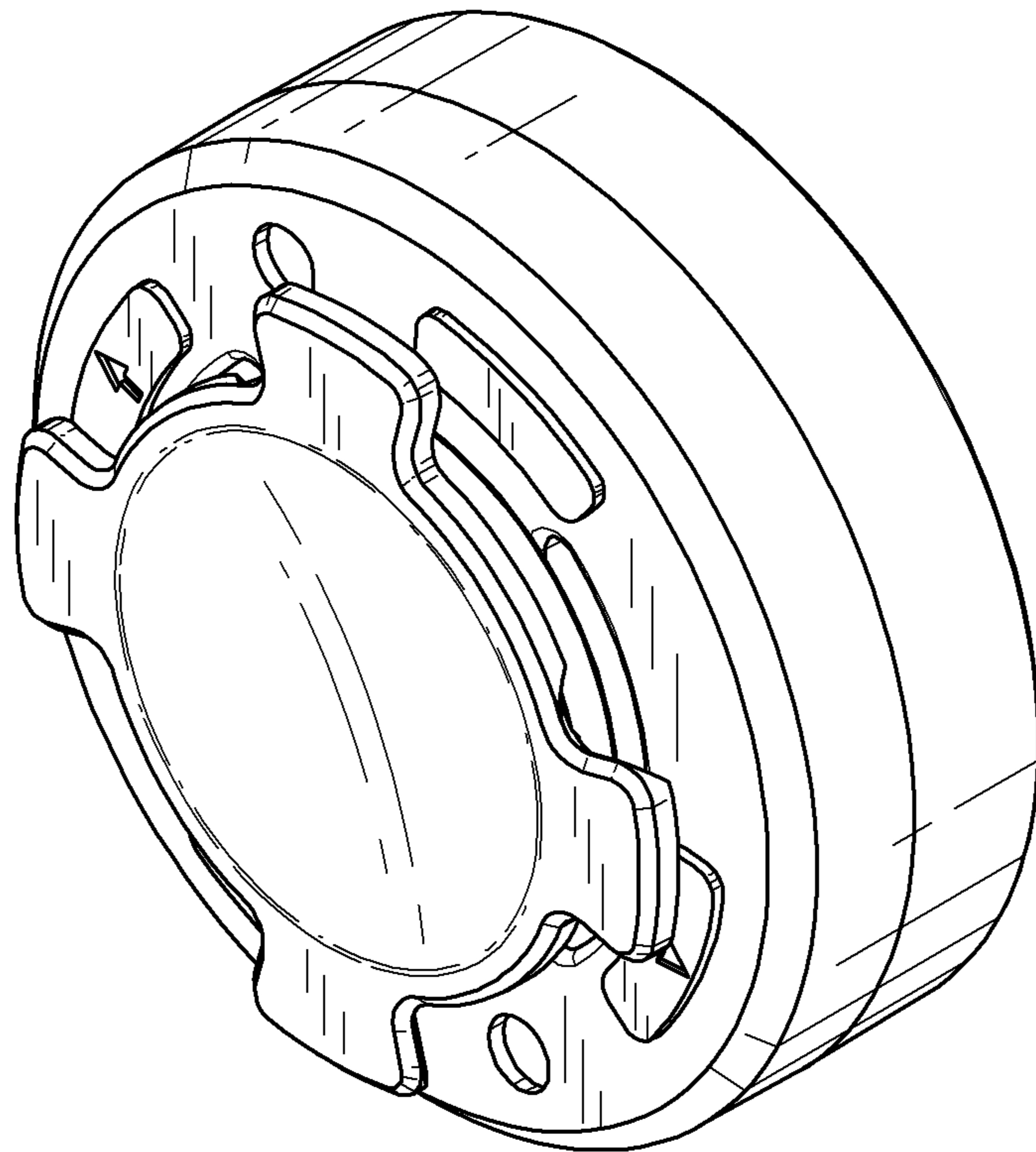
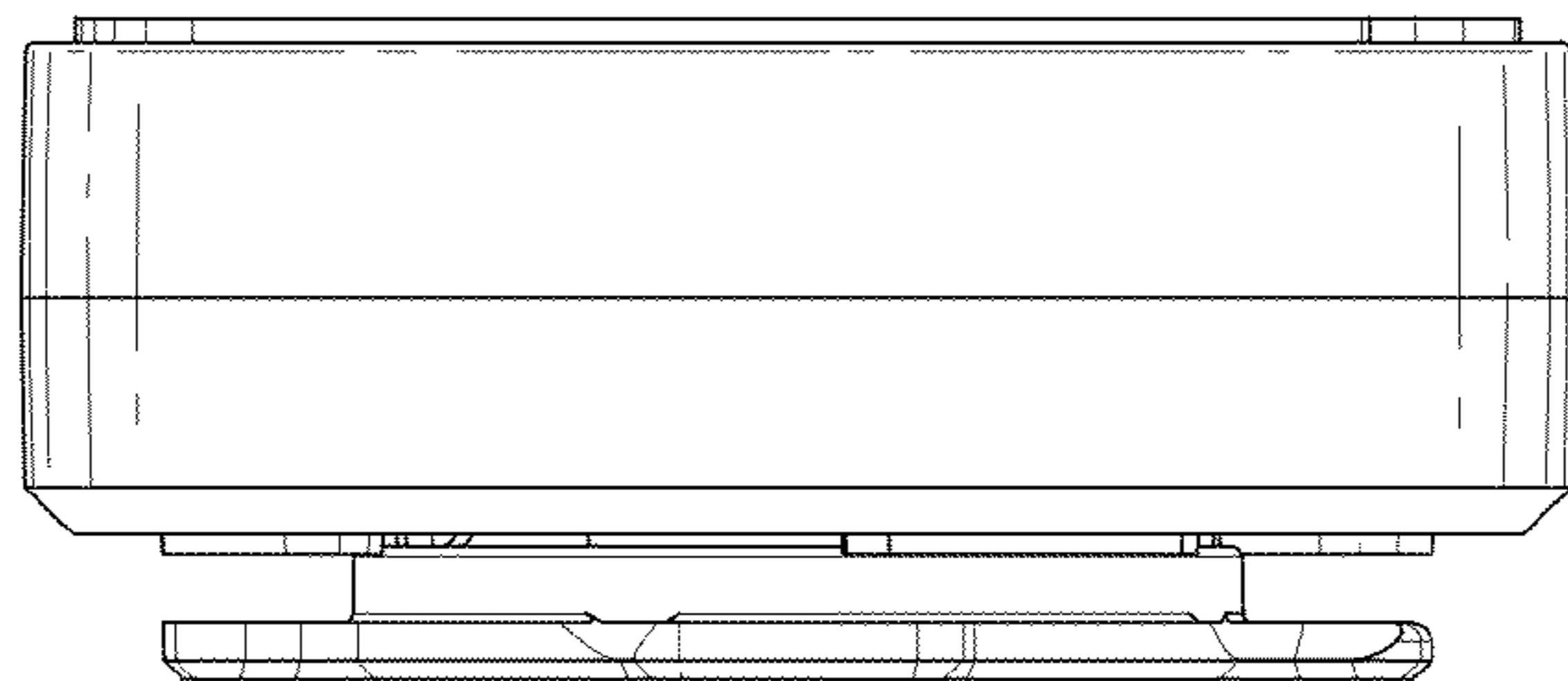
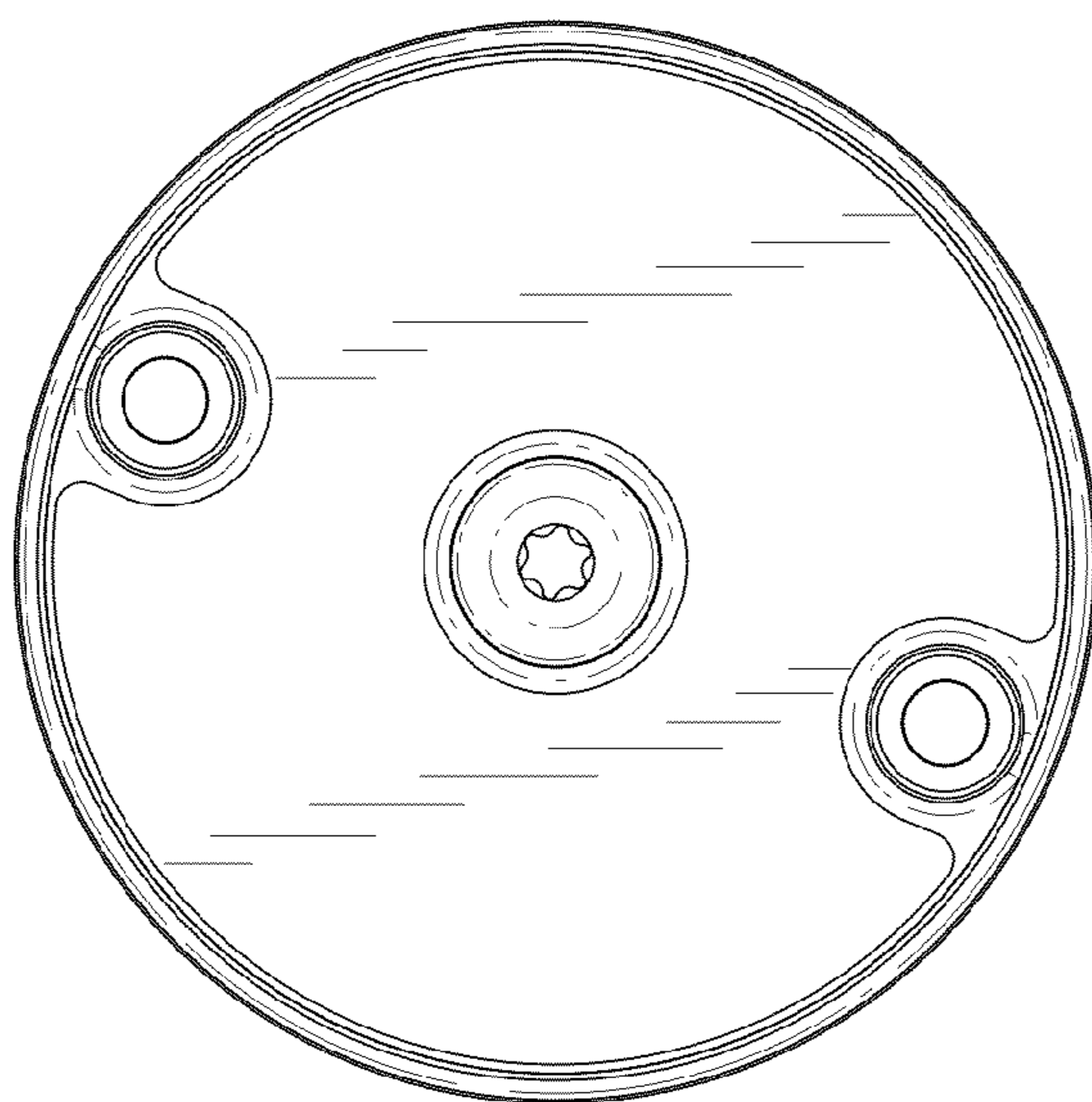


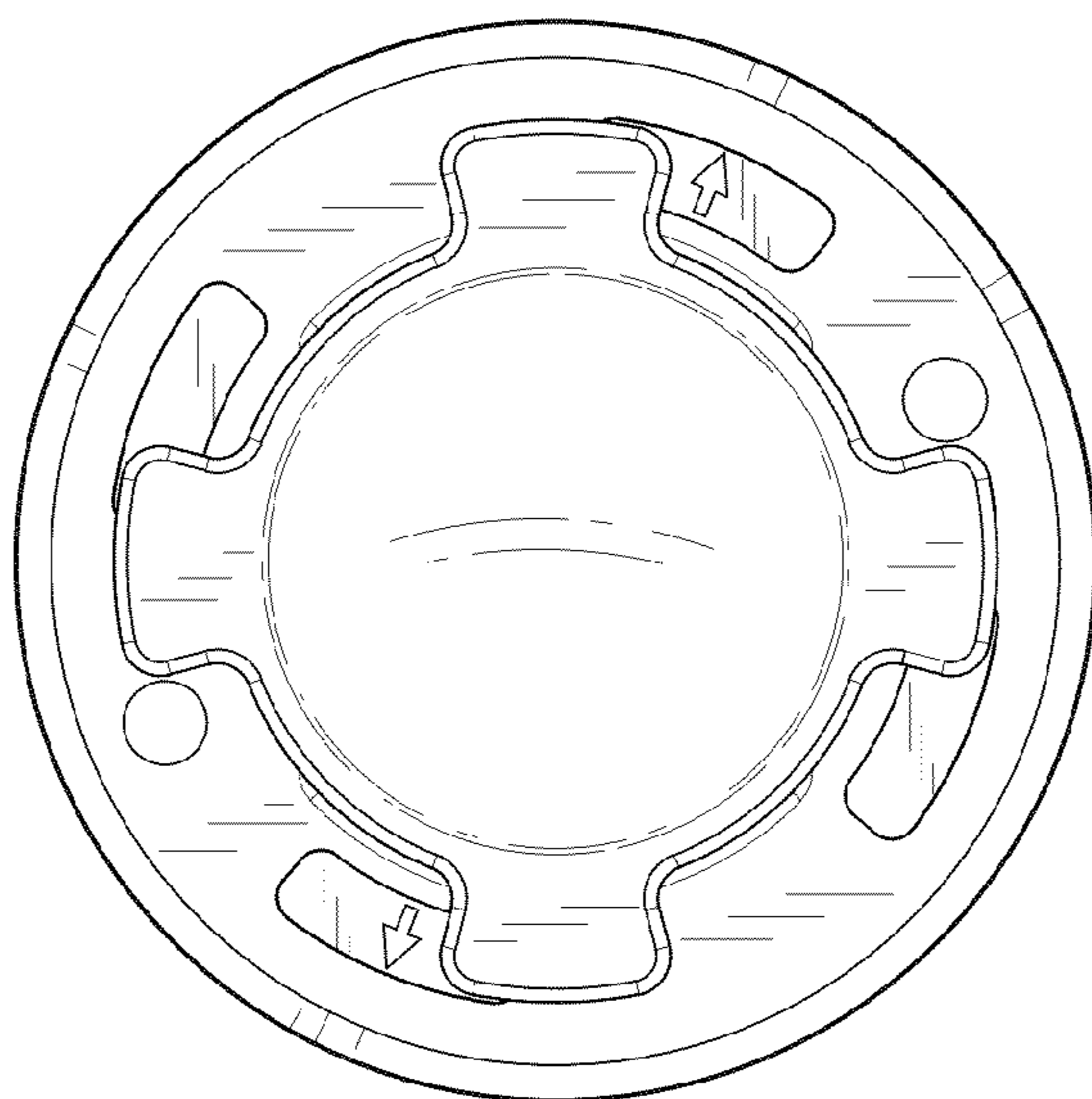
FIG. 15



*FIG. 18*



*FIG. 17*



*FIG. 16*