



US00D718289S

(12) **United States Design Patent**  
**Brand**

(10) **Patent No.:** **US D718,289 S**

(45) **Date of Patent:** **\*\* Nov. 25, 2014**

(54) **MULTI-PIECE CASE**

(75) Inventor: **Matthew Brand**, Brooklyn, NY (US)

(73) Assignee: **Mophie, Inc.**, Tustin, CA (US)

(\*\*) Term: **14 Years**

(21) Appl. No.: **29/406,346**

(22) Filed: **Nov. 11, 2011**

(51) **LOC (10) Cl.** ..... **14-03**

(52) **U.S. Cl.**  
USPC ..... **D14/250**

(58) **Field of Classification Search**  
USPC ..... D14/250–253, 440, 203.3–203.7, 217,  
D14/496, 248, 238.1, 240, 447, 138 AA;  
D3/201, 218, 269, 301, 273, 303, 103,  
D3/247; D13/103, 107–108, 119;  
220/4.02; 248/309.1, 371, 176.3, 668;  
361/679.56, 679.3, 679.25, 816;  
379/426, 433.11, 455; 455/575.1,  
455/575.8; 206/305, 320; 345/173

See application file for complete search history.

(56) **References Cited**

**U.S. PATENT DOCUMENTS**

D267,795 S	2/1983	Mallon
4,479,596 A	10/1984	Swanson
4,515,272 A	5/1985	Newhouse
D284,372 S	6/1986	Carpenter
4,951,817 A	8/1990	Barletta et al.
D312,534 S	12/1990	Nelson et al.
5,001,772 A	3/1991	Holcomb et al.
D322,719 S	12/1991	Jayez
D327,868 S	7/1992	Oka
5,360,108 A	11/1994	Alagia
5,368,159 A	11/1994	Doria
5,383,091 A	1/1995	Snell
5,386,084 A	1/1995	Risko
5,508,123 A	4/1996	Fan
D372,896 S	8/1996	Nagele et al.

5,586,002 A	12/1996	Notarianni
5,604,050 A	2/1997	Brunette et al.
5,610,979 A	3/1997	Yu
5,708,707 A	1/1998	Halttunen et al.
5,711,013 A	1/1998	Collett et al.

(Continued)

**FOREIGN PATENT DOCUMENTS**

CN	201252577	6/2009
CN	202364273	8/2012

(Continued)

**OTHER PUBLICATIONS**

U.S. Appl. No. 14/330,613, filed Jul. 14, 2014, Diebel et al.

(Continued)

*Primary Examiner* — Randall Gholson

(74) *Attorney, Agent, or Firm* — Knobbe Martens Olson & Bear LLP

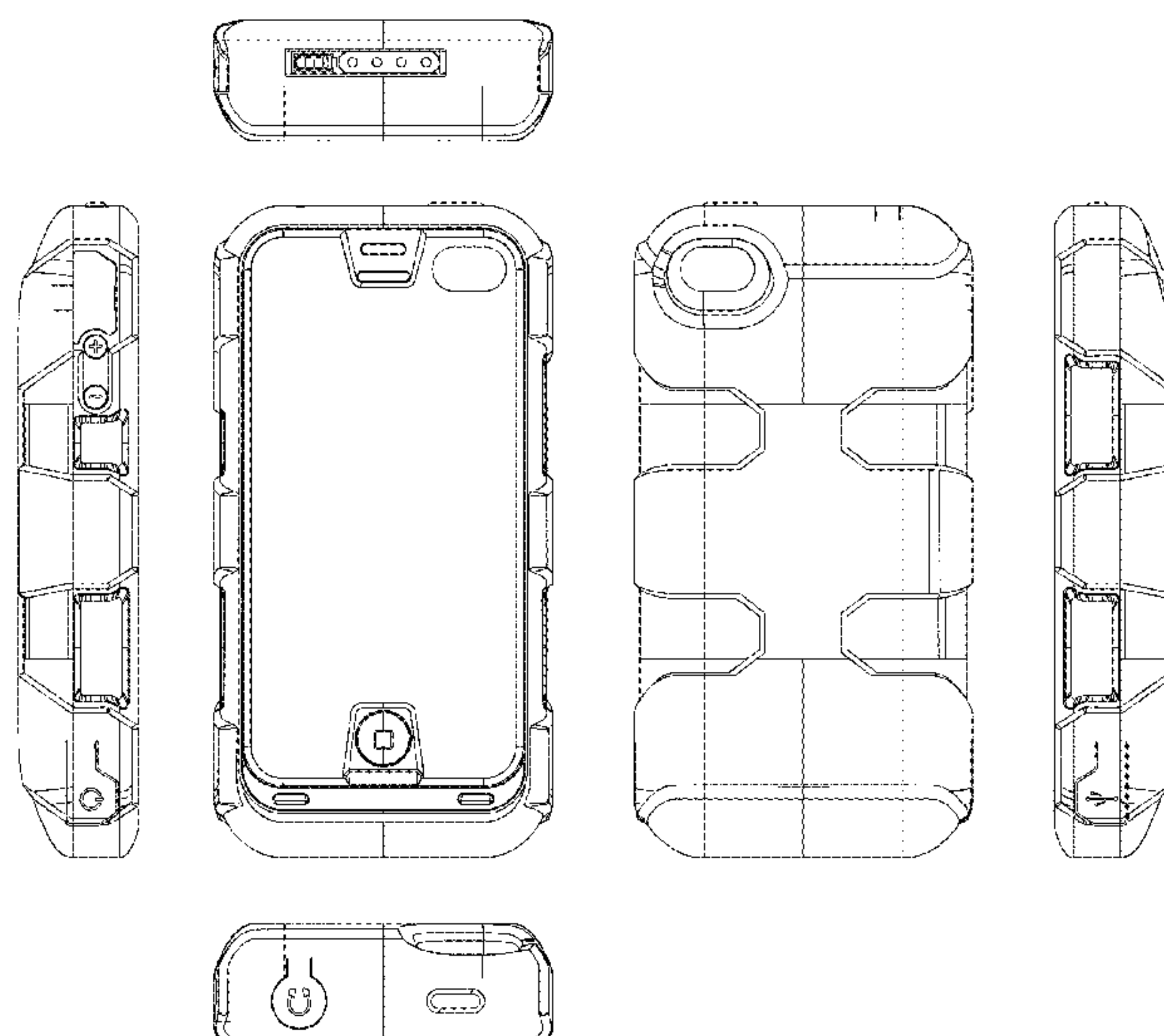
(57) **CLAIM**

The ornamental design for a multi-piece case, as shown and described in the Figures.

**DESCRIPTION**

FIG. 1 is an exploded three-quarter top view of the multi-piece case with a mobile computing device;  
FIG. 2 is an exploded three-quarter bottom view of the multi-piece case with a mobile computing device;  
FIG. 3 is a bottom, left-hand-side, front, rear, right-hand-side, and top view of the assembled multi-piece case; and,  
FIG. 4 is a bottom, left-hand-side front, rear, right-hand-side, and top view of the assembled multi-piece case enclosing a mobile computing device.  
The broken lines such as those showing the mobile computing device are for the purpose of illustrating environmental structure, and form no part of the claimed design.

**1 Claim, 4 Drawing Sheets**



(56)

References Cited

U.S. PATENT DOCUMENTS

D392,248 S	3/1998	Johansson	D526,958 S	8/2006	Shimizu
D392,939 S	3/1998	Finke-Anlauff	D530,079 S	10/2006	Thomas et al.
5,786,106 A	7/1998	Armani	D535,252 S	1/2007	Sandnes
5,816,459 A	10/1998	Armistead	7,158,376 B2	1/2007	Richardson et al.
D400,495 S	11/1998	Deslyper et al.	7,166,987 B2	1/2007	Lee et al.
5,859,481 A	1/1999	Banyas	D537,063 S	2/2007	Kim et al.
5,864,766 A	1/1999	Chiang	7,180,735 B2	2/2007	Thomas et al.
D405,801 S	2/1999	Nagele et al.	7,180,754 B2	2/2007	Qin et al.
D407,063 S	3/1999	Reis et al.	7,194,291 B2	3/2007	Peng
D407,708 S	4/1999	Nagele et al.	D540,539 S	4/2007	Gutierrez
5,896,277 A	4/1999	Leon et al.	7,203,467 B2	4/2007	Siddiqui
5,973,477 A	10/1999	Chang	D542,286 S	5/2007	Taniyama et al.
D417,189 S	11/1999	Amero, Jr. et al.	D542,524 S	5/2007	Richardson et al.
6,043,626 A	3/2000	Snyder et al.	D543,541 S	5/2007	Chung et al.
D424,512 S	5/2000	Ho	D544,486 S	6/2007	Hussaini et al.
6,081,595 A	6/2000	Picaud	7,230,823 B2	6/2007	Richardson et al.
D428,019 S	7/2000	Amron	D547,056 S	7/2007	Griffin et al.
6,082,535 A	7/2000	Mitchell	D547,057 S	7/2007	Griffin et al.
6,171,138 B1	1/2001	Lefebvre et al.	D550,455 S	9/2007	Barnhart
D438,004 S *	2/2001	Watson et al. .... D3/276	D551,252 S	9/2007	Andre et al.
6,184,654 B1	2/2001	Bachner, III et al.	D551,856 S	10/2007	Ko et al.
D439,218 S	3/2001	Yu	D553,857 S *	10/2007	Pendergraph et al. .... D3/273
6,201,867 B1	3/2001	Koike	D556,679 S	12/2007	Weinstein et al.
6,208,115 B1	3/2001	Binder	D556,681 S	12/2007	Kim
D446,497 S	8/2001	Yu	D557,205 S	12/2007	Kim
6,273,252 B1	8/2001	Mitchell	D557,264 S	12/2007	Richardson et al.
6,313,982 B1	11/2001	Hino	D557,494 S	12/2007	Mayette et al.
6,317,313 B1	11/2001	Mosgrove et al.	D557,897 S	12/2007	Richardson et al.
6,324,380 B1	11/2001	Kiuchi et al.	7,312,984 B2	12/2007	Richardson et al.
6,346,791 B1	2/2002	Barguirdjian	D558,667 S	1/2008	Park et al.
6,405,056 B1	6/2002	Altschul et al.	D558,757 S	1/2008	Andre et al.
D460,411 S	7/2002	Wang	D558,972 S	1/2008	Oh
D460,761 S	7/2002	Croley	D558,973 S	1/2008	Hussaini et al.
6,415,138 B2	7/2002	Sirola et al.	D559,267 S	1/2008	Griffin
6,445,577 B1	9/2002	Madsen et al.	D560,229 S	1/2008	Yagi
6,471,056 B1	10/2002	Tzeng	D561,092 S	2/2008	Kim
D469,427 S	1/2003	Ma et al.	7,336,973 B2	2/2008	Goldthwaite et al.
6,536,589 B2	3/2003	Chang	D563,093 S	3/2008	Nussberger
6,538,413 B1	3/2003	Beard et al.	7,343,184 B2	3/2008	Rostami
D472,384 S	4/2003	Richardson	D565,291 S	4/2008	Brandenburg et al.
6,552,513 B1	4/2003	Li	7,400,917 B2	7/2008	Wood et al.
6,555,990 B1	4/2003	Yang	D574,326 S	8/2008	Lim
6,583,601 B2	6/2003	Simoes et al.	D574,819 S	8/2008	Andre et al.
6,614,722 B2	9/2003	Polany et al.	D575,056 S	8/2008	Tan
6,626,362 B1	9/2003	Steiner et al.	7,428,427 B2	9/2008	Brunstrom et al.
D481,716 S	11/2003	He et al.	D577,904 S	10/2008	Sasaki
D482,529 S *	11/2003	Hardigg et al. .... D3/276	D581,151 S	11/2008	Aipa
6,646,864 B2	11/2003	Richardson	D581,155 S	11/2008	Richardson et al.
D484,874 S	1/2004	Chang et al.	D581,421 S	11/2008	Richardson et al.
D485,834 S	1/2004	Davetas	D582,149 S	12/2008	Tan
6,701,159 B1	3/2004	Powell	7,464,814 B2	12/2008	Carnevali
6,708,887 B1	3/2004	Garrett et al.	D584,732 S	1/2009	Cho et al.
6,714,802 B1	3/2004	Barvesten	7,479,759 B2	1/2009	Vilanov et al.
6,819,549 B1	11/2004	Lammers-Meis et al.	D587,008 S	2/2009	Richardson et al.
D500,041 S	12/2004	Tsujimoto	D587,896 S	3/2009	Aipa
D506,612 S	6/2005	Rosa et al.	D589,016 S	3/2009	Richardson et al.
D508,495 S	8/2005	Bone et al.	7,536,099 B2	5/2009	Dalby et al.
D513,123 S	12/2005	Richardson et al.	D593,319 S	6/2009	Richardson et al.
6,980,777 B2	12/2005	Shepherd et al.	D593,746 S	6/2009	Richardson et al.
D513,451 S	1/2006	Richardson et al.	D594,849 S	6/2009	Ko
6,992,461 B2	1/2006	Liang et al.	7,555,325 B2	6/2009	Goros
D514,808 S	2/2006	Morine et al.	D597,089 S	7/2009	Khan et al.
D516,309 S	3/2006	Richardson et al.	D597,301 S	8/2009	Richardson et al.
D516,553 S	3/2006	Richardson et al.	D598,407 S	8/2009	Richardson et al.
D516,554 S	3/2006	Richardson et al.	7,577,462 B2	8/2009	Kumar
D516,807 S	3/2006	Richardson et al.	D600,640 S	9/2009	Stein et al.
D517,007 S	3/2006	Yong-Jian et al.	D600,908 S	9/2009	Richardson et al.
D520,744 S *	5/2006	Pangerc et al. .... D3/273	D601,955 S	10/2009	Ekmekdje
7,050,841 B1	5/2006	Onda	D601,959 S	10/2009	Lee et al.
7,069,063 B2	6/2006	Halkosaari et al.	D601,960 S	10/2009	Dai
D525,582 S	7/2006	Chan	7,609,512 B2	10/2009	Richardson et al.
7,072,699 B2	7/2006	Eiden	D603,602 S	11/2009	Richardson et al.
7,079,879 B1	7/2006	Sylvester et al.	D603,603 S	11/2009	Laine et al.
7,081,736 B2	7/2006	Seil et al.	7,612,997 B1	11/2009	Diebel et al.
D526,780 S	8/2006	Richardson et al.	D605,850 S	12/2009	Richardson et al.
			D606,528 S	12/2009	Khan et al.
			D606,529 S	12/2009	Ferrari et al.
			7,635,086 B2	12/2009	Spencer, II
			7,638,969 B2	12/2009	Woud



(56)

References Cited

U.S. PATENT DOCUMENTS

7,647,082 B2	1/2010	Holmberg	D637,592 S	5/2011	Magness et al.
D609,228 S	2/2010	Ferrari et al.	D637,952 S	5/2011	Tan
D609,463 S	2/2010	Bullen	D638,005 S	5/2011	Richardson et al.
D610,538 S	2/2010	Wu et al.	D638,411 S	5/2011	Willes et al.
7,656,120 B2	2/2010	Neu et al.	D638,413 S	5/2011	Magness et al.
7,663,878 B2	2/2010	Swan et al.	D638,414 S	5/2011	Magness et al.
7,667,433 B1	2/2010	Smith	D638,828 S	5/2011	Melanson et al.
D610,807 S	3/2010	Bau	D638,829 S	5/2011	Melanson et al.
D611,042 S	3/2010	Ferrari et al.	D638,830 S	5/2011	Magness et al.
D611,478 S	3/2010	Richardson et al.	D639,731 S	6/2011	Sun
D613,282 S	4/2010	Richardson et al.	D640,679 S	6/2011	Willes et al.
D615,077 S	5/2010	Richardson et al.	D640,680 S	6/2011	Magness et al.
D615,535 S	5/2010	Richardson et al.	7,957,524 B2	6/2011	Chipping
D615,536 S	5/2010	Richardson et al.	D641,013 S	7/2011	Richardson et al.
D615,967 S	5/2010	Richardson et al.	D641,014 S	7/2011	Smith et al.
D616,360 S	5/2010	Huang	D641,974 S	7/2011	Stampfli
D616,361 S	5/2010	Huang	D642,170 S	7/2011	Johnson et al.
D617,753 S	6/2010	Cheng	D642,171 S	7/2011	Melanson et al.
D617,784 S	6/2010	Richardson et al.	D642,558 S	8/2011	Magness
D617,785 S	6/2010	Richardson et al.	D643,029 S	8/2011	Feng
D617,786 S	6/2010	Richardson et al.	D643,424 S *	8/2011	Richardson et al. .... D14/253
D617,787 S	6/2010	Richardson et al.	D644,215 S	8/2011	Dong
7,733,637 B1	6/2010	Lam	D644,216 S *	8/2011	Richardson et al. .... D14/250
D619,573 S	7/2010	Khan et al.	D644,219 S	8/2011	Sawada
D619,574 S	7/2010	Richardson et al.	7,988,010 B2	8/2011	Yang et al.
D619,991 S	7/2010	Huang	D644,635 S	9/2011	Richardson et al.
D620,487 S	7/2010	Richardson et al.	D644,639 S *	9/2011	Weller et al. .... D14/250
D621,394 S	8/2010	Richardson et al.	D647,084 S	10/2011	Fathollahi
D621,395 S	8/2010	Richardson et al.	D647,108 S	10/2011	Lee
D621,821 S	8/2010	Richardson et al.	8,028,794 B1	10/2011	Freeman
D621,822 S	8/2010	Richardson et al.	8,046,039 B2	10/2011	Lee et al.
7,778,023 B1	8/2010	Mohoney	D648,714 S	11/2011	Jones, III et al.
7,782,610 B2	8/2010	Diebel et al.	D648,715 S	11/2011	Jones, III et al.
D623,179 S	9/2010	Richardson et al.	D648,716 S	11/2011	Jones, III et al.
D623,180 S	9/2010	Diebel	D649,143 S	11/2011	Jones, III et al.
D623,638 S	9/2010	Richardson et al.	D649,539 S	11/2011	Hong
D623,639 S	9/2010	Richardson et al.	D650,810 S	12/2011	Lemelman et al.
D623,640 S	9/2010	Freeman	D653,202 S	1/2012	Hasbrook et al.
D624,317 S *	9/2010	Wenchel et al. .... D3/294	D654,069 S	2/2012	Kwon
D624,533 S	9/2010	Richardson et al.	D654,483 S	2/2012	Richardson et al.
D624,908 S	10/2010	Huskinson	D654,931 S	2/2012	Lemelman et al.
D624,909 S	10/2010	Huskinson	D655,281 S	3/2012	Turocy
D624,910 S	10/2010	Richardson et al.	D655,699 S	3/2012	Bau
D625,303 S	10/2010	Kim	D656,495 S	3/2012	Andre et al.
D626,120 S	10/2010	Richardson et al.	D658,165 S	4/2012	Freeman
D626,121 S	10/2010	Richardson et al.	8,150,485 B2	4/2012	Lee
D626,538 S	11/2010	Brown et al.	8,167,127 B2	5/2012	Martin et al.
D626,539 S	11/2010	Brown et al.	D662,923 S	7/2012	Piedra et al.
D626,540 S	11/2010	Brown et al.	D663,263 S	7/2012	Gupta et al.
D626,964 S	11/2010	Richardson et al.	D663,319 S	7/2012	Chen et al.
D628,568 S	12/2010	Richardson et al.	D664,091 S	7/2012	Pliner et al.
D628,994 S	12/2010	Griffin, Jr. et al.	8,224,408 B2	7/2012	Tomasini et al.
7,859,222 B2	12/2010	Woud	D665,386 S	8/2012	Fathollahi
D631,246 S	1/2011	Boettner	D665,735 S	8/2012	Kang et al.
7,863,856 B2	1/2011	Sherman et al.	8,245,842 B2	8/2012	Bau
7,863,862 B2	1/2011	Idzik et al.	8,247,102 B2	8/2012	Hua
D632,648 S	2/2011	Yang	D667,783 S	9/2012	Zhang et al.
D632,683 S	2/2011	Richardson et al.	D670,281 S	11/2012	Corpuz et al.
D632,684 S	2/2011	Richardson et al.	D670,689 S	11/2012	Wang
D632,685 S	2/2011	Richardson et al.	D671,105 S	11/2012	Rothbaum et al.
D632,686 S	2/2011	Magness et al.	D671,106 S	11/2012	Rothbaum et al.
7,889,489 B2	2/2011	Richardson et al.	D671,493 S	11/2012	Hasbrook et al.
7,889,498 B2	2/2011	Diebel et al.	8,321,619 B2	11/2012	Kular et al.
D634,704 S	3/2011	Tieleman et al.	8,328,008 B2	12/2012	Diebel et al.
D634,741 S	3/2011	Richardson et al.	D674,394 S	1/2013	Kajimoto
7,899,397 B2	3/2011	Kumar	D675,603 S	2/2013	Melanson et al.
7,907,394 B2	3/2011	Richardson et al.	D676,032 S	2/2013	Stump et al.
D636,386 S	4/2011	Richardson et al.	D676,432 S	2/2013	Hasbrook et al.
D636,387 S	4/2011	Willes et al.	8,367,235 B2	2/2013	Huang
7,930,011 B2	4/2011	Shi et al.	8,380,264 B2	2/2013	Hung et al.
7,933,122 B2	4/2011	Richardson et al.	D677,249 S	3/2013	Li et al.
D637,588 S	5/2011	Richardson et al.	D678,869 S	3/2013	Diebel
D637,589 S	5/2011	Willes et al.	D679,271 S	4/2013	Liu
D637,590 S	5/2011	Michie et al.	D679,684 S	4/2013	Baker et al.
D637,591 S	5/2011	Willes et al.	D682,196 S	5/2013	Leung
			8,452,242 B2	5/2013	Spencer, II
			8,457,701 B2	6/2013	Diebel
			D685,356 S	7/2013	Diebel
			D686,152 S	7/2013	Lee et al.



(56)

References Cited

U.S. PATENT DOCUMENTS

D686,606 S 7/2013 Hong  
 8,483,758 B2 7/2013 Huang  
 D687,426 S 8/2013 Requa  
 8,499,933 B2 8/2013 Ziemba  
 8,505,718 B2 8/2013 Griffin, Jr. et al.  
 8,509,864 B1 8/2013 Diebel  
 8,531,833 B2 9/2013 Diebel et al.  
 D691,990 S 10/2013 Rayner  
 8,560,014 B1 10/2013 Hu et al.  
 D693,801 S 11/2013 Rayner  
 8,579,172 B2 11/2013 Monaco et al.  
 D696,234 S \* 12/2013 Wright ..... D14/250  
 2001/0054148 A1 12/2001 Hoornaert et al.  
 2002/0111189 A1 8/2002 Chou  
 2002/0147035 A1 10/2002 Su  
 2002/0197965 A1 12/2002 Peng  
 2003/0000984 A1 1/2003 Vick, III  
 2003/0096642 A1 5/2003 Bessa et al.  
 2003/0151890 A1 8/2003 Huang et al.  
 2003/0218445 A1 11/2003 Behar  
 2003/0228866 A1 12/2003 Pezeshki  
 2004/0096054 A1 5/2004 Nuovo  
 2004/0097256 A1 5/2004 Kujawski  
 2004/0104268 A1 6/2004 Bailey  
 2005/0090301 A1 4/2005 Lange et al.  
 2005/0093510 A1 5/2005 Seil et al.  
 2005/0116684 A1 6/2005 Kim  
 2005/0231159 A1 10/2005 Jones et al.  
 2005/0247787 A1 11/2005 Von Mueller et al.  
 2005/0248312 A1 11/2005 Cao et al.  
 2005/0286212 A1 12/2005 Brignone et al.  
 2006/0010588 A1 1/2006 Schuster et al.  
 2006/0052064 A1 3/2006 Goradesky  
 2006/0058073 A1 3/2006 Kim  
 2006/0063569 A1 3/2006 Jacobs et al.  
 2006/0099999 A1 5/2006 Park  
 2006/0105722 A1 5/2006 Kumar  
 2006/0105824 A1 5/2006 Kim et al.  
 2006/0125445 A1 6/2006 Cao et al.  
 2006/0205447 A1 9/2006 Park et al.  
 2006/0255493 A1 11/2006 Fouladpour  
 2007/0004450 A1 1/2007 Parikh  
 2007/0093140 A1 4/2007 Begic et al.  
 2007/0142097 A1 6/2007 Hamasaki et al.  
 2007/0152633 A1 7/2007 Lee  
 2007/0161404 A1 7/2007 Yasujima et al.  
 2007/0167190 A1 7/2007 Moosavi et al.  
 2007/0225031 A1 9/2007 Bodkin et al.  
 2007/0236180 A1 10/2007 Rodgers  
 2007/0261978 A1 11/2007 Sanderson  
 2007/0297149 A1 12/2007 Richardson et al.  
 2008/0007214 A1 1/2008 Cheng  
 2008/0026803 A1 1/2008 Demuynck  
 2008/0032758 A1 2/2008 Rostami  
 2008/0053770 A1 3/2008 Tynyk  
 2008/0096620 A1 4/2008 Lee et al.  
 2008/0108395 A1 5/2008 Lee et al.  
 2008/0119244 A1 5/2008 Malhotra  
 2008/0123287 A1 5/2008 Rossell et al.  
 2008/0132289 A1 6/2008 Wood et al.  
 2009/0017883 A1 1/2009 Lin  
 2009/0051319 A1 2/2009 Fang et al.  
 2009/0069050 A1 3/2009 Jain et al.  
 2009/0073650 A1 3/2009 Huang et al.  
 2009/0108800 A1 4/2009 Woud  
 2009/0111543 A1 4/2009 Tai et al.  
 2009/0114556 A1 5/2009 Tai et al.  
 2009/0117955 A1 5/2009 Lo  
 2009/0128092 A1 5/2009 Woud  
 2009/0143104 A1 6/2009 Loh et al.  
 2009/0144456 A1 6/2009 Gelf et al.  
 2009/0146898 A1 6/2009 Akiho et al.  
 2009/0160399 A1 6/2009 Woud  
 2009/0160400 A1 6/2009 Woud  
 2009/0181729 A1 7/2009 Griffin, Jr. et al.

2009/0205983 A1 8/2009 Estlander  
 2009/0247244 A1 10/2009 Mittleman et al.  
 2009/0284216 A1 11/2009 Bessa et al.  
 2009/0301289 A1 12/2009 Gynes  
 2009/0314400 A1 12/2009 Liu  
 2009/0325657 A1 12/2009 Ramsdell et al.  
 2010/0013431 A1 1/2010 Liu  
 2010/0022277 A1 1/2010 An et al.  
 2010/0026589 A1 2/2010 Dou et al.  
 2010/0048267 A1 2/2010 Lin  
 2010/0064883 A1 3/2010 Gynes  
 2010/0078343 A1 4/2010 Hoellwarth et al.  
 2010/0088439 A1 4/2010 Ang et al.  
 2010/0093412 A1 4/2010 Serra et al.  
 2010/0096284 A1 4/2010 Bau  
 2010/0113106 A1 5/2010 Supran  
 2010/0195279 A1 8/2010 Michael  
 2010/0200456 A1 8/2010 Parkinson  
 2010/0203931 A1 8/2010 Hyneczek et al.  
 2010/0243516 A1 9/2010 Martin et al.  
 2010/0302716 A1 12/2010 Gandhi  
 2010/0328203 A1 12/2010 Hsu  
 2011/0049005 A1 3/2011 Wilson et al.  
 2011/0055447 A1 3/2011 Costa  
 2011/0084081 A1 4/2011 Chung et al.  
 2011/0090626 A1 4/2011 Hoellwarth et al.  
 2011/0117974 A1 5/2011 Spitalnik et al.  
 2011/0136555 A1 6/2011 Ramies et al.  
 2011/0159324 A1 6/2011 Huang et al.  
 2011/0199041 A1 8/2011 Yang  
 2011/0253569 A1 10/2011 Lord  
 2011/0287726 A1 11/2011 Huang  
 2011/0297578 A1 12/2011 Stiehl et al.  
 2012/0013295 A1 1/2012 Yeh  
 2012/0071214 A1 3/2012 Ash, Jr. et al.  
 2012/0088555 A1 4/2012 Hu  
 2012/0122520 A1 5/2012 Phillips  
 2012/0161696 A1 6/2012 Cook et al.  
 2012/0209745 A1 8/2012 Spencer, II  
 2012/0282977 A1 11/2012 Haleluk  
 2012/0303520 A1 11/2012 Huang  
 2013/0045775 A1 2/2013 Heywood  
 2013/0084799 A1 4/2013 Marholev et al.  
 2013/0189923 A1 7/2013 Lewin  
 2013/0273983 A1 10/2013 Hsu  
 2013/0314880 A1 11/2013 Sun et al.  
 2014/0065948 A1 3/2014 Huang

FOREIGN PATENT DOCUMENTS

CN 202535667 11/2012  
 CN 302573150 9/2013  
 JP 8-18637 1/1996  
 JP 2000-175720 6/2000  
 KR 10-2005002796 3/2005  
 KR 20-2010-0005030 5/2010  
 KR 10-2010-0132724 12/2010  
 KR 10-2011-0005507 1/2011  
 TW D150044 11/2012  
 TW D156538 10/2013  
 WO WO 95/15619 6/1995  
 WO WO 97/33497 9/1997

OTHER PUBLICATIONS

Panasonic Lithium Ion Batteries Technical Handbook, dated 2007.  
 Chris Foresman, "Several Backup Batteries Can Extend Your Daily iPhone 3G Use," dated Jul. 18, 2008, <http://arstechnica.com/apple/2008/07/several-backup-batteries-can-extendyour-daily-iphone-3g-use/>.  
 Using Your Treo 650 Smartphone by palmOne, dated 2005.  
 Lisa Gade, "Palm Treo 750," dated Jan. 17, 2007, <http://www.mobiletechreview.com/phones/Treo-750.htm>.  
 Incase Power Slider 3G for iPhone 3G Product Reference, alleged by Incase to be available on Nov. 28, 2008.  
 iPhone User's Guide, 2007.  
 "Power Slider," Web Archive Date Dec. 4, 2008, <https://web.archive.org/web/20081204105303/http://goincase.com/products/detail/power-slider-ec20003/>.



(56)

## References Cited

## OTHER PUBLICATIONS

Azadeh Ensha, "A Case for Filling the iPhone 3G's Power Vacuum," Dated Nov. 27, 2008.

Joseph Flatley, "Incase Power Slider for iPhone 3G Doubles the Juice, Lets You Sync," dated Nov. 17, 2008.

Darren Quick, "Mophie Juice Pack for iPhone 3G now shipping," dated Nov. 10, 2008, <http://www.gizmag.com/mophie-juice-pack-iphone-3g/10342/>.

Otterbox Catalog, 2006.

Jeremy Horowitz, "PhoneSuit MiLi Power Pack for iPhone," Jan. 29, 2009, <http://www.ilounge.com/index.php/reviews/entry/phonesuit-mili-power-pack-for-iphone/>.

Jeremy Horowitz, "FastMac TruePower iV Universal Battery Charger," Dec. 11, 2008, <http://www.ilounge.com/index.php/reviews/entry/fastmac-truepower-iv-universal-battery-charger/>.

Jeremy Horowitz, "Konnet PowerKZ Extended Power for iPhone," Apr. 2, 2009, <http://www.ilounge.com/index.php/reviews/entry/konnet-powerkz-extended-power-for-iphone/>.

"Test: Batterie iPhone SKPAD" with Machine English Translation, Feb. 2, 2009, <http://iphonesofa.com/2009/02/02/test-batterie-iphone-skpad>.

*Case-Ari, LLC v. mStation, Inc.*, Case No. 1:2010-CV-01874 in the United States District Court for the Northern District of Georgia, filed Jun. 17, 2010.

*Daniel Huang v. GC Technology, LLC*, Case No. CV10-4705 CAS (VBKx) in the United States District Court for the Central District of California, filed Jun. 24, 2010.

*Hali-Power, Inc. v. mStation Corp.*, Case No. 1:2010-CV-00773 in the United States District Court for the Northern District of New York, filed Jun. 30, 2010.

*Mophie, Inc. v. Loza & Loza, LLP*, Case No. SACV11-00539 DOC (MLGx) in the United States District Court for the Central District of California, filed Apr. 7, 2011.

Mophie's Complaint, filed Apr. 7, 2011 in *Mophie, Inc. v. Loza & Loza, LLP*, Case No. SACV11-00539 DOC (MLGx) in the United States District Court for the Central District of California.

*Mophie, Inc. v. Foreign Trade Corporation*, Case No. 8:12-CV-00292-JST-RNB in the United States District Court for the Central District of California, filed Feb. 24, 2012.

*Mophie, Inc. v. Kdlinks Inc.*, Case No. 2:2012-CV-02639 in the United States District Court for the Central District of California, filed Mar. 27, 2012.

*Otter Products, LLC v. Mophie, LLC*, Case No. 1:2012-CV-01969 in the United States District Court for the District of Colorado, filed Jul. 27, 2012.

Mophie's Answer, filed Oct. 15, 2012 in *Otter Products, LLC v. Mophie, LLC*, Case No. 1:2012-CV-01969 in the United States District Court for the District of Colorado.

Otter's Motion for Summary Judgment of Infringement and Declaration in Support Thereof, filed May 13, 2013 in *Otter Products, LLC v. Mophie, LLC*, Case No. 1:2012-CV-01969 in the United States District Court for the District of Colorado.

Mophie's Opposition to Motion for Summary Judgment of Infringement, filed Jun. 6, 2013 in *Otter Products, LLC v. Mophie, LLC*, Case No. 1:2012-CV-01969 in the United States District Court for the District of Colorado.

Mophie's Claim Construction Brief, filed Jun. 14, 2013 in *Otter Products, LLC v. Mophie, LLC*, Case No. 1:2012-CV-01969 in the United States District Court for the District of Colorado.

Otter's Claim Construction Brief, filed Jun. 14, 2013 in *Otter Products, LLC v. Mophie, LLC*, Case No. 1:2012-CV-01969 in the United States District Court for the District of Colorado.

Mophie's Brief in Response to Otter's Claim Construction Brief, filed Jun. 24, 2013 in *Otter Products, LLC v. Mophie, LLC*, Case No. 1:2012-CV-01969 in the United States District Court for the District of Colorado.

Otter's Rebuttal Brief for Construction of Claim Terms and Declaration, filed Jun. 24, 2013 in *Otter Products, LLC v. Mophie, LLC*, Case No. 1:2012-CV-01969 in the United States District Court for the District of Colorado.

Otter's Reply in Support of Motion for Summary Judgment of Infringement, filed Jun. 24, 2013 in *Otter Products, LLC v. Mophie, LLC*, Case No. 1:2012-CV-01969 in the United States District Court for the District of Colorado.

Joint Claim Construction Statement, filed Jun. 26, 2013 in *Otter Products, LLC v. Mophie, LLC*, Case No. 1:2012-CV-01969 in the United States District Court for the District of Colorado.

*Incase Designs, Inc. v. Mophie, Inc.*, Case No. 3:2013-CV-00602 in the United States District Court for the Northern District of California, filed Feb. 12, 2013.

Mophie's Amended Answer and Counterclaims, filed May 8, 2013 in *Incase Designs, Inc. v. Mophie, Inc.*, Case No. 3:2013-CV-00602 in the United States District Court for the Northern District of California.

Mophie's Opposition to Motion to Strike Amended Affirmative Defenses, Filed Jun. 12, 2013 in *Incase Designs, Inc. v. Mophie, Inc.*, Case No. 3:2013-CV-00602 in the United States District Court for the Northern District of California.

Mophie's Reply in Support of Motion to Stay and Supporting Declaration, filed Sep. 3, 2013 in *Incase Designs, Inc. v. Mophie, Inc.*, Case No. 3:2013-CV-00602 in the United States District Court for the Northern District of California.

*Incase Designs, Inc. v. Mophie, Inc.*, Case No. 3:2013-CV-03356 in the United States District Court for the Northern District of California, filed Jul. 18, 2013.

*Incase Designs, Corp. v. Mophie, Inc.*, Case No. 3:2013-CV-04314 in the United States District Court for the Northern District of California, filed Sep. 18, 2013.

Mophie Motion 1—To Be Accorded Benefit, filed Nov. 20, 2013 in Patent Interference No. 105,946(RES).

Declaration of John Feland, Ph.D, In Support of Mophie Motion 1 to Be Accorded Benefit, dated Nov. 20, 2013, in Patent Interference No. 105,946(RES).

Mophie Motion 2—For Judgment that Incase's Involved Claims Are Unpatentable, filed Nov. 20, 2013 in Patent Interference No. 105,946(RES).

Declaration of John Feland, Ph.D, In Support of Mophie Motion 2 for Judgment That Incase's Involved Claims Are Unpatentable, dated Nov. 20, 2013, in Patent Interference No. 105,946(RES).

Incise Motion 1—Motion for Benefit, filed Nov. 20, 2013 in Patent Interference No. 105,946(RES).

Incise Motion 2—Motion to Undesignate Claims, filed Nov. 20, 2013 in Patent Interference No. 105,946(RES).

Incise Motion 3—Motion for Judgment Based on Lack of Written Description, filed Nov. 20, 2013 in Patent Interference No. 105,946(RES).

Incise Motion 4—Motion for Unpatentability of Mophie Claims, filed Nov. 20, 2013 in Patent Interference No. 105,946(RES).

Declaration of Andrew Wolfe, filed Nov. 20, 2013 in Patent Interference No. 105,946(RES).

Declaration of Thomas Overthun, filed Nov. 20, 2013 in Patent Interference No. 105,946(RES).

Declaration of Gabriel Dan, filed Nov. 20, 2013 in Patent Interference No. 105,946(RES).

Mophie's Third Amended Complaint, filed Jun. 27, 2014, in *Mophie, Inc. v. Source Vista*, Case No. 8:13-CV-01321 in the United States District Court for the Central District of California.

U.S. Appl. No. 14/187,046, filed Feb. 21, 2014, To et al.

U.S. Appl. No. 14/205,024, filed Mar. 11, 2014, Huang et al.

U.S. Appl. No. 14/205,167, filed Mar. 11, 2014, Huang et al.

U.S. Appl. No. 29/427,724, filed Jul. 20, 2012, Brand et al.

U.S. Appl. No. 29/382,515, filed Jan. 4, 2011, Gallouzi et al.

U.S. Appl. No. 29/423,032, filed May 25, 2012, Hasbrook et al.

U.S. Appl. No. 29/423,026, filed May 25, 2012, Hasbrook et al.

U.S. Appl. No. 29/433,665, filed Oct. 3, 2012, Namminga et al.

U.S. Appl. No. 29/464,620, filed Aug. 19, 2013, Tsai.

U.S. Appl. No. 29/438,697, filed Nov. 30, 2012, Namminga et al.

U.S. Appl. No. 29/451,703, filed Apr. 6, 2013, Tsai et al.

U.S. Appl. No. 29/435,908, filed Oct. 3, 2012, To et al.

U.S. Appl. No. 29/435,907, filed Oct. 30, 2012, To et al.

U.S. Appl. No. 29/438,877, filed Dec. 4, 2012, To et al.

U.S. Appl. No. 29/440,062, filed Dec. 18, 2012, To et al.

U.S. Appl. No. 29/478,391, filed Jan. 3, 2014, Namminga et al.



(56)

## References Cited

## OTHER PUBLICATIONS

U.S. Appl. No. 29/478,390, filed Jan. 3, 2014, Dang et al.  
 U.S. Appl. No. 29/478,383, filed Jan. 3, 2014, Dang et al.  
 U.S. Appl. No. 29/478,388, filed Jan. 3, 2014.  
 U.S. Appl. No. 14/020,710, filed Nov. 6, 2013, Diebel et al.  
 International Search Report and Written Opinion of the International Searching Authority for PCT/US2011/037244, dated Jul. 19, 2011.  
 International Preliminary Report on Patentability for PCT/US2011/037244, dated Nov. 29, 2012.  
 International Search Report and Written Opinion of the International Searching Authority for PCT/US2011/037249, dated Jul. 13, 2011.  
 International Preliminary Report on Patentability for PCT/US2011/037249, dated Nov. 29, 2012.  
 International Search Report and Written Opinion of the International Searching Authority for PCT/US2011/037254, dated Jul. 13, 2011.  
 International Preliminary Report on Patentability for PCT/US2011/037254, dated Nov. 29, 2012.  
 International Search Report and Written Opinion of the International Searching Authority for PCT/US2011/037257, dated Sep. 22, 2011.  
 International Preliminary Report on Patentability for PCT/US2011/037257, dated Nov. 29, 2012.  
 International Search Report and Written Opinion of the International Searching Authority for PCT/US2012/041768, dated Feb. 27, 2013.  
 International Preliminary Report on Patentability for PCT/US2012/041768, dated Dec. 27, 2013.  
 International Search Report and Written Opinion of the International Searching Authority for PCT/US2013/057276, dated Dec. 10, 2013.  
 Mophie Pulse for iPod Touch 4G, [http://www.mophie.com/pulse-iPod-Touch-4th-Gen-vibrating-gaming-case-p/2015\\_PUL-T4-GRY.htm](http://www.mophie.com/pulse-iPod-Touch-4th-Gen-vibrating-gaming-case-p/2015_PUL-T4-GRY.htm).  
 “Sandberg BatteryCase for iPhone 4/4S delivers more band for your buck,” dated Mar. 15, 2012, <http://www.gizmag.com/sanberg-battery-case-iphone/21839>.  
 Shawn Brown, “Incase Power Slider battery doubles as a case,” dated Nov. 19, 2008, <http://www.iphonebuzz.com/incase-power-slider-battery-doubles-as-a-case-195224.php>.  
 Nick Guy, “Incipio offGRID Battery Case for iPhone 5/5s,” dated Oct. 9, 2013, <http://www.ilounge.com/index.php/reviews/entry/incipio-offgrid-battery-case-for-iphone5-5s/>.  
 Jeremy Horwitz, “Mophie Juice Pack Plus for iPhone 5,” dated May 21, 2013, <http://www.ilounge.com/index.php/reviews/entry/mophie-juice-pack-plus-for-iphone-5/>.  
 Nick Guy, “RND Power Solutions Sync & Charge Dock with Lightning Connector,” dated Nov. 18, 2013, <http://www.ilounge.com/index.php/reviews/entry/tylt-energi-sl>.  
 Jeremy Horwitz, “Kensington Mini Battery Pack and Charger for iPhone and iPod,” dated May 16, 2008, <http://www.ilounge.com/index.php/reviews/entry/kensington-mini-battery-pack-and-charger-for-iphone-and-ipod/>.  
 Kensington Mini Battery Pack and Charger for iPhone and iPod, dated Sep. 30, 2008, 1 Page.  
 Sven Rafferty, “Mybat External Battery for iPhone and iPod,” dated May 18, 2008, <http://svenontech.com/reviews/?p=74>.  
 Dave Rees, “Richard Solo Backup Battery for iPhone / iPod Review,” dated Jun. 16, 2008, [http://the-gadgeteer.com/2008/06/16/richard\\_solo\\_backup\\_battery\\_for\\_iphone\\_ipod/](http://the-gadgeteer.com/2008/06/16/richard_solo_backup_battery_for_iphone_ipod/).  
 Devin Coldewey, “Combination iPhone battery pack and flash from FastMac,” dated Nov. 4, 2008, <http://crunchgear.com/2008/11/04/combination-iphone-battery-pack-and-flash-from-fastmac/>.  
 “Cheap DIY iPhone External Battery,” dated Jul. 22, 2008, <http://fastdad.wordpress.com/2008/07/22/cheap-diy-iphone-external-battery/>.  
 Jeremy Horwitz, “iLuv i603/i604 Rechargeable Lithium Polymer Batteries with Silicone Skin,” dated Jun. 27, 2006, <http://www.ilounge.com/index.php/reviews/entry/iluv-i603-rechargeable-lithium-polymer-battery-with-silicone-skin/>.

Julie Strietelmeier, “Seidio INNODock Desktop Cradle for Treo 650,” dated Jul. 28, 2005, [http://the-gadgeteer.com/2005/07/28/seidio\\_innodock\\_desktop\\_cradle\\_for\\_treo\\_650/](http://the-gadgeteer.com/2005/07/28/seidio_innodock_desktop_cradle_for_treo_650/).

Brian Nyhuis, “Mophie Juice Pack Battery Case for Samsung Galaxy S III Review,” dated Nov. 28, 2012, [http://www.legitreviews.com/mophie-juice-pack-battery-case-for-samsung-galaxy-s-iii-review\\_2084](http://www.legitreviews.com/mophie-juice-pack-battery-case-for-samsung-galaxy-s-iii-review_2084).

“PowerSkin Samsung Galaxy S3 Case with Backup Battery,” dated Aug. 19, 2012, <http://gadgets.in.com/powerskin-samsung-galaxy-s3-case-with-backup-battery.htm>.

“iPhone 4 Case with Battery Pack,” dated Sep. 28, 2010, <http://gadgets.in.com/iphone-4-case-with-battery-pack.htm>.

Jonathan Pena, “iPhone 5 Cases, Round 3,” dated Sep. 16, 2012, <http://www.technologytell.com/apple/103833/iphone-5-cases-round-3/>.

Jeremy Horwitz, “Mophie Juice Pack for iPhone,” dated Dec. 7, 2007, <http://www.ilounge.com/index.php/reviews/entry/mophie-juice-pack-for-iphone/>.

Dr. Macenstein, “Review: Mophie Juice Pack for iPhone,” dated Apr. 27, 2008, <http://macenstein.com/default/archives/1314>.

Wayne Schulz, “iPhone Extended Battery Review—Mophie Juice Pack,” dated Jun. 17, 2008, <http://www.geardiary.com/2008/06/17/iphone-extended-battery-review-mophie-juicepack/>.

Mophie Juice Pack iPhone 1G Product—Figures 1-7—Retrieved from <http://www.mophie.com/products/juice-pack> on Apr. 10, 2009.

Mophie Juice Pack iPhone 1G Product—Figure 8—Retrieved from <http://www.mophie.com/pages/information/> on Apr. 10, 2009.

Mophie Juice Pack iPhone 1G Product—Figures 9-14—Retrieved from [http://www.mophie.com/blogs/Juice\\_Pack\\_FAQ](http://www.mophie.com/blogs/Juice_Pack_FAQ) on Apr. 10, 2009.

Mophie Juice Pack iPhone 1G Product—Figures 15-16—Retrieved from [http://mophie.com/blogs/Juice\\_Pack\\_FAQ](http://mophie.com/blogs/Juice_Pack_FAQ) on Apr. 20, 2009. Figure 16 is dated May 1, 2008.

Tomas Ratas, “Mophie Juice Pack—iPhone 3G,” dated Dec. 9, 2008, <http://www.testfreaks.com/blog/review/mophie-juice-pack-iphone-3g/>.

Dr. Macenstein, “Review: Mophie Juice Pack 3G for iPhone,” dated Nov. 27, 2008, <http://macenstein.com/default/archives/1820>.

Ewdison Then, “Mophie Juice Pack iPhone 3G Review,” dated Nov. 12, 2008, <http://www.slashgear.com/mophie-juice-pack-iphone-3g-review-1222446/>.

Mophie Juice Pack iPhone 3G Product—Figures 1-8—Retrieved from <http://www.mophie.com/products/juice-pack-iphone-3g> on Apr. 10, 2009.

Mophie Juice Pack iPhone 3G Product—Figures 9-10—Retrieved from <http://www.mophie.com/pages/iphone-3g-details> on Apr. 10, 2009.

Mophie Juice Pack iPhone 3G Product—Figures 11-14—Retrieved from [http://mophie.com/blogs/Juice\\_Pack\\_3G\\_FAQ](http://mophie.com/blogs/Juice_Pack_3G_FAQ) on Apr. 10, 2009.

Mophie Juice Pack iPhone 3G Product—Figures 15-16—Retrieved from <http://mophie.com/blogs/press> on Apr. 20, 2009. Figure 15 is dated Aug. 4, 2008, and Figure 16 is dated Nov. 10, 2008, and Figure 16 is dated Nov. 10, 2008.

Mophie Juice Pack iPhone 3G User Manual—Retrieved from [http://static3.shopify.com/s/files/1/0008/4942/assets/mophie\\_juice\\_pack\\_3G\\_manual\\_rl.pdf](http://static3.shopify.com/s/files/1/0008/4942/assets/mophie_juice_pack_3G_manual_rl.pdf) on Apr. 10, 2009.

International Search Report and Written Opinion of the International Searching Authority for PCT/US2014/017781, dated Jun. 8, 2014.

Mophie’s First Amended Complaint, filed Jun. 25, 2014, in *Mophie, Inc. v. UNU Electronics Inc.*, Case No. 8:13-CV-01705 in the United States District Court for the Central District of California.

UNU’s Answer and Counterclaims, filed Jul. 10, 2014, in *Mophie, Inc. v. UNU Electronics Inc.*, Case No. 8:13-CV-01705 in the United States District Court for the Central District of California.

\* cited by examiner



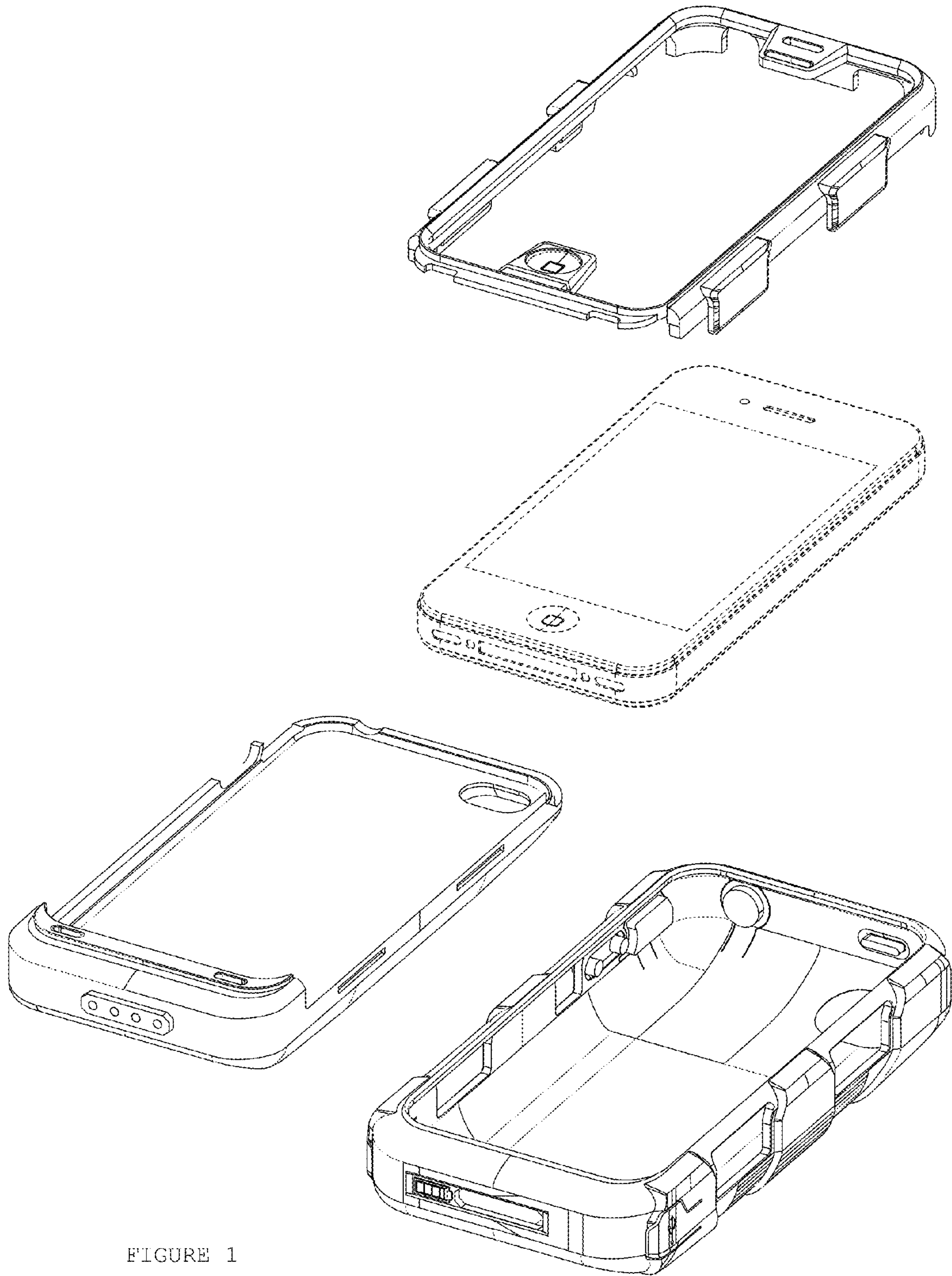


FIGURE 1

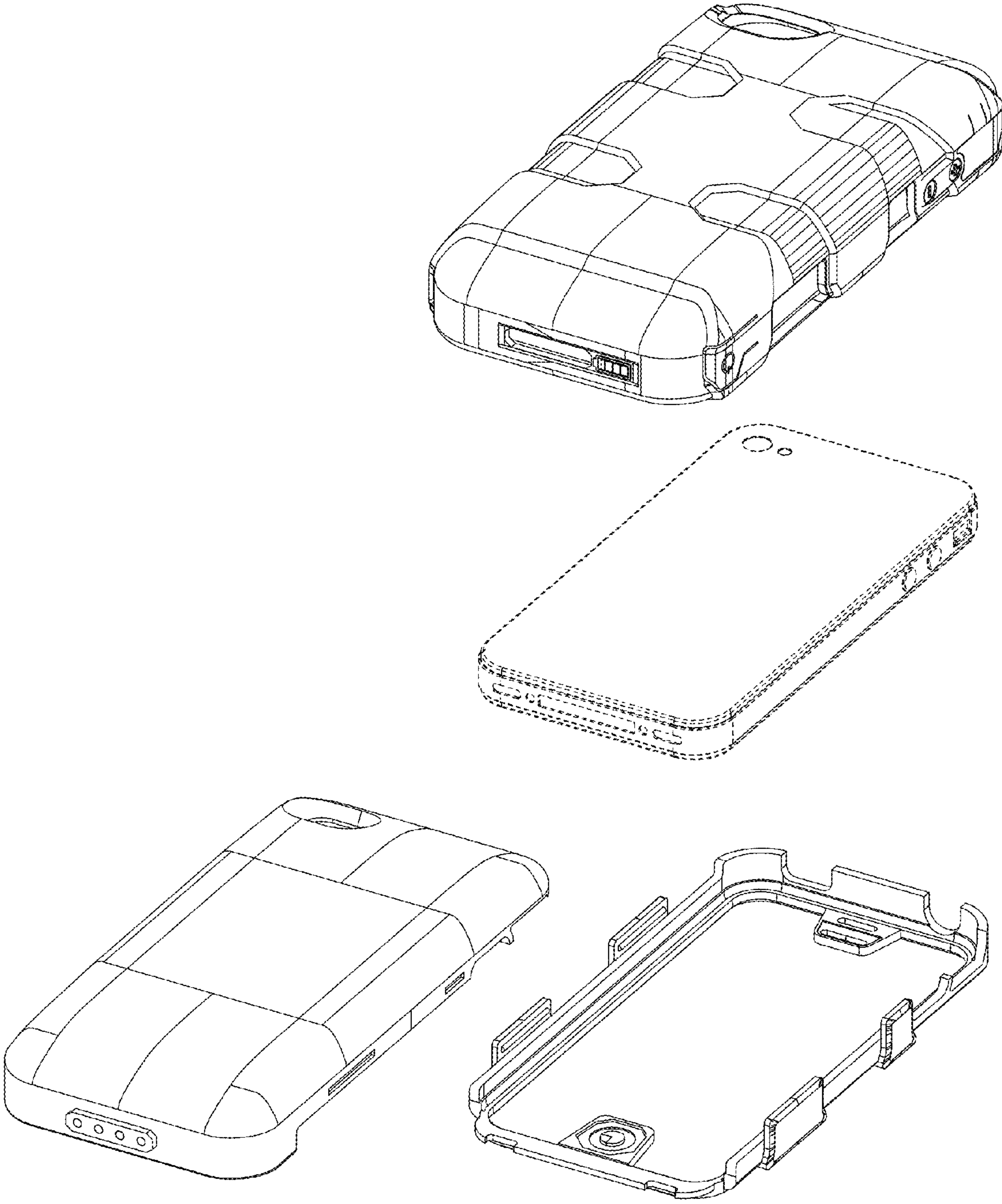


FIGURE 2



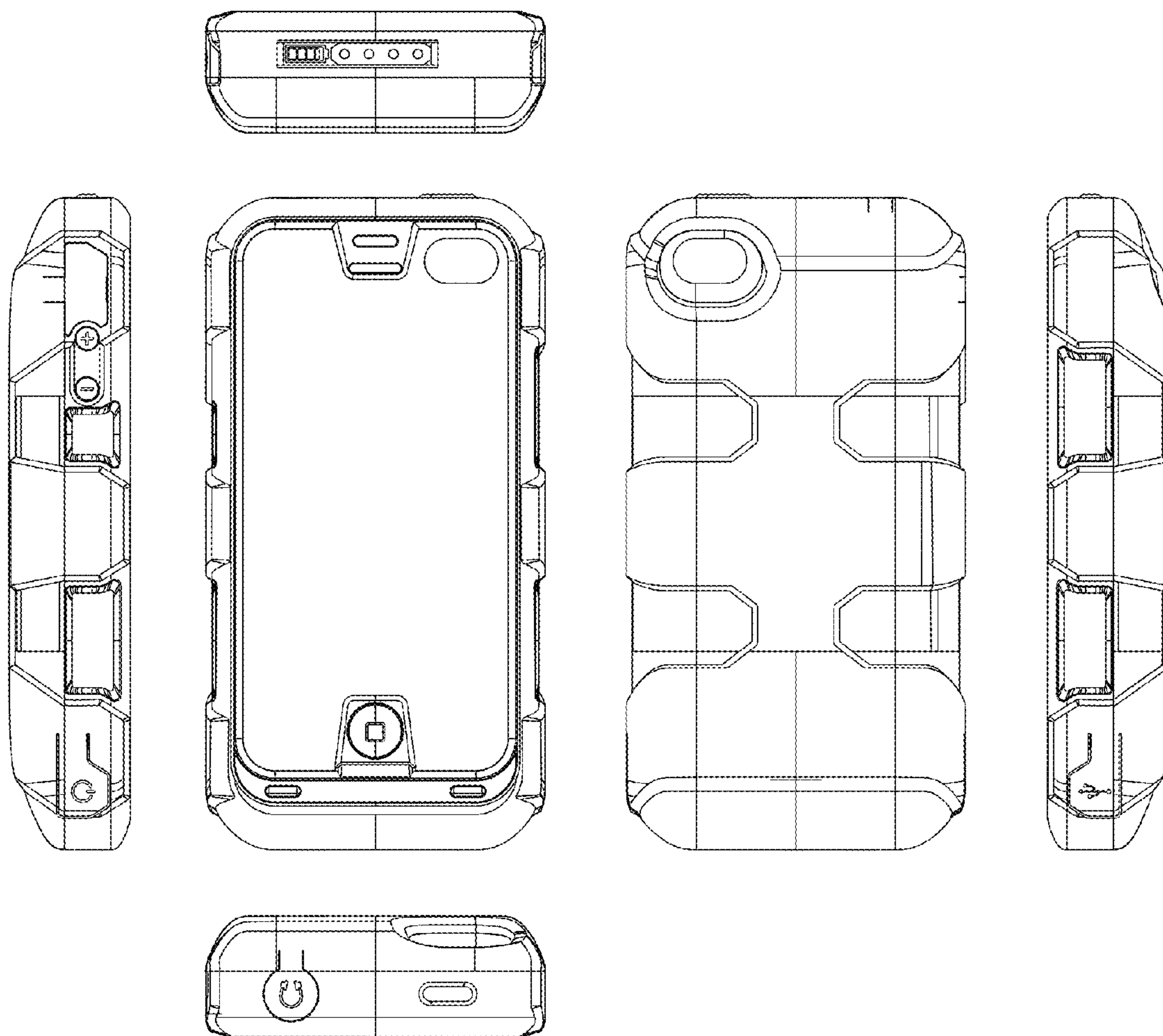


FIGURE 3



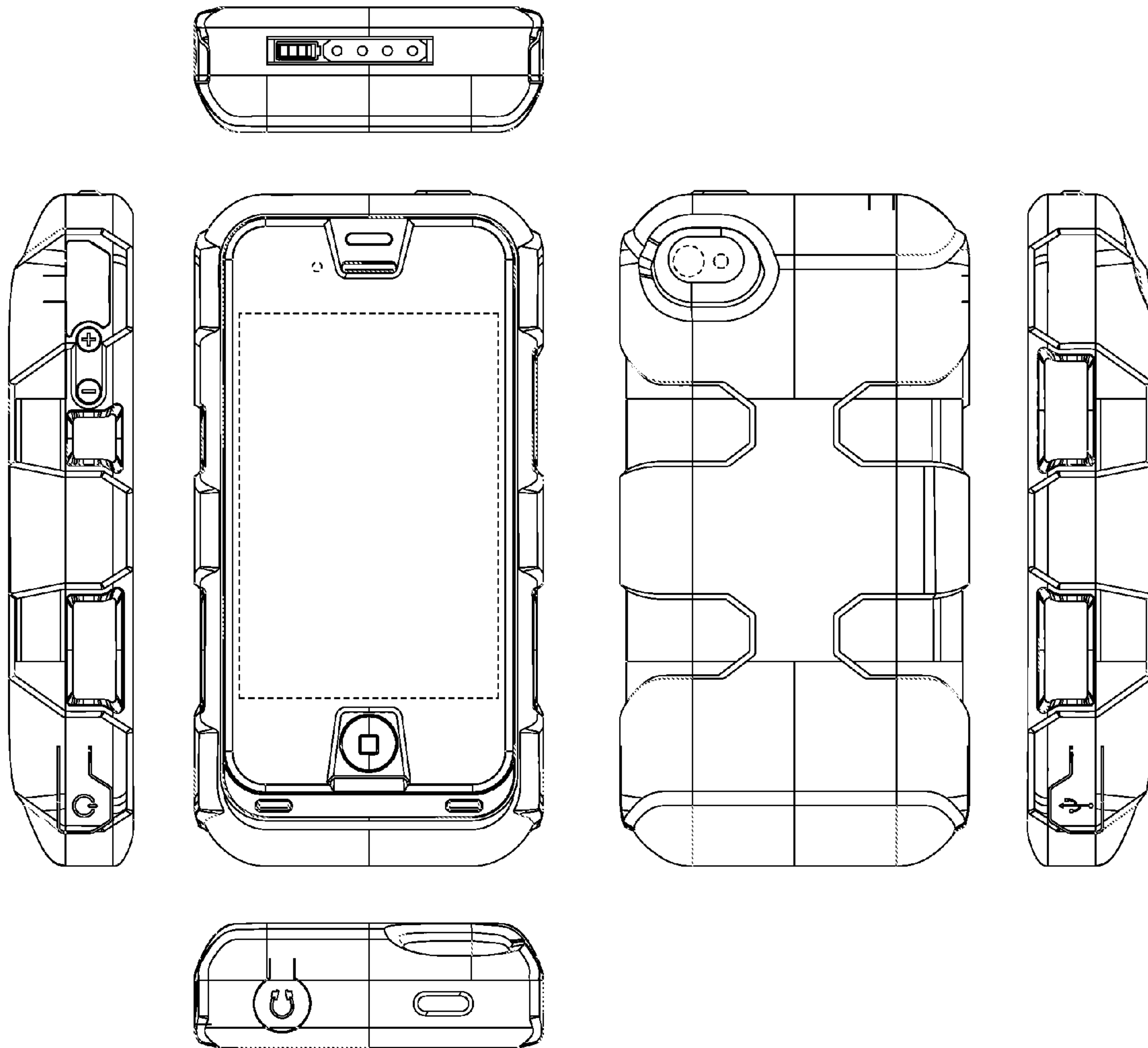


FIGURE 4