



US00D718281S

(12) **United States Design Patent**
Schmiedbauer

(10) **Patent No.:** **US D718,281 S**

(45) **Date of Patent:** **** Nov. 25, 2014**

(54) **LOUDSPEAKER**

(71) Applicant: **Harman International Industries, Incorporated**, Northridge, CA (US)

(72) Inventor: **Matthias Schmiedbauer**, Munich (DE)

(73) Assignee: **Harman International Industries, Incorporated**, Northridge, CA (US)

(**) Term: **14 Years**

(21) Appl. No.: **29/465,093**

(22) Filed: **Aug. 23, 2013**

(51) **LOC (10) Cl.** **14-03**

(52) **U.S. Cl.**
USPC **D14/216**

(58) **Field of Classification Search**
USPC D14/167, 168, 170-172, 188, 194-196,
D14/204, 207, 209.1, 210-216, 219, 221,
D14/222, 224, 496; 181/143, 144, 147, 148,
181/150, 153, 157, 198, 199; 381/300-303,
381/306, 332, 333, 336, 345, 361-364,
381/386-388; 369/6-12

See application file for complete search history.

(56) **References Cited**

U.S. PATENT DOCUMENTS

D372,916 S * 8/1996 Starck D14/195
D483,740 S * 12/2003 Yim et al. D14/216

D550,204 S * 9/2007 Kaneda D14/216
D591,267 S * 4/2009 Files D14/216
D678,248 S * 3/2013 Yu D14/216
D678,468 S * 3/2013 Hanna D23/229
D697,046 S * 1/2014 Hanna D14/204
D707,793 S * 6/2014 von der Lancken et al. D23/213

* cited by examiner

Primary Examiner — Keli L Hill

(74) *Attorney, Agent, or Firm* — Plumsea Law Group, LLC

(57) **CLAIM**

The ornamental design for a loudspeaker, as shown and described.

DESCRIPTION

FIG. 1 is a perspective view of a loudspeaker showing my new design;

FIGS. 2-7 are illustrated as if the overall conical shape is disposed with its central axis in a horizontal orientation and are described relative to this orientation;

FIG. 2 is an elevational view of the front face thereof;

FIG. 3 is a side elevational view of one side thereof;

FIG. 4 is a side elevational view of the opposite side thereof;

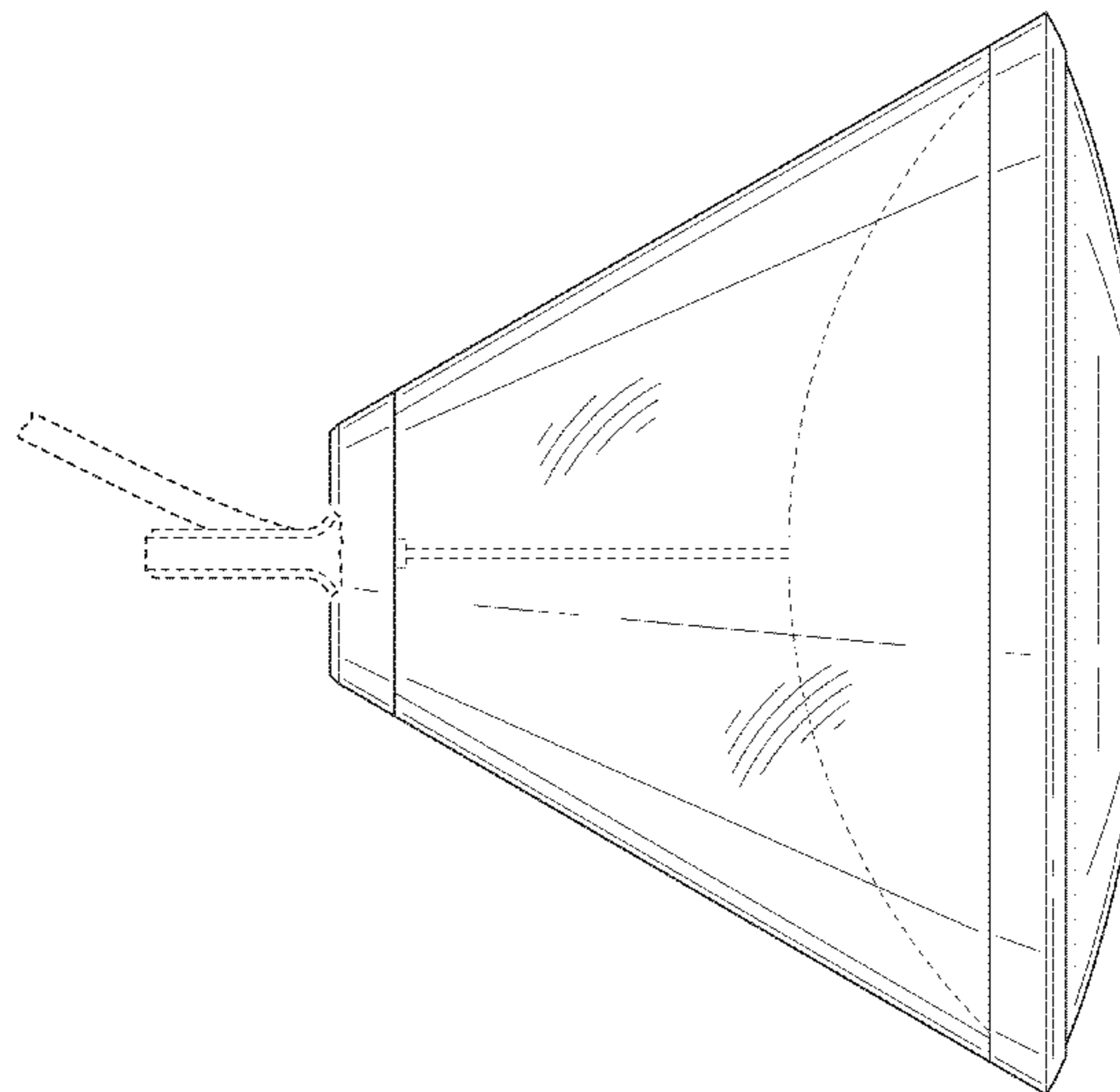
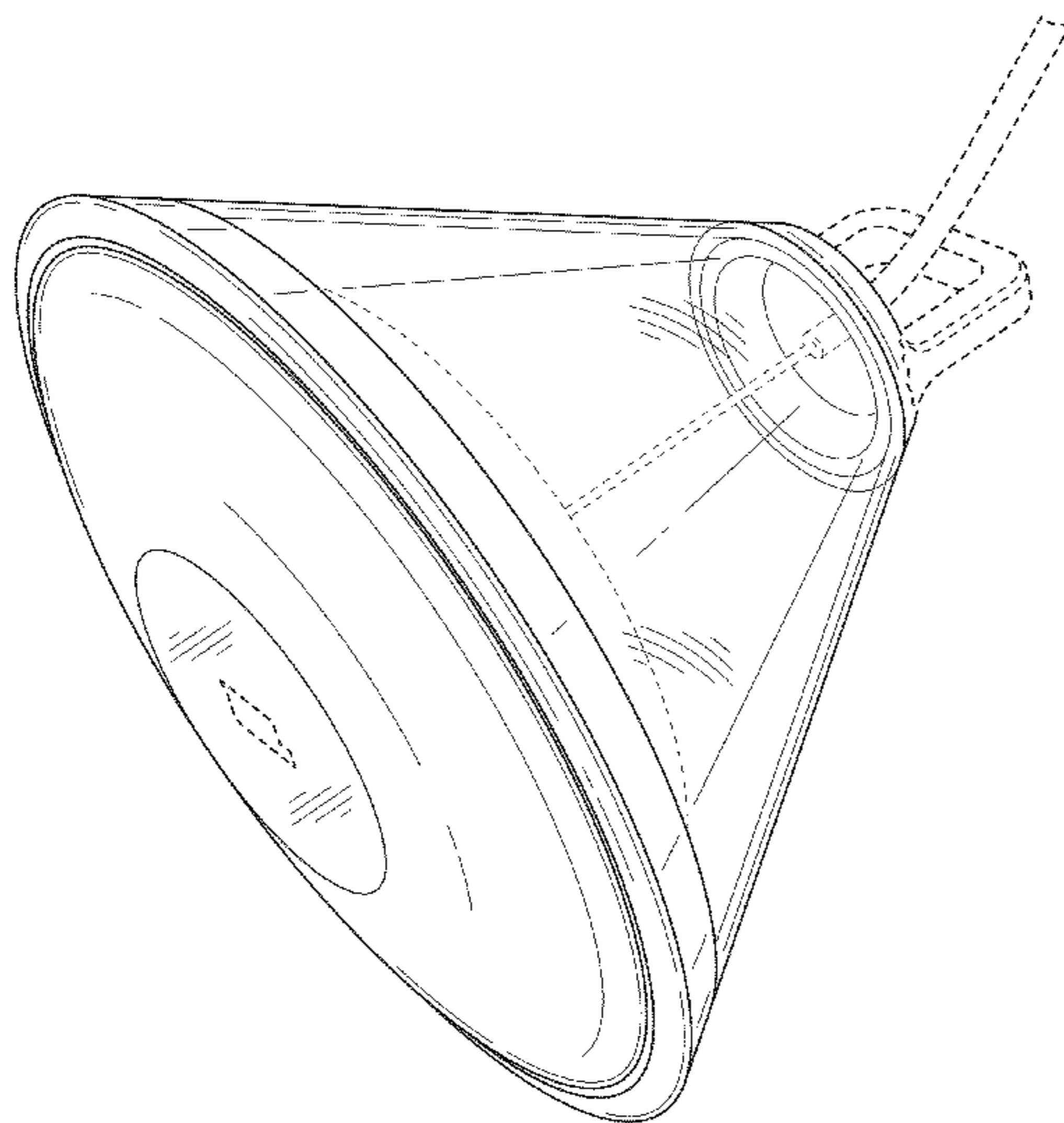
FIG. 5 is a top plan view thereof;

FIG. 6 is bottom plan view thereof; and,

FIG. 7 is a rear elevational view thereof.

The line shading on the conical body is intended to depict translucency or transparency. The broken line showings form no part of the claimed design.

1 Claim, 7 Drawing Sheets



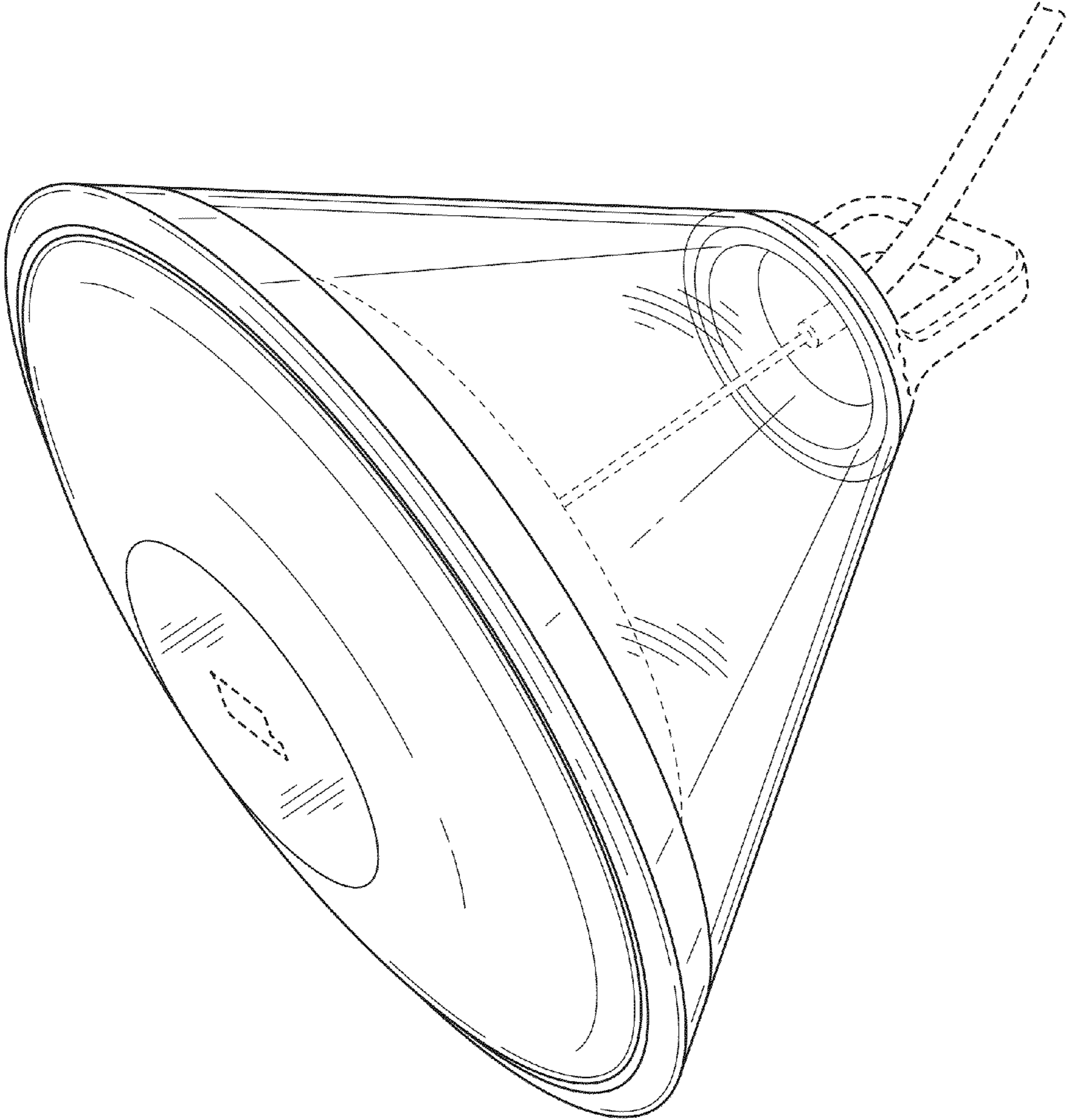


FIG. 1

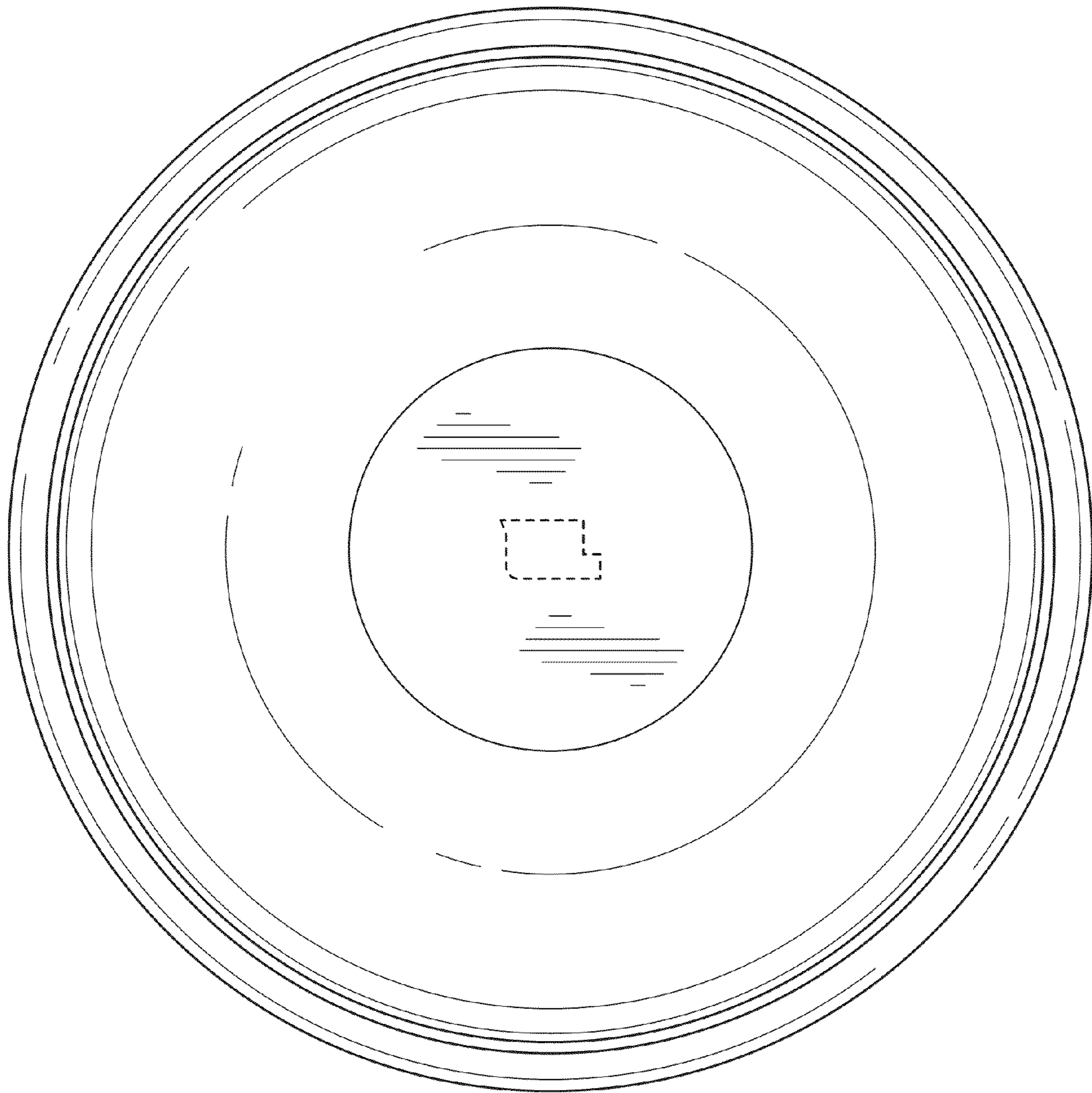


FIG. 2

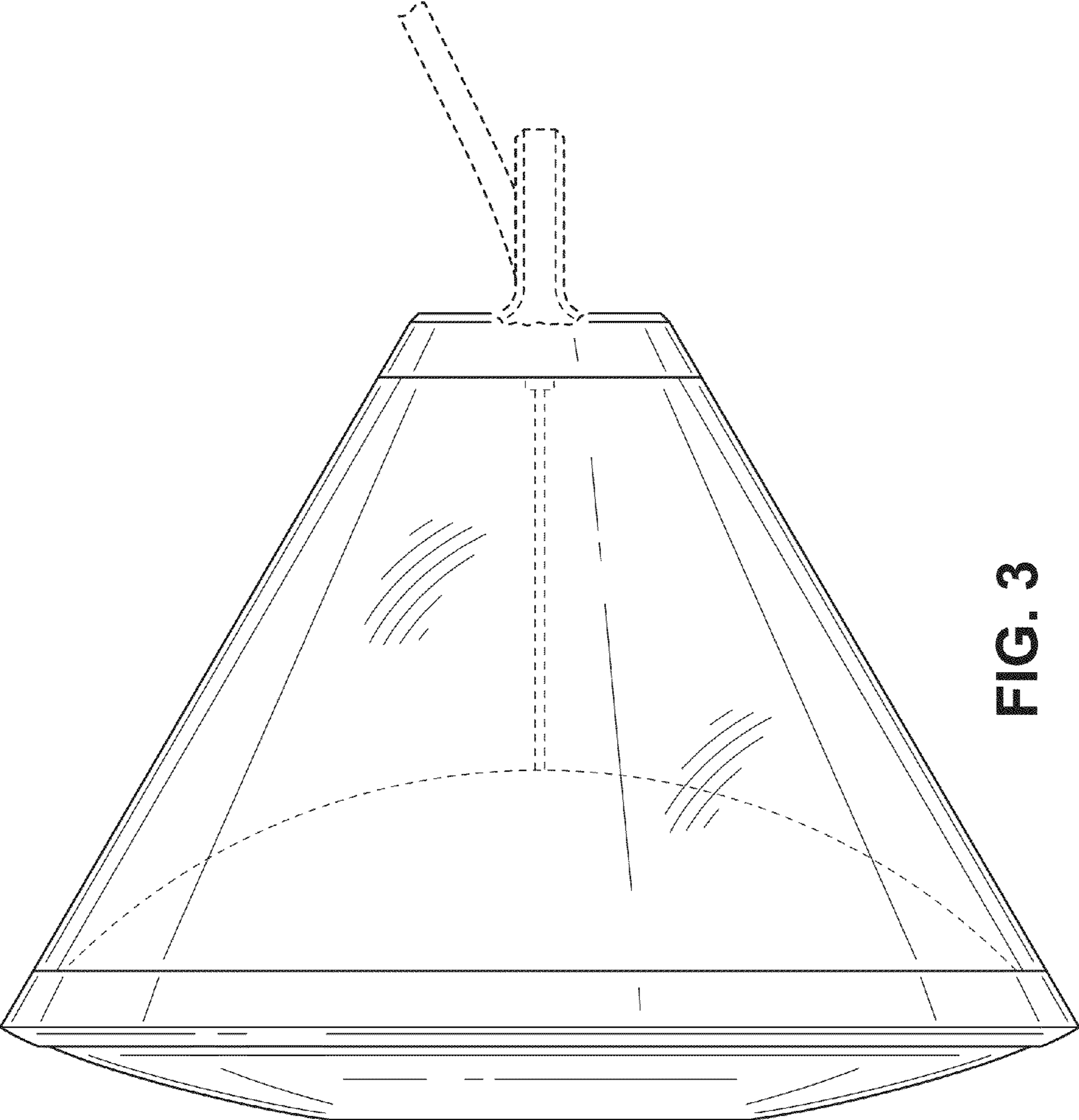


FIG. 3

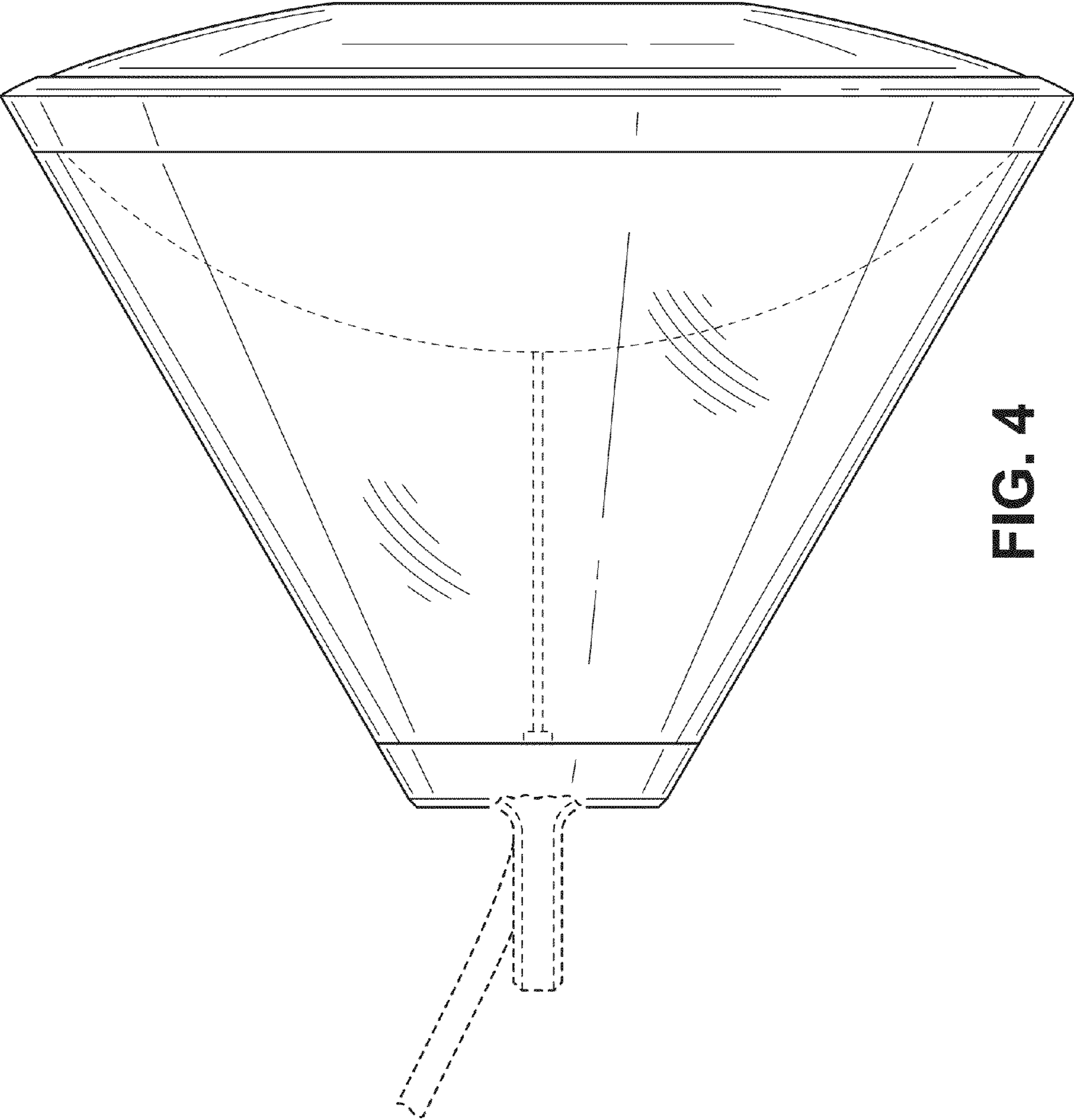


FIG. 4

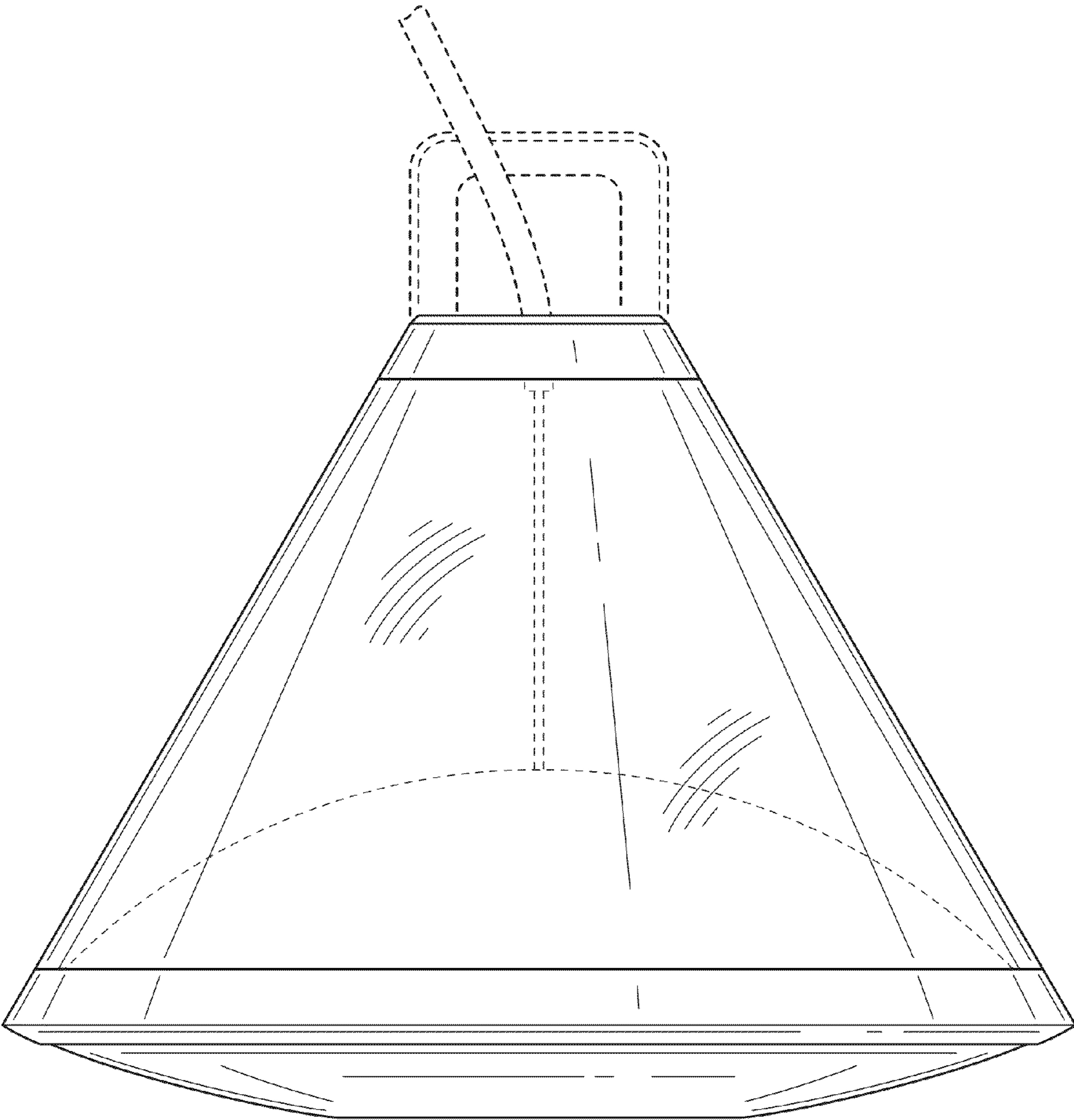


FIG. 5

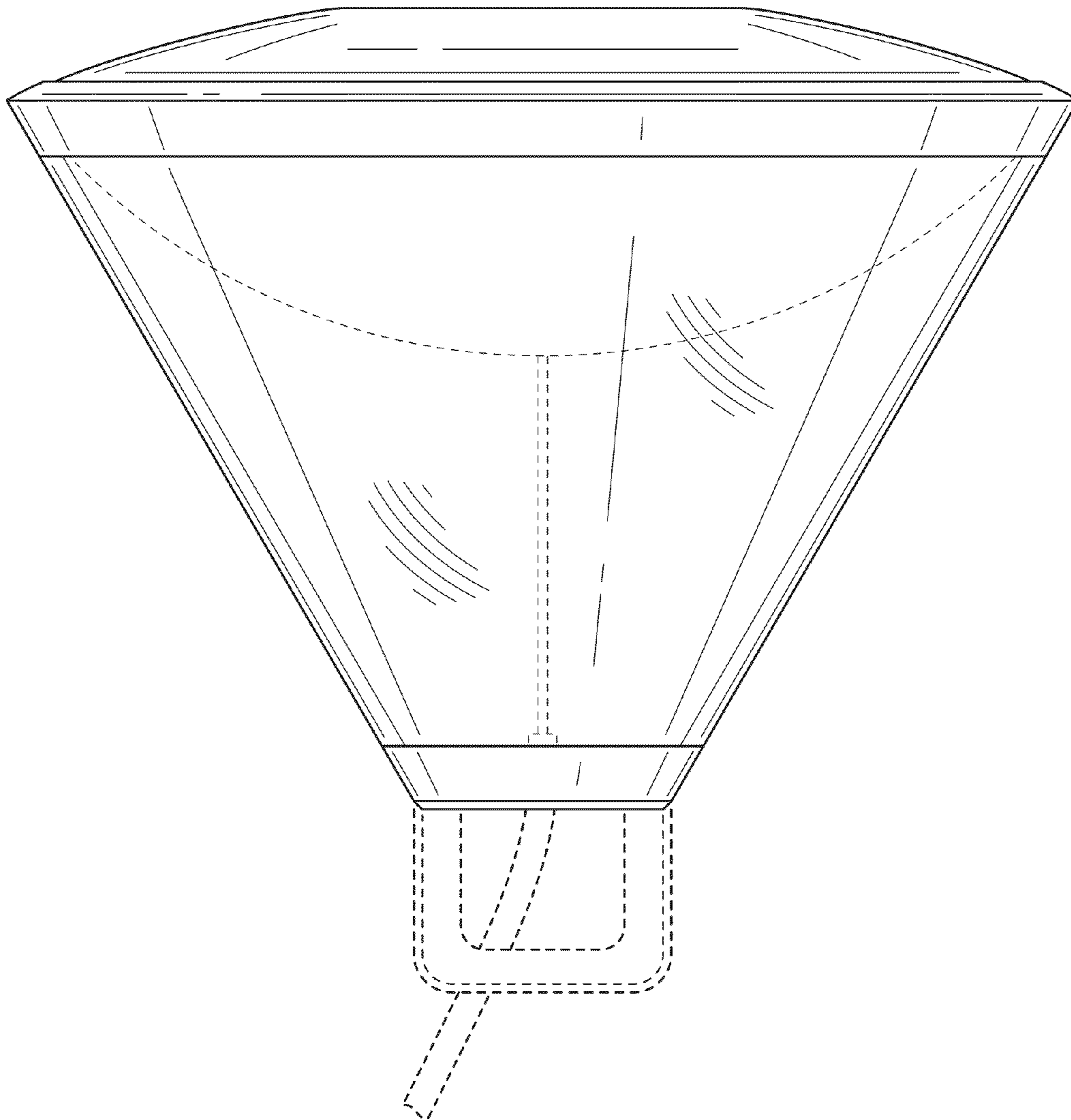


FIG. 6

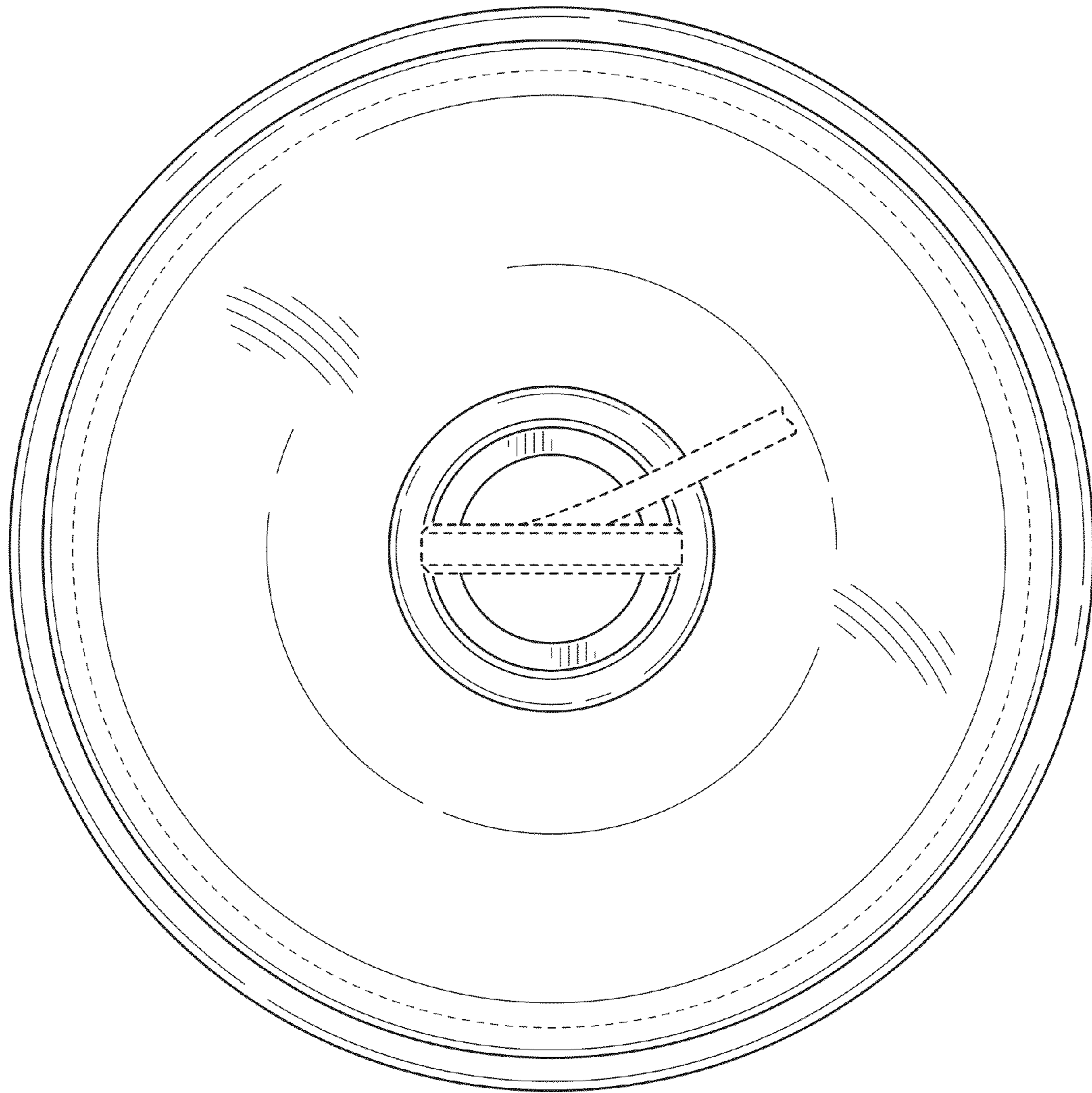


FIG. 7