



US00D718280S

(12) **United States Design Patent**
Yoon

(10) **Patent No.:** **US D718,280 S**

(45) **Date of Patent:** **** Nov. 25, 2014**

(54) **LOUDSPEAKER**

(71) Applicant: **Harman International Industries, Incorporated**, Northridge, CA (US)

(72) Inventor: **Hyungwoo Yoon**, Shenzhen (CN)

(73) Assignee: **Harman International Industries, Incorporated**, Northridge, CA (US)

(**) Term: **14 Years**

(21) Appl. No.: **29/464,966**

(22) Filed: **Aug. 22, 2013**

(51) **LOC (10) Cl.** **14-03**

(52) **U.S. Cl.**
USPC **D14/216**

(58) **Field of Classification Search**
USPC D14/167, 168, 170–172, 188, 194–196,
D14/204, 207, 209.1, 210–216, 219, 221,
D14/222, 224, 257, 258, 496; 181/143, 144,
181/147, 148, 150, 153, 157, 198, 199;
381/300–303, 306, 332, 333, 336, 345,
381/361–364, 386–388; 369/6–12
See application file for complete search history.

(56) **References Cited**

U.S. PATENT DOCUMENTS

D483,740 S	*	12/2003	Yim et al.	D14/216
D542,273 S	*	5/2007	Park et al.	D14/215
D548,224 S	*	8/2007	Taylor	D14/216
D617,314 S	*	6/2010	Zha	D14/216
D659,680 S	*	5/2012	Kim et al.	D14/216
D687,009 S	*	7/2013	Song et al.	D14/155
D690,479 S	*	9/2013	Geyer et al.	D32/25
D693,814 S	*	11/2013	Park	D14/434

* cited by examiner

Primary Examiner — Keli L Hill

(74) *Attorney, Agent, or Firm* — Plumsea Law Group, LLC

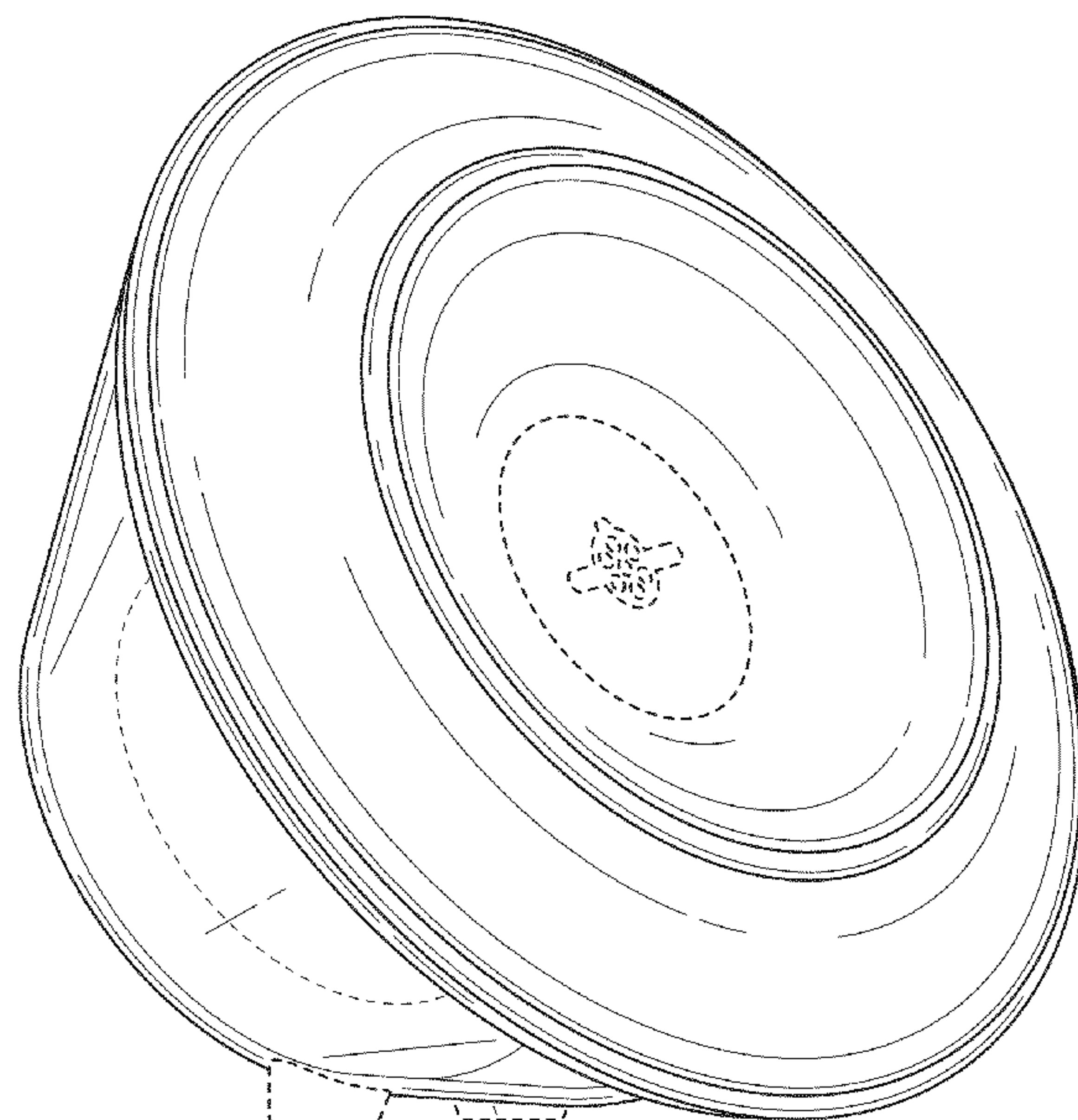
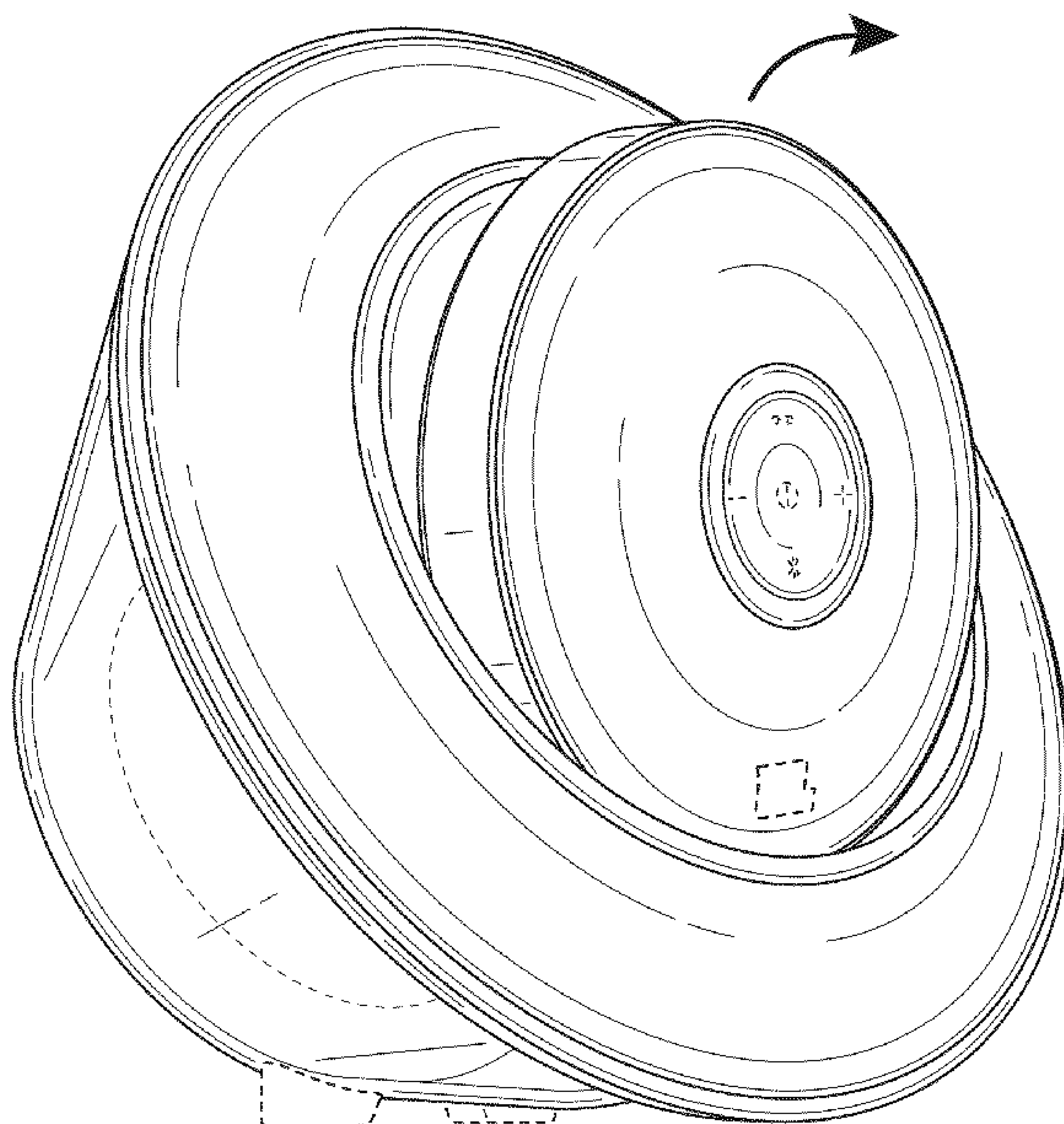
(57) **CLAIM**

The ornamental design for a loudspeaker, as shown and described.

DESCRIPTION

FIG. 1 is a perspective view of a loudspeaker showing my new design;
 FIG. 2 is a front elevational view thereof;
 FIG. 3 is a side elevational view of one side thereof, the opposite side being a mirror image thereof;
 FIG. 4 is a top plan view thereof;
 FIG. 5 is a bottom plan view thereof;
 FIG. 6 is a rear elevational view thereof;
 FIG. 7 is a perspective view thereof shown with a center portion angled relative to the base portion;
 FIG. 8 is a perspective view of the housing portion;
 FIG. 9 is a front elevational view thereof;
 FIG. 10 is a side elevational view thereof, the opposite side being a mirror image thereof;
 FIG. 11 is a top plan view thereof;
 FIG. 12 is a bottom plan view thereof;
 FIG. 13 is a rear elevational view thereof;
 FIG. 14 is a perspective view of the center portion shown in isolation;
 FIG. 15 is a top plan view thereof;
 FIG. 16 is a side elevational view thereof, the opposite side being a mirror image thereof;
 FIG. 17 is a front elevational view thereof; and,
 FIG. 18 is a bottom plan view thereof.
 The broken lines form no part of the claimed design.

1 Claim, 18 Drawing Sheets



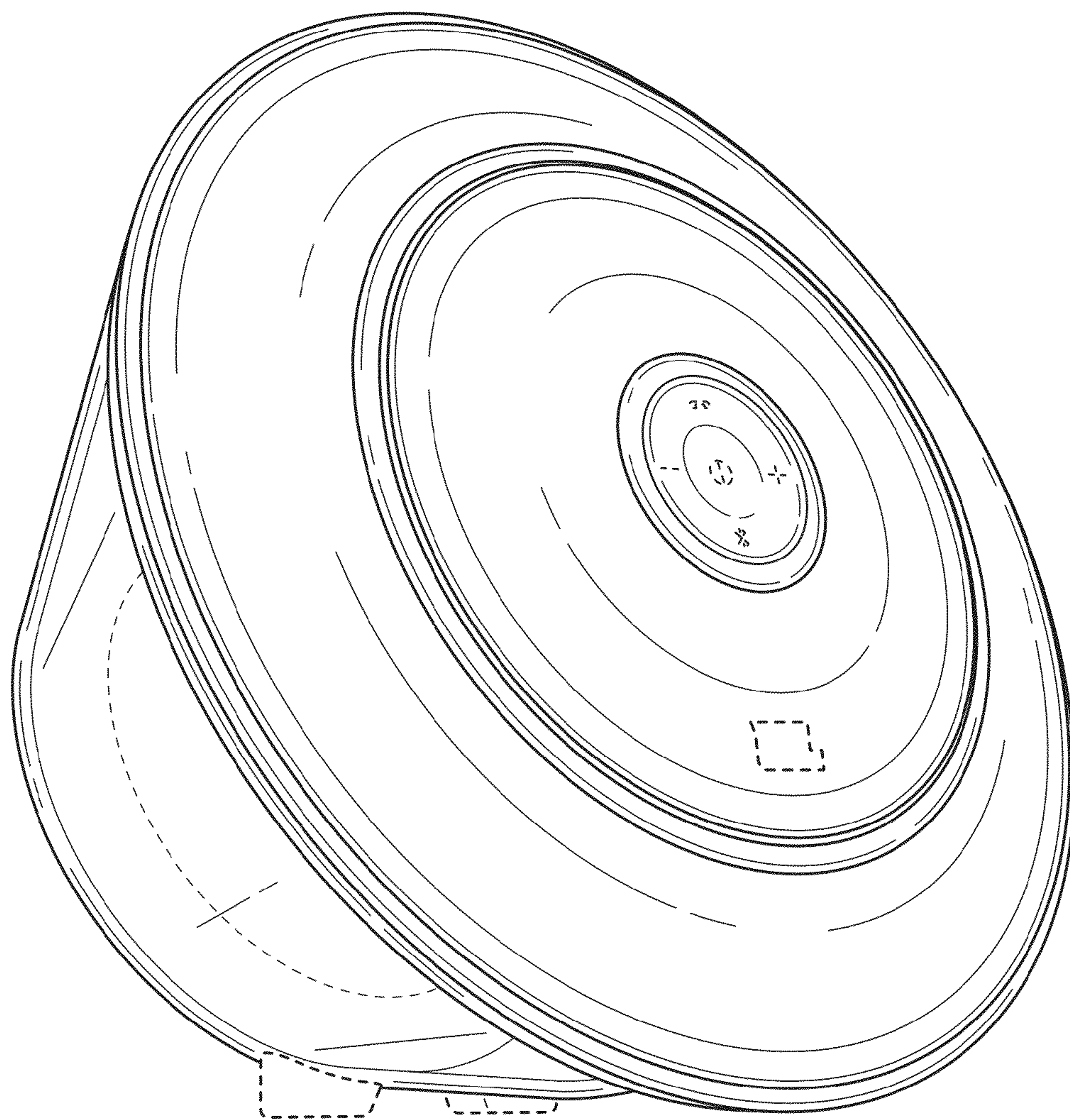


FIG. 1

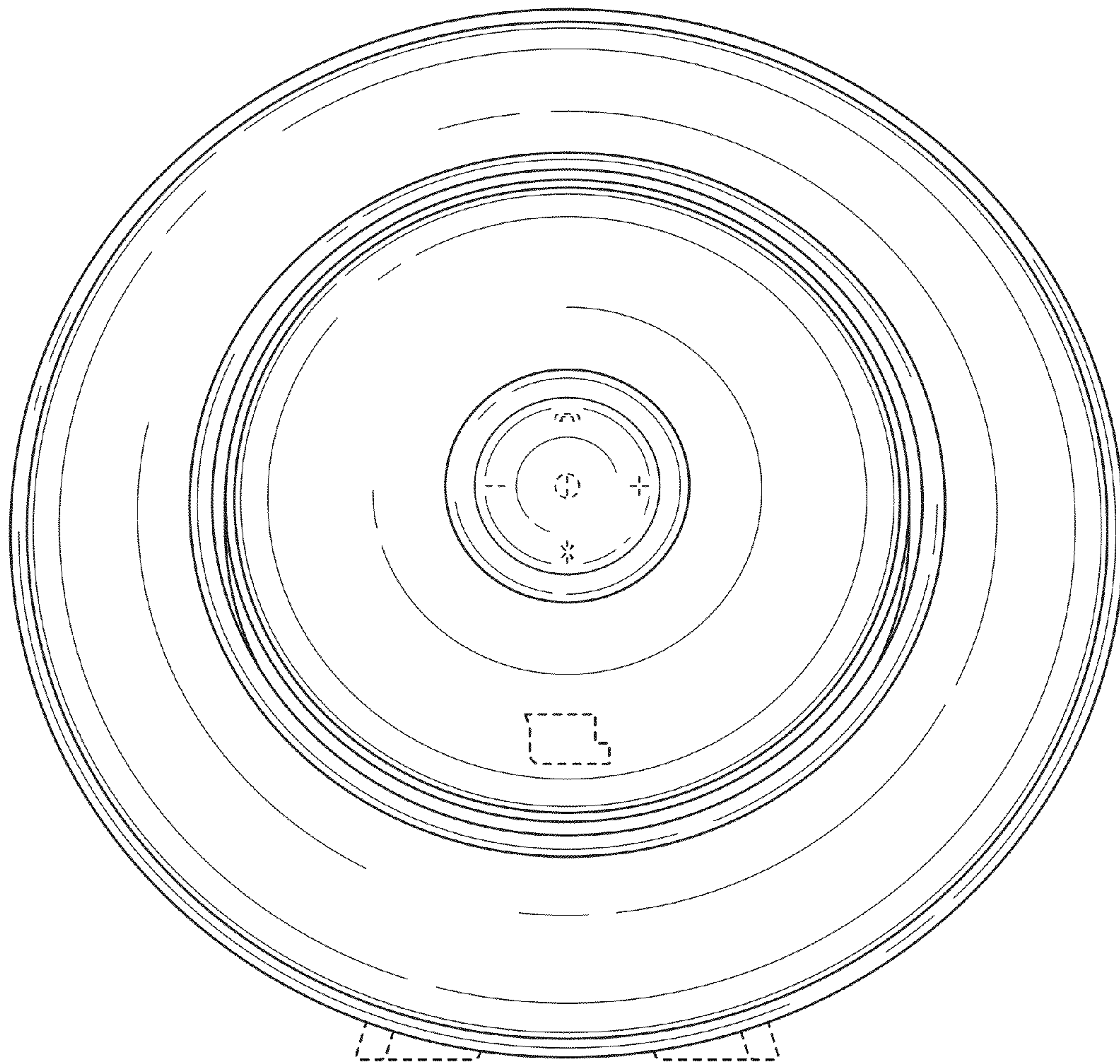


FIG. 2

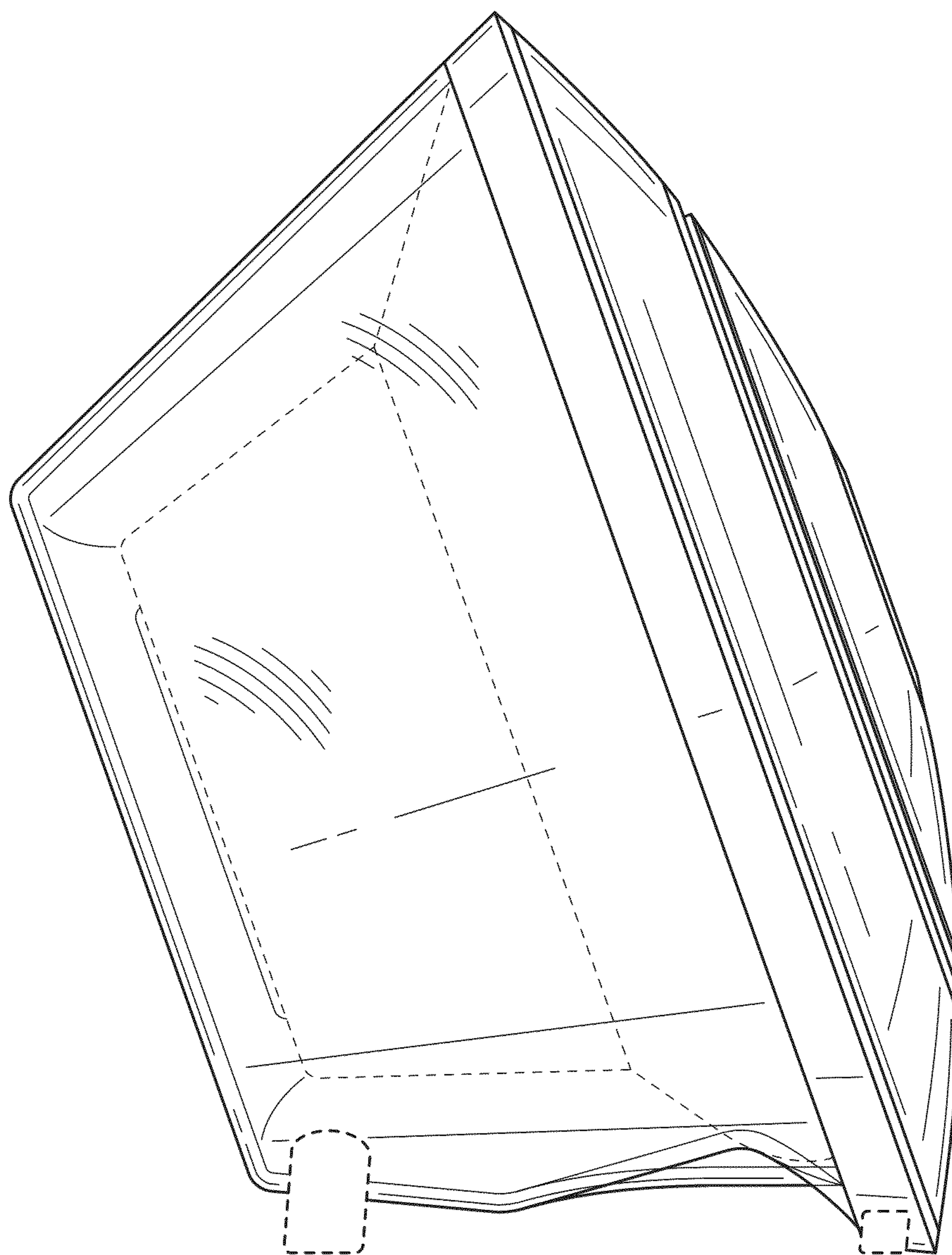


FIG. 3

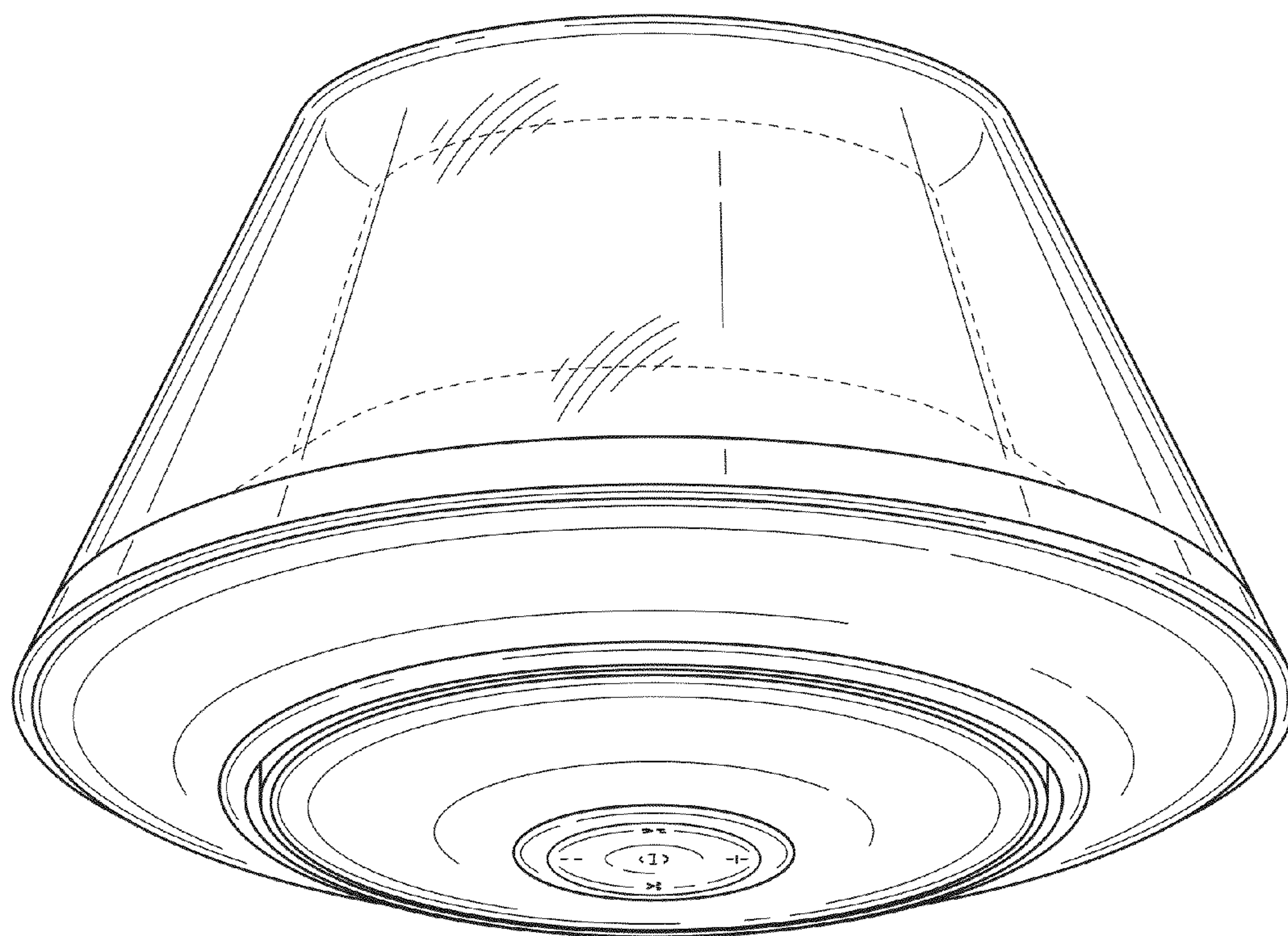


FIG. 4

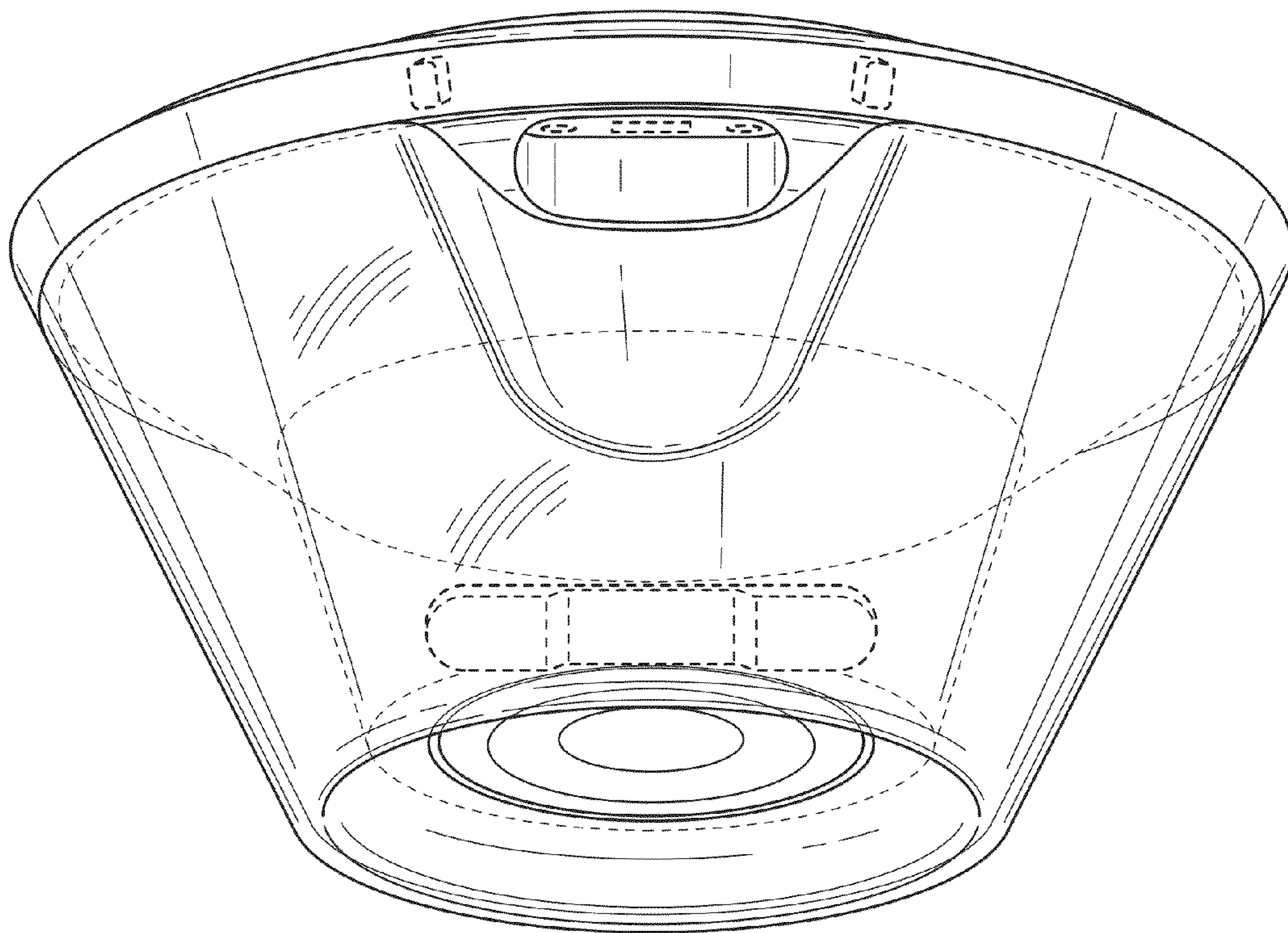


FIG. 5

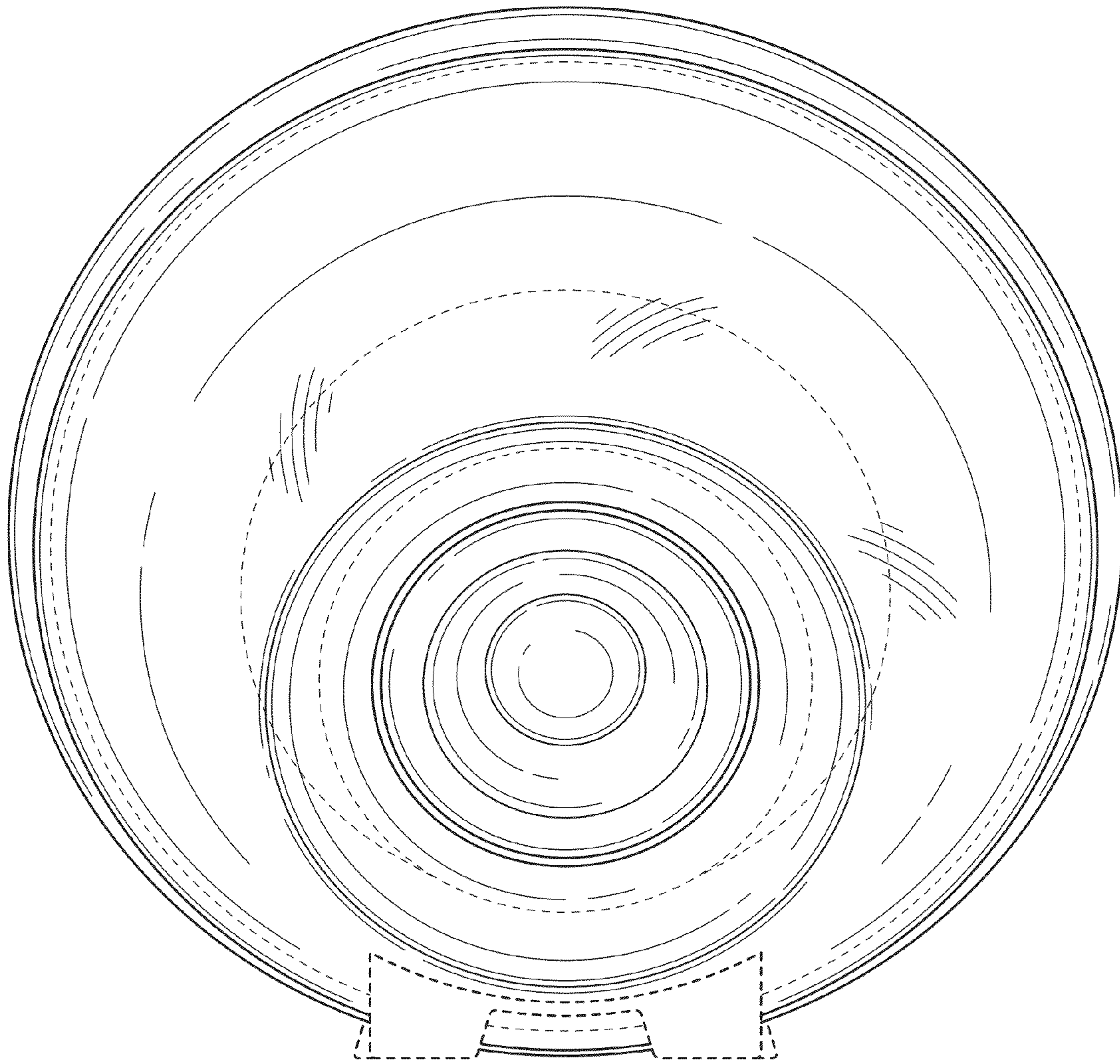


FIG. 6

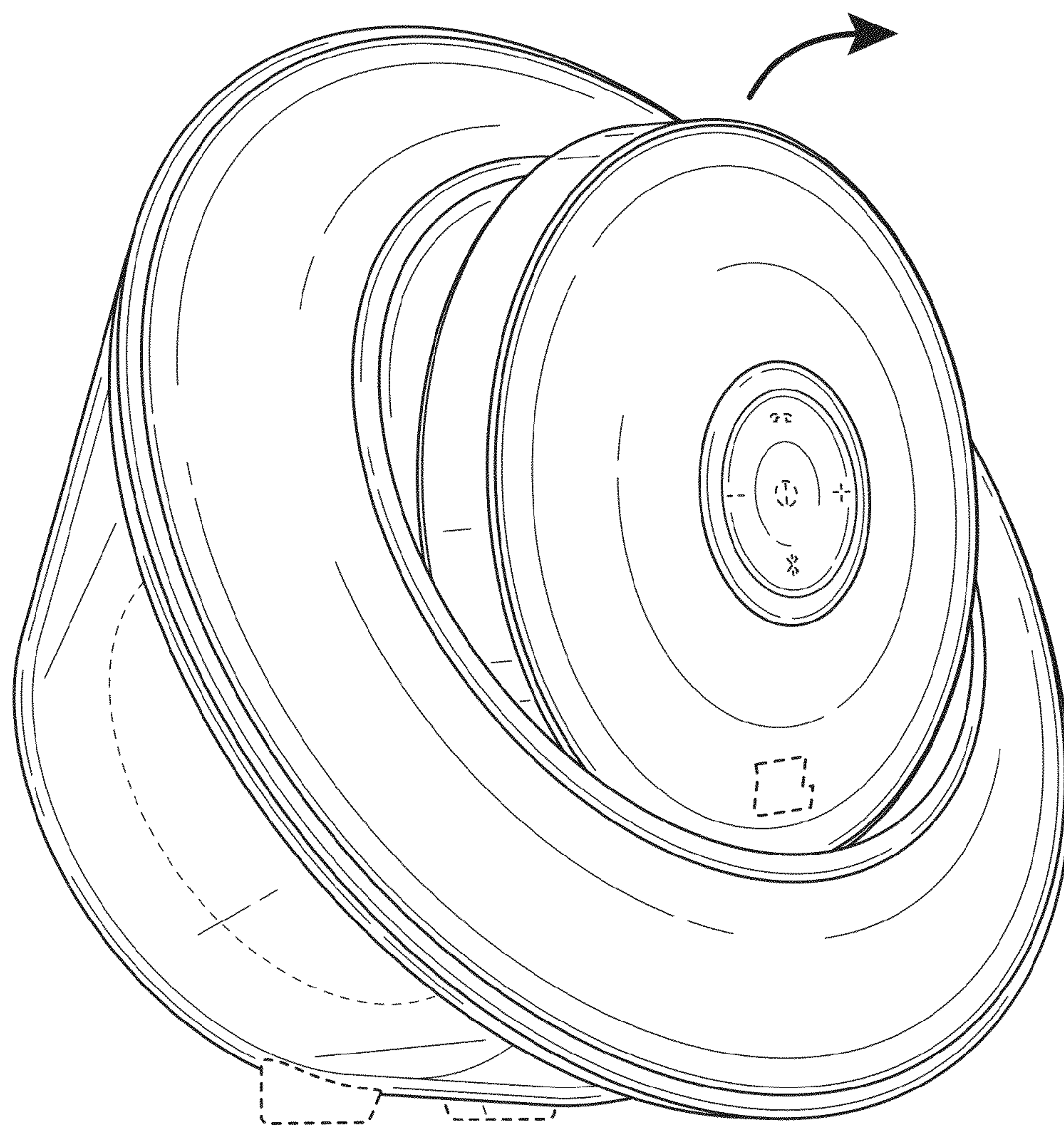


FIG. 7

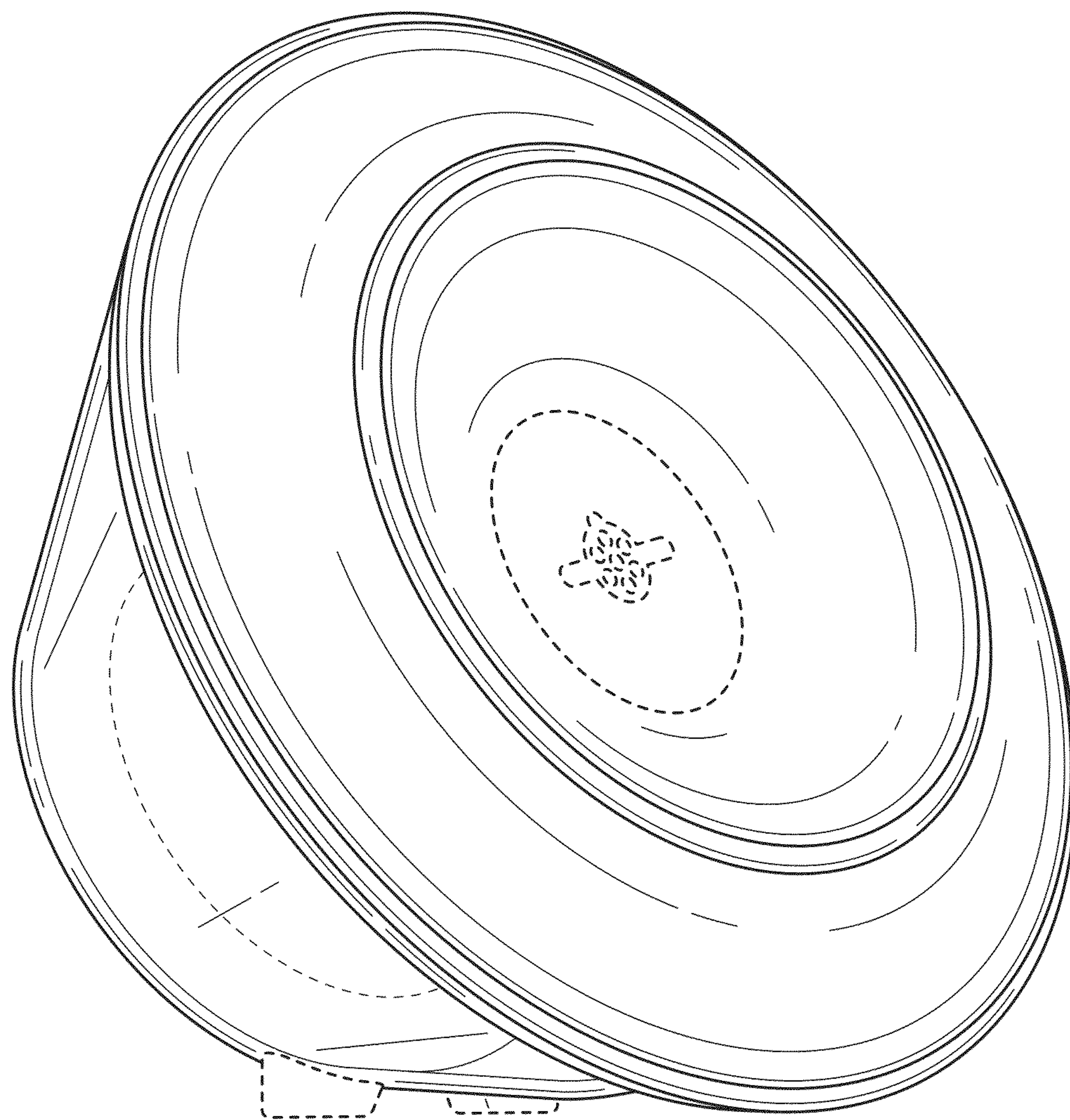


FIG. 8

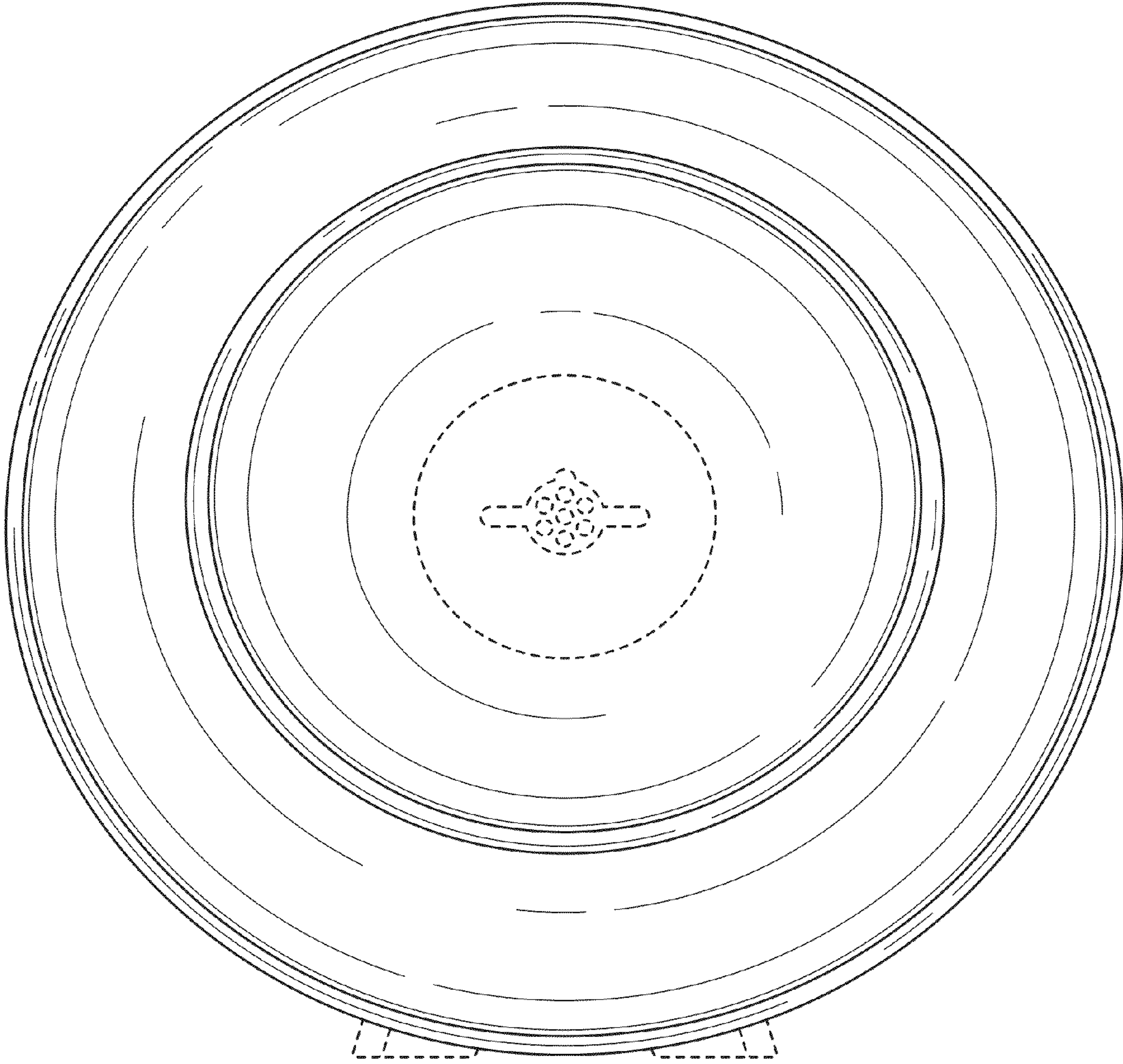


FIG. 9

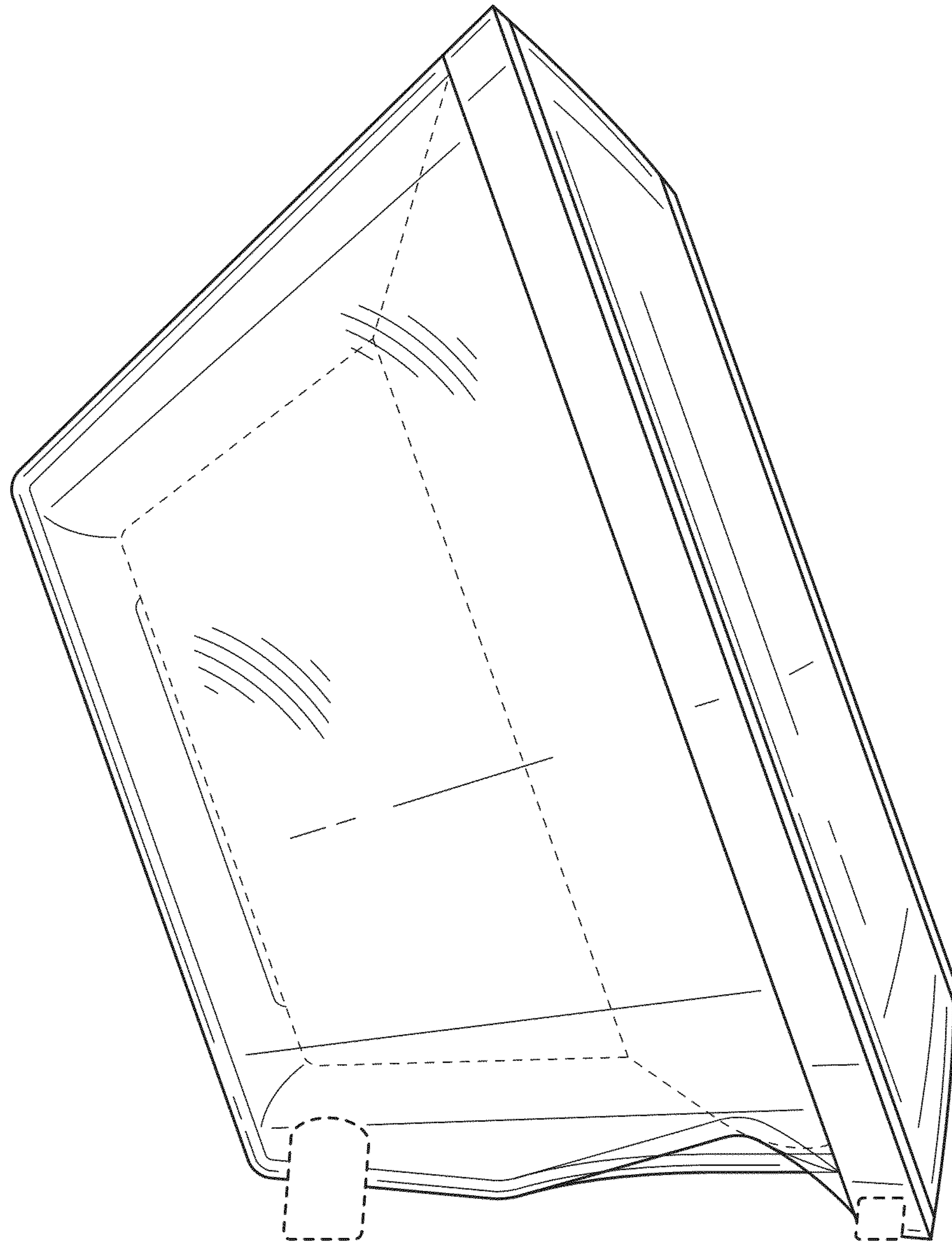


FIG. 10

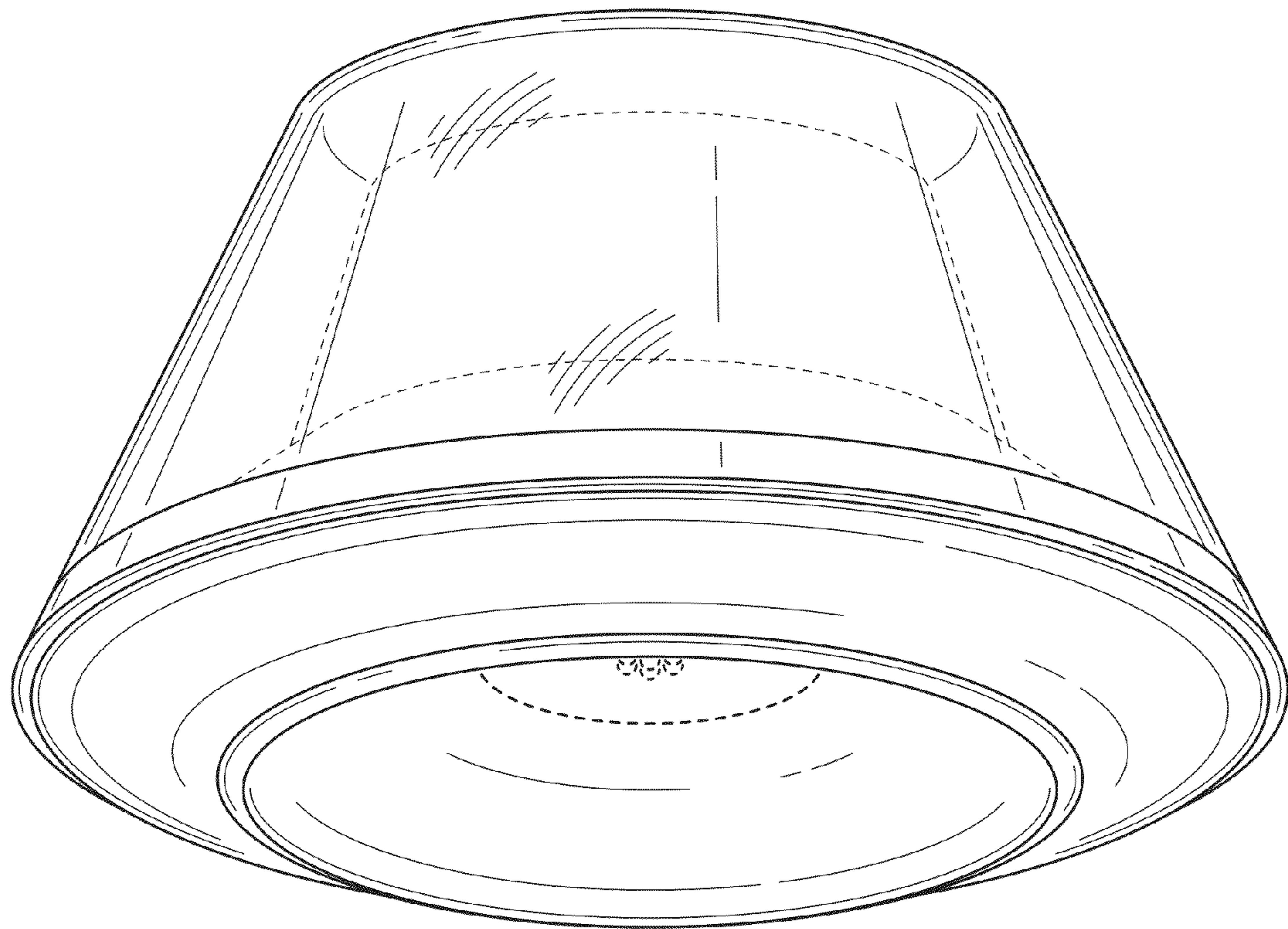


FIG. 11

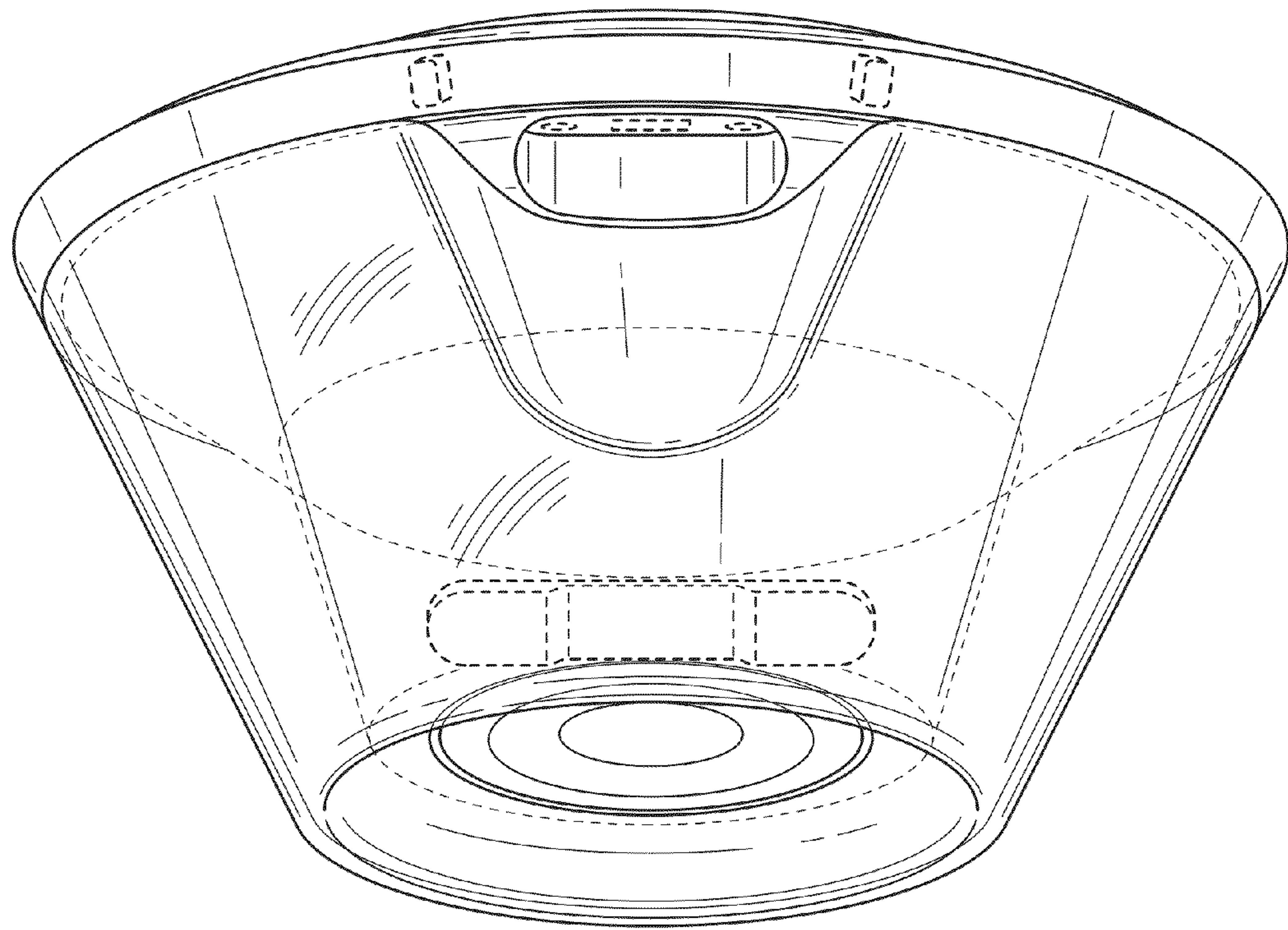


FIG. 12

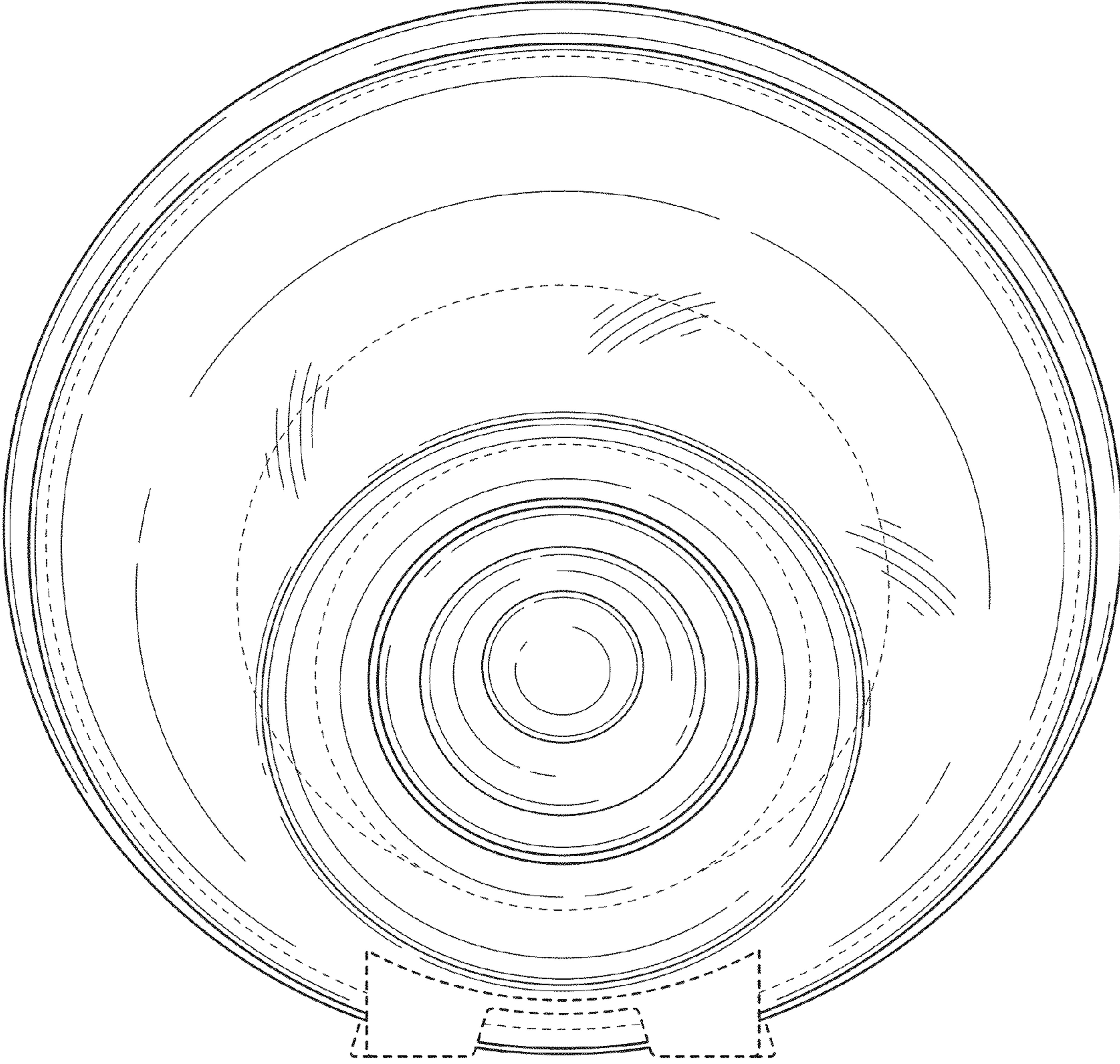


FIG. 13

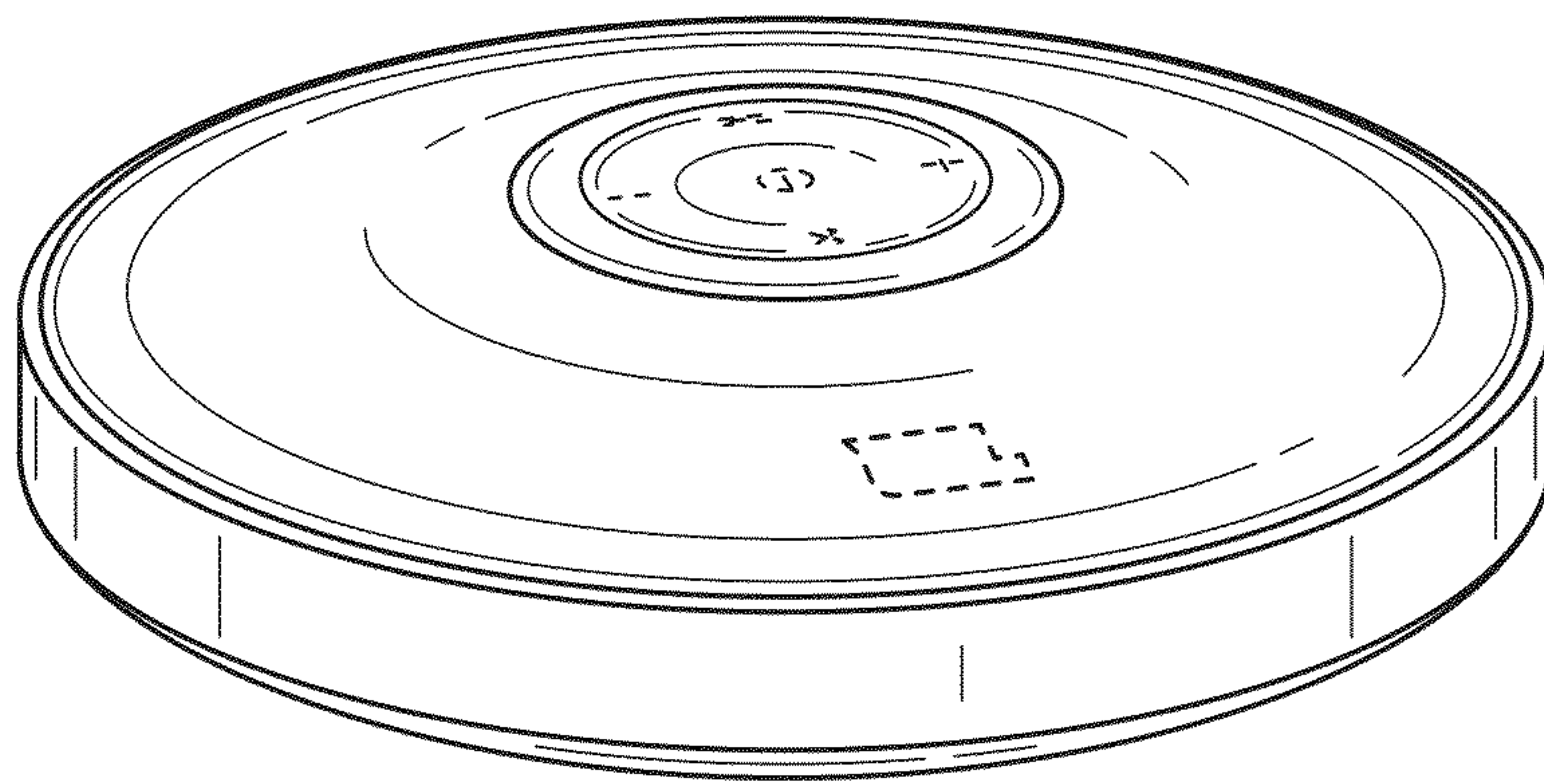


FIG. 14

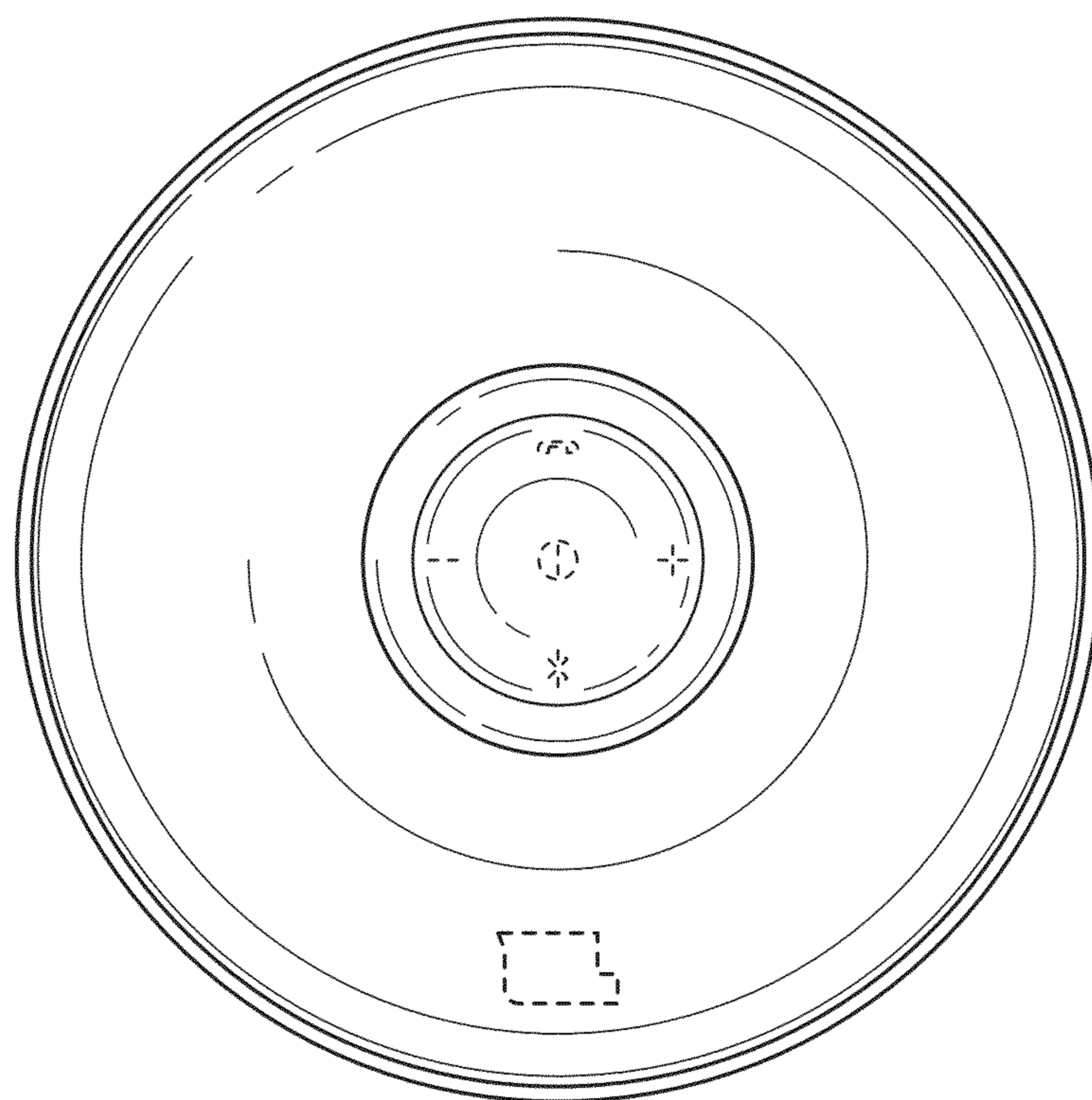


FIG. 15

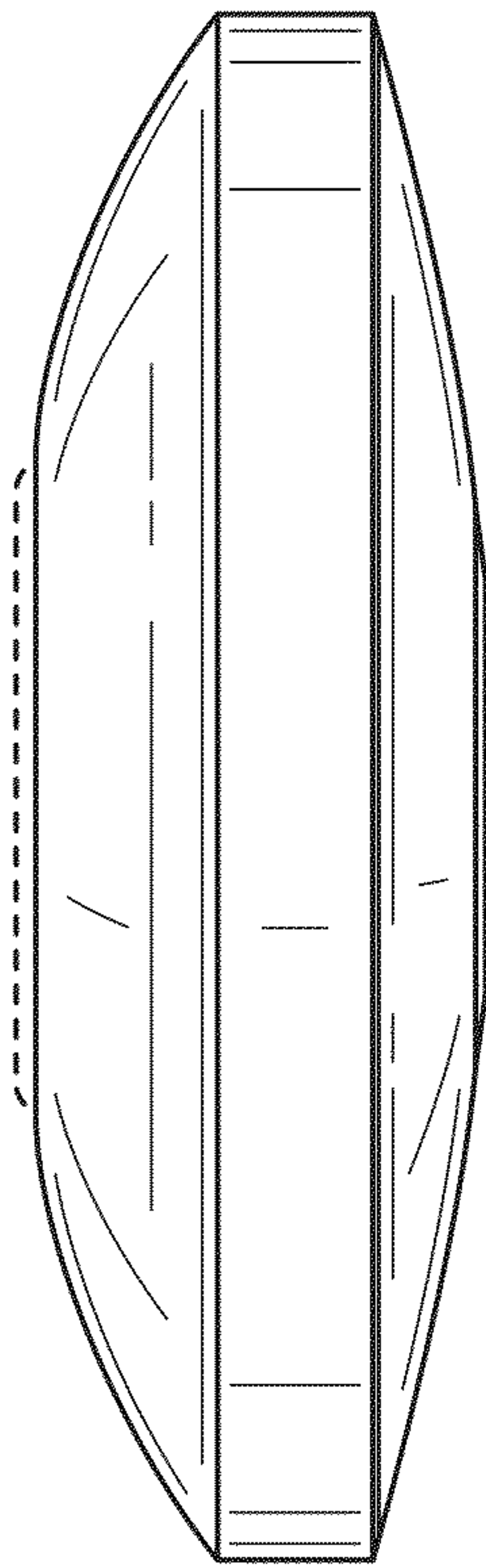


FIG. 16

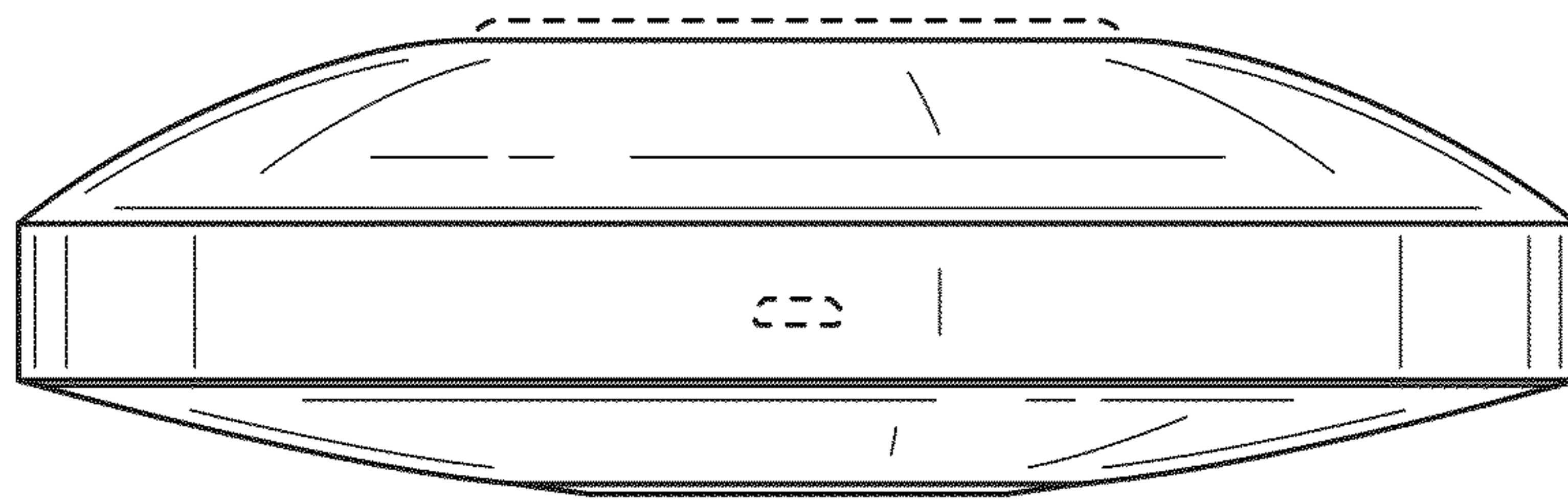


FIG. 17

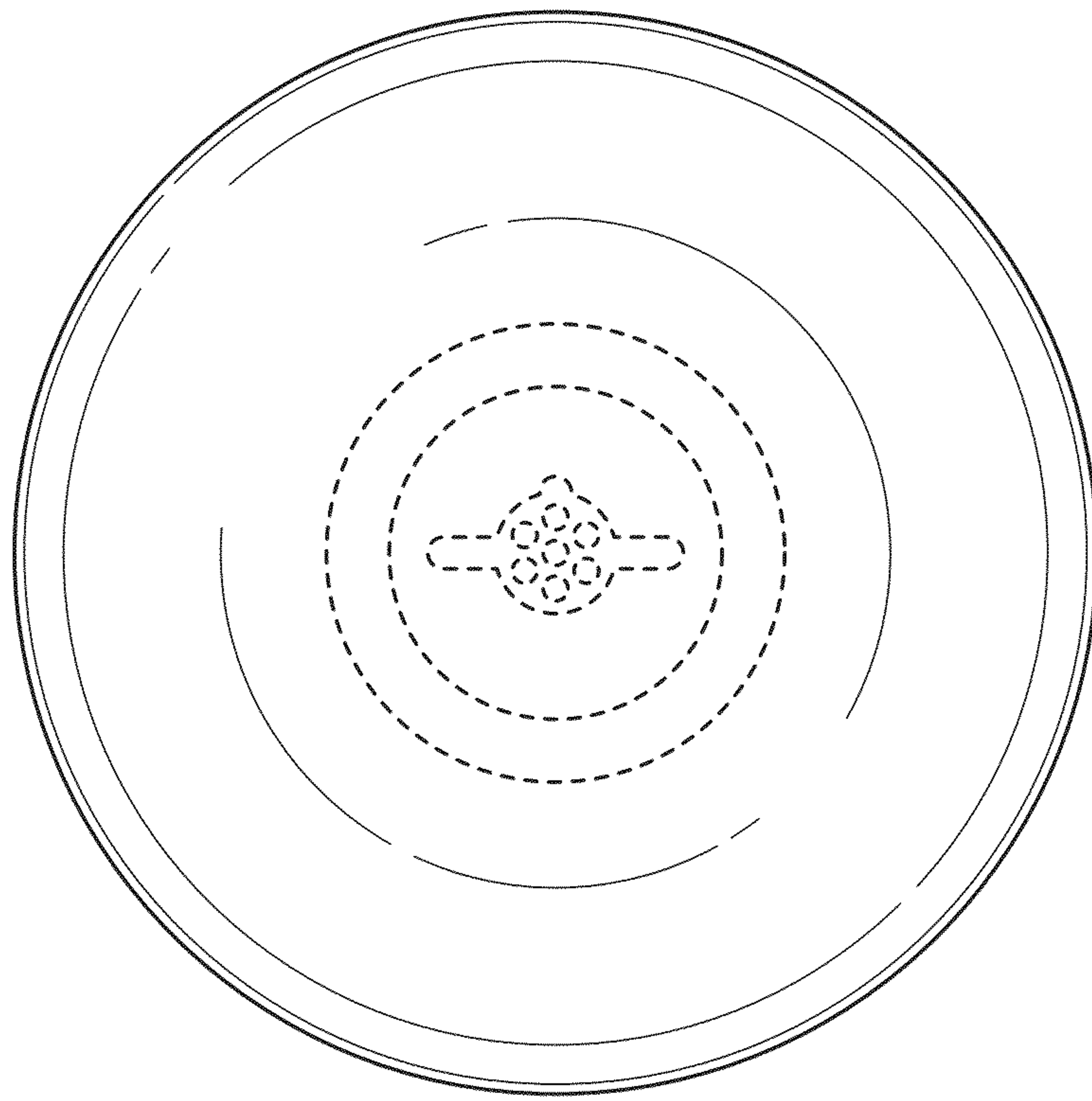


FIG. 18