



US00D718277S

(12) **United States Design Patent**
Yamamoto

(10) **Patent No.:** **US D718,277 S**

(45) **Date of Patent:** **** Nov. 25, 2014**

(54) **SPEAKER BOX**

(71) Applicant: **Panasonic Corporation**, Kadoma-shi,
Osaka (JP)

(72) Inventor: **Yuhei Yamamoto**, Osaka (JP)

(73) Assignee: **Panasonic Corporation**, Osaka (JP)

(**) Term: **14 Years**

(21) Appl. No.: **29/480,283**

(22) Filed: **Jan. 24, 2014**

(30) **Foreign Application Priority Data**

Aug. 21, 2013 (EP) 001381479-0002

Aug. 21, 2013 (EP) 001381479-0003

(51) **LOC (10) Cl.** **14-03**

(52) **U.S. Cl.**
USPC **D14/214**

(58) **Field of Classification Search**
USPC D14/167, 168, 170–172, 188, 194–196,
D14/204, 207, 209.1, 210–216, 219, 221,
D14/222, 224, 496; 181/143, 144, 147, 148,
181/150, 153, 157, 198, 199; 381/300–303,
381/306, 332, 333, 336, 345, 361–364,
381/386–388; 369/6–12

See application file for complete search history.

(56) **References Cited**

U.S. PATENT DOCUMENTS

D540,782 S * 4/2007 Katsumata D14/214
D542,272 S * 5/2007 Shiono D14/214
D543,553 S * 5/2007 Langberg et al. D14/496
D574,810 S * 8/2008 Tanaka D14/214
D587,244 S * 2/2009 Lim et al. D14/214

D612,868 S * 3/2010 Morabito D14/496
D663,718 S * 7/2012 Jang D14/214
D693,329 S * 11/2013 Lee et al. D14/216
D710,328 S * 8/2014 Kim D14/214
D713,381 S * 9/2014 Riggs et al. D14/214

* cited by examiner

Primary Examiner — Keli L Hill

(74) *Attorney, Agent, or Firm* — Brinks Gilson & Lione

(57) **CLAIM**

I claim the ornamental design for a speaker box, as shown and described.

DESCRIPTION

FIG. 1 is a front perspective view of a first embodiment of a speaker box of the present invention; FIG. 2 is a rear perspective view thereof; FIG. 3 is a front view thereof; FIG. 4 is a rear view thereof; FIG. 5 is a first side view thereof; FIG. 6 is a second side view thereof; FIG. 7 is a top view thereof; FIG. 8 is a bottom view thereof; FIG. 9 is a front perspective view of a second embodiment of a speaker box of the present invention; FIG. 10 is a rear perspective view thereof; FIG. 11 is a front view thereof; FIG. 12 is a rear view thereof; FIG. 13 is a first side view thereof; FIG. 14 is a second side view thereof; FIG. 15 is a top view thereof; and, FIG. 16 is a bottom view thereof.

The broken lines shown represent unclaimed subject matter and form no part of the claimed design. The stippled shading shown in the front and rear views of the claimed design represents a speaker grill.

1 Claim, 16 Drawing Sheets

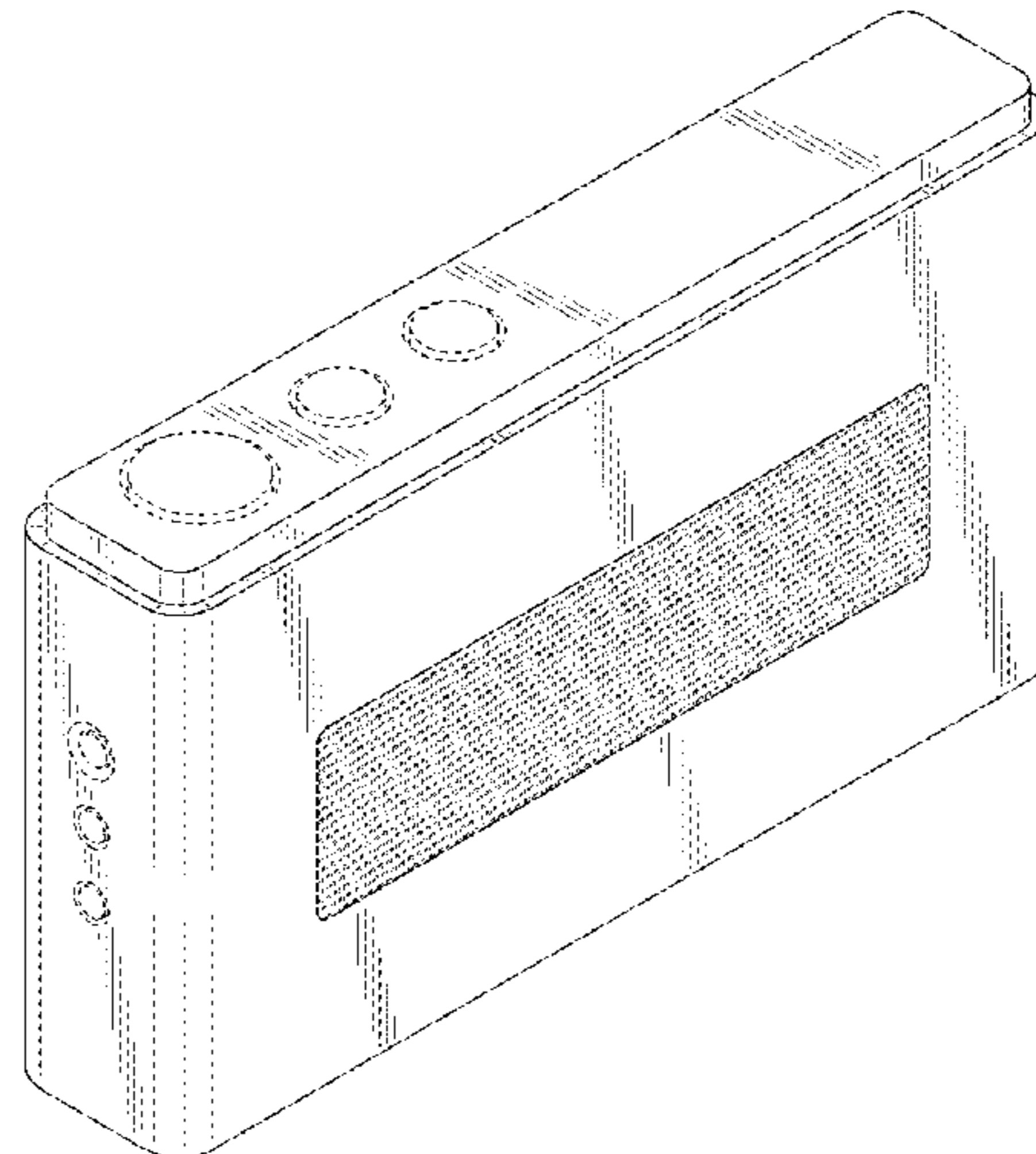
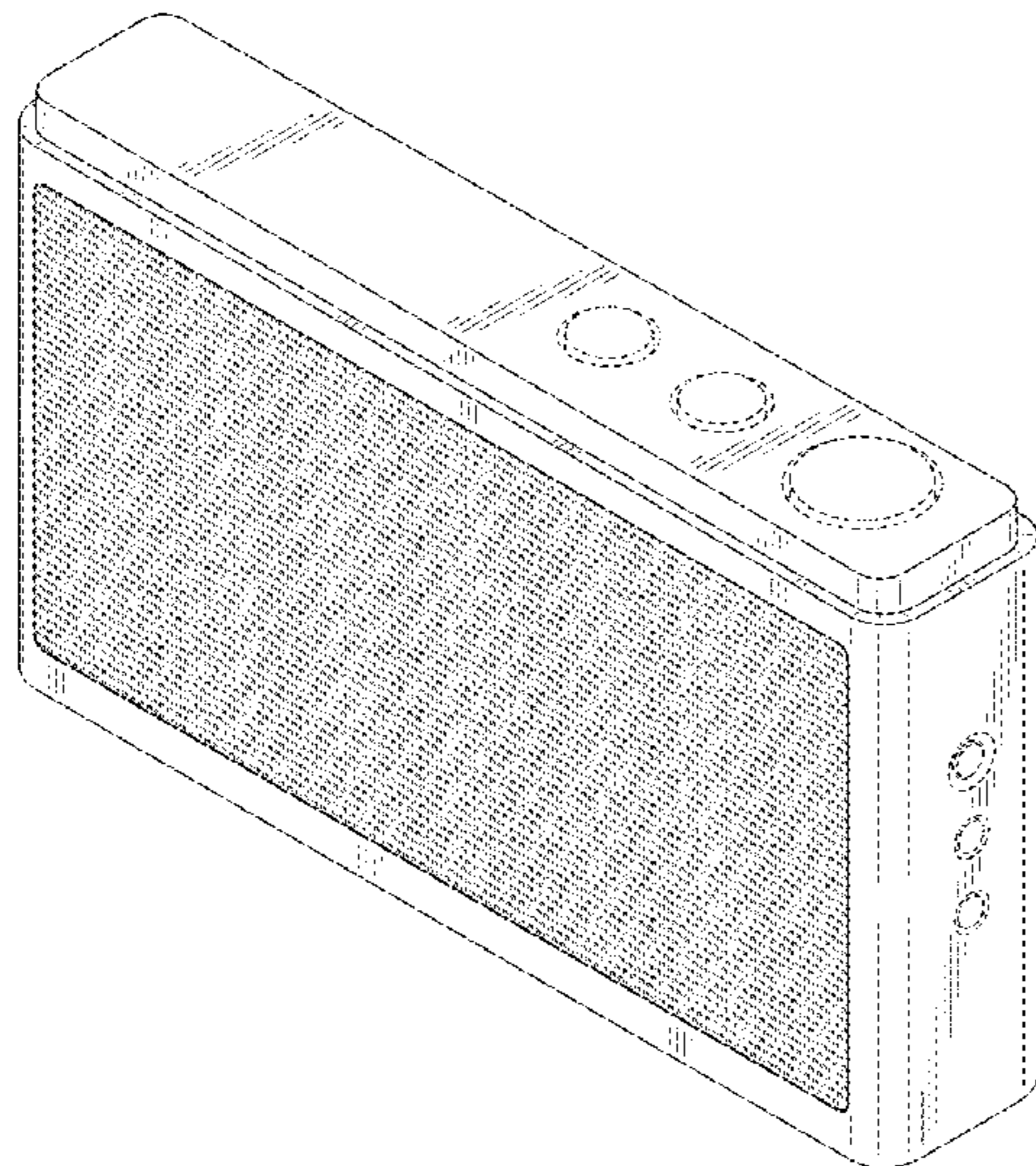


FIG. 1

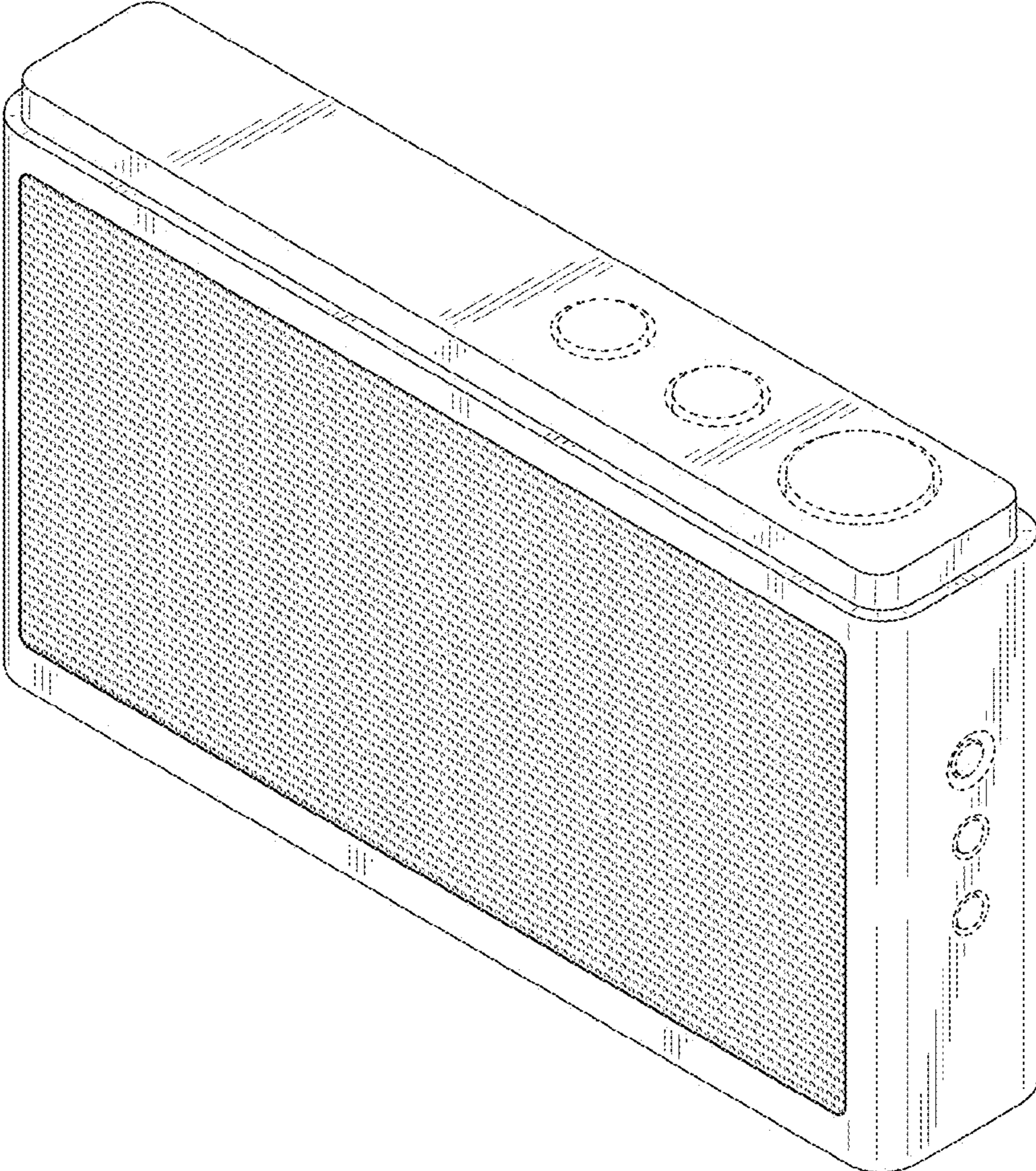


FIG.2

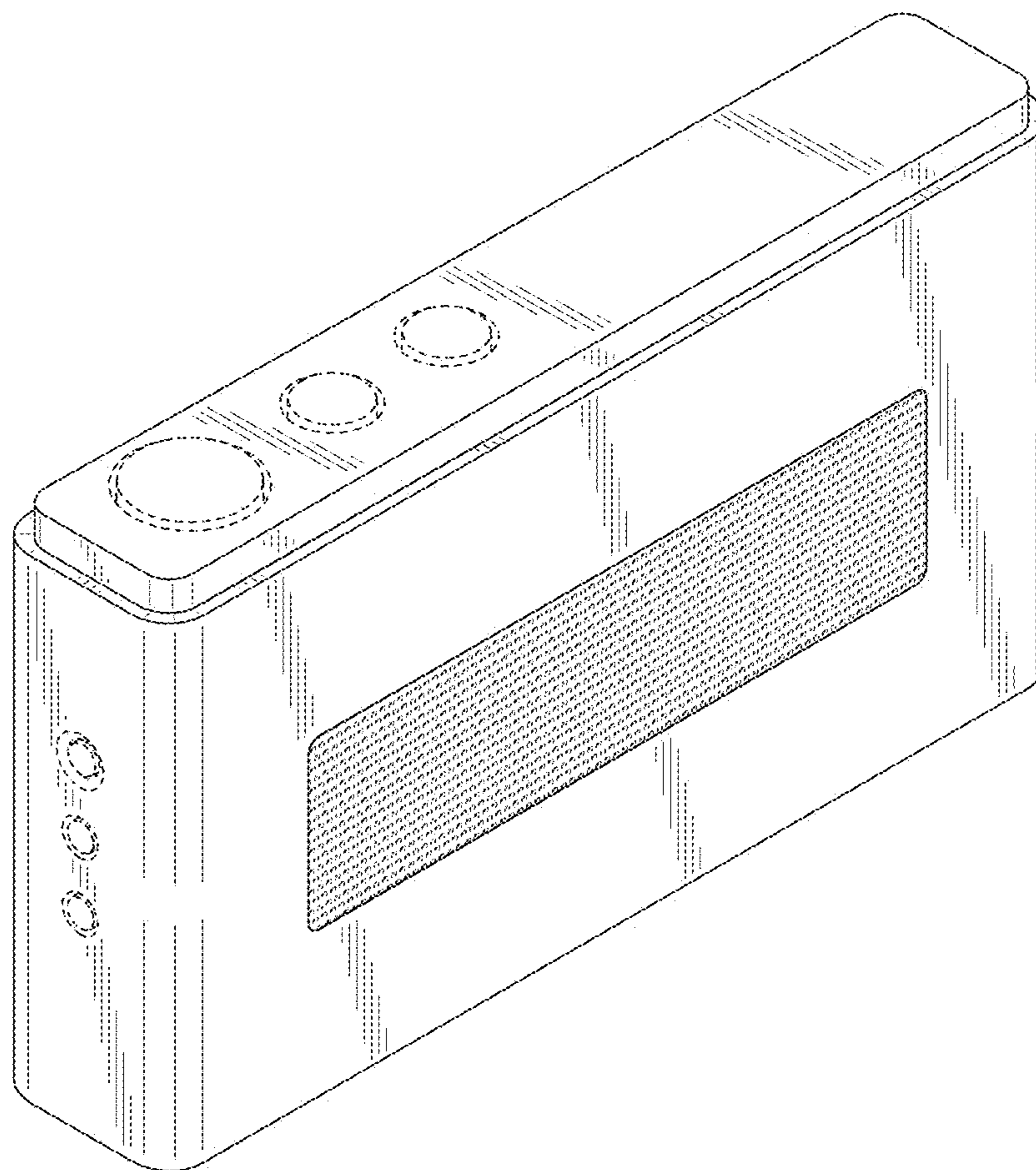


FIG.3

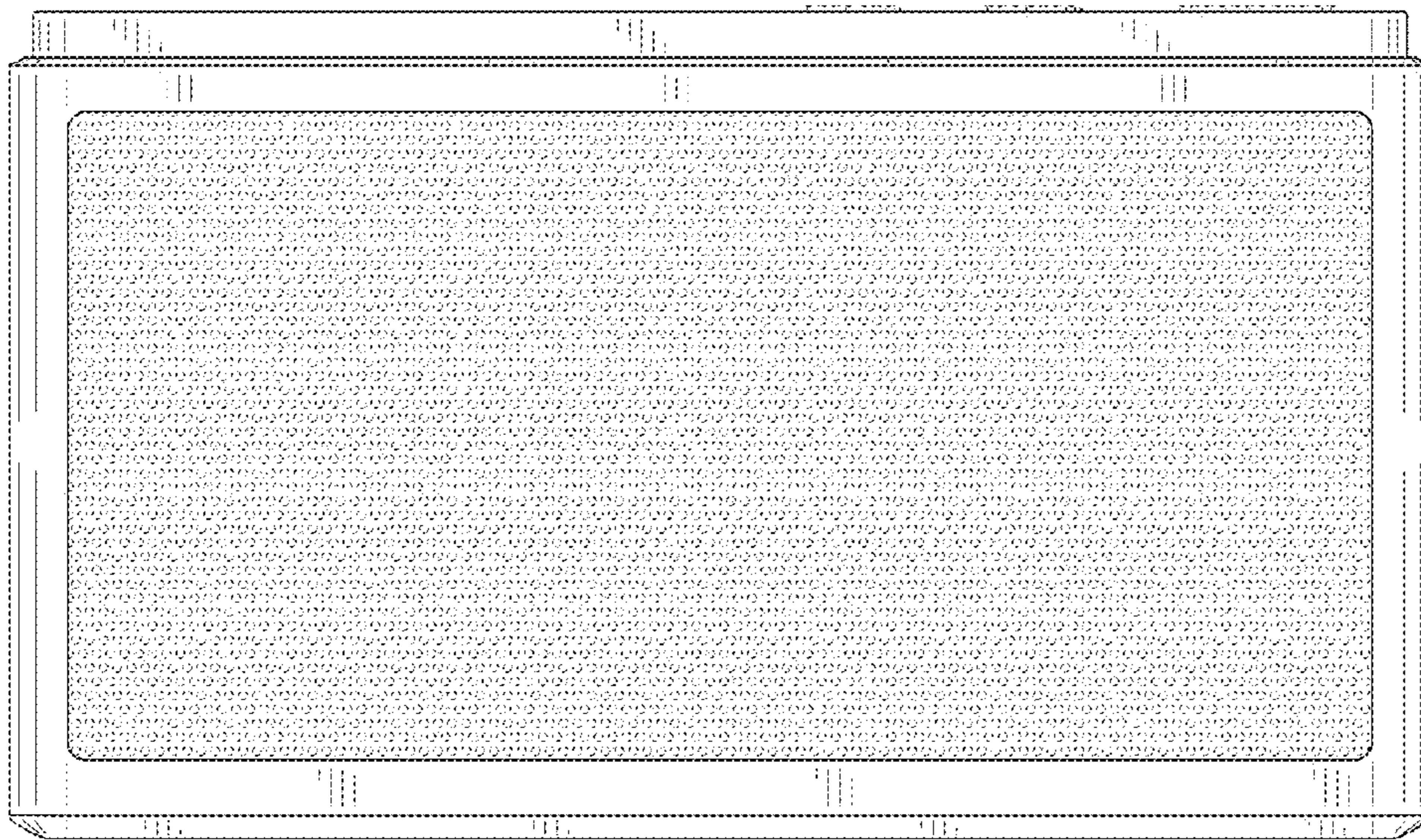


FIG.4

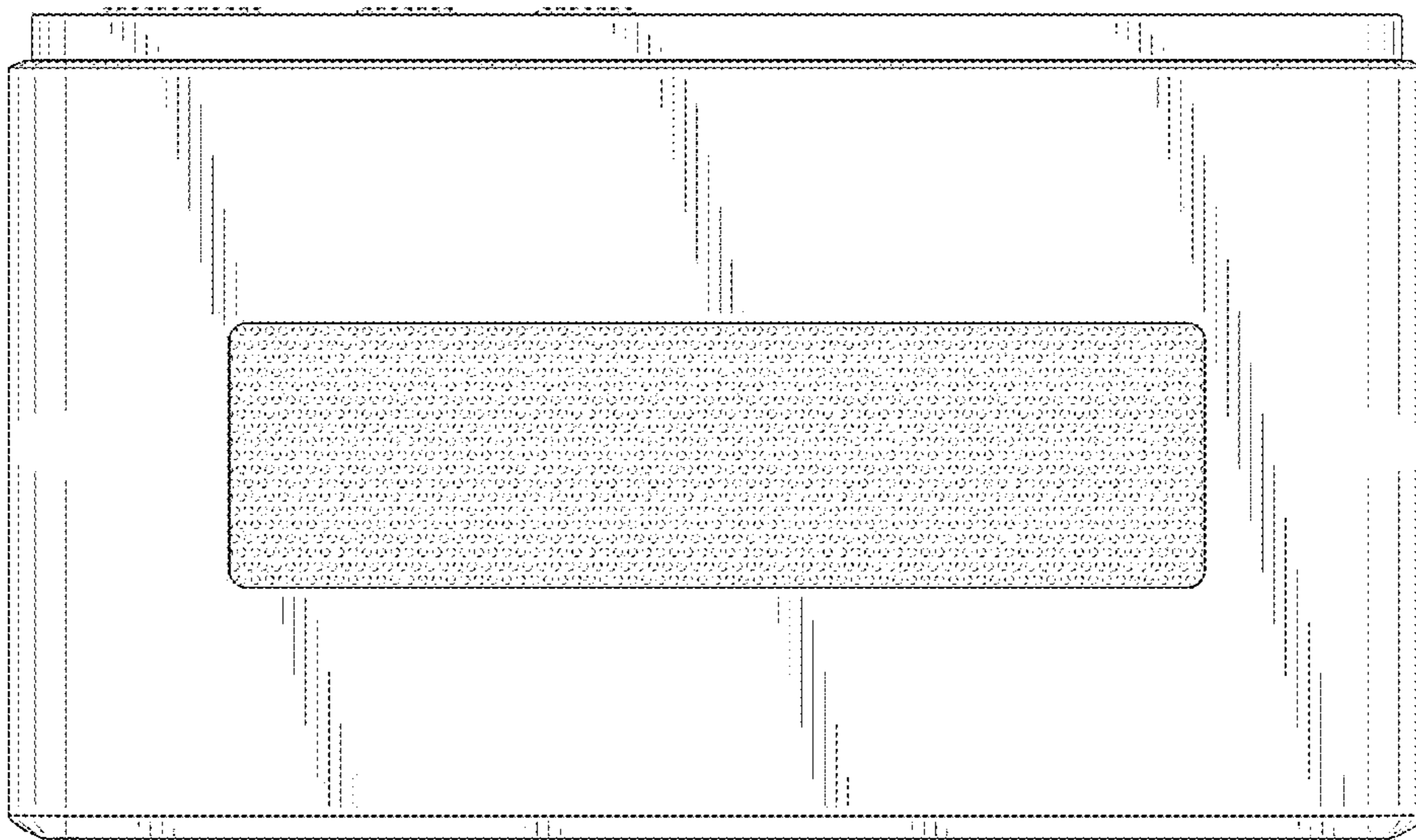


FIG.5

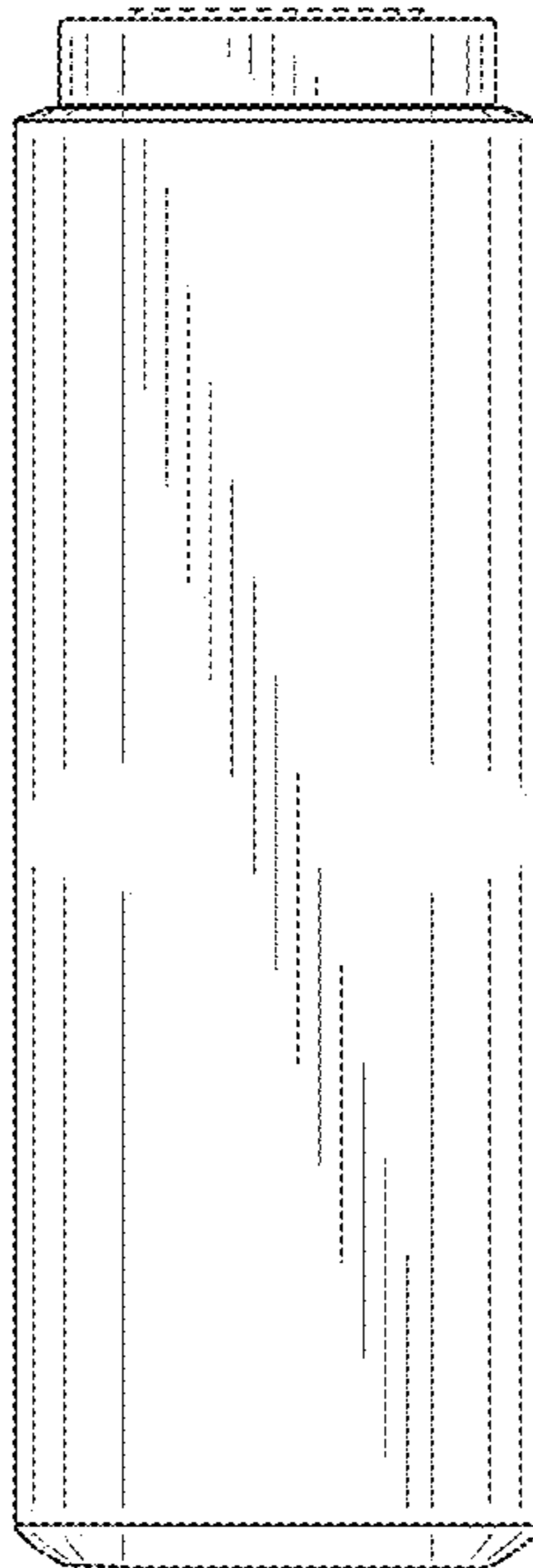


FIG.6

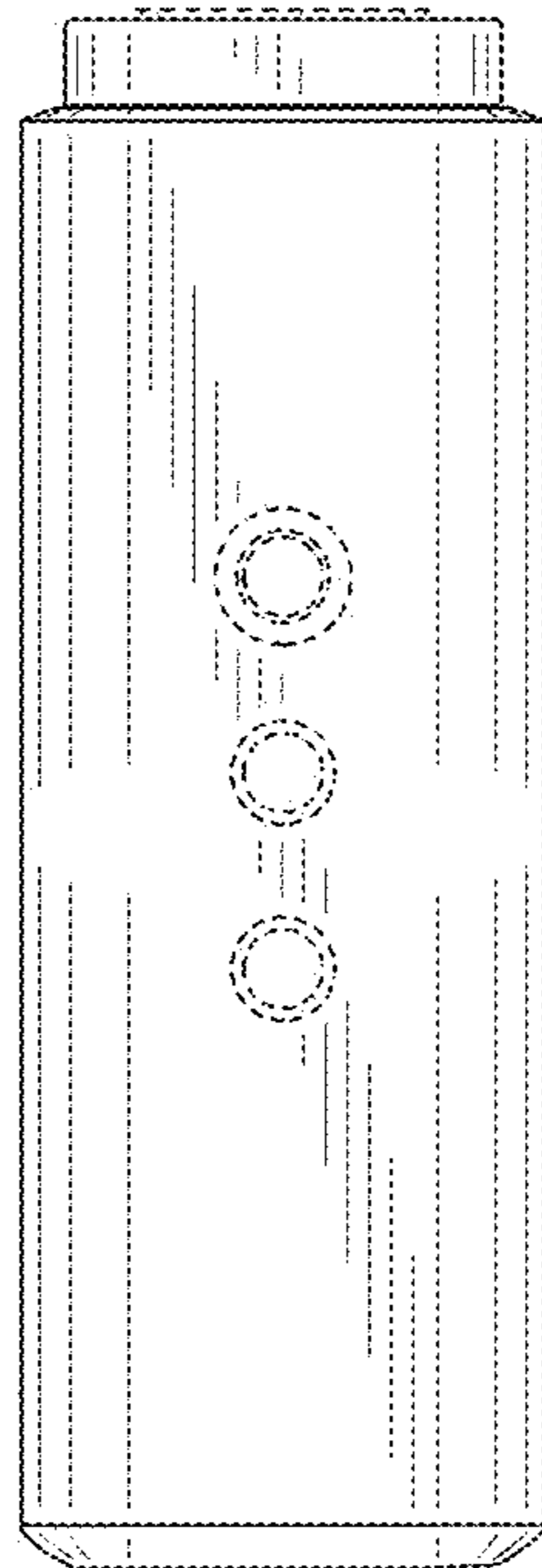


FIG. 7

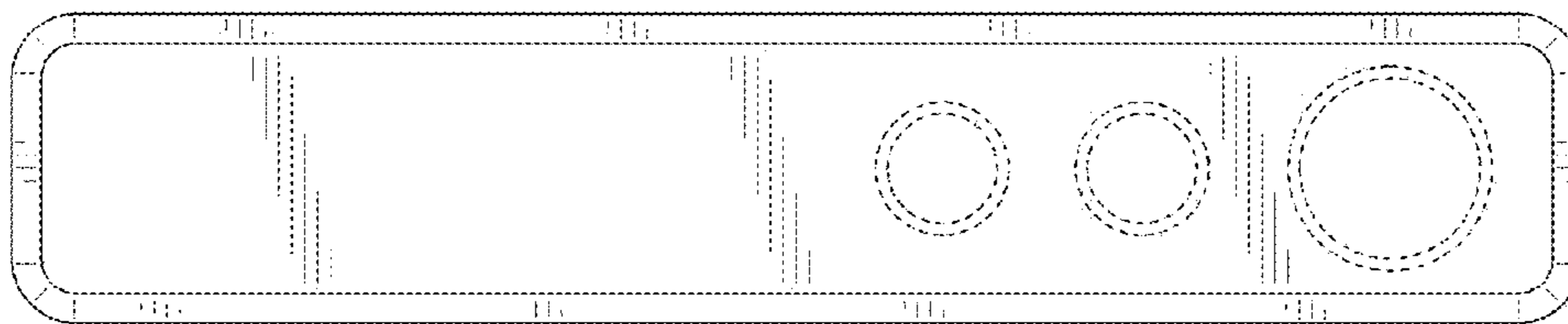


FIG. 8

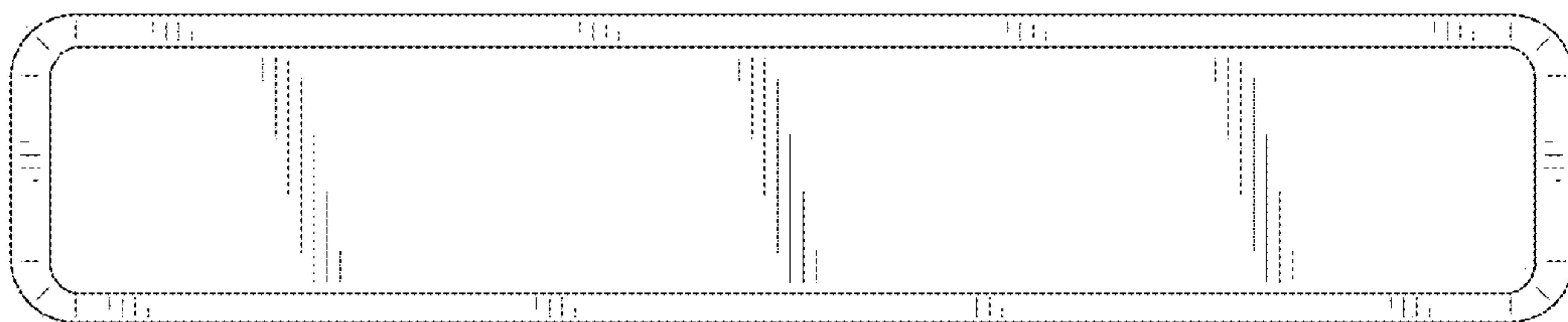


FIG. 9

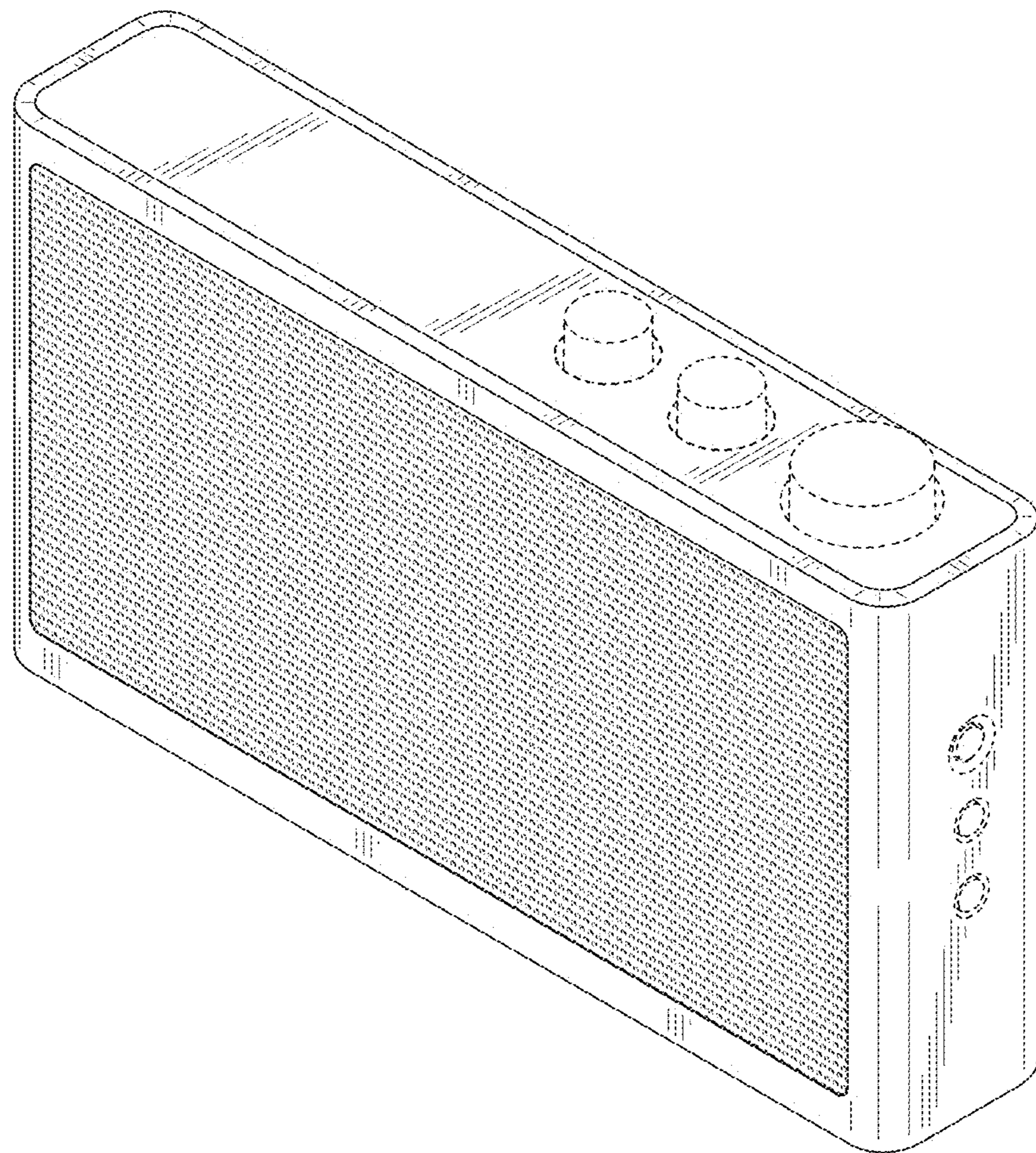


FIG. 10

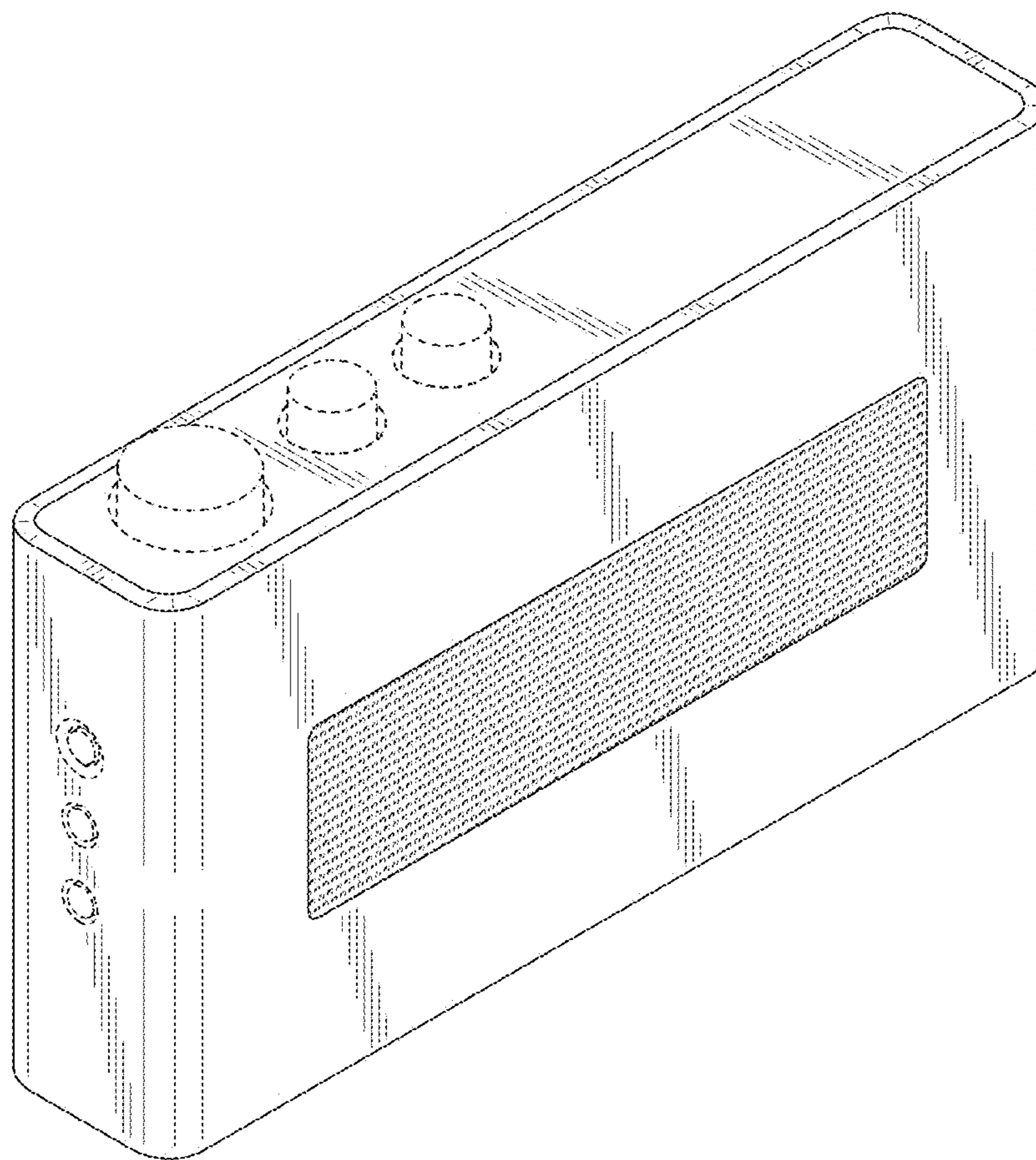


FIG. 11

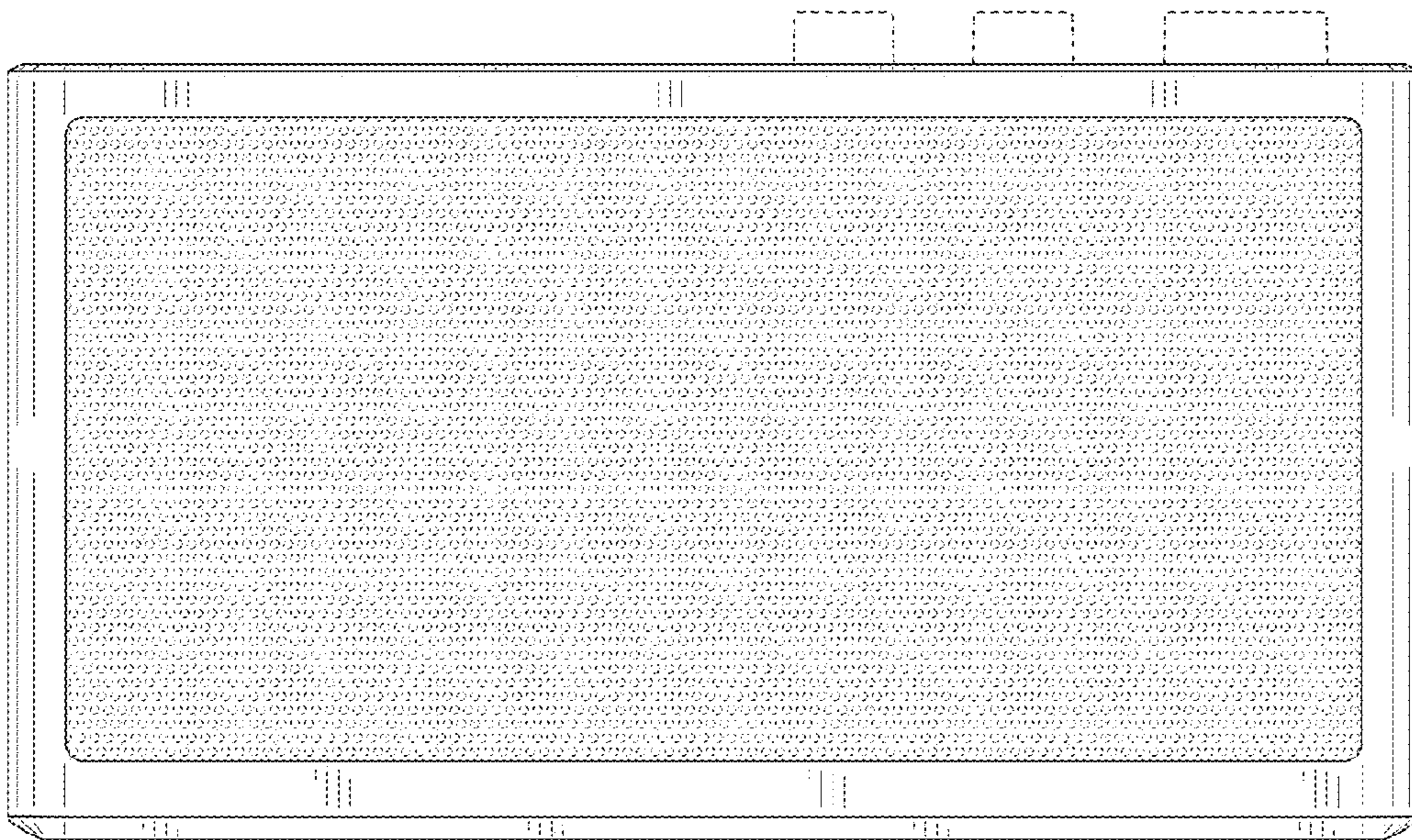


FIG. 12

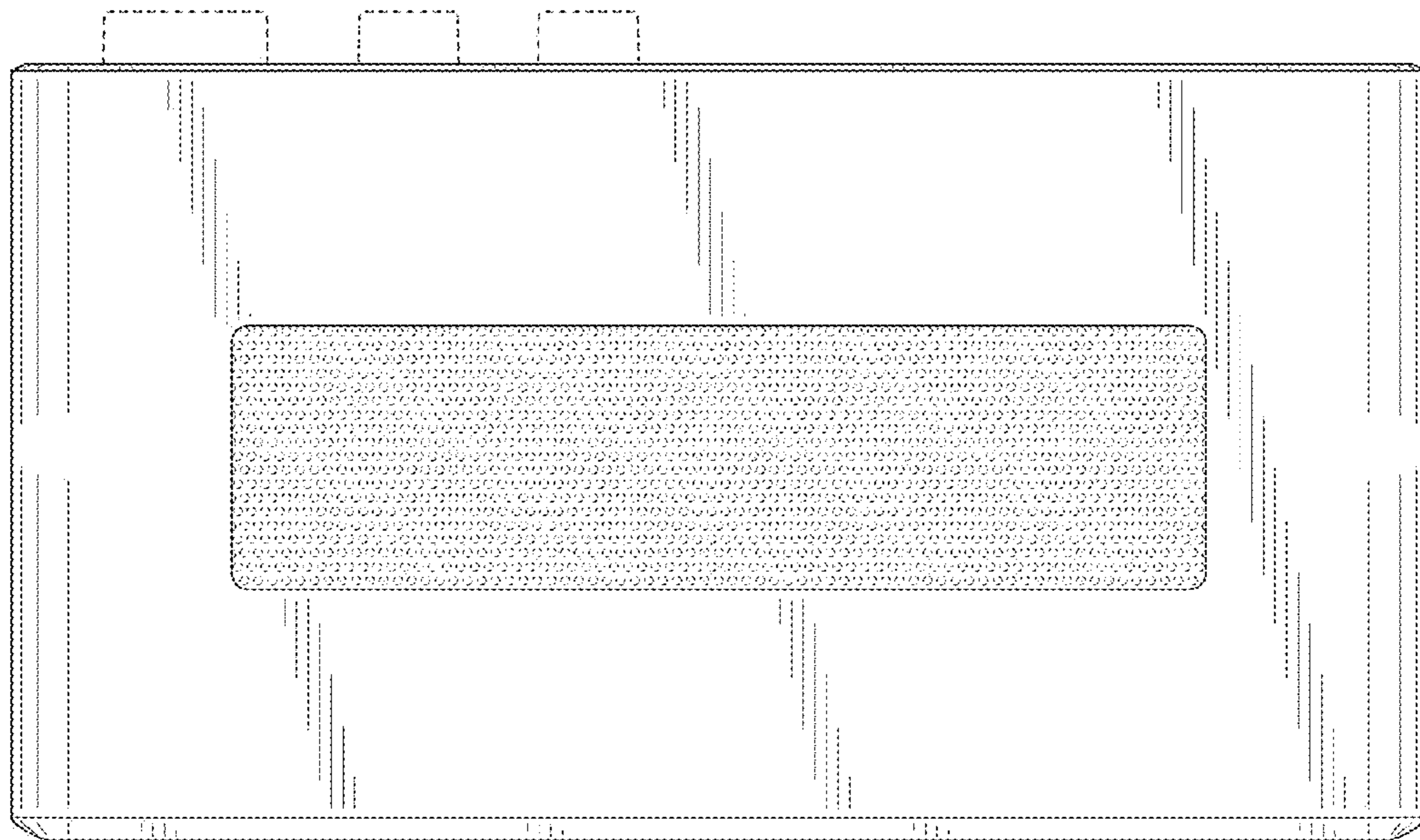


FIG. 13

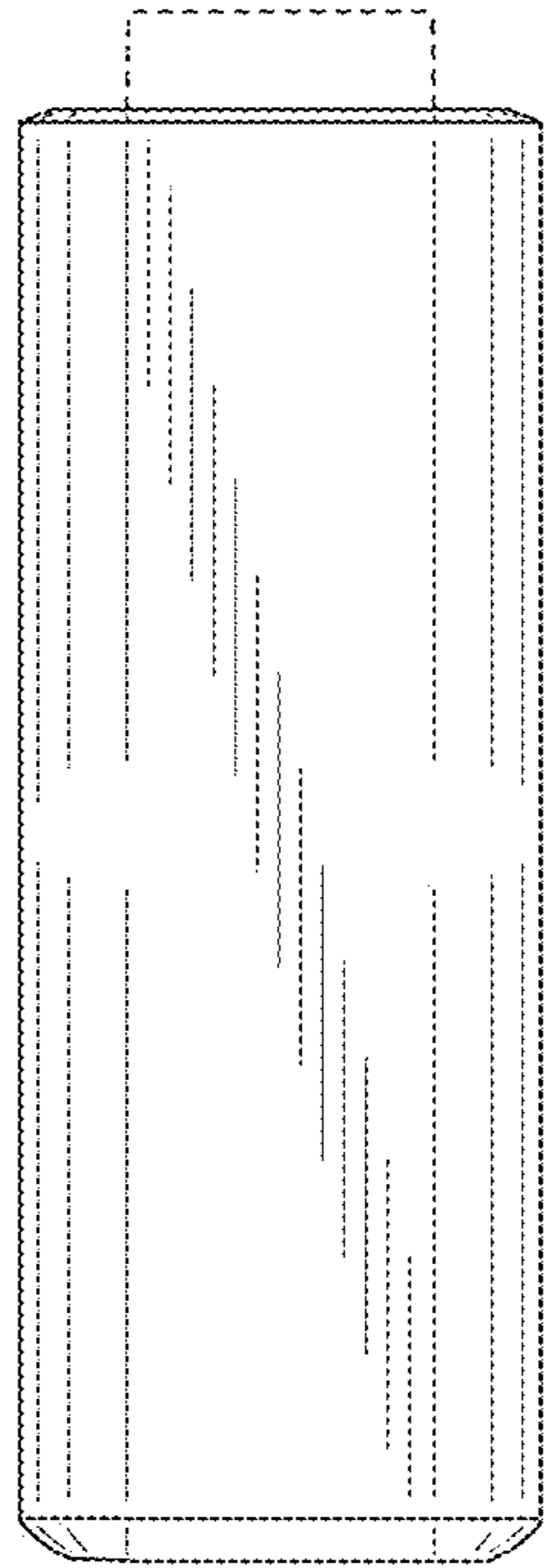


FIG. 14

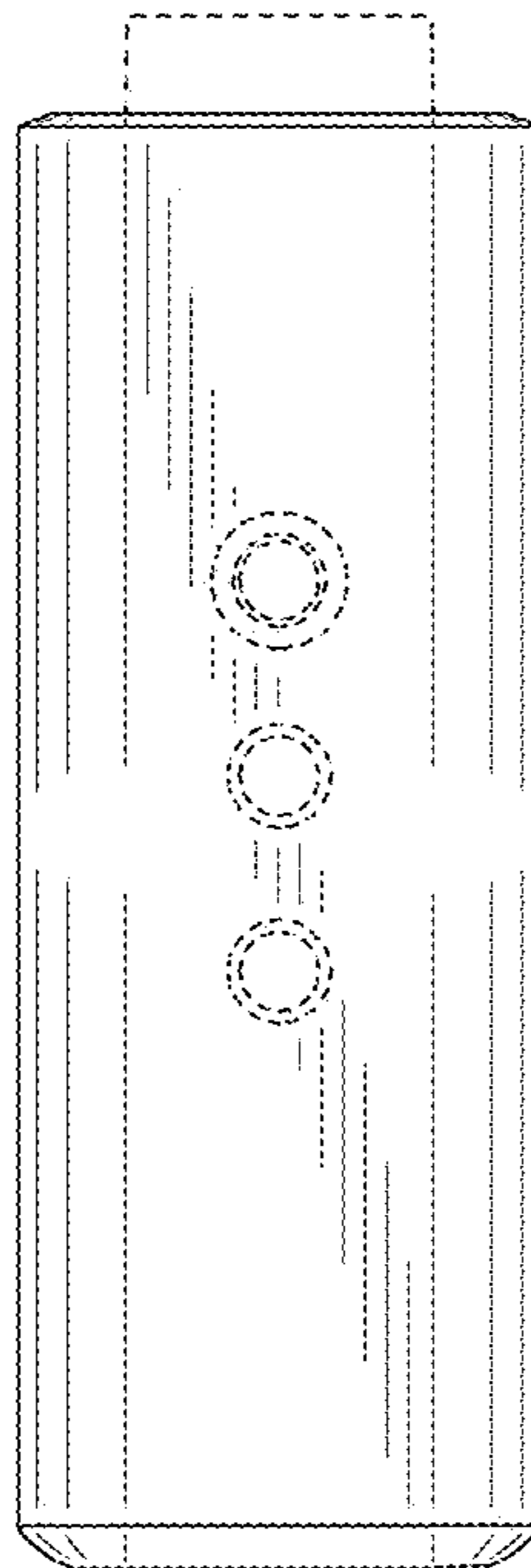


FIG.15

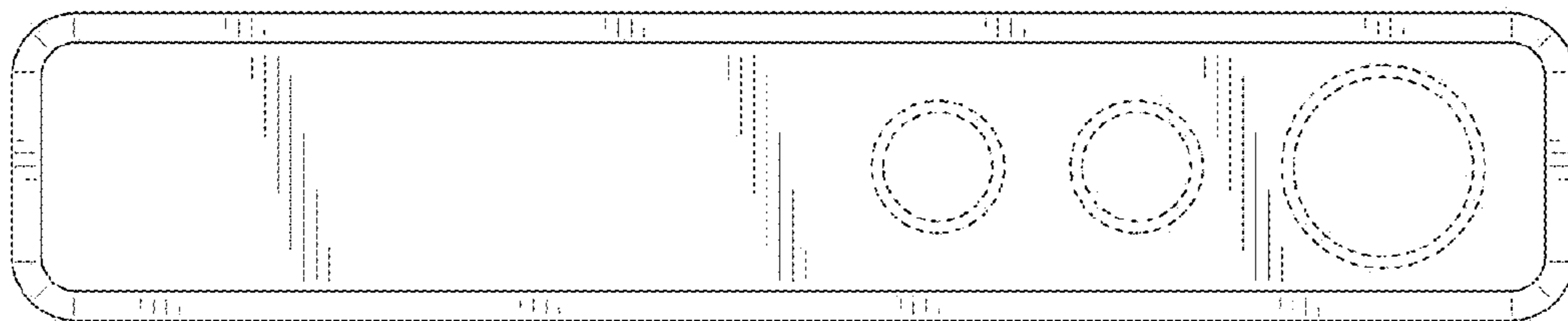


FIG.16

