



US00D718275S

(12) **United States Design Patent**
Shim et al.

(10) **Patent No.:** **US D718,275 S**

(45) **Date of Patent:** **** Nov. 25, 2014**

(54) **SPEAKER**

(75) Inventors: **Hyung-Sup Shim**, Seoul (KR);
Byeong-Yong Song, Goyang (KR);
Eun-Young Kim, Seongnam (KR)

(73) Assignee: **Samsung Electronics Co., Ltd.**,
Suwon-Si (KR)

(**) Term: **14 Years**

(21) Appl. No.: **29/419,031**

(22) Filed: **Apr. 24, 2012**

(30) **Foreign Application Priority Data**

Oct. 25, 2011 (KR) 30-2011-0044562

(51) **LOC (10) Cl.** **14-03**

(52) **U.S. Cl.**
USPC **D14/214**

(58) **Field of Classification Search**
USPC D13/107, 108, 163, 164; D14/162,
D14/167-169, 171, 172, 175, 188, 194,
D14/196-198, 203.1-203.8, 204, 207,
D14/210-217, 221, 222, 257, 258, 265, 496,
D14/498-511; 84/625, 660, 697; 181/143,
181/144, 145, 147, 148, 153, 157, 198,
181/199; 360/99.02, 99.07; 369/75.11,
369/77.11, 77.21; 381/119, 300, 301, 306,
381/332, 333, 336, 345, 361-364; 455/344,
455/350; 720/601, 612, 619, 649, 655
See application file for complete search history.

(56) **References Cited**

U.S. PATENT DOCUMENTS

D229,191 S * 11/1973 Sandler D14/210
D230,489 S * 2/1974 Everett D14/214
D238,182 S * 12/1975 Kizawa D14/210
D255,101 S * 5/1980 Booty D10/15
D432,126 S * 10/2000 Goo D14/374

D458,911 S * 6/2002 Kataoka D14/129
D471,893 S 3/2003 Jung
D500,297 S * 12/2004 Chan D14/148
D520,975 S 5/2006 Kim et al.
D529,019 S 9/2006 Lim

(Continued)

FOREIGN PATENT DOCUMENTS

EM 002008904-0001 * 3/2012
KR 3004583830000 8/2007

(Continued)

OTHER PUBLICATIONS

U.S. Appl. No. 29/419,036, Applicant: Lee, et al., filed Apr. 24, 2012,
entitled Speaker.

(Continued)

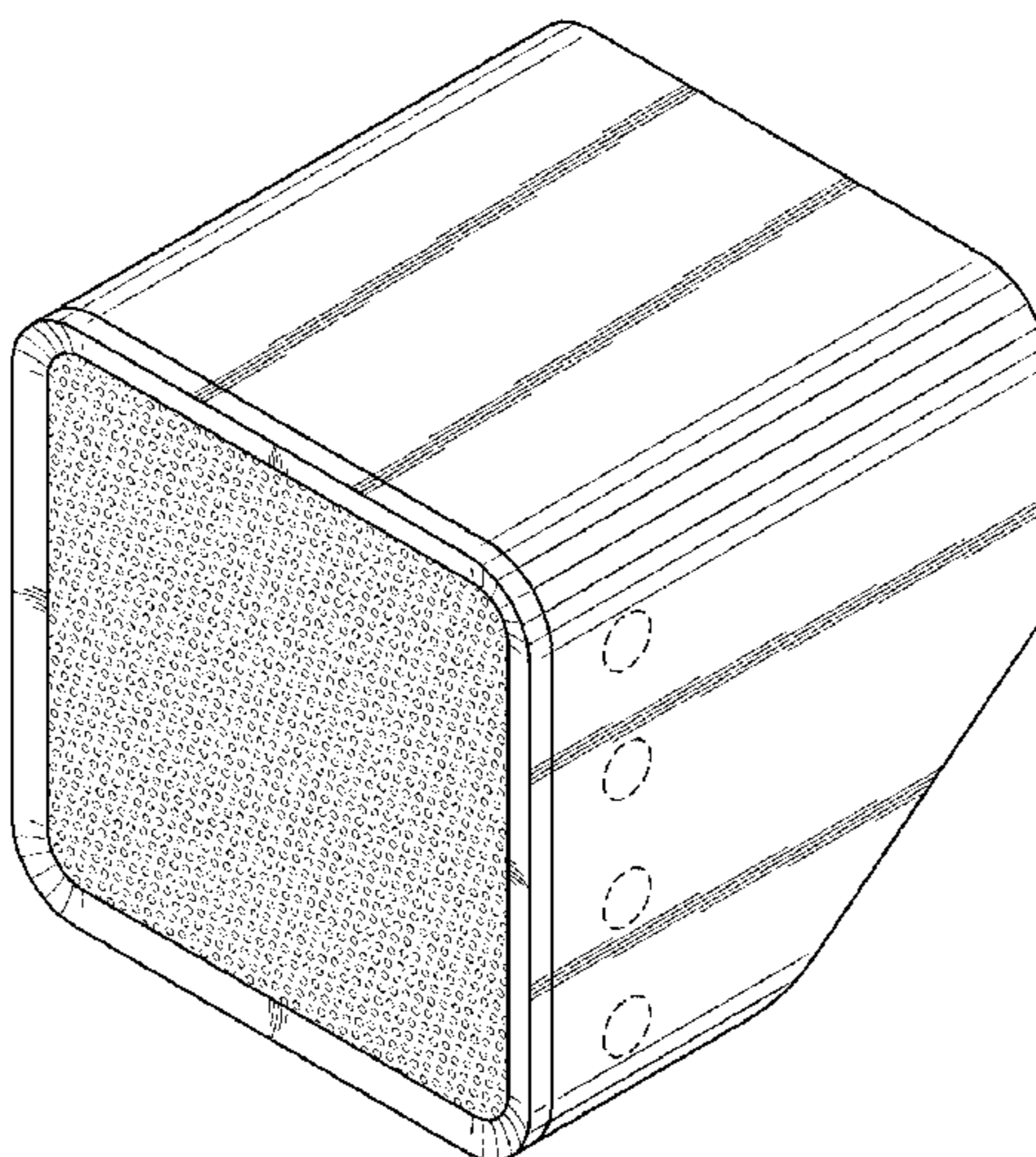
Primary Examiner — Stella Reid
Assistant Examiner — Janice Lim
(74) *Attorney, Agent, or Firm* — Wood, Herron & Evans,
LLP

(57) **CLAIM**
The ornamental design for a speaker, as shown and described.

DESCRIPTION

FIG. 1 is a top front perspective view of a speaker showing our
new design;
FIG. 2 is a front elevational view thereof;
FIG. 3 is a rear elevational view thereof;
FIG. 4 is a left side elevational view thereof;
FIG. 5 is a right side elevational view thereof;
FIG. 6 is a top plan view thereof; and,
FIG. 7 is a bottom plan view thereof.
The broken line portions of FIGS. 1, 3, 5, and 7 are included
to show unclaimed subject matter only and form no part of the
claimed design.

1 Claim, 4 Drawing Sheets



(56)

References Cited

U.S. PATENT DOCUMENTS

D537,072 S	2/2007	Kim et al.	
D540,780 S	4/2007	Kim	
D542,265 S	* 5/2007	Hussaini et al. D14/170
D545,300 S	6/2007	Hong et al.	
D548,222 S	8/2007	Kim	
D551,655 S	9/2007	Kim	
D551,665 S	9/2007	Tom et al.	
D560,209 S	1/2008	Kim et al.	
D560,211 S	1/2008	Kim et al.	
D560,686 S	1/2008	Kim	
D561,141 S	2/2008	Cho et al.	
D561,142 S	2/2008	Oh	
D561,161 S	2/2008	Cho	
D567,203 S	4/2008	Park	
D570,333 S	6/2008	Cho	
D570,828 S	6/2008	Cho	
D571,785 S	6/2008	Kim	
D571,786 S	6/2008	Cho	
D573,584 S	7/2008	Kim	
D579,003 S	10/2008	Kim et al.	
D579,915 S	11/2008	Yeo	
D583,801 S	12/2008	Son et al.	
D584,286 S	1/2009	Kim	
D584,288 S	1/2009	Kim	
D586,781 S	2/2009	Kim	
D586,782 S	2/2009	Kim	
D586,785 S	2/2009	Kim	
D587,237 S	2/2009	Son et al.	
D588,103 S	3/2009	Lee et al.	
D588,104 S	3/2009	Lee et al.	
D588,576 S	3/2009	Son et al.	
D591,269 S	4/2009	Kim et al.	
D592,179 S	5/2009	Ichinose et al.	
D593,068 S	5/2009	Kim et al.	
D593,069 S	5/2009	Son et al.	
D598,899 S	8/2009	Tkachuk	
D613,310 S	4/2010	Kim	

D615,963 S	5/2010	Cho et al.
D624,047 S	9/2010	Kim
D624,048 S	9/2010	Kim
D628,556 S	12/2010	Lee et al.
D629,388 S	12/2010	Son et al.
D631,868 S	2/2011	Chung
D633,076 S	2/2011	Kim et al.
D634,302 S	3/2011	Chung et al.
D657,774 S	4/2012	Chung et al.
D660,285 S	5/2012	Lee et al.
D660,286 S	5/2012	Lee et al.

FOREIGN PATENT DOCUMENTS

KR	3004602570000	8/2007
KR	3004608520000	8/2007
KR	3004659690000	10/2007
KR	3005005060000	7/2008
KR	3005992810000	5/2011
KR	3006052260000	7/2011
KR	3006060320000	7/2011
KR	3006063520000	7/2011
KR	3006067150000	7/2011
KR	3006067180000	7/2011
KR	3006067290000	7/2011
KR	3006067430000	7/2011
KR	3006067570000	7/2011
KR	3006076710000	8/2011

OTHER PUBLICATIONS

U.S. Appl. No. 29/393,944, Applicant: Yeon-Moo Chung, filed Jun. 10, 2011 entitled Speaker.
 U.S. Appl. No. 29/393,984, Applicant: Lee, et al., filed Jun. 10, 2011 entitled Speaker.
 U.S. Appl. No. 29/393,985, Applicant: Lee, et al., filed Jun. 10, 2011 entitled Speaker.
 U.S. Appl. No. 29/419,036, Applicant: Lee et al., filed Apr. 24, 2012 entitled Speaker.

* cited by examiner

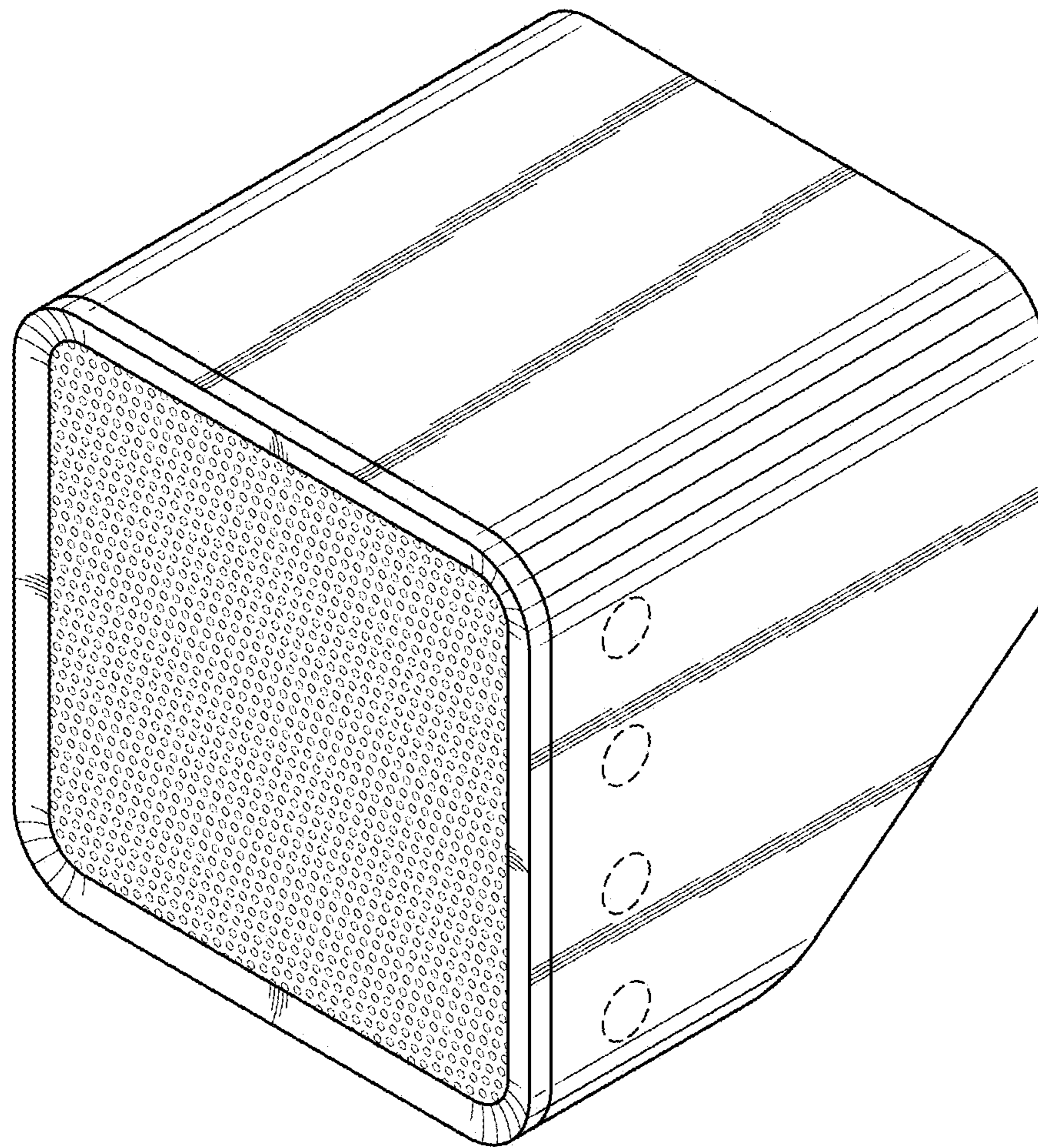


FIG.1

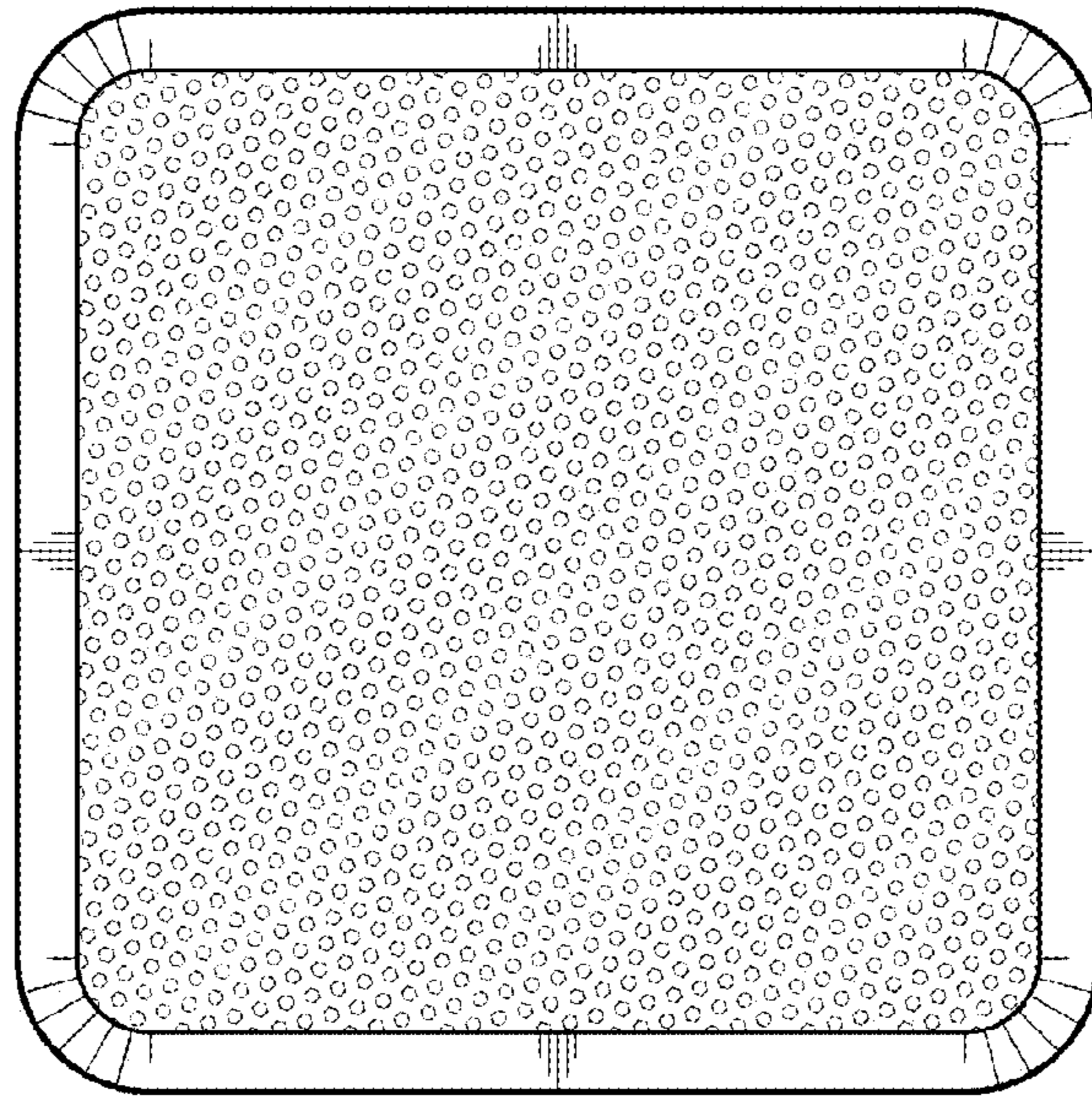


FIG. 2

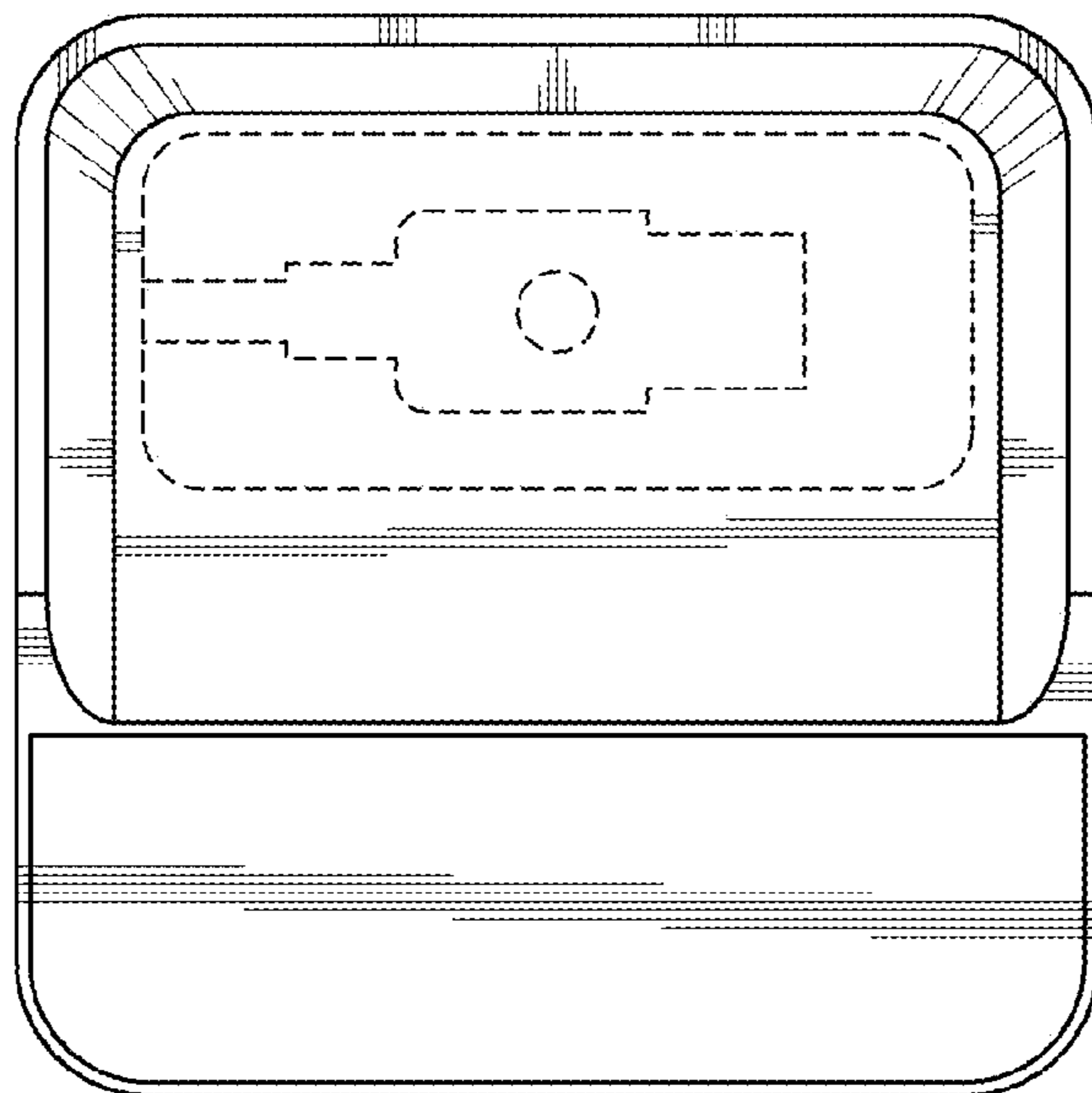


FIG. 3

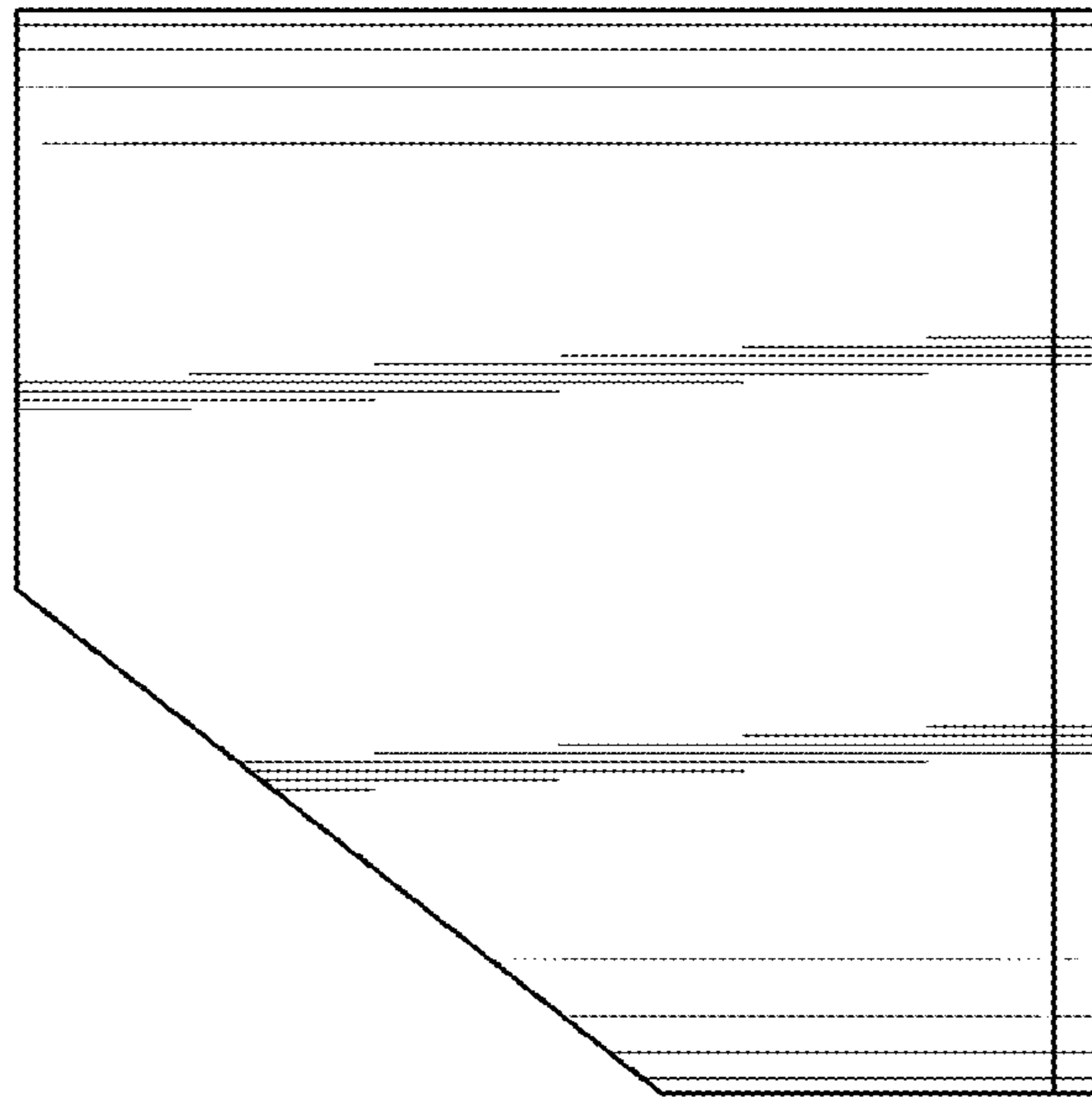


FIG. 4

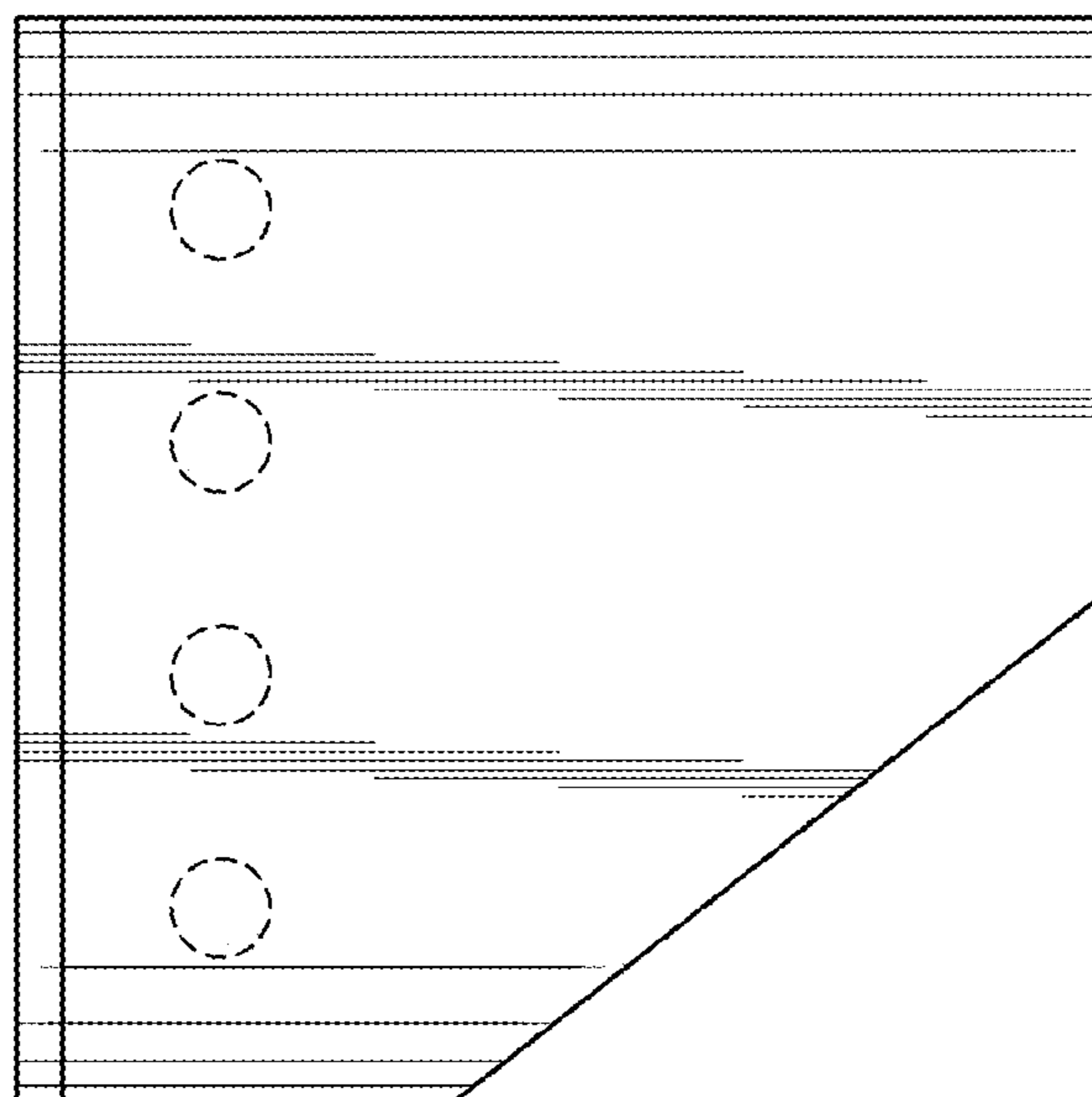


FIG. 5

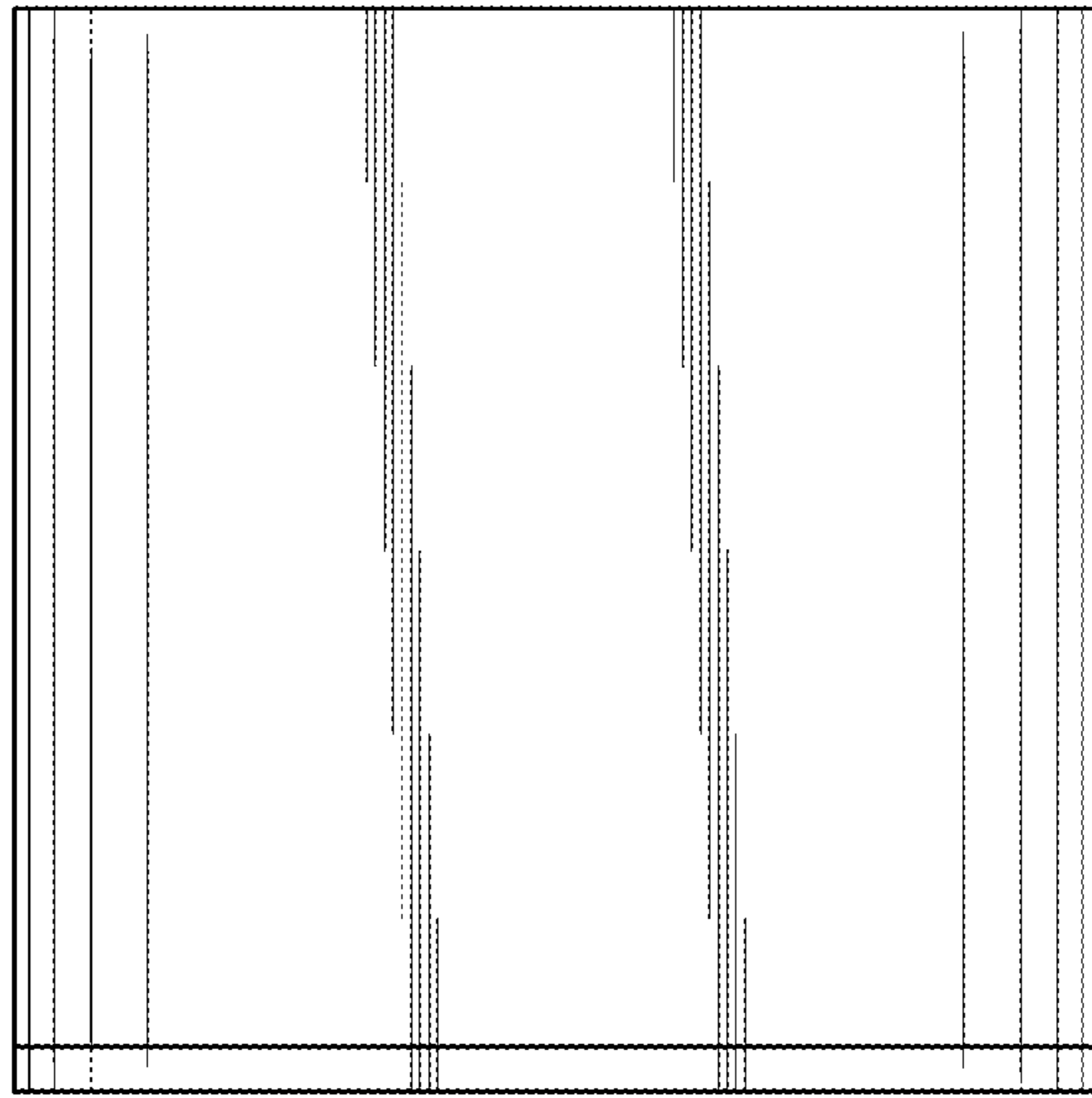


FIG. 6

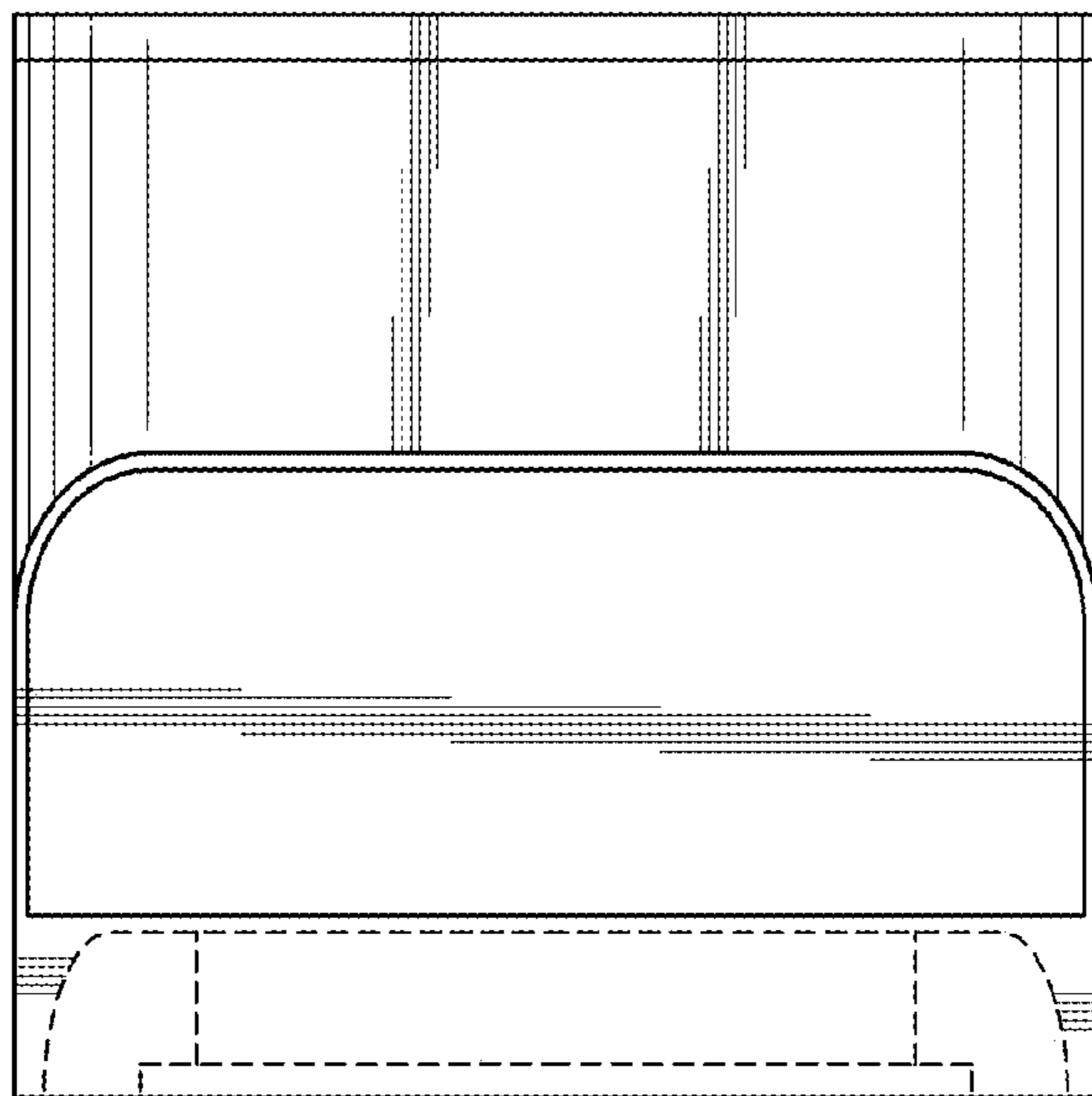


FIG. 7