



US00D718262S

(12) **United States Design Patent**  
**Ogiya et al.**

(10) **Patent No.:** **US D718,262 S**  
(45) **Date of Patent:** **\*\* Nov. 25, 2014**

(54) **DISPLAY TERMINAL**

(71) Applicant: **NEC Display Solutions, Ltd.**, Tokyo (JP)  
(72) Inventors: **Koji Ogiya**, Tokyo (JP); **Chin-Jen Lin**, Taipei (TW)  
(73) Assignee: **NEC Display Solutions, Ltd.**, Tokyo (JP)

(\*\*) Term: **14 Years**

(21) Appl. No.: **29/449,893**

(22) Filed: **Mar. 15, 2013**

(30) **Foreign Application Priority Data**

Sep. 26, 2012 (JP) ..... 2012-023282

(51) **LOC (10) Cl.** ..... **14-03**

(52) **U.S. Cl.**  
USPC ..... **D14/126**

(58) **Field of Classification Search**  
USPC ..... D14/126, 127, 128, 129, 239, 136, 341, D14/479, 389, 397, 308, 412, 157, 155, 511, D14/132, 371-375, 336, 337; 312/7.2; 348/836, 838, 180, 184, 325, 739; 341/12; 248/917-924, 465; 345/104, 345/133, 156, 168, 87, 173; 720/605, 600, 720/655; 455/347; 273/148 B; D27/126; D10/15, 26; D6/610, 300, 308; 361/679.05, 679.07, 679.21; 349/1, 2, 349/11, 62

See application file for complete search history.

(56) **References Cited**

U.S. PATENT DOCUMENTS

D605,614 S *	12/2009	Lee et al. ....	D14/126
D609,201 S *	2/2010	Olivet .....	D14/126
D615,938 S *	5/2010	Song et al. ....	D14/126
D641,328 S *	7/2011	Lee et al. ....	D14/126
D654,446 S *	2/2012	Choi et al. ....	D14/126
D664,940 S *	8/2012	Kim et al. ....	D14/129
D685,337 S *	7/2013	Lee .....	D14/126
D697,884 S *	1/2014	Lee .....	D14/126

\* cited by examiner

*Primary Examiner* — Robert M Spear

*Assistant Examiner* — Eliza Bennett-Hattan

(74) *Attorney, Agent, or Firm* — Sughrue Mion, PLLC

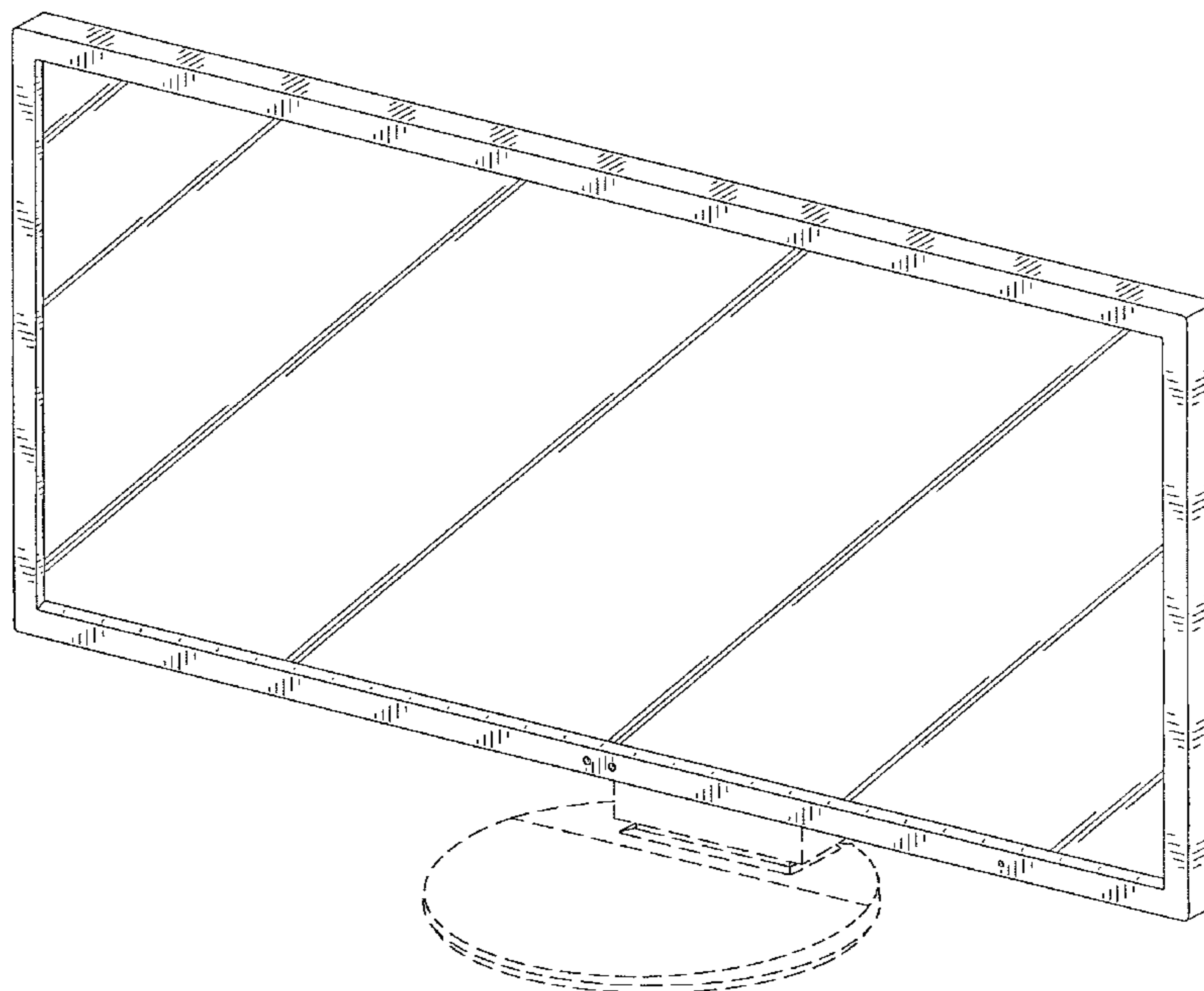
(57) **CLAIM**

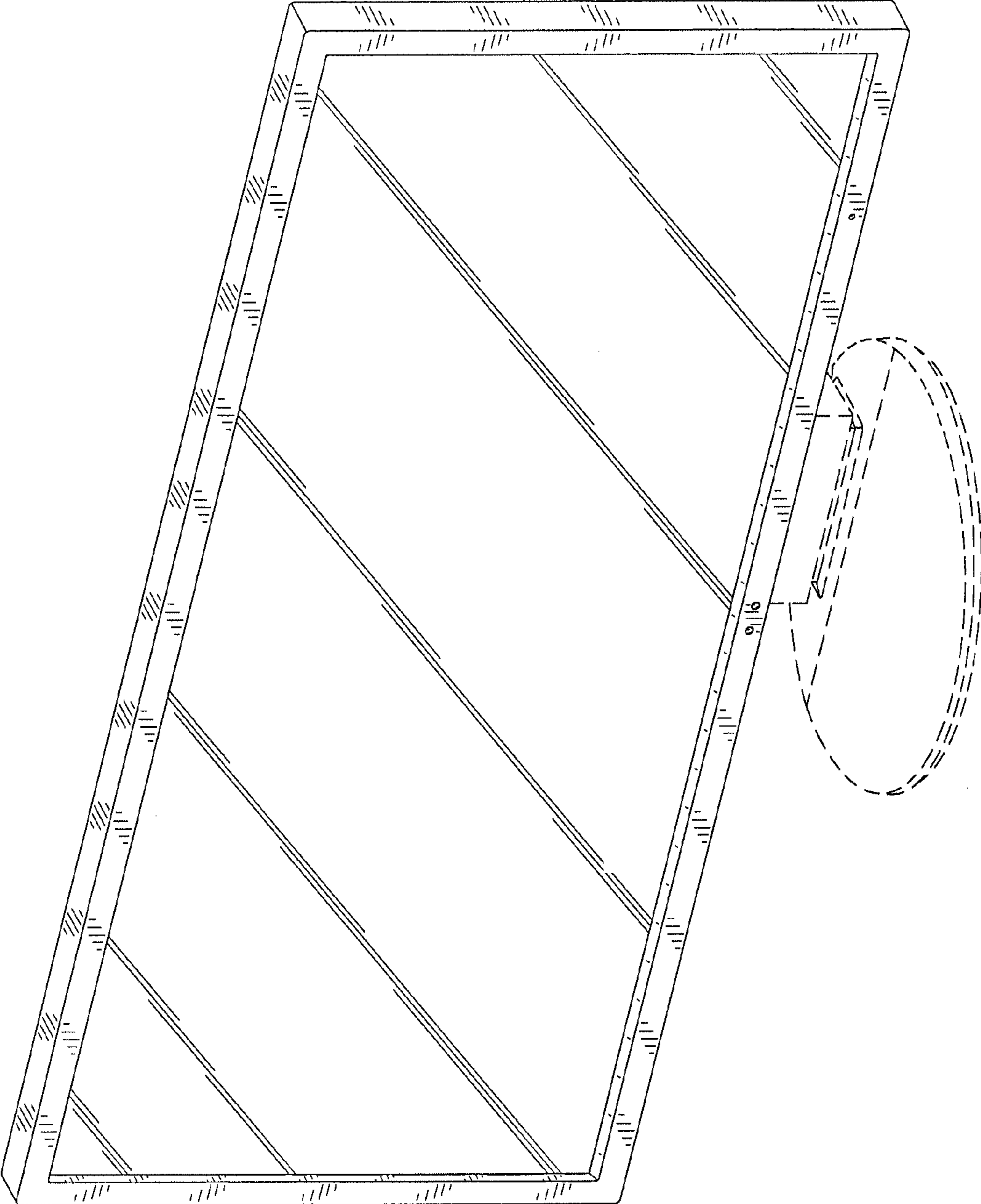
The ornamental design for a display terminal, as shown and described.

**DESCRIPTION**

FIG. 1 is a front, right side, top perspective view of a display terminal showing our new design; FIG. 2 is a front elevational view thereof; FIG. 3 is a rear elevational view thereof; FIG. 4 is a left side view thereof; FIG. 5 is a right side view thereof; FIG. 6 is a top plan view thereof; FIG. 7 is a bottom plan view thereof; and, FIG. 8 is a rear, left side, top perspective view thereof. The portions in broken lines are shown for illustrative purposes only and form no part of the claimed design.

**1 Claim, 7 Drawing Sheets**





**FIG. 1**

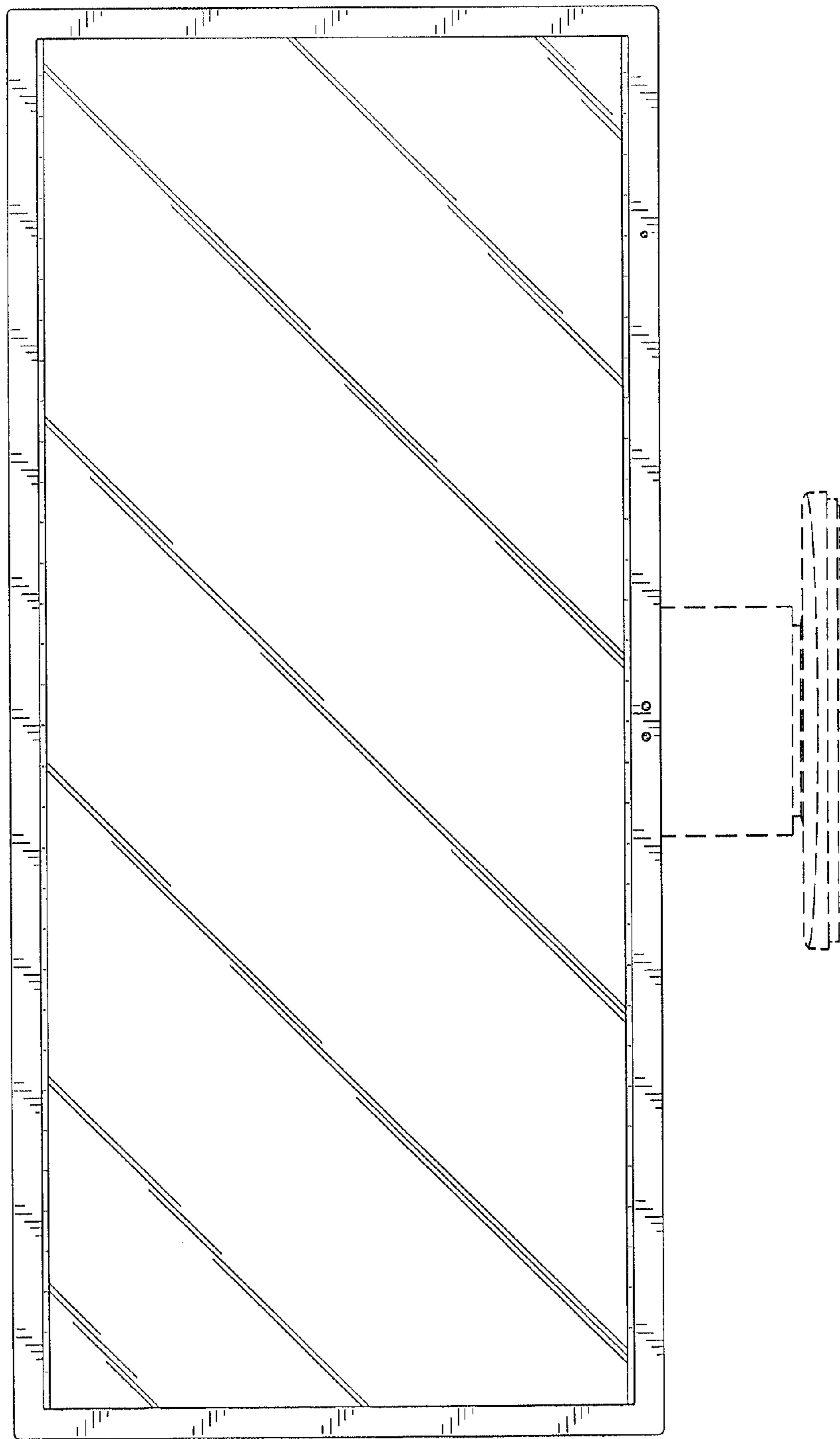


FIG. 2

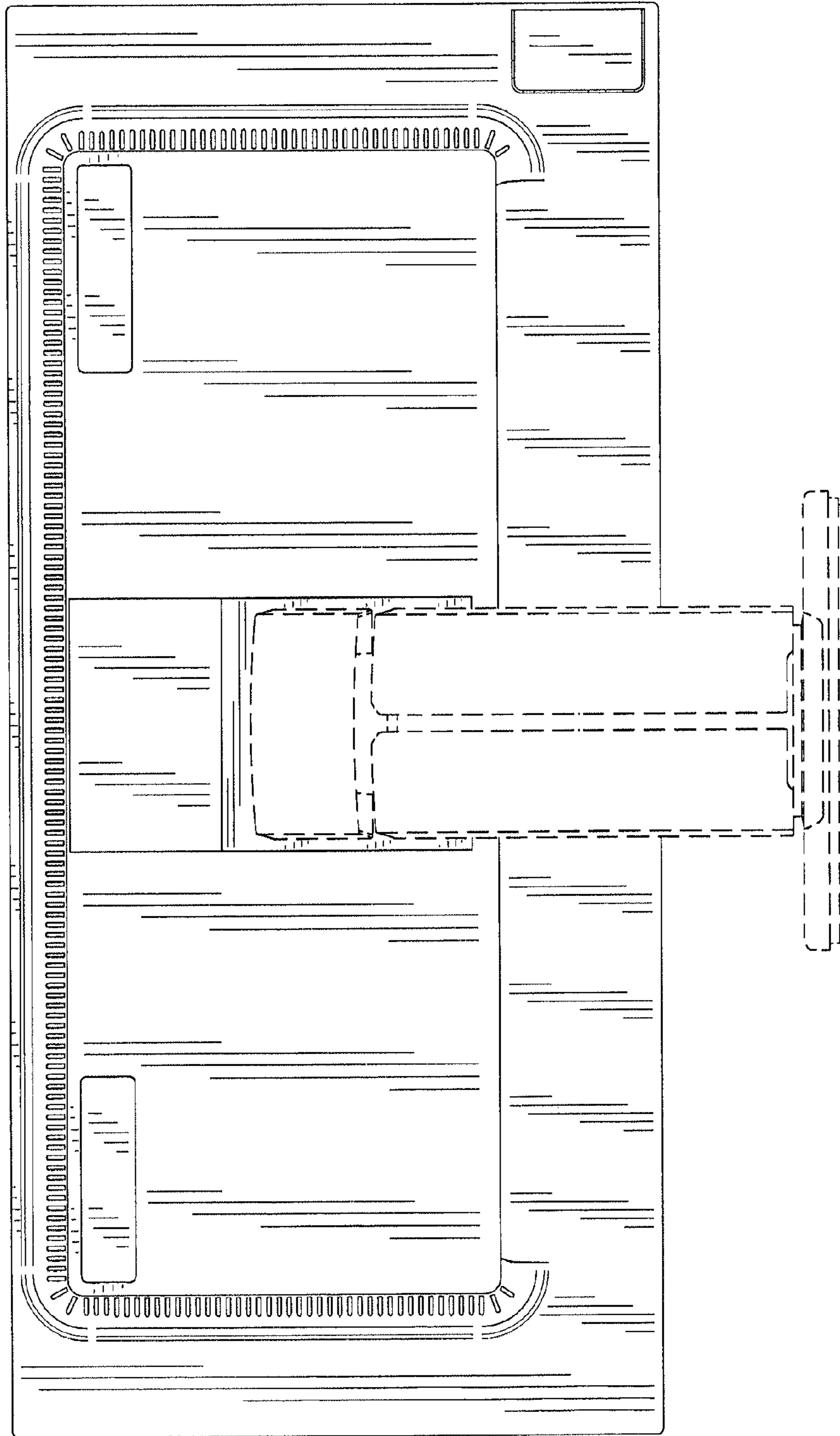


FIG. 3

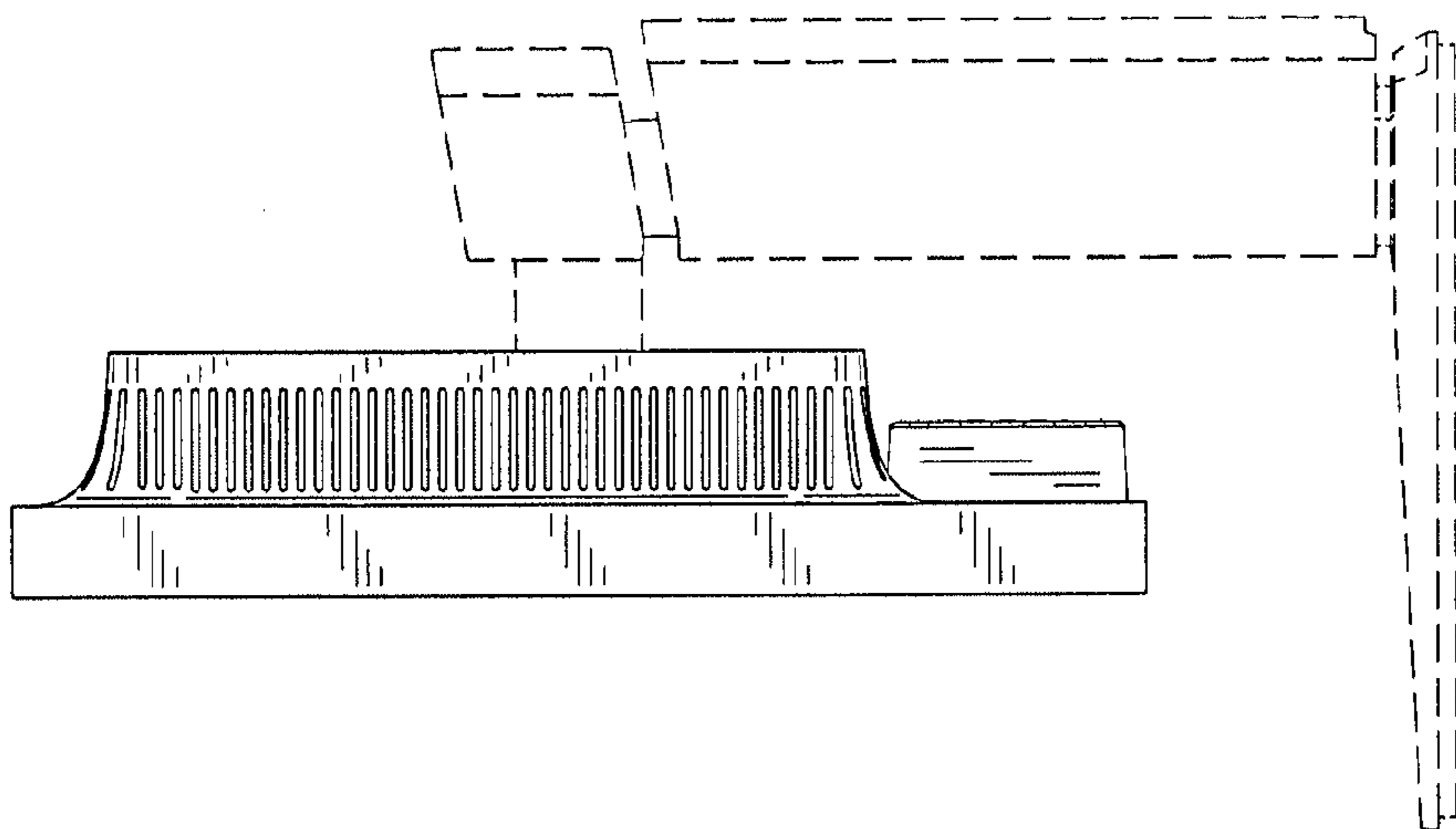


FIG. 5

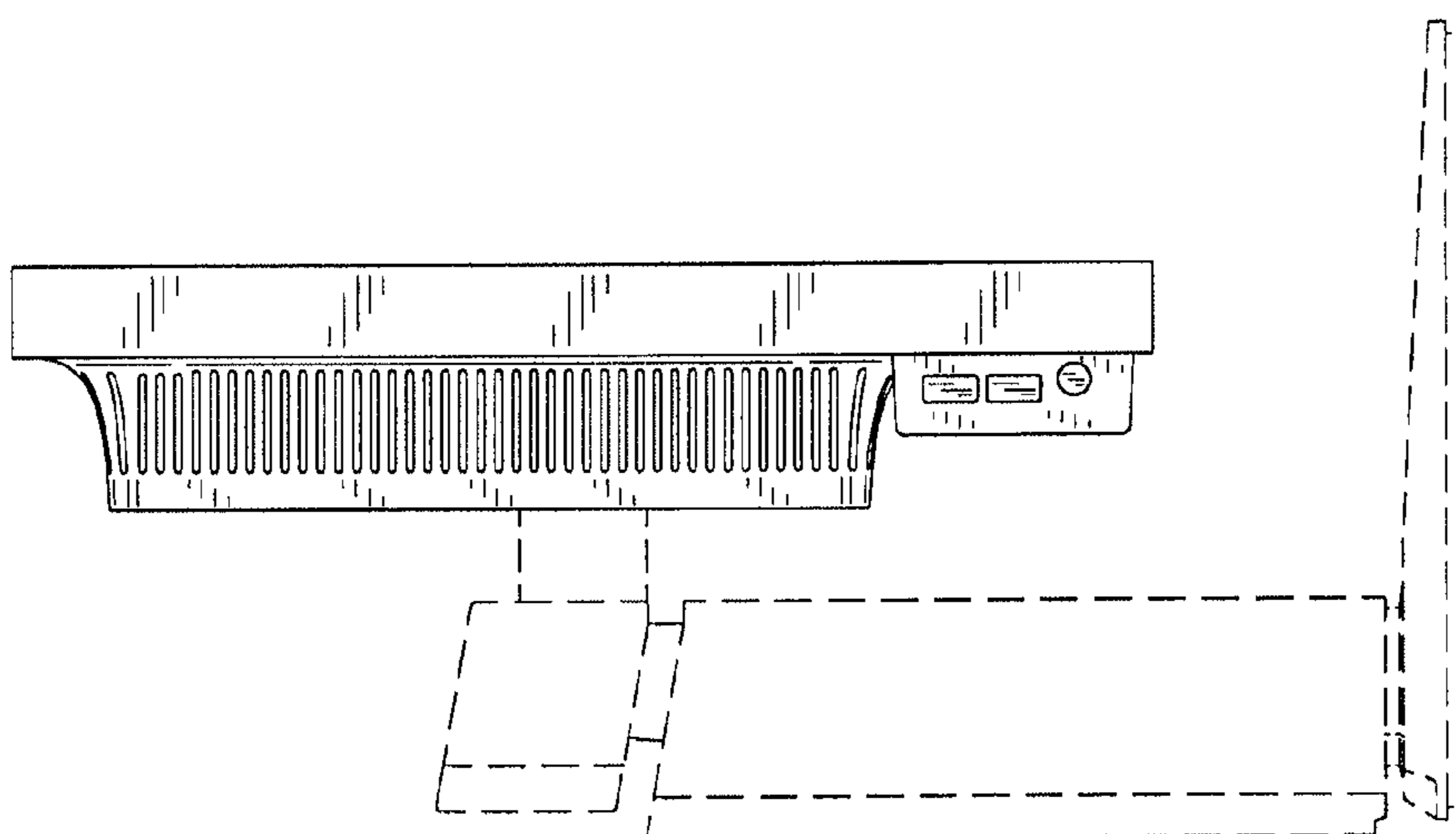


FIG. 4

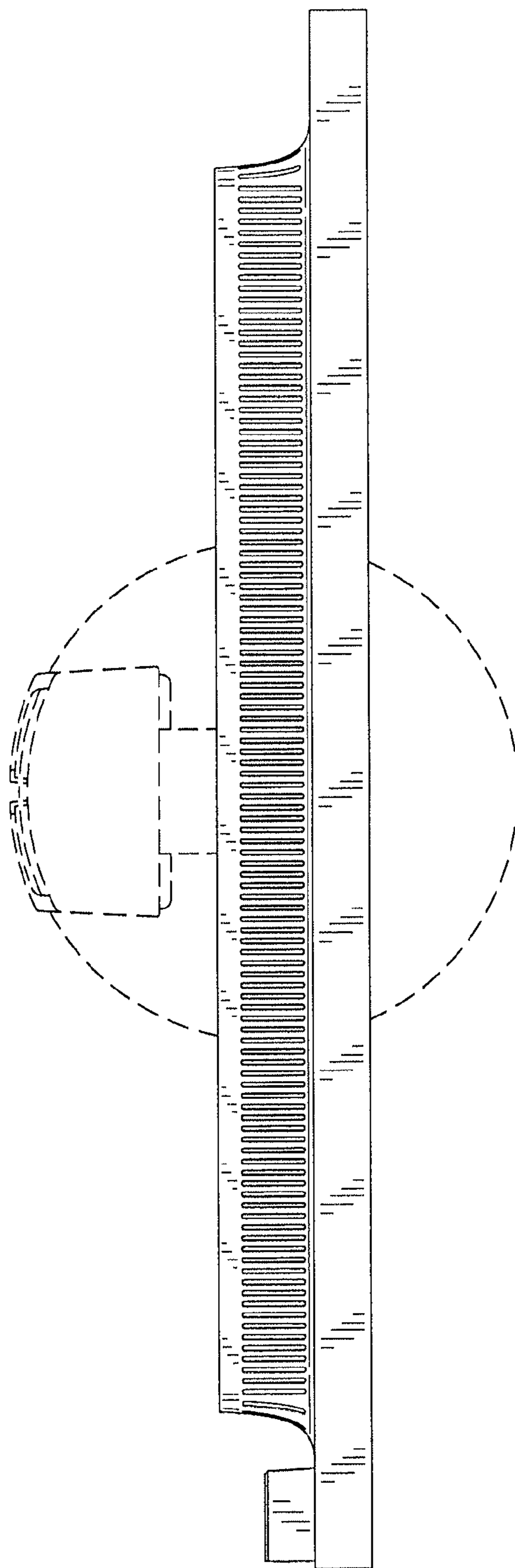


FIG. 6

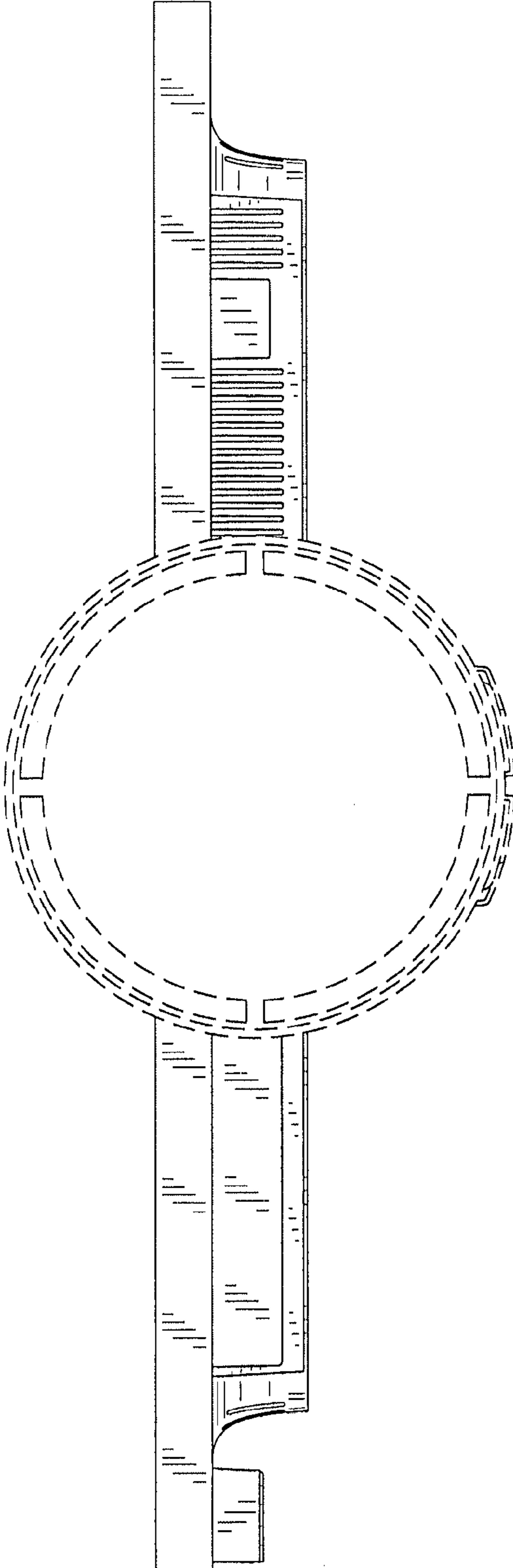


FIG. 7

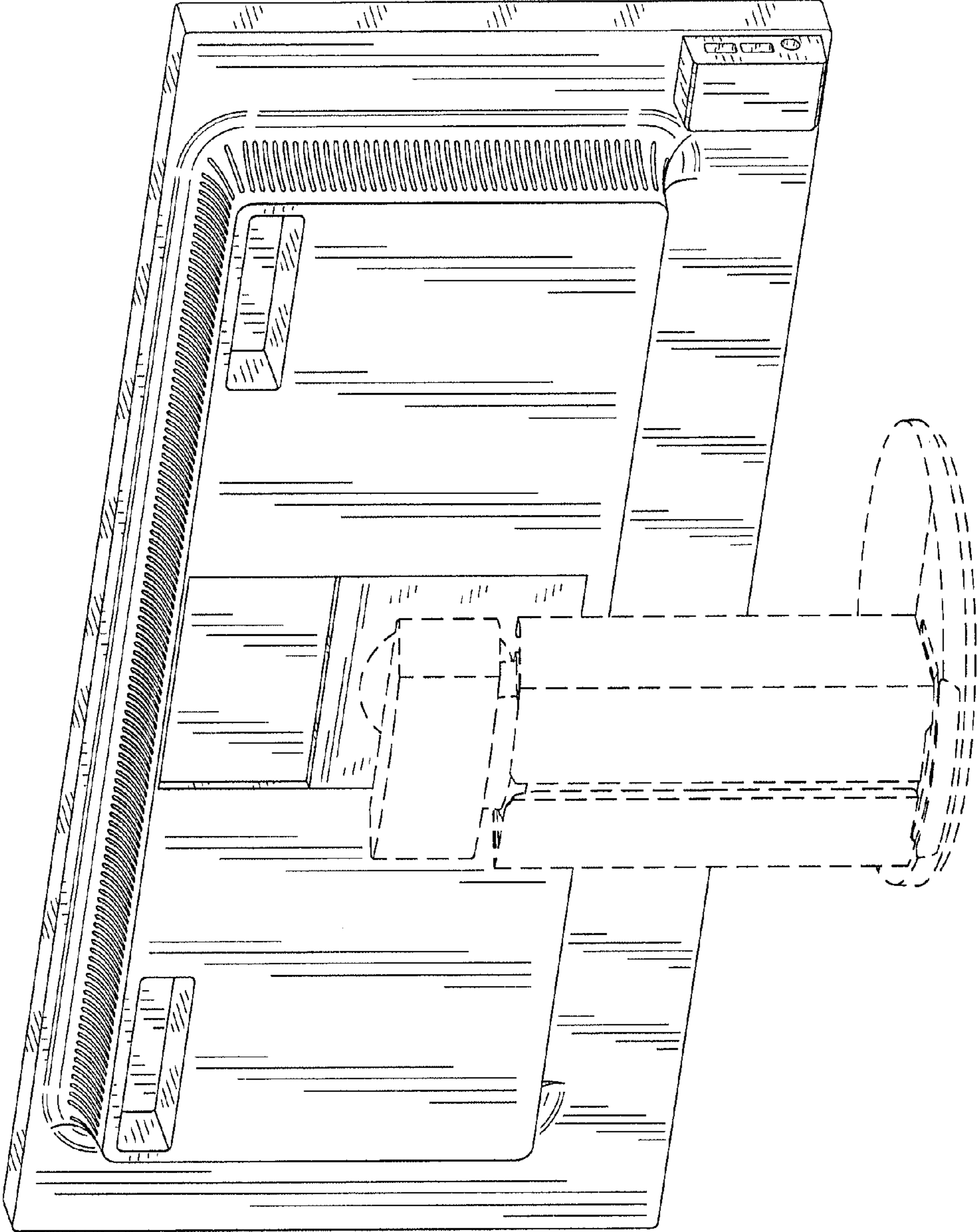


FIG. 8