



US00D718259S

(12) **United States Design Patent**  
**Chen et al.**

(10) **Patent No.:** **US D718,259 S**

(45) **Date of Patent:** **\*\* Nov. 25, 2014**

(54) **LIGHT-EMITTING DIODE DEVICE**

(71) Applicant: **Epistar Corporation**, Hsinchu (TW)

(72) Inventors: **Chao Hsing Chen**, Hsinchu (TW); **Tsun Kai Ko**, Hsinchu (TW); **Chien Fu Shen**, Hsinchu (TW); **Jia Kuen Wang**, Hsinchu (TW); **Hung Che Chen**, Hsinchu (TW); **Chun Teng Ko**, Hsinchu (TW); **Chien Chih Liao**, Hsinchu (TW)

(73) Assignee: **Epistar Corporation**, Hsinchu (TW)

(\*\*) Term: **14 Years**

(21) Appl. No.: **29/464,136**

(22) Filed: **Aug. 13, 2013**

(51) **LOC (10) Cl.** ..... **13-03**

(52) **U.S. Cl.**  
USPC ..... **D13/180**

(58) **Field of Classification Search**  
USPC ..... D13/180; D26/1; 257/79, 80, 81, 88,  
257/89, 95, 98, 99, 100, E33.058; 313/483,  
313/498, 500; 362/555, 800  
See application file for complete search history.

(56) **References Cited**

**U.S. PATENT DOCUMENTS**

D579,019	S	*	10/2008	Lei et al.	.....	D14/435
D648,287	S	*	11/2011	Hsu et al.	.....	D13/180
D656,908	S	*	4/2012	Hsu et al.	.....	D13/180
8,188,504	B2	*	5/2012	Lee	.....	257/99
D672,731	S	*	12/2012	Bergmann et al.	.....	D13/180
D681,569	S	*	5/2013	Yeh et al.	.....	D13/180
D682,225	S	*	5/2013	Bergmann et al.	.....	D13/180
D687,396	S	*	8/2013	Chen et al.	.....	D13/180

D697,490	S	*	1/2014	Yeh et al.	.....	D13/180
2006/0163604	A1	*	7/2006	Shin et al.	.....	257/103
2014/0034901	A1	*	2/2014	Moon	.....	257/13

\* cited by examiner

*Primary Examiner* — Selina Sikder

(74) *Attorney, Agent, or Firm* — Muncy, Geissler, Olds & Lowe, P.C.

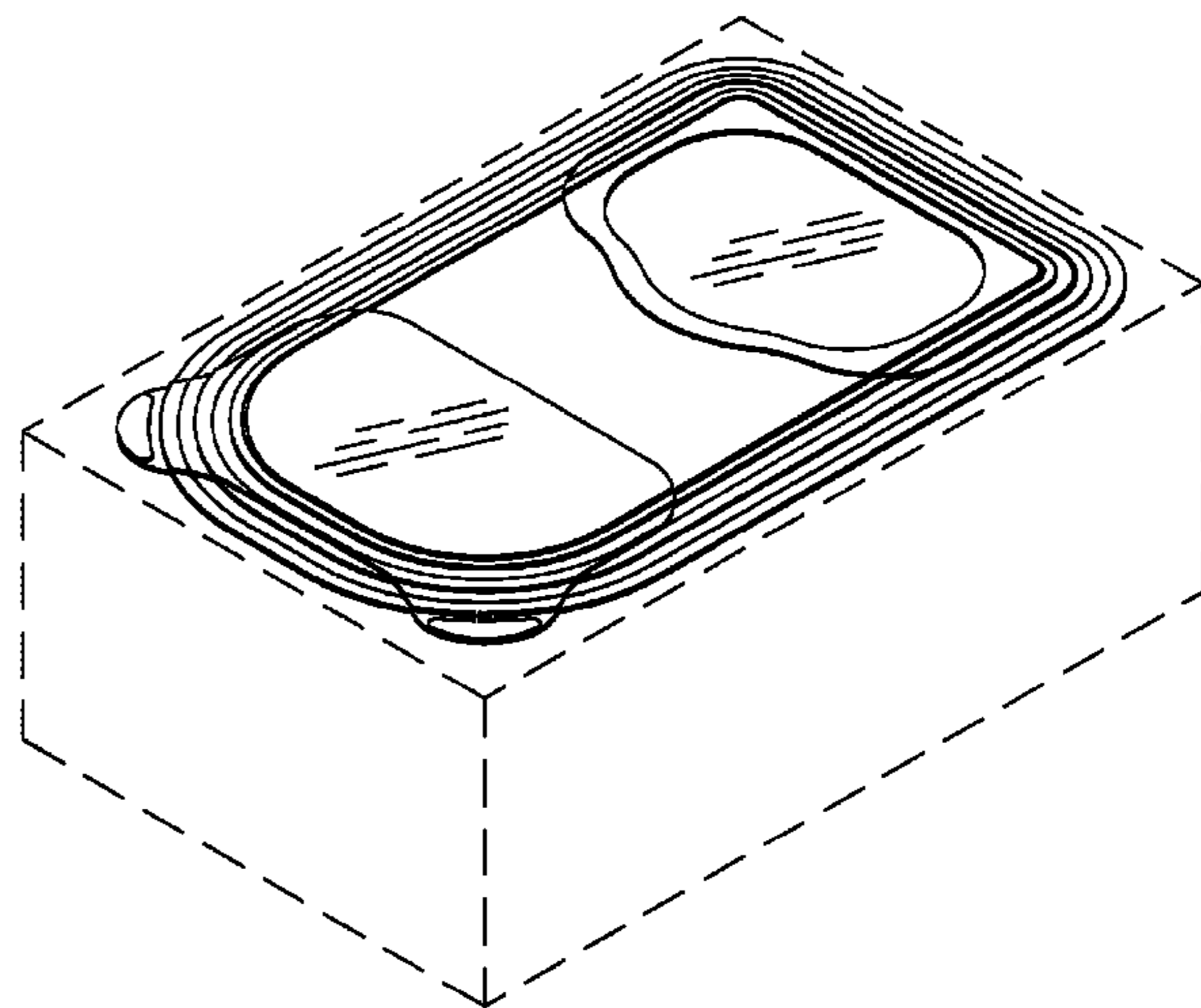
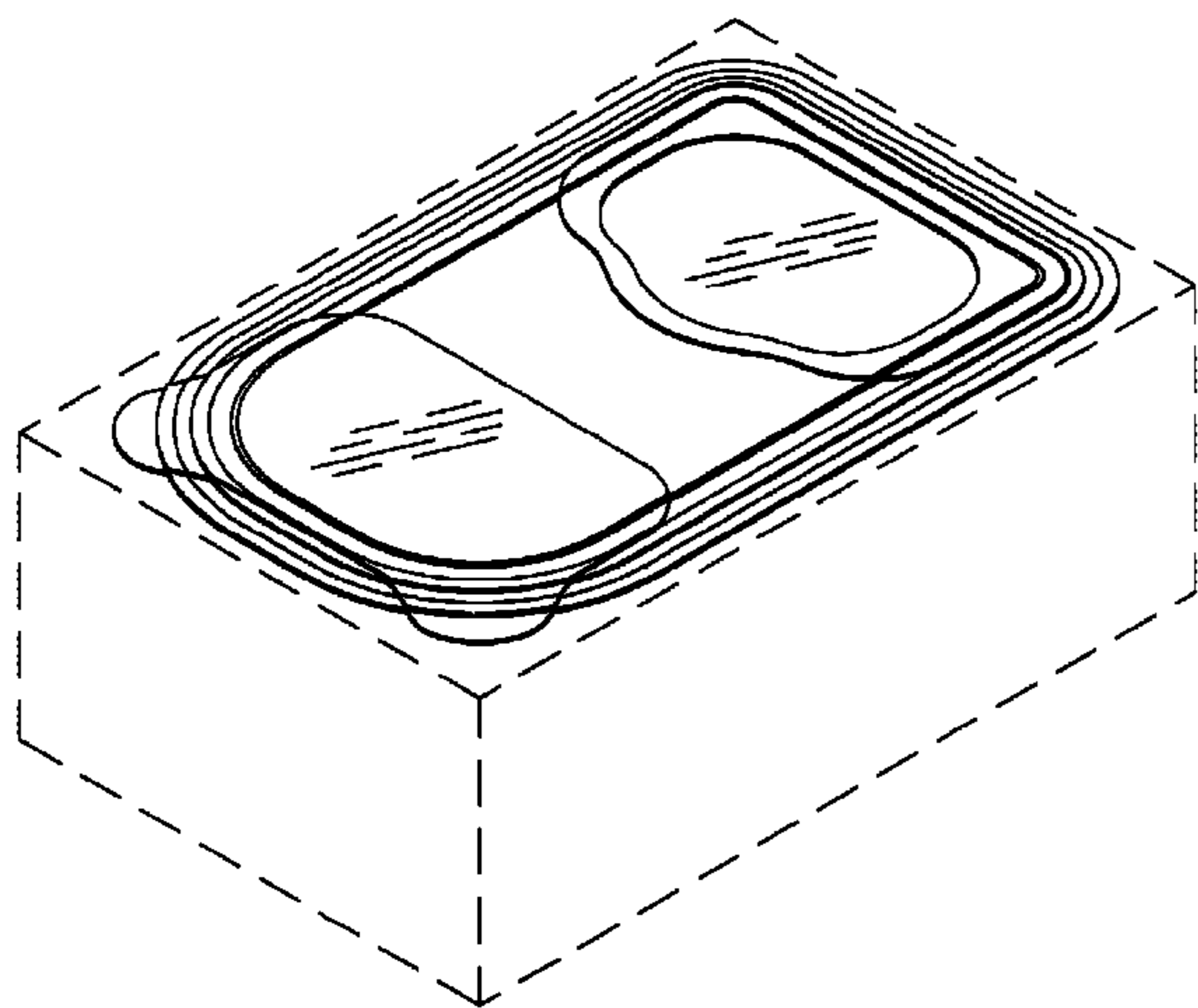
(57) **CLAIM**

The ornamental design for a light-emitting diode device, as shown and described.

**DESCRIPTION**

FIG. 1 is a perspective view of a light-emitting diode device showing our first example of the new design; FIG. 2 is another perspective view thereof; FIG. 3 is a front elevational view thereof; FIG. 4 is a rear elevational view thereof; FIG. 5 is a left side view thereof; FIG. 6 is a right side view thereof; FIG. 7 is a top plan view thereof; FIG. 8 is a bottom plan view thereof; FIG. 9 is a perspective view of a light-emitting diode device showing our second example of the new design; FIG. 10 is another perspective view thereof; FIG. 11 is a front elevational view thereof; FIG. 12 is a rear elevational view thereof; FIG. 13 is a left side view thereof; FIG. 14 is a right side view thereof; FIG. 15 is a top plan view thereof; and, FIG. 16 is a bottom plan view thereof. The broken line showing is for the purpose of illustrating environmental structure only and forms no part of the claimed design.

**1 Claim, 12 Drawing Sheets**



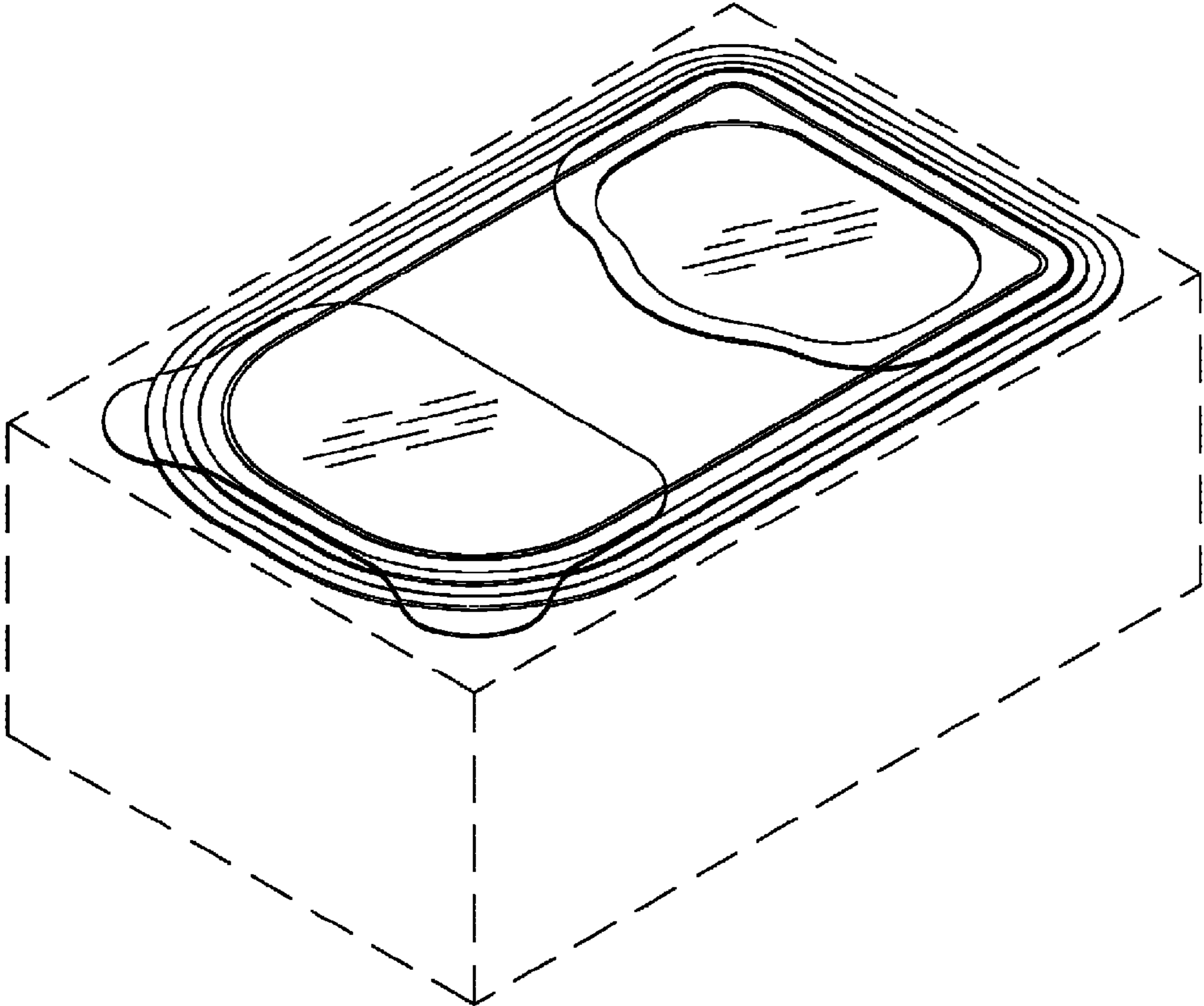


FIG.1

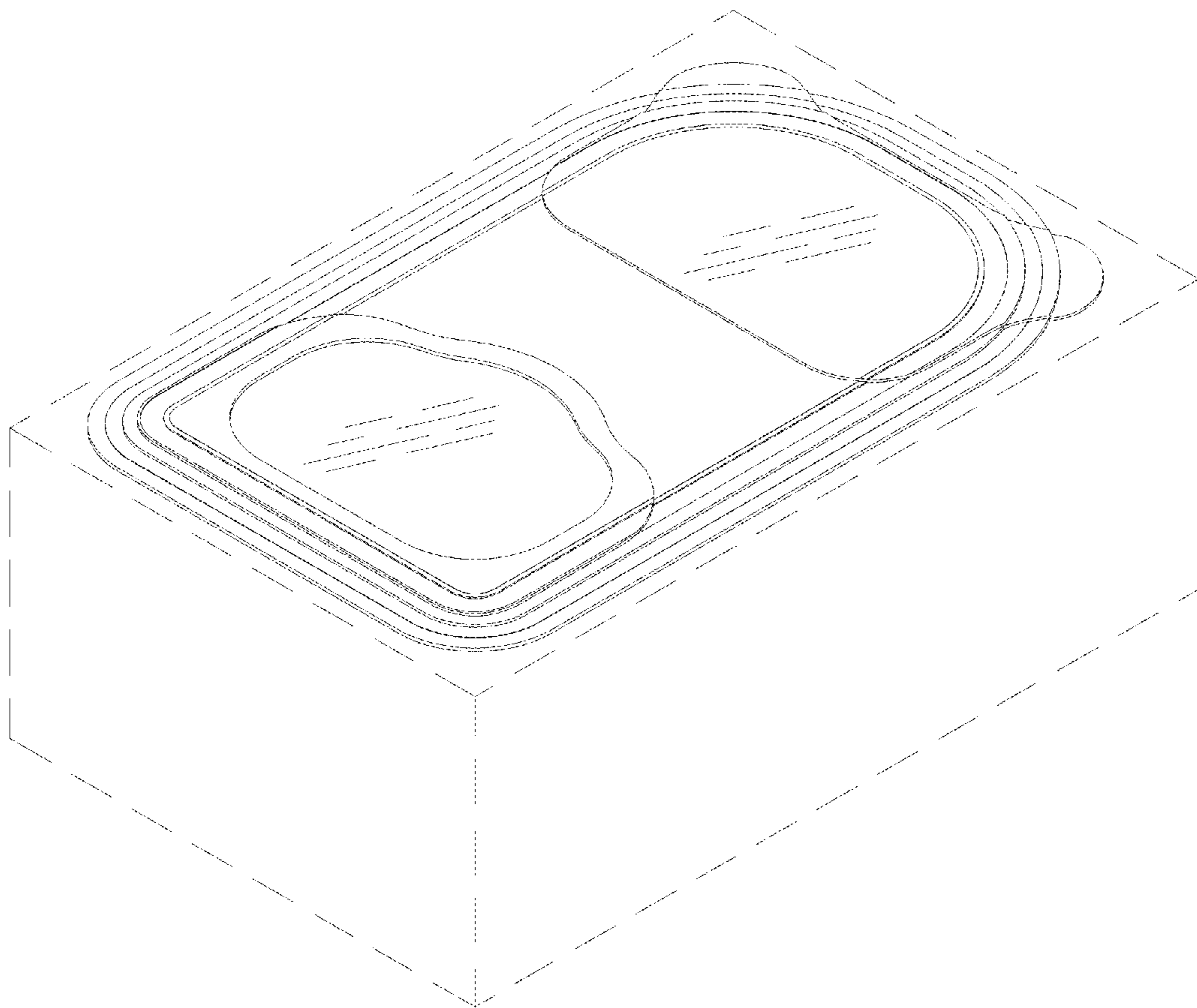


FIG.2

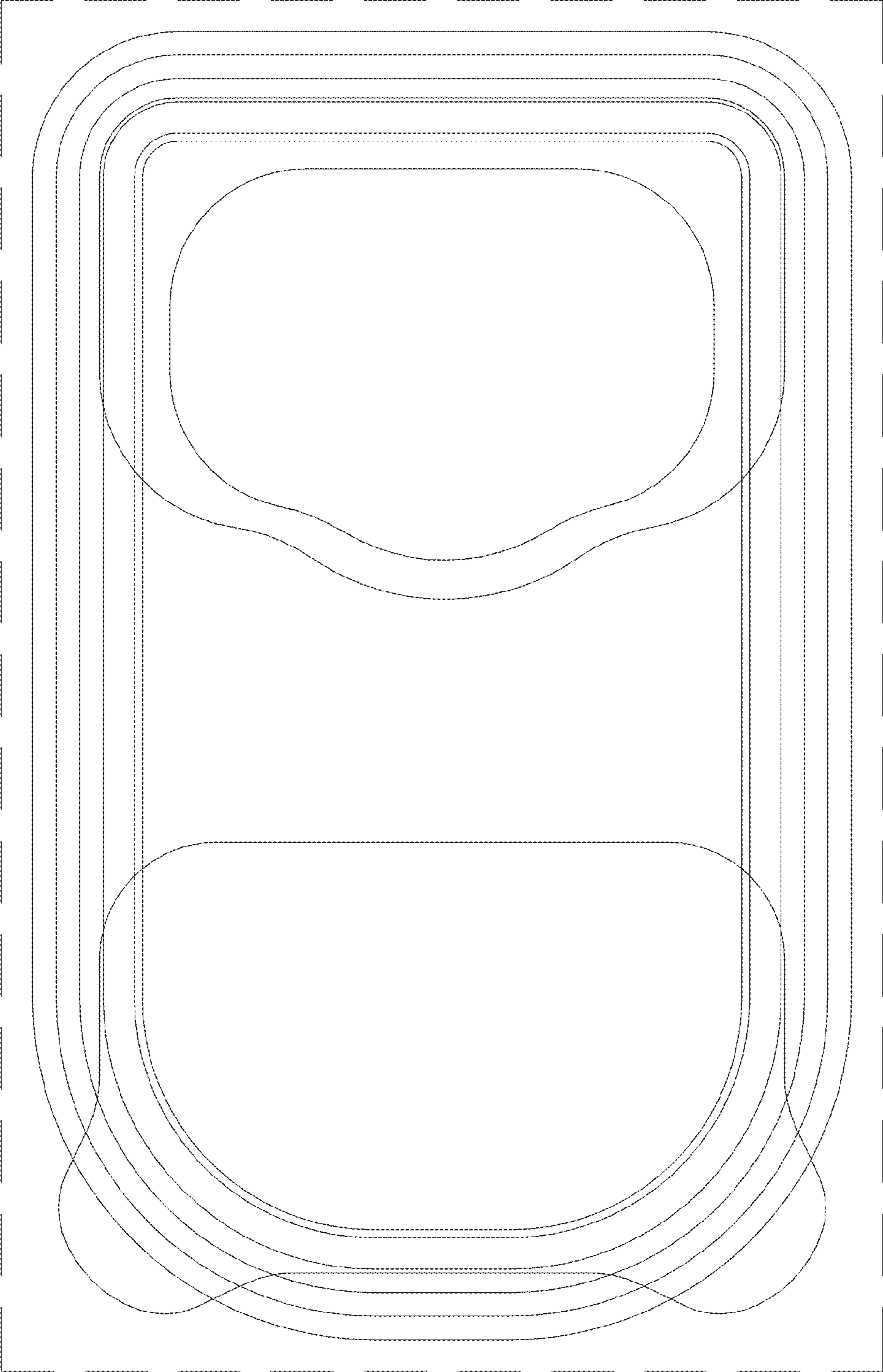
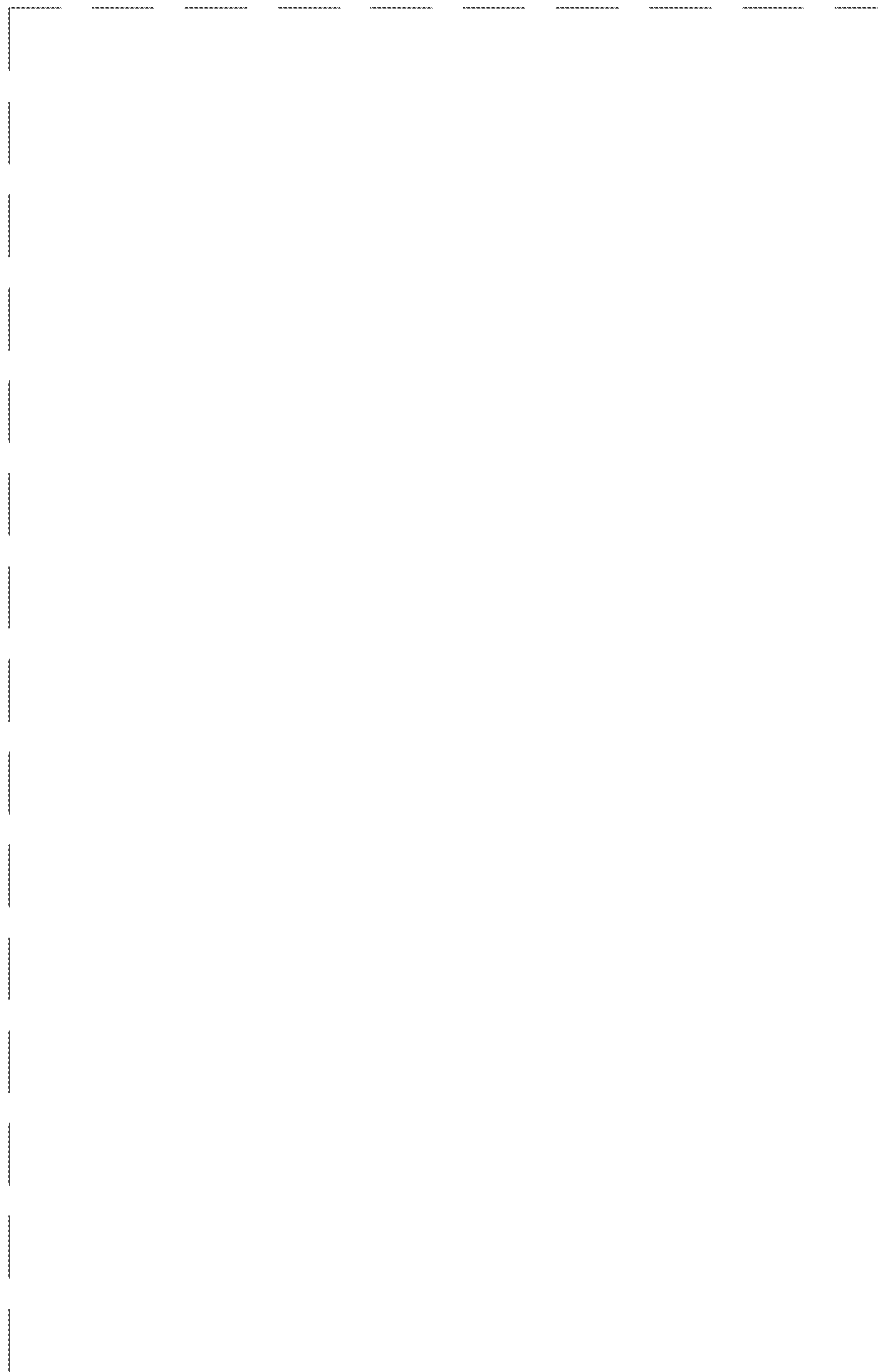


FIG.3



**FIG.4**

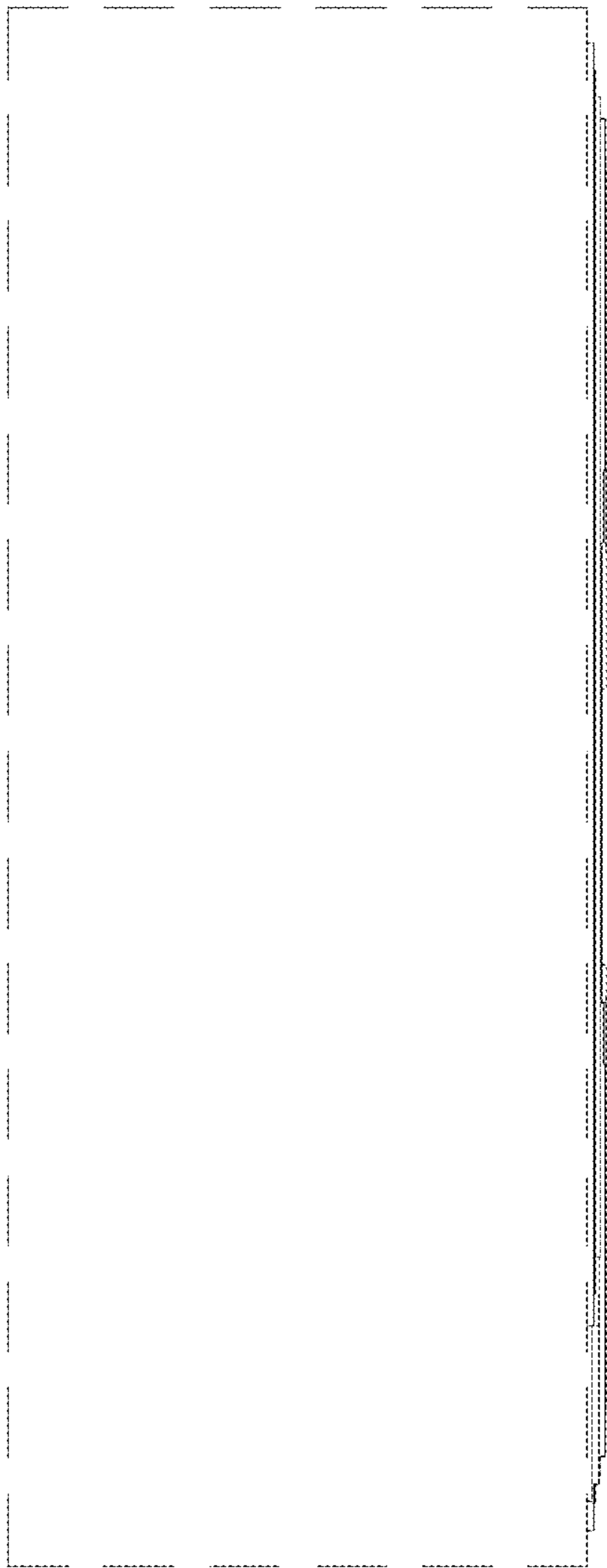


FIG.5



FIG.6



FIG. 7

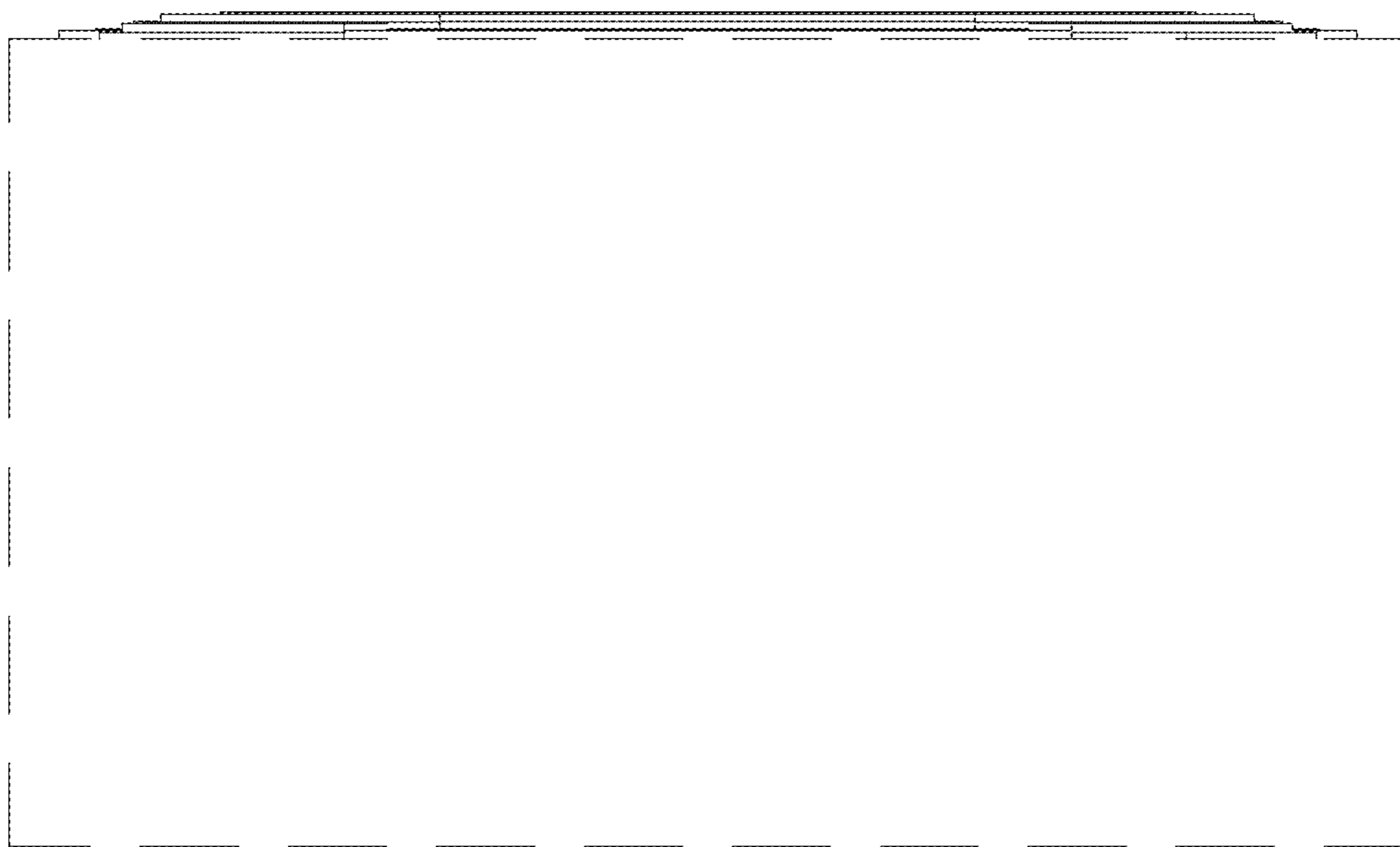


FIG. 8

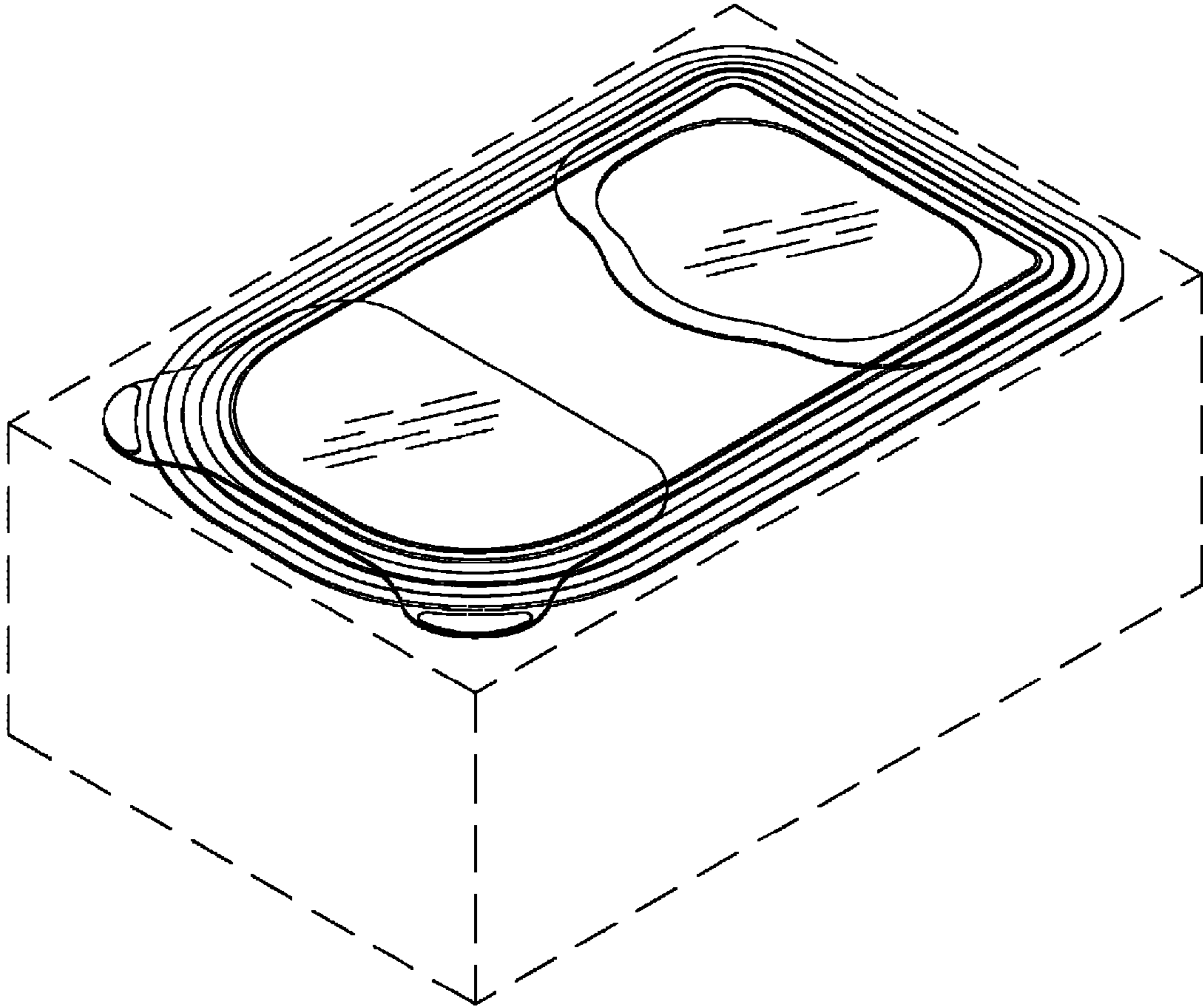


FIG.9



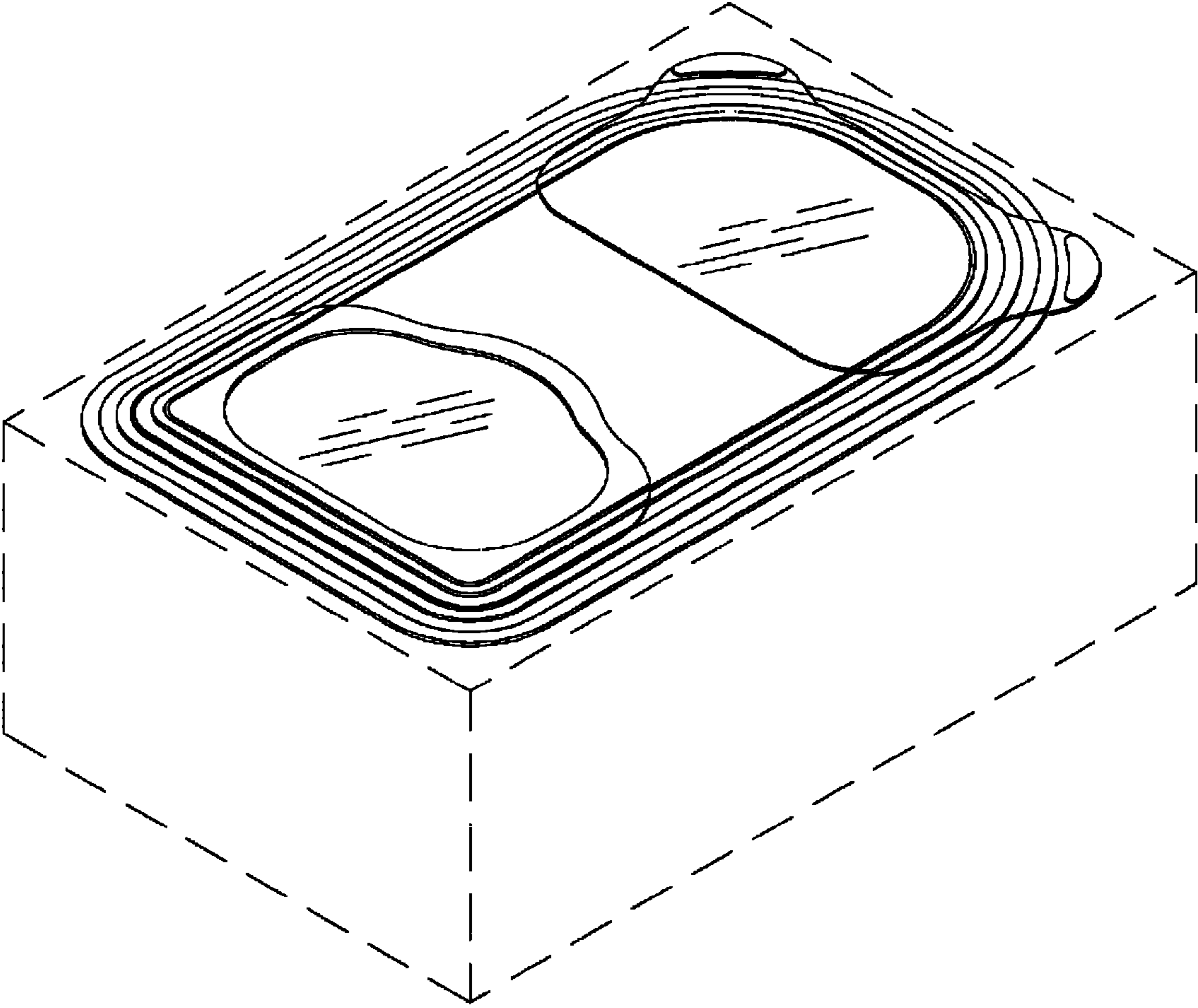


FIG.10

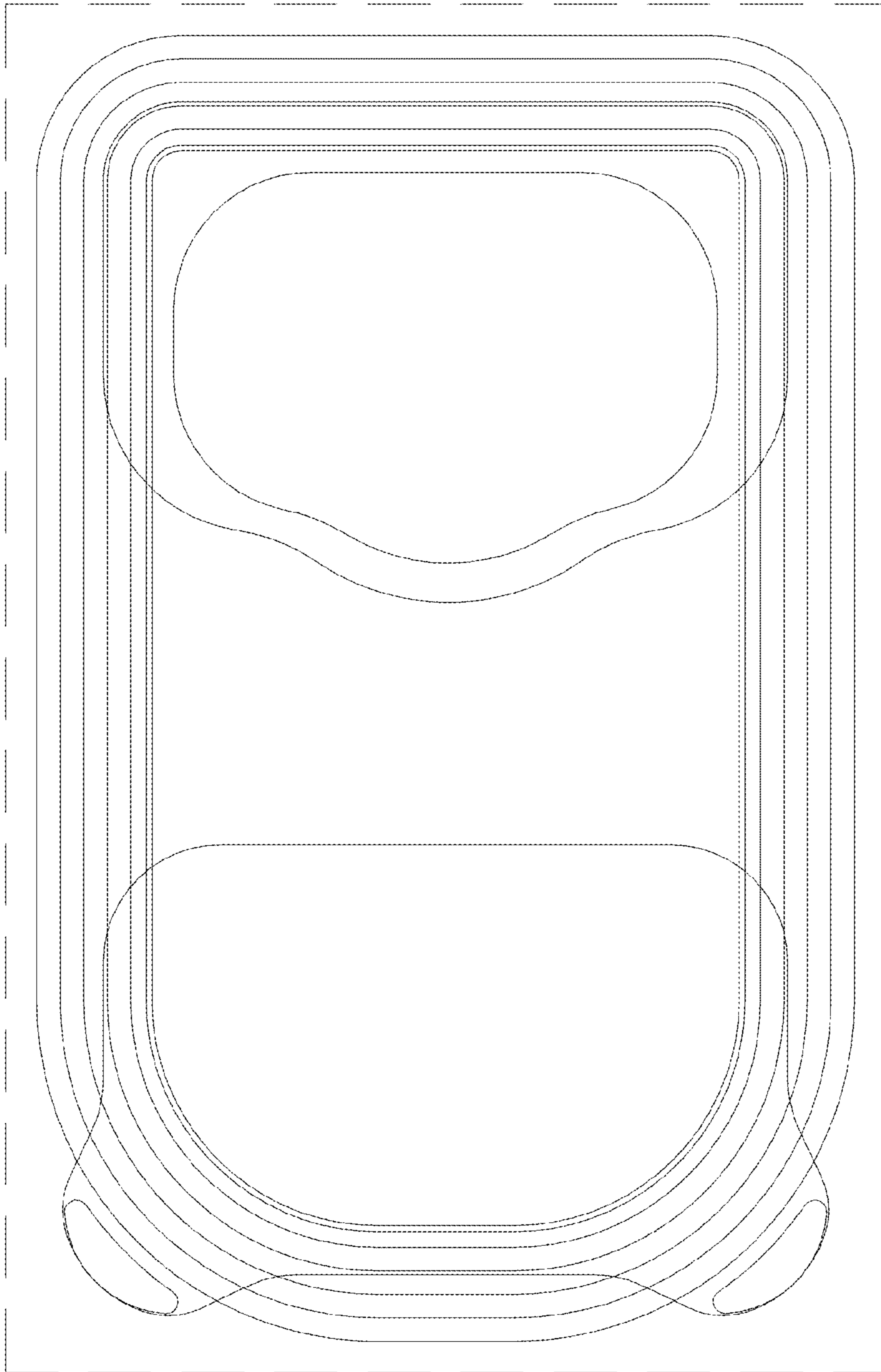


FIG. 11



**FIG.12**

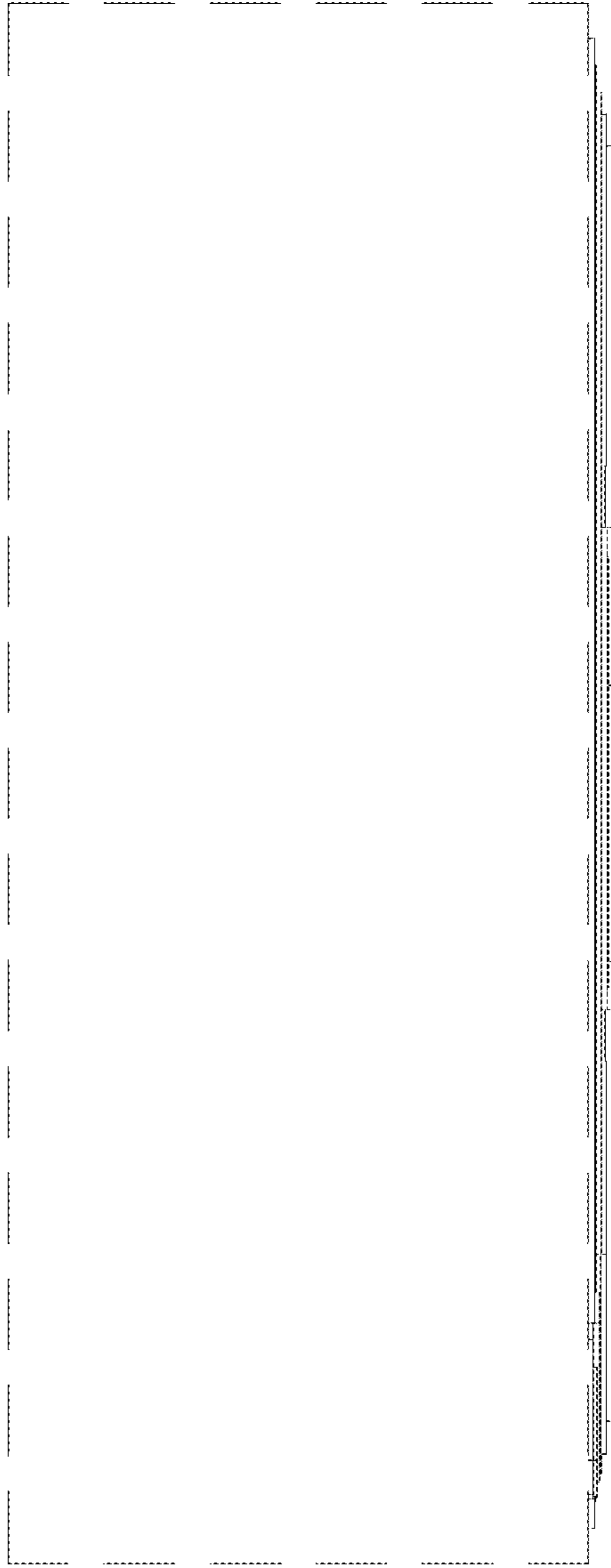


FIG.13

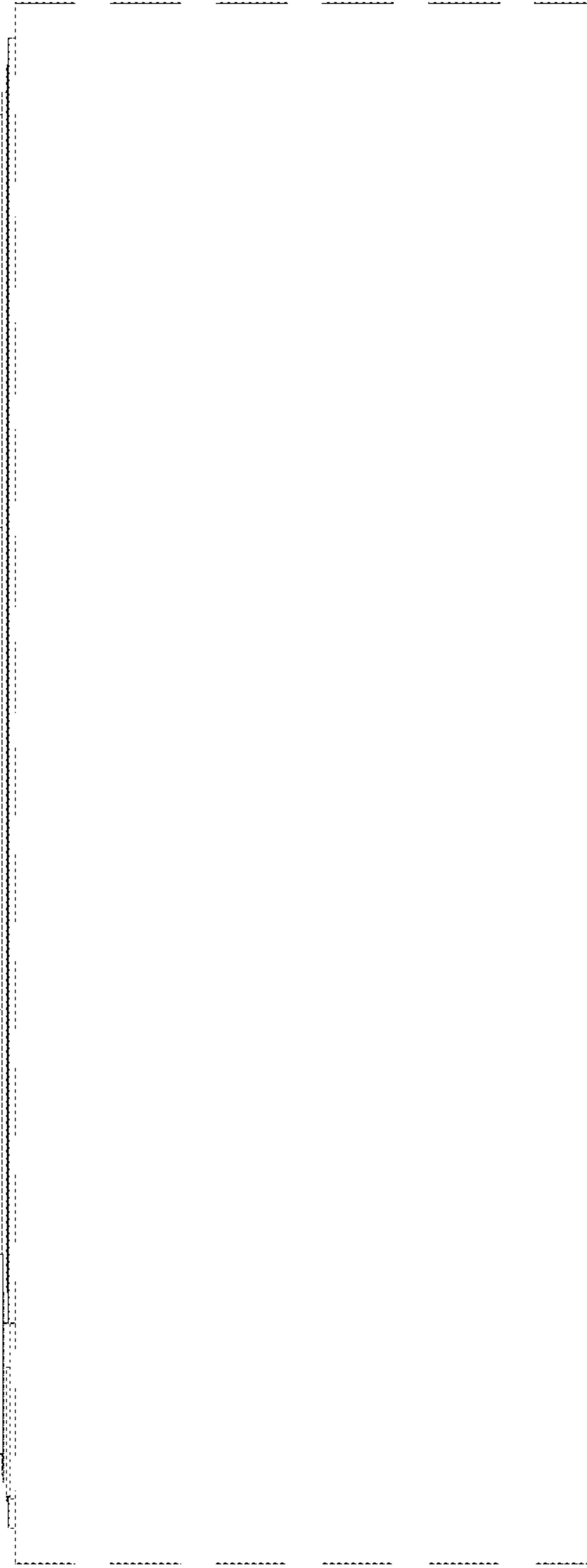


FIG.14

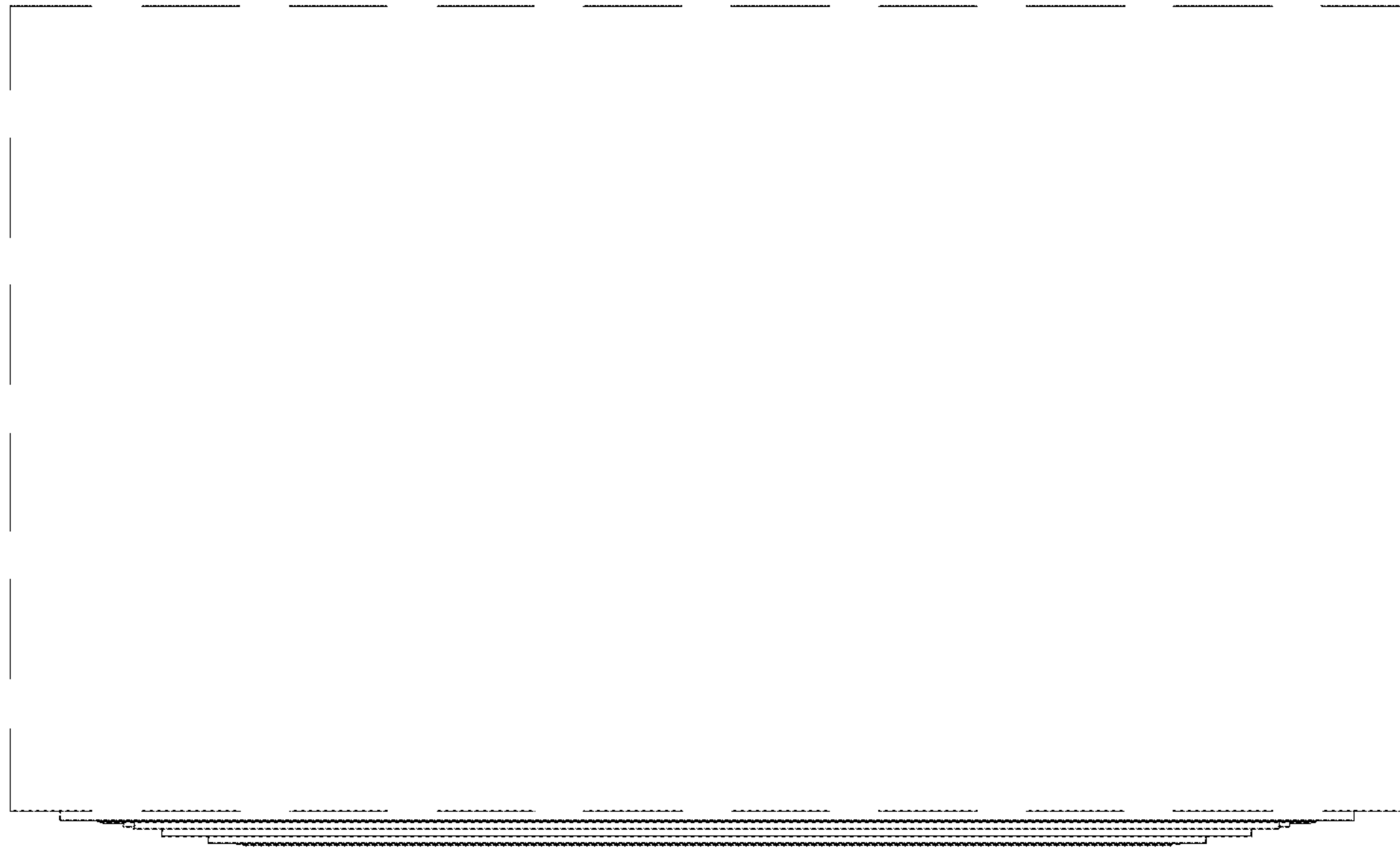


FIG. 15

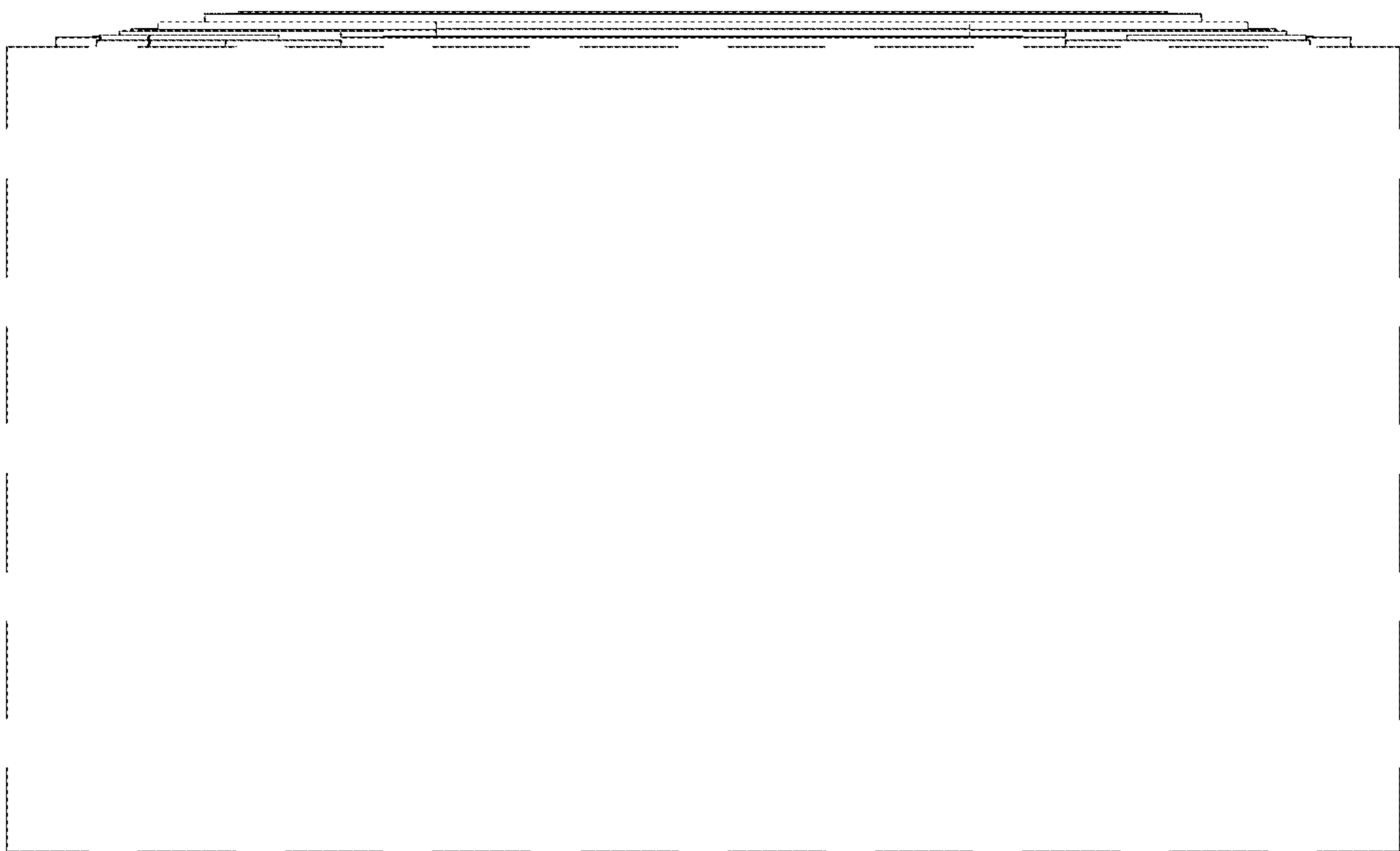


FIG. 16