



US00D718258S

(12) **United States Design Patent**  
**Lowes et al.**

(10) **Patent No.:** **US D718,258 S**  
(45) **Date of Patent:** **\*\* Nov. 25, 2014**

(54) **LED PACKAGE**

(75) Inventors: **Theodore Lowes**, Lompoc, CA (US); **Eric J. Tarsa**, Goleta, CA (US); **Sten Heikman**, Goleta, CA (US); **Bernd Keller**, Santa Barbara, CA (US); **John A. Edmond**, Durham, NC (US); **Jesse Reiherzer**, Wake Forest, NC (US); **Hormoz Benjamin**, Moorpark, CA (US); **Christopher P. Hussell**, Cary, NC (US)

(73) Assignee: **Cree, Inc.**, Durham, NC (US)

(\*\*) Term: **14 Years**

(21) Appl. No.: **29/431,064**

(22) Filed: **Sep. 2, 2012**

(51) **LOC (10) Cl.** ..... **13-03**

(52) **U.S. Cl.**  
USPC ..... **D13/180**

(58) **Field of Classification Search**  
USPC ..... D9/346, 414-418, 424, 425, 423, 428, D9/429, 431-436, 445, 452-454, 499, 500, D9/504, 516, 519, 522, 529, 535, 537, 545, D9/551, 571, 672, 675, 702, 711, 715, 721, D9/722, 737, 748, 759, 740, 743, 745, 749, D9/756, 718, 713, 712, 546, 1; 206/769, 206/773, 775-778, 395, 397-398, 223, 736, 206/756, 495, 349, 760, 541, 784; 229/162.1, 162.3, 162.7, 107, 122, 229/395, 938, 902, 409, 125.05, 116.1, 8, 229/22, 132, 131.1, 160, 125.15, 122.27, 229/122.31, 122.32, 123, 241, 172, 174, 229/185.1, 120.04, 120.13, 120.14, 120.23, 229/87.06, 92.3, 103.3, 104.114, 117, 229/117.08, 117.17, 120; D21/108; D11/142; D7/538; D13/180; D26/1, 2; 257/80, 81, 88, 89, 95, 99, 100, 257/E33.058; 313/483, 498, 500; 362/555, 362/800

See application file for complete search history.

(56) **References Cited**

U.S. PATENT DOCUMENTS

5,040,868 A 8/1991 Waitl  
(Continued)

FOREIGN PATENT DOCUMENTS

CN 1417868 A 5/2003  
CN 1977399 6/2007  
(Continued)

OTHER PUBLICATIONS

U.S. Appl. No. 29/412,854, filed Mar. 2012, Leung, et al.  
(Continued)

*Primary Examiner* — Ian Simmons  
*Assistant Examiner* — Rhea Shields

(74) *Attorney, Agent, or Firm* — Koppel, Patrick, Heybl & Philpott

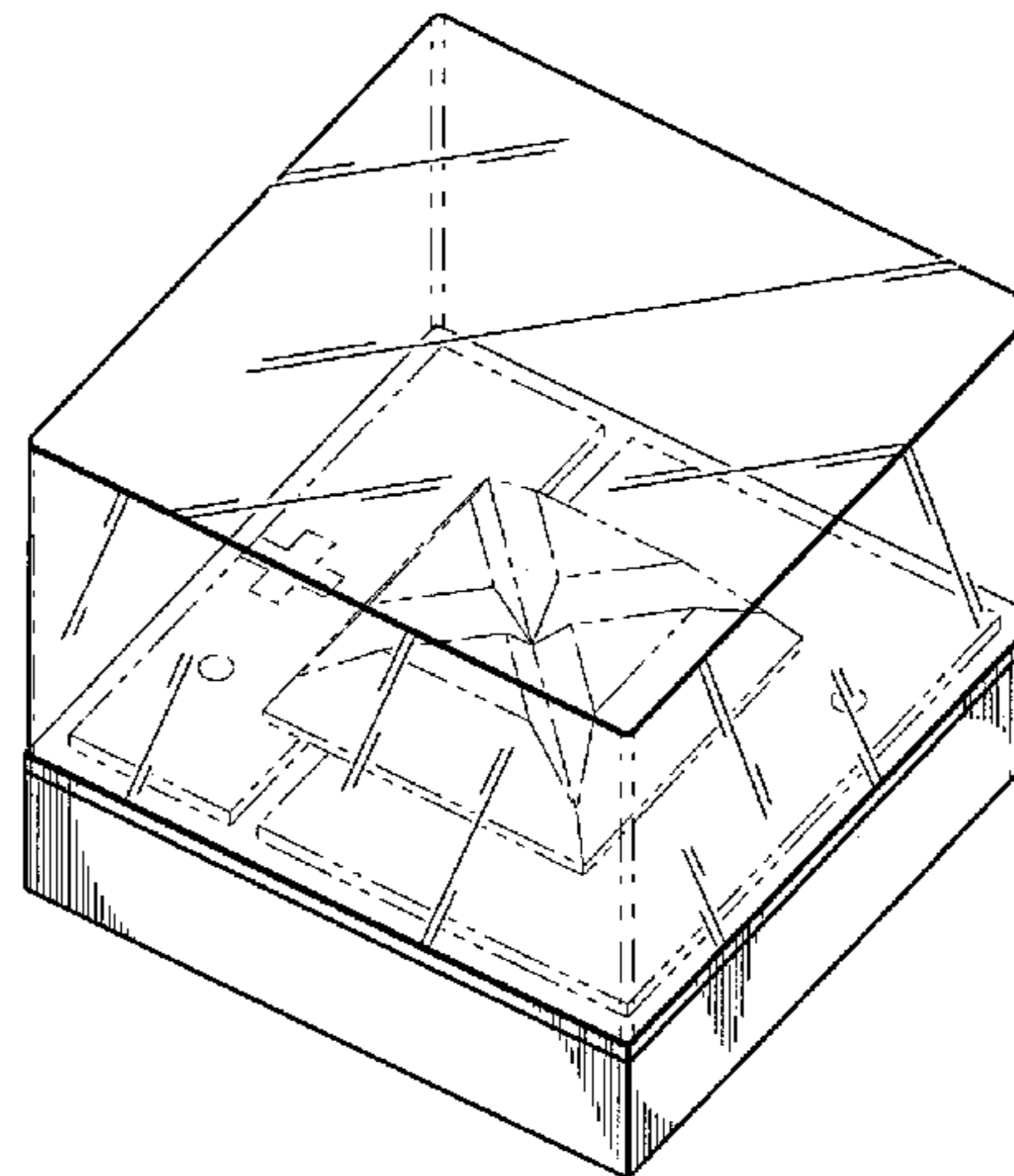
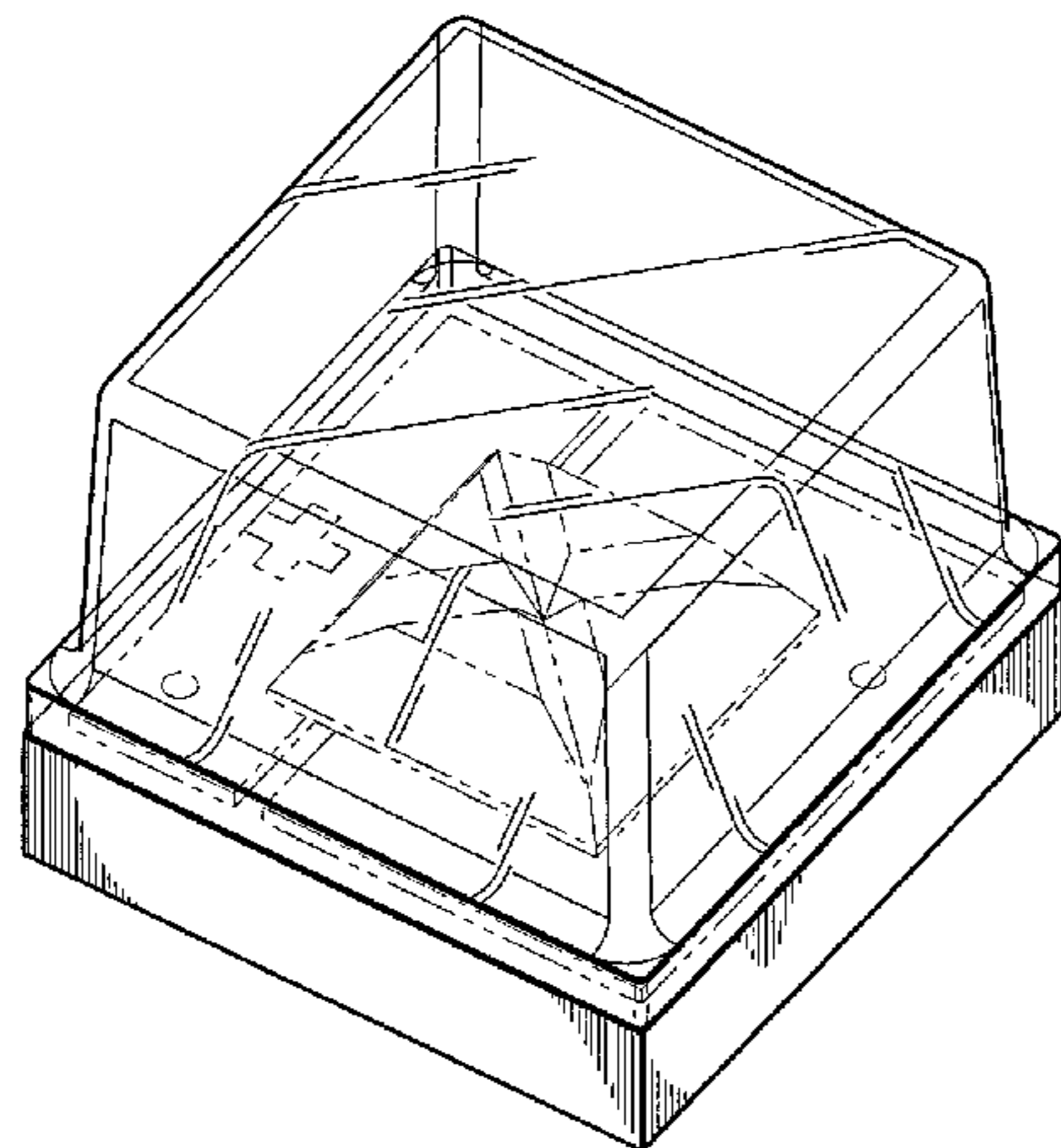
(57) **CLAIM**

The ornamental design for an LED package, as shown and described.

**DESCRIPTION**

FIG. 1 is a top perspective view of the first embodiment of an LED package;  
FIG. 2 is a bottom perspective view thereof;  
FIG. 3 is a front elevation view of one side thereof;  
FIG. 4 is a side elevation view thereof;  
FIG. 5 is a top plan view thereof;  
FIG. 6 is a bottom plan view thereof;  
FIG. 7 is a top perspective view of the second embodiment of an LED package;  
FIG. 8 is a bottom perspective view thereof;  
FIG. 9 is a front elevation view of one side thereof;  
FIG. 10 is a side elevation view thereof;  
FIG. 11 is a top plan view thereof; and,  
FIG. 12 is a bottom plan view thereof.  
In the drawings, the broken lines depict unclaimed subject matter only and form no part of the claimed design.

**1 Claim, 4 Drawing Sheets**



(56)

References Cited

FOREIGN PATENT DOCUMENTS

U.S. PATENT DOCUMENTS

D367,879 S \* 3/1996 Smith et al. .... D18/18  
 6,061,160 A 5/2000 Maruyama  
 6,376,902 B1 4/2002 Arndt  
 D475,919 S \* 6/2003 Choffez ..... D9/432  
 6,707,069 B2 3/2004 Song et al.  
 6,759,733 B2 7/2004 Arndt  
 6,900,511 B2 5/2005 Ruhnau et al.  
 D506,386 S \* 6/2005 Milan ..... D9/418  
 D506,867 S \* 7/2005 Galan ..... D3/273  
 6,940,704 B2 9/2005 Stalions  
 7,066,626 B2 6/2006 Omata  
 D528,412 S \* 9/2006 Snedden et al. .... D9/432  
 7,102,215 B2 9/2006 Arndt  
 7,183,632 B2 2/2007 Arndt  
 7,224,000 B2 5/2007 Aanegola et al.  
 7,271,425 B2 9/2007 Arndt et al.  
 7,282,785 B2 10/2007 Yoshida  
 7,317,181 B2 1/2008 Murakami et al.  
 D572,210 S 7/2008 Lee  
 D576,574 S 9/2008 Kobayakawa  
 D591,697 S 5/2009 Andrews et al.  
 D598,871 S \* 8/2009 Eberle et al. .... D13/180  
 D615,504 S \* 5/2010 Keller et al. .... D13/180  
 D631,020 S 1/2011 Chuang et al.  
 D633,631 S 3/2011 Shieh et al.  
 D634,863 S 3/2011 Leung et al.  
 D643,713 S \* 8/2011 Lawrence et al. .... D9/430  
 D649,033 S \* 11/2011 Epstein ..... D9/425  
 8,089,089 B2 \* 1/2012 Kuo et al. .... 257/98  
 D656,906 S 4/2012 Leung et al.  
 D662,902 S \* 7/2012 Shieh et al. .... D13/180  
 D674,757 S \* 1/2013 Wu et al. .... D13/180  
 D681,573 S \* 5/2013 Andrews et al. .... D13/182  
 D689,209 S \* 9/2013 Donofrio et al. .... D26/1  
 D691,973 S \* 10/2013 Donofrio et al. .... D13/180  
 D693,781 S \* 11/2013 Kobayashi et al. .... D13/180  
 D698,741 S \* 2/2014 Kobayashi et al. .... D13/180  
 D703,348 S \* 4/2014 Reihherzer et al. .... D26/2  
 2002/0123163 A1 9/2002 Fujii  
 2002/0163001 A1 11/2002 Shaddock et al.  
 2004/0041222 A1 3/2004 Loh  
 2004/0079957 A1 4/2004 Andrews et al.  
 2004/0126913 A1 7/2004 Loh  
 2004/0238930 A1 12/2004 Arndt  
 2006/0049477 A1 3/2006 Arndt et al.  
 2006/0102917 A1 5/2006 Oyama et al.  
 2007/0235743 A1 \* 10/2007 Lee et al. .... 257/81  
 2007/0252250 A1 11/2007 Hui et al.  
 2009/0108281 A1 4/2009 Keller et al.  
 2009/0283781 A1 11/2009 Chan et al.  
 2013/0026502 A1 \* 1/2013 Park ..... 257/88  
 2013/0193474 A1 \* 8/2013 Kim et al. .... 257/99

EP 1187227 3/2002  
 EP 1953834 A1 8/2008  
 JP 2000188358 7/2000  
 JP 2003197974 7/2003  
 JP 2000223752 3/2006  
 JP 2007287981 11/2007  
 JP 2007299905 11/2007  
 KR 3003875582 9/2005  
 KR 3003875583 9/2005  
 TW D112798 5/1989  
 TW D1110647 10/2004  
 TW D123860 8/2008  
 TW D128141 4/2009  
 TW D 158571 1/2014  
 TW D 158573 1/2014  
 WO WO 2004053933 6/2004

OTHER PUBLICATIONS

Cree® XLamp® MC-E LEDs Product Info Sheets. 14 pages.  
 Nichia Corporation LEDs, Models NSSM016G, NSSM227, NESM026X, NSSM026BB, NESM005A. 9 pages.  
 Notice of Allowance and Search Report for Taiwanese Patent Appl. No. 101307391, dated Oct. 15, 2013.  
 Notice to Submit a Response from Korean Patent Appl. No. 30-2012-0059744, dated Nov. 26, 2013.  
 Letter of Examination Report from Taiwanese Patent appl. No. 101307391, dated Jun. 5, 2013.  
 Examination Report from Taiwanese Patent Appl. No. 102301478. dated Sep. 6, 2013.  
 Design of Registration Notice from Japanese Patent Appl. No. 2012-030304. dated Jan. 21, 2014.  
 First Office Action from Chinese Patent Appl. No. 201330052393.7. dated Jan. 9, 2014.  
 First Office Action from Chinese Design Patent appl. No. 201330524820.7. dated Feb. 20, 2014.  
 Notice to Submit a Response from Korean Design Appl. No. 30-2012-0059744 dated Apr. 28, 2014.  
 Decision of Registration from Japanese Design Patent Application No. 2013-025955. dated Jun. 24, 2014.  
 Decision of Registration from Japanese Design Patent Application No. 2013-004502, dated Jun. 24, 2014.  
 Office Action from Korean Patent Design Appl. No. 30-2013-0010610, dated Jul. 8, 2014.  
 Examination and Search Report from Taiwanese Patent Appl. No. 103300731, dated Jul. 21, 2014.  
 Notice of Issuance of Chinese Patent Appl. No. 201430021459.0. dated May 21, 2014.  
 Examination Report from Taiwanese Patent appl. No. 102308472. dated May 14, 2014.

\* cited by examiner

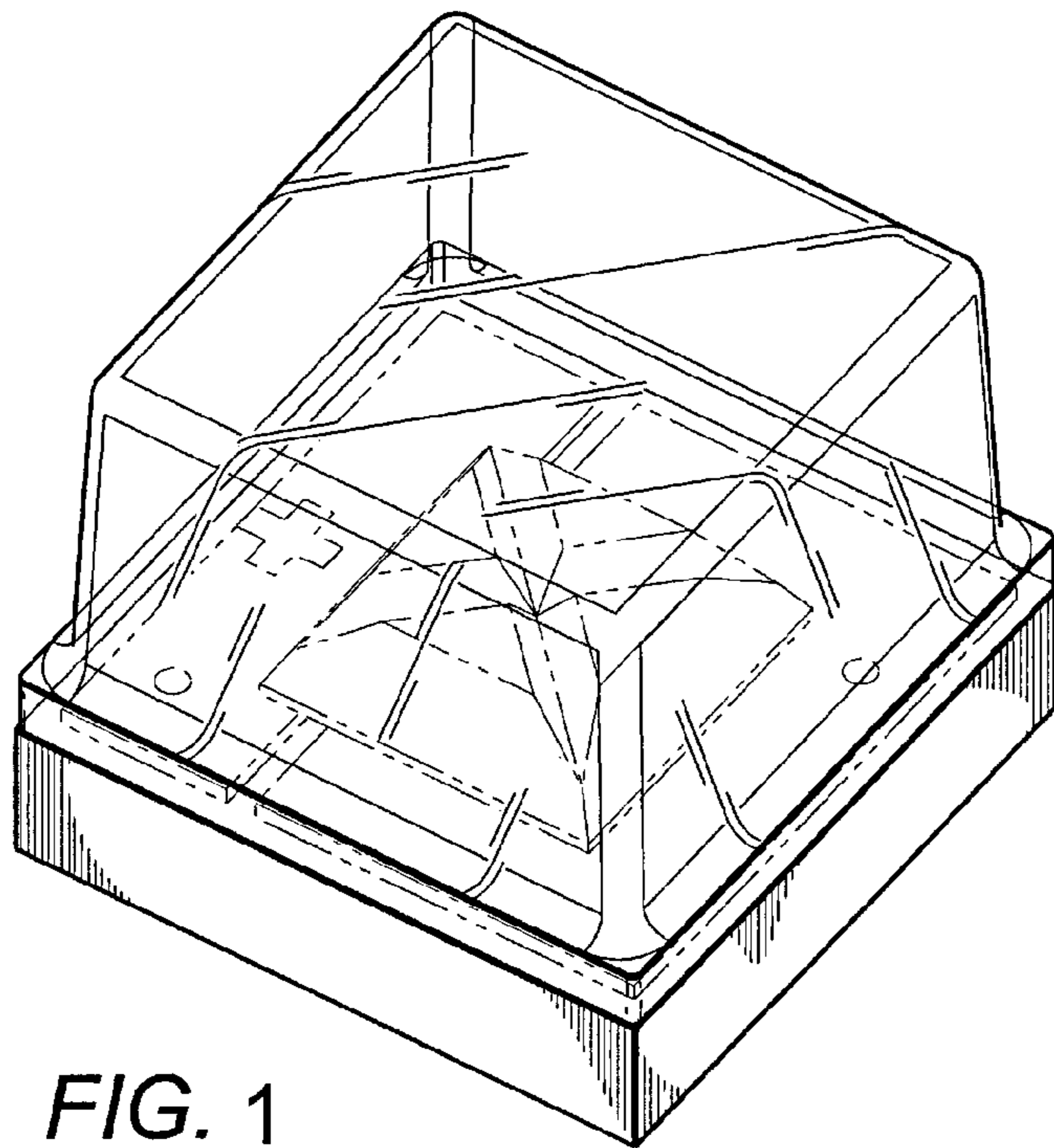


FIG. 1

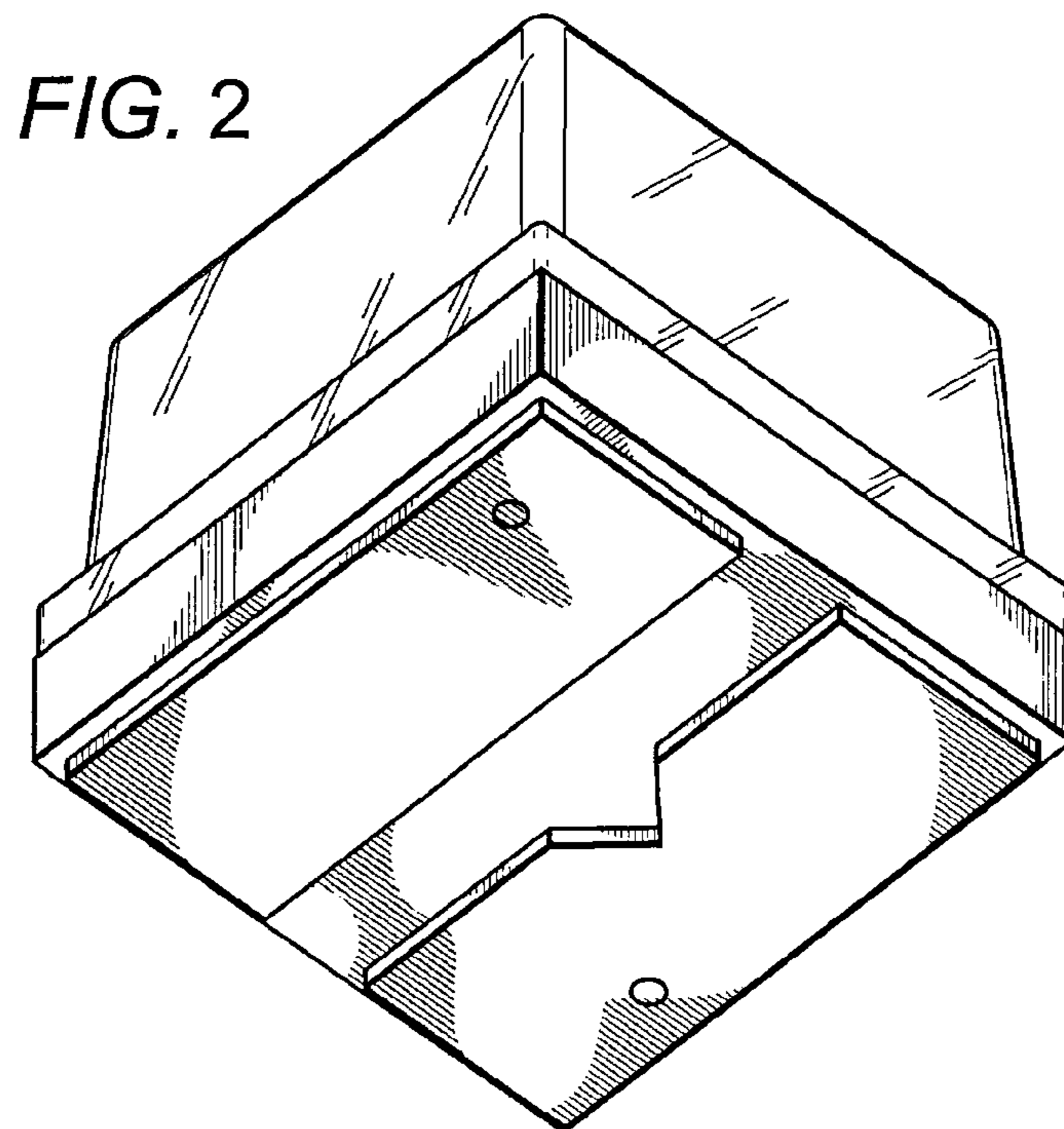


FIG. 2

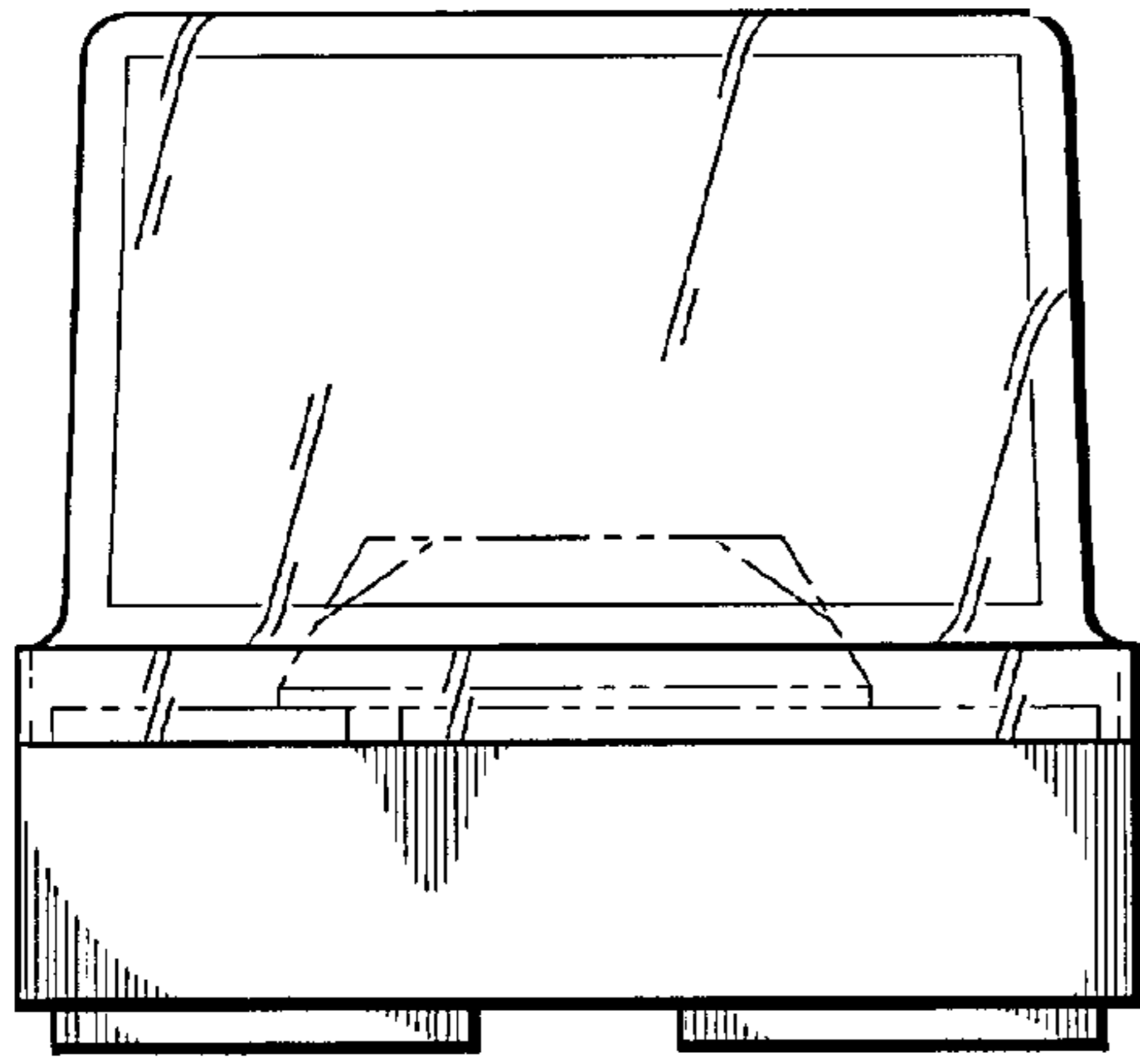


FIG. 3

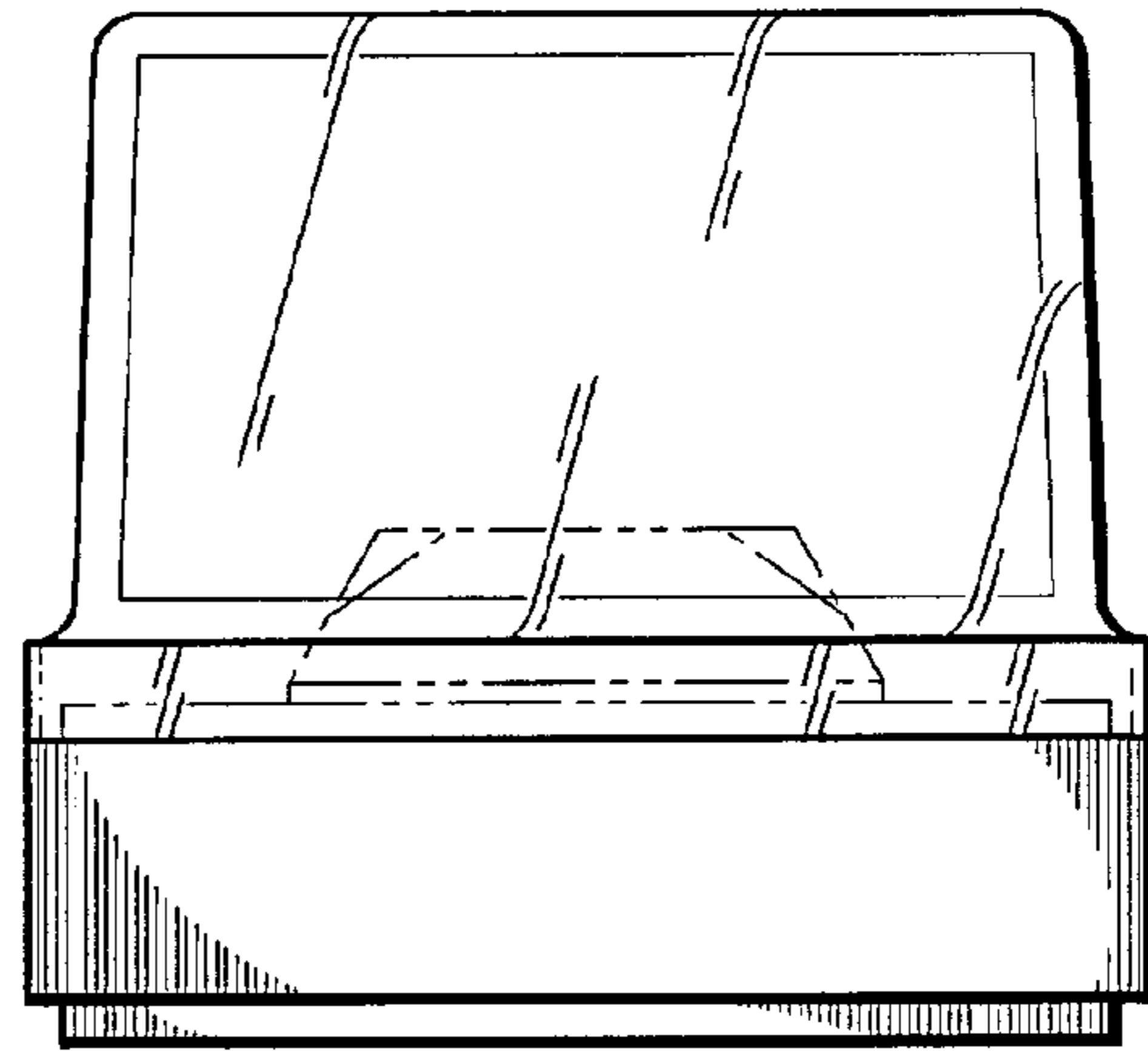


FIG. 4

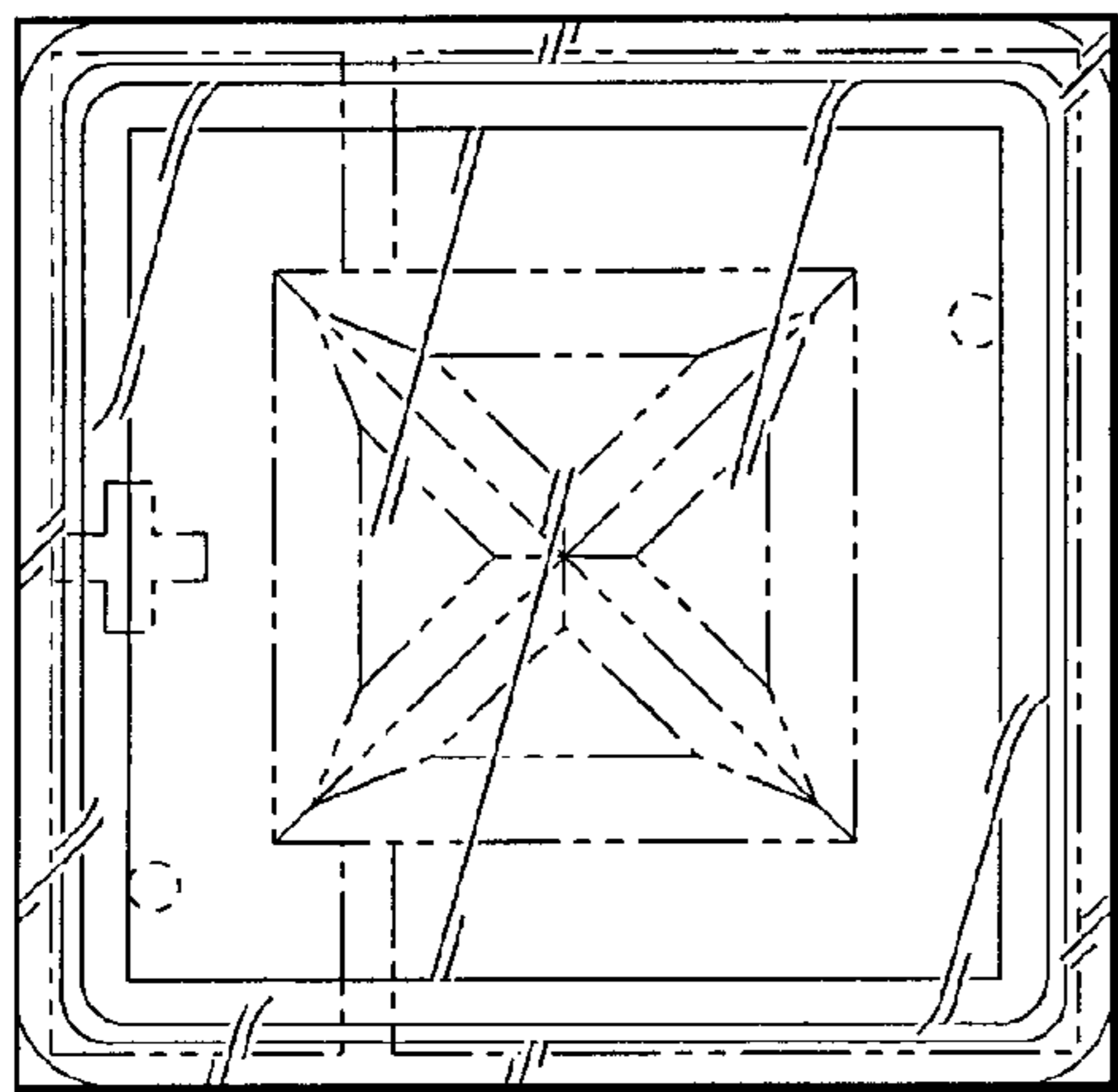


FIG. 5

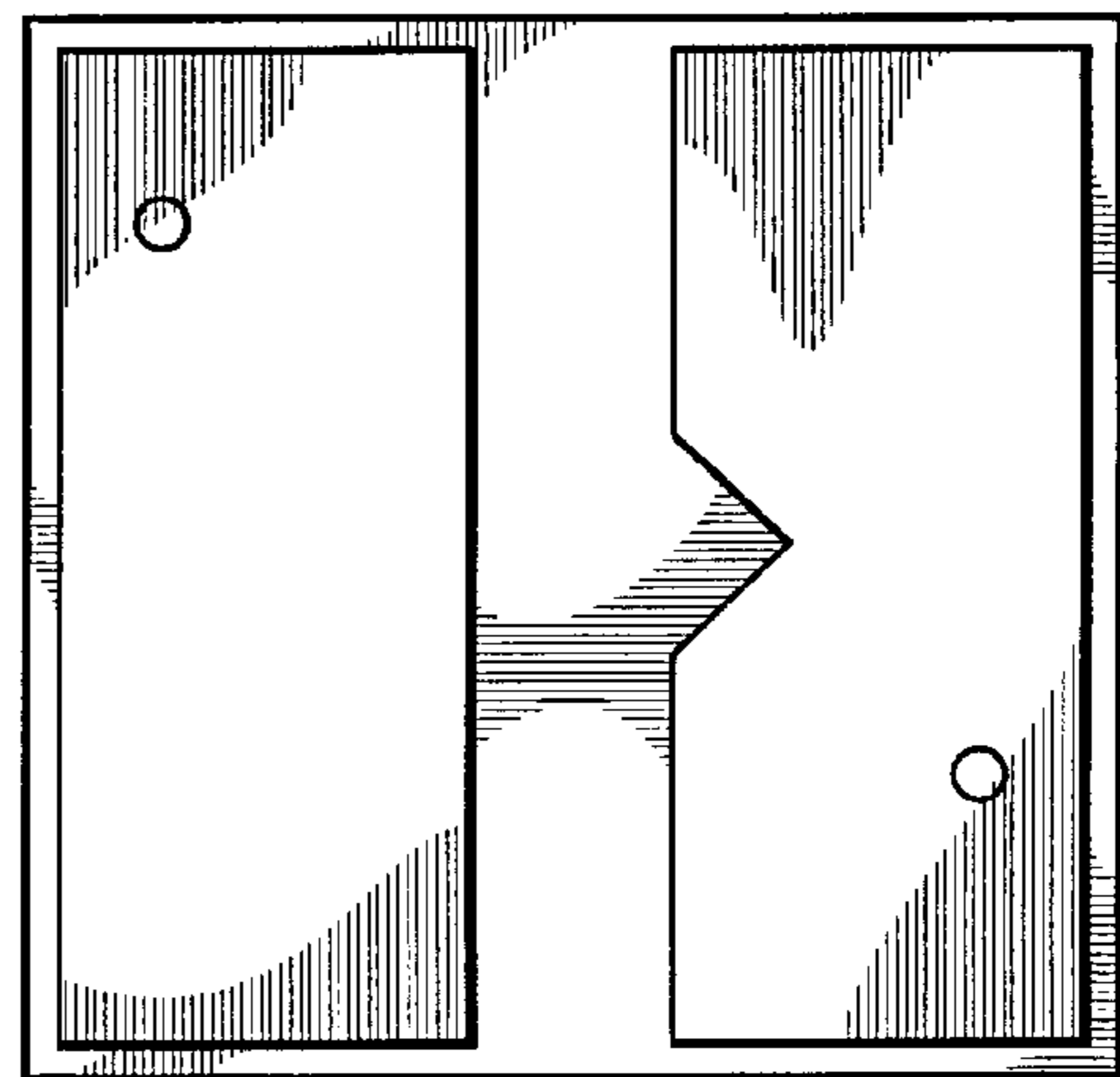


FIG. 6

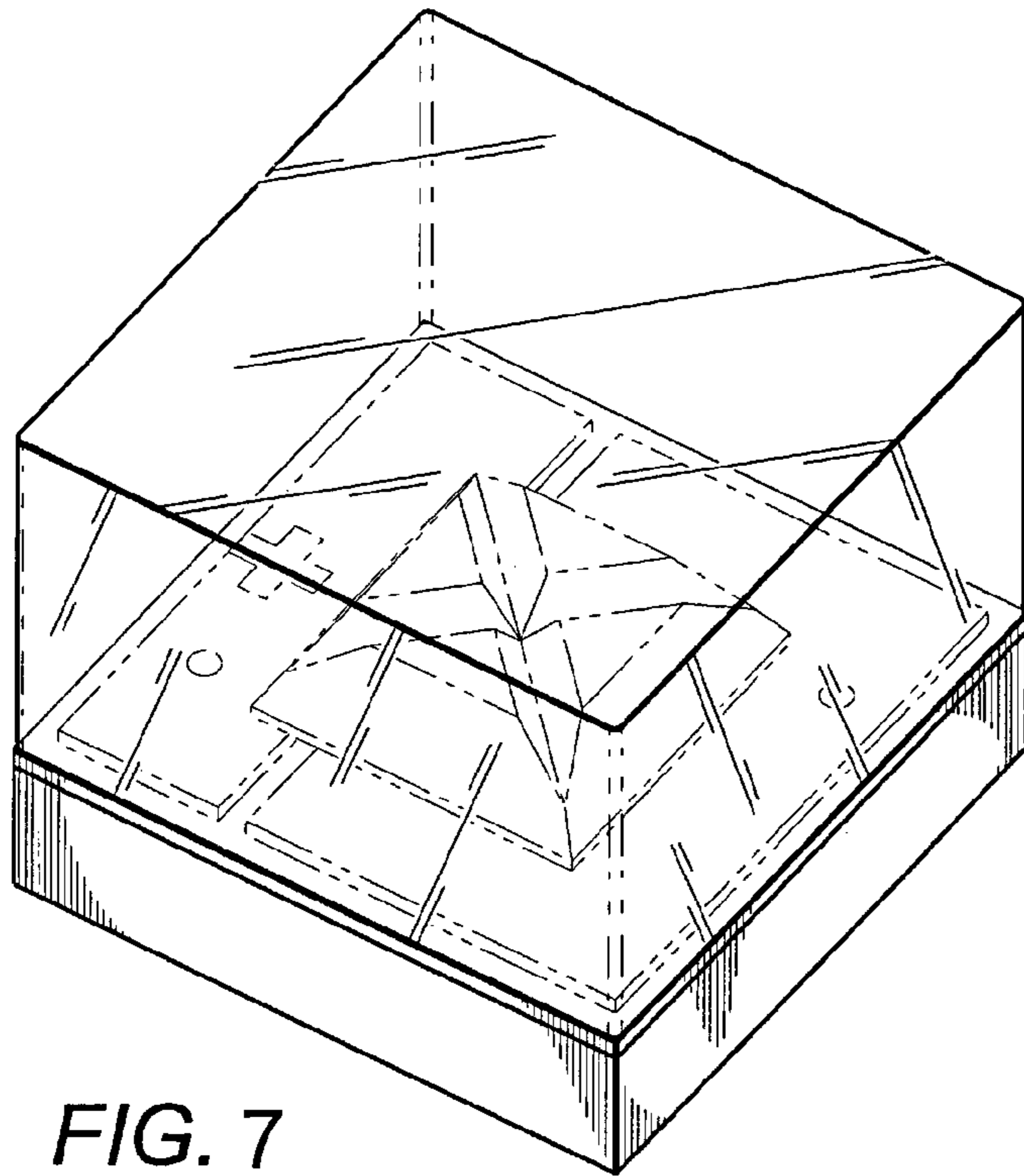


FIG. 7

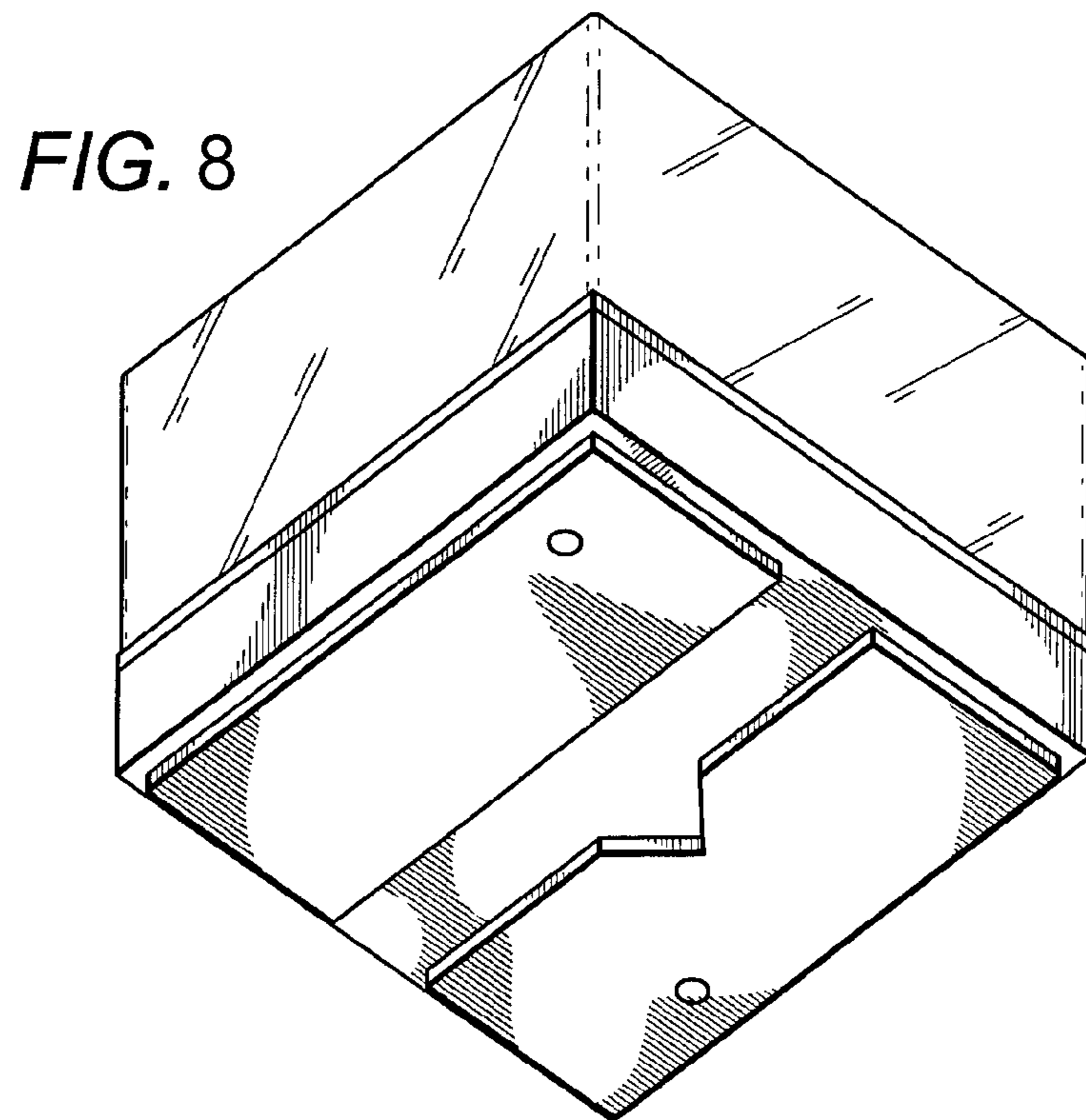


FIG. 8

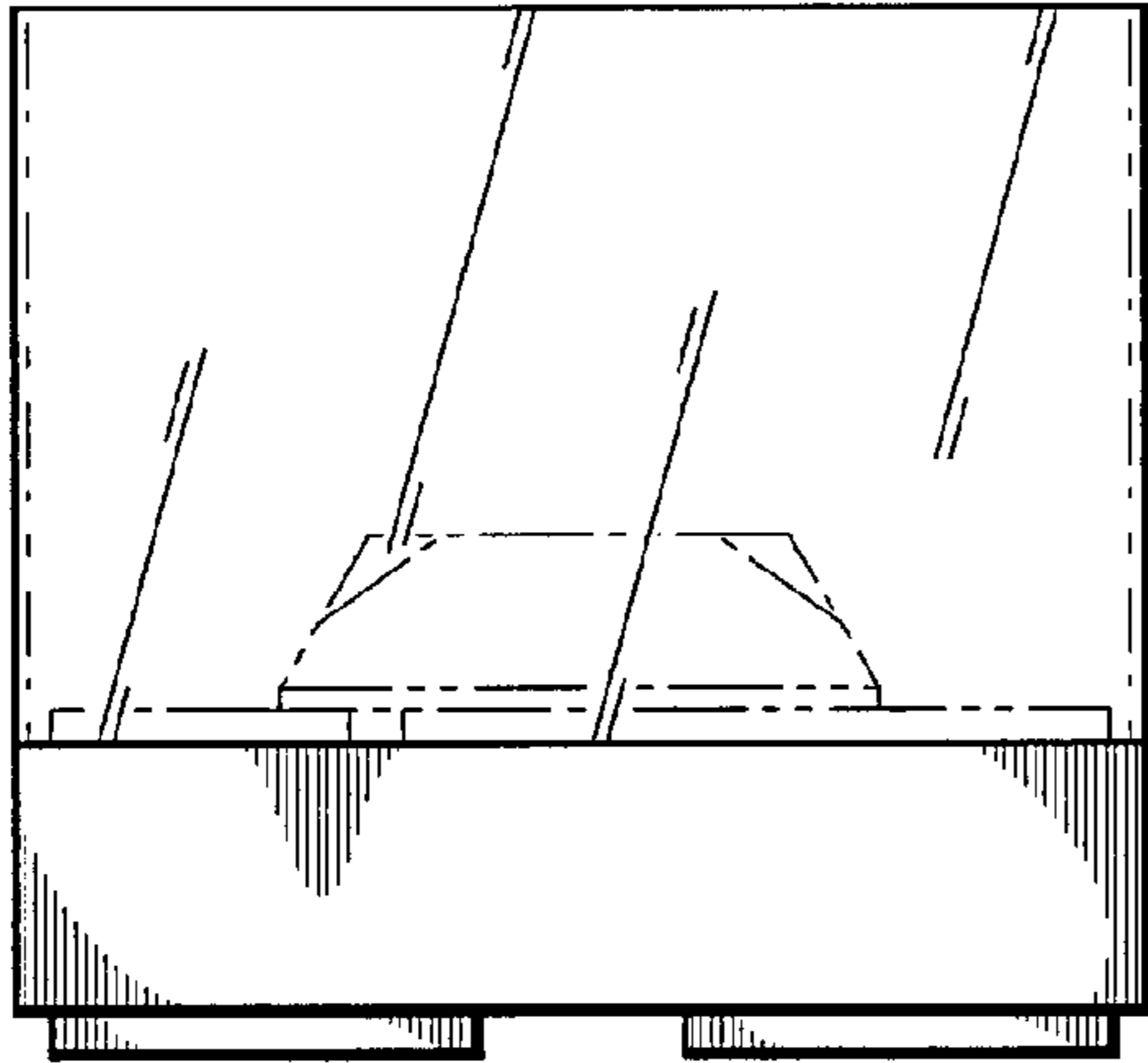


FIG. 9

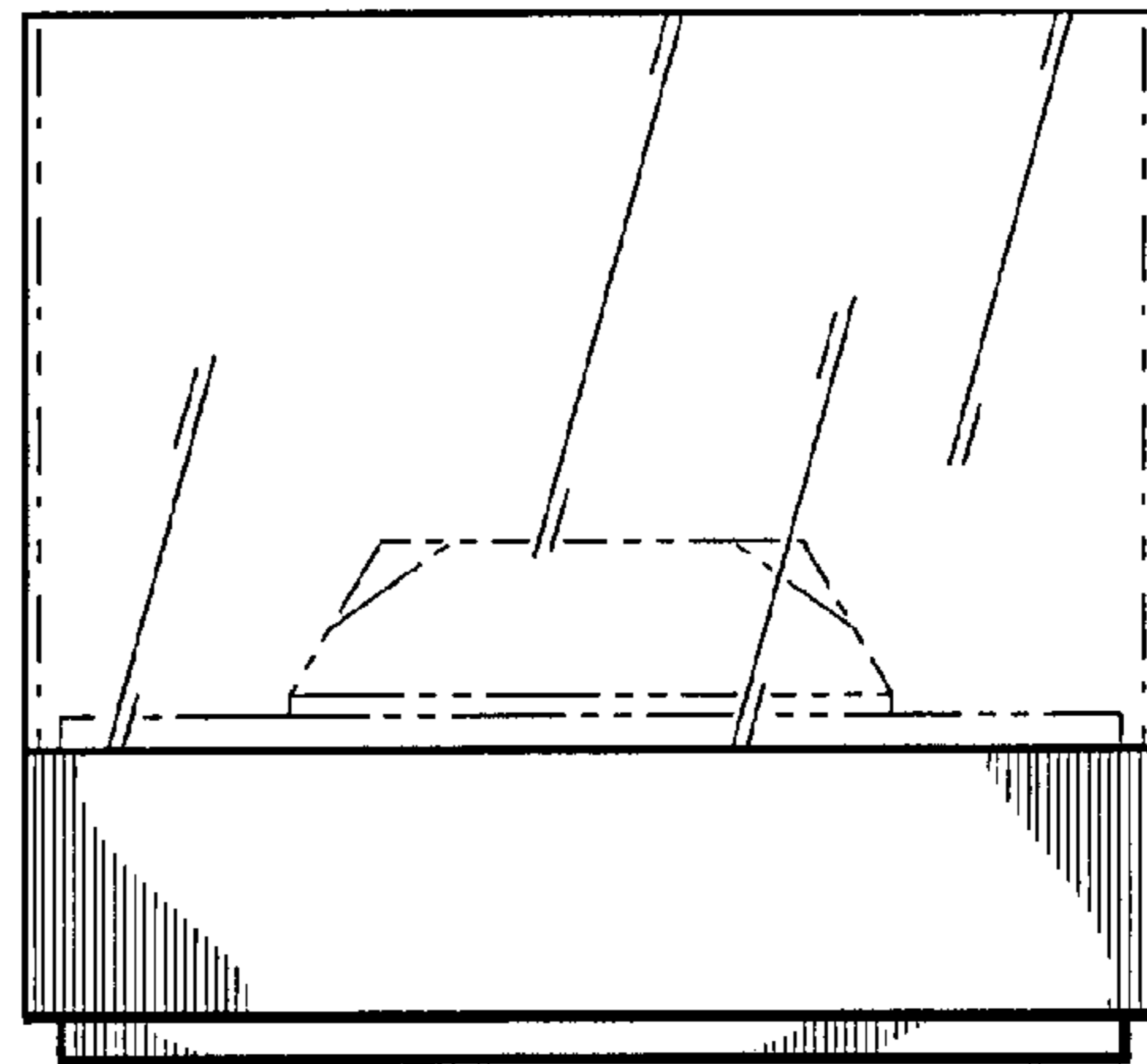


FIG. 10

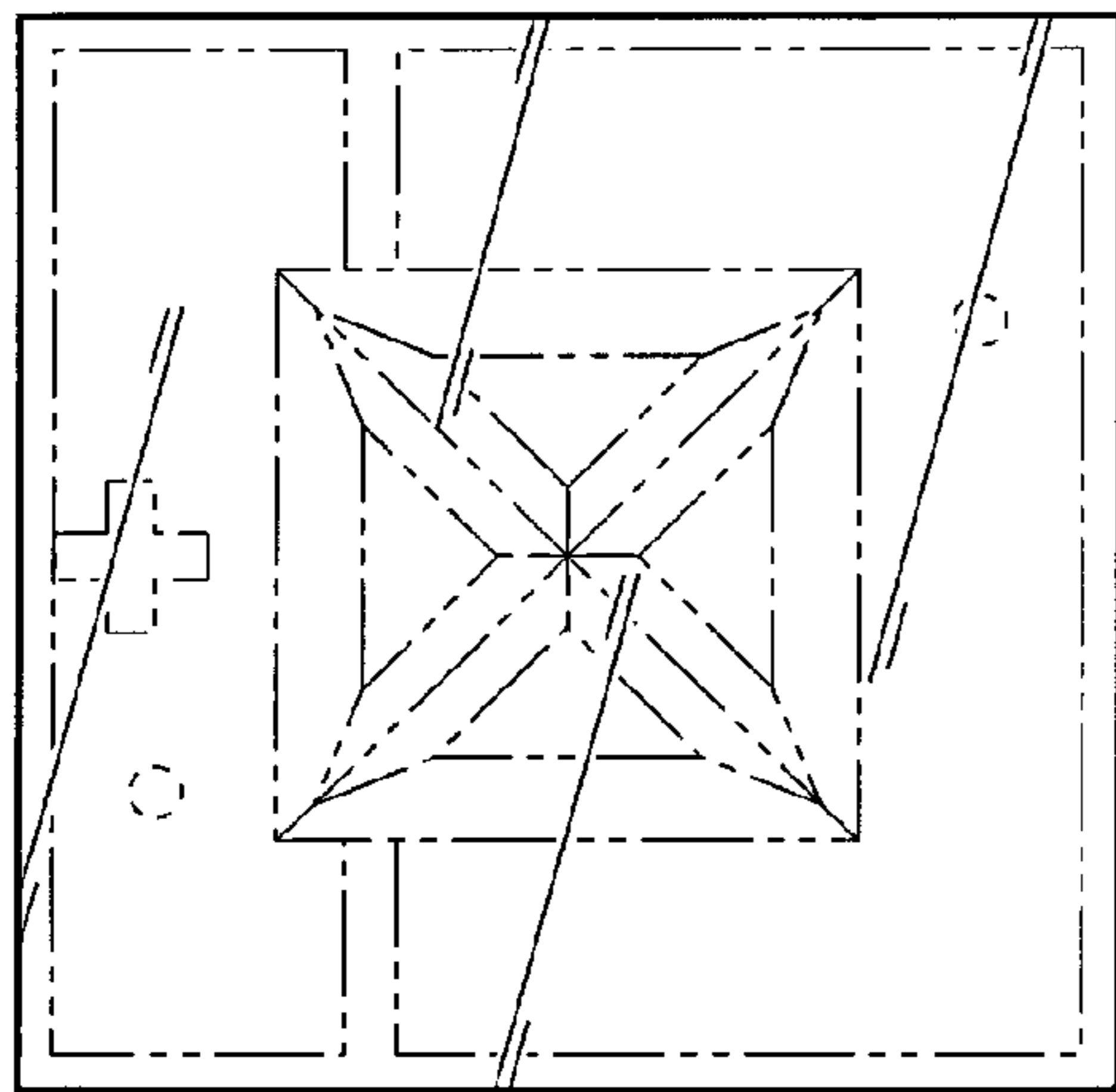


FIG. 11

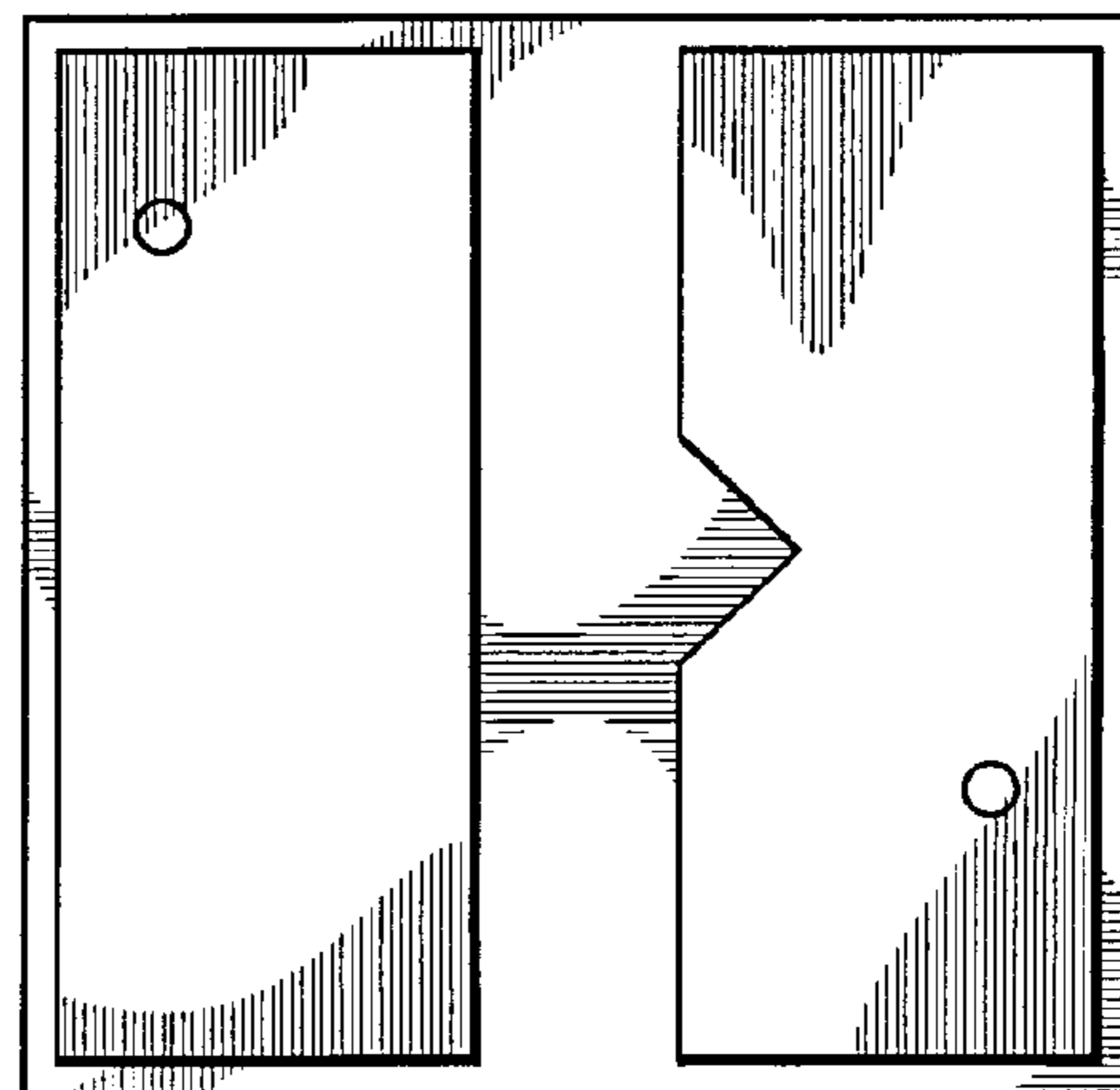


FIG. 12