



US00D718257S

(12) **United States Design Patent**
Tsukimori et al.

(10) **Patent No.:** **US D718,257 S**
(45) **Date of Patent:** **** Nov. 25, 2014**

(54) **SWITCH MODULE FOR LIMIT SWITCH**

(71) Applicant: **OMRON Corporation**, Shimogyo-ku,
Kyoto (JP)

(72) Inventors: **Kazuyuki Tsukimori**, Kyoto (JP);
Manabu Takahashi, Kyoto (JP);
Hiroyuki Moriyama, Kyoto (JP);
Shigenobu Fukui, Kyoto (JP); **Shinya**
Katsube, Kyoto (JP)

(73) Assignee: **OMRON Corporation**, Kyoto (JP)

(**) Term: **14 Years**

(21) Appl. No.: **29/468,704**

(22) Filed: **Oct. 2, 2013**

Related U.S. Application Data

(62) Division of application No. 29/408,233, filed on Dec.
8, 2011, now Pat. No. Des. 694,194.

(30) **Foreign Application Priority Data**

Jun. 10, 2011 (JP) 2011-013161
Jun. 10, 2011 (JP) 2011-013162

(51) **LOC (10) Cl.** **13-03**

(52) **U.S. Cl.**
USPC **D13/162; D13/158**

(58) **Field of Classification Search**
USPC D13/158, 162, 171; 74/559; 200/47,
200/51.11, 330; 250/208.4, 214 SW
See application file for complete search history.

(56) **References Cited**

U.S. PATENT DOCUMENTS

3,555,215 A 1/1971 Dehn
3,745,289 A 7/1973 Hipple
4,065,669 A 12/1977 Bogel
4,342,885 A 8/1982 Kashima et al.
5,298,700 A 3/1994 Champagne et al.

5,486,661 A 1/1996 Jambor et al.
6,518,528 B2 2/2003 Nickerson et al.
D537,796 S 3/2007 Fabrizi
7,332,683 B2 2/2008 Gorman
D574,331 S 8/2008 Bedggood
7,557,315 B2 7/2009 Chen
D692,394 S * 10/2013 Takahashi et al. D13/158
D692,395 S * 10/2013 Takahashi et al. D13/158
D694,194 S * 11/2013 Takahashi et al. D13/162
D703,153 S * 4/2014 Takahashi et al. D13/158
D703,620 S * 4/2014 Takahashi et al. D13/158
2003/0079972 A1 5/2003 Truett
2007/0199808 A1 8/2007 Chen
2012/0235025 A1 9/2012 Tobita et al.

OTHER PUBLICATIONS

Omron Catalog of limit switches (Oct. 2011).
Azbil catalog of limit switches (published at least as early as Dec. 8,
2011).
Moujen product information of limit switches <<http://www.moujenswitch.com/products.php?cPath=596>> (published at least as
early as Dec. 8, 2011).

* cited by examiner

Primary Examiner — Selina Sikder

(74) *Attorney, Agent, or Firm* — Harness, Dickey, & Pierce,
P.L.C.

(57) **CLAIM**

The ornamental design for a switch module for limit switch,
as shown and described.

DESCRIPTION

FIG. 1 is a bottom, front and right side perspective view of a
switch module for limit switch showing our new design;
FIG. 2 is a top, rear and right side perspective view thereof;
FIG. 3 is a front elevational view thereof;
FIG. 4 is a rear elevational view thereof;
FIG. 5 is a left side view thereof;
FIG. 6 is a right side view thereof;
FIG. 7 is a top plan view thereof; and,
FIG. 8 is a bottom plan view thereof.

1 Claim, 5 Drawing Sheets

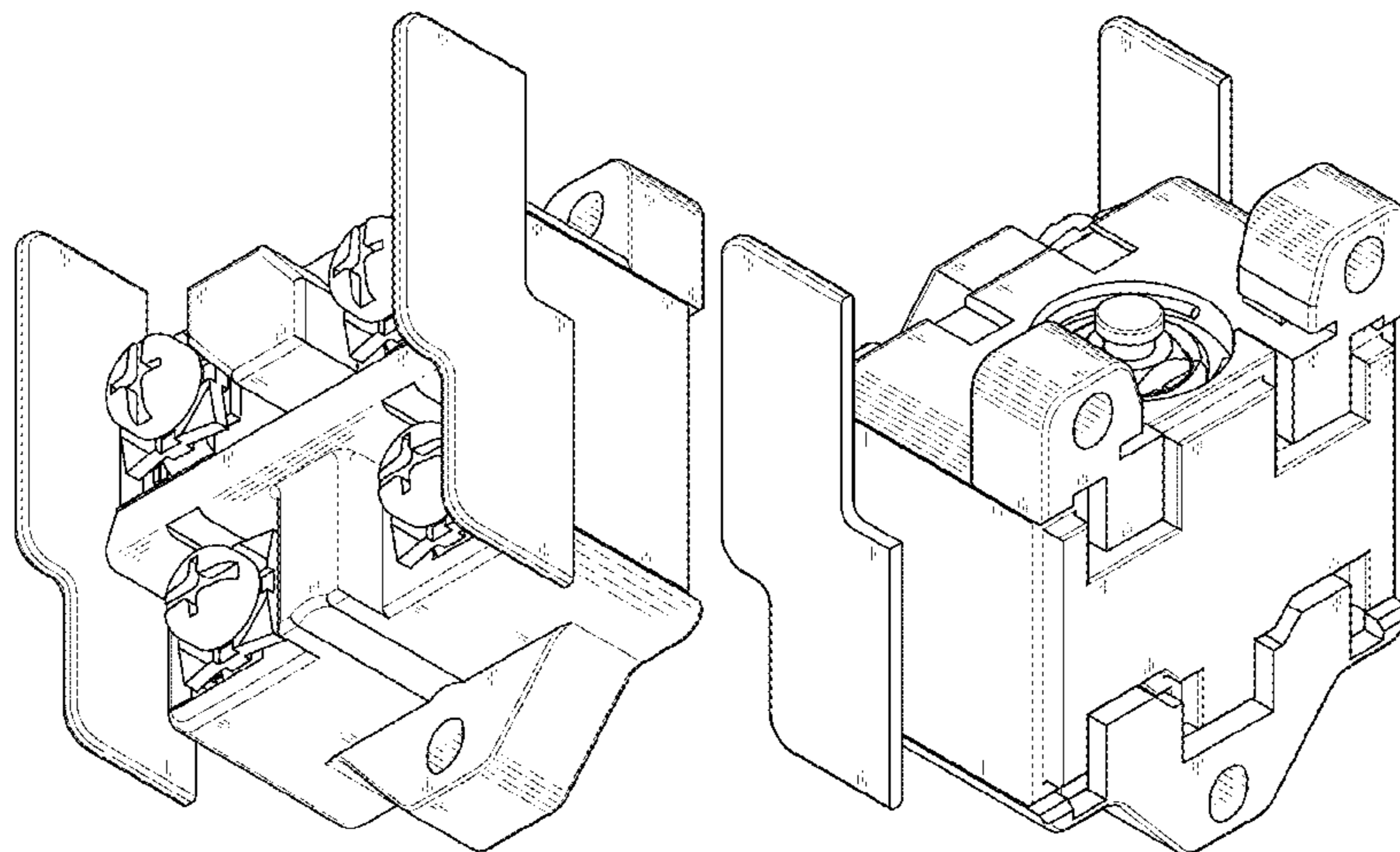


Fig. 1

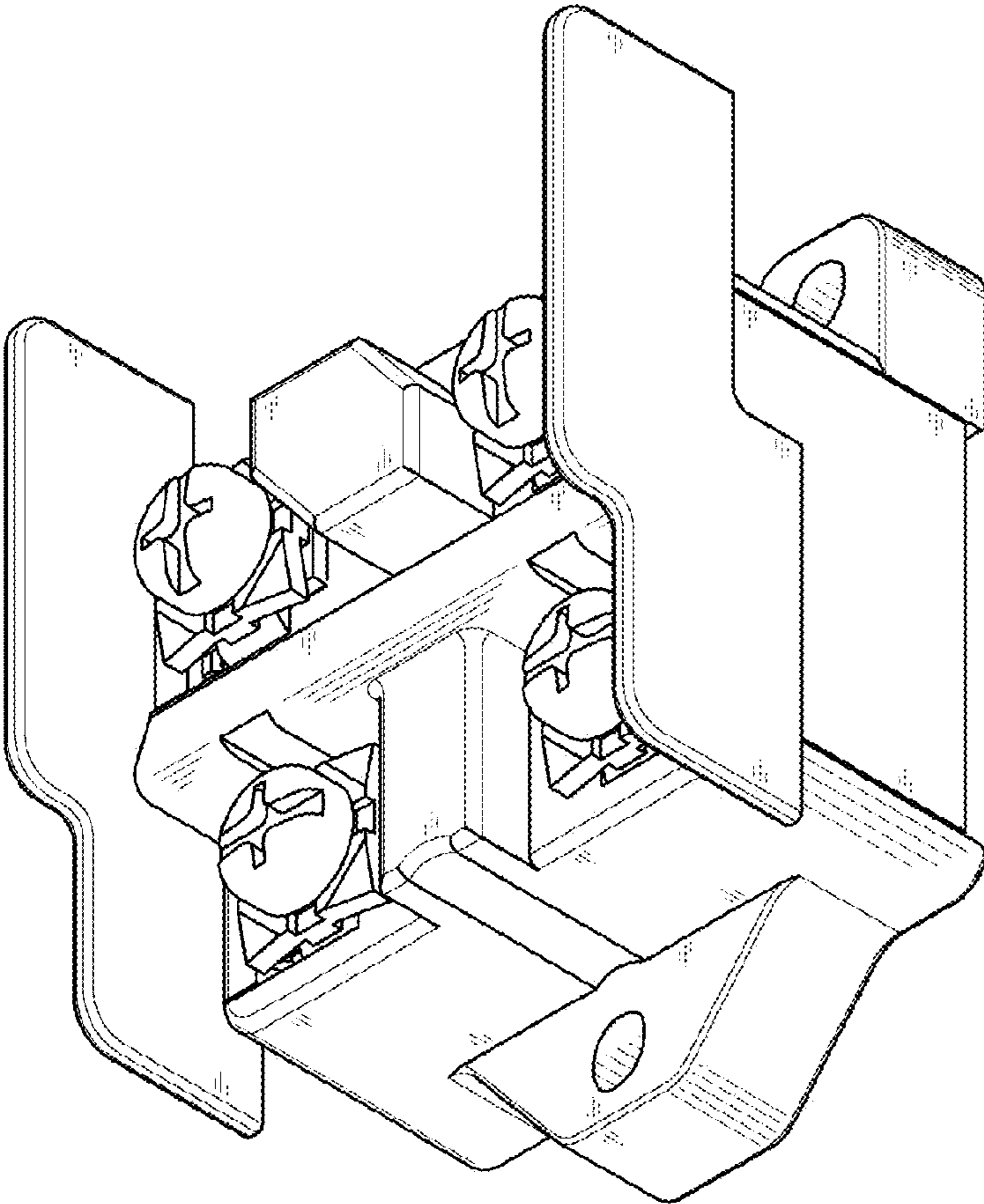


Fig. 2

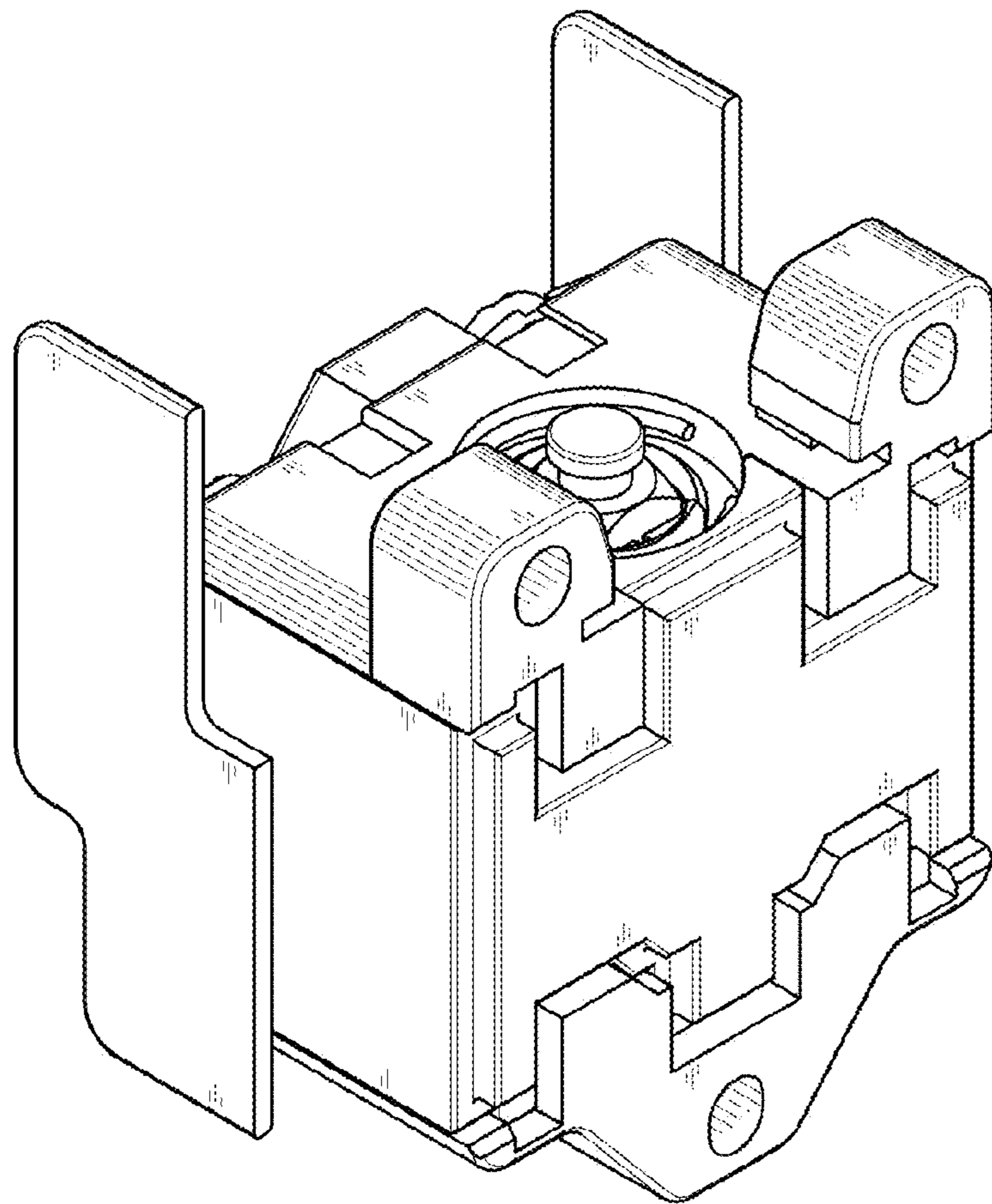


Fig. 3

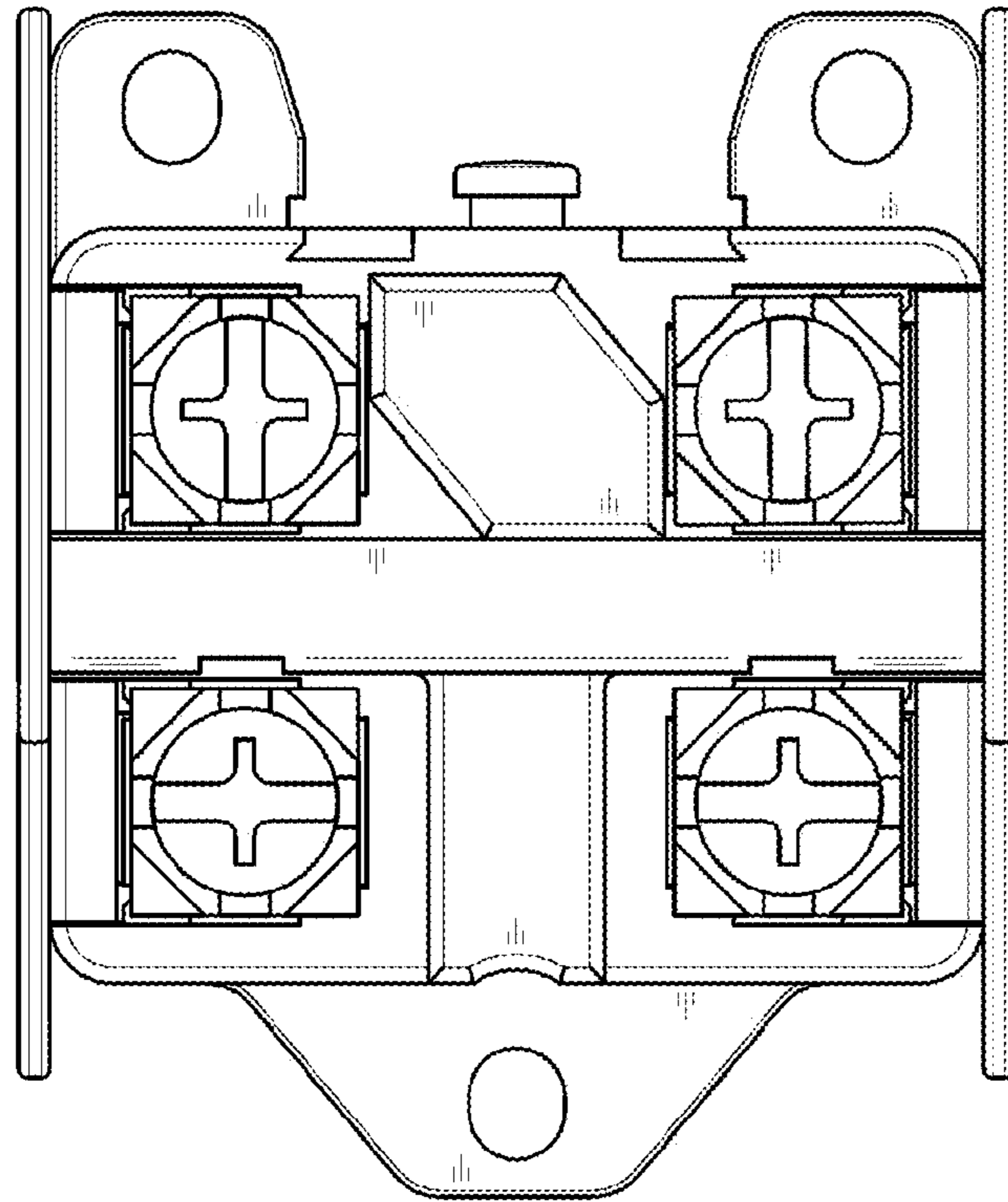


Fig. 4

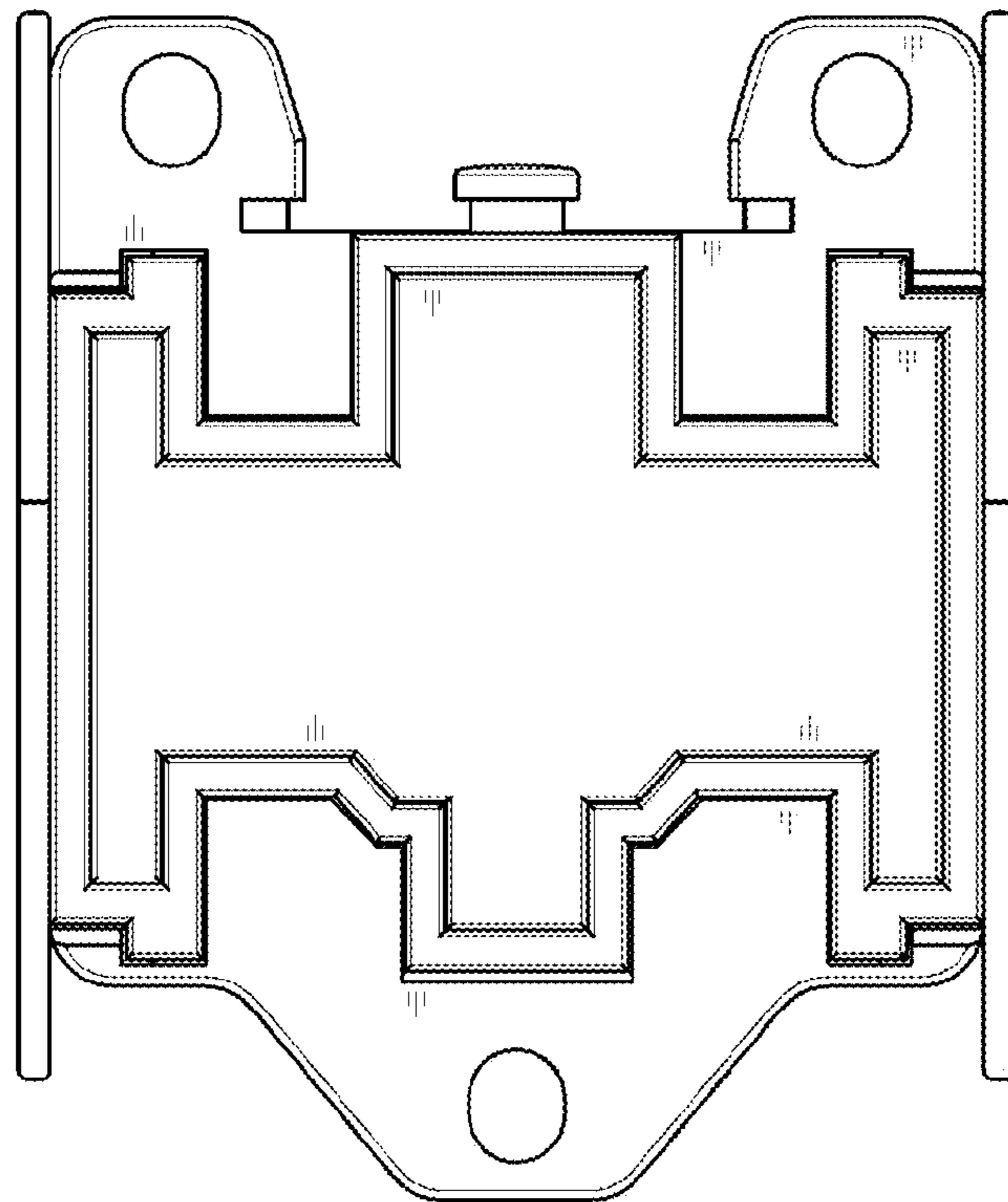


Fig. 5

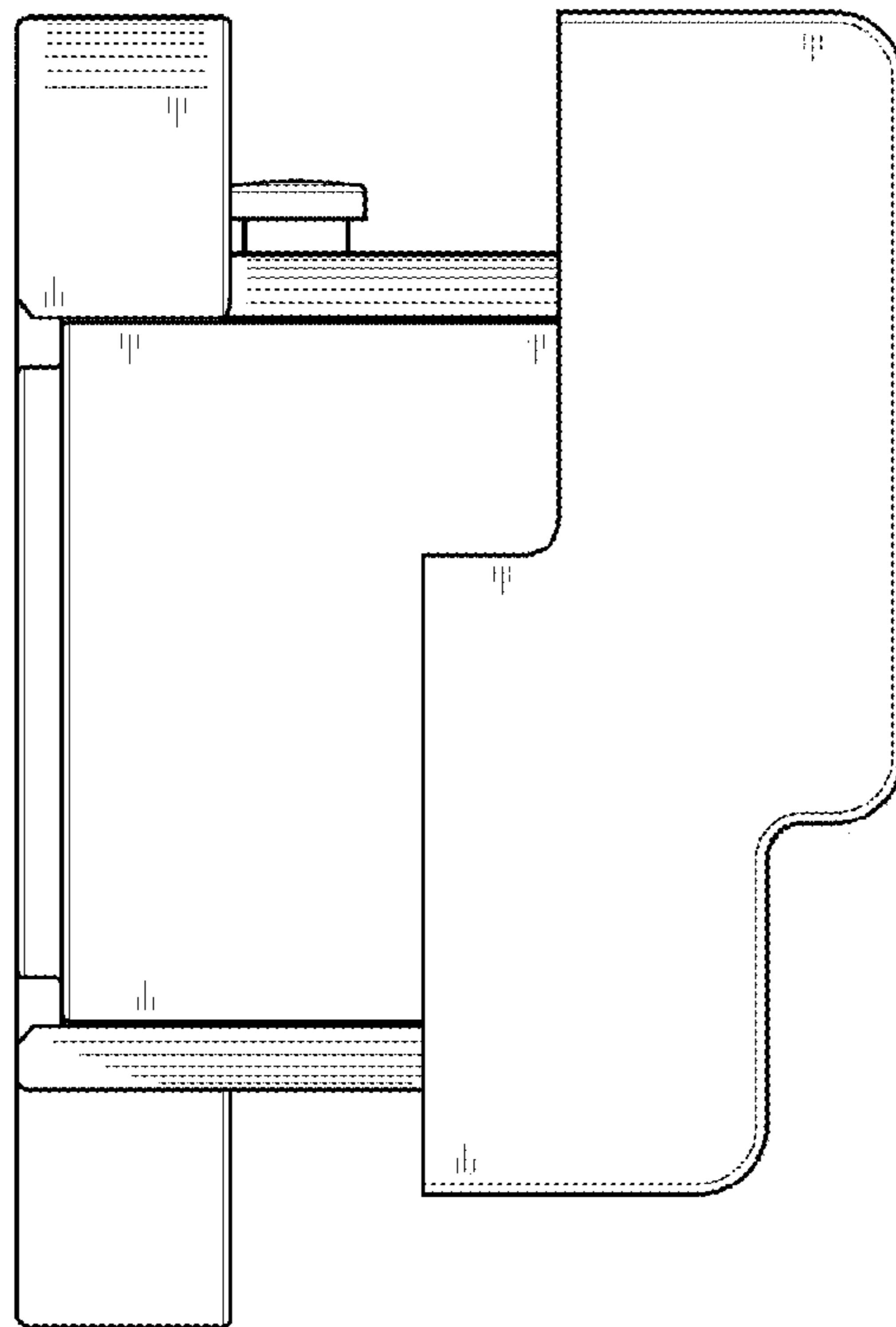


Fig. 6

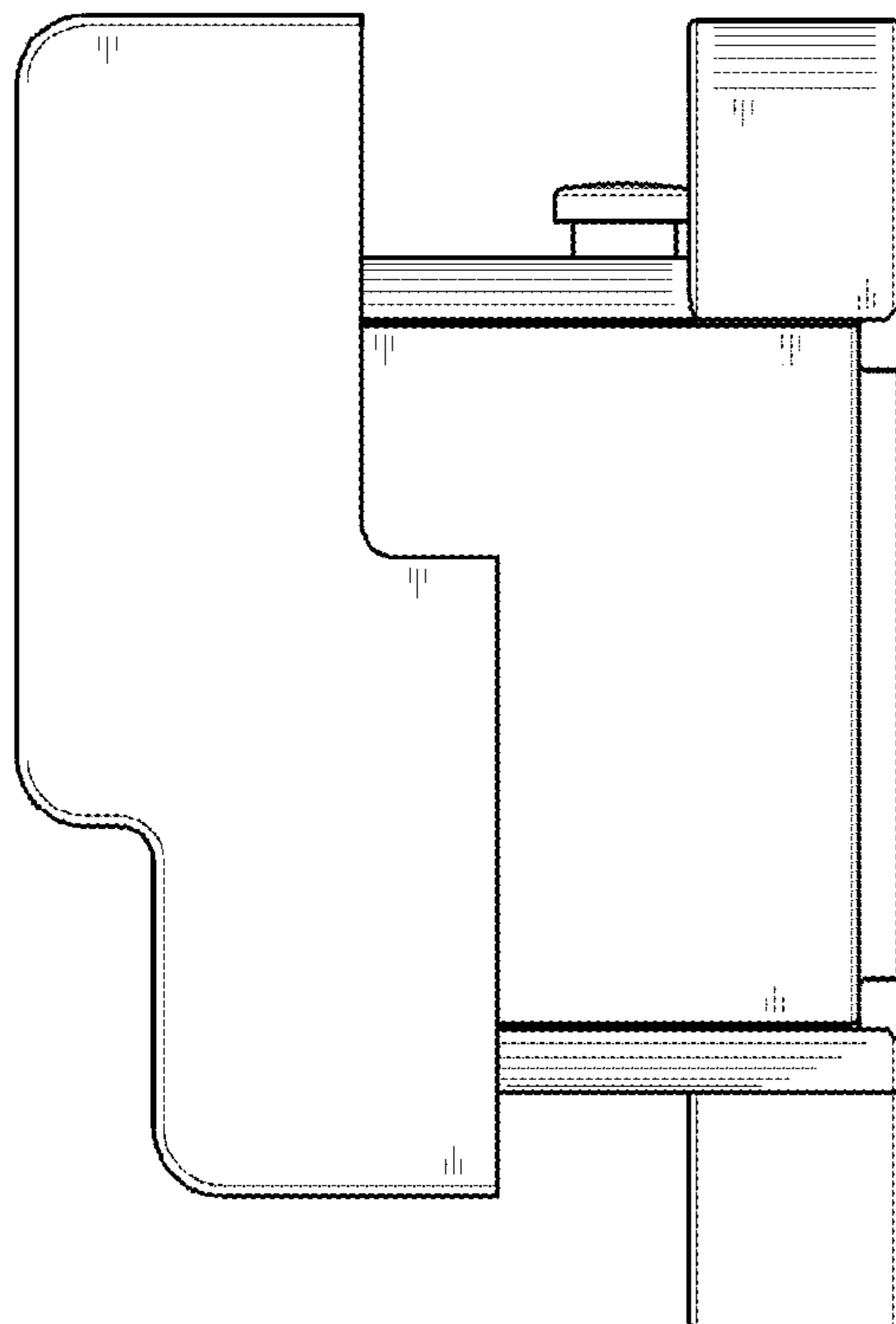


Fig. 7

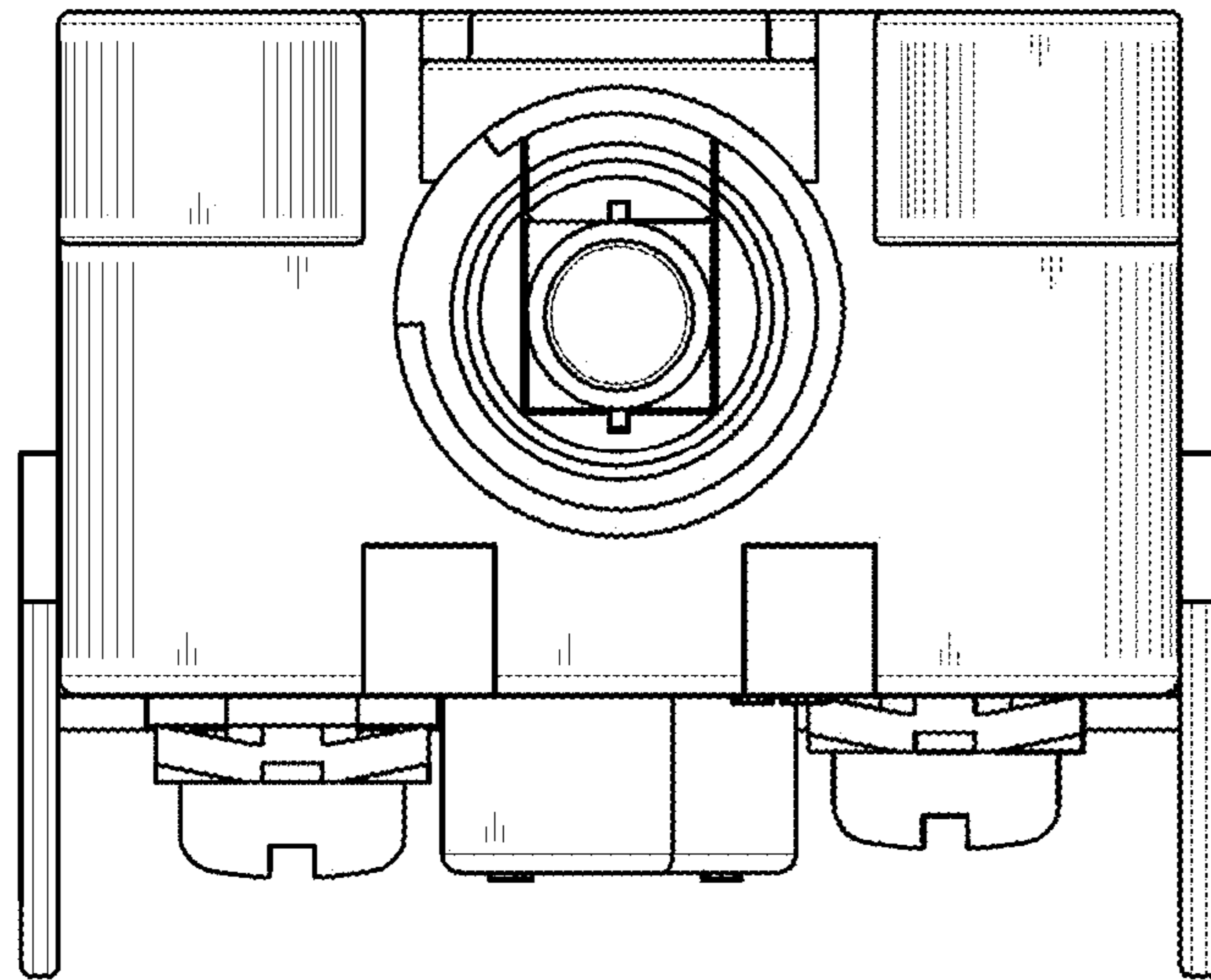


Fig. 8

