



US00D718255S

(12) **United States Design Patent**
Garcia et al.

(10) **Patent No.:** **US D718,255 S**

(45) **Date of Patent:** **** Nov. 25, 2014**

(54) **FUSE HOLDER BASE**

(75) Inventors: **Jose Belver Garcia**, Cornella de Llobregat (ES); **Jose Manuel Durante Ballesteros**, Cornella de Llobregat (ES)

(73) Assignee: **DF, S.A.**, Cornella de Llobregat (ES)

(**) Term: **14 Years**

(21) Appl. No.: **29/423,511**

(22) Filed: **Jun. 1, 2012**

(51) **LOC (10) Cl.** **13-03**

(52) **U.S. Cl.**
USPC **D13/161**

(58) **Field of Classification Search**
USPC D13/160, 161, 178; 337/186, 187, 198, 337/207, 208, 211, 227, 231, 238, 242; 361/104, 833, 835; 439/620.26
See application file for complete search history.

(56) **References Cited**

U.S. PATENT DOCUMENTS

D348,048	S	*	6/1994	Marach et al.	D13/160
D367,041	S	*	2/1996	Alfaro et al.	D13/160
5,616,054	A	*	4/1997	Quinlan	439/620.26
5,969,587	A	*	10/1999	Combas	335/132
D452,484	S	*	12/2001	Milanczak	D13/161
D461,781	S	*	8/2002	Fukumori et al.	D13/161
6,759,939	B2	*	7/2004	Sudan et al.	337/211
D550,630	S	*	9/2007	Wang et al.	D13/160
7,355,503	B2	*	4/2008	Buettner	337/211
7,561,018	B2	*	7/2009	Buettner	337/189

8,310,333	B2	*	11/2012	Ventura et al.	337/211
2010/0259355	A1	*	10/2010	Buettner et al.	337/187
2013/0023156	A1	*	1/2013	von zur Muehlen	439/620.26

* cited by examiner

Primary Examiner — Selina Sikder

(74) *Attorney, Agent, or Firm* — Edell, Shapiro & Finnann LLC

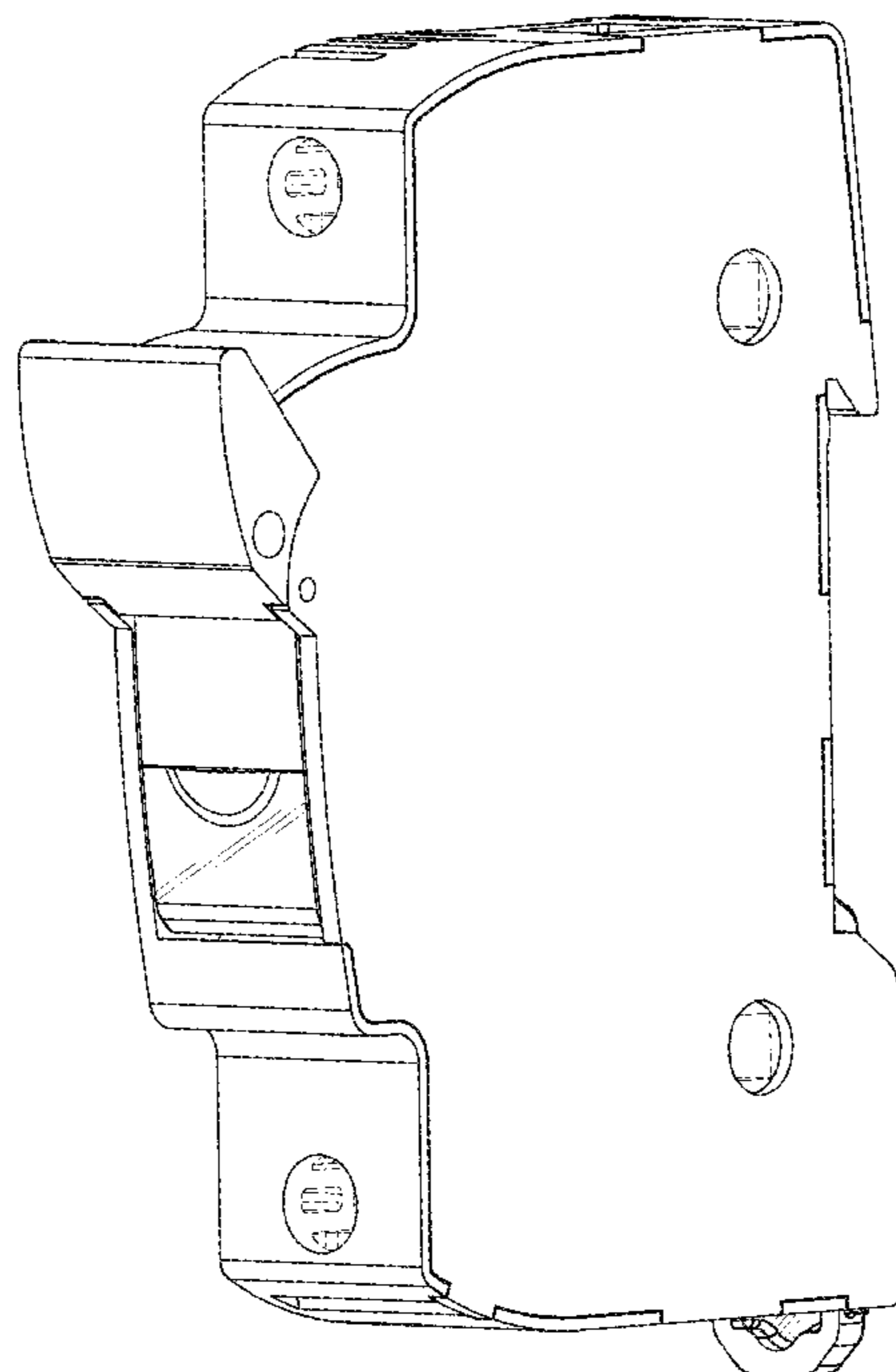
(57) **CLAIM**

The ornamental design for a fuse holder base, as shown and described.

DESCRIPTION

FIG. 1 is a right front perspective view of a fuse holder base showing our new design, with a label-holder of the fuse holder base shown in a closed position;
 FIG. 2 is a right front perspective view of the fuse holder base of FIG. 1 with the label-holder shown in a partially open position;
 FIG. 3 is a right front perspective view of the fuse holder base of FIG. 1 with the label-holder shown in a fully open position;
 FIG. 4 is a front elevation view of the fuse holder base of FIG. 1;
 FIG. 5 is a rear elevation view of the fuse holder base of FIG. 1;
 FIG. 6 is a left side elevation view of the fuse holder base of FIG. 1;
 FIG. 7 is a right side elevation view of the fuse holder base of FIG. 1;
 FIG. 8 is a bottom plan view of the fuse holder base of FIG. 1; and,
 FIG. 9 is a top plan view of the fuse holder base of FIG. 1.
 The portions shown in phantom (broken lines) are for illustrative purposes only and form no part of the claimed design.

1 Claim, 6 Drawing Sheets



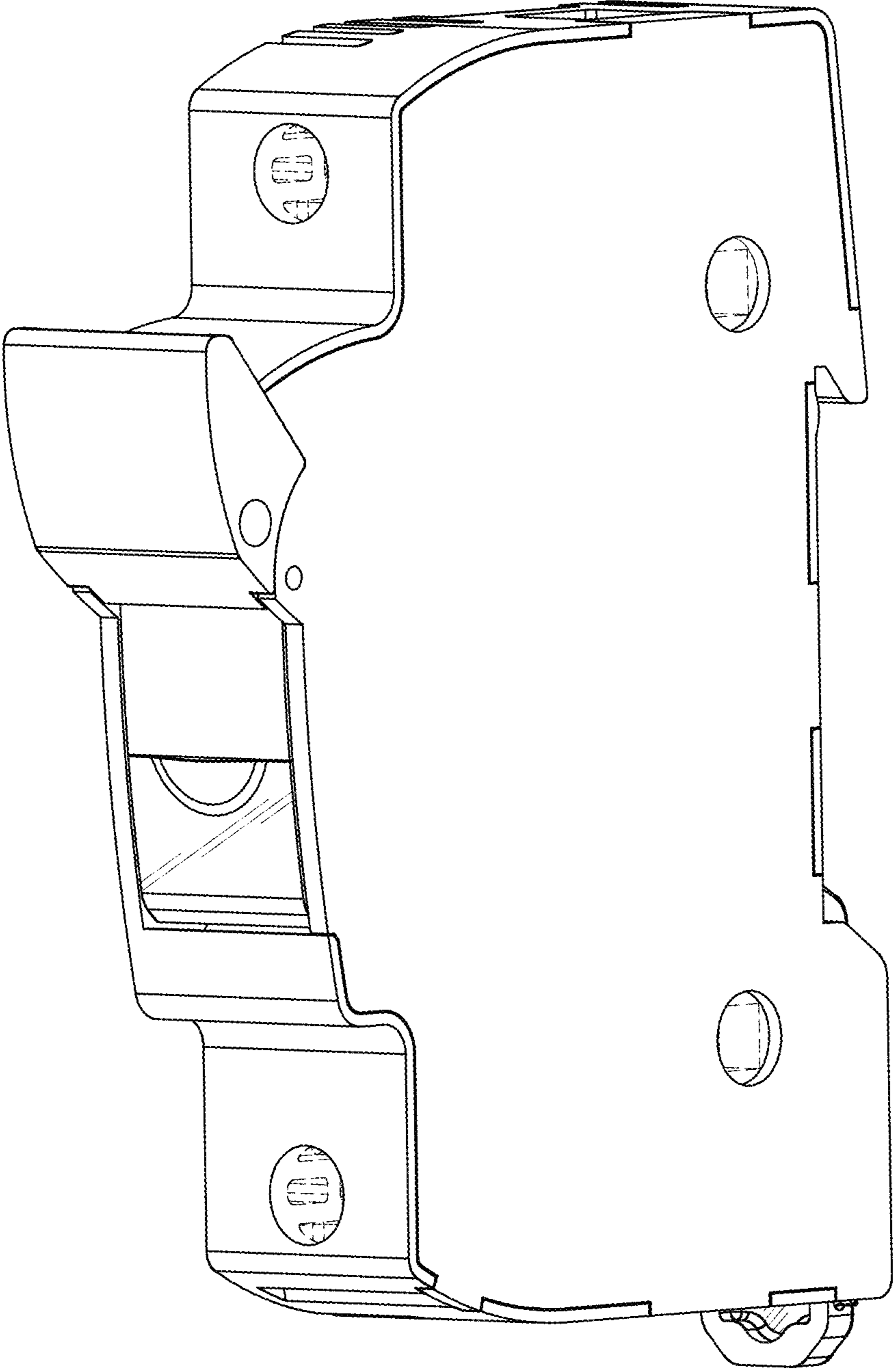


FIG.1

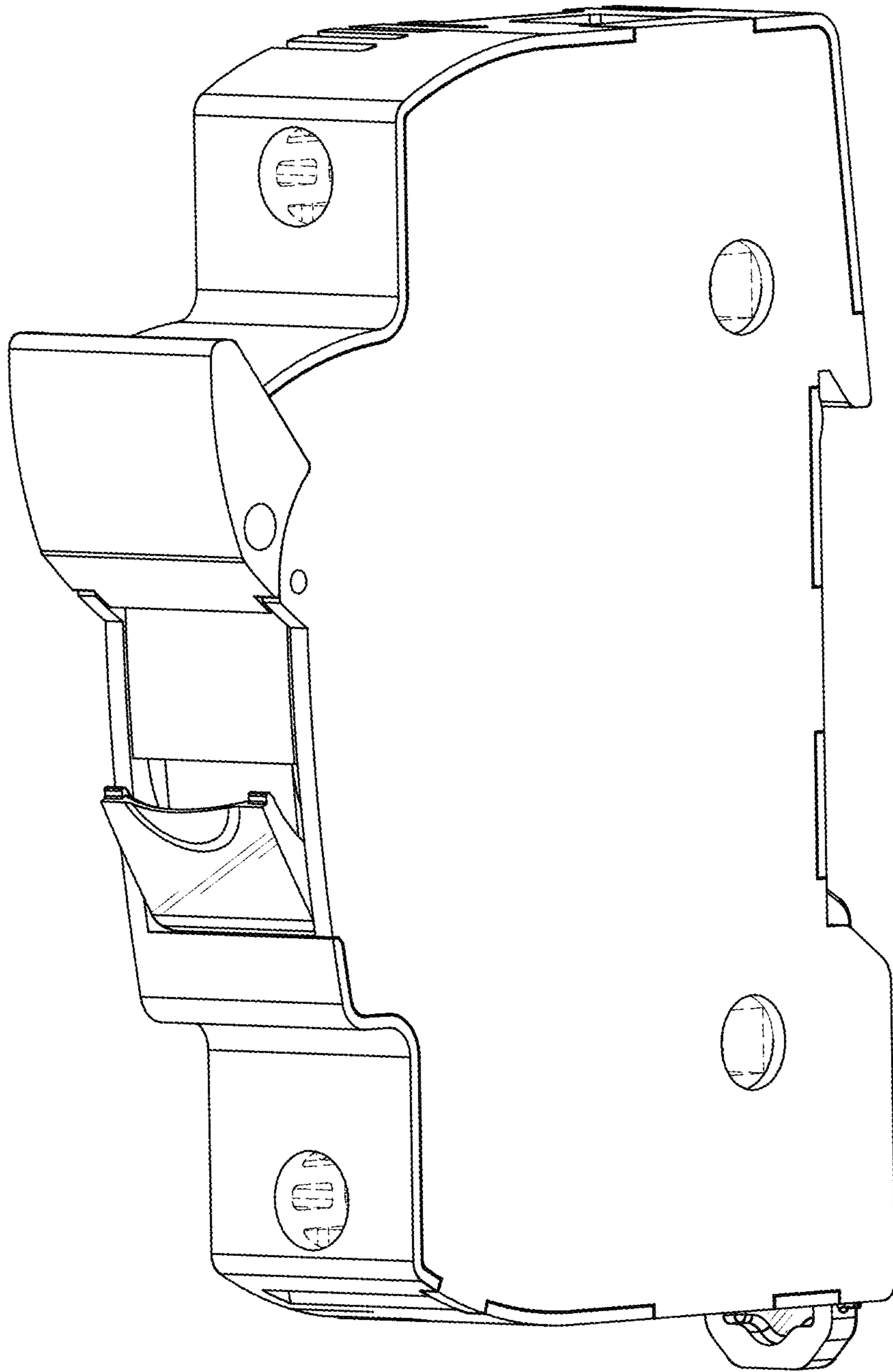


FIG.2

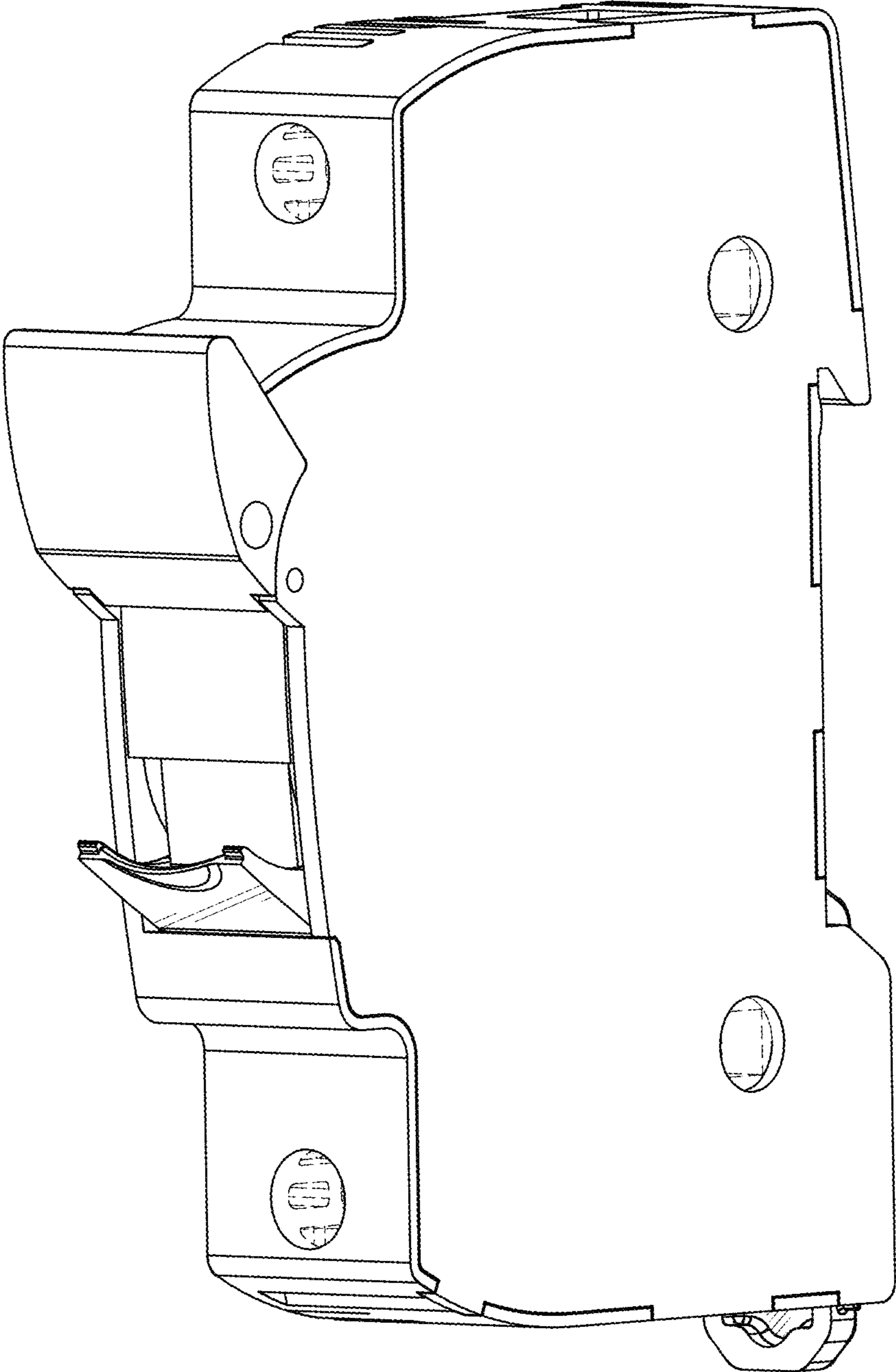


FIG.3

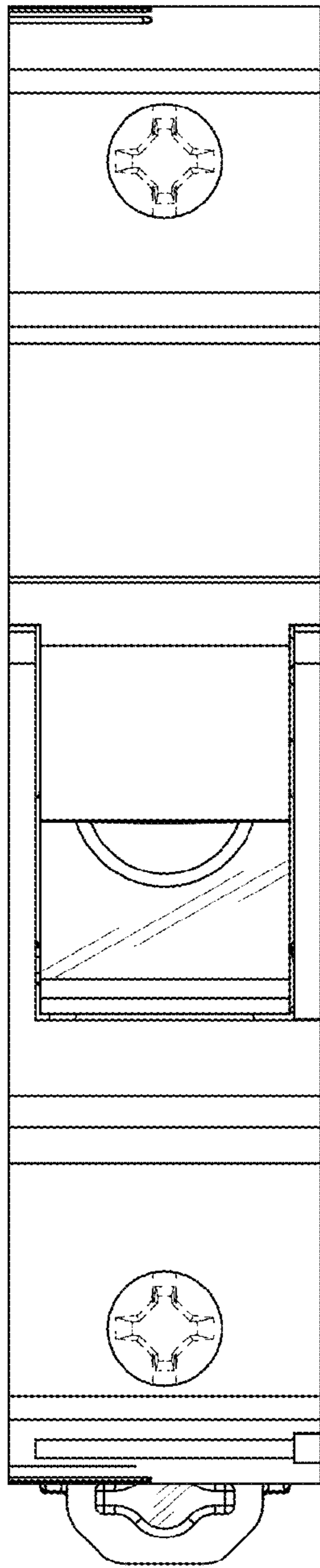


FIG.4

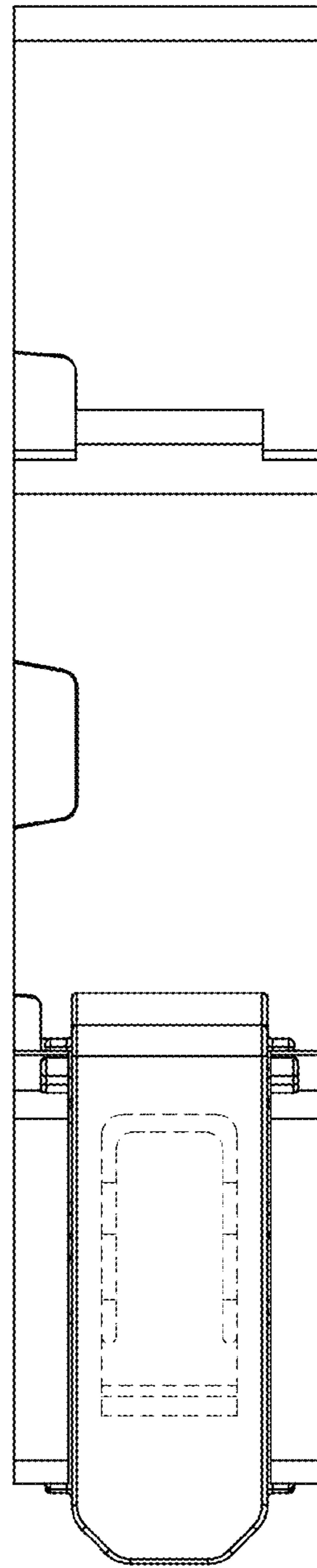


FIG.5

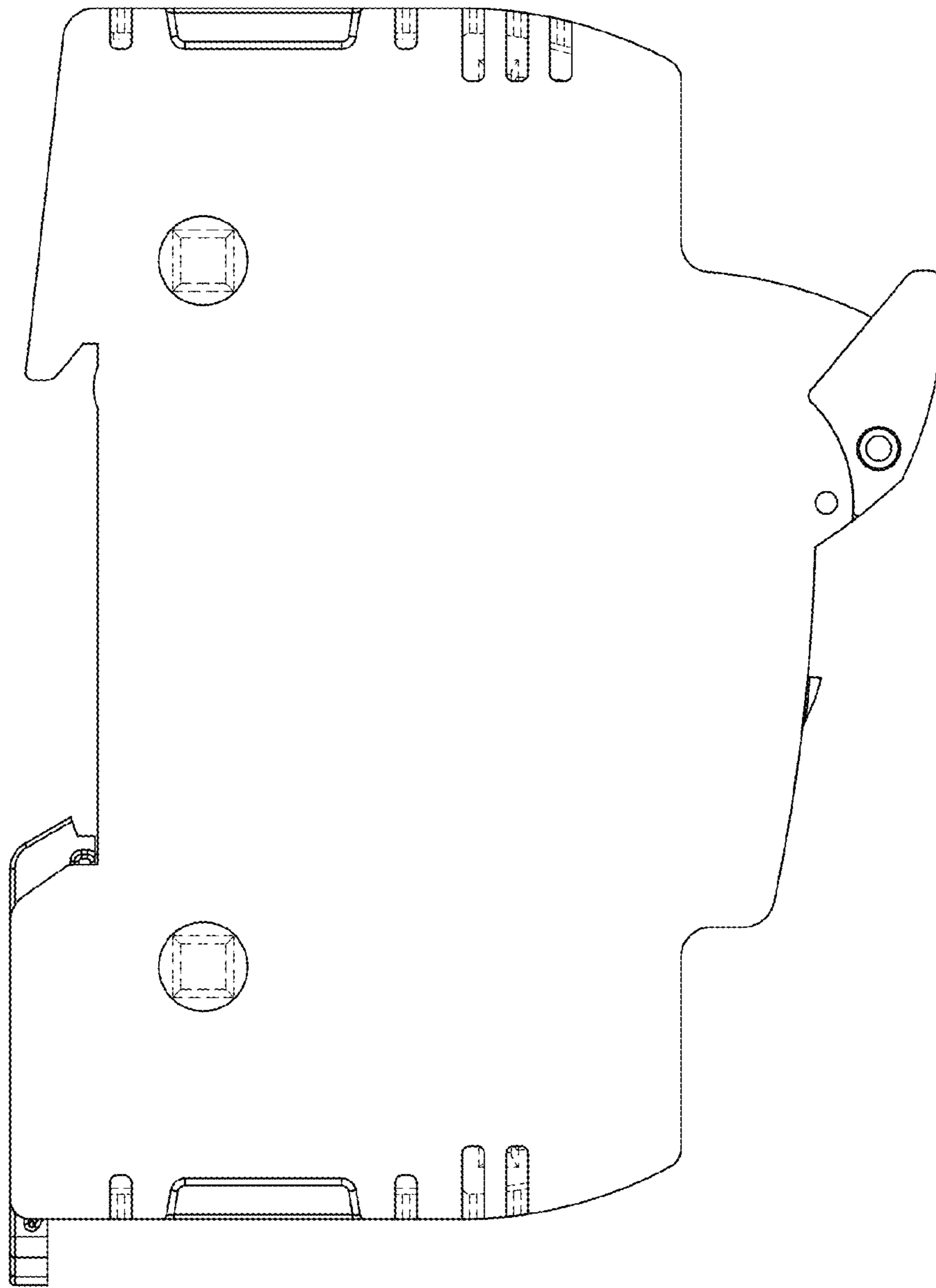


FIG.6

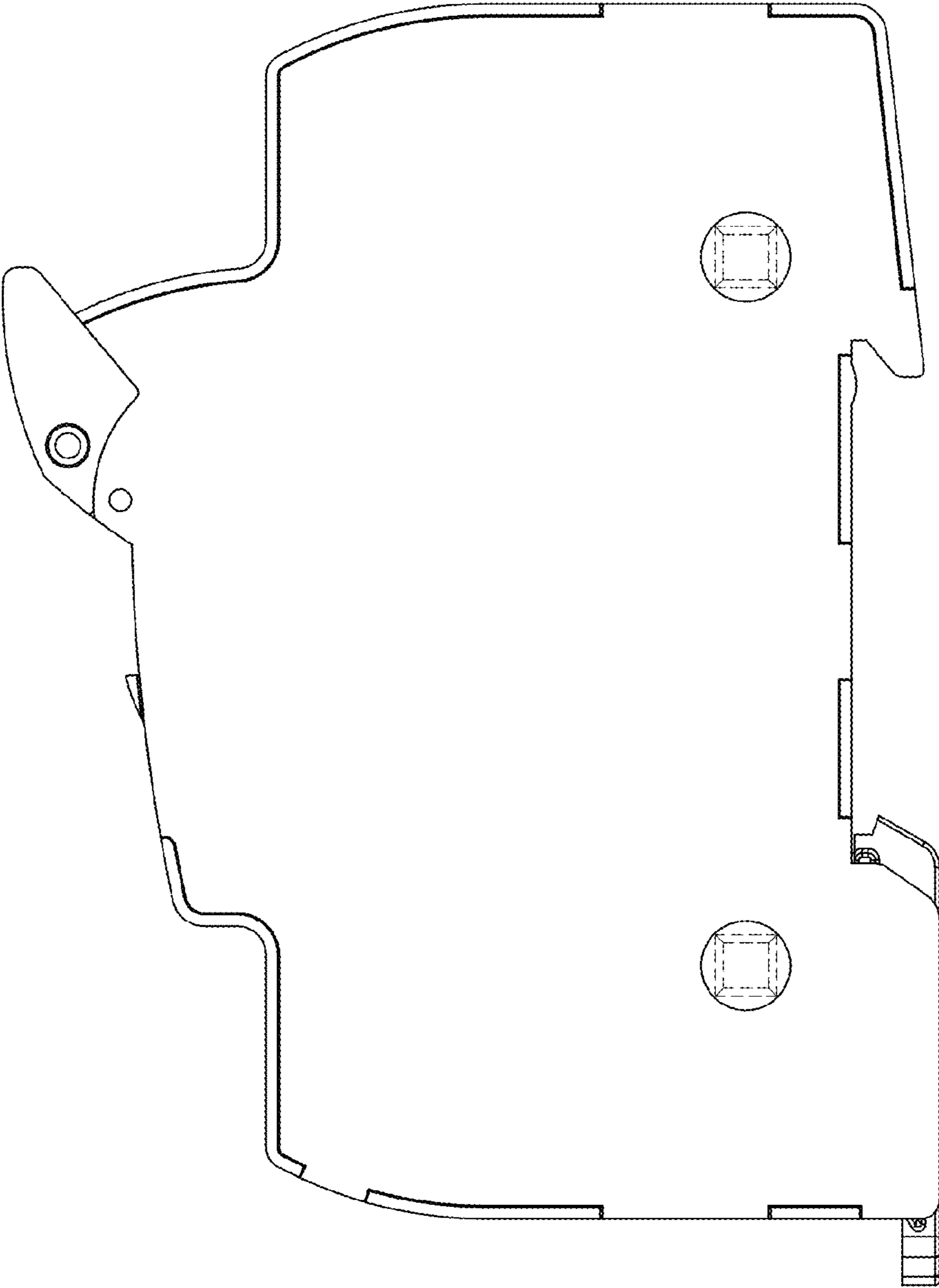


FIG.7