



US00D718252S

(12) **United States Design Patent**
Kawamura et al.

(10) **Patent No.:** **US D718,252 S**
(45) **Date of Patent:** **** Nov. 25, 2014**

(54) **ELECTRICAL CONNECTOR**

(71) Applicant: **Japan Aviation Electronics Industry, Limited**, Tokyo (JP)

(72) Inventors: **Chikara Kawamura**, Tokyo (JP);
Yukitaka Tanaka, Tokyo (JP)

(73) Assignee: **Japan Aviation Electronics Industry, Limited**, Tokyo (JP)

(**) Term: **14 Years**

(21) Appl. No.: **29/487,465**

(22) Filed: **Apr. 9, 2014**

(30) **Foreign Application Priority Data**

Oct. 22, 2013 (JP) 2013-024568

(51) **LOC (10) Cl.** **13-03**

(52) **U.S. Cl.**
USPC **D13/147**

(58) **Field of Classification Search**

USPC D13/133, 146, 147, 154, 184, 199;
439/74, 108, 180, 246, 252, 258, 278,
439/374, 378, 379, 381, 527, 529, 533, 660,
439/717, 865-894, 953; 174/16.3; 257/697,
257/727; 361/769

See application file for complete search history.

(56) **References Cited**

U.S. PATENT DOCUMENTS

D431,025 S *	9/2000	Lok	D13/147
D432,992 S *	10/2000	Lok	D13/147
D465,202 S *	11/2002	Kubota	D13/147
D507,780 S *	7/2005	Wang	D13/147
D585,829 S *	2/2009	Ko et al.	D13/147
D611,909 S *	3/2010	Wu et al.	D13/147
D636,733 S *	4/2011	Wang et al.	D13/147
D682,216 S *	5/2013	Sato	
D709,037 S *	7/2014	Katayanagi	D13/147

* cited by examiner

Primary Examiner — Daniel Bui

(74) *Attorney, Agent, or Firm* — Cermak Nakajima
McGowan LLP; Tomoko Nakajima

(57) **CLAIM**

The ornamental design for an electrical connector, as shown.

DESCRIPTION

FIG. 1 is a front elevational view of an electrical connector showing our new design;

FIG. 2 is a top plan view thereof;

FIG. 3 is a right side elevational view thereof;

FIG. 4 is a left side elevational view thereof;

FIG. 5 is a rear elevational view thereof; and

FIG. 6 is a bottom plan view thereof.

FIG. 7 is a front and top perspective view thereof;

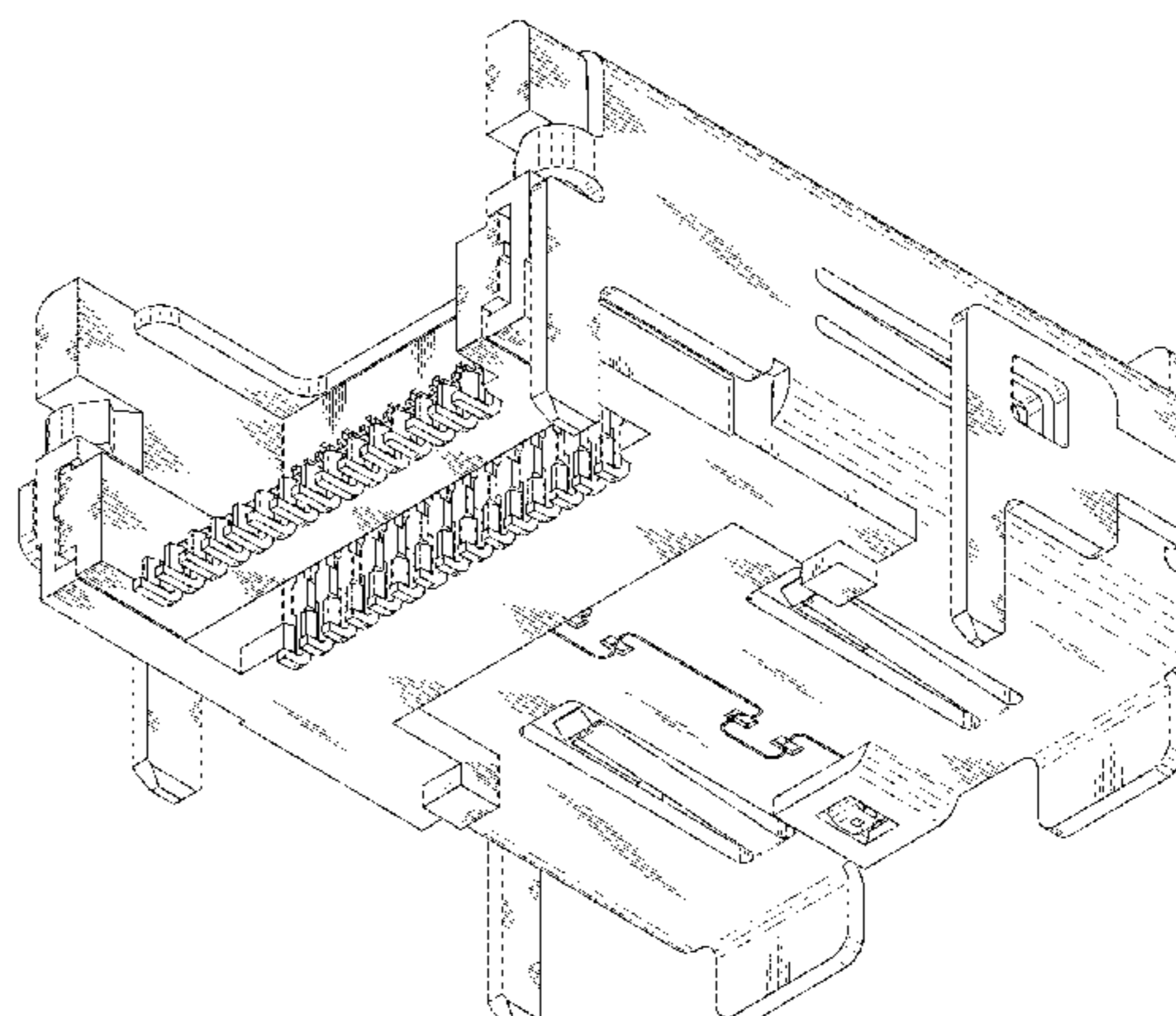
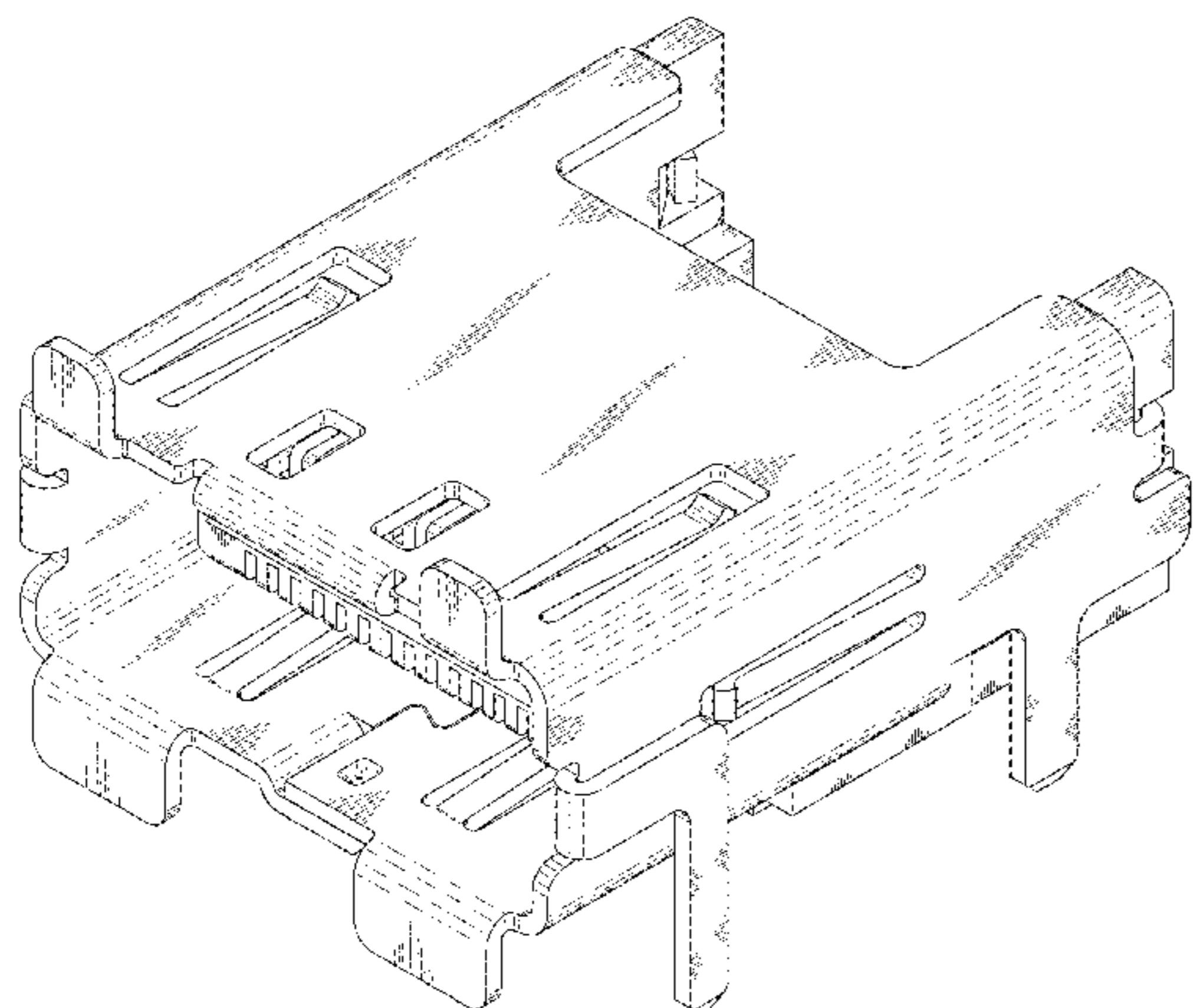
FIG. 8 is a rear and top perspective view thereof;

FIG. 9 is a front and bottom perspective view thereof; and,

FIG. 10 is a rear and bottom perspective view thereof.

The broken line in the figure drawing views is included for the purpose of illustrating unclaimed environment and forms no part of the claimed design.

1 Claim, 10 Drawing Sheets



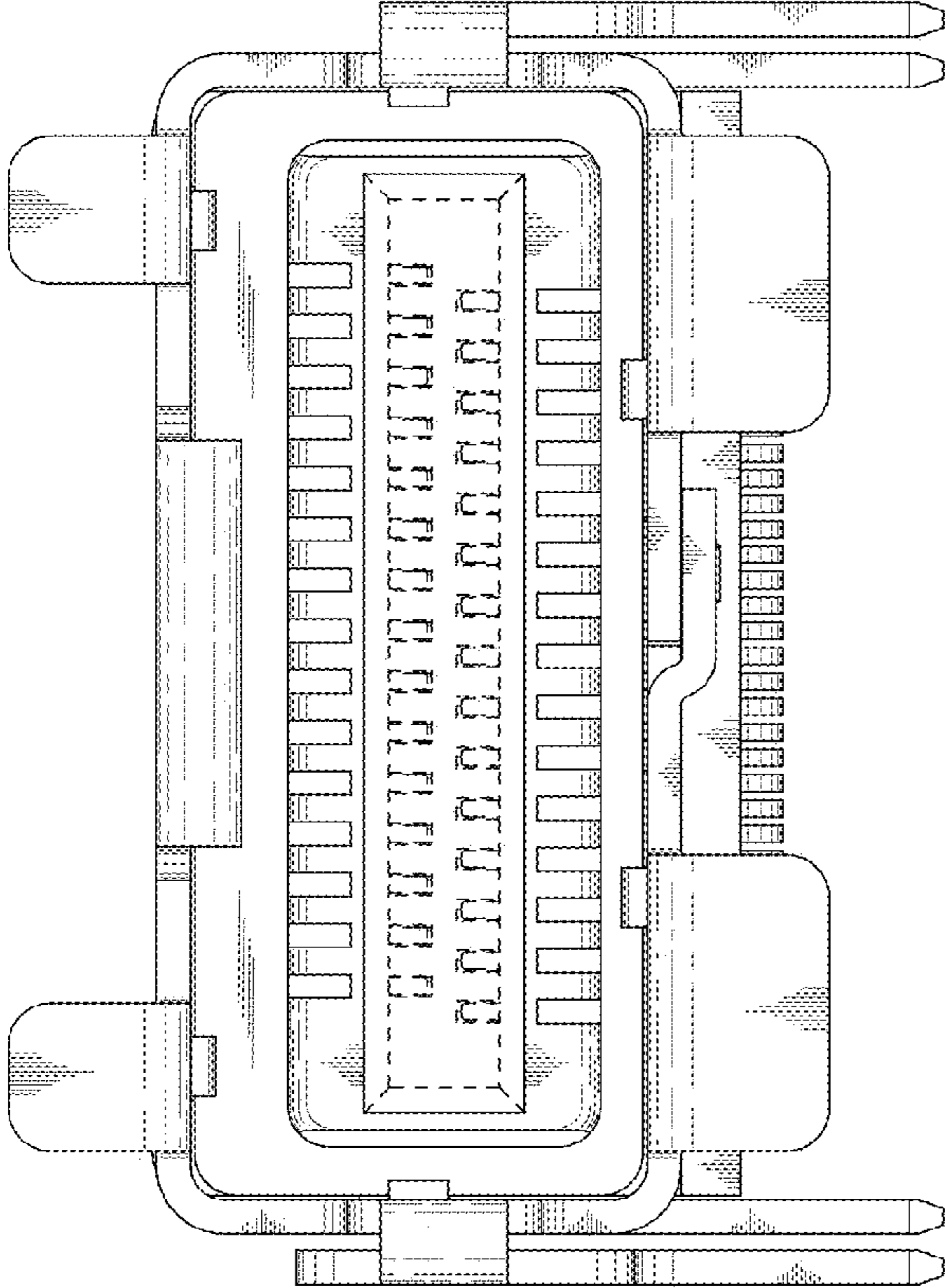


FIG.1

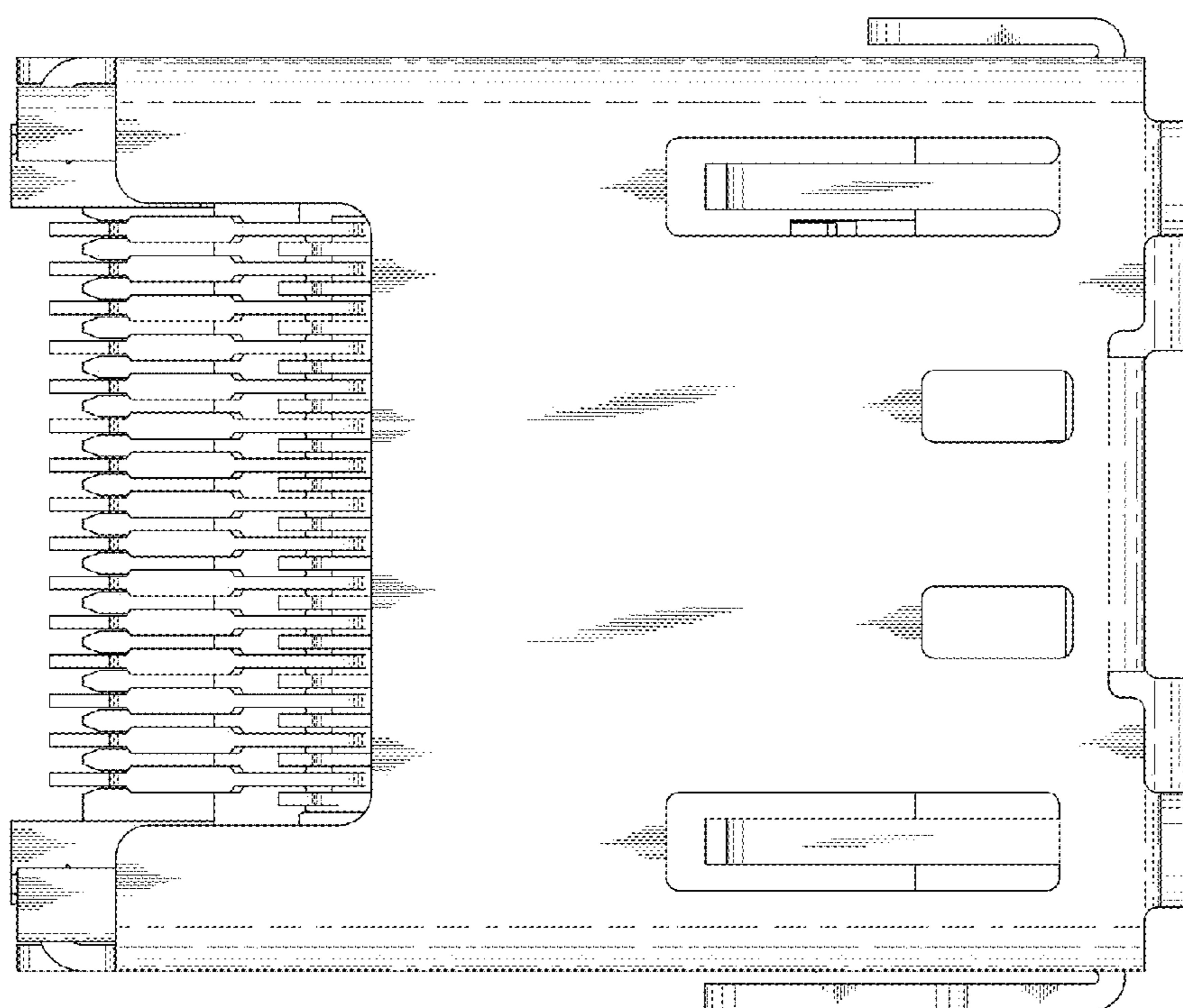


FIG. 2

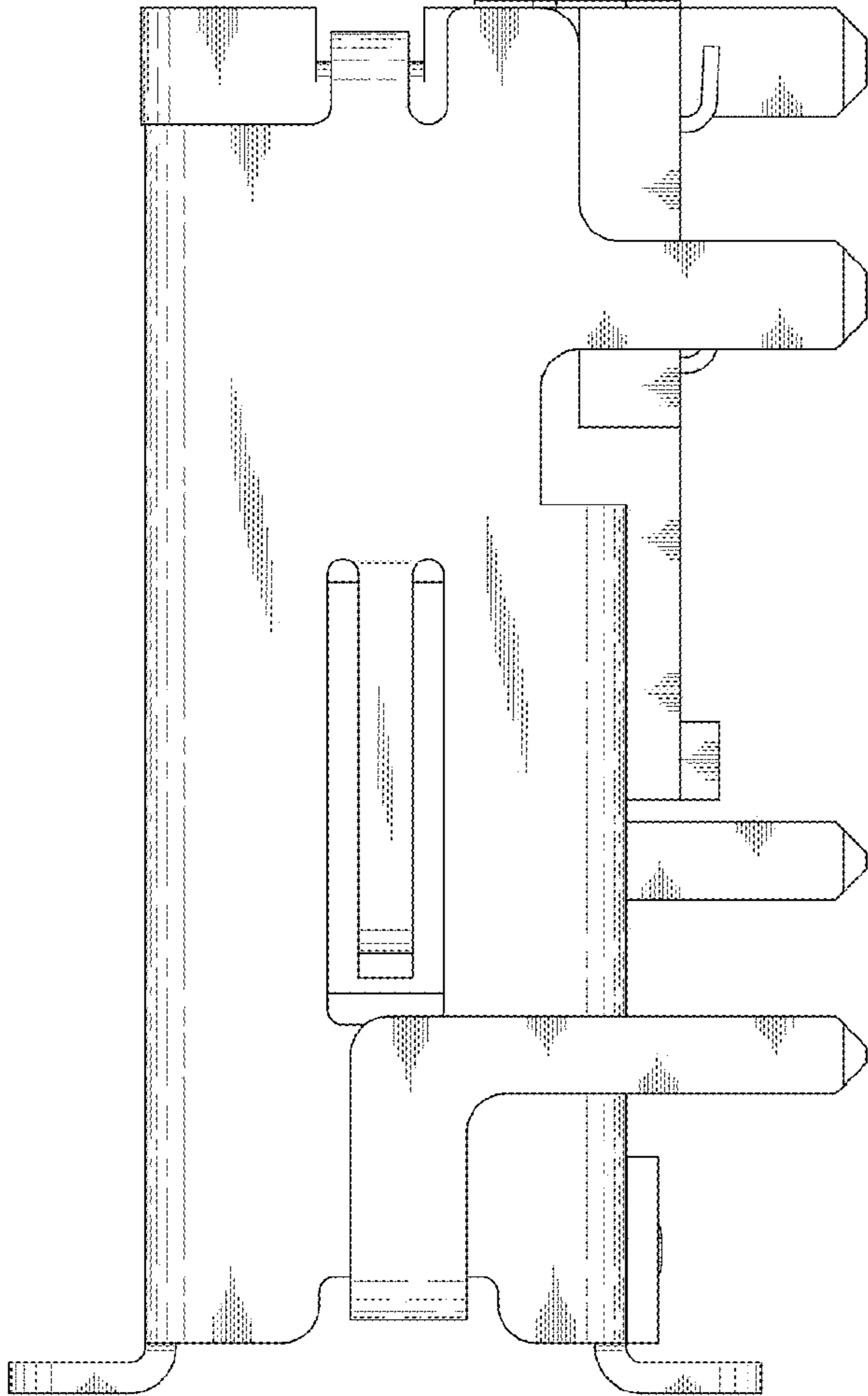


FIG.3

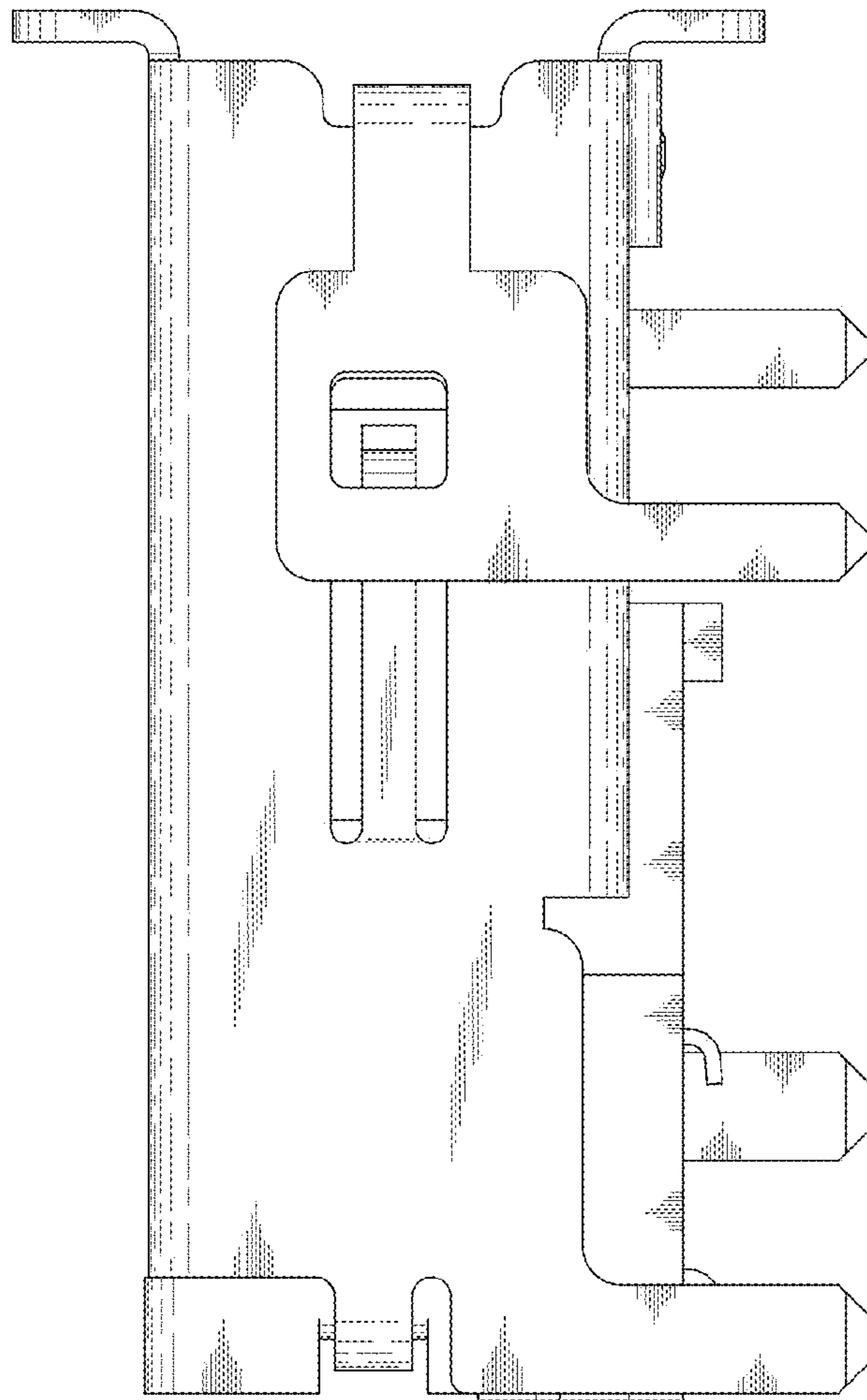


FIG.4

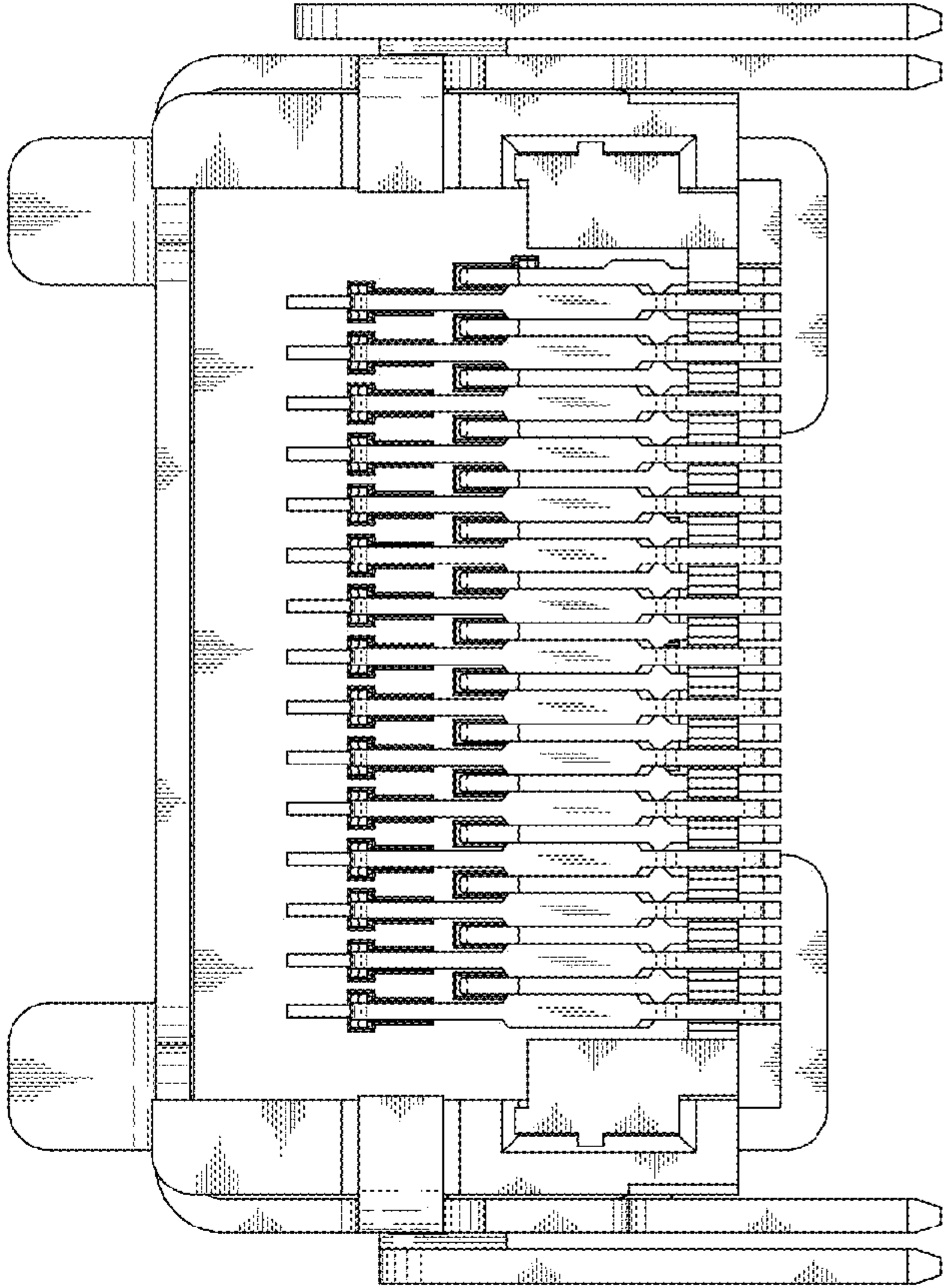


FIG.5

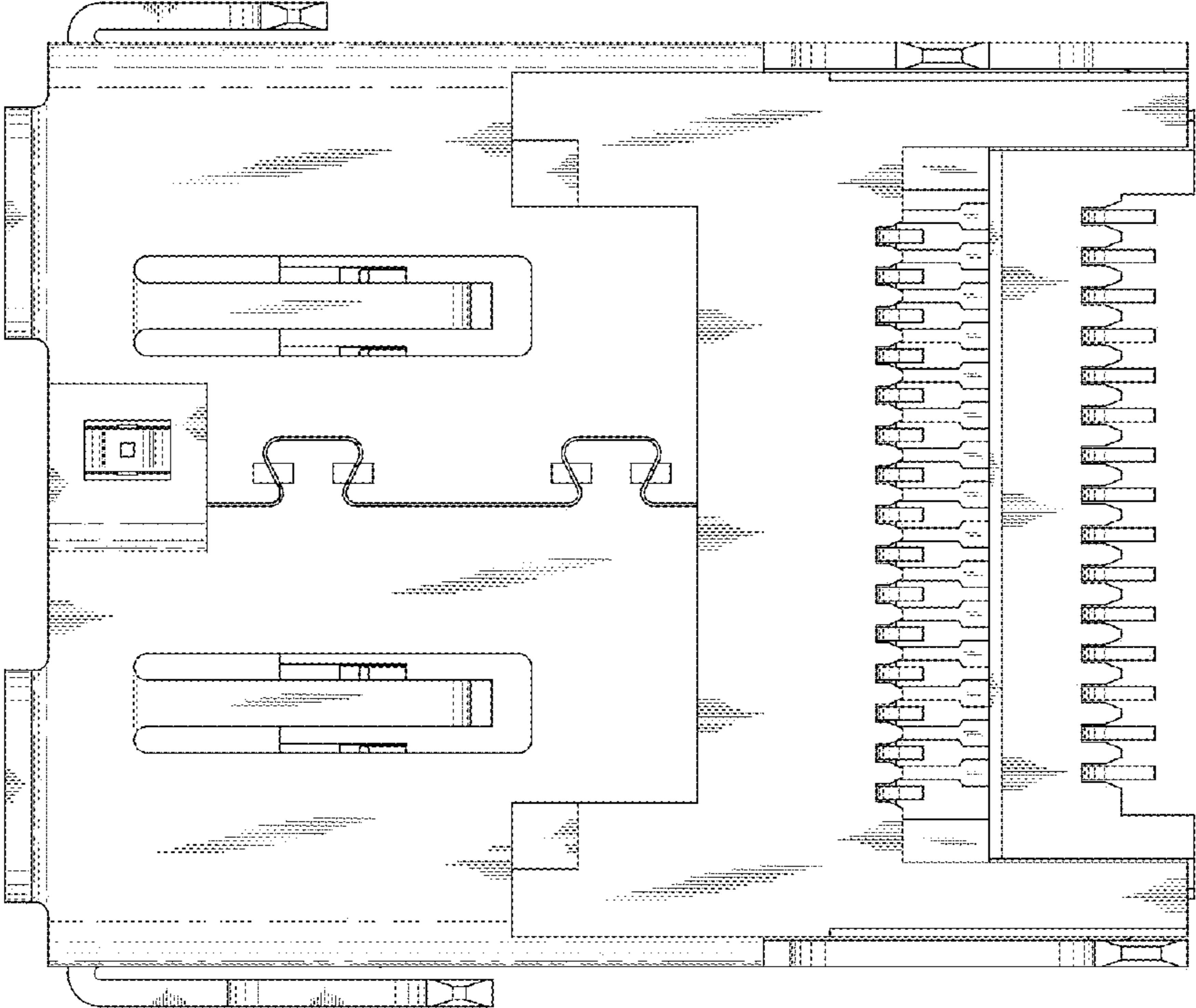


FIG.6

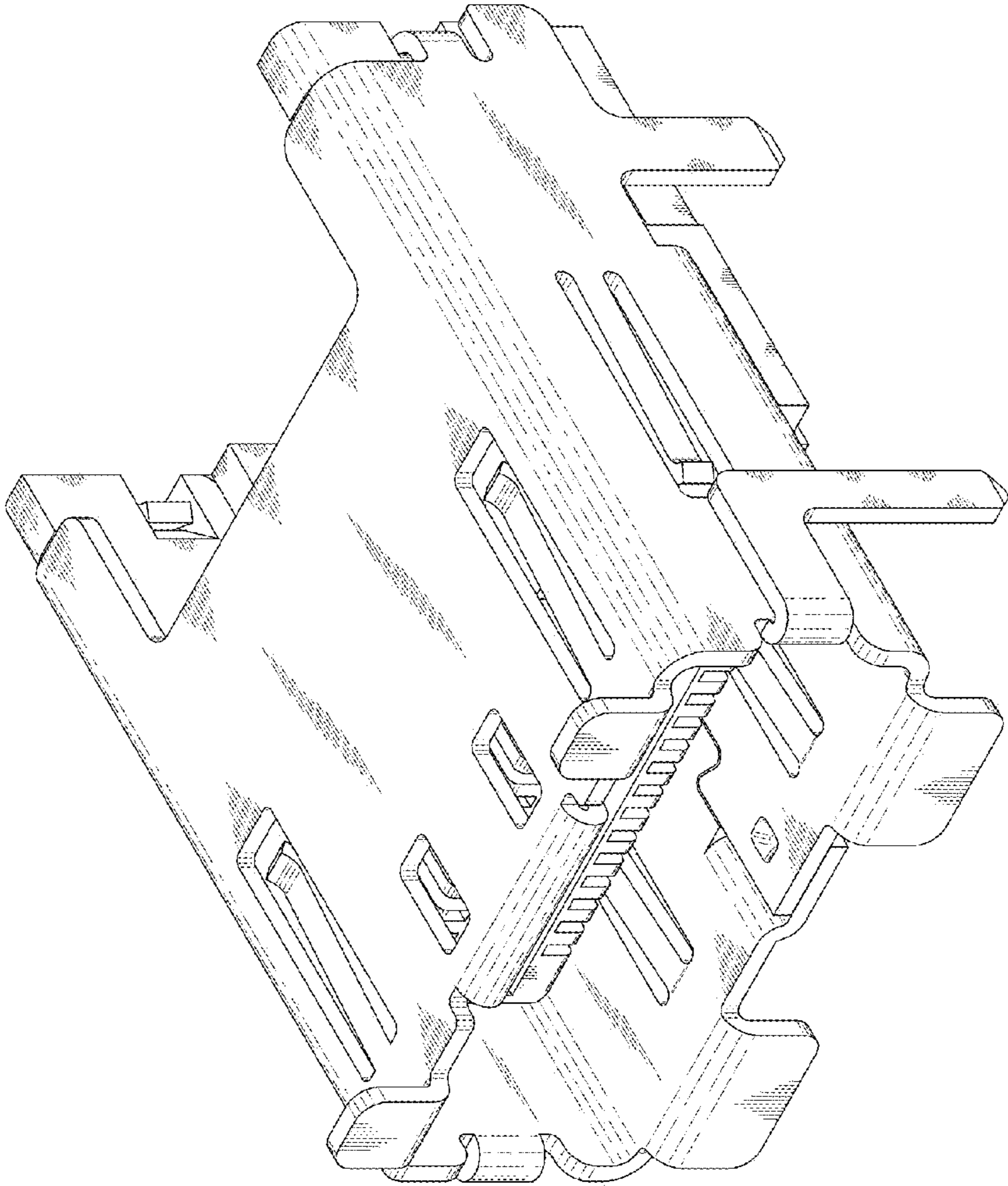


FIG.7

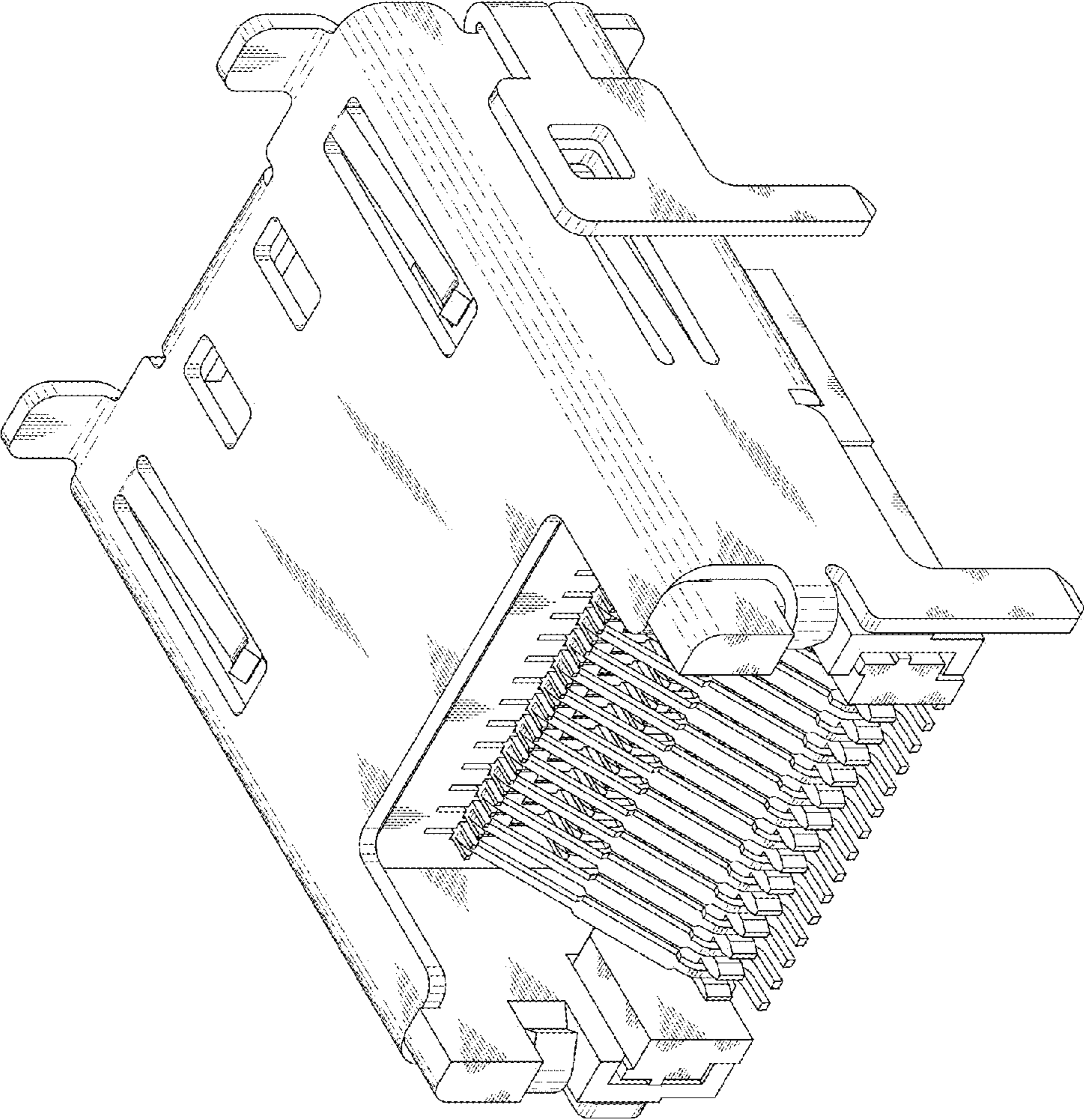


FIG.8

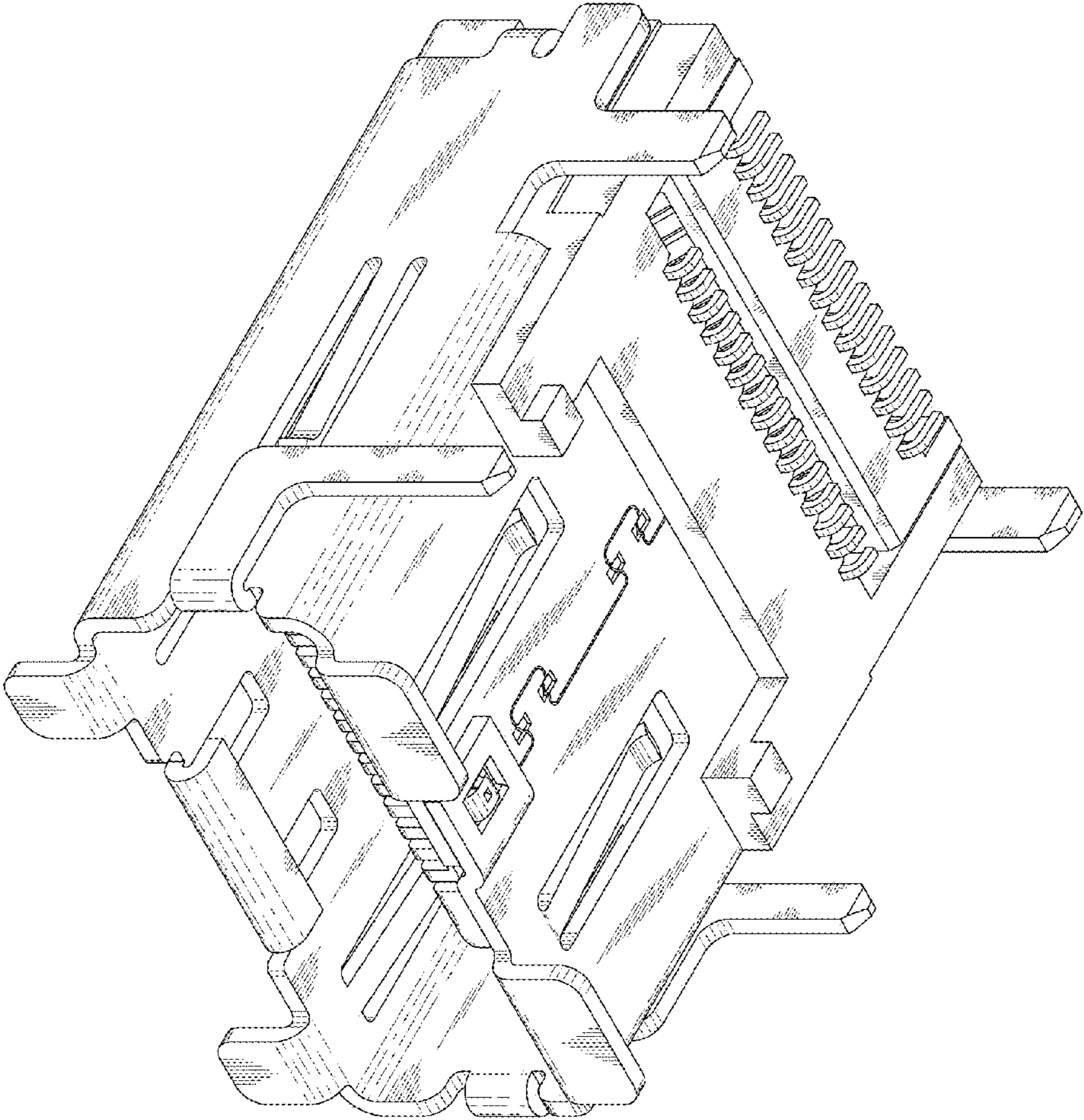


FIG. 9

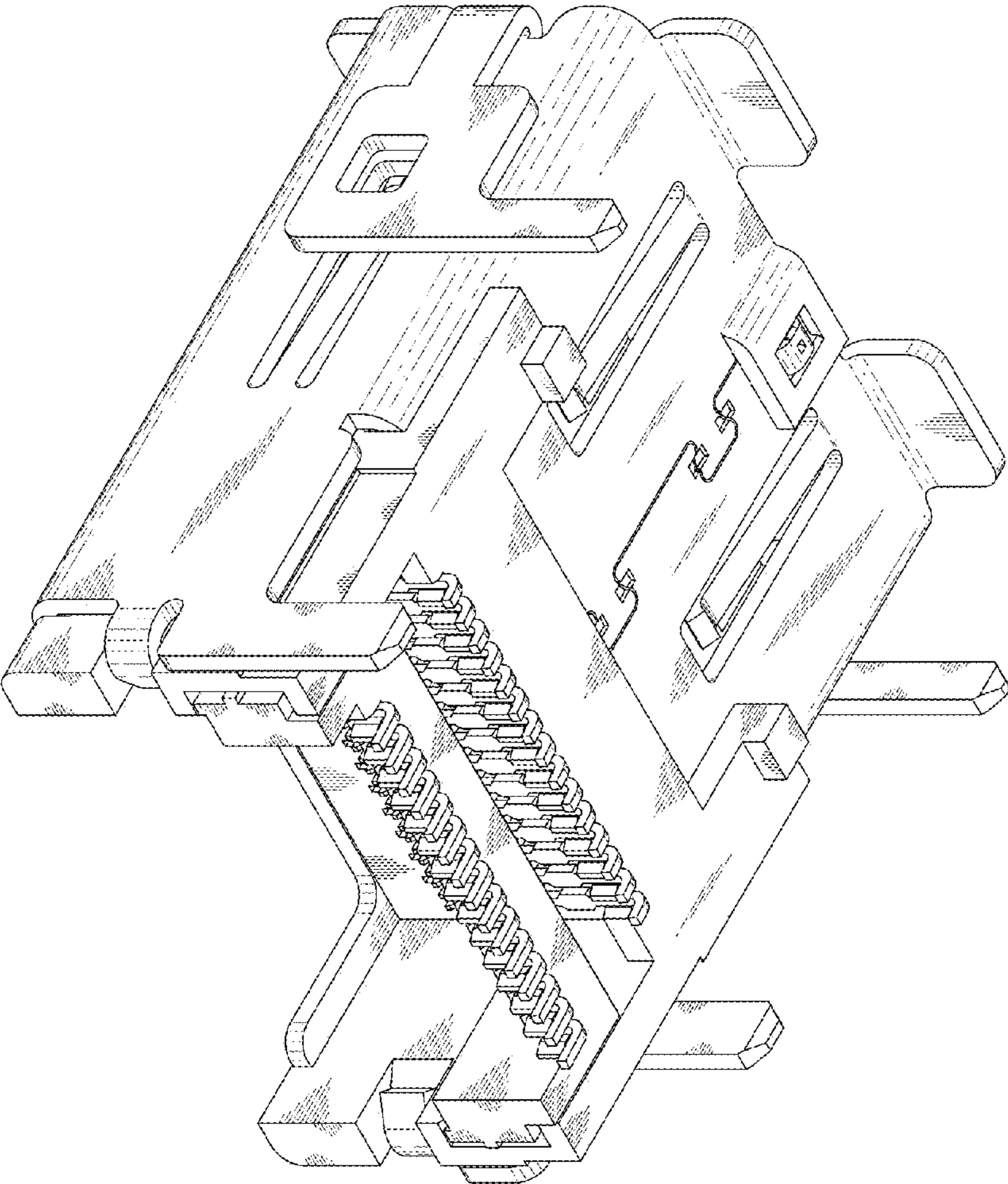


FIG.10