

US00D718251S

(12) **United States Design Patent**  
**Katayanagi**

(10) **Patent No.:** **US D718,251 S**

(45) **Date of Patent:** **\*\* Nov. 25, 2014**

(54) **ELECTRICAL CONNECTOR**

(56) **References Cited**

(71) Applicant: **Japan Aviation Electronics Industry, Limited**, Tokyo (JP)

(72) Inventor: **Masayuki Katayanagi**, Tokyo (JP)

(73) Assignee: **Japan Aviation Electronics Industry, Limited**, Tokyo (JP)

(\*\*) Term: **14 Years**

(21) Appl. No.: **29/481,927**

(22) Filed: **Feb. 12, 2014**

(30) **Foreign Application Priority Data**

Sep. 4, 2013 (JP) ..... 2013-020412

(51) **LOC (10) Cl.** ..... **13-03**

(52) **U.S. Cl.**  
USPC ..... **D13/147**

(58) **Field of Classification Search**  
USPC ..... D13/133, 146, 147, 154, 184, 199;  
439/74, 108, 180, 246, 252, 258, 278,  
439/374, 378, 379, 381, 527, 529, 533, 660,  
439/717, 865-894, 953; 174/16.3; 257/697,  
257/727; 361/769

See application file for complete search history.

U.S. PATENT DOCUMENTS

D465,202 S *	11/2002	Kubota	.....	D13/147
D488,446 S *	4/2004	Sato	.....	D13/147
D507,780 S *	7/2005	Wang	.....	D13/147
D682,216 S	5/2013	Sato		
D709,034 S *	7/2014	Katayanagi	.....	D13/147
D709,037 S *	7/2014	Katayanagi	.....	D13/147
D713,794 S *	9/2014	Katayanagi	.....	D13/147

\* cited by examiner

*Primary Examiner* — Daniel Bui  
(74) *Attorney, Agent, or Firm* — Cermak Nakajima McGowan LLP; Tomoko Nakajima

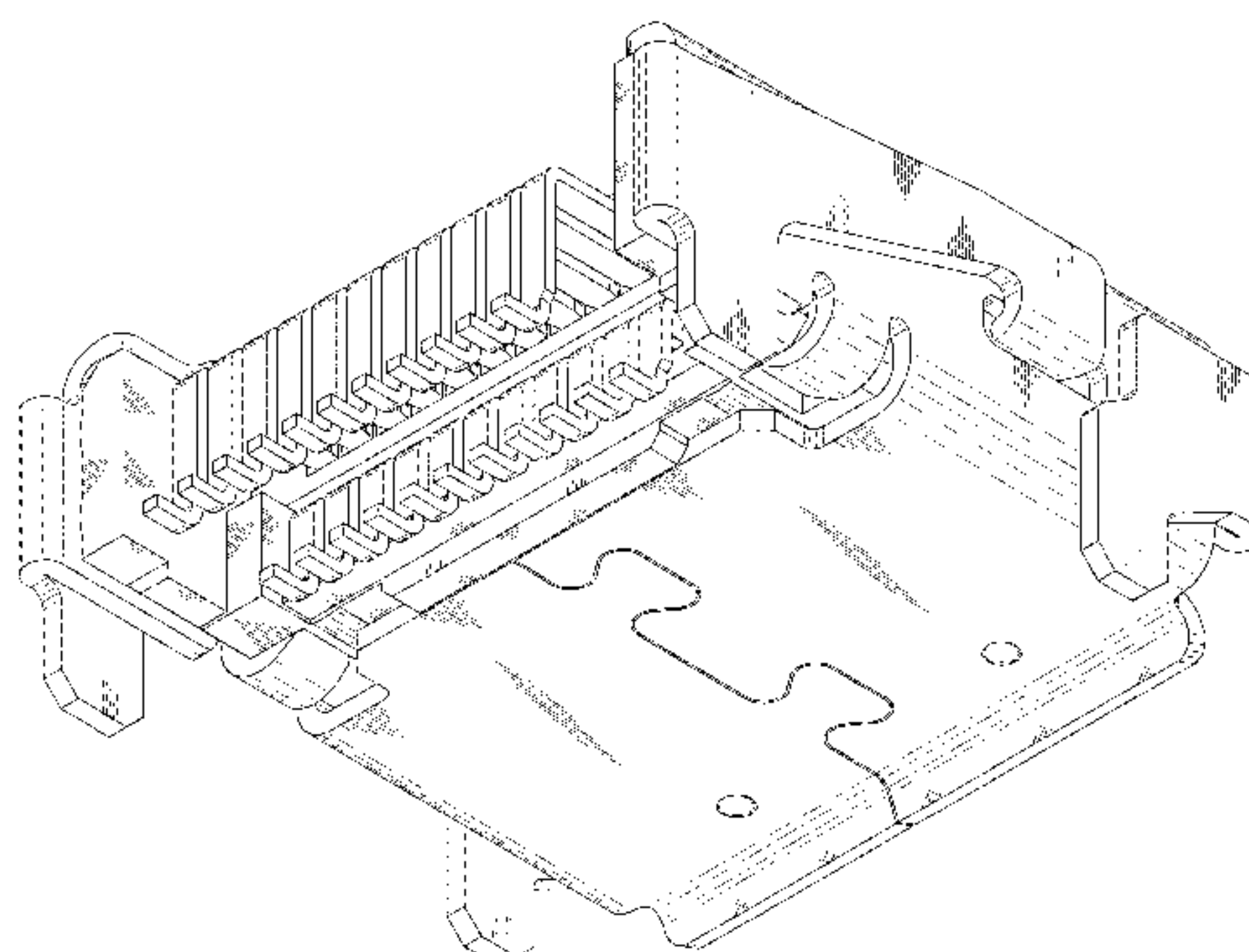
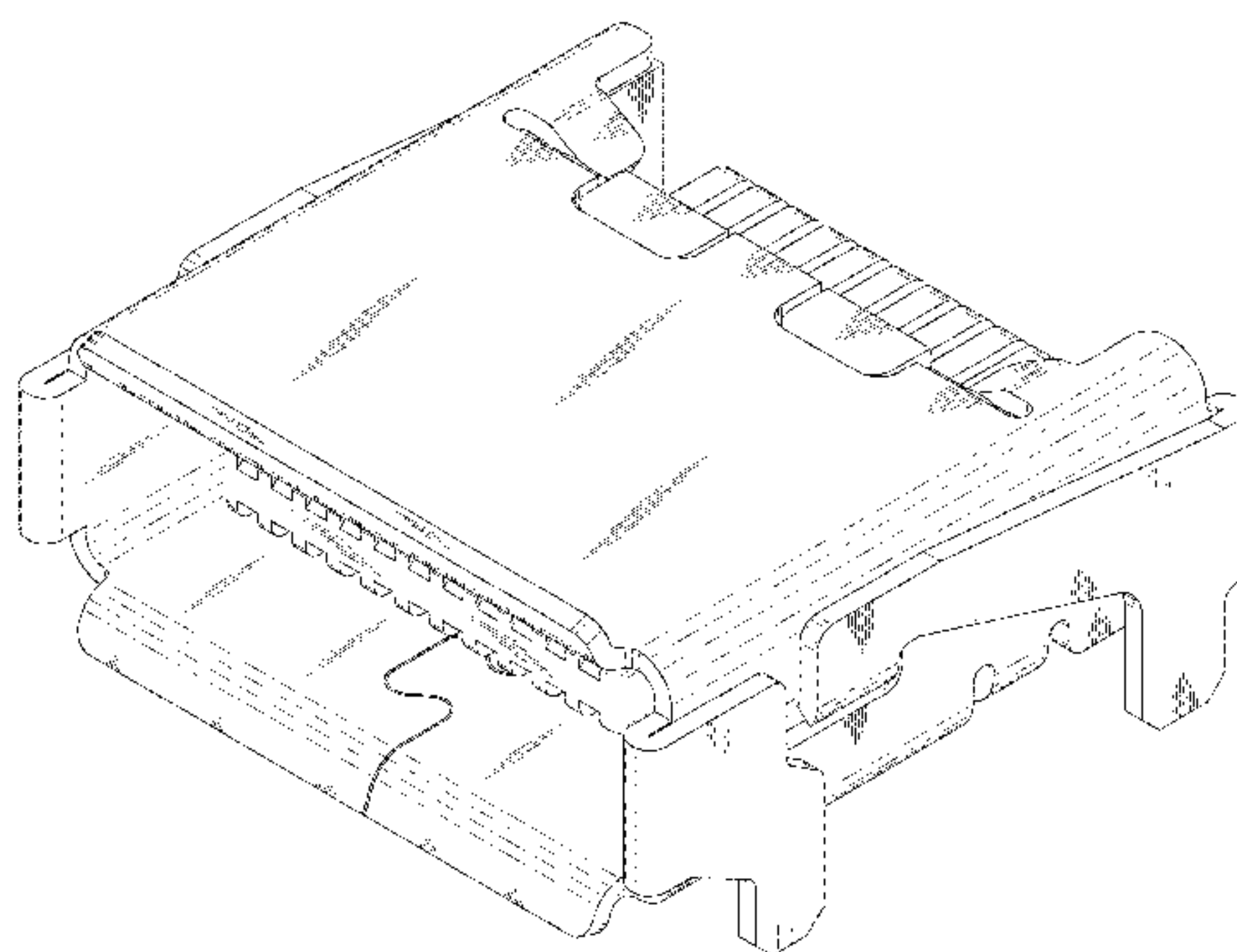
(57) **CLAIM**

The ornamental design for an electrical connector, as shown and described.

**DESCRIPTION**

FIG. 1 is a front elevational view of an electrical connector showing my new design;  
FIG. 2 is a top plan view thereof;  
FIG. 3 is a right side elevational view thereof;  
FIG. 4 is a left side elevational view thereof;  
FIG. 5 is a rear elevational view thereof; and  
FIG. 6 is a bottom plan view thereof.  
FIG. 7 is a front and top perspective view thereof;  
FIG. 8 is a rear and top perspective view thereof;  
FIG. 9 is a front and bottom perspective view thereof; and  
FIG. 10 is a rear and bottom perspective view thereof.  
The broken line in the drawing views is included to show unclaimed environment only and forms no part of the claimed design.

**1 Claim, 10 Drawing Sheets**



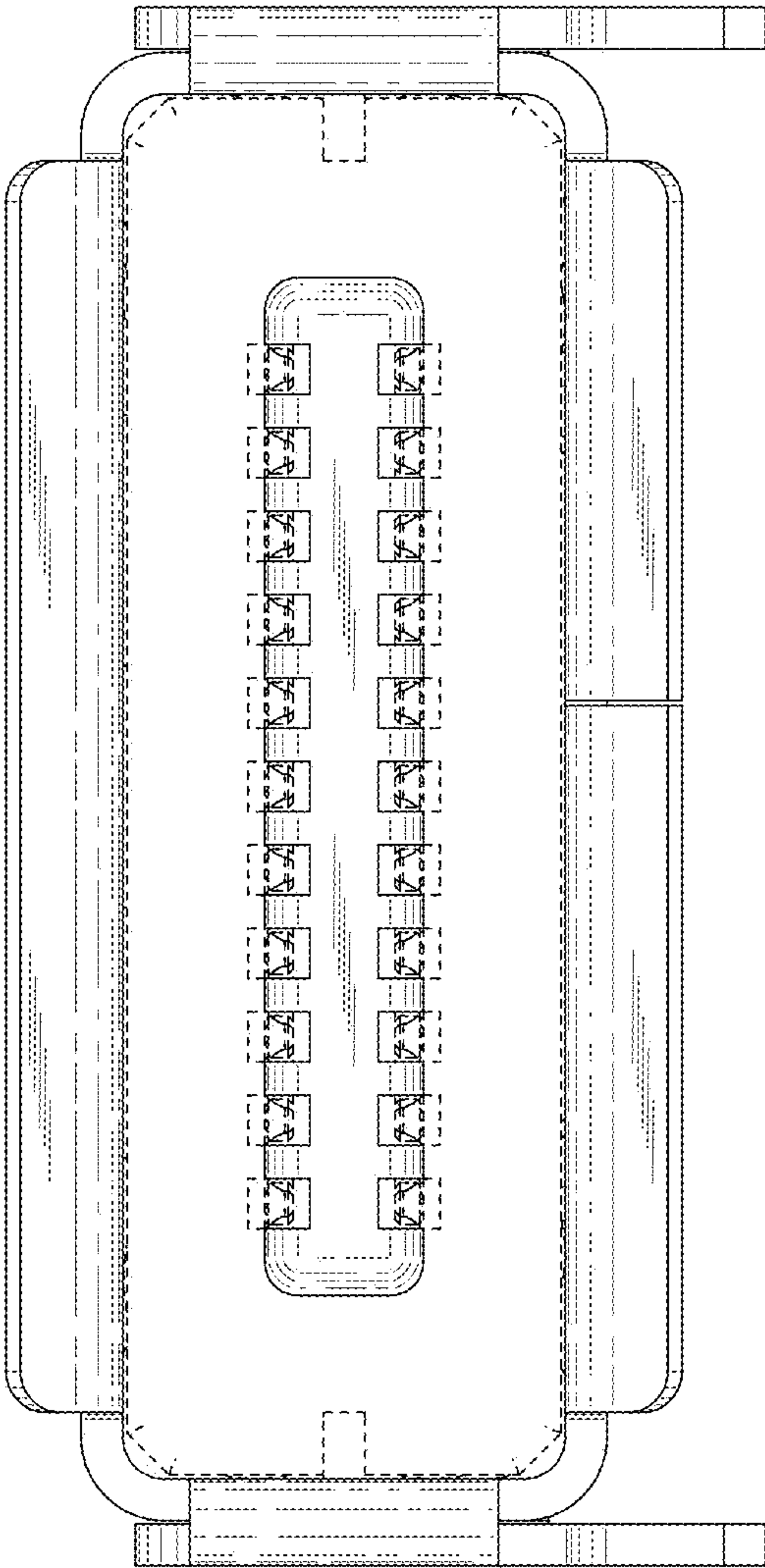


FIG.1

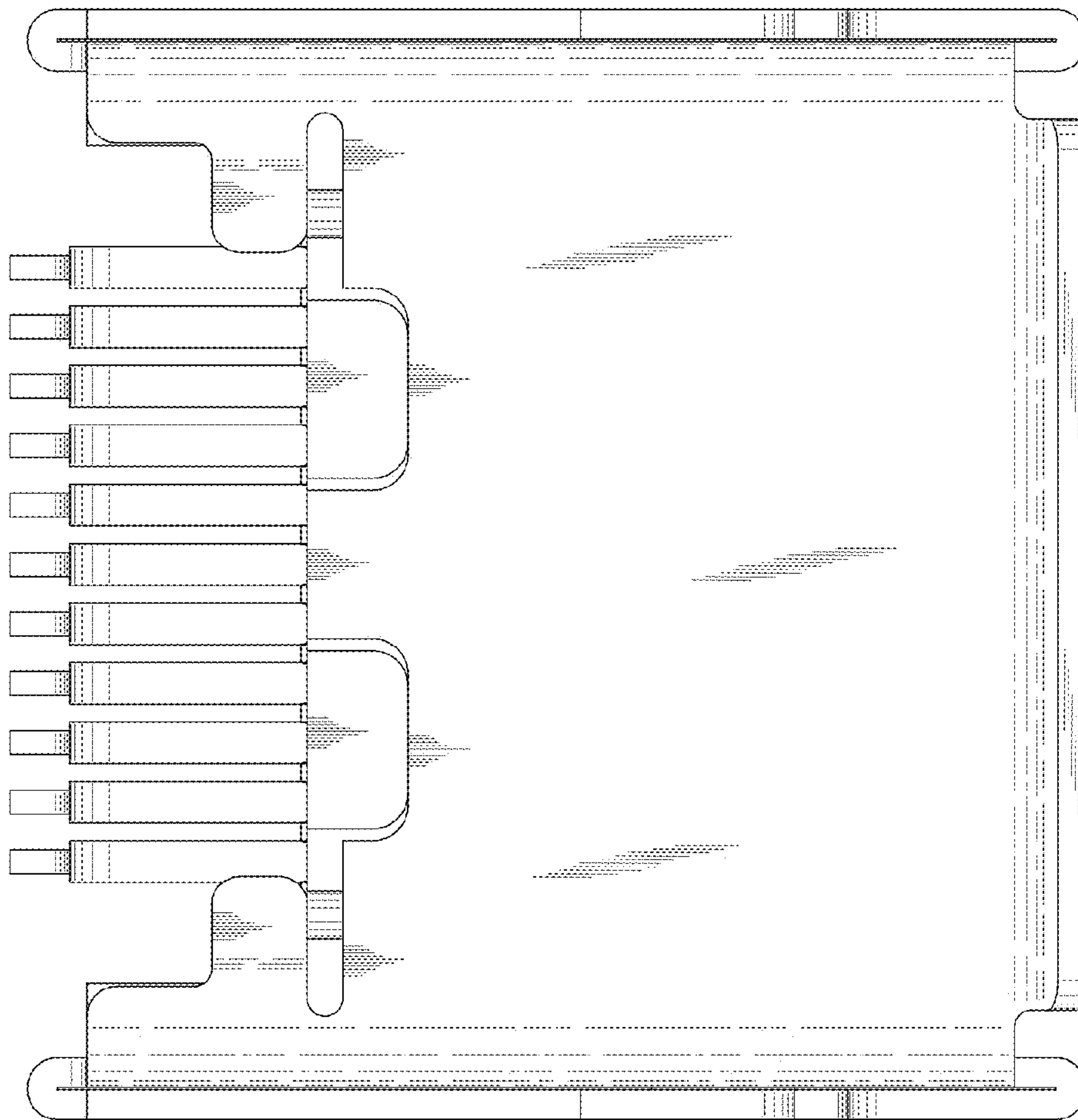


FIG.2

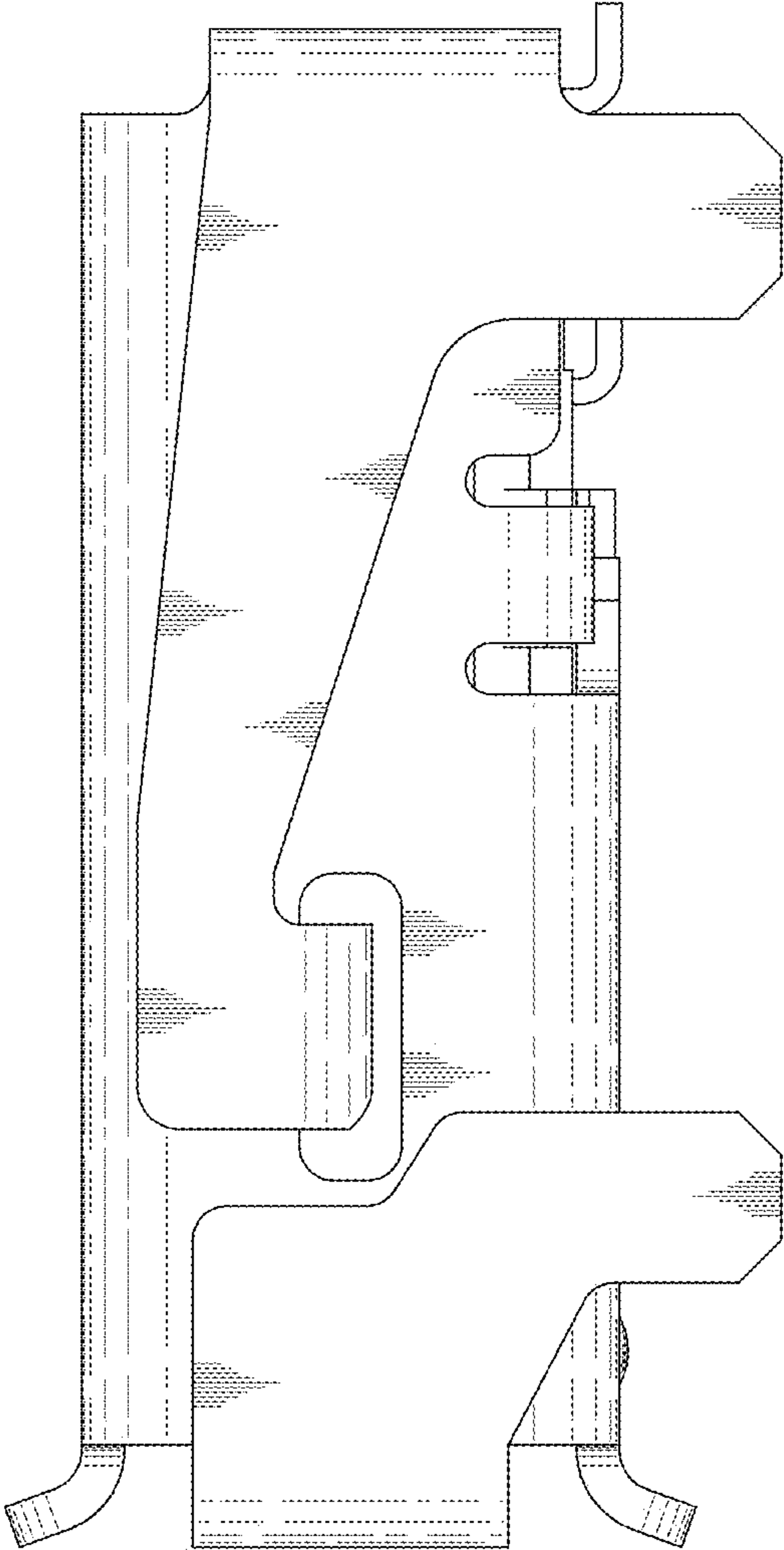


FIG.3

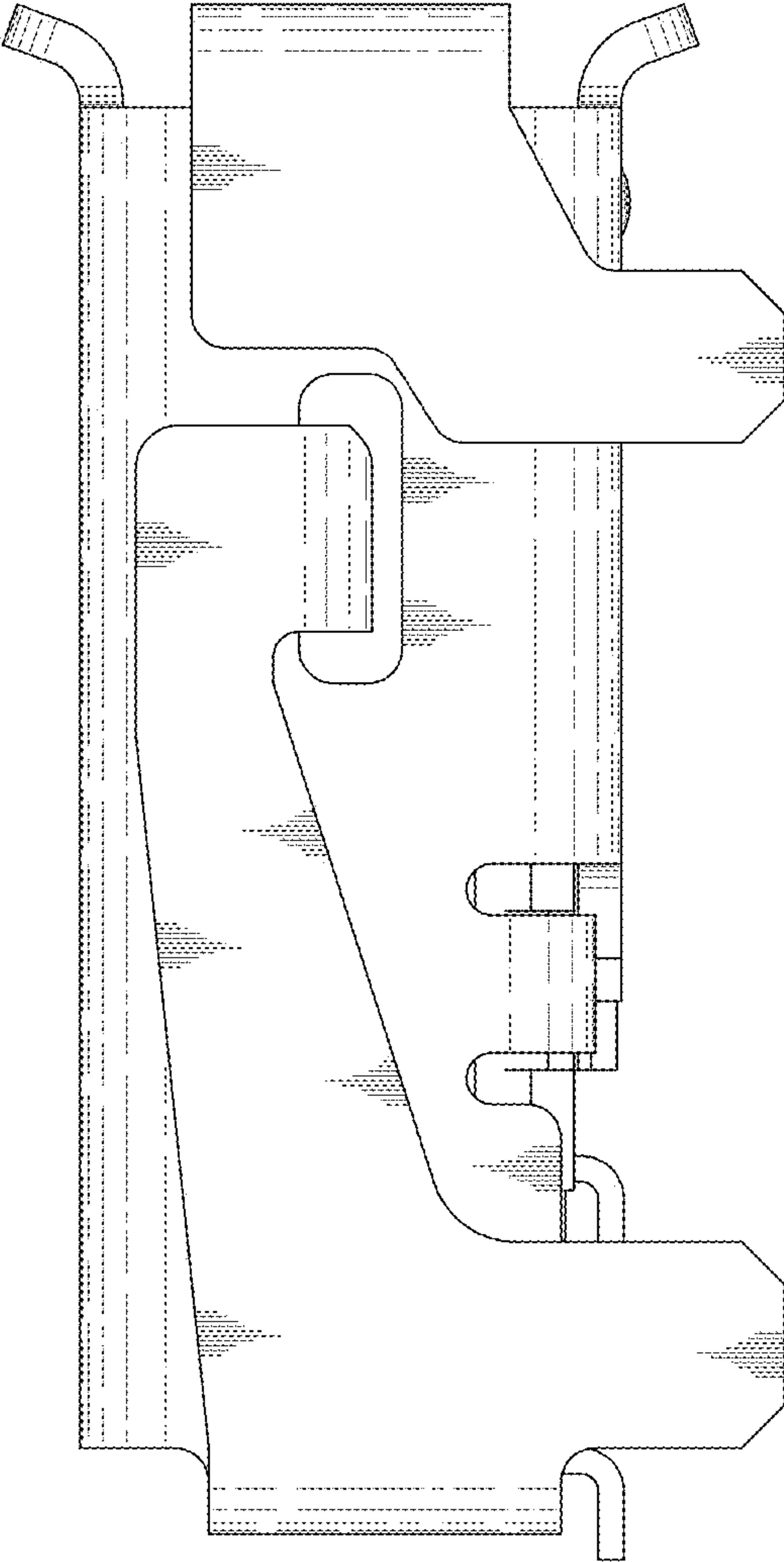


FIG.4



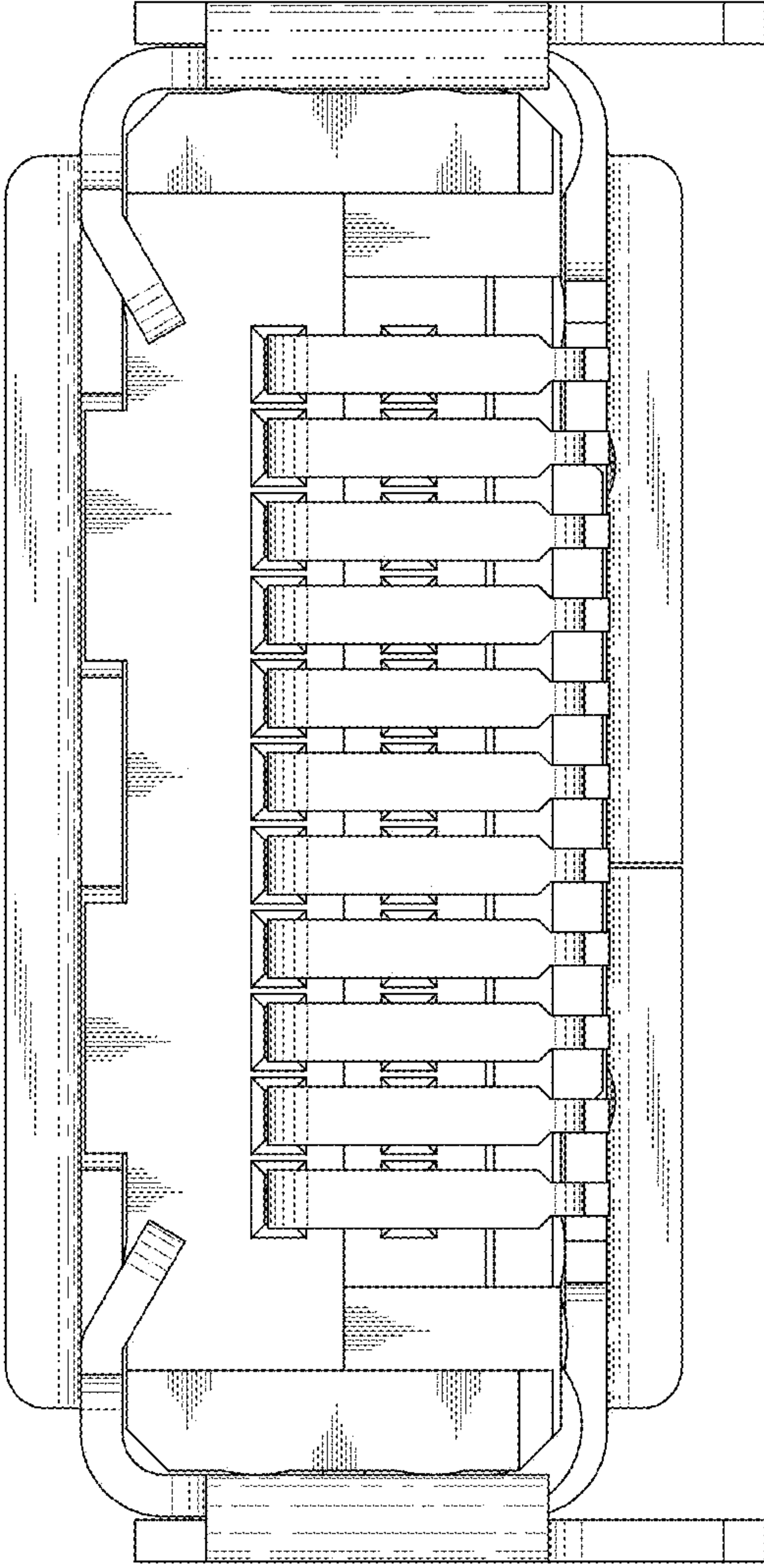


FIG.5

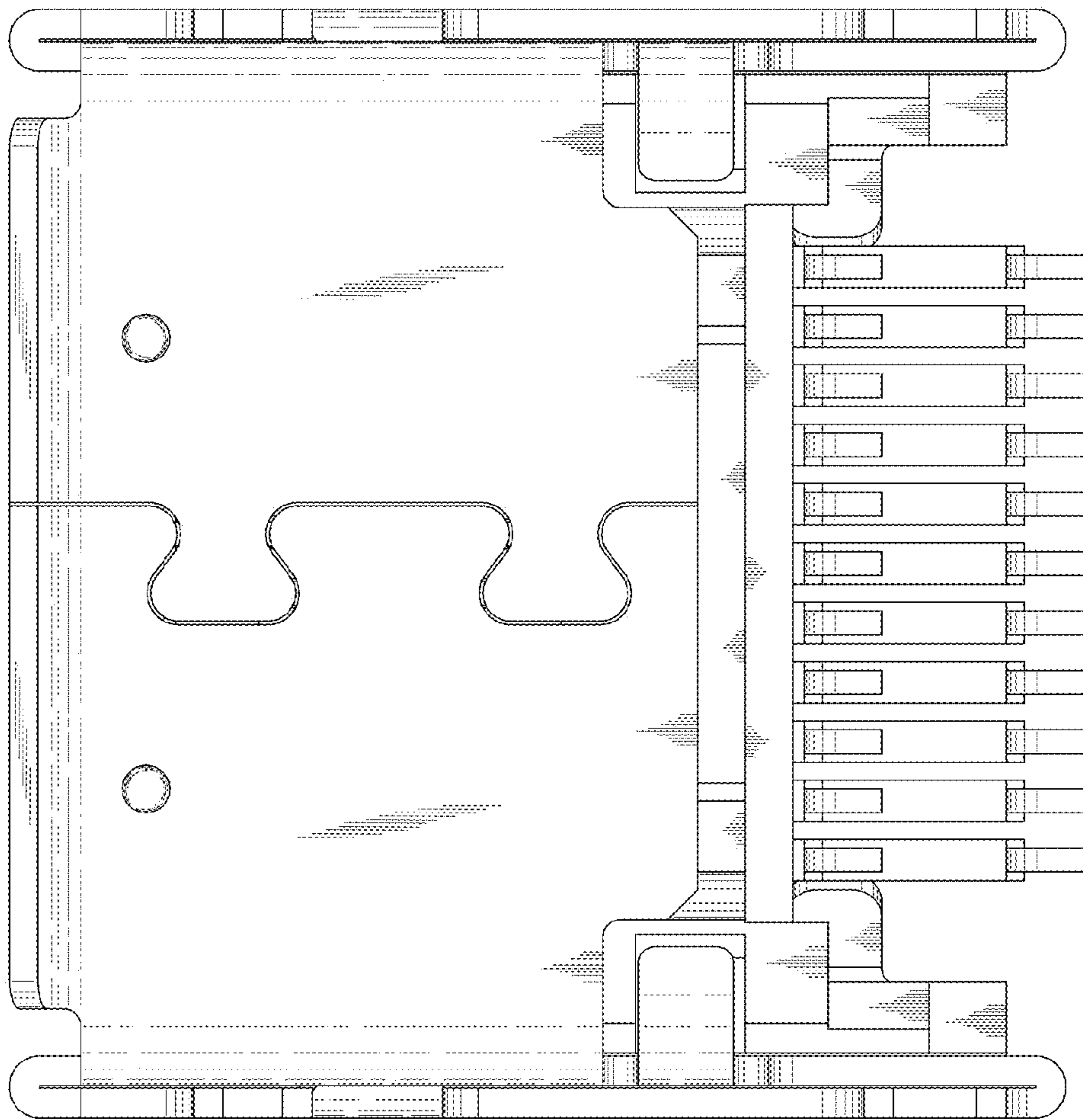


FIG.6

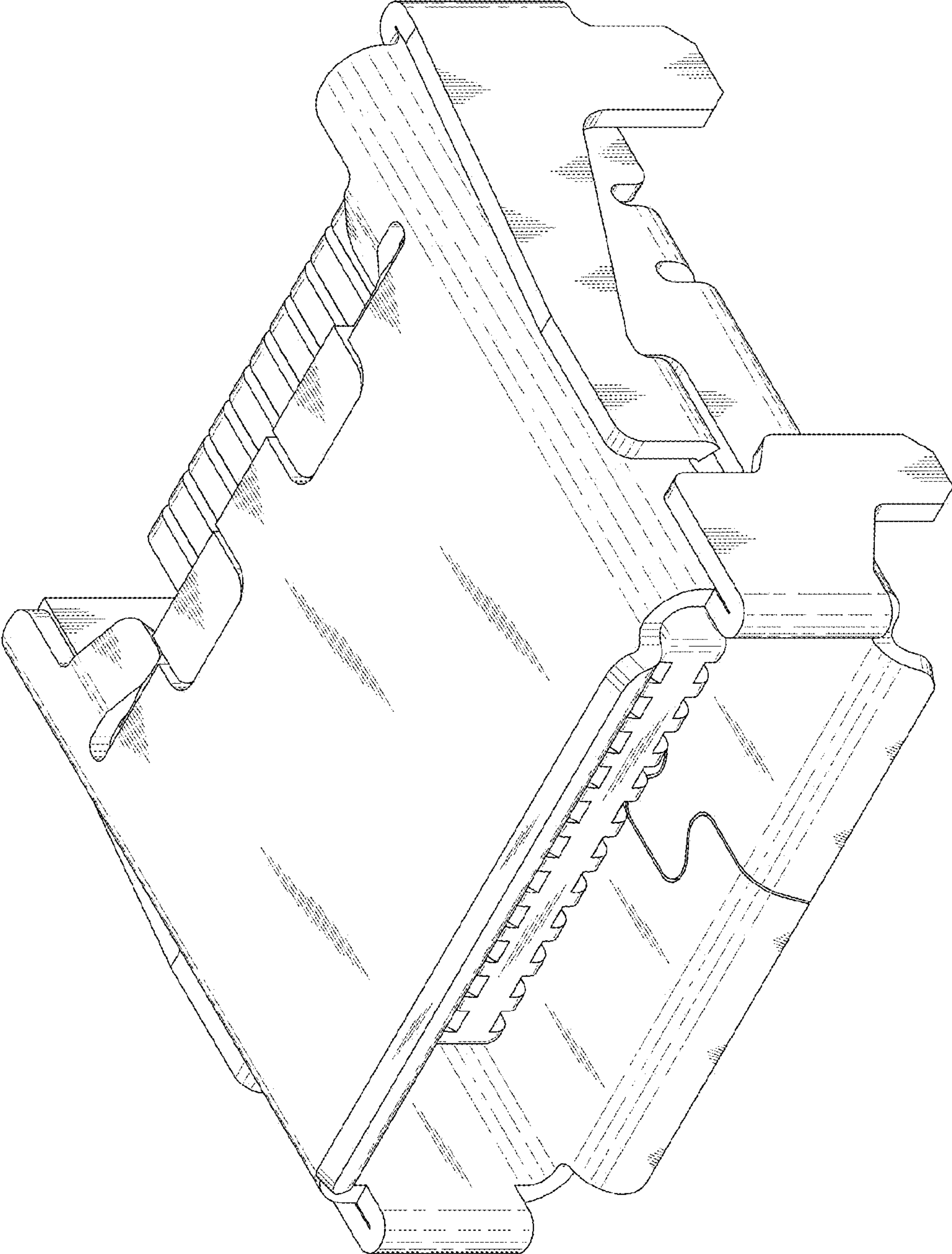


FIG.7



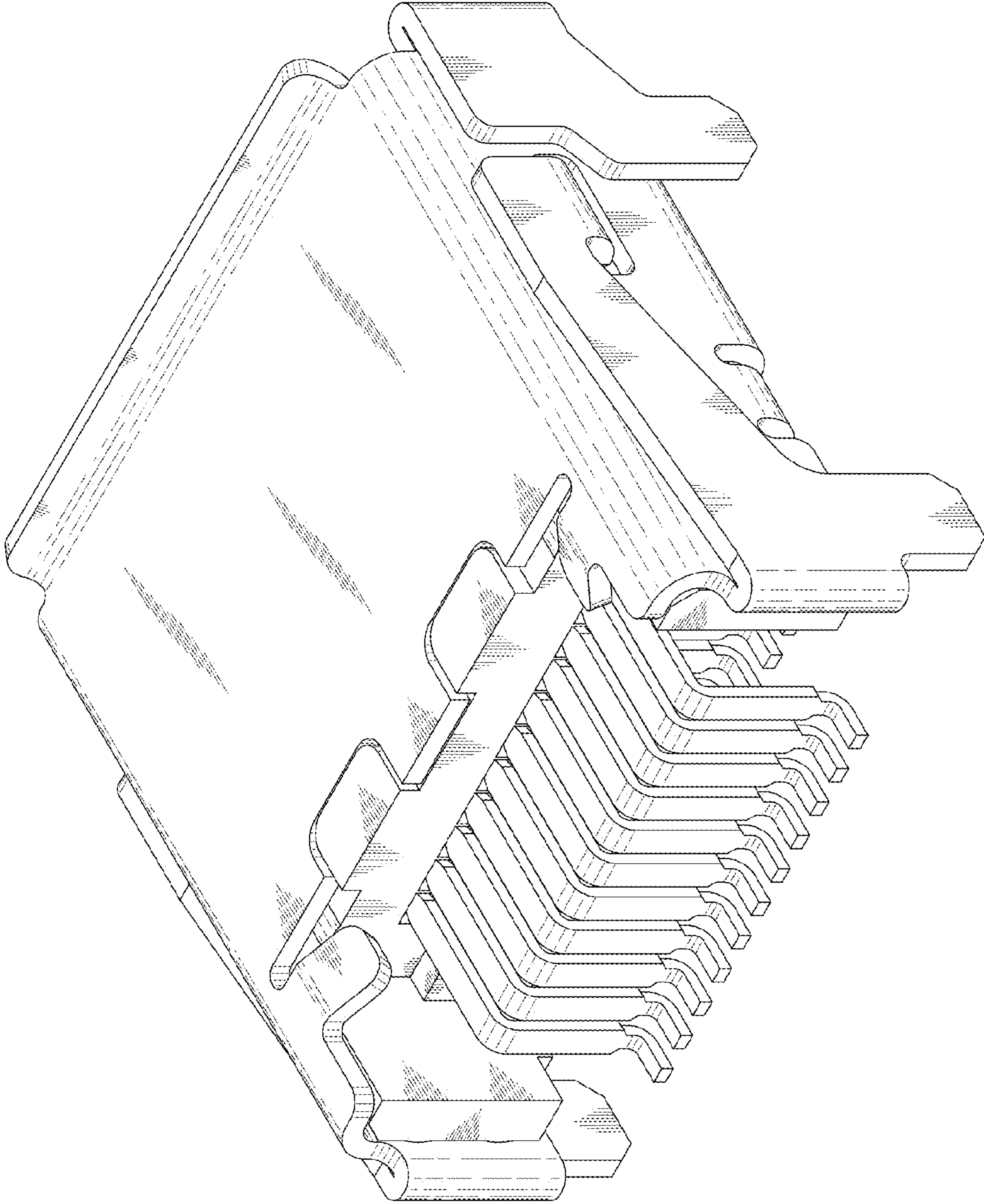


FIG.8

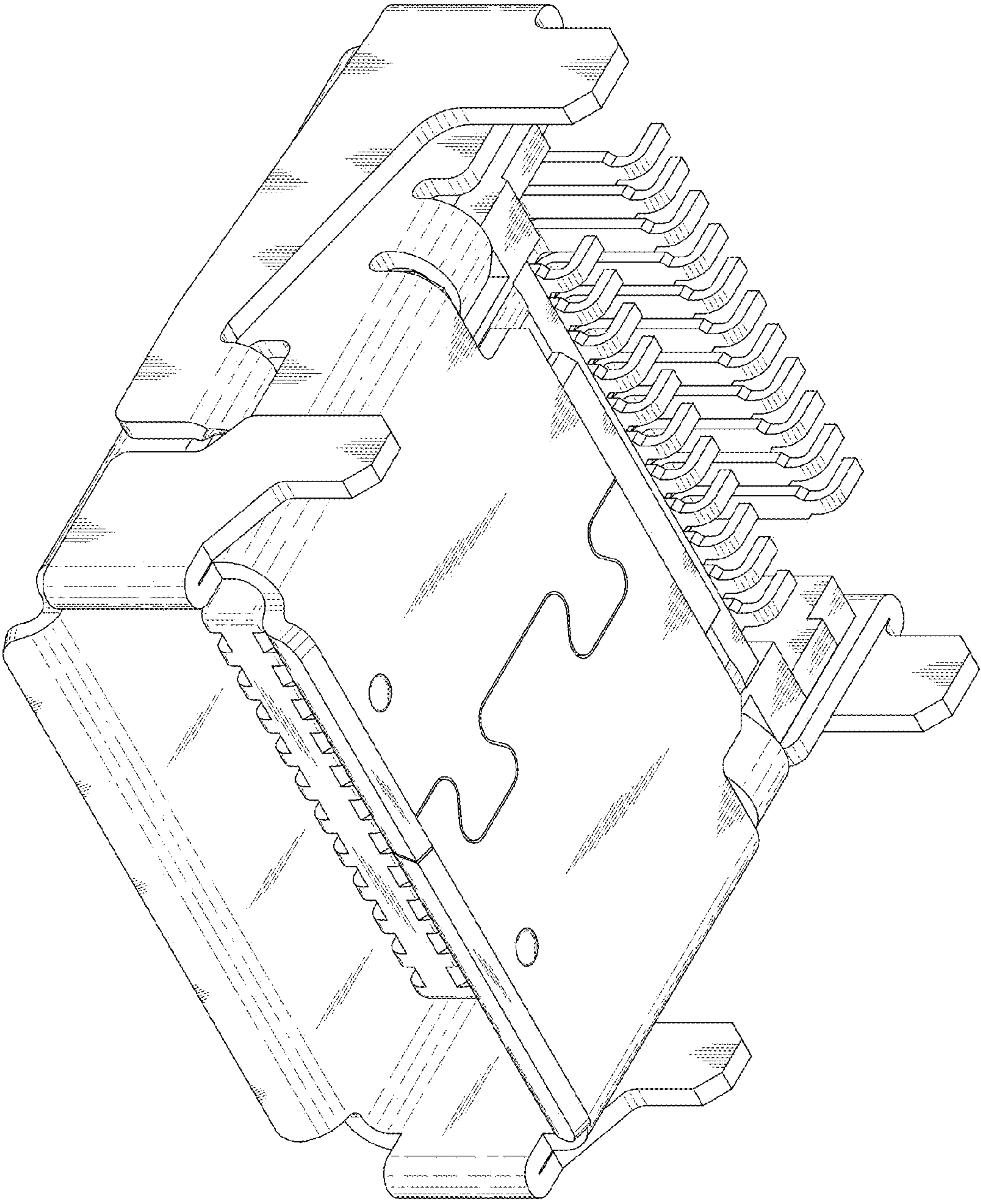


FIG.9

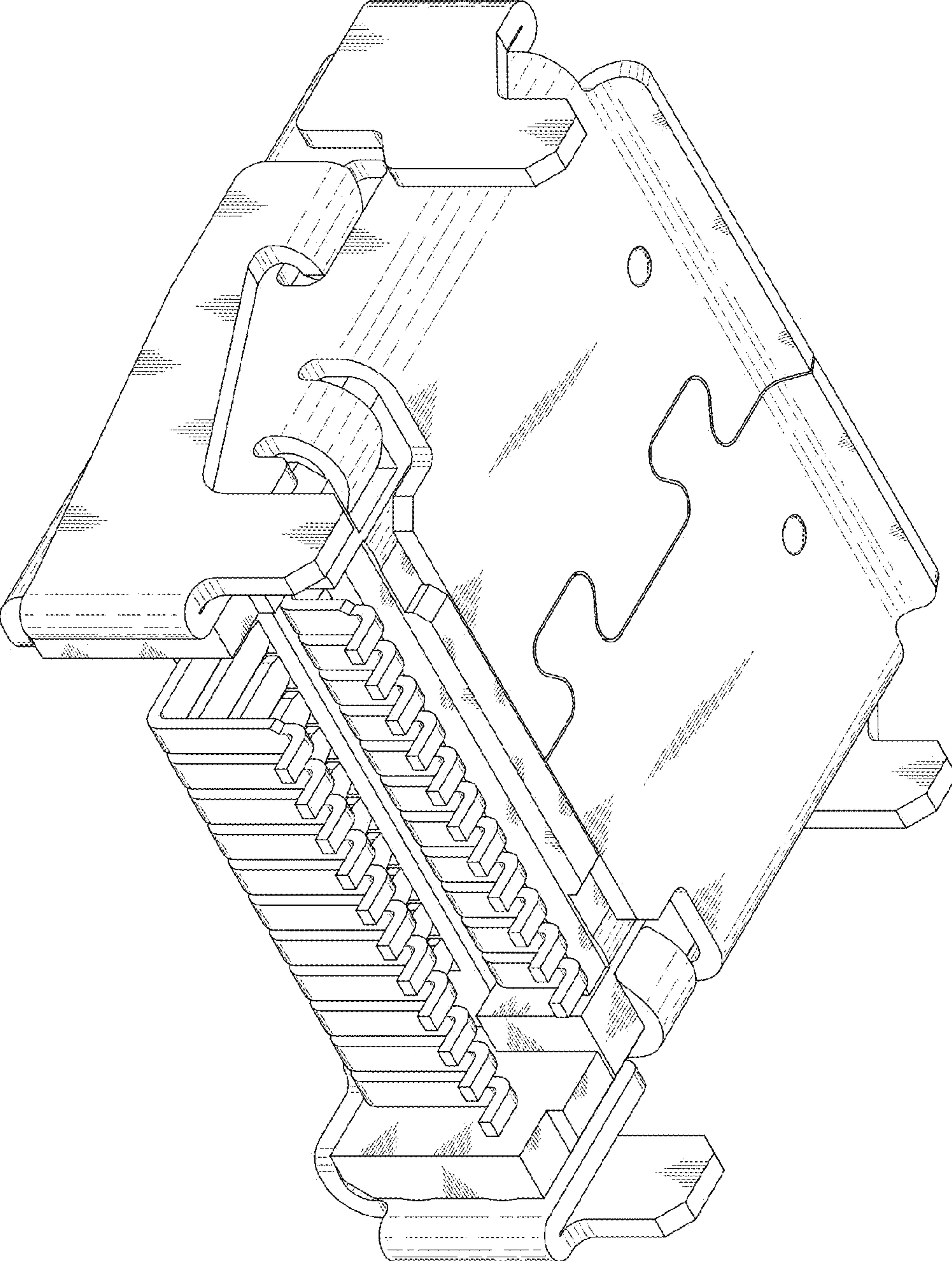


FIG.10