



US00D718247S

(12) **United States Design Patent**  
**Müller**

(10) **Patent No.:** **US D718,247 S**

(45) **Date of Patent:** **\*\* Nov. 25, 2014**

(54) **ELECTRICAL CONNECTOR**

D673,122 S \* 12/2012 Huss et al. .... D13/146  
D675,570 S \* 2/2013 Muller ..... D13/147  
D675,989 S \* 2/2013 Sebald et al. .... D13/146

(75) Inventor: **Gerwin Müller**, Kiel (DE)

\* cited by examiner

(73) Assignee: **Phoenix Contact GmbH & Co. KG**,  
Blomberg (DE)

*Primary Examiner* — Daniel Bui

(74) *Attorney, Agent, or Firm* — Meister Seelig & Fein LLP

(\*\*) Term: **14 Years**

(57) **CLAIM**

The ornamental design for an electrical connector, as shown and described.

(21) Appl. No.: **29/430,143**

(22) Filed: **Aug. 22, 2012**

**DESCRIPTION**

(30) **Foreign Application Priority Data**

Feb. 22, 2012 (EM) ..... 001996653-0003  
Feb. 22, 2012 (EM) ..... 001996653-0004

FIG. 1 is a front, top, and right side perspective view of an electrical connector showing my design;

FIG. 2 is a right side view thereof;

FIG. 3 is a left side view thereof;

FIG. 4 is a top view thereof;

FIG. 5 is a bottom view thereof;

FIG. 6 is a rear view thereof;

FIG. 7 is a front view thereof;

FIG. 8 is a front, top, and right side perspective view of a second embodiment of an electrical connector showing my design;

FIG. 9 is a right side view thereof;

FIG. 10 is a left side view thereof;

FIG. 11 is a top view thereof;

FIG. 12 is a bottom view thereof;

FIG. 13 is a rear view thereof; and,

FIG. 14 is a front view thereof.

Broken lines are included in the figure drawing views to illustrate unclaimed environment only and forms no parts of the design.

(51) **LOC (10) CL.** ..... **13-03**

(52) **U.S. CL.**  
USPC ..... **D13/147**

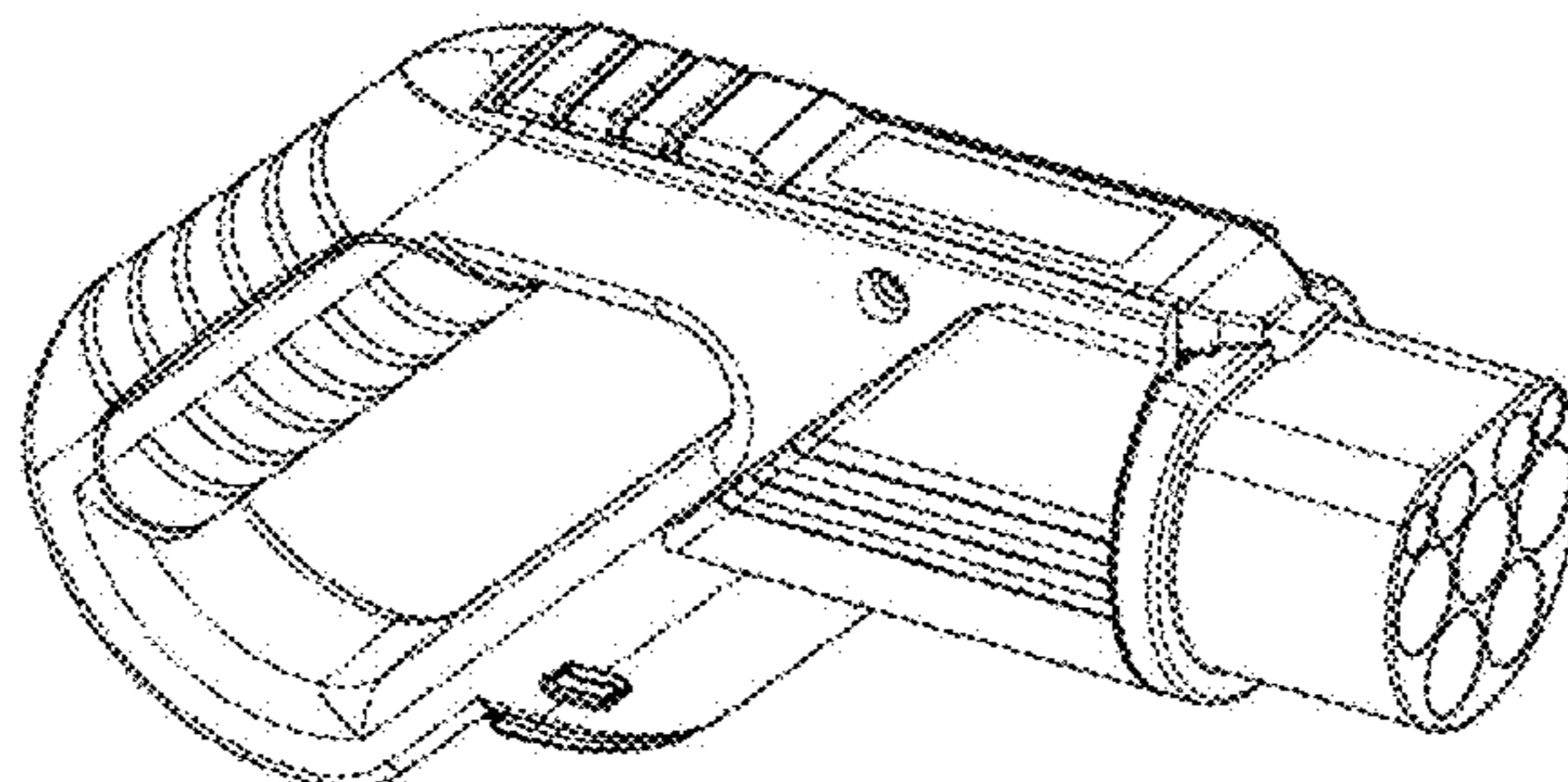
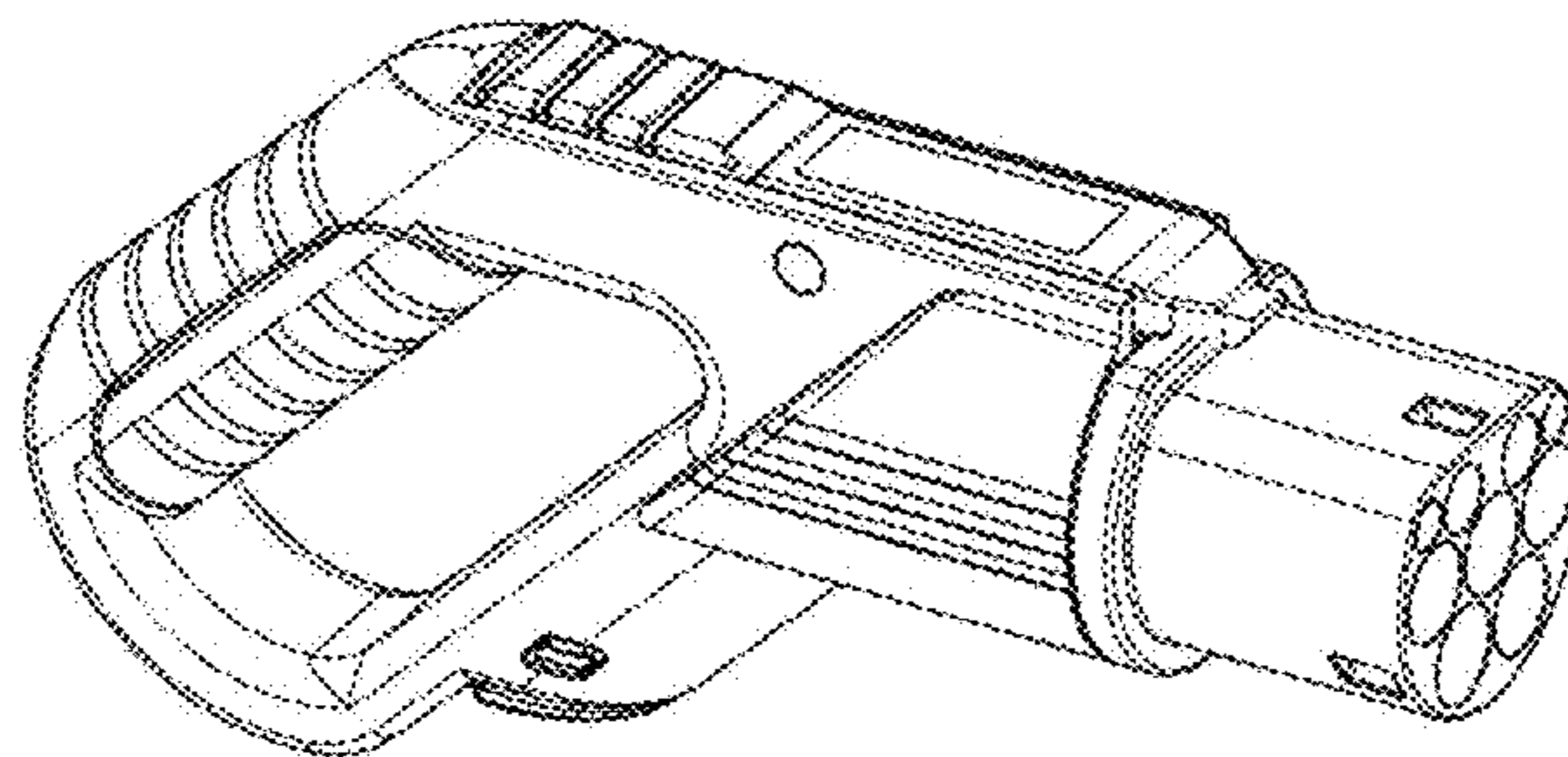
(58) **Field of Classification Search**  
USPC ..... D13/107–109, 118–119, 133, 146, 147,  
D13/154, 184, 199; 320/104, 107–115,  
320/FOR. 104, FOR. 119, DIG. 35  
See application file for complete search history.

(56) **References Cited**

**U.S. PATENT DOCUMENTS**

5,536,173 A \* 7/1996 Fujitani et al. .... 439/34  
5,614,808 A \* 3/1997 Konoya et al. .... 320/109  
5,627,448 A \* 5/1997 Okada et al. .... 439/133  
D608,737 S \* 1/2010 Upham et al. .... D13/147  
D620,453 S \* 7/2010 Corless et al. .... D13/154

**1 Claim, 10 Drawing Sheets**



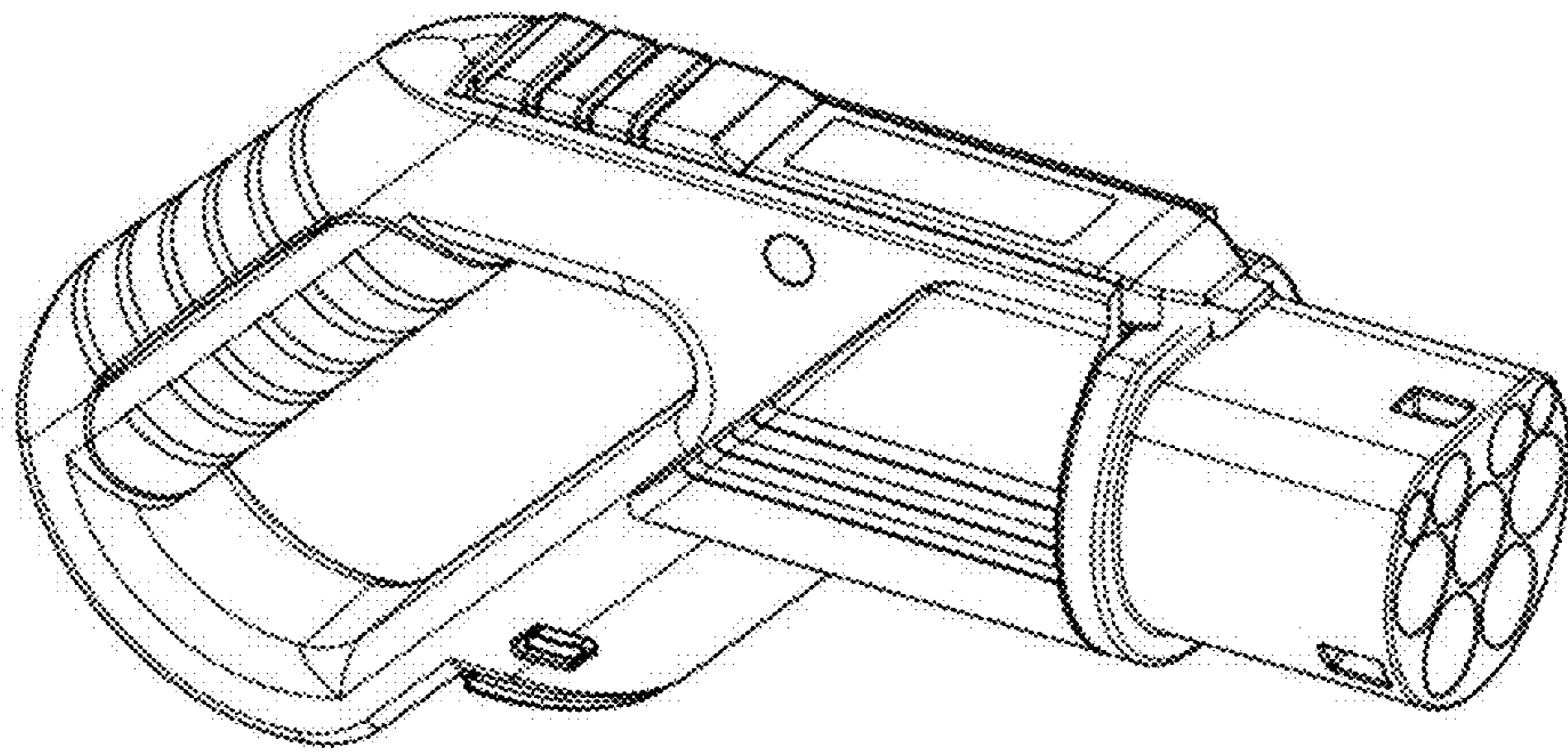


FIG. 1

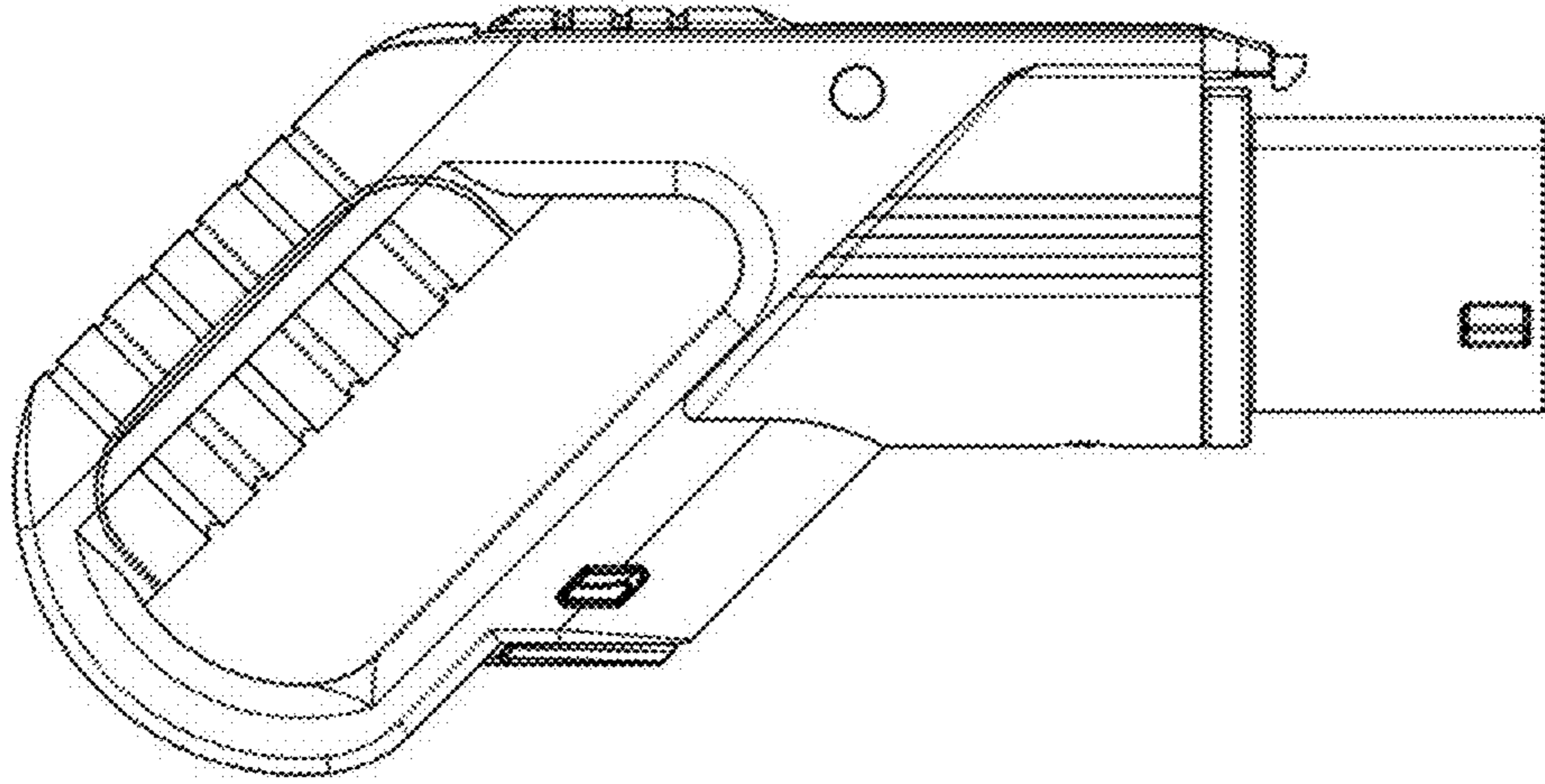


FIG. 2

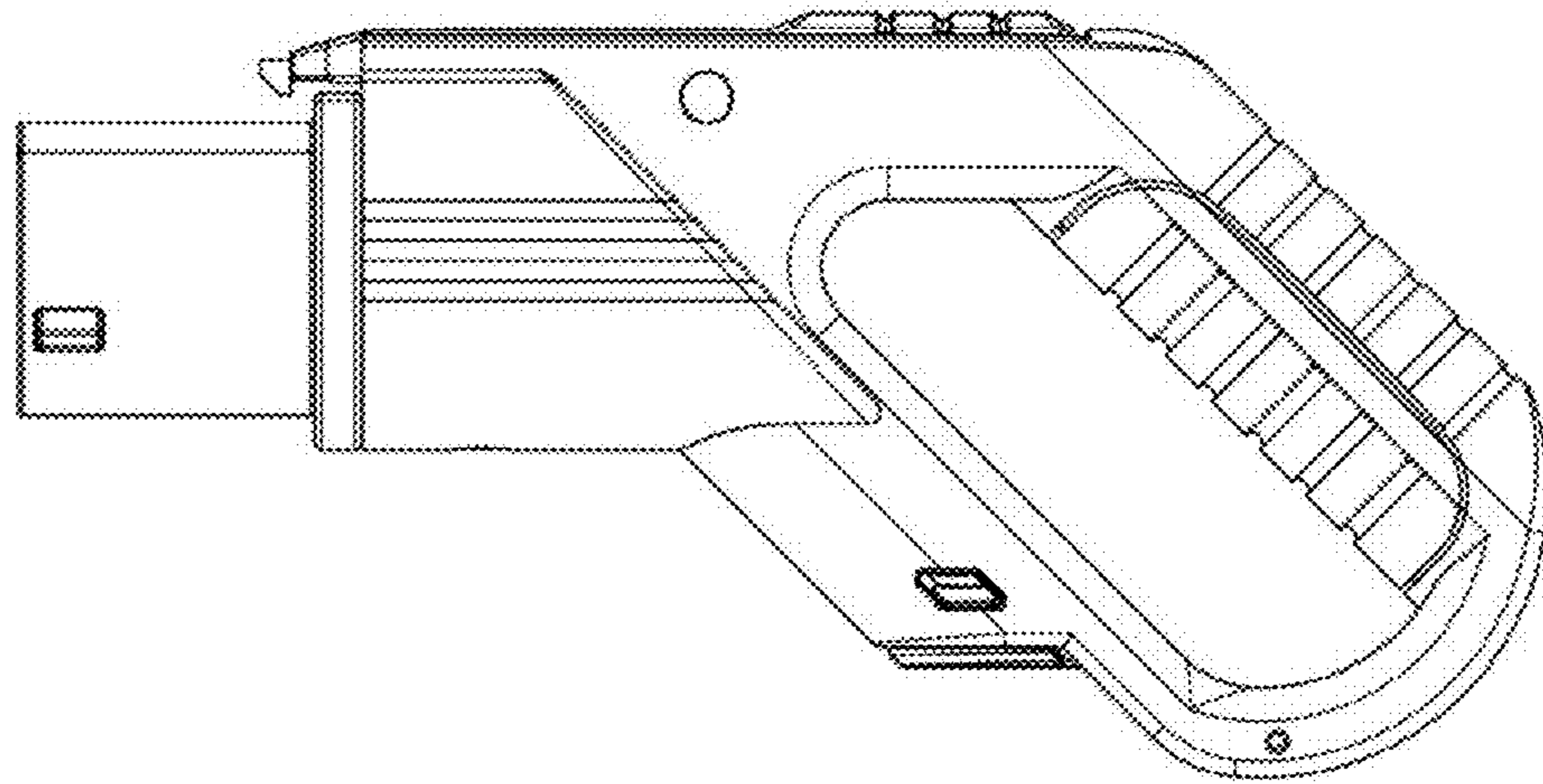


FIG. 3

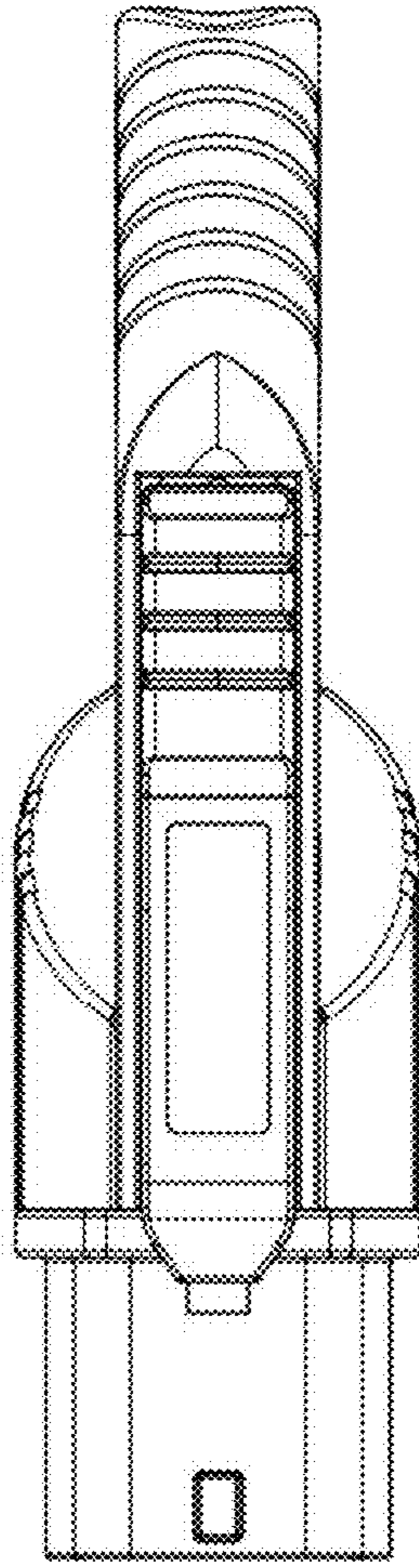


FIG. 4

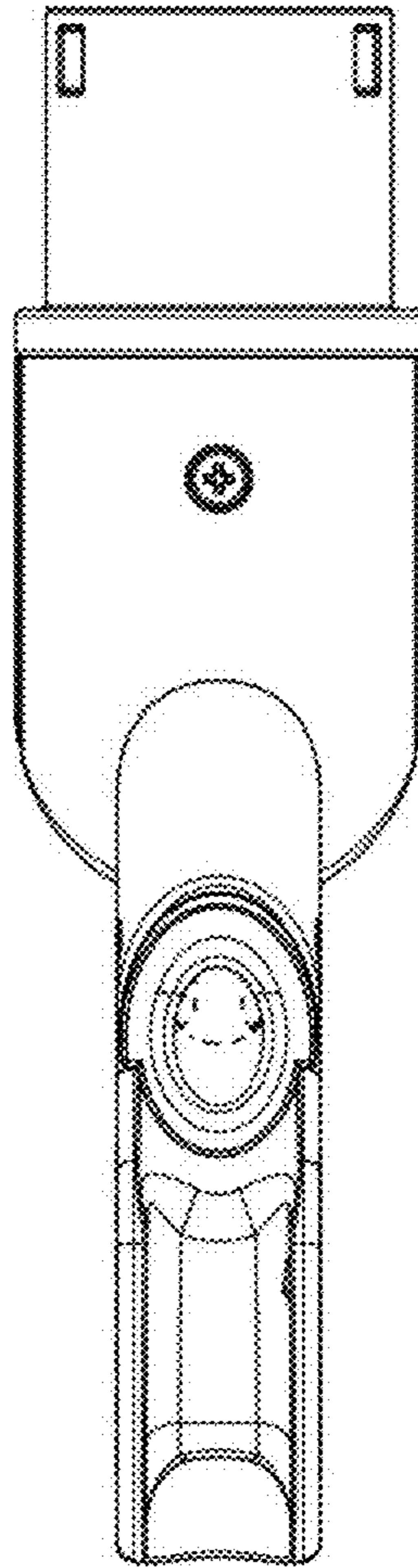


FIG. 5

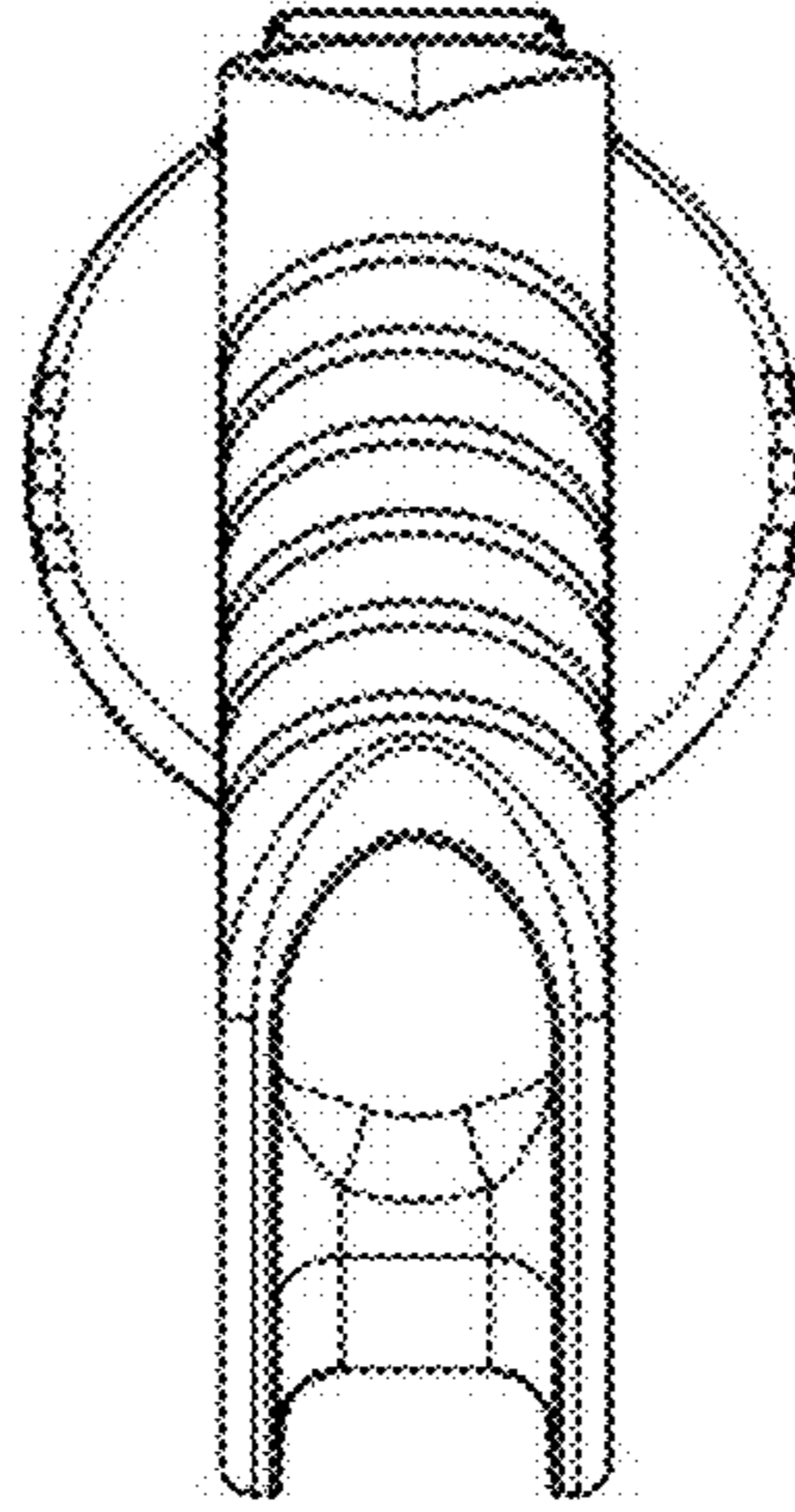


FIG. 6

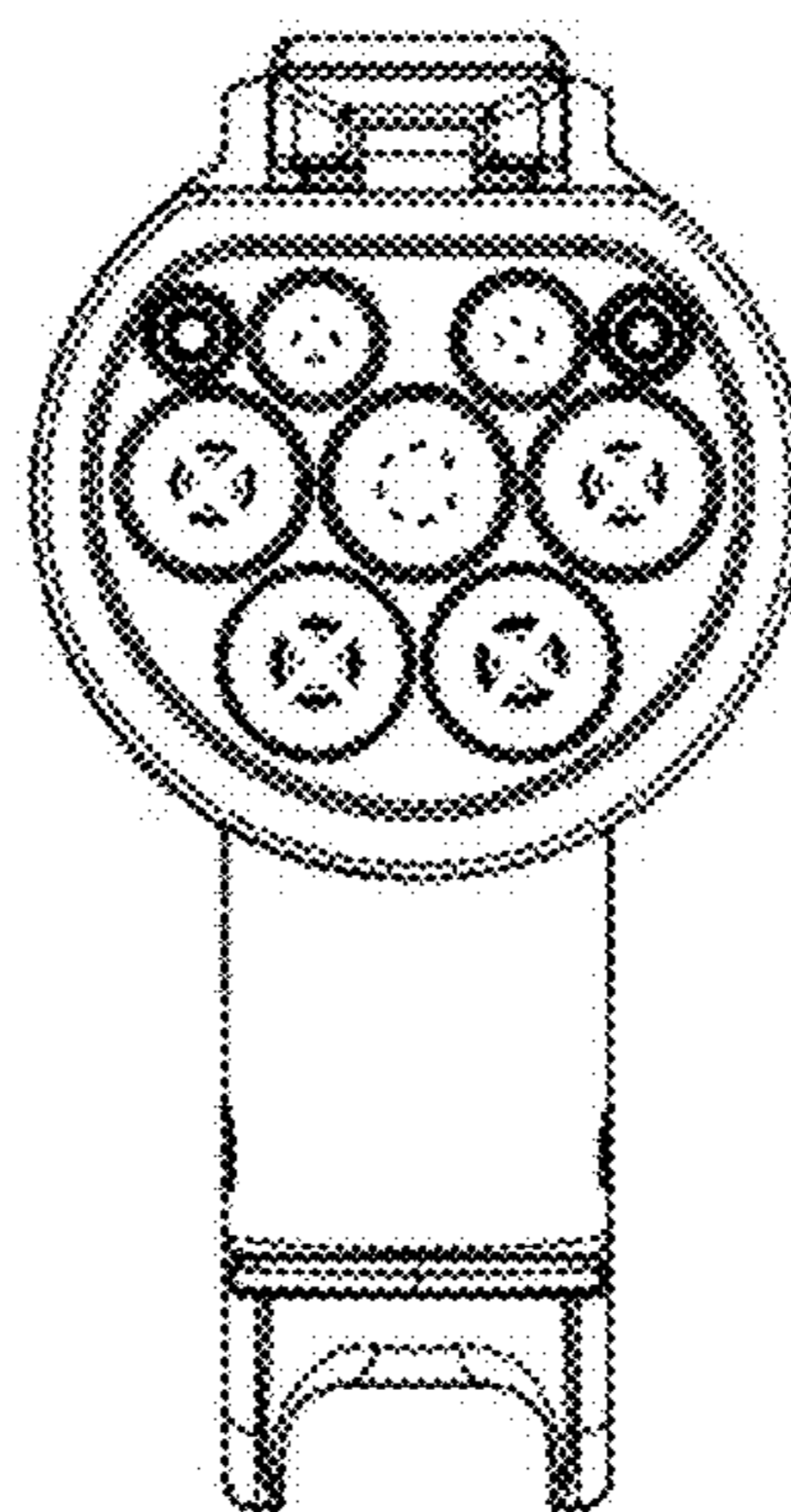


FIG. 7

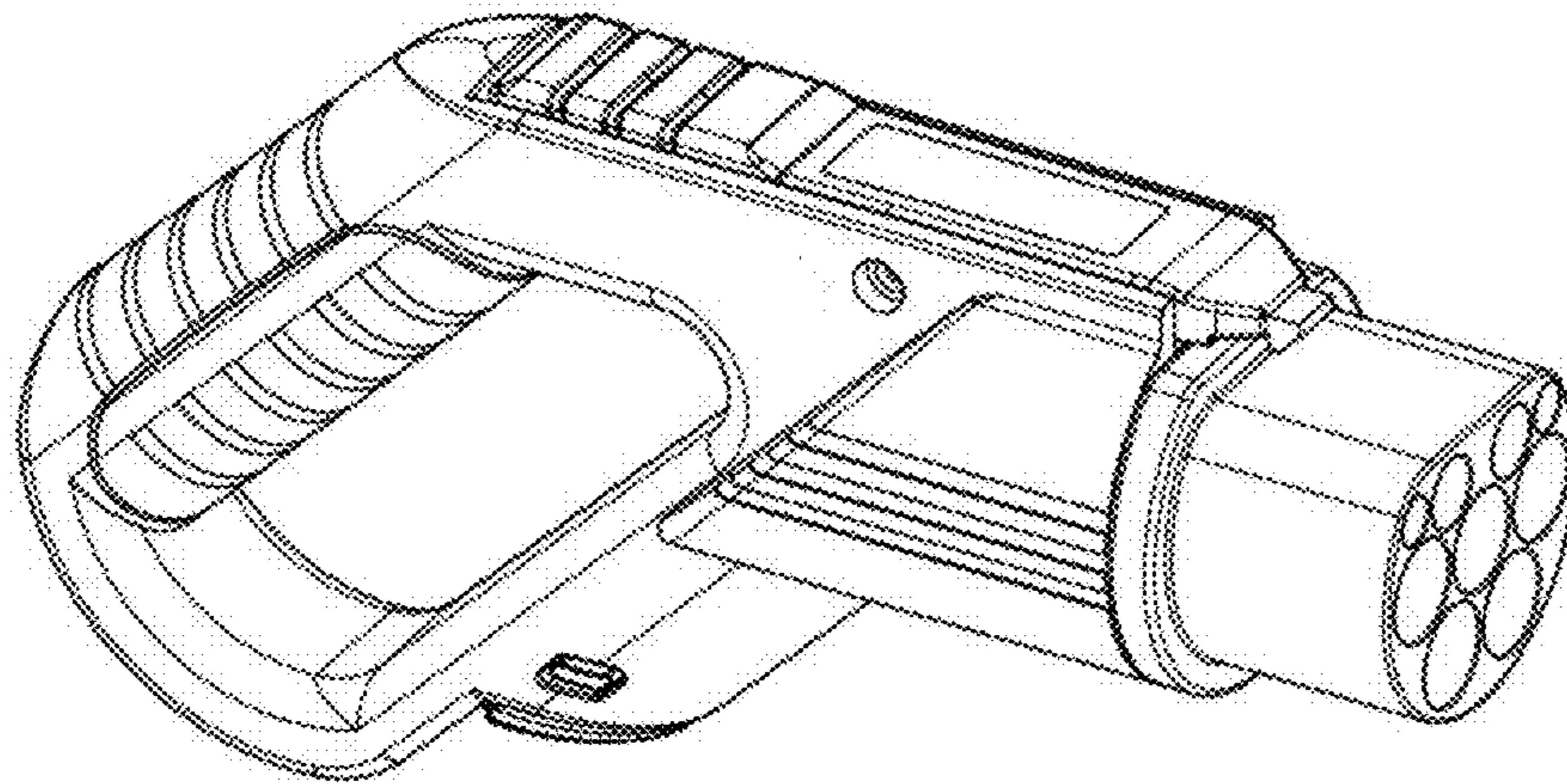


FIG. 8

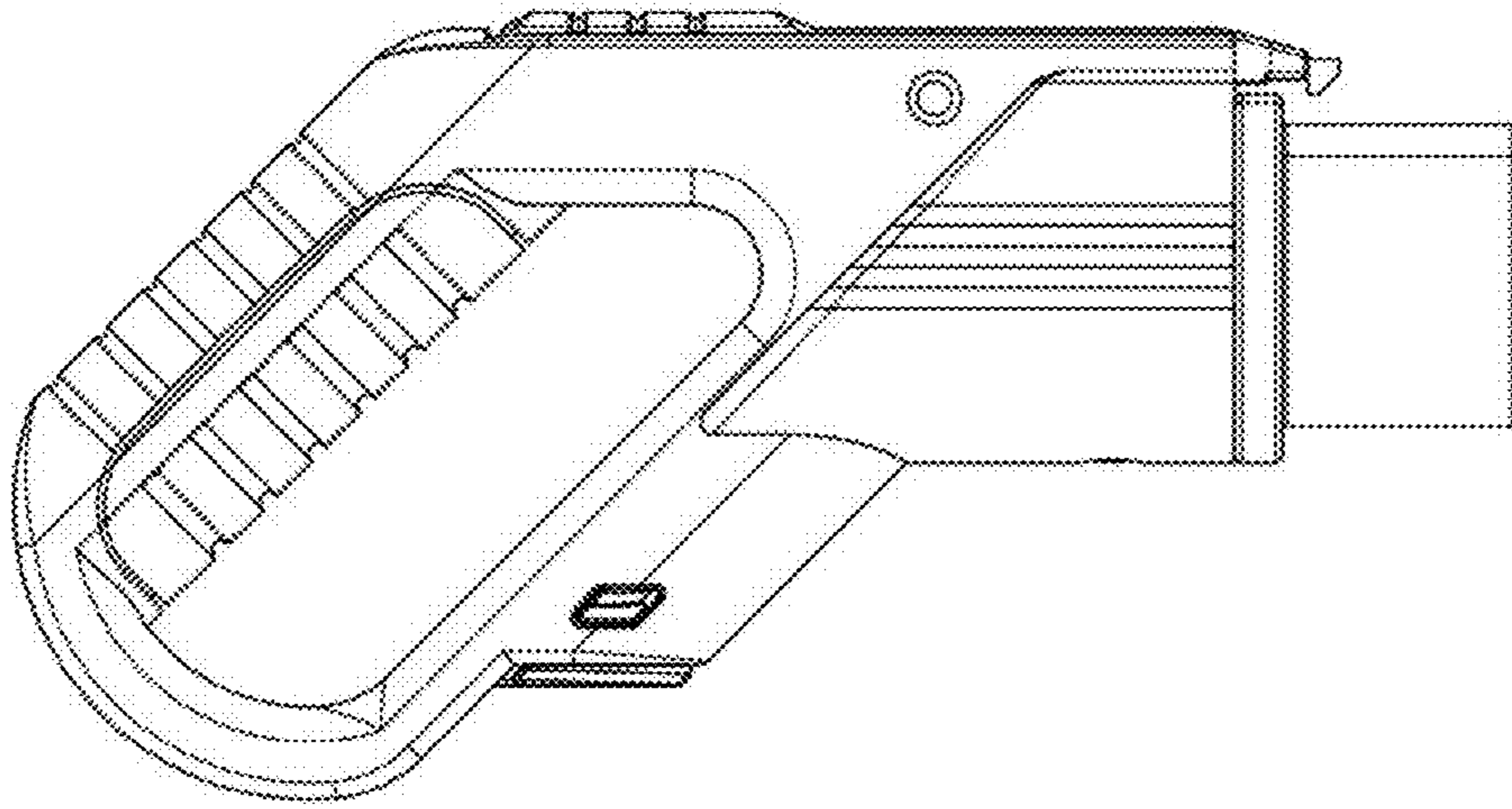


FIG. 9

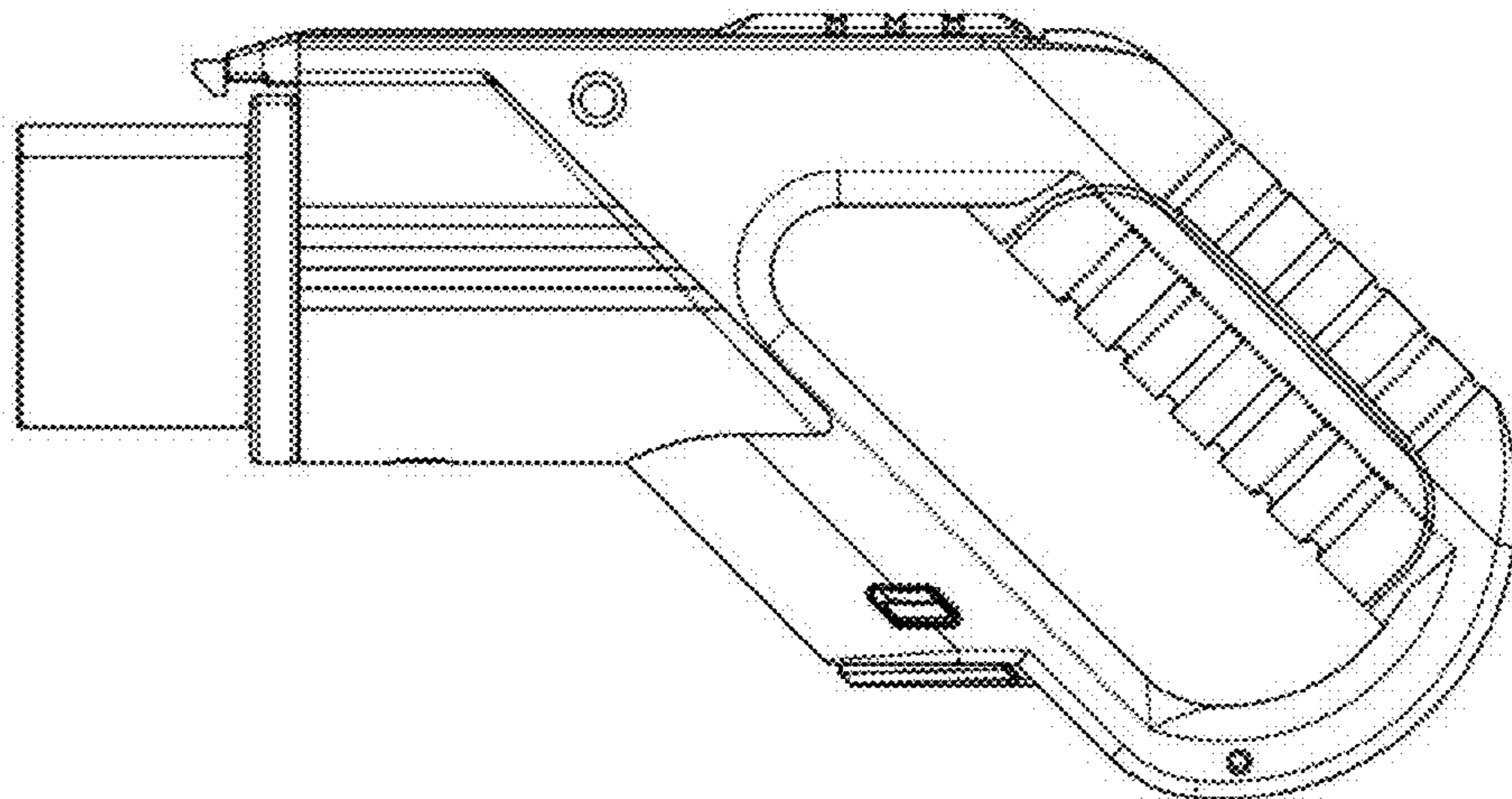


FIG. 10



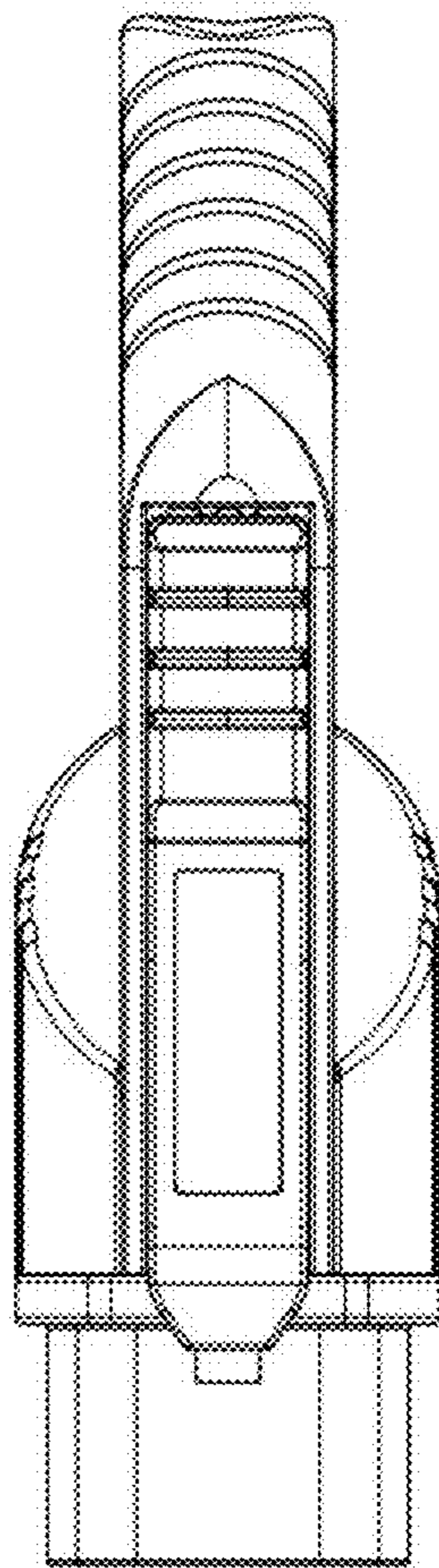


FIG. 11

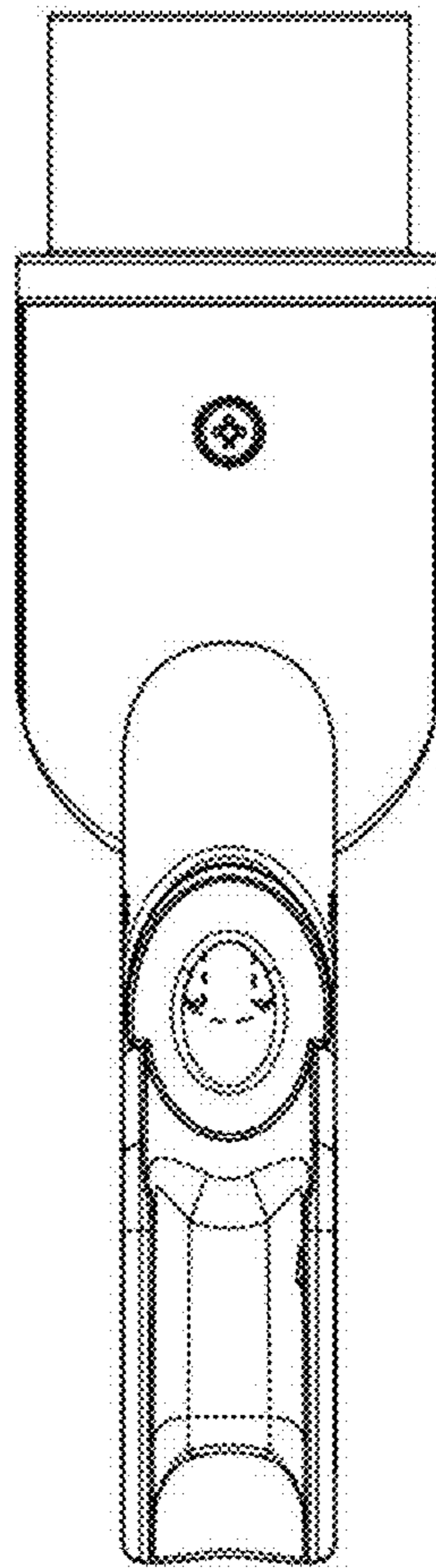


FIG. 12

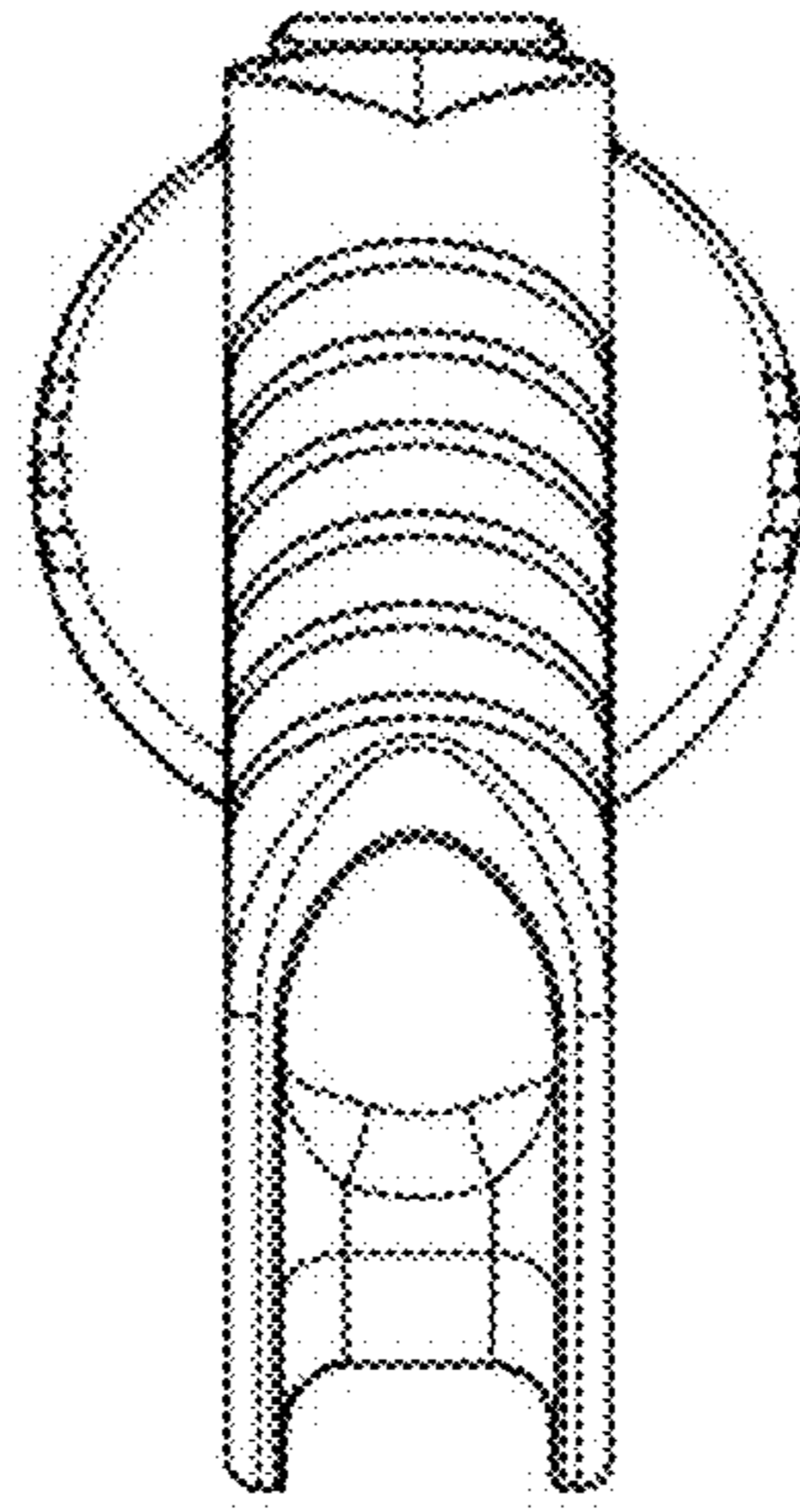


FIG. 13

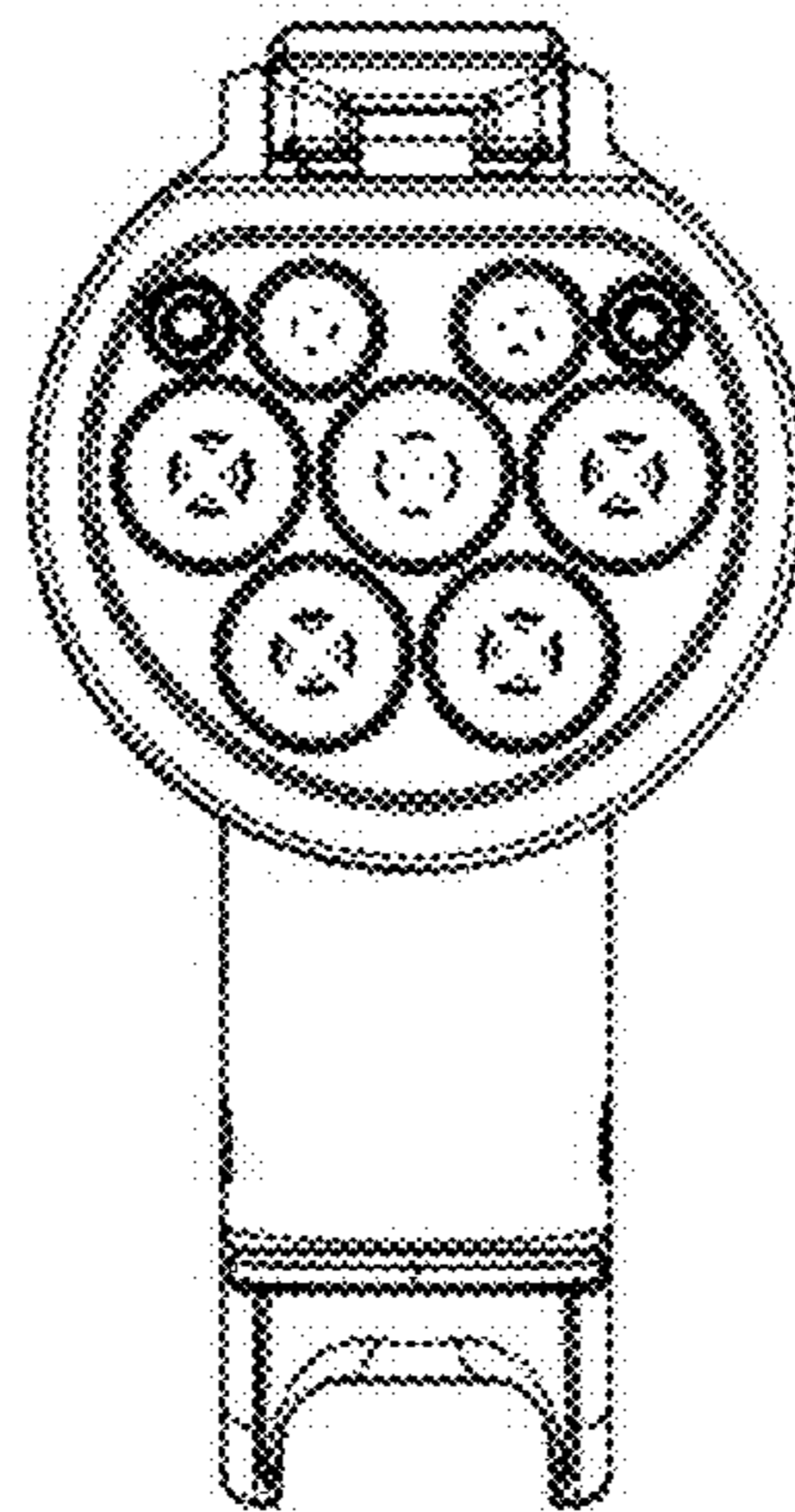


FIG. 14