



US00D718246S

(12) **United States Design Patent**
Endo et al.

(10) **Patent No.:** **US D718,246 S**

(45) **Date of Patent:** **** Nov. 25, 2014**

(54) **CIRCUIT BOARD CONNECTOR**

(75) Inventors: **Takayoshi Endo**, Shizuoka (JP); **Sakai Yagi**, Shizuoka (JP); **Masaya Muta**, Shizuoka (JP)

(73) Assignee: **Dai-Ichi Seiko Co., Ltd.**, Kyoto (JP)

(**) Term: **14 Years**

(21) Appl. No.: **29/429,660**

(22) Filed: **Aug. 15, 2012**

(30) **Foreign Application Priority Data**

Feb. 17, 2012 (JP) 2012-3325

(51) **LOC (10) Cl.** **13-03**

(52) **U.S. Cl.**
USPC **D13/147**

(58) **Field of Classification Search**
USPC D13/146-147, 154, 184, 199; 439/66, 439/74, 79, 188, 344, 345, 346, 350, 351, 439/352, 353, 357, 358, 374, 497, 607.1, 439/607.2, 607.3, 607.4, 607.45, 607.49, 439/607.58, 660, 668, 680, 865, 866, 887, 439/874, 883, 892, 899

See application file for complete search history.

(56) **References Cited**

U.S. PATENT DOCUMENTS

5,613,881	A *	3/1997	Ichida et al.	439/680
6,281,444	B1 *	8/2001	Yamanashi	174/138 F
D463,370	S *	9/2002	Chen	D13/147
D523,399	S *	6/2006	Sakamaki et al.	D13/147
D605,133	S *	12/2009	Tanaka et al.	D13/147
D614,140	S *	4/2010	Lee et al.	D13/147
D639,746	S *	6/2011	Lee et al.	D13/147
D640,634	S *	6/2011	Lee et al.	D13/147

* cited by examiner

Primary Examiner — Daniel Bui

(74) *Attorney, Agent, or Firm* — Wenderoth, Lind & Ponack, L.L.P.

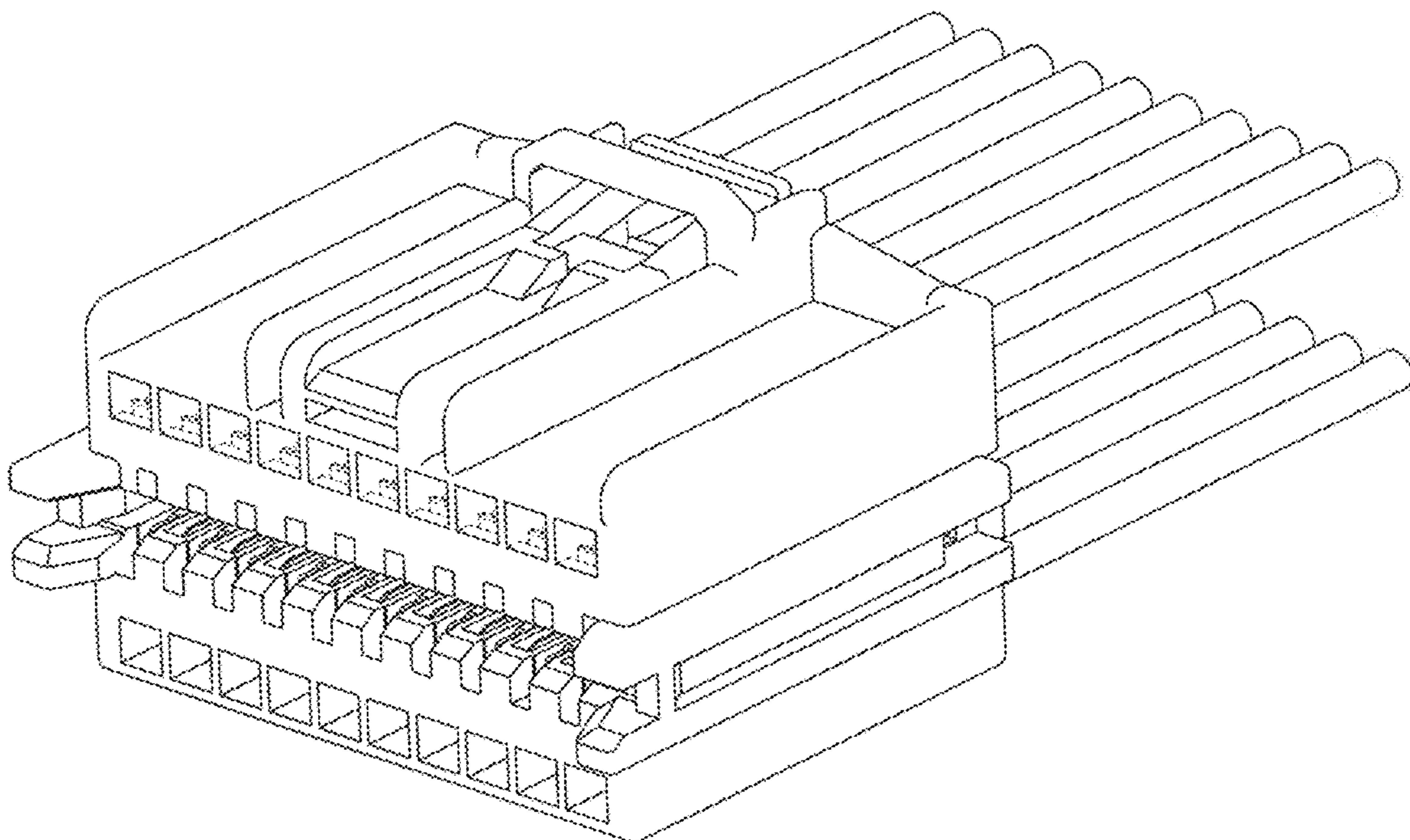
(57) **CLAIM**

The ornamental design for a circuit board connector, as shown and described.

DESCRIPTION

FIG. 1 is a top, front and right side perspective view of a circuit board connector showing our new design; FIG. 2 is a top, rear and right side perspective view thereof; FIG. 3 is a front elevation view thereof; FIG. 4 is a rear elevation view thereof; FIG. 5 is a top plan view thereof; FIG. 6 is a bottom plan side view thereof; and, FIG. 7 is a right side elevation view thereof. The broken lines shown in the drawings are included for the purpose of illustrating unclaimed environment only, and form no part of the claimed design.

1 Claim, 7 Drawing Sheets



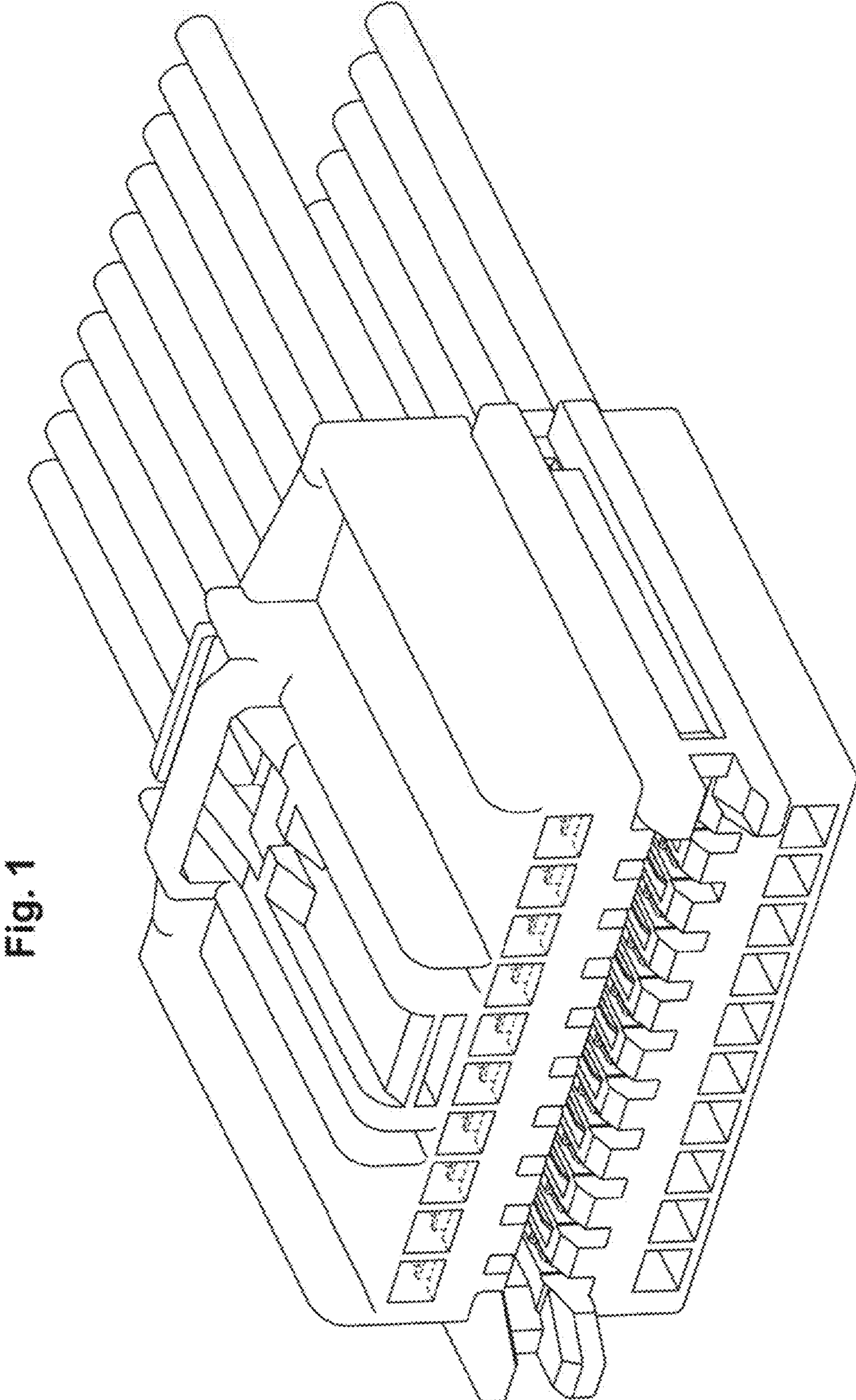


Fig. 1

Fig. 2

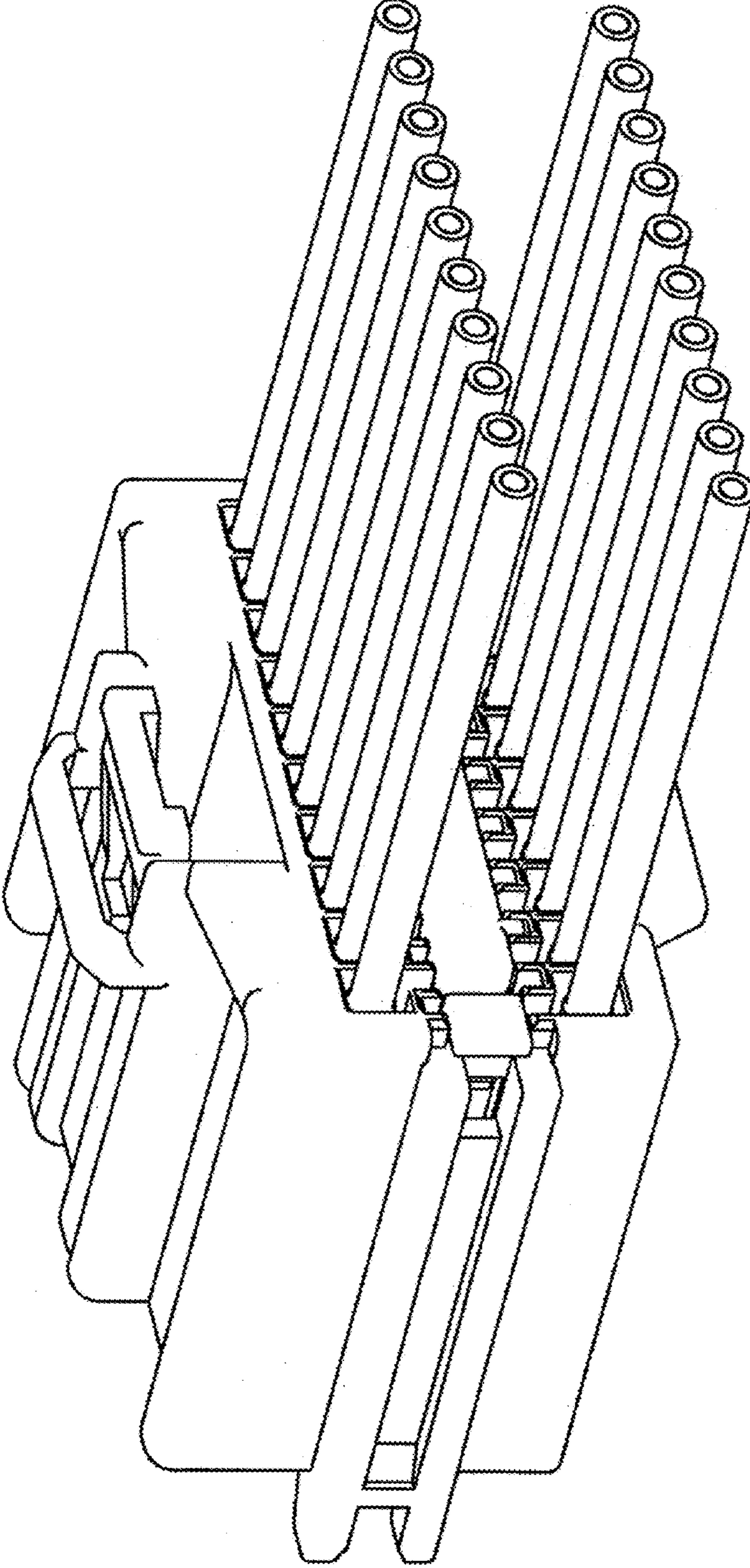


Fig. 3

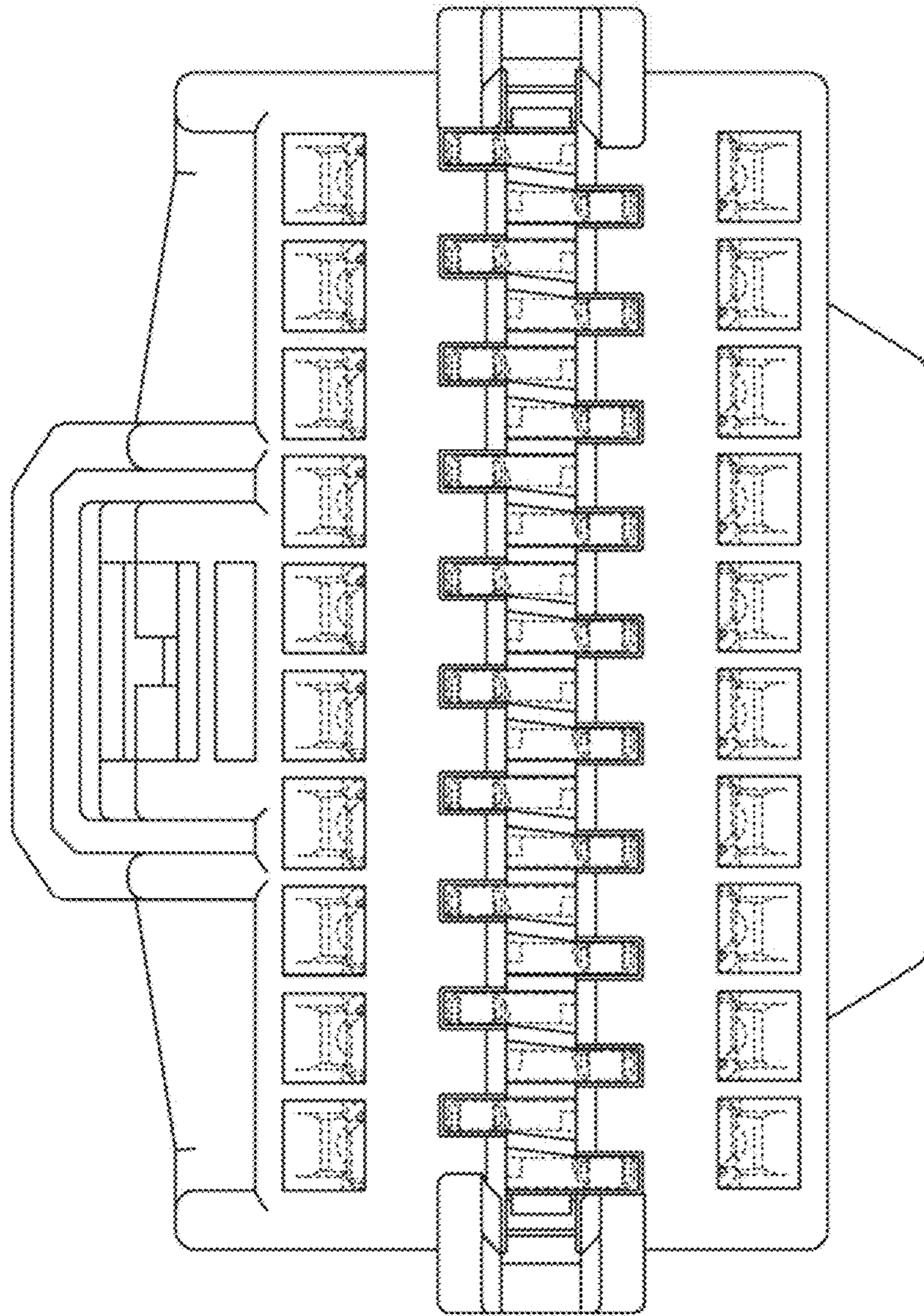


Fig. 4

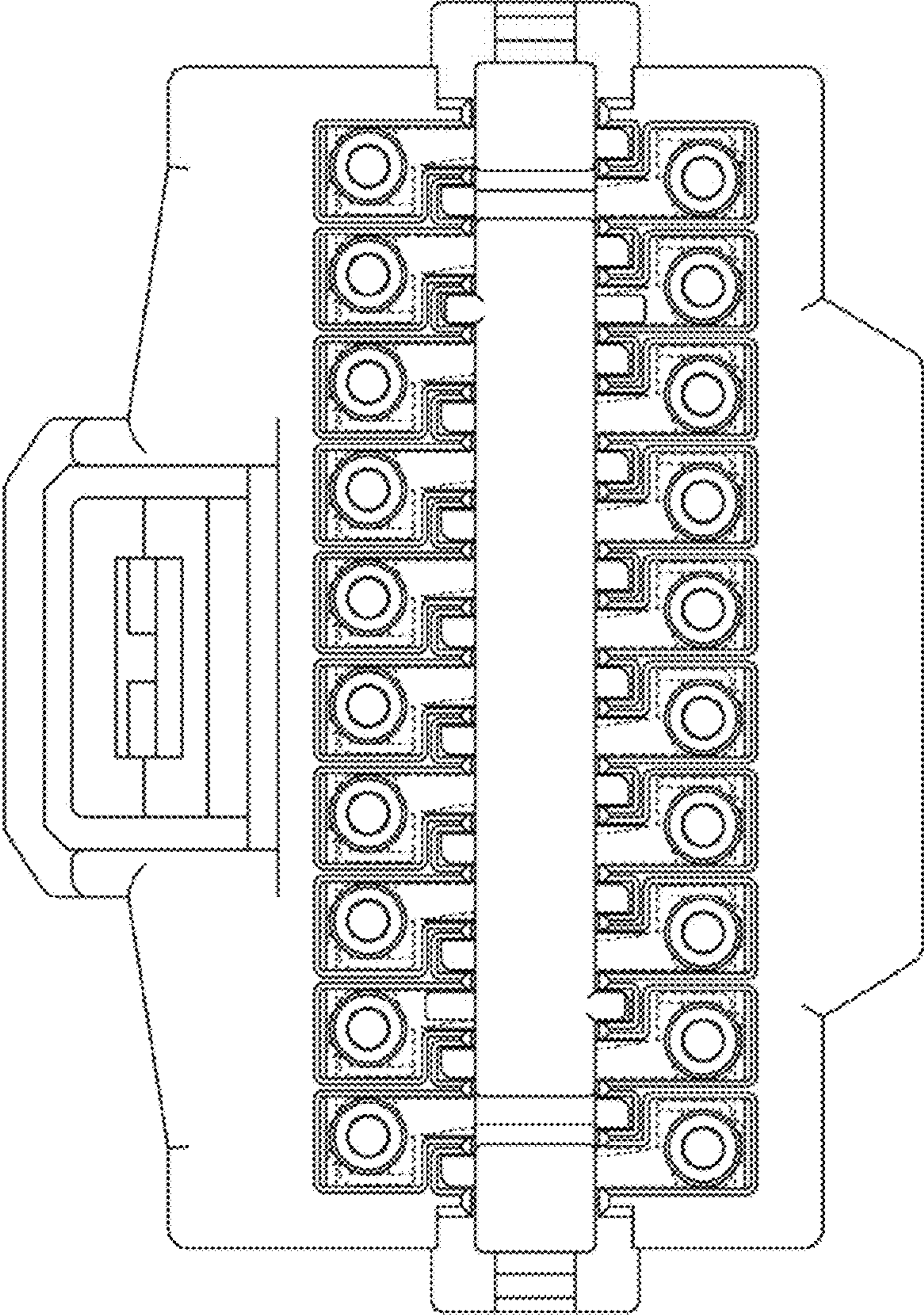
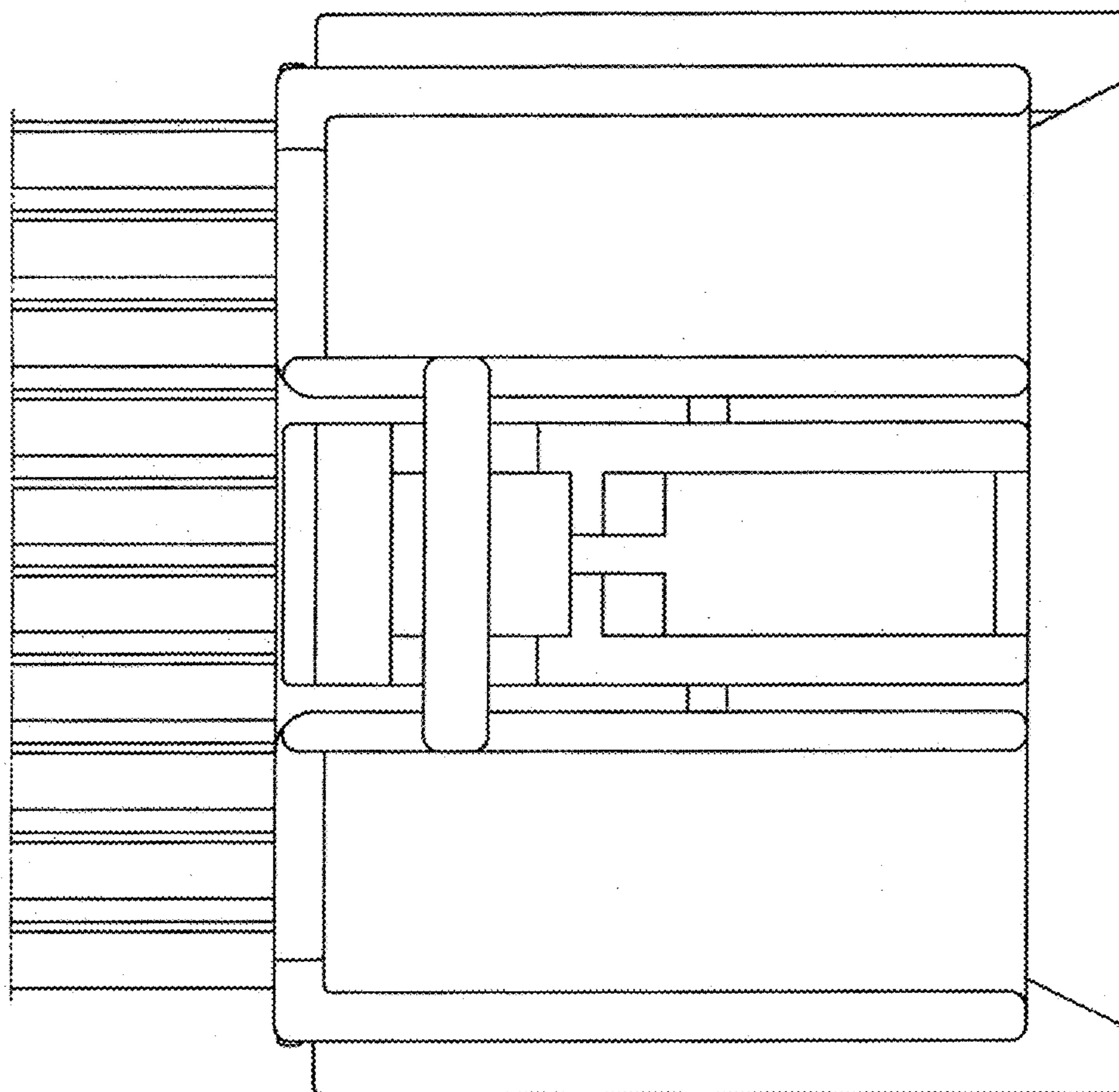


Fig. 5



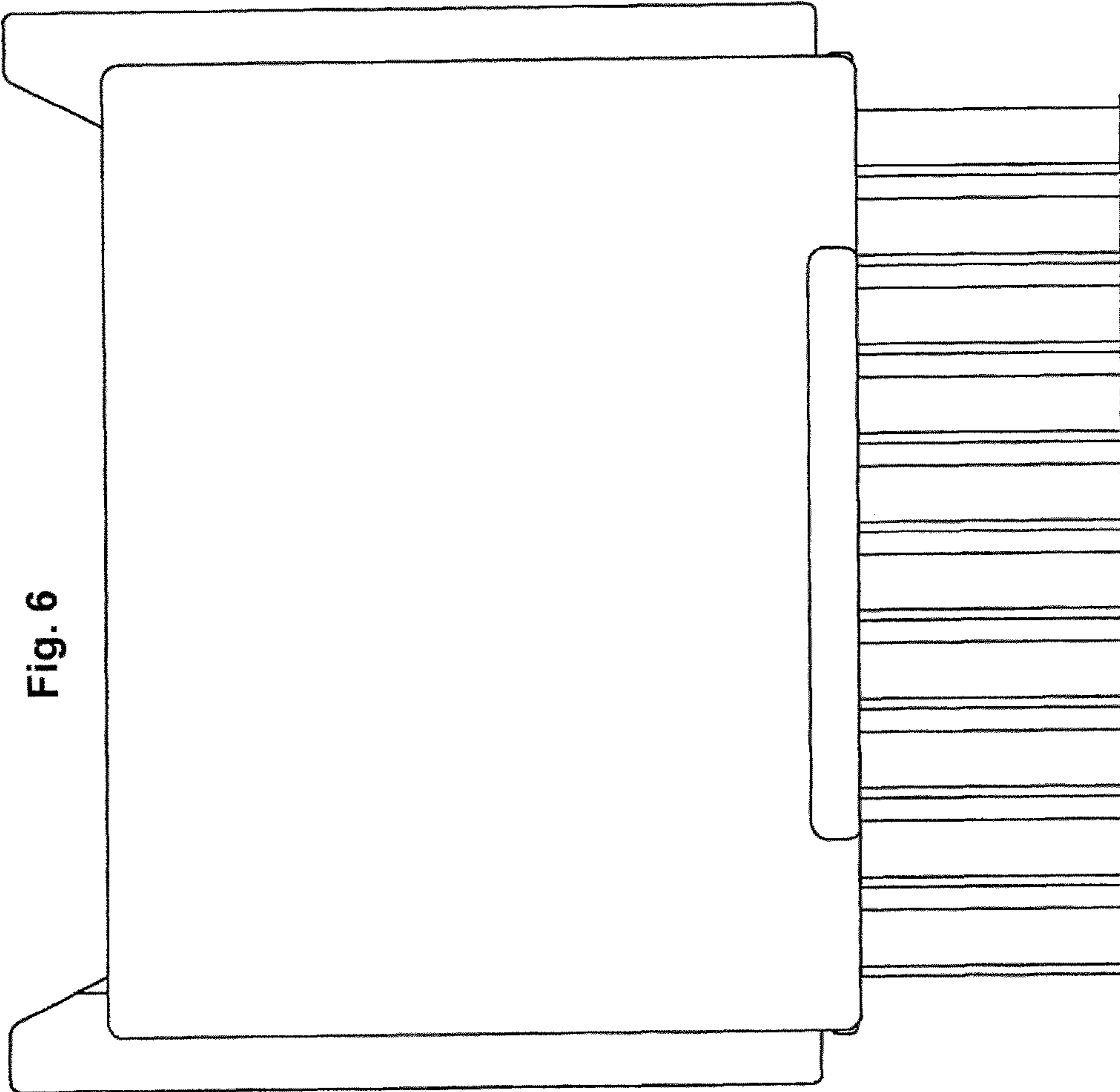


Fig. 6

Fig. 7

