



US00D718245S

(12) **United States Design Patent**  
**Sato**

(10) **Patent No.:** **US D718,245 S**  
(45) **Date of Patent:** **\*\* Nov. 25, 2014**

(54) **ELECTRICAL CONNECTOR**

(75) Inventor: **Yukiko Sato**, Tokyo (JP)

(73) Assignee: **Japan Aviation Electronics Industry, Limited**, Tokyo (JP)

(\*\*) Term: **14 Years**

(21) Appl. No.: **29/426,986**

(22) Filed: **Jul. 12, 2012**

(30) **Foreign Application Priority Data**

Jan. 25, 2012 (JP) ..... 2012-001377

(51) **LOC (10) Cl.** ..... **13-03**

(52) **U.S. Cl.**  
USPC ..... **D13/147**

(58) **Field of Classification Search**  
USPC ..... D13/147, 154, 184, 199; 439/62, 79,  
439/260, 329, 395, 422, 492, 499, 608, 660  
See application file for complete search history.

(56) **References Cited**

**U.S. PATENT DOCUMENTS**

D485,532 S \* 1/2004 Lai ..... D13/147  
D505,919 S \* 6/2005 Moritake ..... D13/147  
D508,023 S \* 8/2005 Obikane et al. .... D13/147

D517,495 S \* 3/2006 Fan ..... D13/147  
D627,299 S \* 11/2010 Kimura et al. .... D13/147  
D639,745 S \* 6/2011 Kimura et al. .... D13/147

\* cited by examiner

*Primary Examiner* — Daniel Bui

(74) *Attorney, Agent, or Firm* — Westerman, Hattori,  
Daniels & Adrian, LLP

(57) **CLAIM**

The ornamental design for an electrical connector, as shown and described.

**DESCRIPTION**

FIG. 1 is a front elevational view of an electrical connector, showing my new design;  
FIG. 2 is a rear elevational view thereof;  
FIG. 3 is a right side elevational view thereof;  
FIG. 4 is a left side elevational view thereof;  
FIG. 5 is a top plan view thereof;  
FIG. 6 is a bottom plan view thereof;  
FIG. 7 is a right front perspective view showing the top thereof;  
FIG. 8 is a left rear perspective view showing the bottom thereof;  
FIG. 9 is a right front perspective view showing the bottom thereof; and,  
FIG. 10 is a left rear perspective view showing the top thereof.  
The broken line in the drawing is included to show unclaimed subject matter only and forms no part of the claimed design.

**1 Claim, 10 Drawing Sheets**

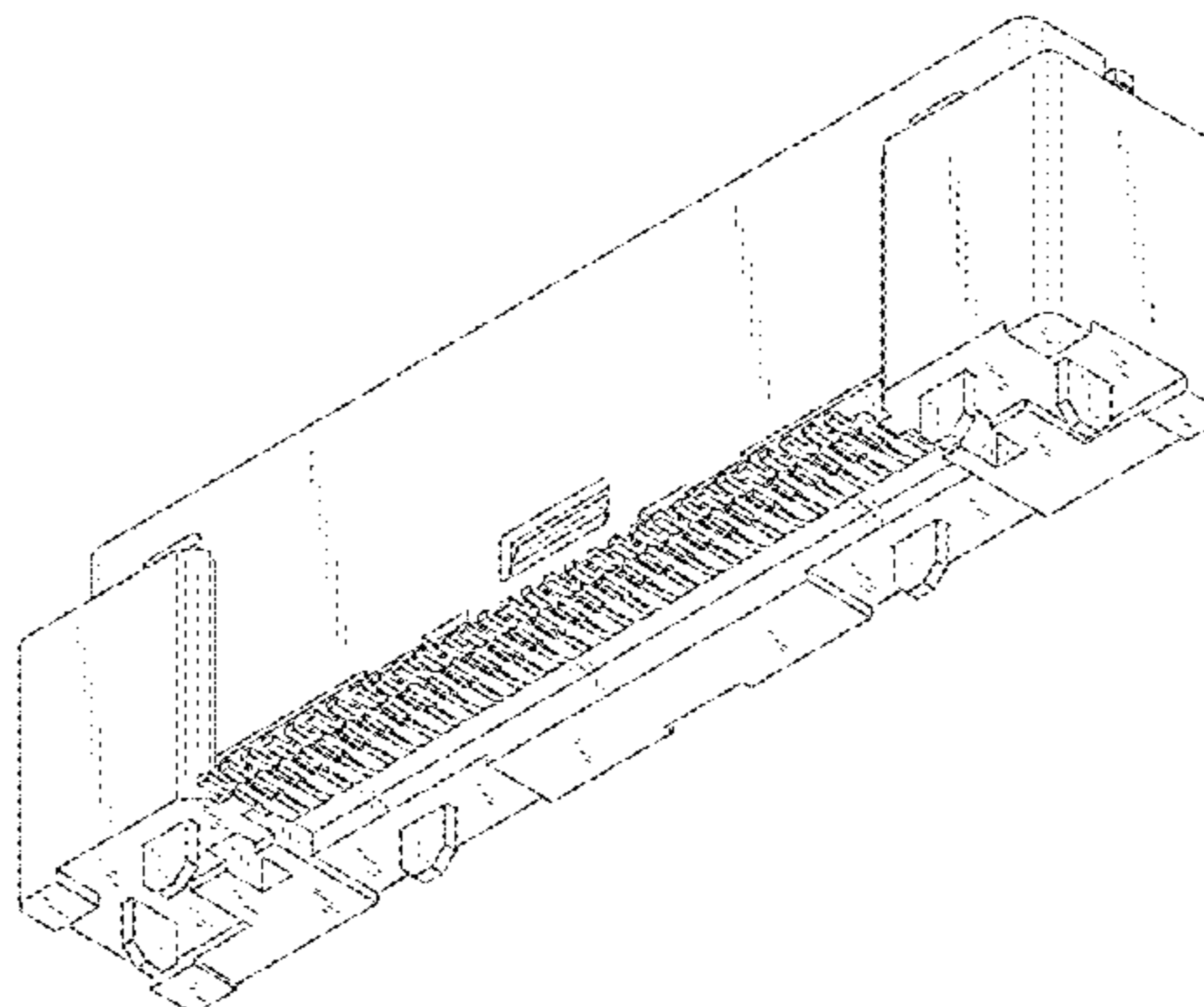
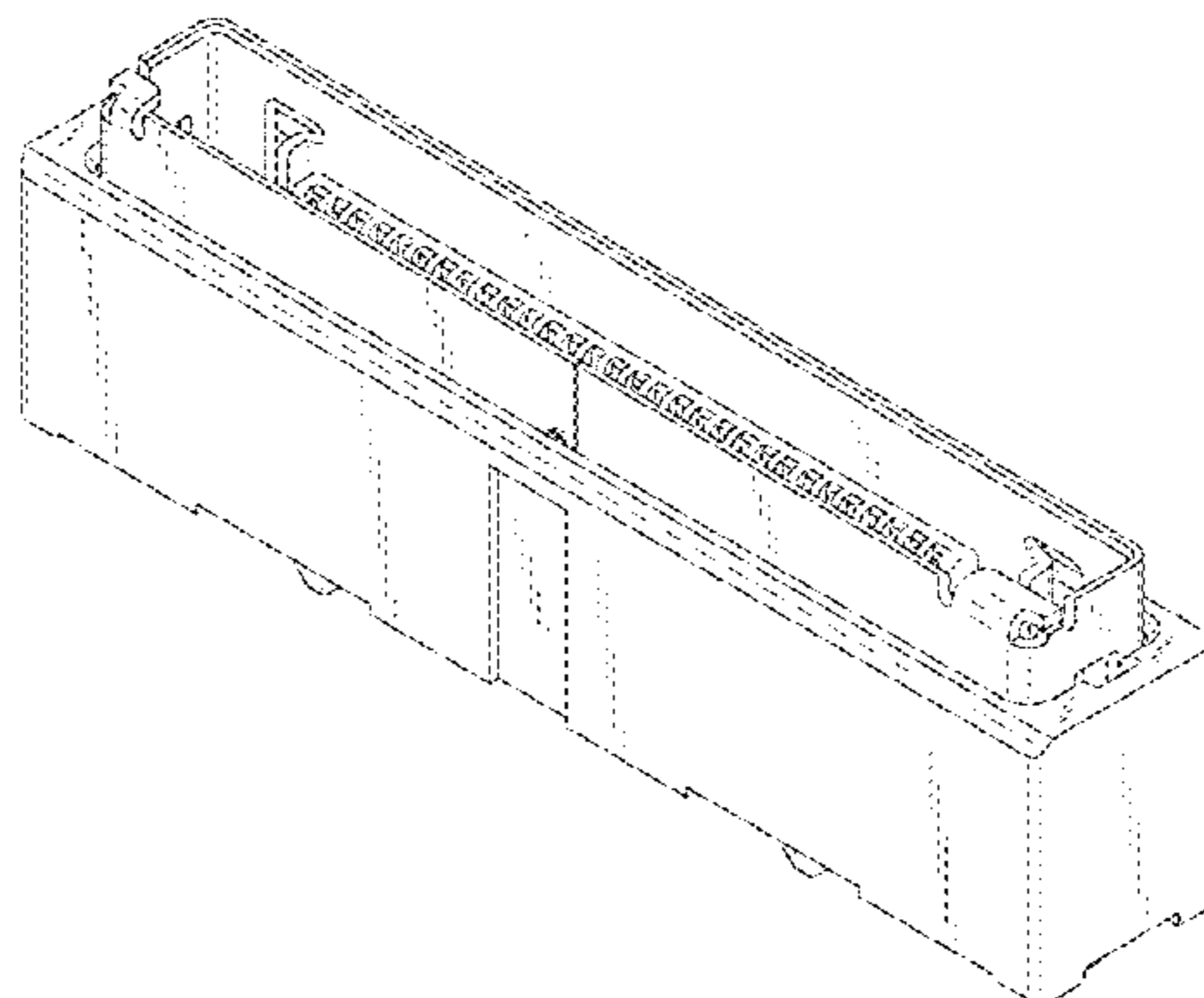


FIG. 1

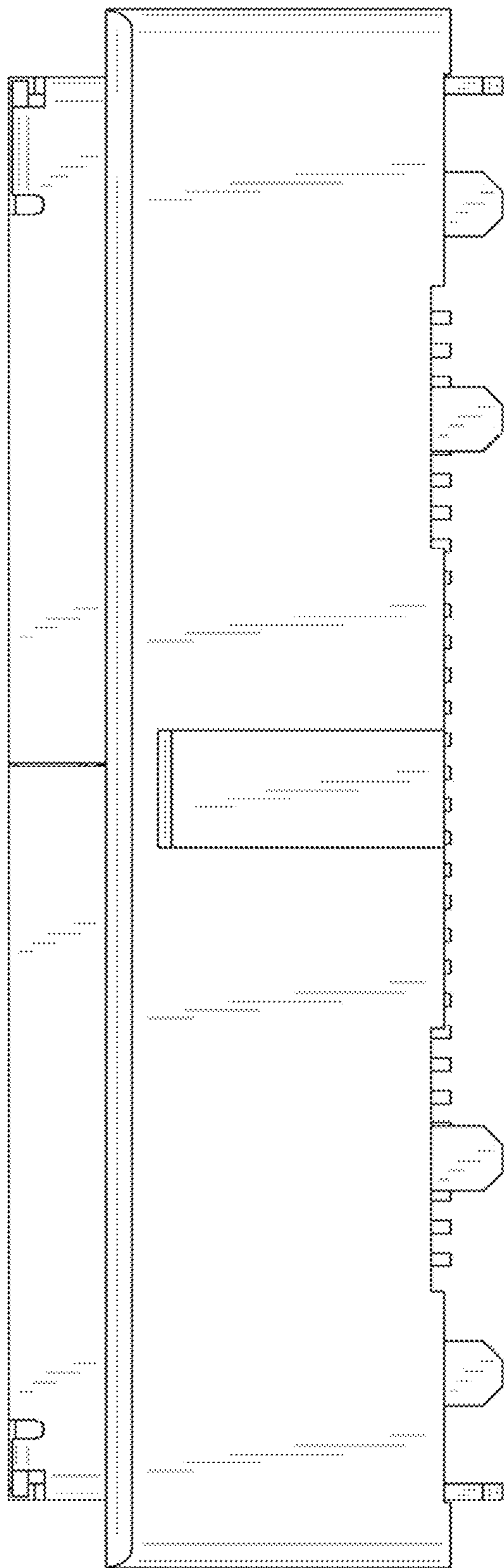


FIG. 2

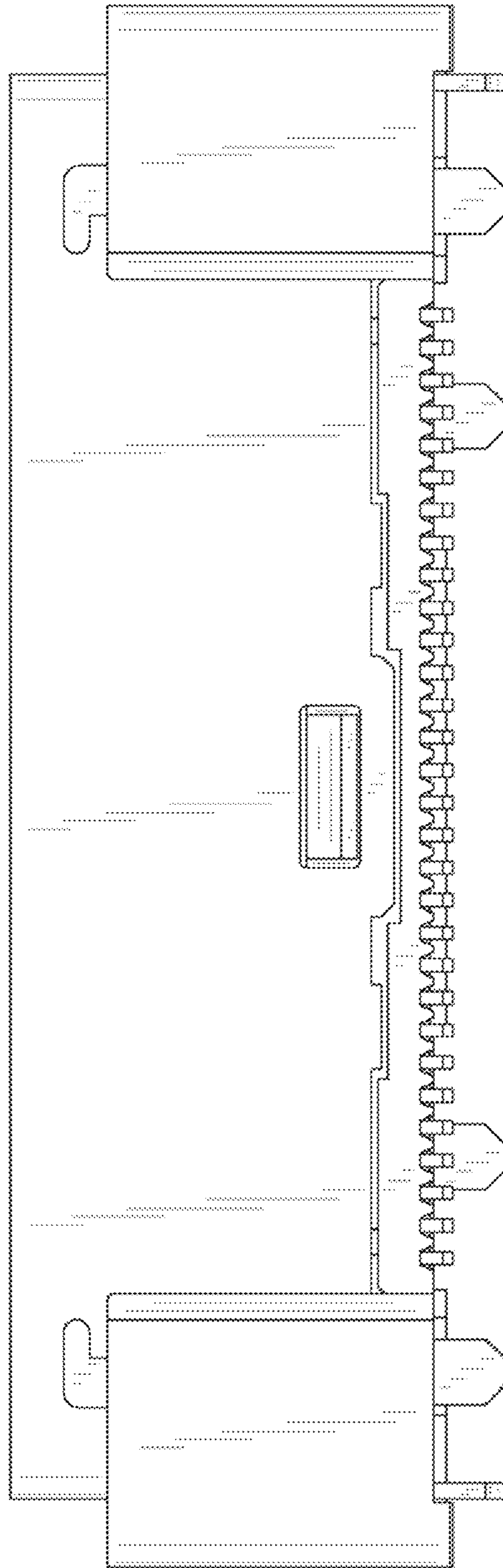


FIG. 3

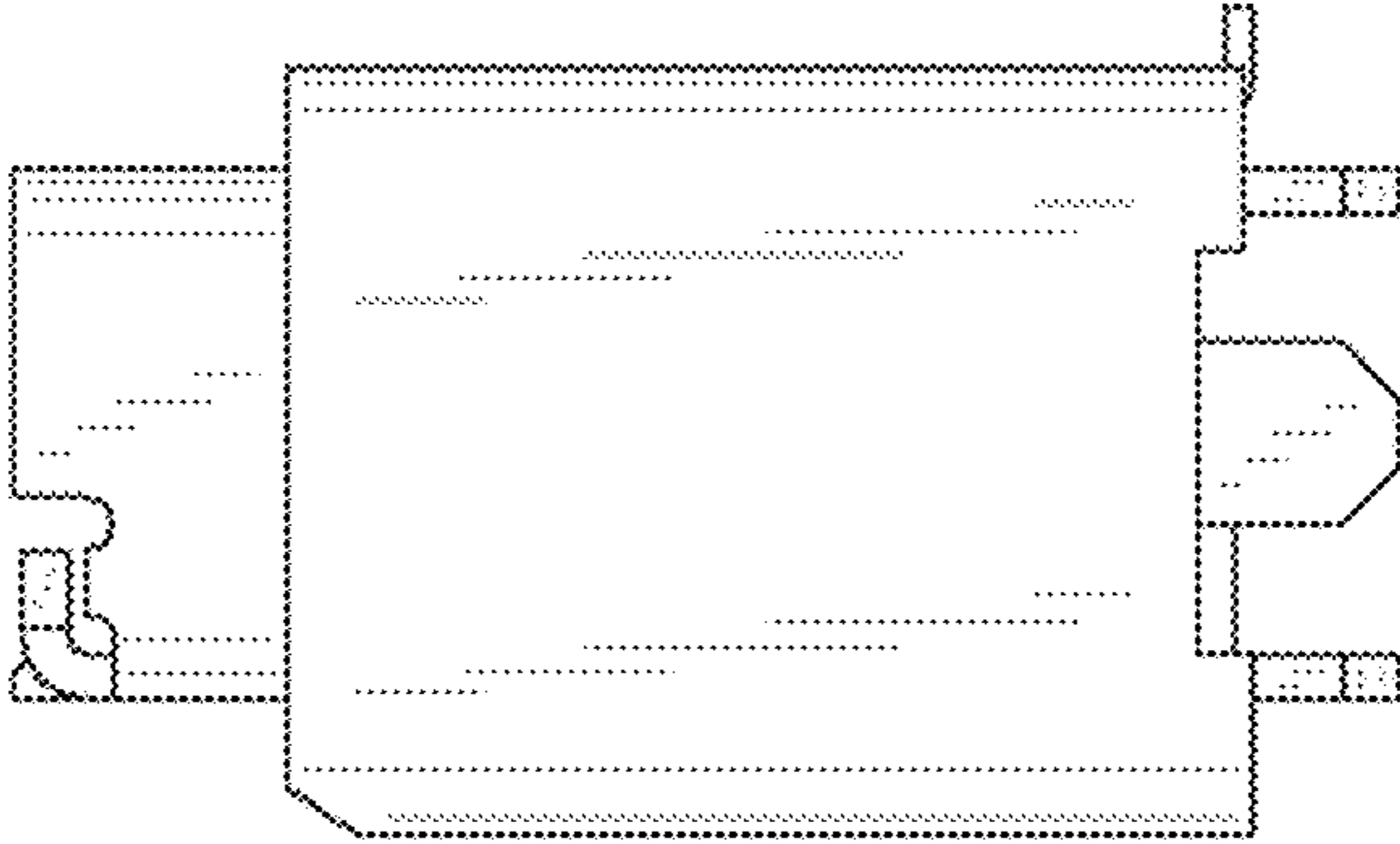


FIG. 4

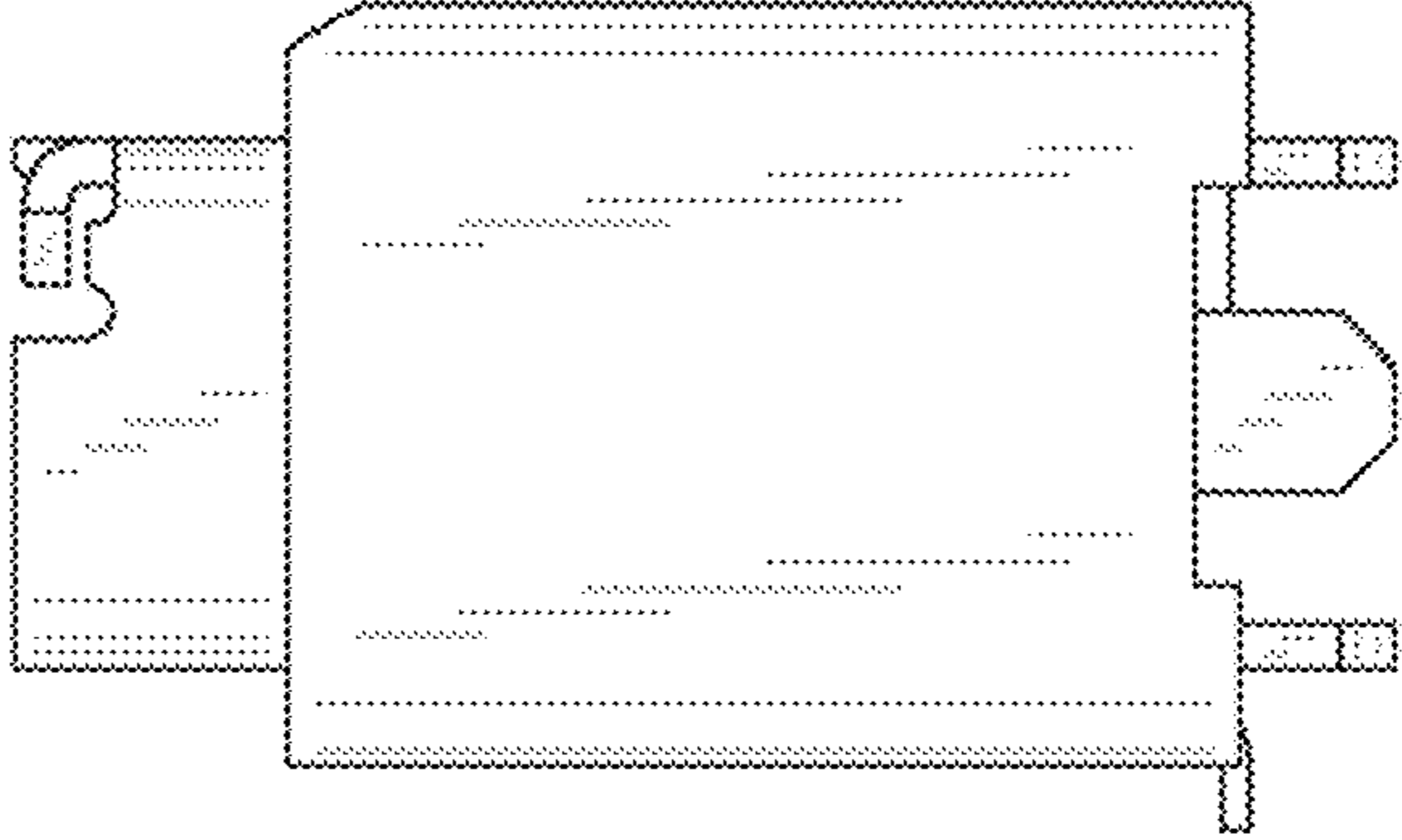




FIG. 5

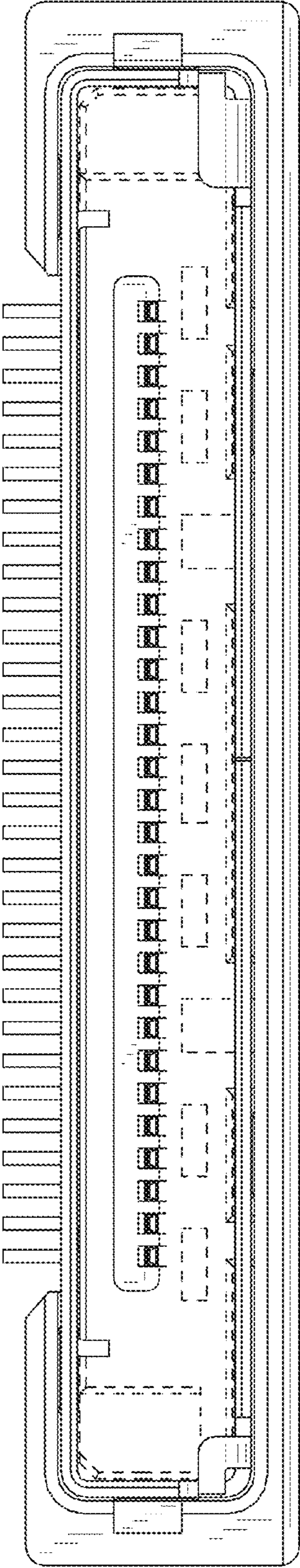


FIG. 6

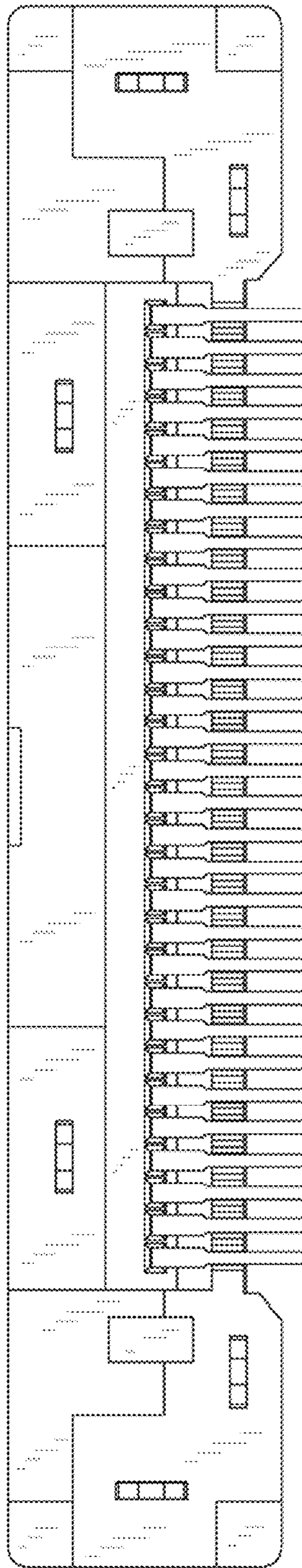
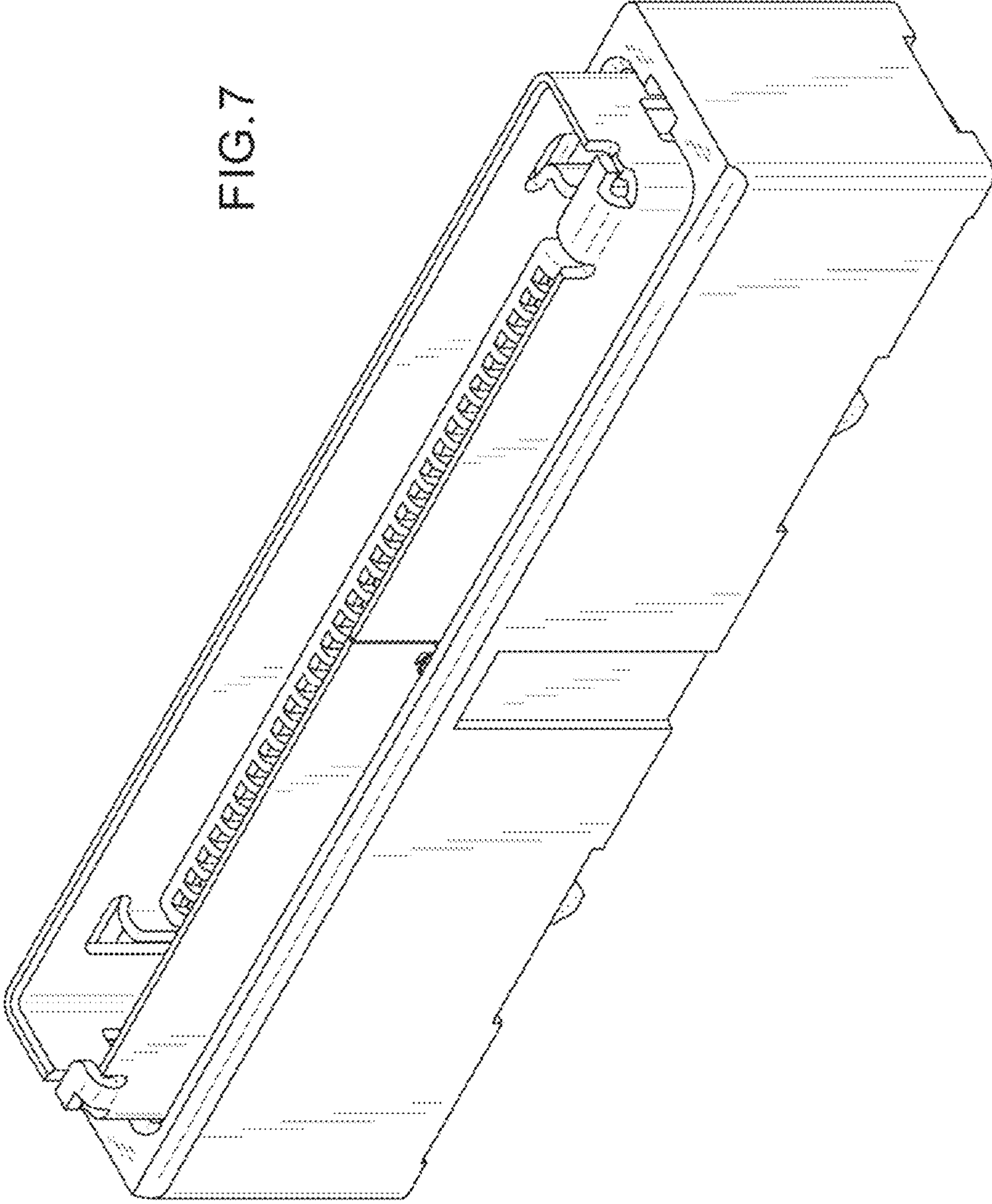


FIG. 7





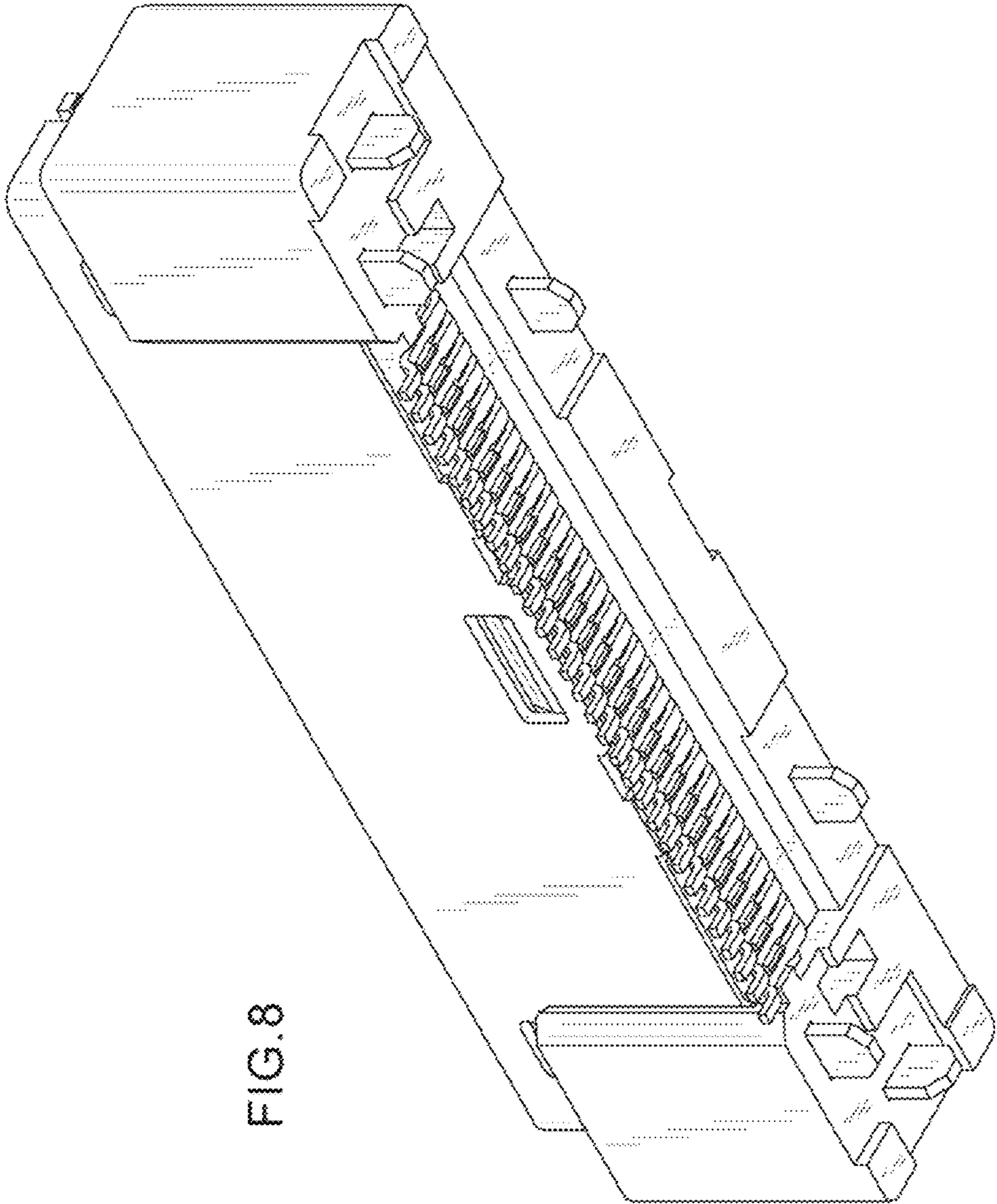


FIG. 8

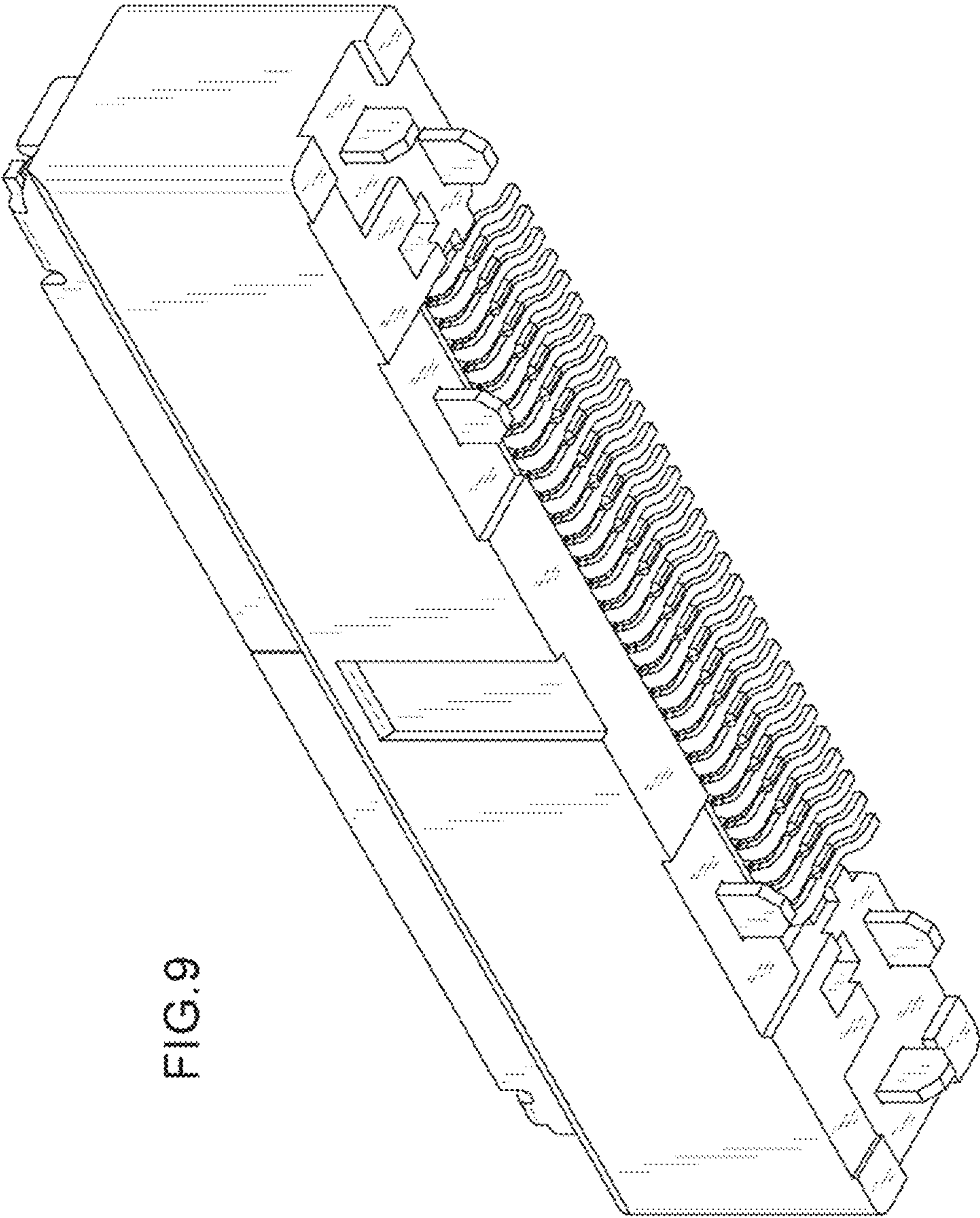


FIG. 9

FIG.10

