



US00D718243S

(12) **United States Design Patent**  
**Scholeno**

(10) **Patent No.:** **US D718,243 S**

(45) **Date of Patent:** **\*\* Nov. 25, 2014**

(54) **VERTICAL ELECTRICAL CONNECTOR**

(75) Inventor: **Michael Scholeno**, York, PA (US)

(73) Assignee: **FCI Americas Technology LLC**,  
Carson City, NV (US)

(\*\*) Term: **14 Years**

(21) Appl. No.: **29/418,380**

(22) Filed: **Apr. 16, 2012**

(51) **LOC (10) Cl.** ..... **13-03**

(52) **U.S. Cl.**  
USPC ..... **D13/147**

(58) **Field of Classification Search**  
USPC ..... D13/146, 147, 149, 154, 184, 199;  
439/74, 108, 180, 252, 258, 246, 278,  
439/374, 378, 379, 381, 527, 529, 533, 660,  
439/717, 865-894, 953; 174/16.3; 257/697,  
257/727; 361/769

See application file for complete search history.

(56) **References Cited**

**U.S. PATENT DOCUMENTS**

D205,509 S *	8/1966	Reynolds	.....	D13/147
D210,829 S *	4/1968	Hanlon et al.	.....	D13/147
D497,343 S *	10/2004	Busse et al.	.....	D13/147
D598,389 S *	8/2009	Yu et al.	.....	D13/147
D608,292 S *	1/2010	Stutz	.....	D13/147
D611,906 S *	3/2010	Takada et al.	.....	D13/147
D611,907 S *	3/2010	Takada et al.	.....	D13/147
2004/0161954 A1 *	8/2004	Johnescu et al.	.....	439/74
2006/0160425 A1 *	7/2006	Fuerst	.....	439/638
2012/0034820 A1	2/2012	Lang et al.		
2012/0258633 A1 *	10/2012	Johnson et al.	.....	439/660

**OTHER PUBLICATIONS**

SFF-Committee, "Mini Multilane 12 Gbs 8/4X Unshielded Connector", SFF-8643 Rev 2.3, Jan. 11, 2011, 24 pages.  
U.S. Appl. No. 29/420,039, filed May 3, 2012, Scholeno.  
U.S. Appl. No. 29/439,437, filed Dec. 11, 2012, Harper, Jr.  
U.S. Appl. No. 29/439,445, filed Dec. 11, 2012, Lord et al.  
U.S. Appl. No. 29/439,453, filed Dec. 11, 2012, Lord.

\* cited by examiner

*Primary Examiner* — Daniel Bui

(74) *Attorney, Agent, or Firm* — Baker & Hostetler LLP

(57) **CLAIM**

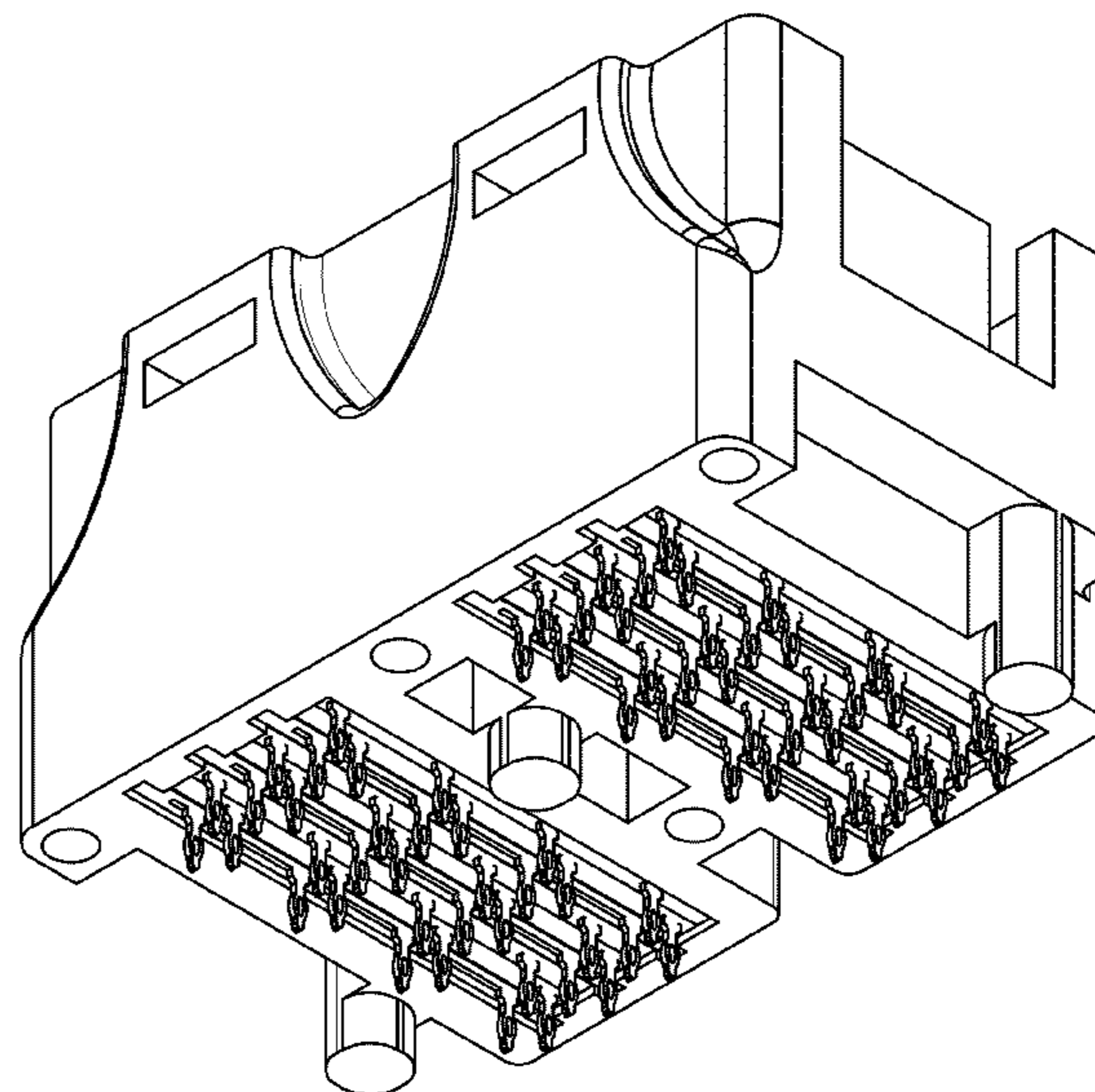
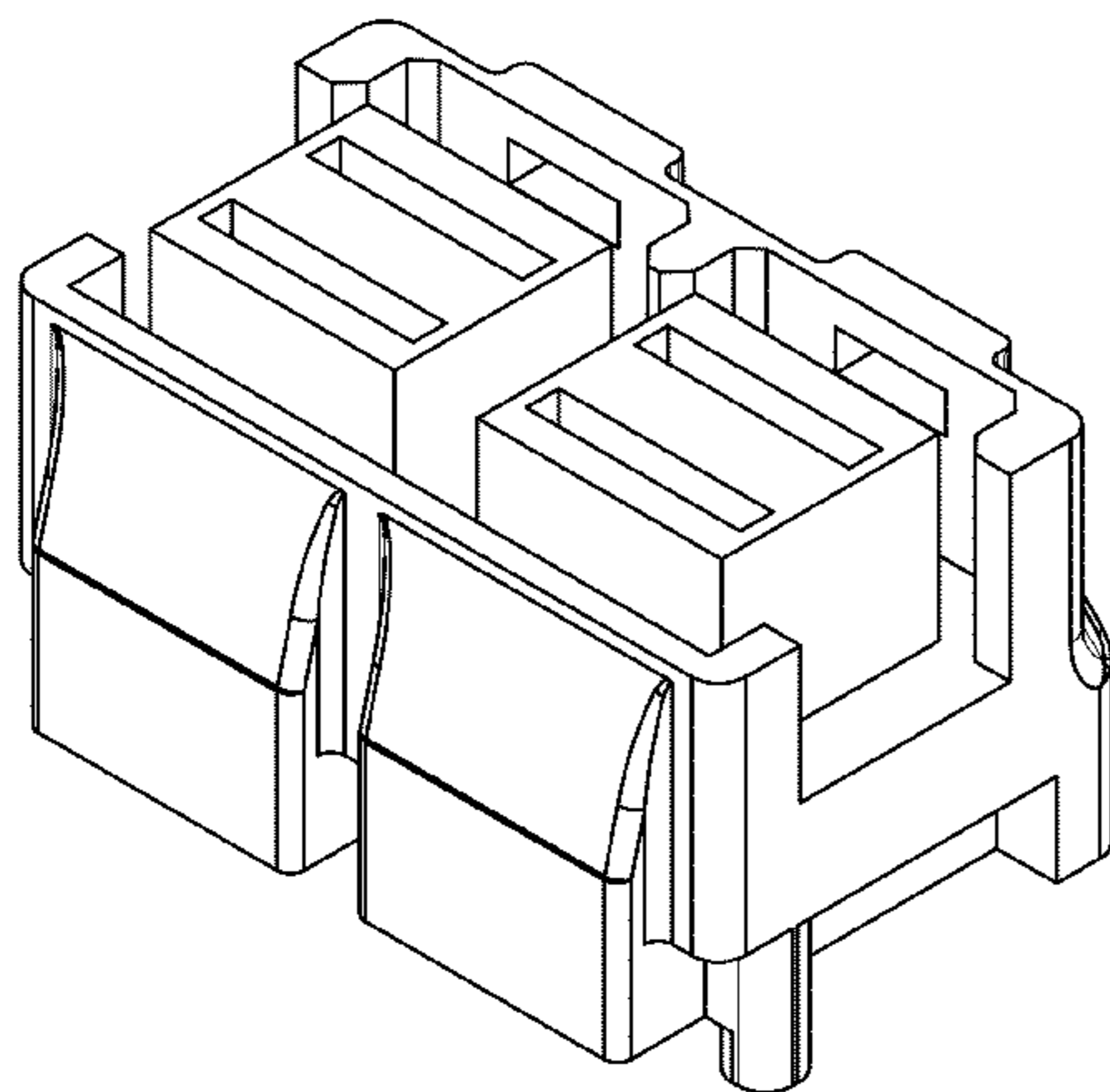
The ornamental design for a vertical electrical connector, as shown and described.

**DESCRIPTION**

FIG. 1 is a top, right, front perspective view of a vertical electrical connector showing my design;  
FIG. 2 is a bottom, left, front perspective view thereof;  
FIG. 3 is a bottom, left, rear perspective view thereof;  
FIG. 4 is a right side elevation view thereof;  
FIG. 5 is a left side elevation view thereof;  
FIG. 6 is a front elevation view thereof;  
FIG. 7 is a rear elevation view thereof;  
FIG. 8 is a top plan view thereof; and,  
FIG. 9 is a bottom plan view thereof.

In a preferred embodiment, the nature of this product is an electrical component that can take the form of a vertical electrical connector and a connector housing therefor.

**1 Claim, 5 Drawing Sheets**



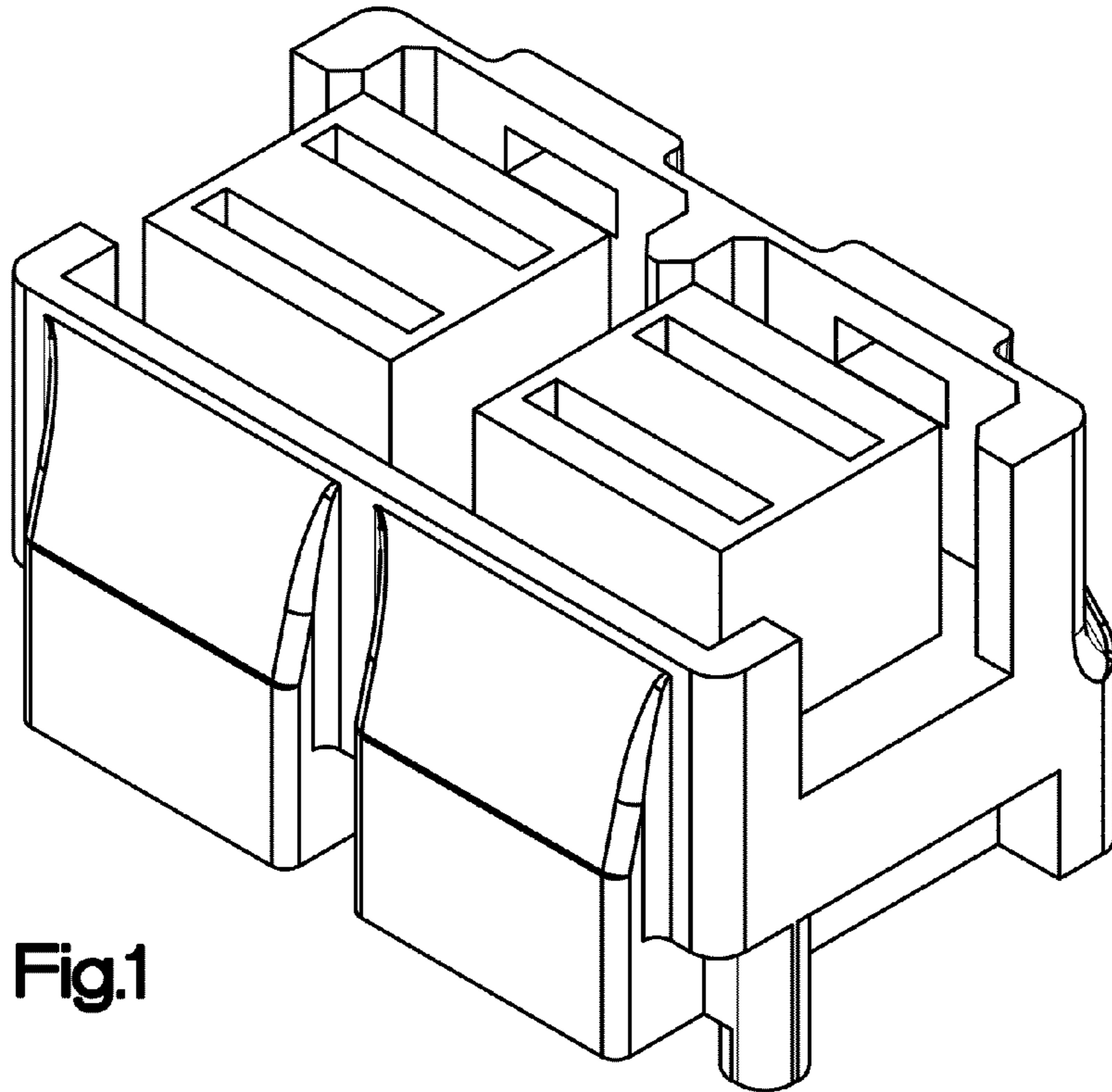


Fig.1

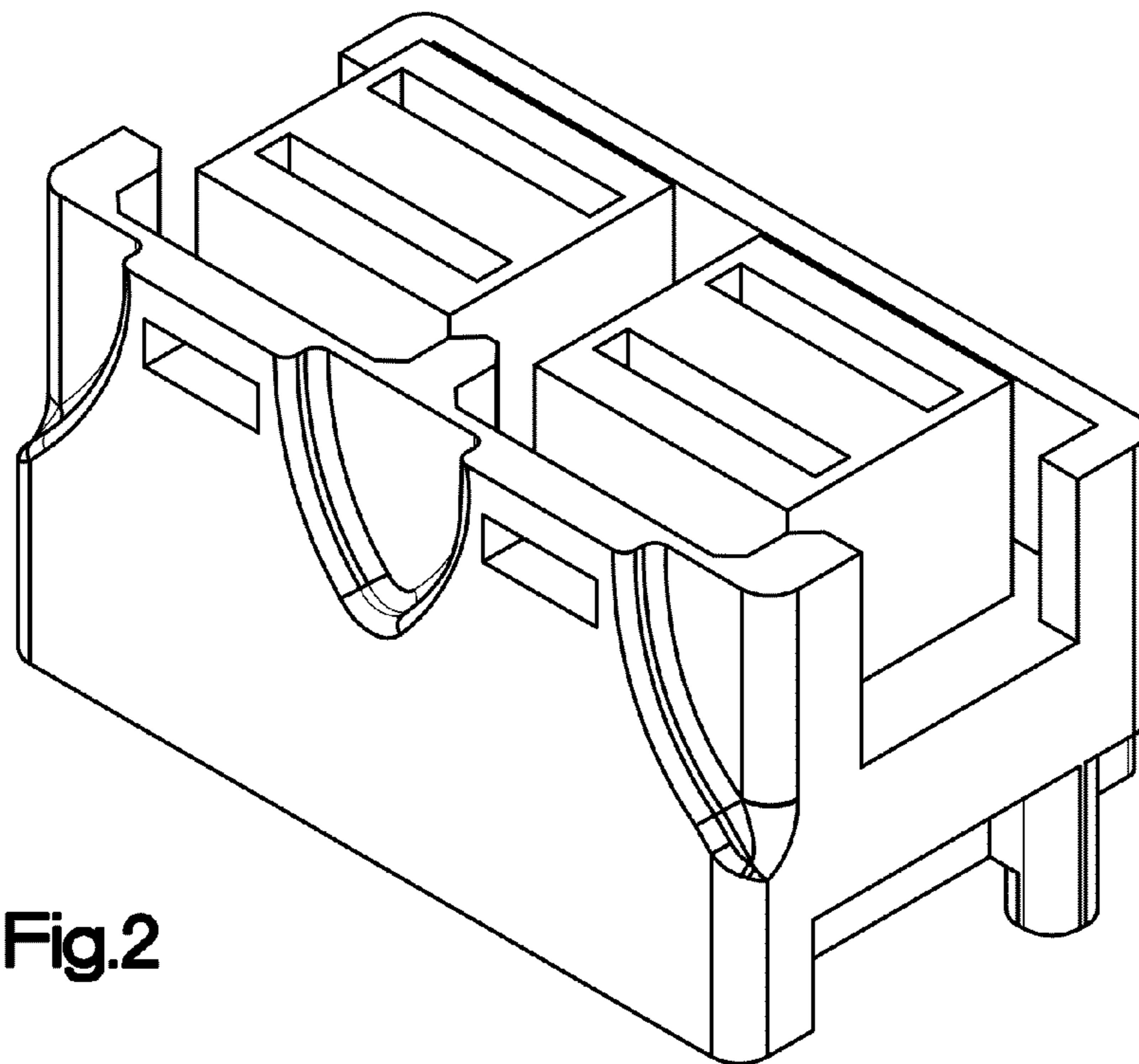


Fig.2

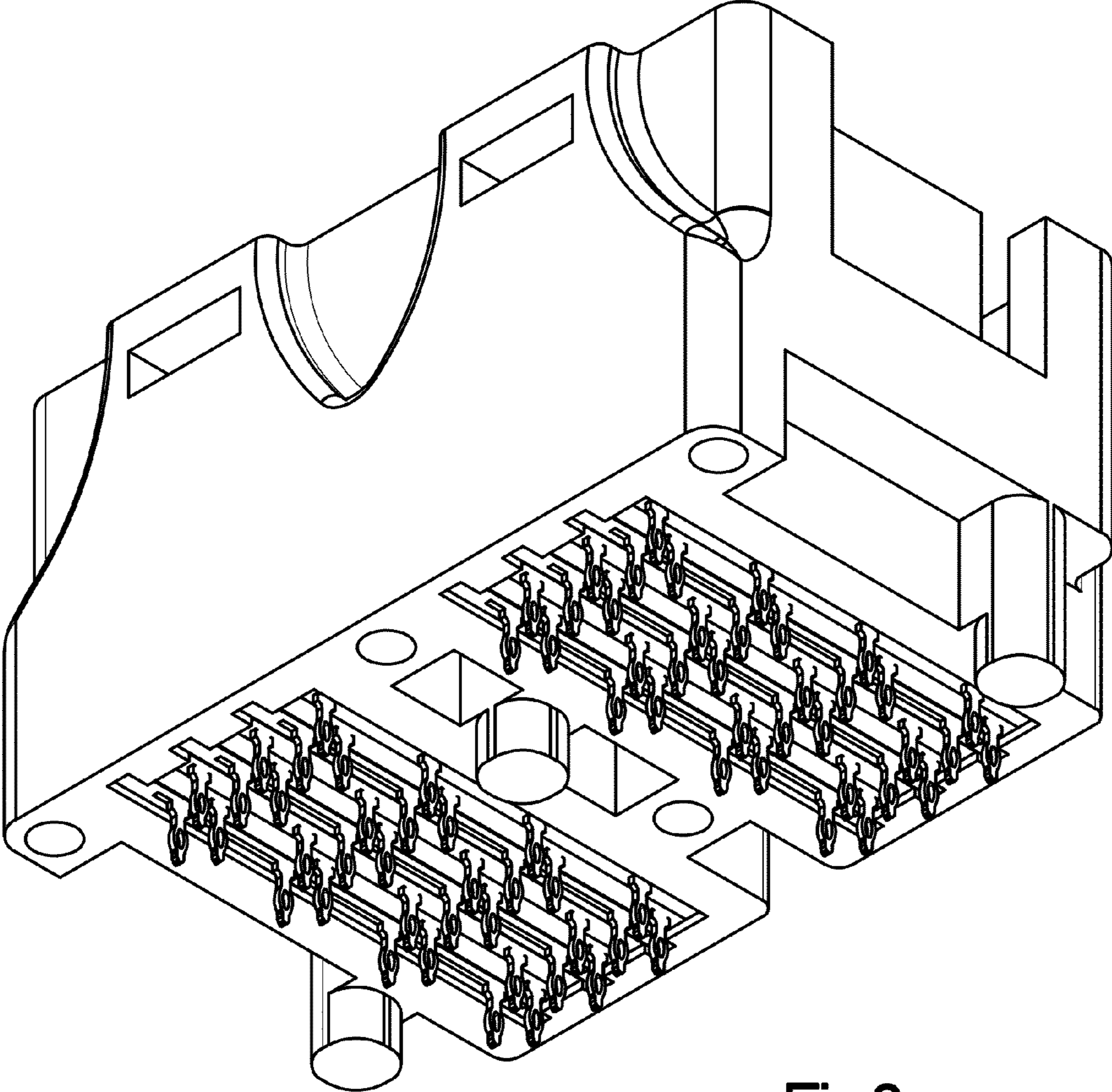


Fig.3

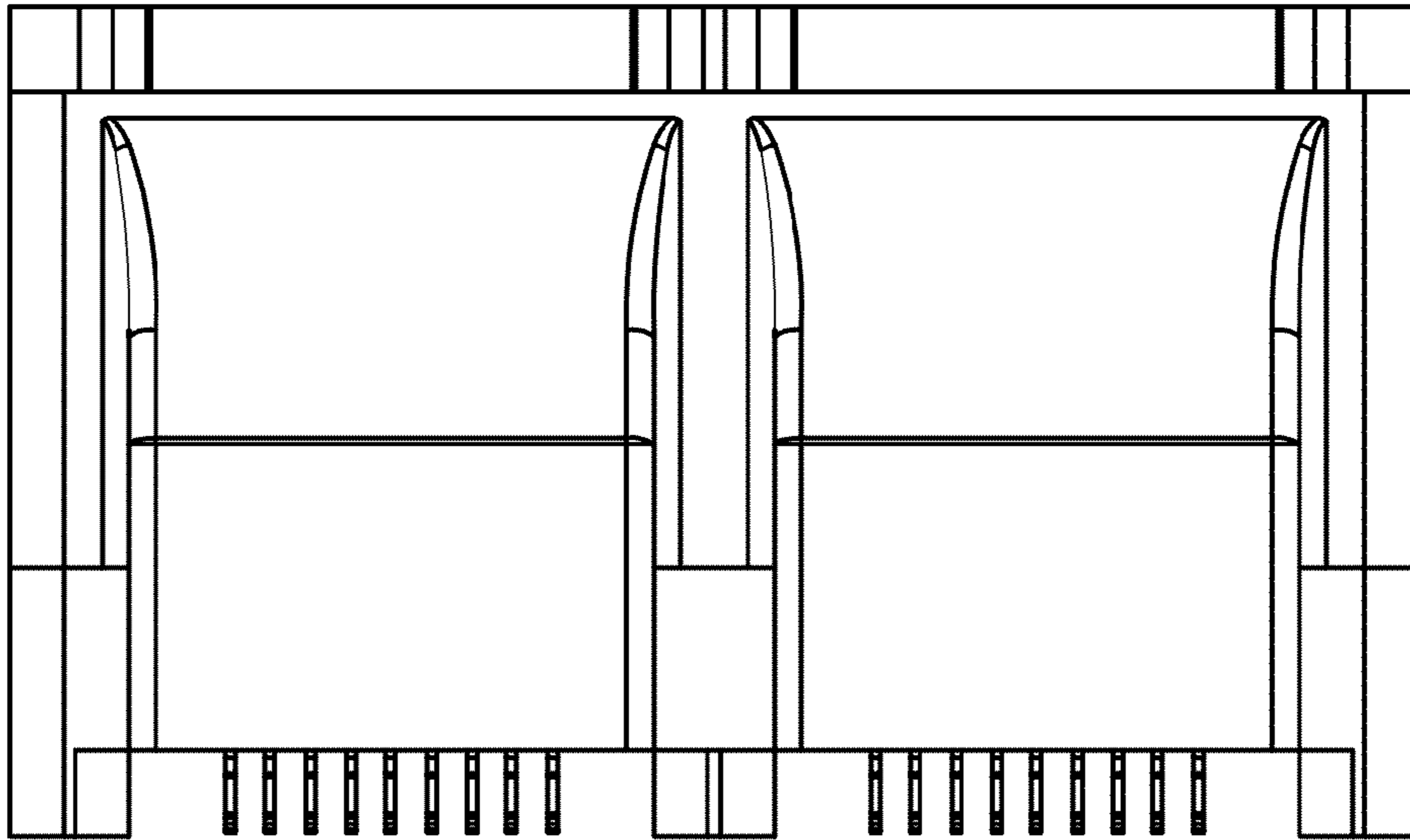


Fig.4

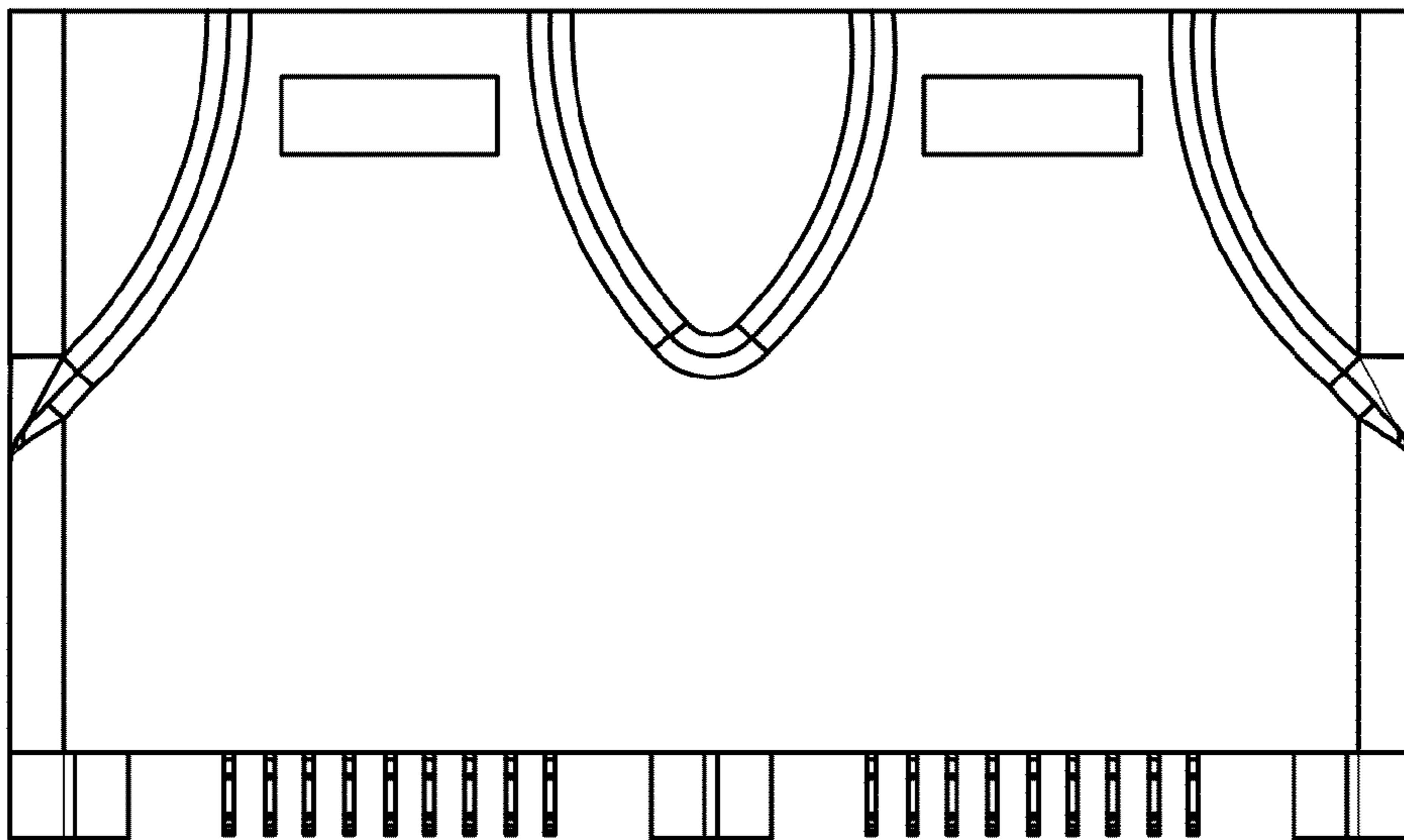


Fig.5

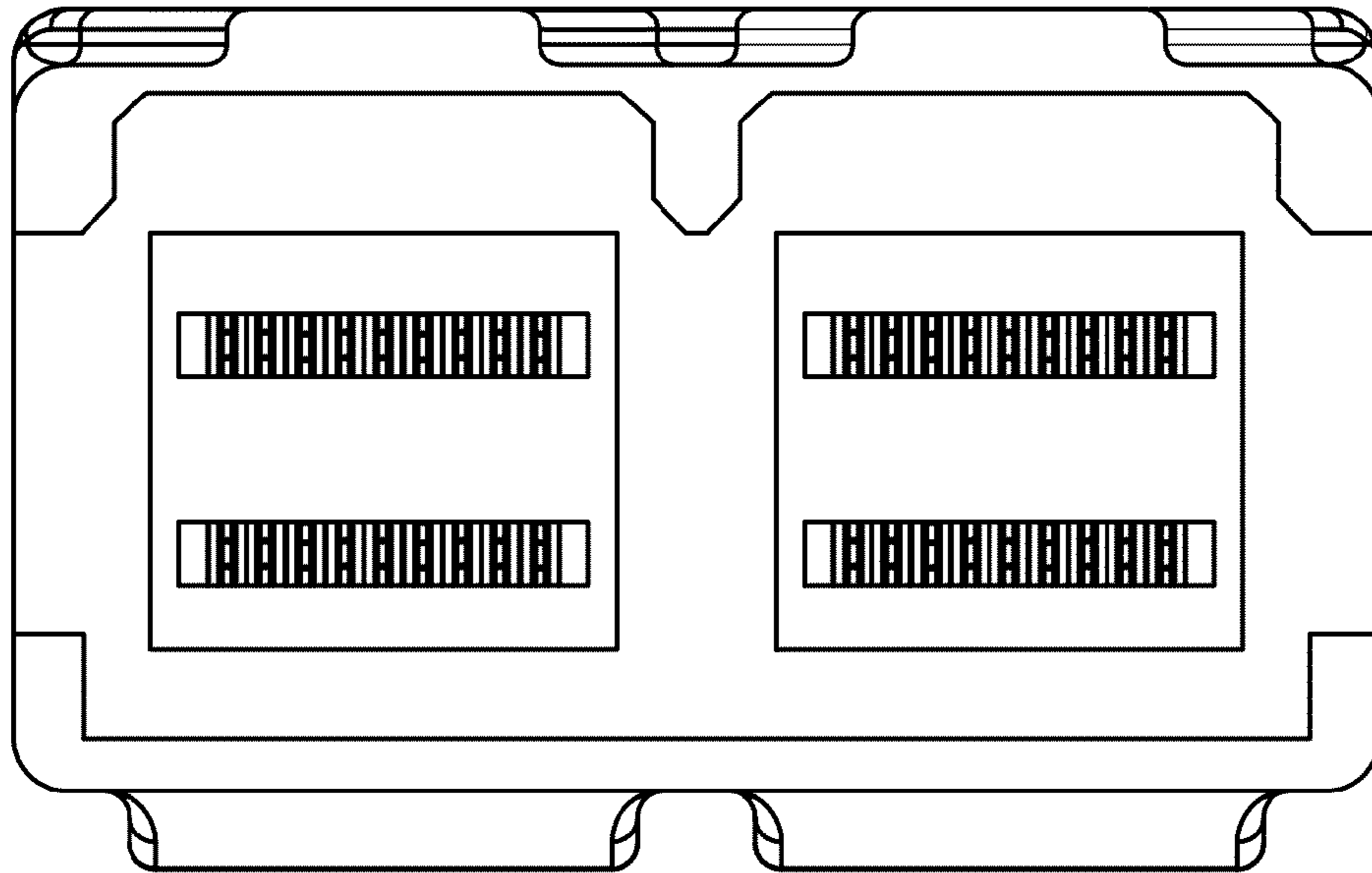


Fig.6

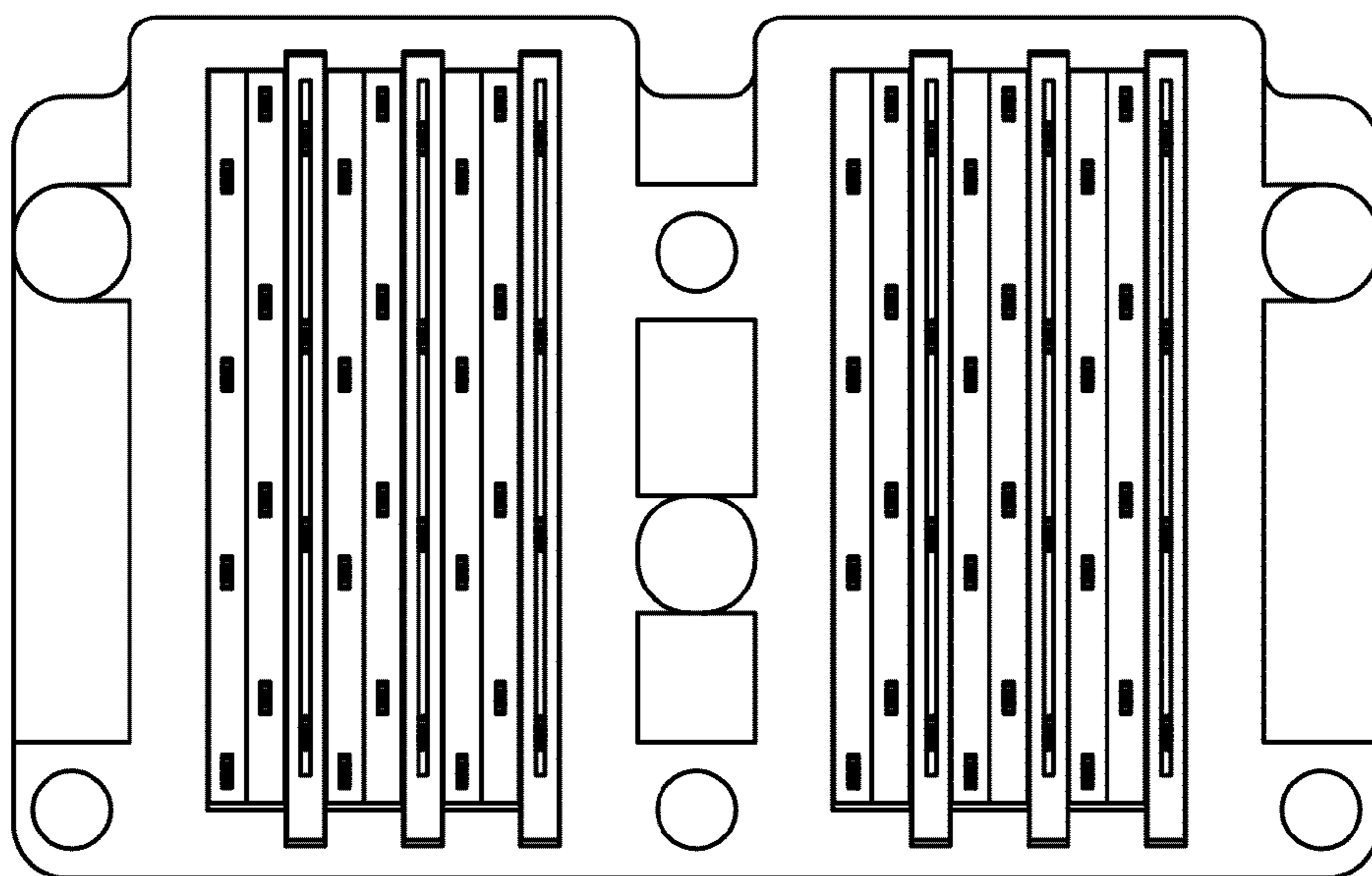


Fig.7

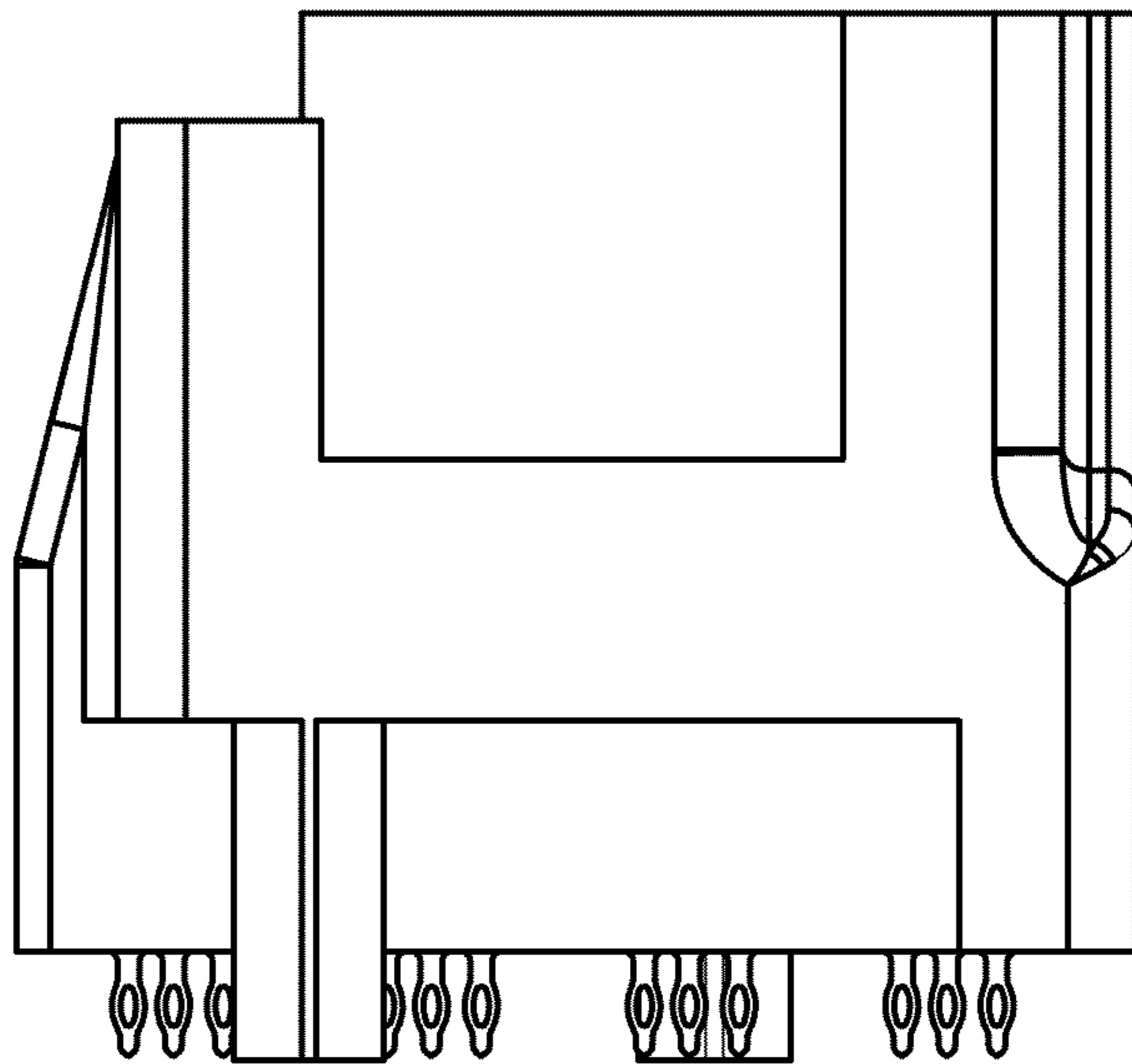


Fig.8

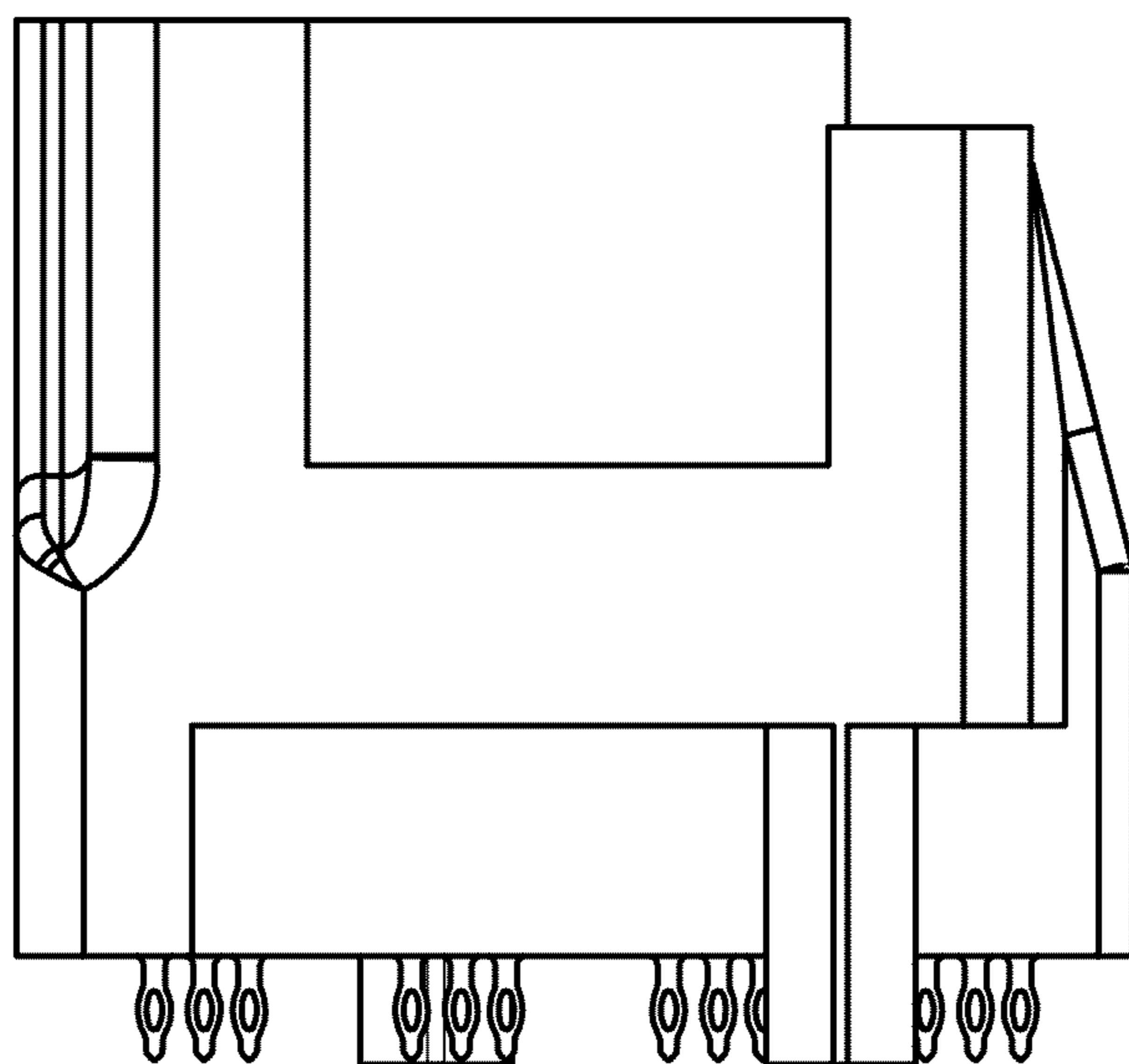


Fig.9