



US00D718242S

(12) **United States Design Patent**
Aspinall et al.

(10) **Patent No.:** **US D718,242 S**

(45) **Date of Patent:** **** Nov. 25, 2014**

(54) **CAR CHARGER**

(71) Applicant: **Iottie, Inc.**, Hackensack, NJ (US)

(72) Inventors: **John Aspinall**, Staten Island, NY (US);
James Byun, Brooklyn, NY (US); **Kyu Seop Lee**, Basking Ridge, NJ (US); **Alan Yu Tung Ng**, New York, NY (US)

(73) Assignee: **Iottie, Inc.**, Hackensack, NJ (US)

(**) Term: **14 Years**

(21) Appl. No.: **29/486,916**

(22) Filed: **Apr. 3, 2014**

(51) **LOC (10) Cl.** **13-03**

(52) **U.S. Cl.**
USPC **D13/144**

(58) **Field of Classification Search**
USPC D13/144, 101, 107, 108, 110, 118, 119,
D13/133, 184, 199; D14/155, 432, 434,
D14/435.1, 356, 480.1, 480.7; 320/107,
320/108, 109, 110, 111, 112, 113, 114,
320/115; 439/300, 620.01, 638, 668, 669,
439/675, 825; 363/146

See application file for complete search history.

(56) **References Cited**

U.S. PATENT DOCUMENTS

D398,287 S *	9/1998	Luminosu	D13/144
D400,177 S *	10/1998	Jones	D13/144
D469,400 S *	1/2003	Shor et al.	D13/107
D481,358 S *	10/2003	Hsiao	D13/144
D494,542 S *	8/2004	Hriscu et al.	D13/110
D570,773 S *	6/2008	Lloyd et al.	D13/110
D617,278 S *	6/2010	Tang et al.	D13/144

D626,072 S *	10/2010	Tseng et al.	D13/144
D628,152 S *	11/2010	Fujii et al.	D13/108
D652,384 S *	1/2012	Lee	D13/144

* cited by examiner

Primary Examiner — Derrick Holland

(74) *Attorney, Agent, or Firm* — Lucas & Mercanti LLP

(57) **CLAIM**

The ornamental design for a car charger, as shown and described.

DESCRIPTION

FIG. 1 is a first perspective view of a car charger showing our new design;

FIG. 2 is a second perspective view of a car charger showing our new design;

FIG. 3 is a third perspective view of a car charger showing our new design;

FIG. 4 is a fourth perspective view of a car charger showing our new design;

FIG. 5 is a front view of a car charger showing our new design;

FIG. 6 is a first side view of a car charger showing our new design;

FIG. 7 is a top plan view of a car charger showing our new design, the bottom plan view being a mirror image;

FIG. 8 is a second side view of a car charger showing our new design;

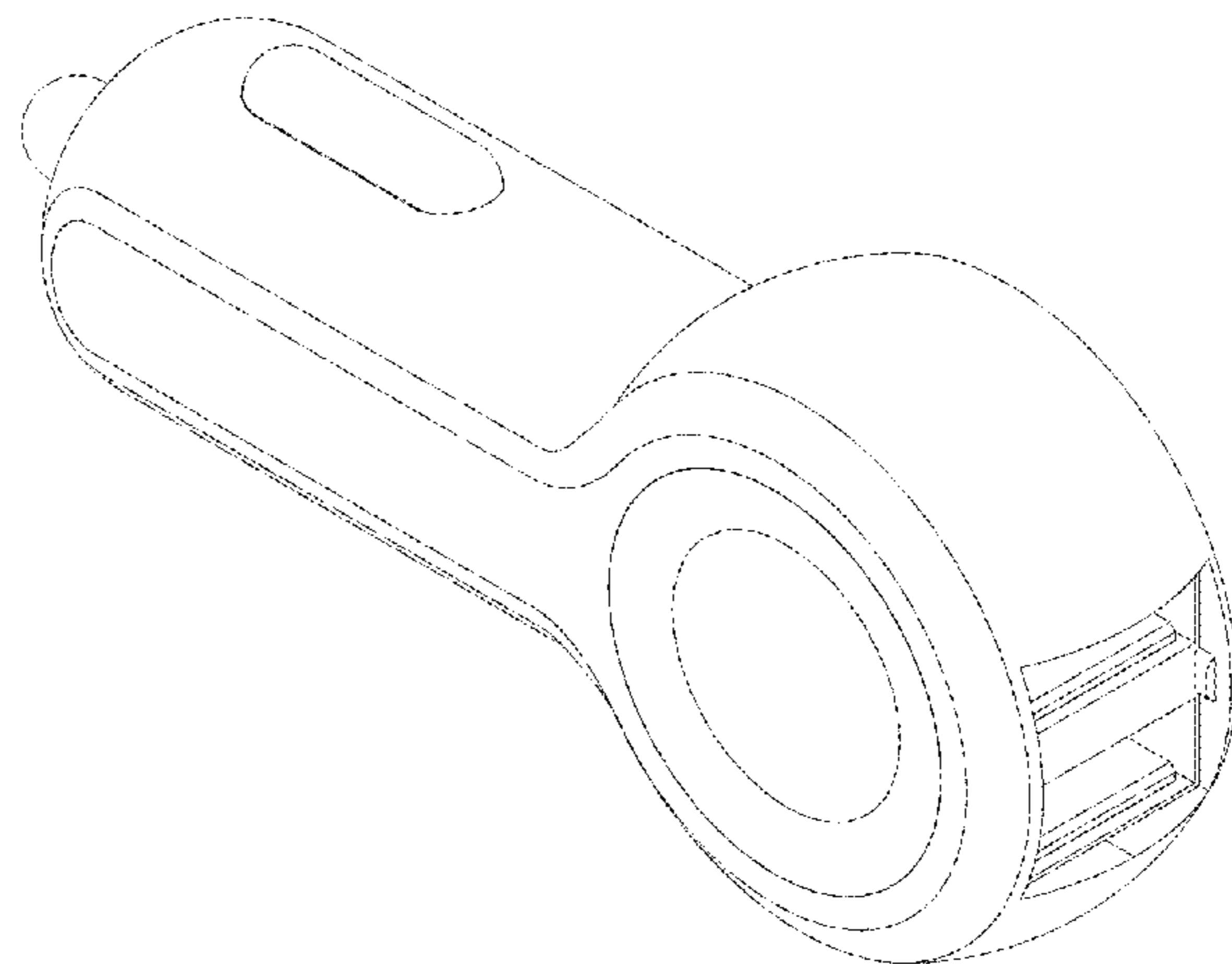
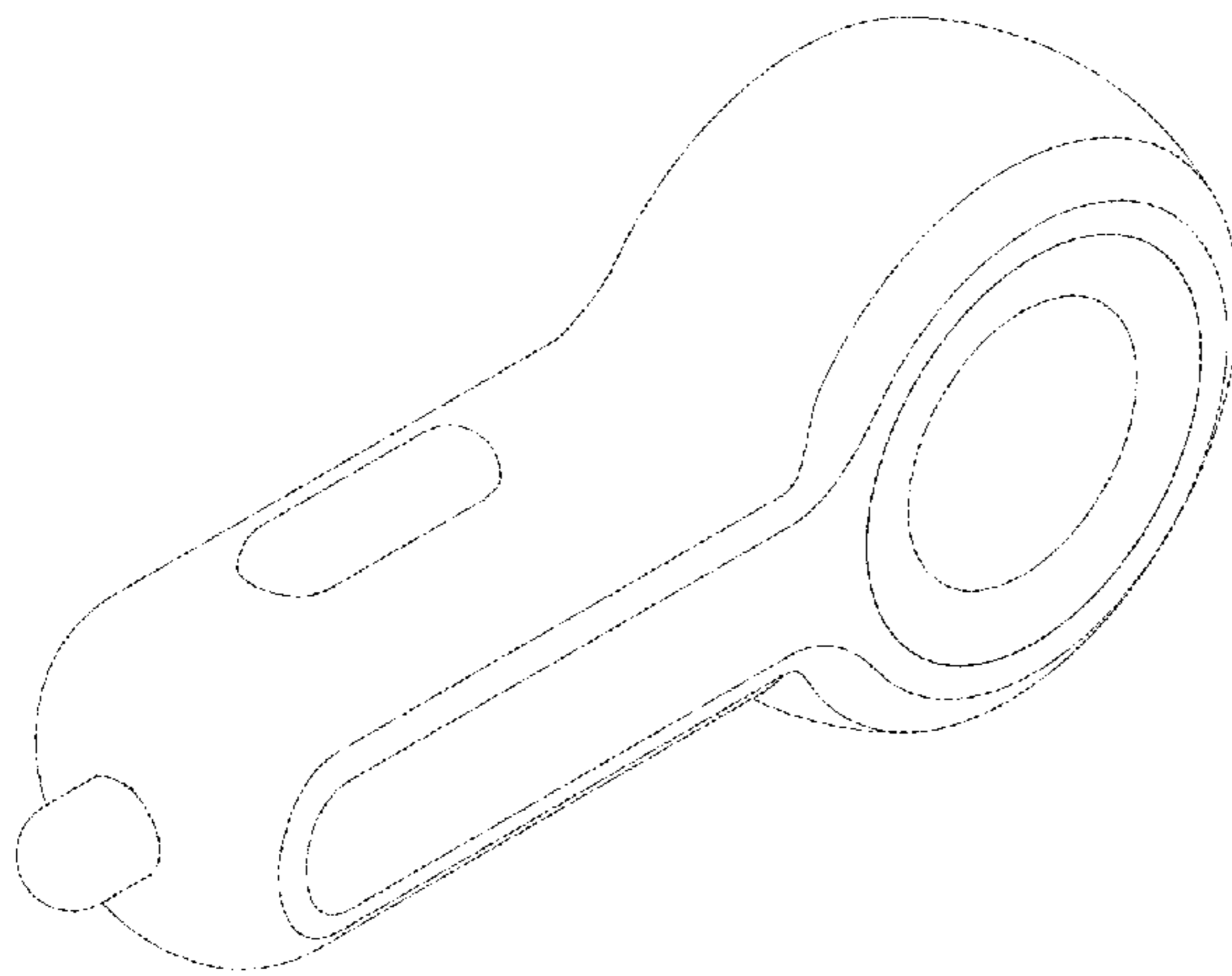
FIG. 9 is a rear view of a car charger showing our new design;

FIG. 10 is a fifth perspective view of a car charger showing our new design;

FIG. 11 is a sixth perspective view of a car charger showing our new design; and,

FIG. 12 is a seventh perspective view of a car charger showing our new design.

1 Claim, 6 Drawing Sheets



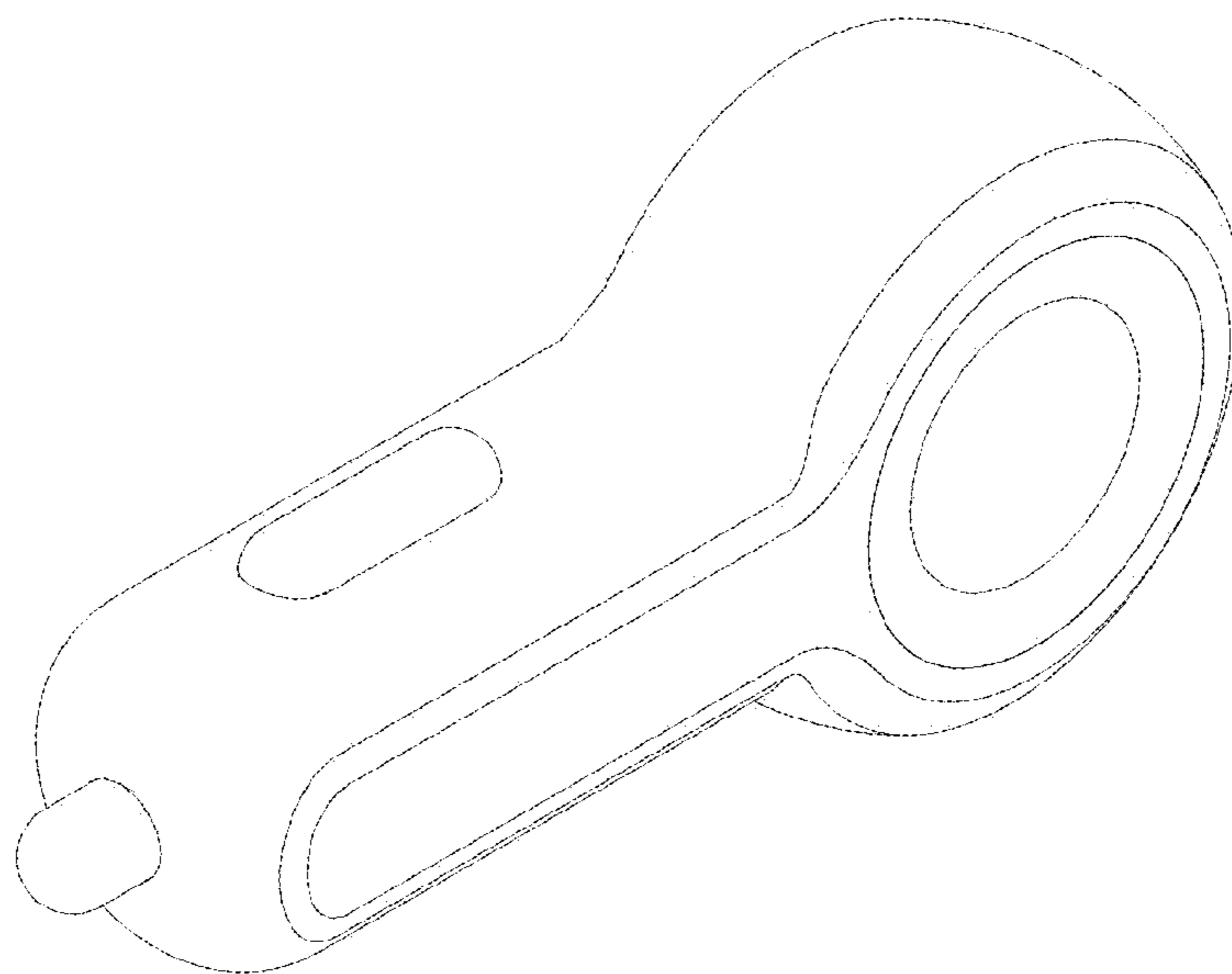


Figure 1

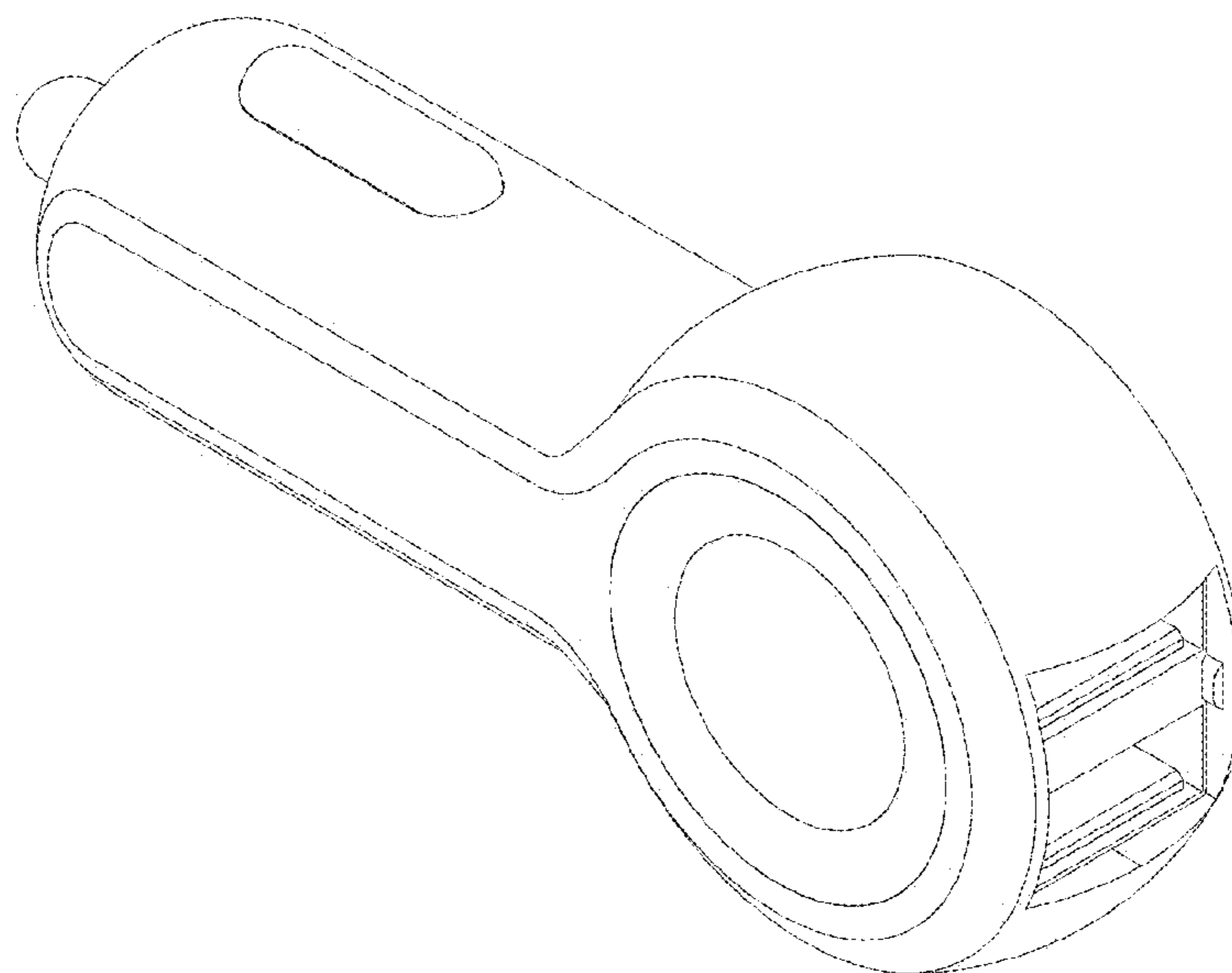


Figure 2

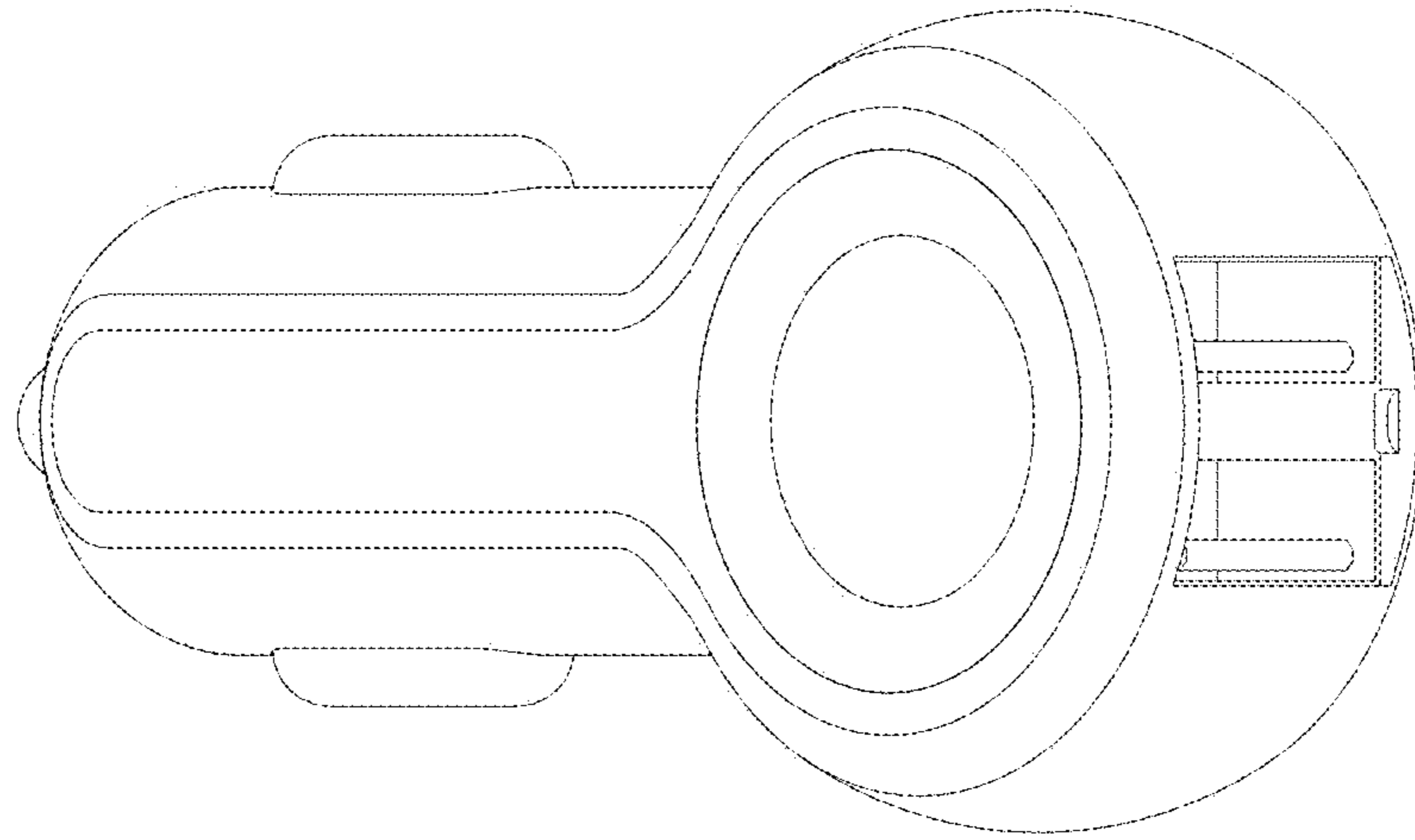


Figure 3

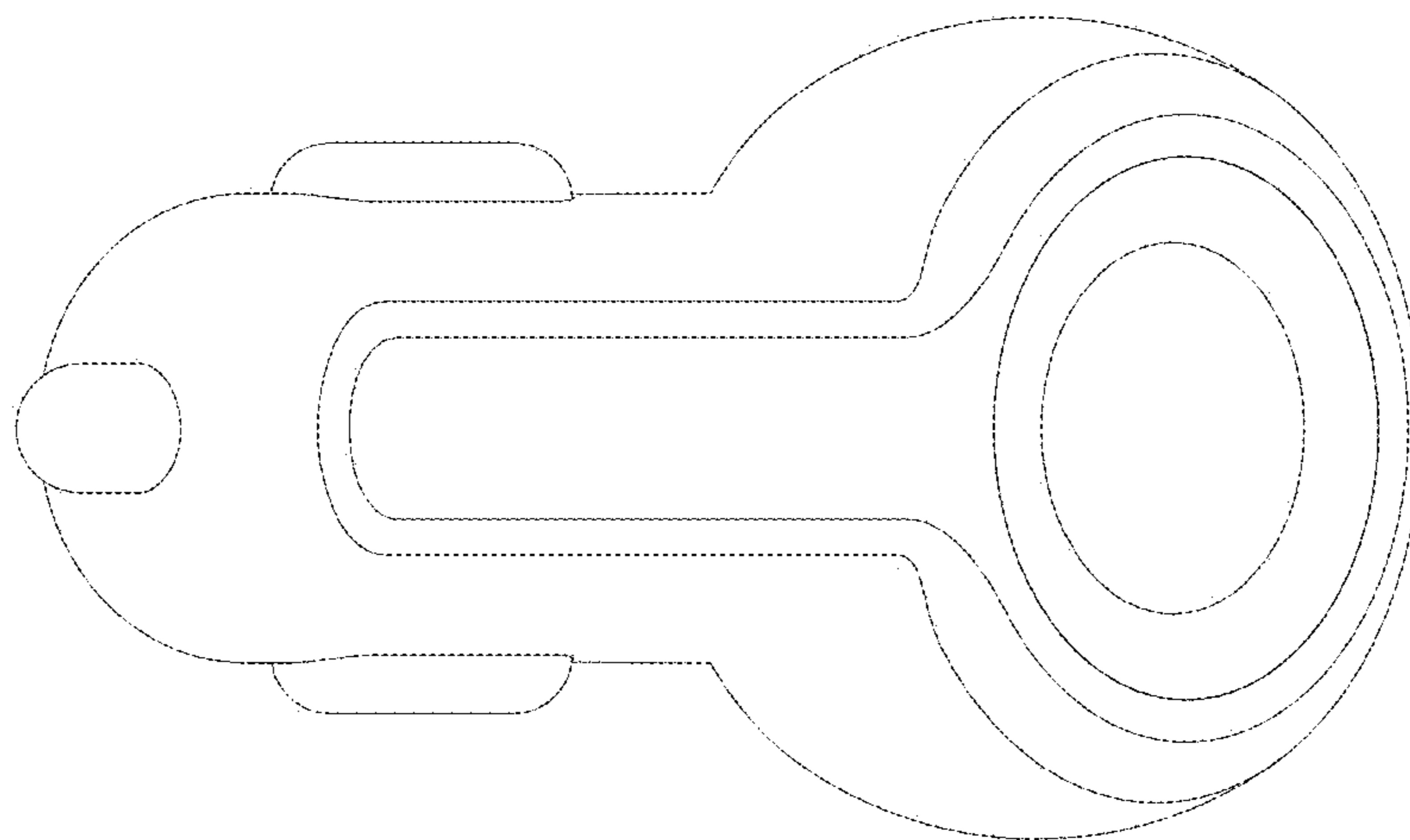


Figure 4

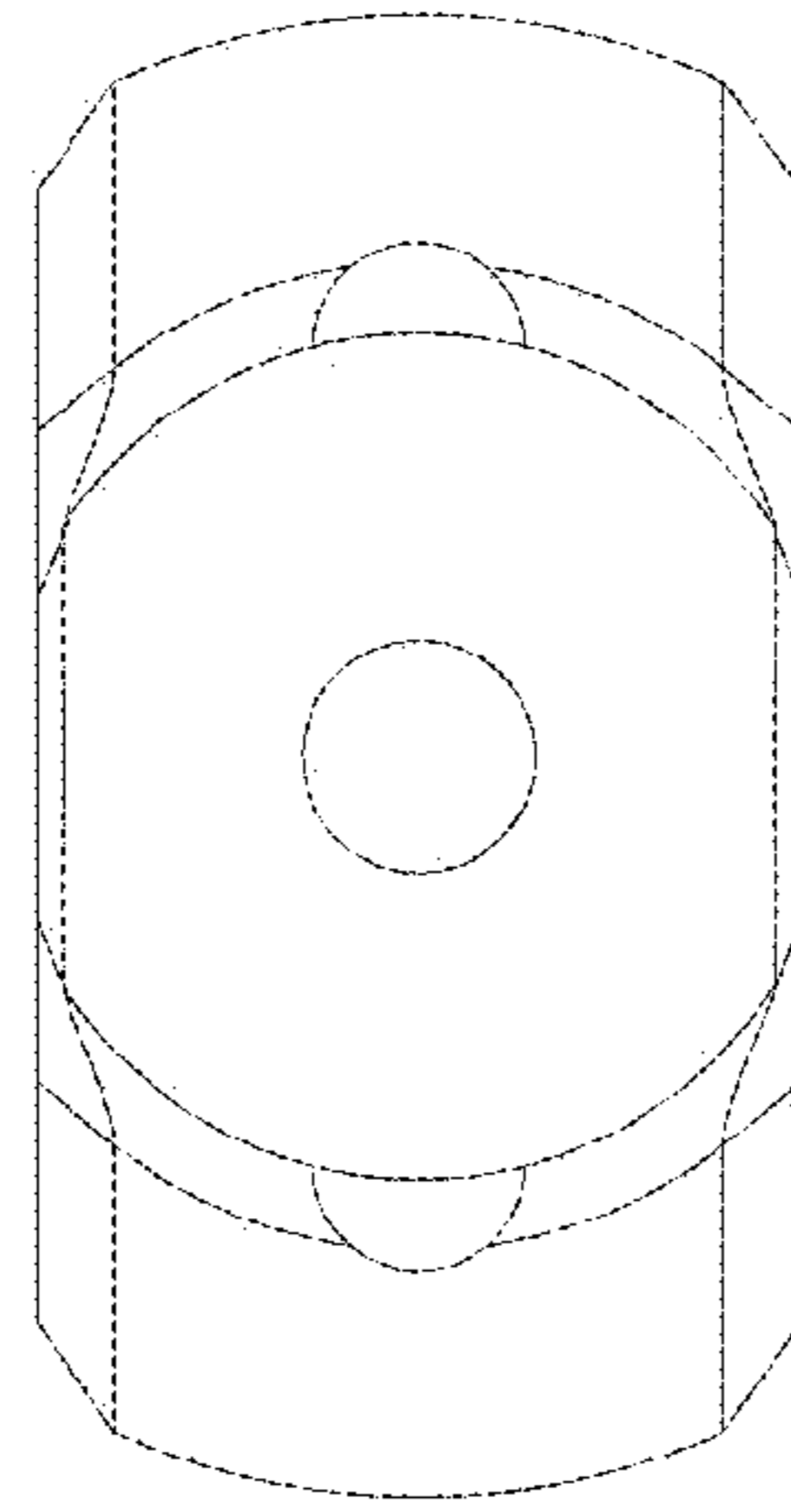


Figure 5

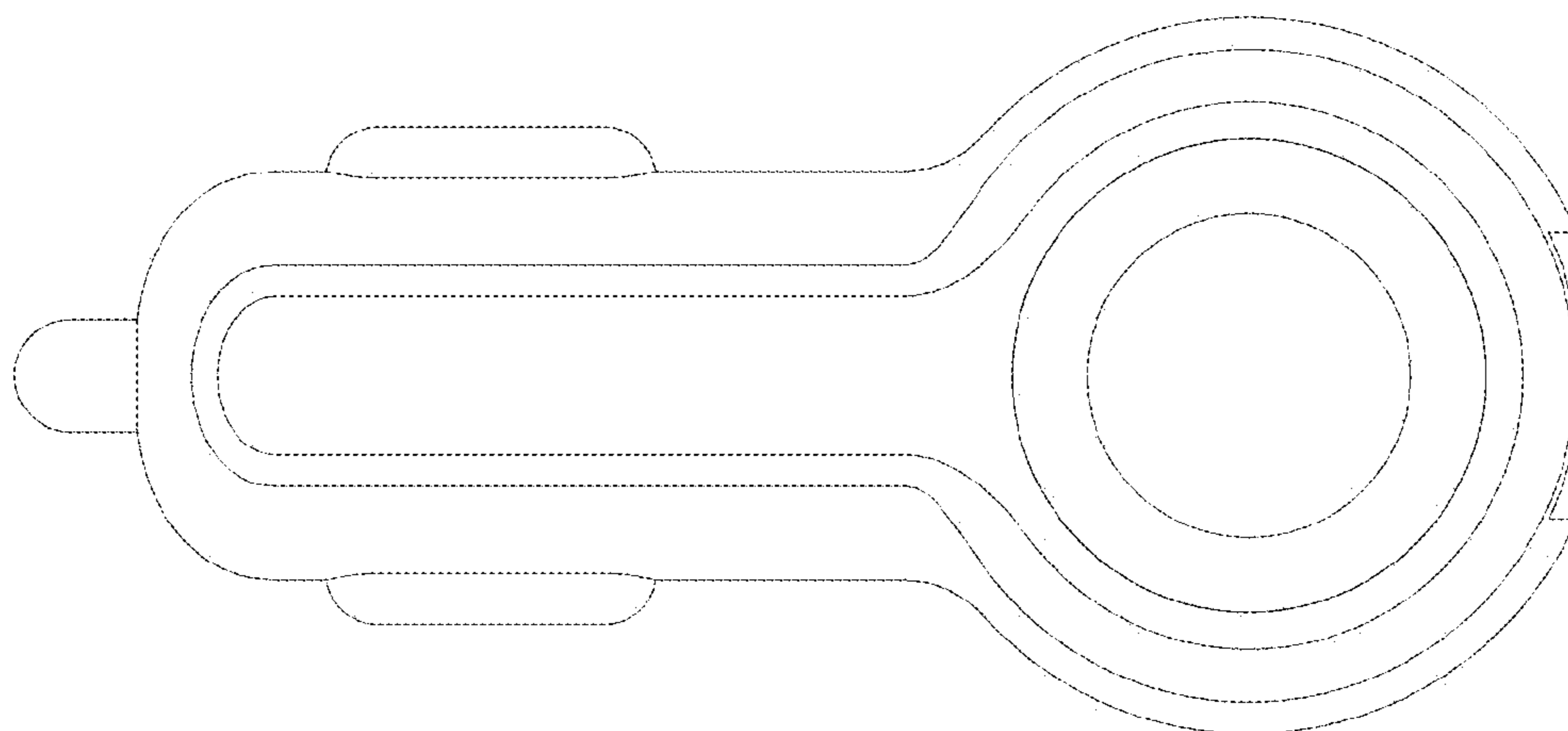


Figure 6

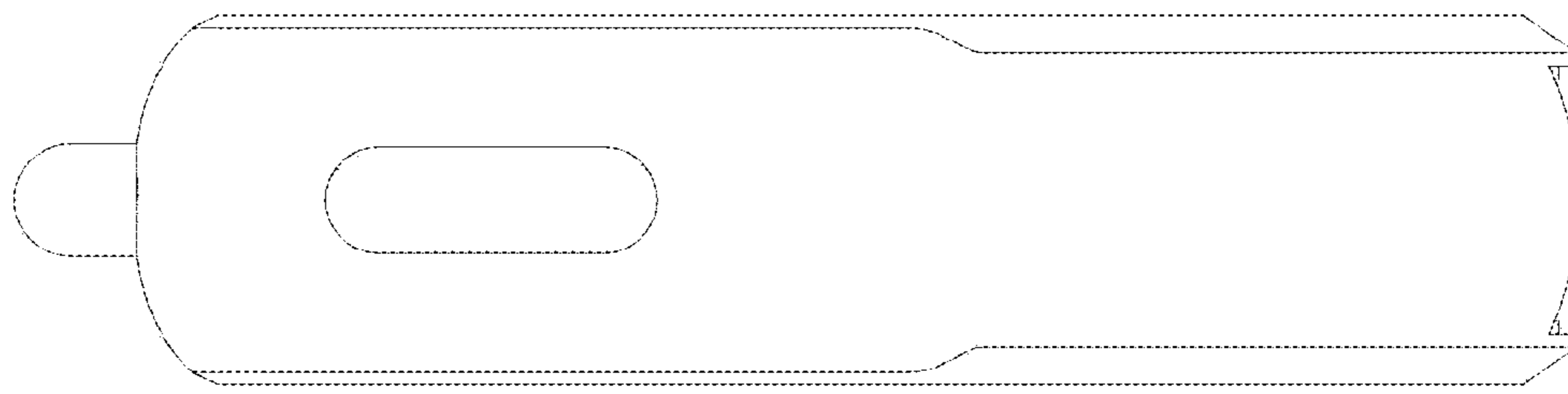


Figure 7

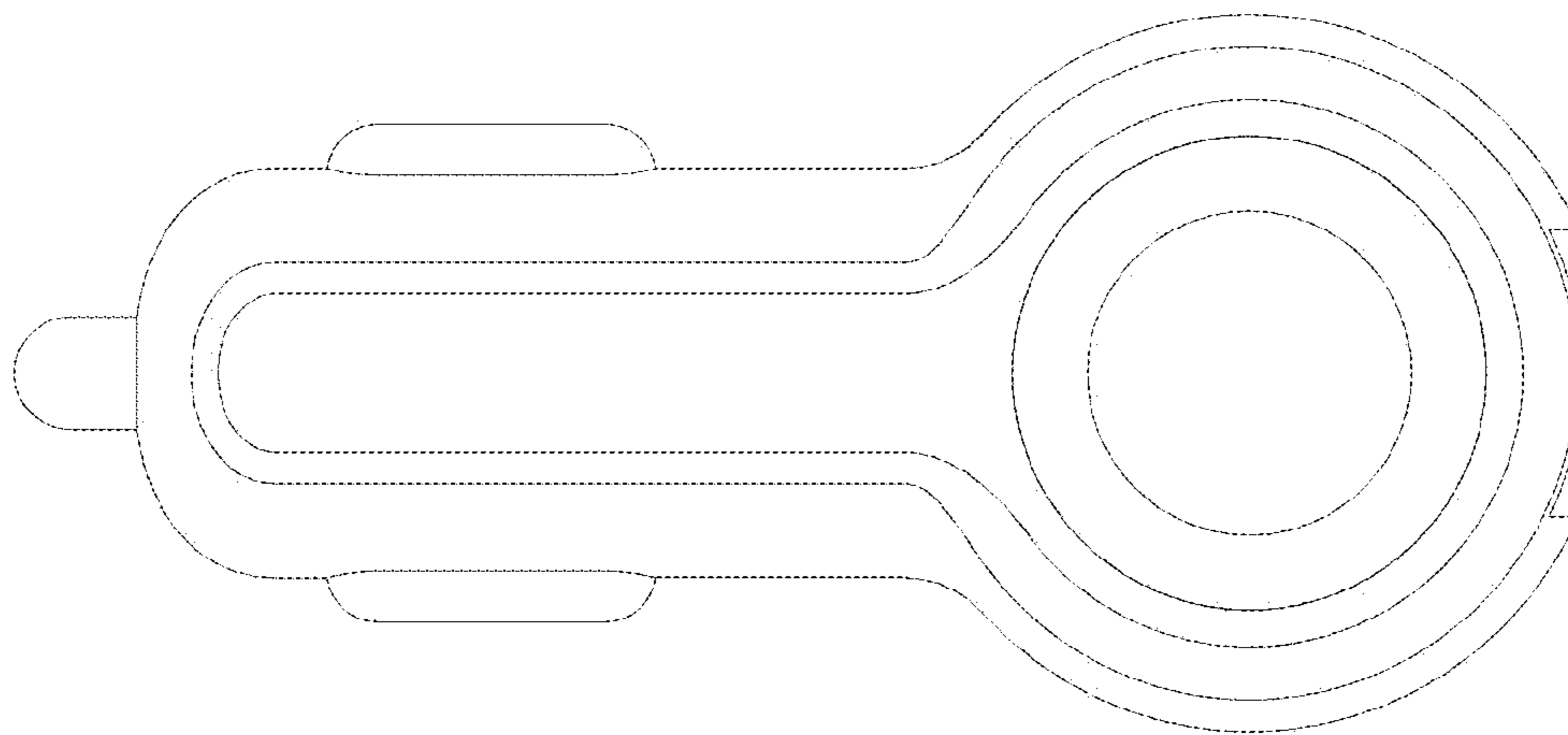


Figure 8

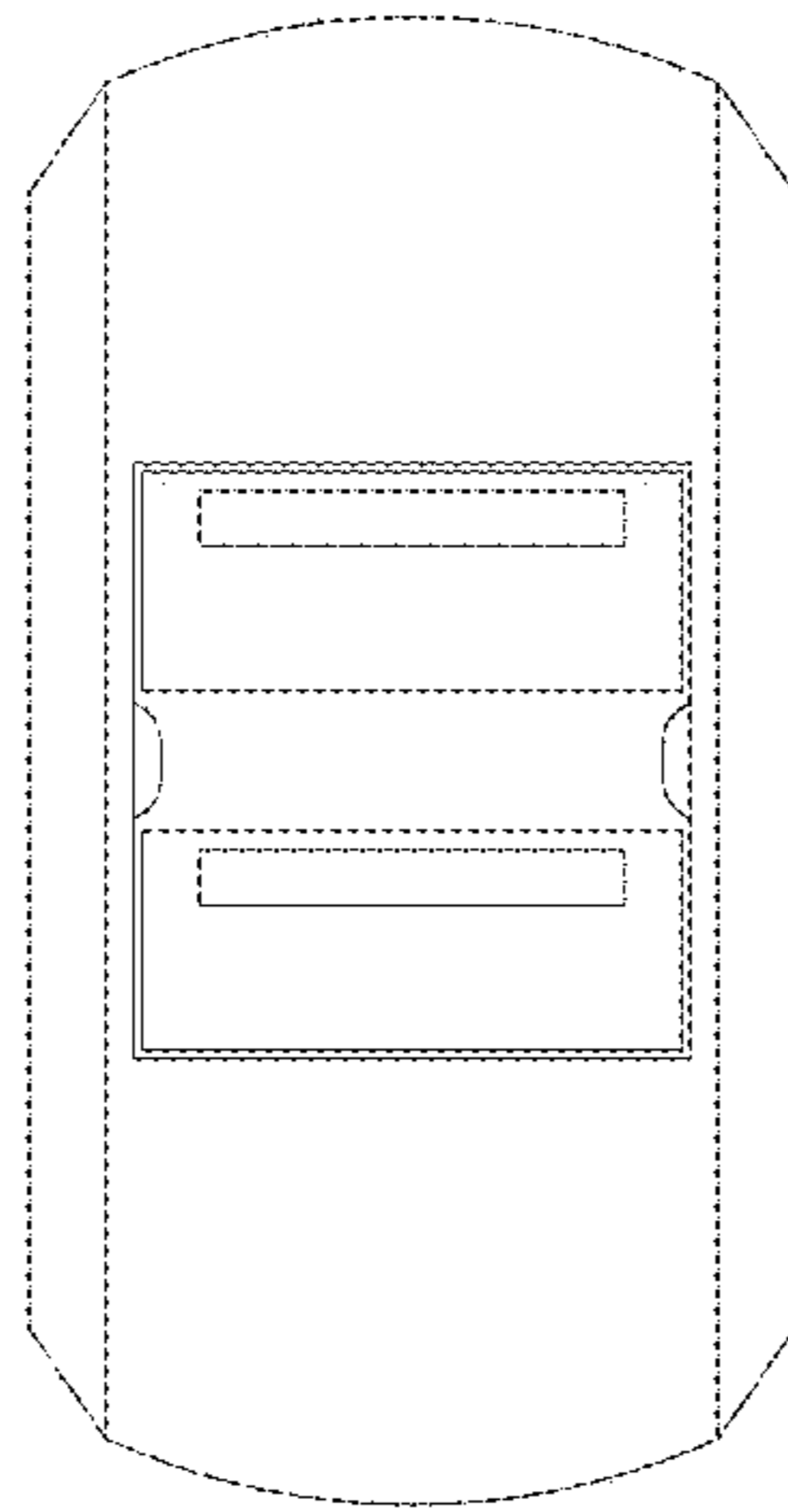


Figure 9

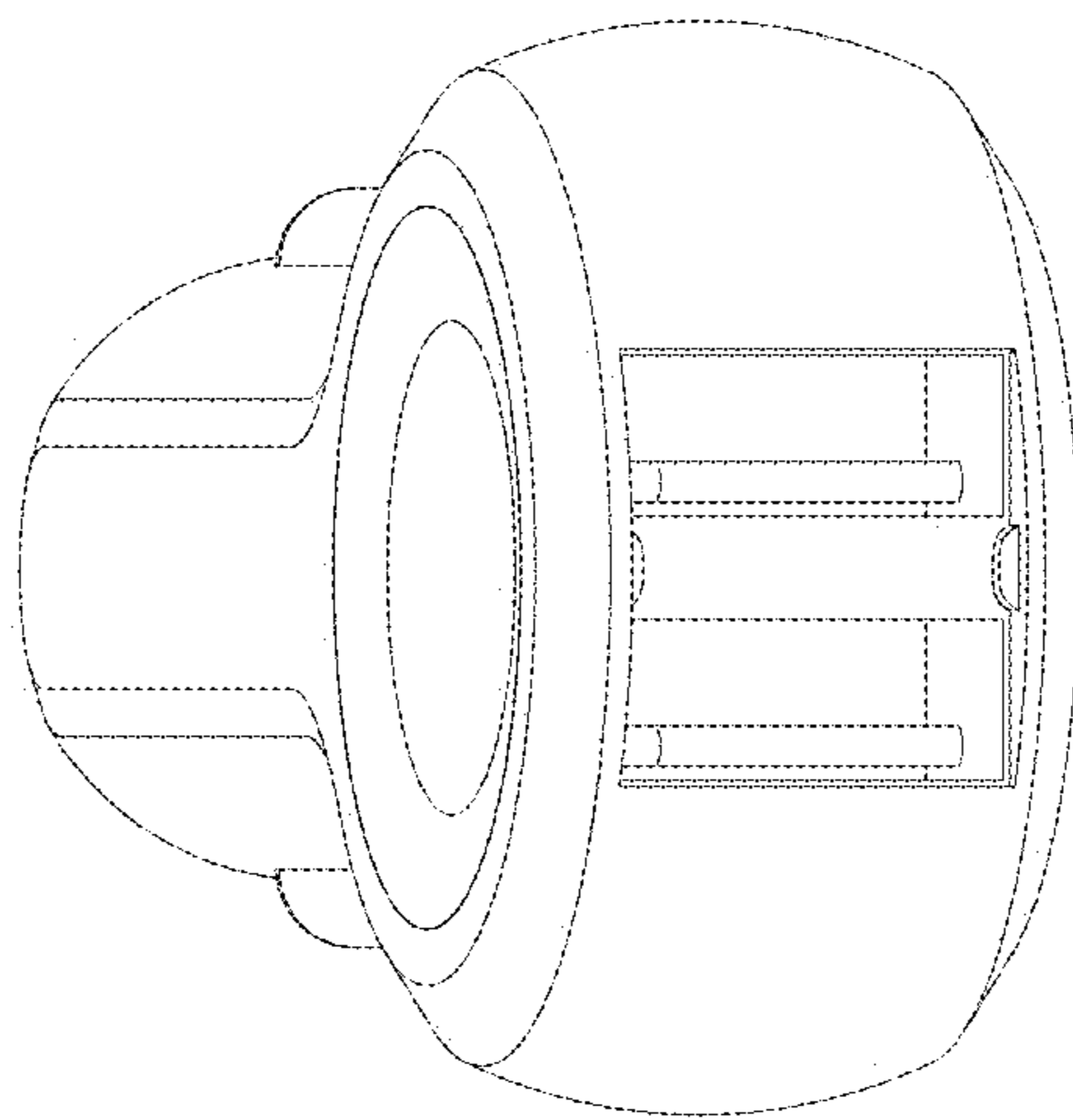


Figure 10

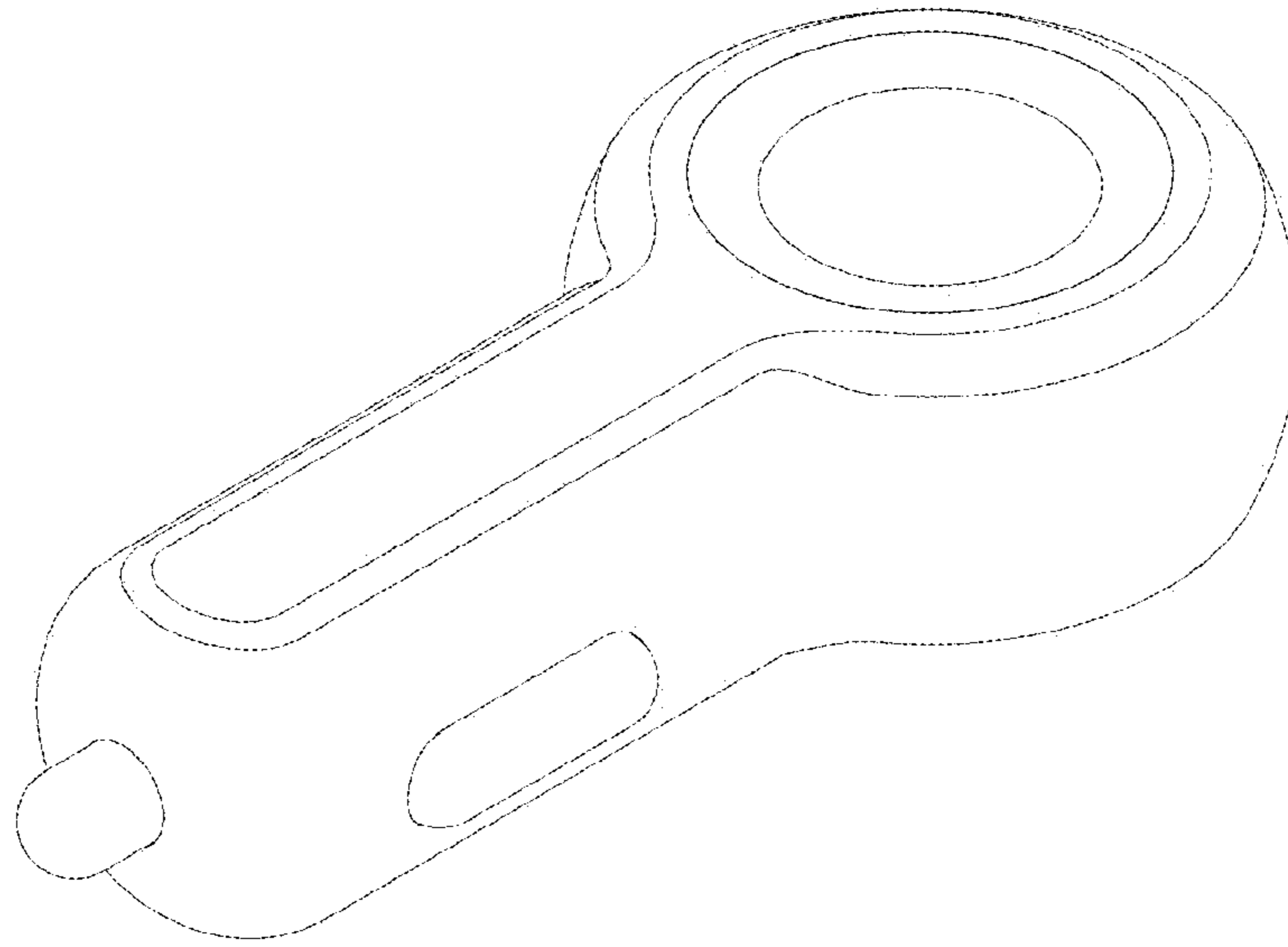


Figure 11

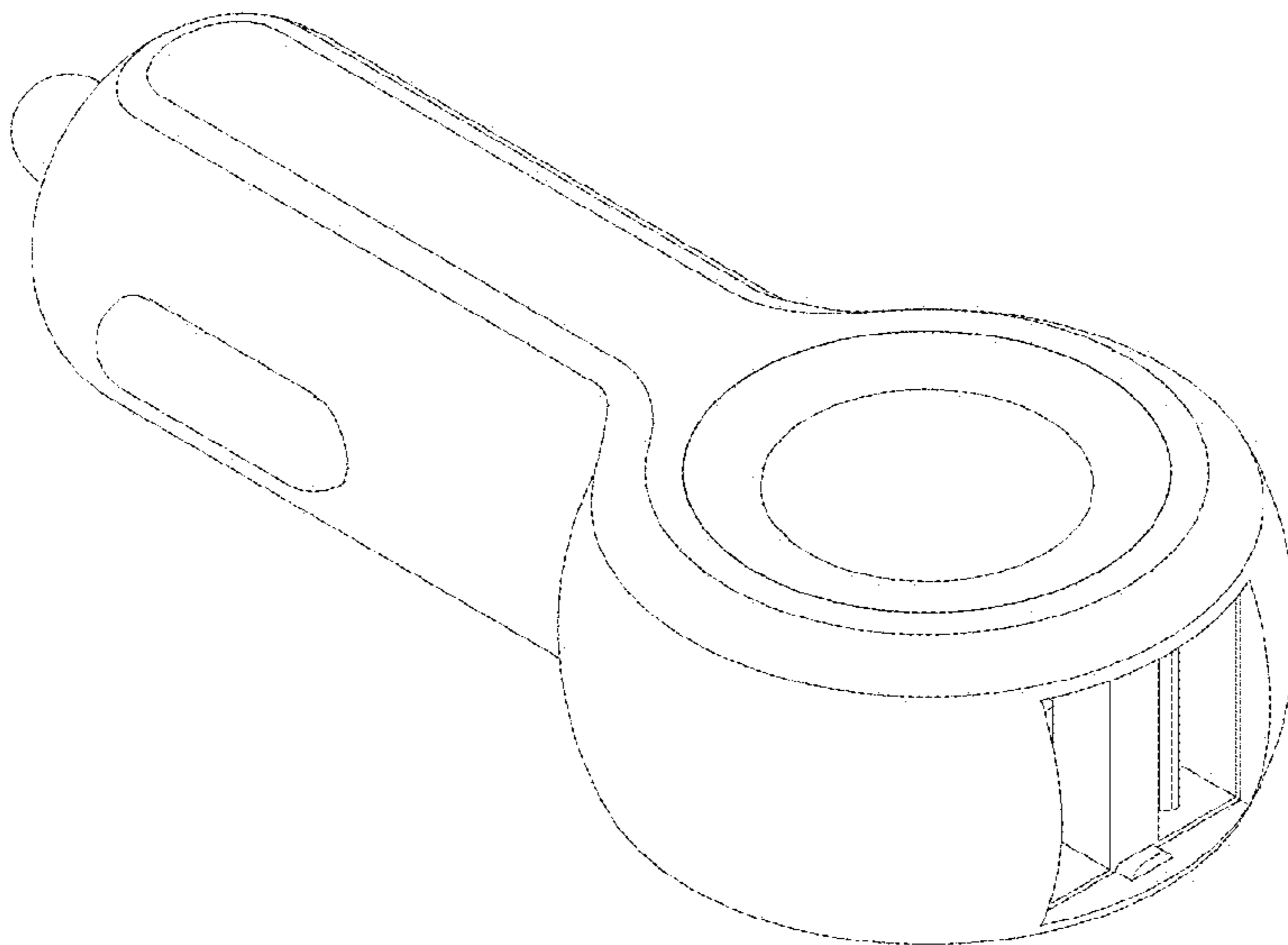


Figure 12