



US00D718241S

(12) **United States Design Patent**
Gretz

(10) **Patent No.:** **US D718,241 S**

(45) **Date of Patent:** **** Nov. 25, 2014**

(54) **WEATHERPROOF WHILE-IN-USE FREE
STANDING GARDEN POST RECEPTACLE**

6,779,764	B1 *	8/2004	Gretz	248/156
6,863,251	B1 *	3/2005	Gretz	248/156
6,915,992	B1 *	7/2005	Gretz	248/156
7,025,311	B1 *	4/2006	Gretz	248/156
7,234,670	B1 *	6/2007	Gretz et al.	248/156
7,246,929	B2 *	7/2007	Schuster	362/431

(71) Applicant: **Thomas J. Gretz**, Port St. Lucie, FL
(US)

(72) Inventor: **Thomas J. Gretz**, Port St. Lucie, FL
(US)

(73) Assignee: **Arlington Industries, Inc.**, Scranton, PA
(US)

(**) Term: **14 Years**

(21) Appl. No.: **29/441,750**

(22) Filed: **Jan. 9, 2013**

(51) **LOC (10) Cl.** **13-03**

(52) **U.S. Cl.**
USPC **D13/139.5**; D13/184; D25/126

(58) **Field of Classification Search**
USPC 73/73; D13/154, 139.5; D25/126, 133;
D26/51, 68, 142; 174/38, 45, 50, 480,
174/66, 59

See application file for complete search history.

(56) **References Cited**

U.S. PATENT DOCUMENTS

3,585,456	A *	6/1971	Phillips, Jr.	361/663
4,951,182	A *	8/1990	Simonson et al.	362/145
5,184,279	A *	2/1993	Horn	361/641
D430,942	S *	9/2000	Schuster	D25/126
6,585,221	B1 *	7/2003	Gretz	248/545
6,742,748	B1 *	6/2004	Gretz	248/156
6,752,362	B1 *	6/2004	Gretz	248/156

OTHER PUBLICATIONS

Arlington GPD19G Gard-N-Post Outdoor Landscape Lighting Garden Post with Outlet Cover, 19-Inch, Green , listed as first available for sale on Jun. 10, 2010, {online} <<http://www.amazon.com/Arlington-GPD19G-Gard-N-Post-Landscape-Lighting/dp/B003O85DF2>>.*

* cited by examiner

Primary Examiner — Deanna L Pratt

Assistant Examiner — Harold Blackwell, II

(57) **CLAIM**

The ornamental design for a weatherproof while-in-use free standing garden post receptacle, as shown and described.

DESCRIPTION

FIG. 1 is a front elevational view of a weatherproof while-in-use free standing garden post receptacle showing my new design;

FIG. 2 is a rear elevational view thereof;

FIG. 3 is a left side elevational view thereof;

FIG. 4 is a right side elevational view thereof;

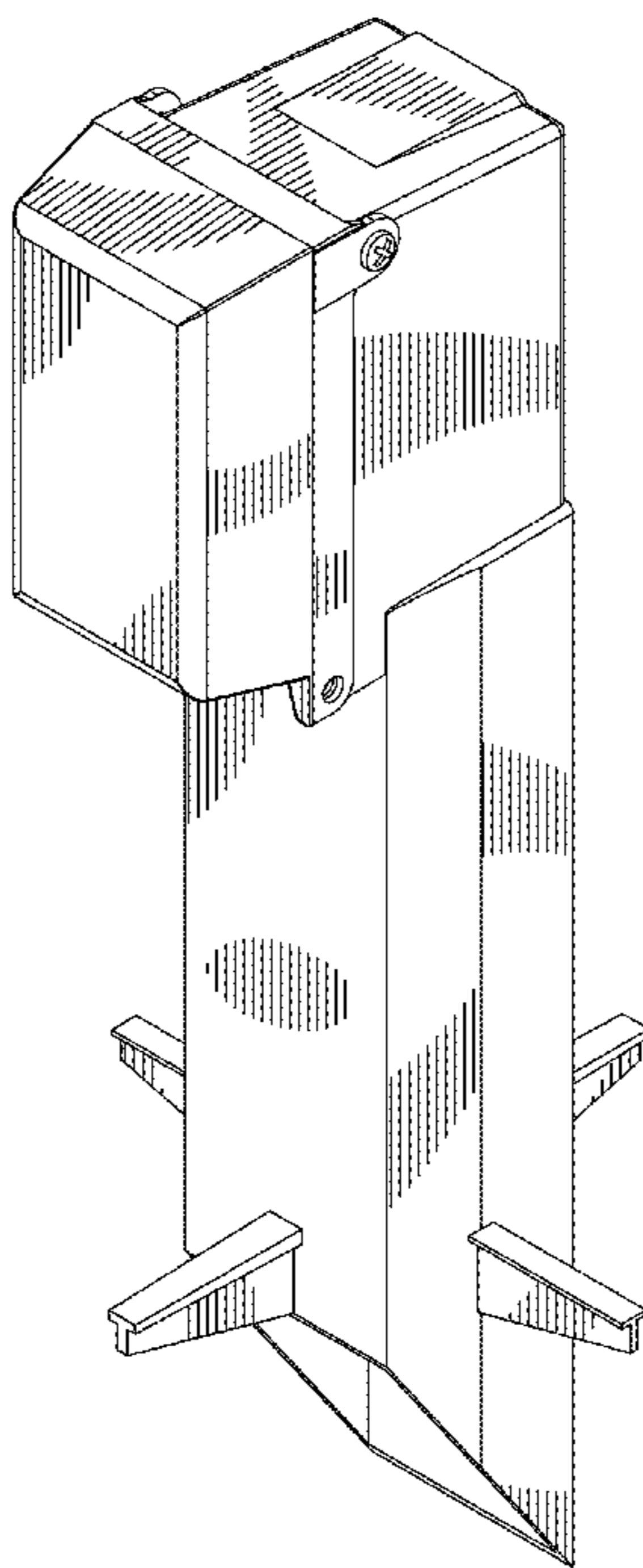
FIG. 5 is a top view thereof;

FIG. 6 is a bottom view thereof; and

FIG. 7 is a left perspective view thereof; and,

FIG. 8 is a right perspective view thereof.

1 Claim, 4 Drawing Sheets



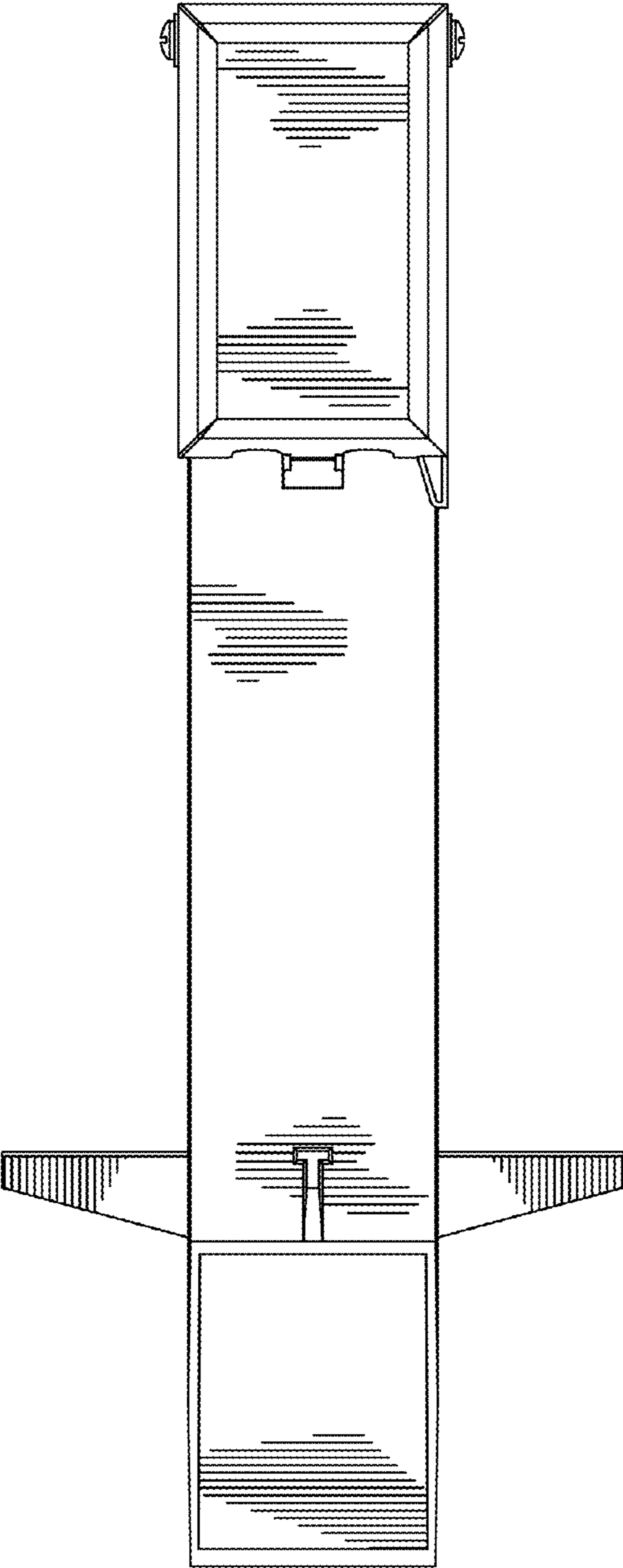


Fig. 1

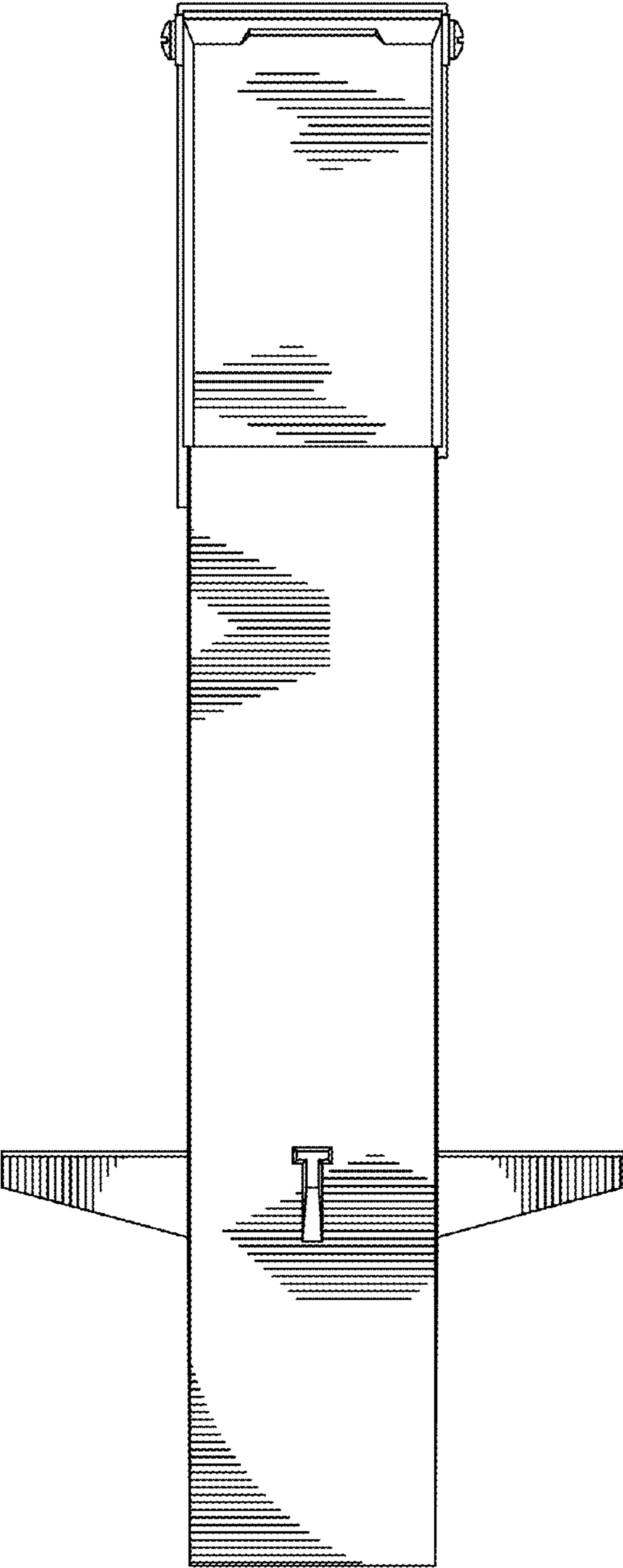


Fig. 2

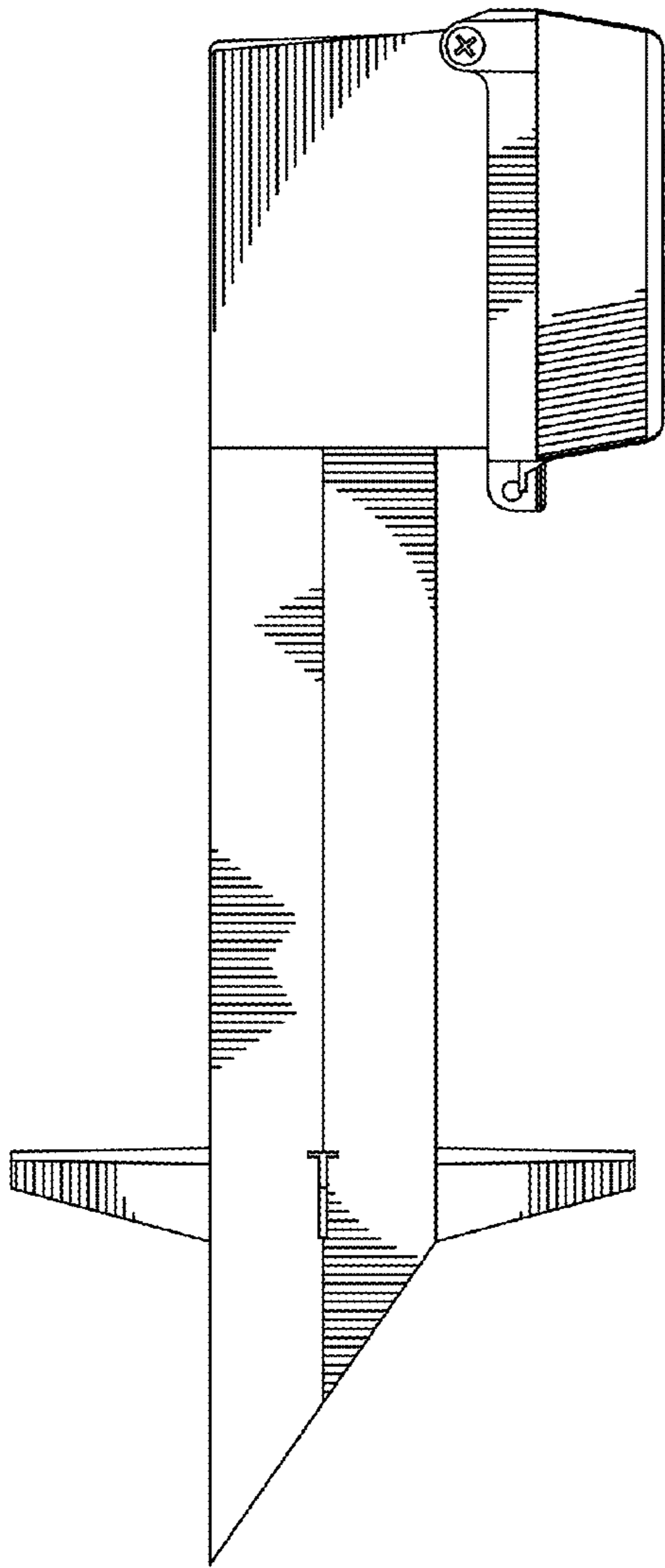


Fig. 3

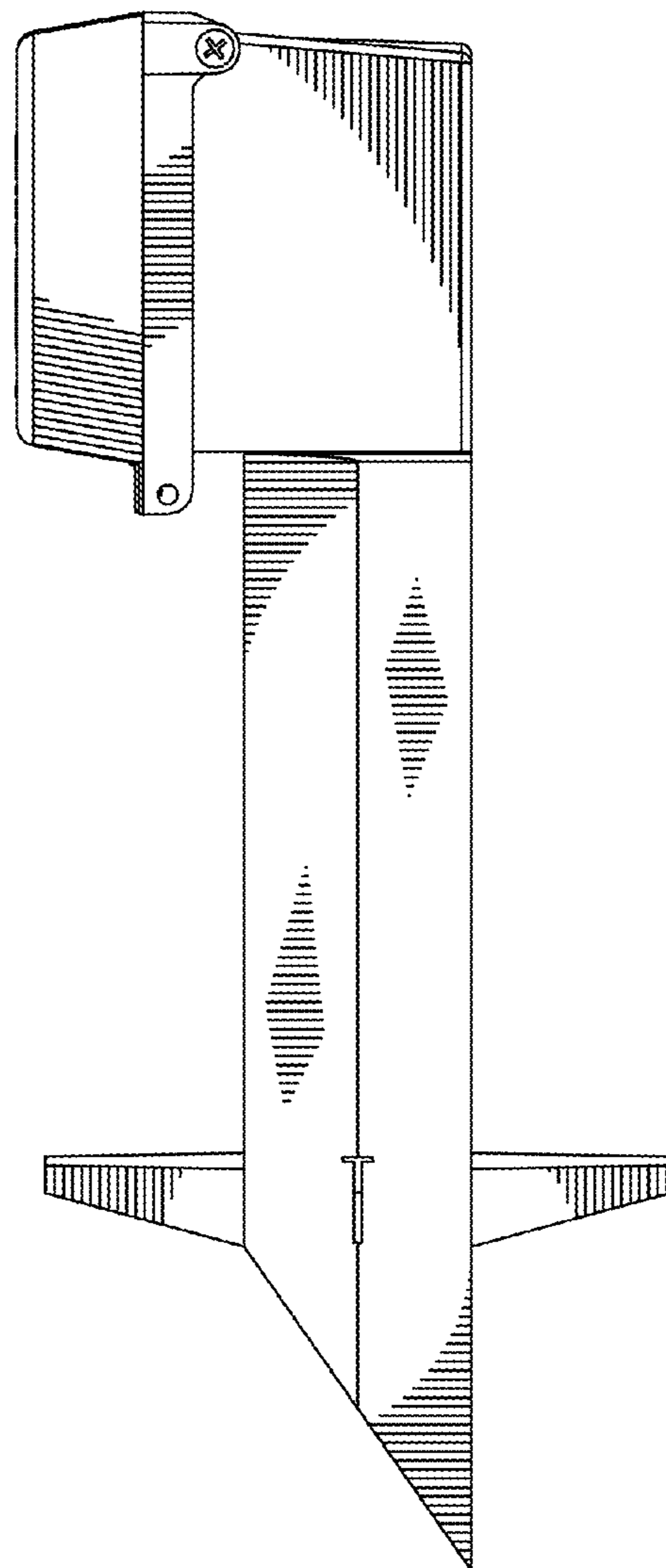


Fig. 4

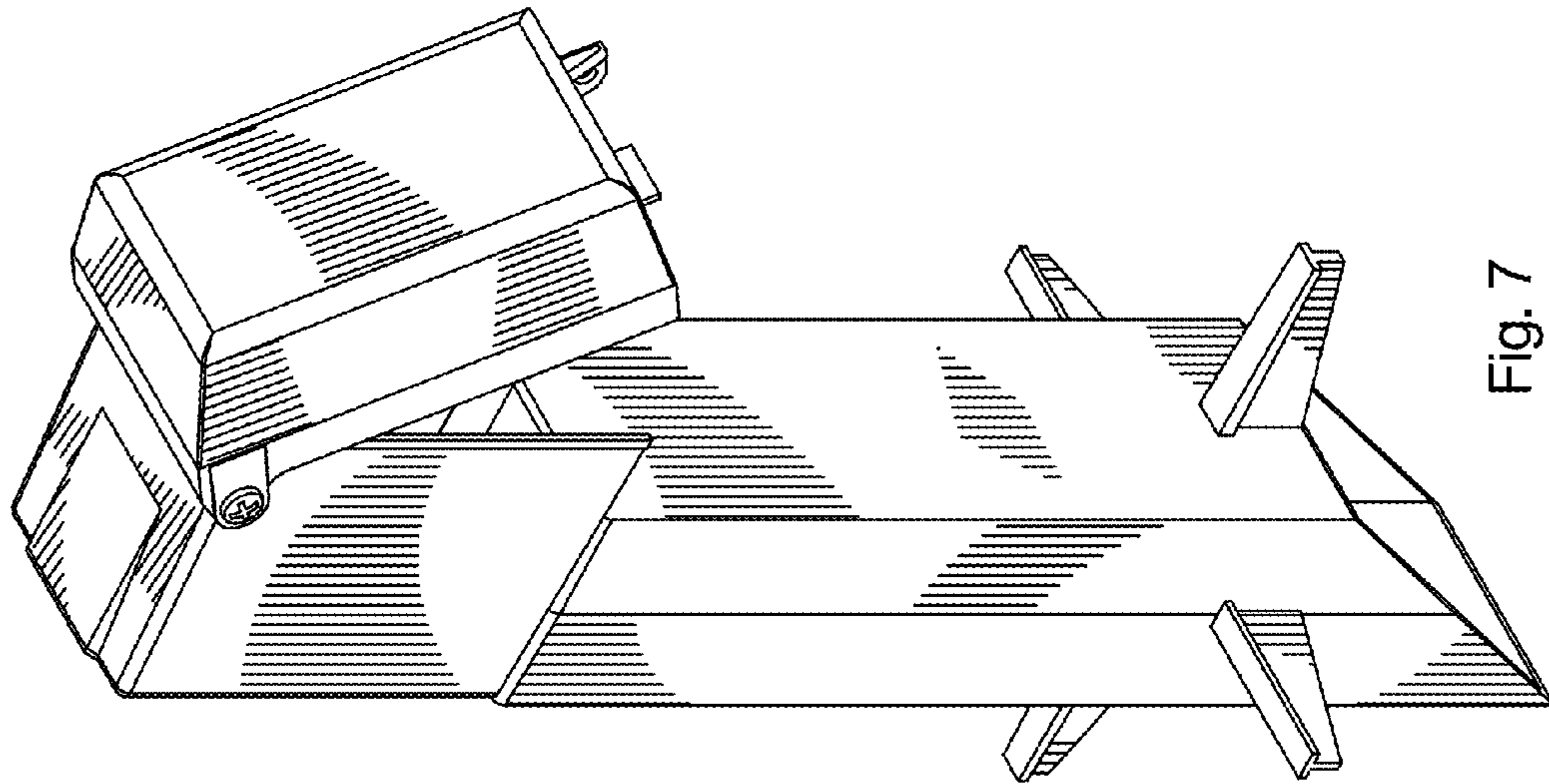


Fig. 7

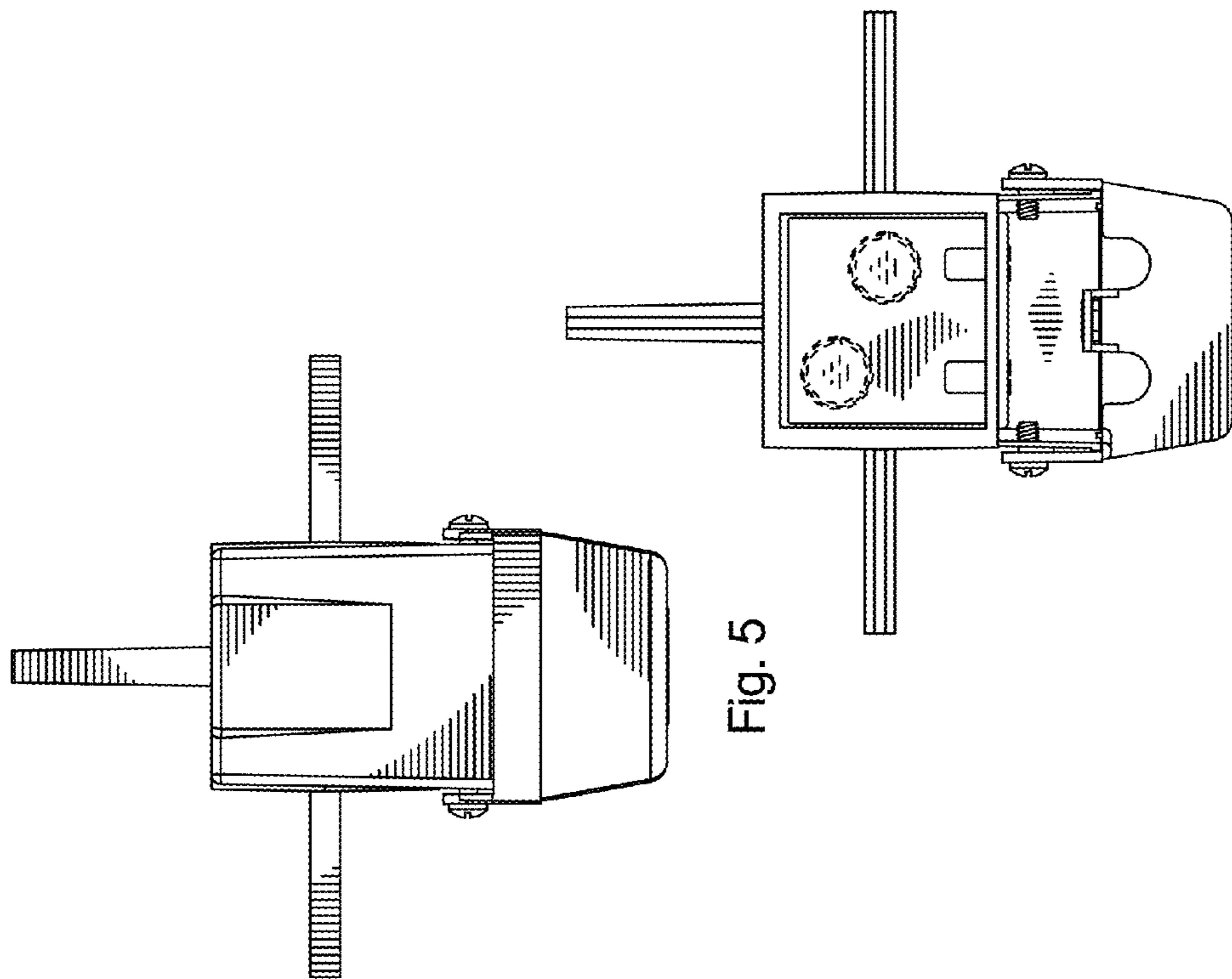


Fig. 5

Fig. 6

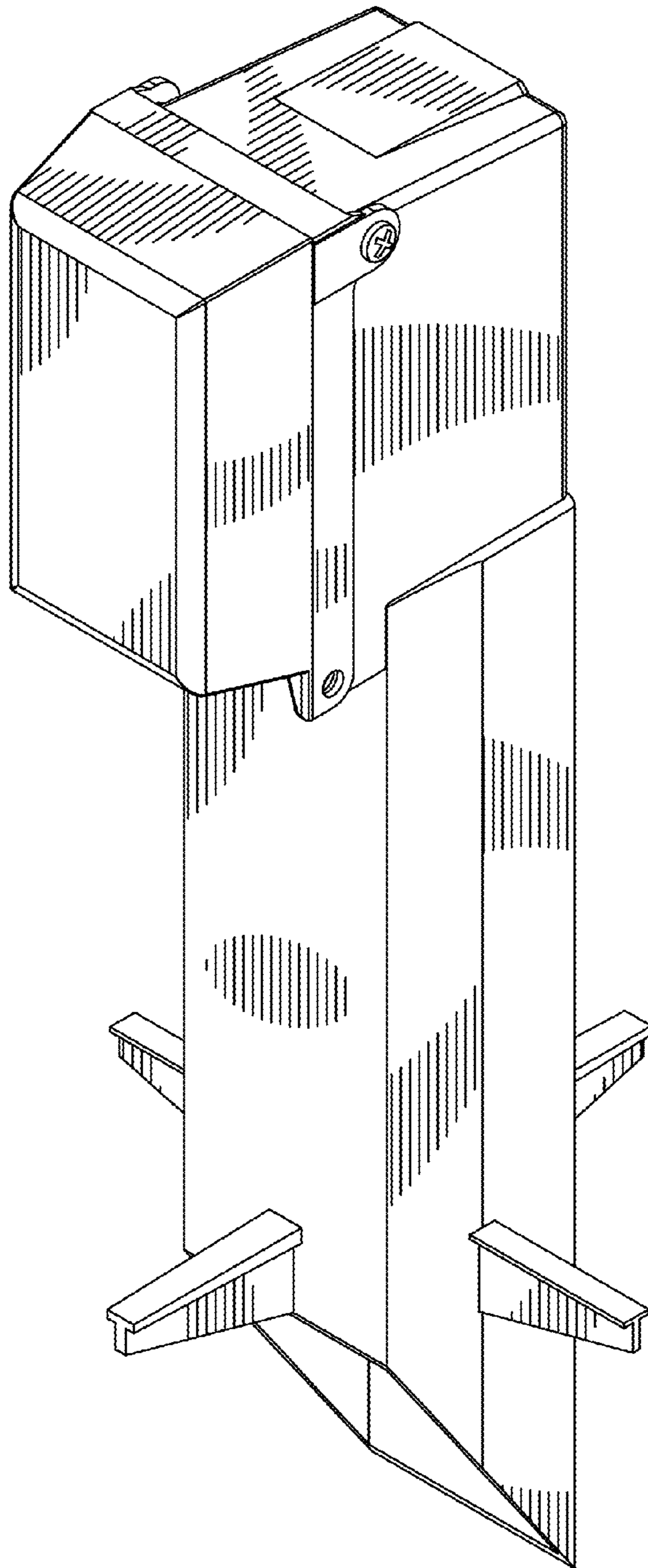


Fig. 8