



US00D718239S

(12) **United States Design Patent**
Zhou

(10) **Patent No.:** **US D718,239 S**

(45) **Date of Patent:** **** Nov. 25, 2014**

(54) **MOTOR SPACER**

(71) Applicant: **Danfoss (Tianjin) Ltd.**, Tianjin (CN)

(72) Inventor: **Xueyou Zhou**, Tianjin (CN)

(73) Assignee: **Danfoss (Tianjin) Ltd.**, Tianjin (CN)

(**) Term: **14 Years**

(21) Appl. No.: **29/455,428**

(22) Filed: **May 21, 2013**

(30) **Foreign Application Priority Data**

Dec. 3, 2012 (CN) 2012 3 0595102

(51) **LOC (10) Cl.** **13-01**

(52) **U.S. Cl.**

USPC **D13/122**

(58) **Field of Classification Search**

USPC D13/122, 112, 113, 114, 118, 184, 199;
D15/1, 5; 29/564.2, 596; 310/42, 68 R,
310/71, 85, 86, 186, 194, 216, 254, 258,
310/260, 267, 268; 336/192, 198, 200, 208

See application file for complete search history.

(56) **References Cited**

U.S. PATENT DOCUMENTS

5,331,245	A *	7/1994	Burgbacher et al.	310/186
5,861,699	A *	1/1999	Kopac	310/216.066
D443,585	S *	6/2001	Shida et al.	D13/122
D587,197	S *	2/2009	Yoshikawa et al.	D13/122
7,663,274	B2 *	2/2010	Kataoka et al.	310/68 R
D647,478	S *	10/2011	Jiang et al.	D13/122

* cited by examiner

Primary Examiner — Derrick Holland

(74) *Attorney, Agent, or Firm* — Carlson, Gaskey & Olds, PC

(57) **CLAIM**

The ornamental design for a motor spacer, as shown and described.

DESCRIPTION

FIG. 1 is a front view of a motor spacer showing our new design;

FIG. 2 is a back view thereof;

FIG. 3 is a side view thereof;

FIG. 4 is a side view thereof;

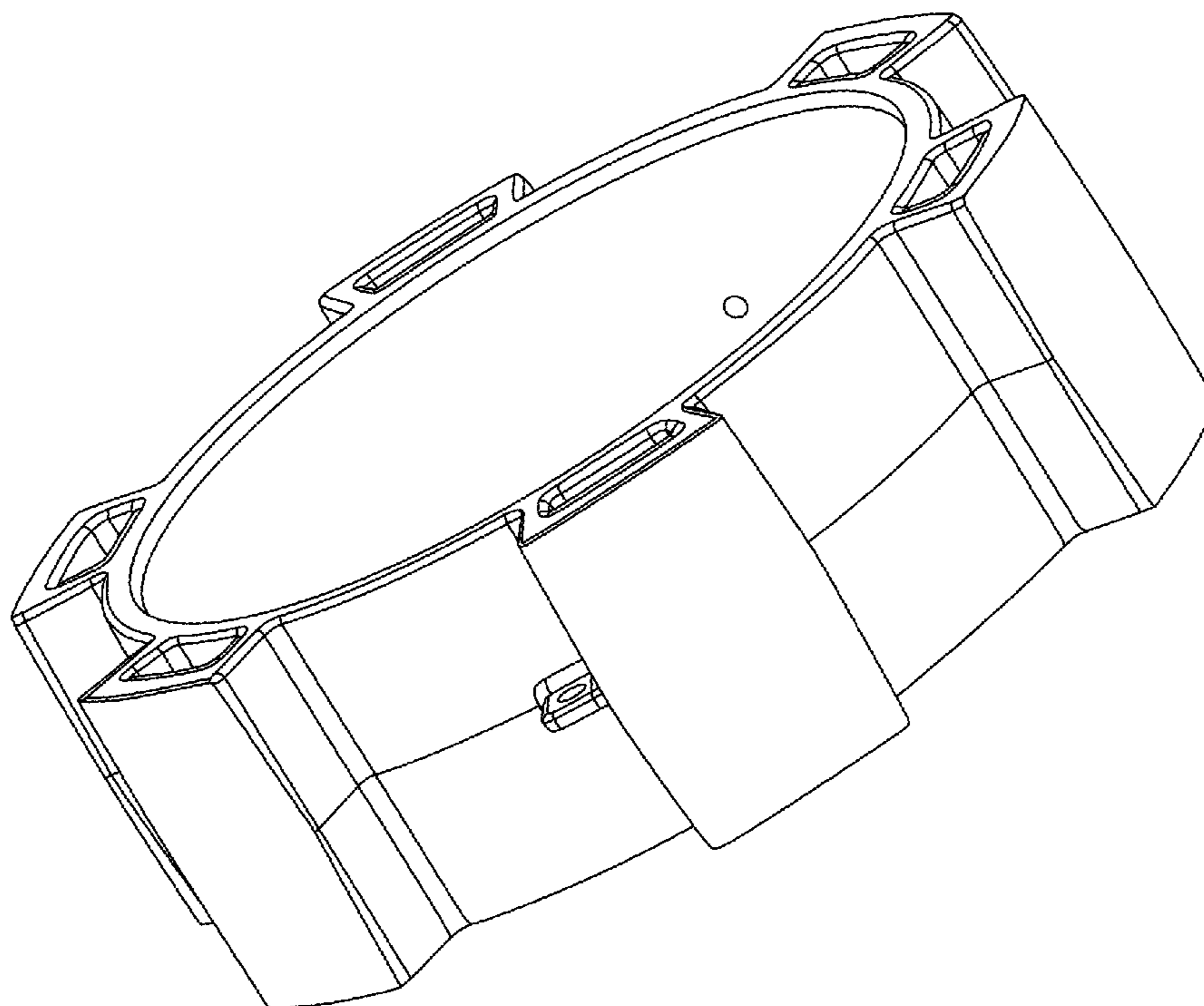
FIG. 5 is a top view thereof;

FIG. 6 is a bottom view thereof; and,

FIG. 7 is a perspective view thereof.

The broken lines shown represent unclaimed subject matter and form no part of the claimed design.

1 Claim, 5 Drawing Sheets



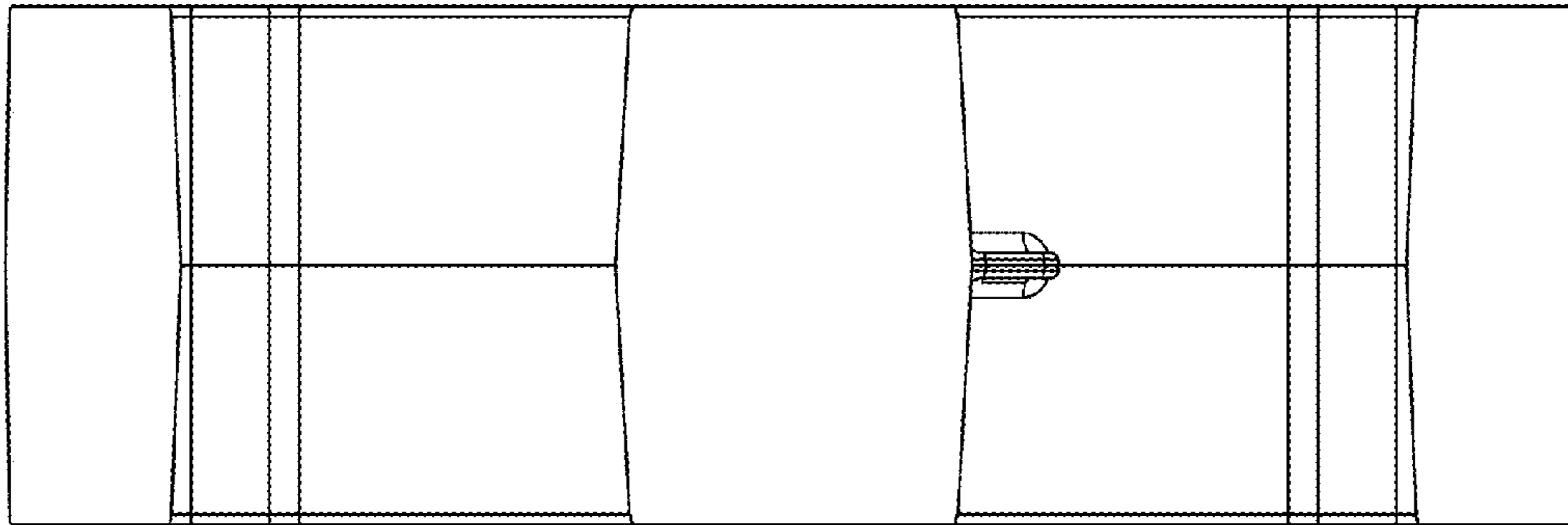


FIG. 1

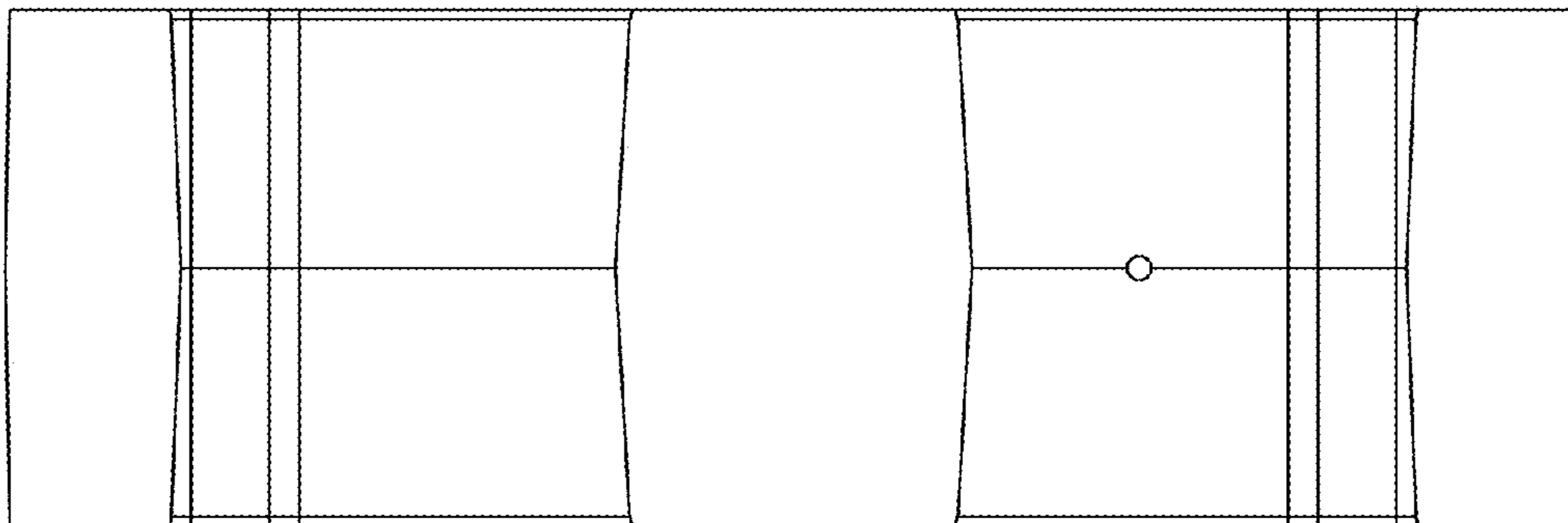


FIG. 2

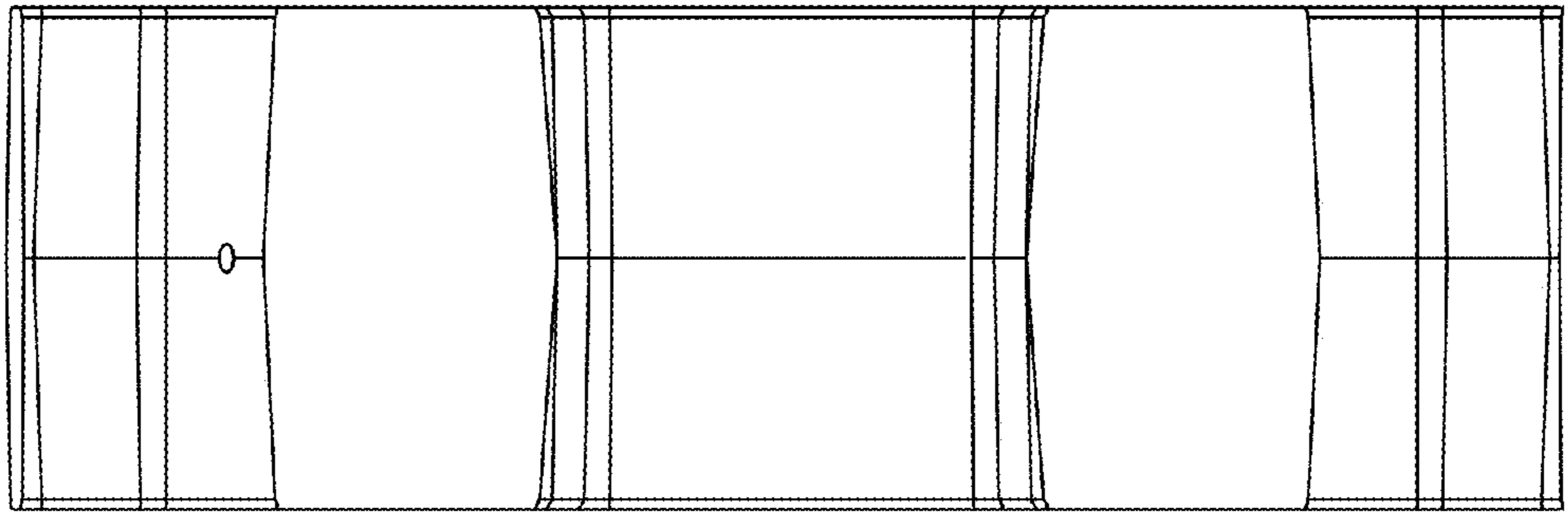


FIG.3

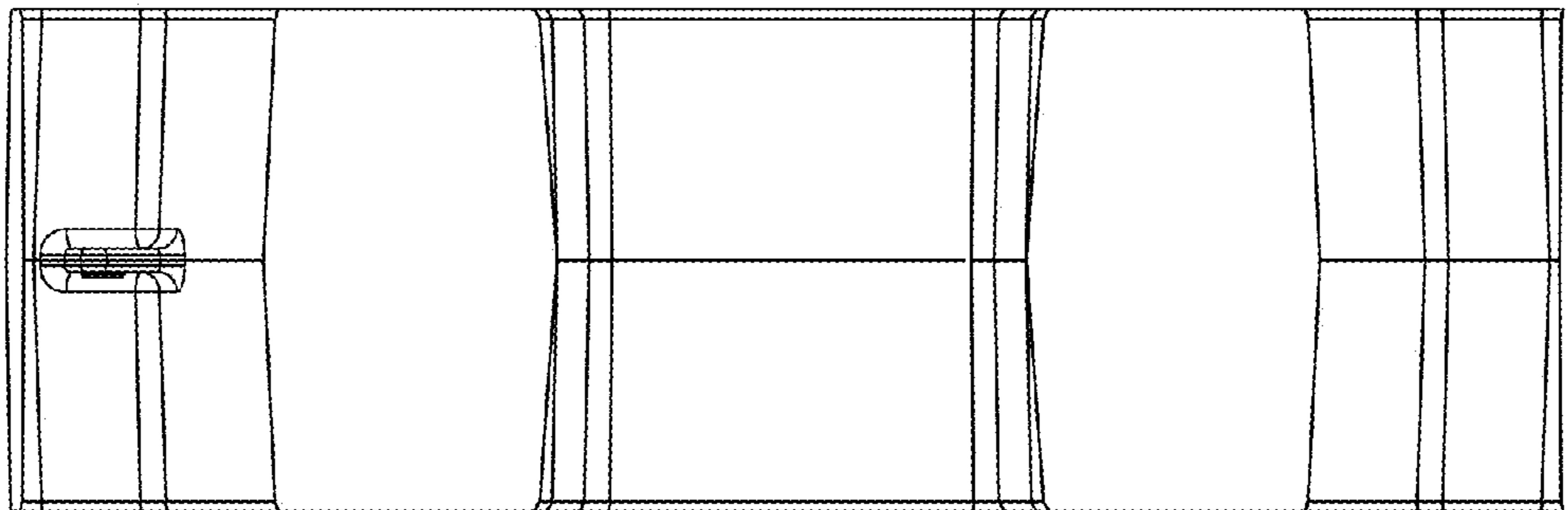


FIG.4

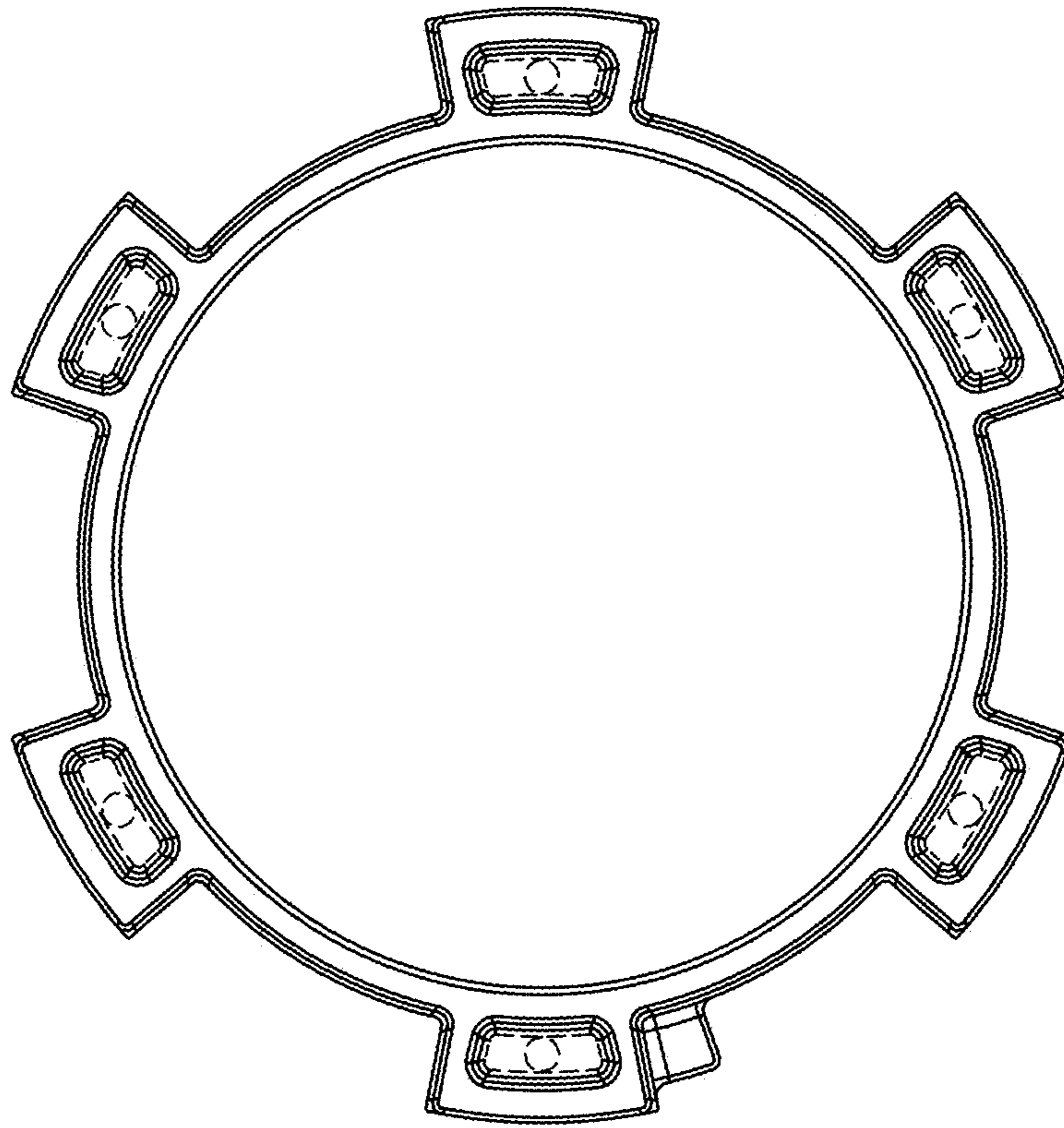


FIG.5

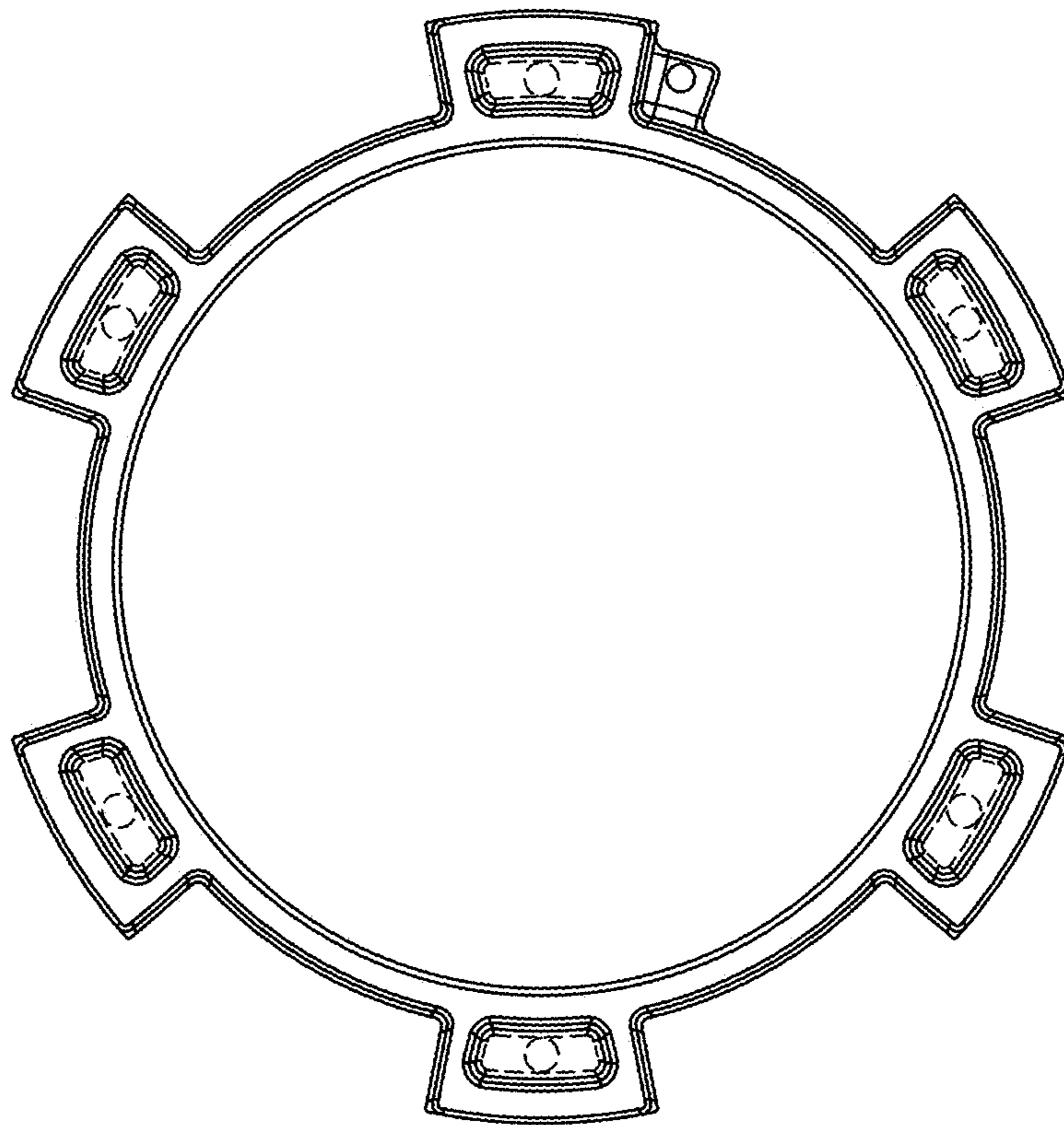


FIG. 6

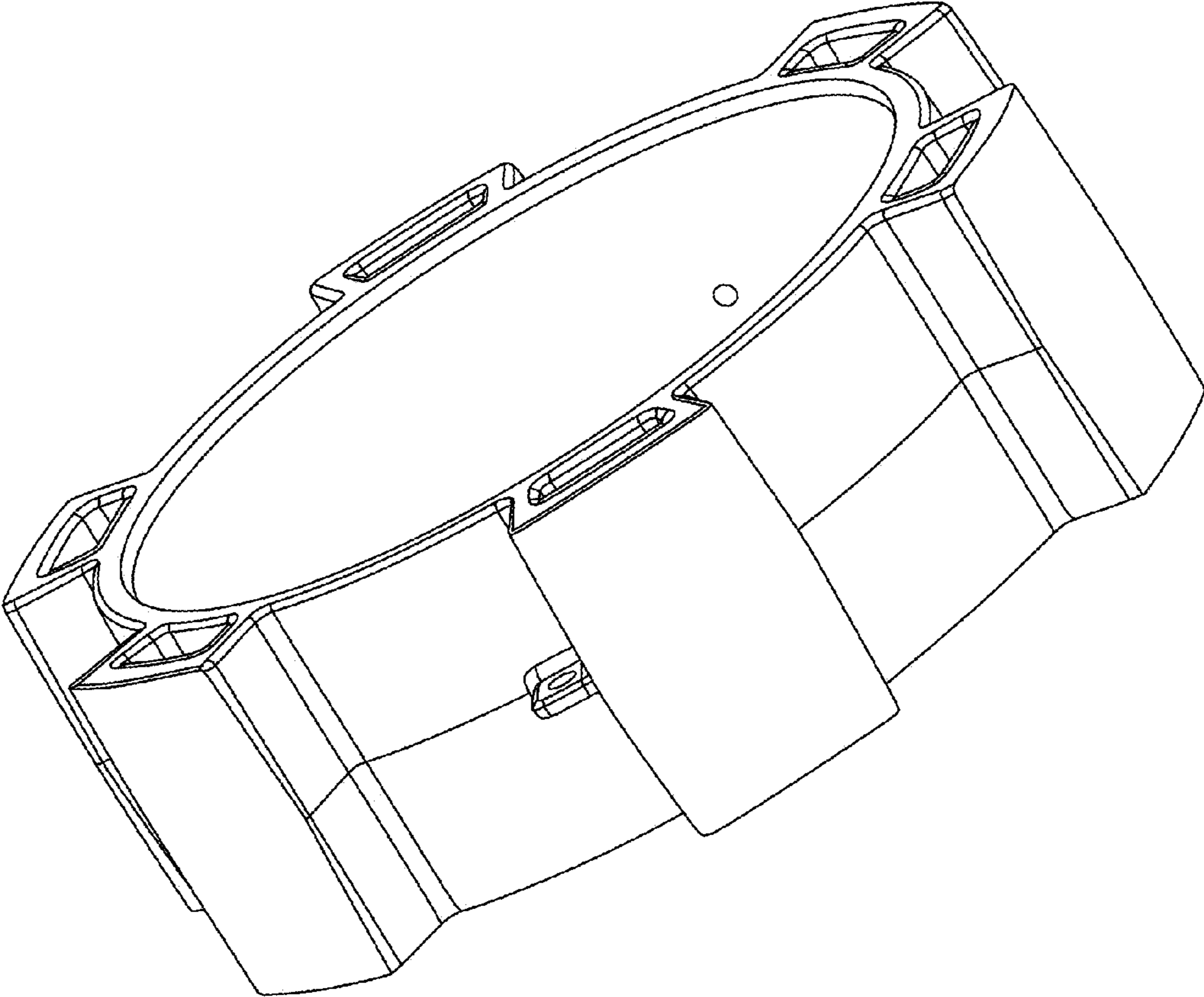


FIG.7

UNITED STATES PATENT AND TRADEMARK OFFICE
CERTIFICATE OF CORRECTION

PATENT NO. : D718,239 S
APPLICATION NO. : 29/455428
DATED : November 25, 2014
INVENTOR(S) : Zhou

Page 1 of 1

It is certified that error appears in the above-identified patent and that said Letters Patent is hereby corrected as shown below:

ON THE TITLE PAGE:

Item (57) should read:

--(57)

We claim:

The ornamental design for a motor spacer, as shown and described.--

Signed and Sealed this
Second Day of June, 2015



Michelle K. Lee
Director of the United States Patent and Trademark Office