



US00D718238S

(12) **United States Design Patent**
Culbertson et al.

(10) **Patent No.:** **US D718,238 S**

(45) **Date of Patent:** **** Nov. 25, 2014**

(54) **REACTOR VESSEL RADIATION SHIELDING**

(56) **References Cited**

(71) Applicant: **American Ceramic Technology**, Poway, CA (US)

U.S. PATENT DOCUMENTS

(72) Inventors: **Robert Scott Culbertson**, San Diego, CA (US); **Mark Paul Milewski**, Schaumburg, IL (US); **Patrick Tony Pangacian**, San Diego, CA (US)

D200,774 S *	4/1965	Livingston	D13/127
D352,274 S *	11/1994	Daleo	D13/153
D482,499 S *	11/2003	Garrido et al.	D29/100
D691,085 S *	10/2013	Shargots et al.	D13/101
2003/0053581 A1 *	3/2003	Gotoh et al.	376/327

* cited by examiner

(73) Assignee: **American Ceramic Technology**, Poway, CA (US)

Primary Examiner — Derrick Holland

(**) Term: **14 Years**

(74) *Attorney, Agent, or Firm* — Mastermind IP Law P.C.; Diane L. Gardner

(21) Appl. No.: **29/491,798**

(57) **CLAIM**

The ornamental design for a reactor vessel radiation shielding, substantially as shown and described.

(22) Filed: **May 23, 2014**

DESCRIPTION

Related U.S. Application Data

(63) Continuation of application No. 29/438,312, filed on Nov. 28, 2012.

(51) **LOC (10) Cl.** **13-02**

(52) **U.S. Cl.**
USPC **D13/118**

(58) **Field of Classification Search**
CPC G21C 1/04; G21C 7/00; G21C 7/12; G21C 15/00; H02K 3/00; H01F 5/02; H01F 41/06; F04D 13/06
USPC D13/118, 101, 127, 153, 184, 199; 376/220, 228, 327, 347, 384, 389; 378/203, 208, 210; 422/129, 139, 140, 422/141, 145

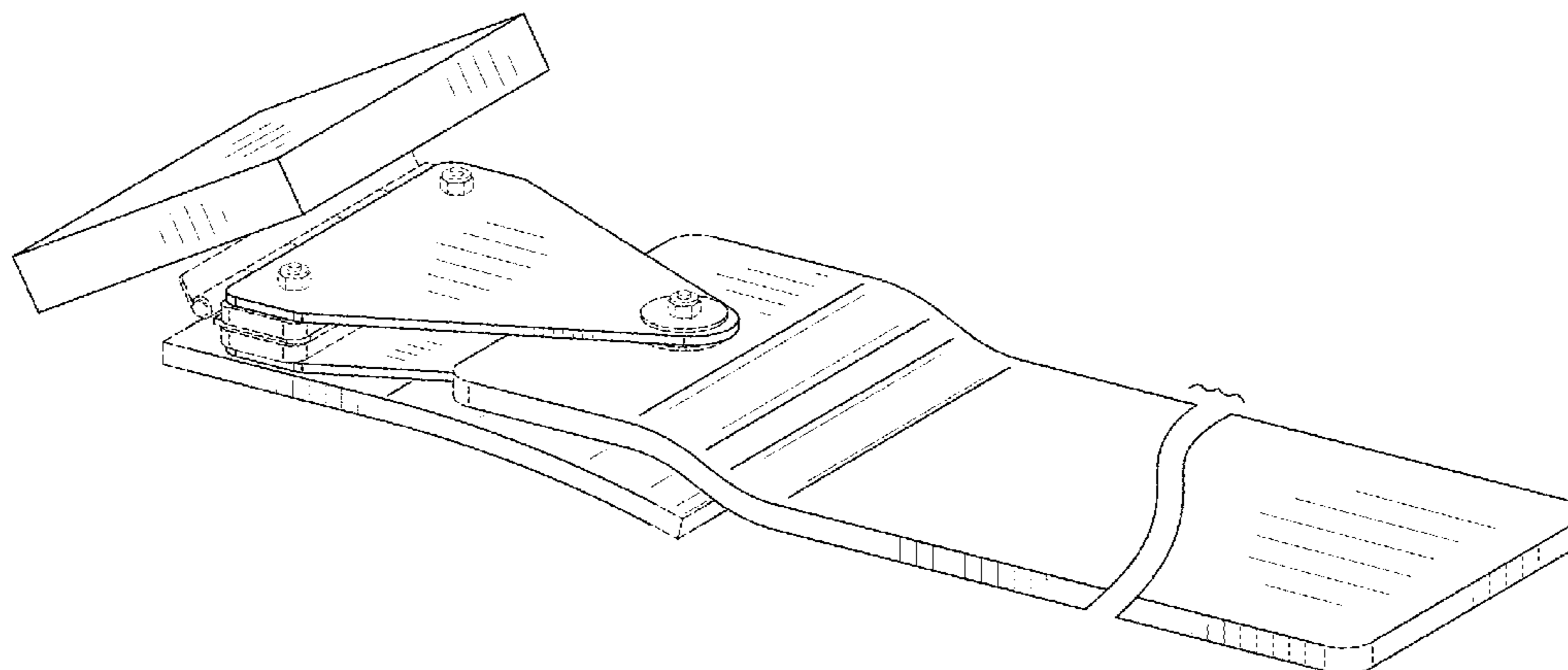
FIG. 1 is a front perspective view of a reactor vessel radiation shielding showing the new design; FIG. 2 is a back perspective view thereof; FIG. 3 is a front view thereof; FIG. 4 is a back view thereof; FIG. 5 is a left side view thereof; FIG. 6 is a right side view thereof; FIG. 7 is a top view thereof; and, FIG. 8 is a bottom view thereof.

The particular length and dimensions of the shielding depicted in the figures form no part of the claimed design, as no particular length and/or dimension is claimed.

The broken lines shown represent unclaimed subject matter and form no part of the claimed design.

See application file for complete search history.

1 Claim, 3 Drawing Sheets



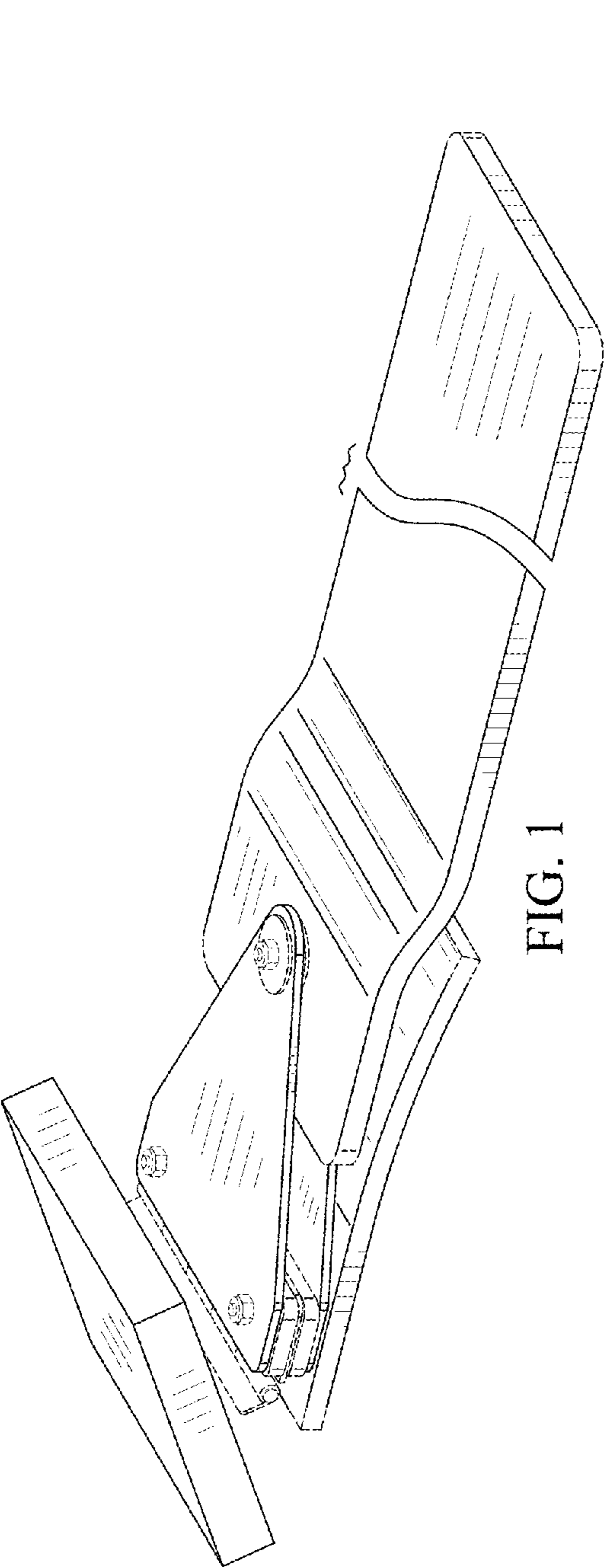


FIG. 1

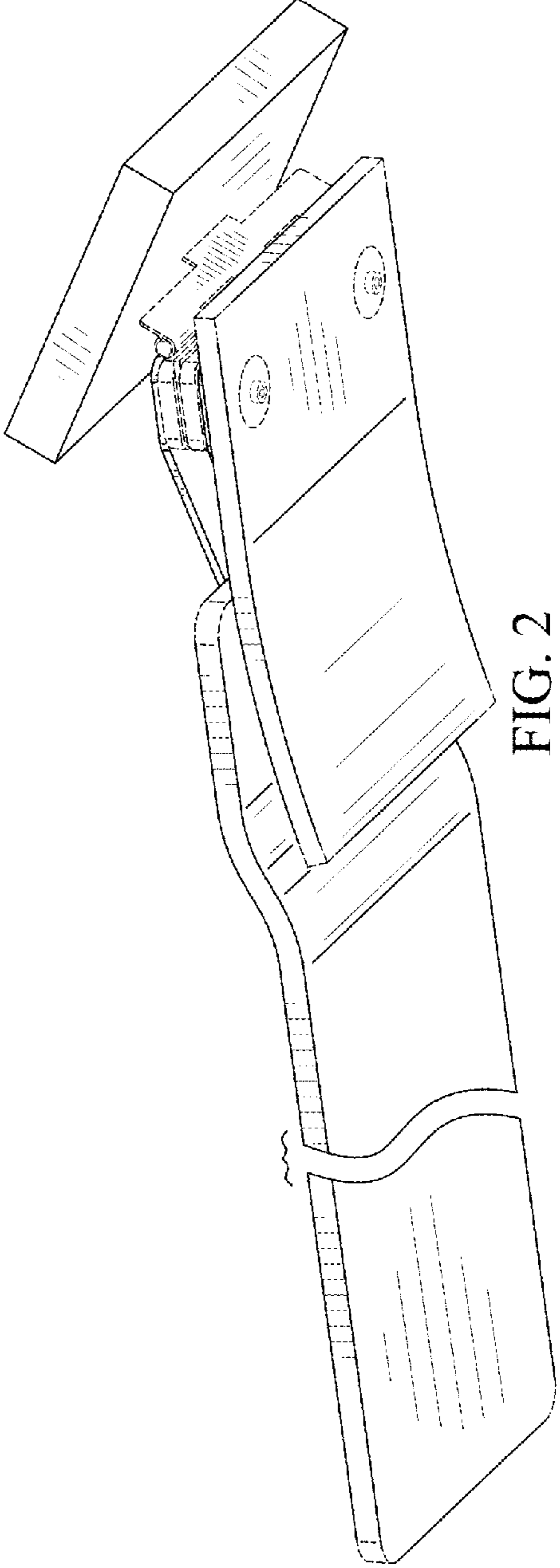


FIG. 2

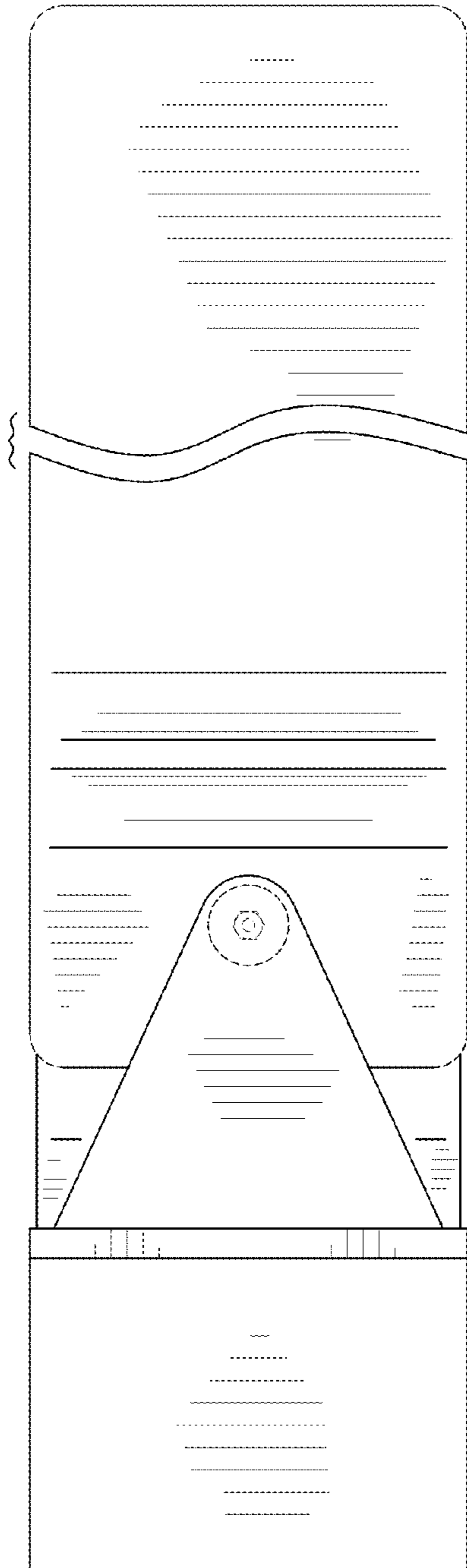


FIG. 3

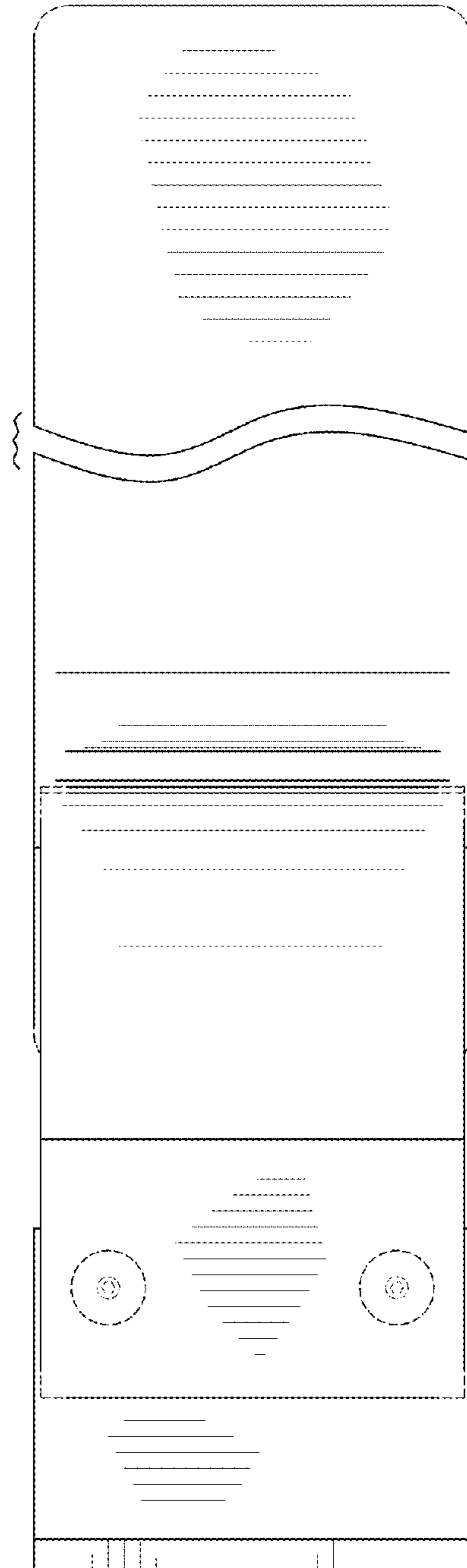


FIG. 4

