



US00D718237S

(12) **United States Design Patent**
Asakura et al.

(10) **Patent No.:** **US D718,237 S**

(45) **Date of Patent:** **** Nov. 25, 2014**

(54) **POWER SUPPLY DEVICE**

(71) Applicant: **ELIY Power Co., Ltd.**, Tokyo (JP)

(72) Inventors: **Shigenori Asakura**, Tokyo (JP);
Tomohiro Yamada, Tokyo (JP);
Hiroyuki Kuriyama, Tokyo (JP)

(73) Assignee: **ELITY Power Co., Ltd.**, Tokyo (JP)

(**) Term: **14 Years**

(21) Appl. No.: **29/483,869**

(22) Filed: **Mar. 4, 2014**

(30) **Foreign Application Priority Data**

Sep. 5, 2013 (JP) D2013-020555

(51) **LOC (10) Cl.** **13-02**

(52) **U.S. Cl.**
USPC **D13/110**

(58) **Field of Classification Search**

USPC D13/110, 103, 107, 108, 118, 119, 123,
D13/133, 137.1, 184, 199; D14/240, 251,
D14/356, 432, 433, 434; 174/53, 54, 59, 61;
307/11, 150, 151; 320/107, 111, 112,
320/113, 114, 115; 361/679.01; 363/142,
363/146; 439/131, 172, 626, 628, 638

See application file for complete search history.

(56) **References Cited**

U.S. PATENT DOCUMENTS

D289,395 S *	4/1987	Bowers	D13/110
D406,100 S *	2/1999	Murphy	D13/110
D544,834 S *	6/2007	Weinstein	D13/110
D552,081 S *	10/2007	Yano	D14/214
D568,814 S *	5/2008	Hung	D13/123
D658,581 S *	5/2012	Reade et al.	D13/110
D674,342 S *	1/2013	Ho	D13/110
D686,988 S *	7/2013	Fawkes et al.	D13/110

* cited by examiner

Primary Examiner — Derrick Holland

(74) *Attorney, Agent, or Firm* — Leydig, Voit & Mayer

(57) **CLAIM**

The ornamental design for a power supply device, as shown and described.

DESCRIPTION

FIG. 1 is a front view of a power supply device of the present invention;

FIG. 2 is a rear view thereof;

FIG. 3 is a top plan view thereof;

FIG. 4 is a bottom view thereof;

FIG. 5 is a right side view thereof;

FIG. 6 is a left side view thereof;

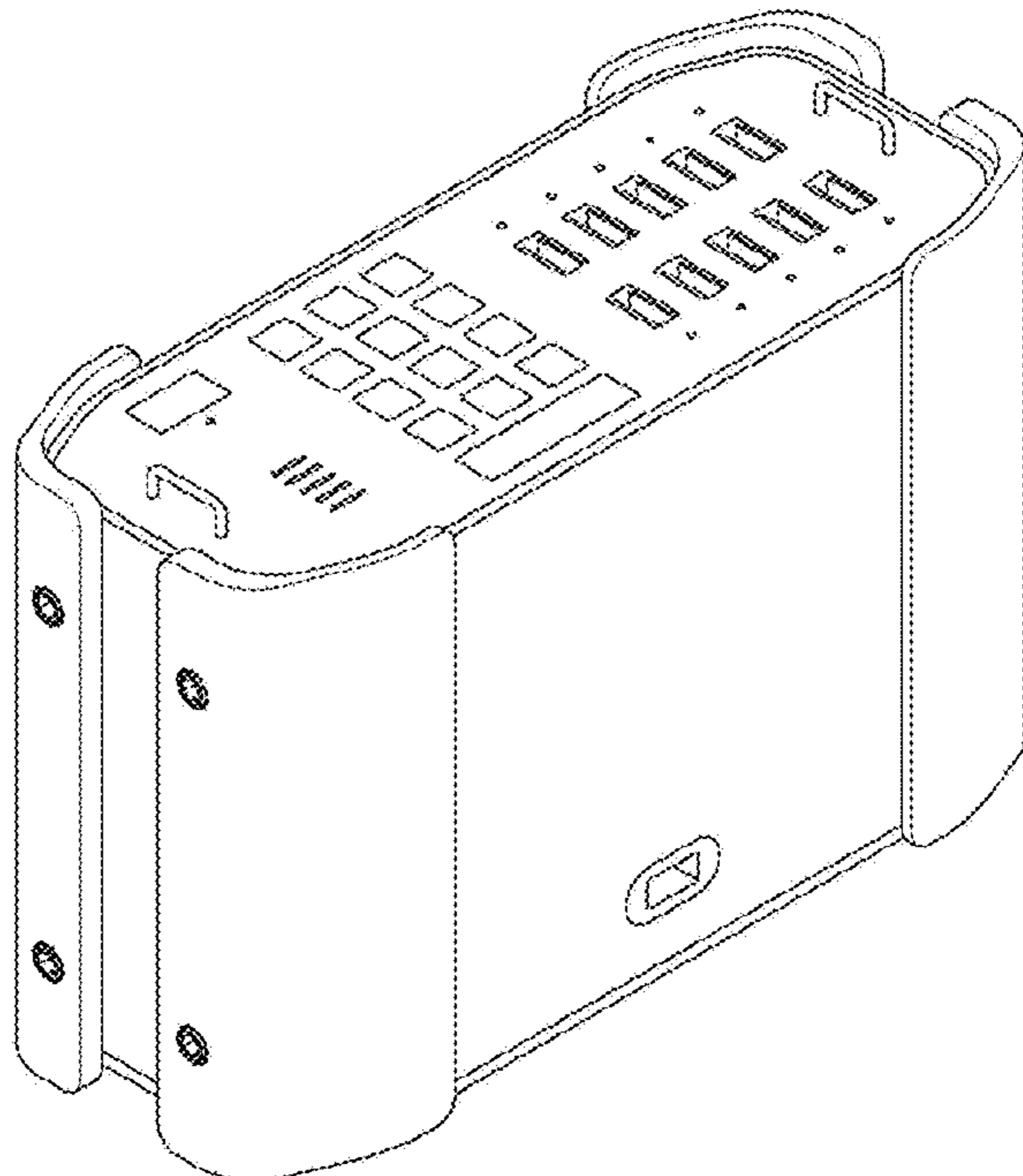
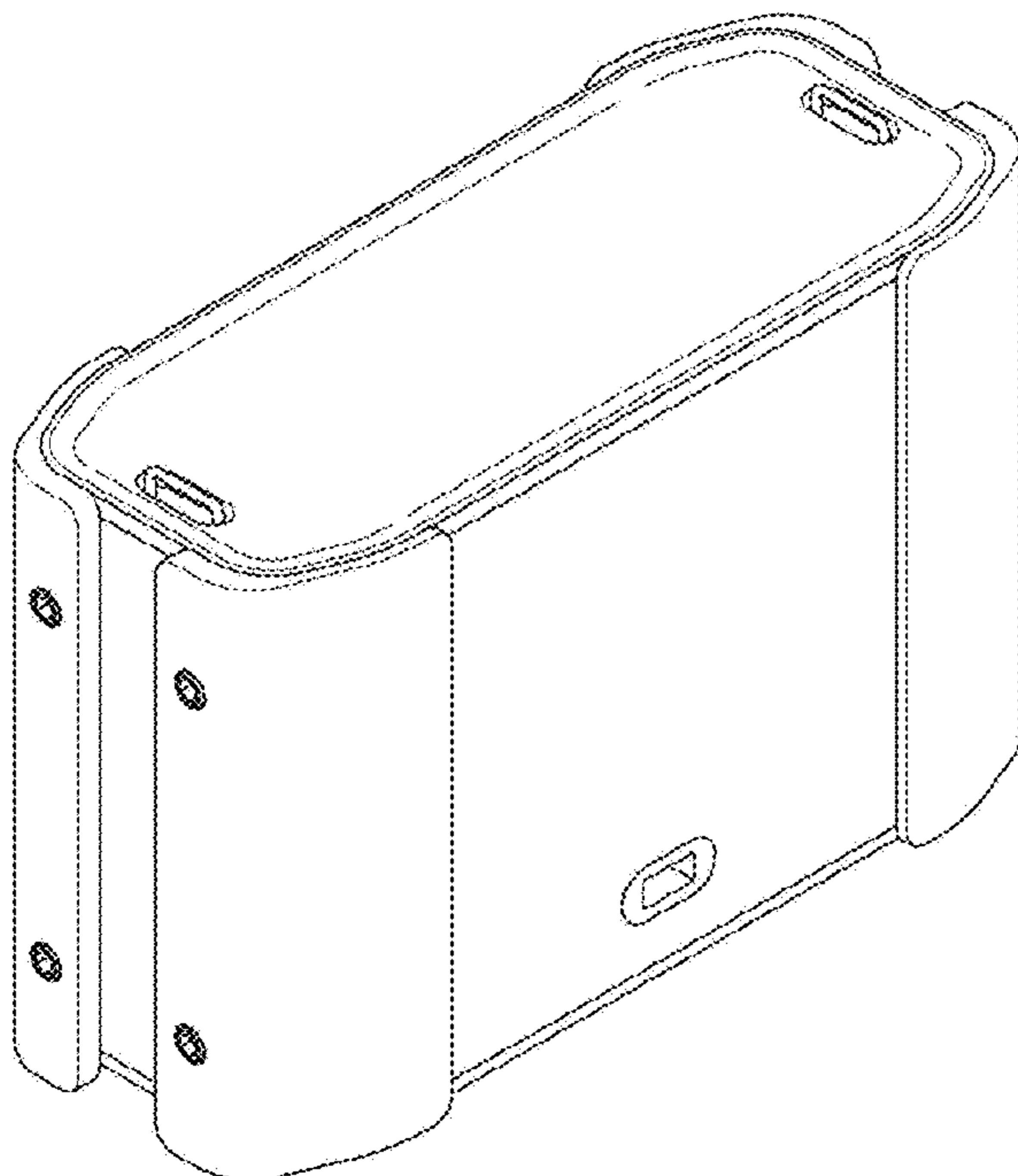
FIG. 7 is a top perspective view thereof;

FIG. 8 is a bottom perspective view thereof;

FIG. 9 is a top plan view thereof, with the lid removed; and,

FIG. 10 is a top perspective view thereof, with the lid removed.

1 Claim, 10 Drawing Sheets



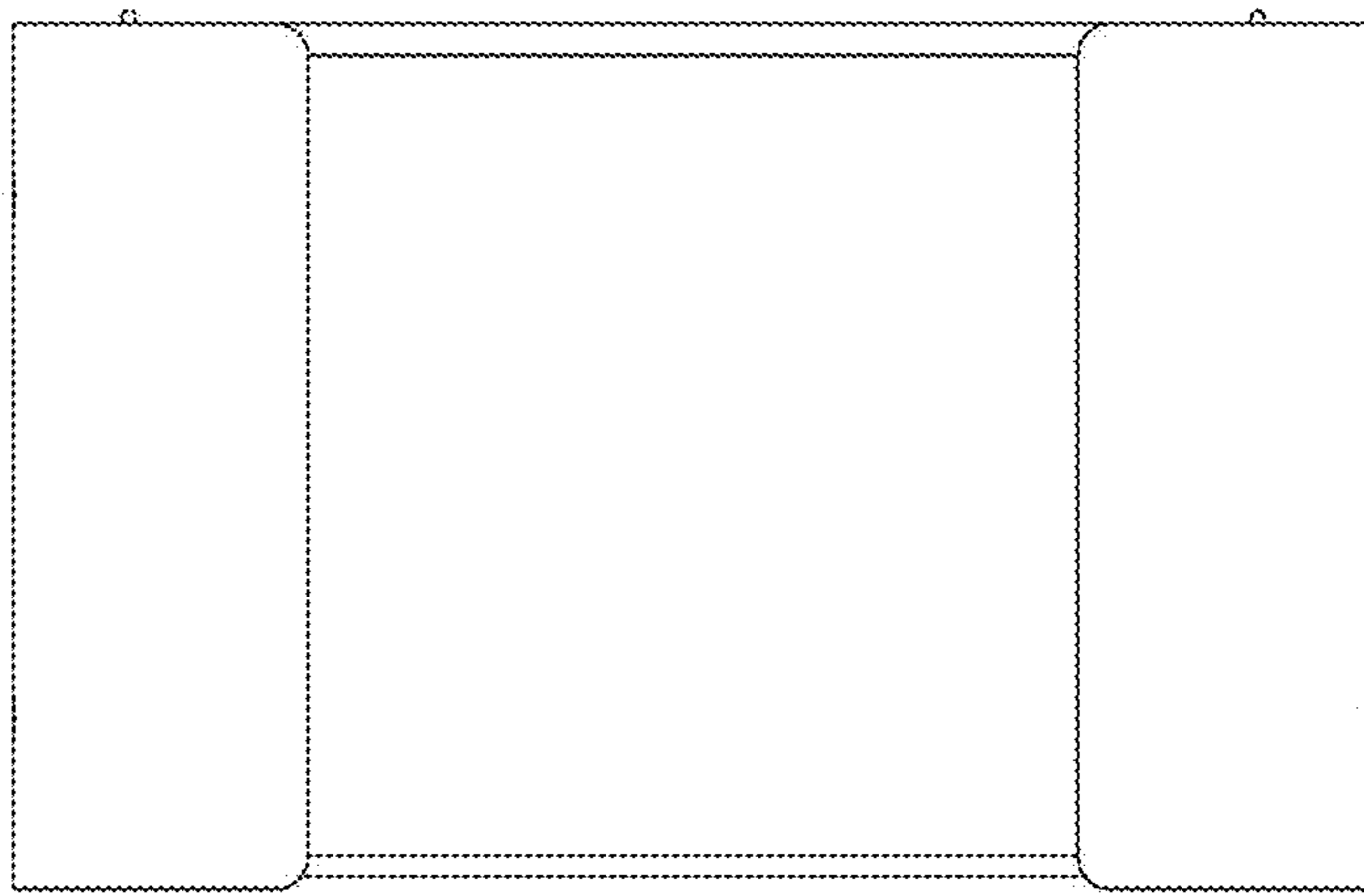


FIG. 1

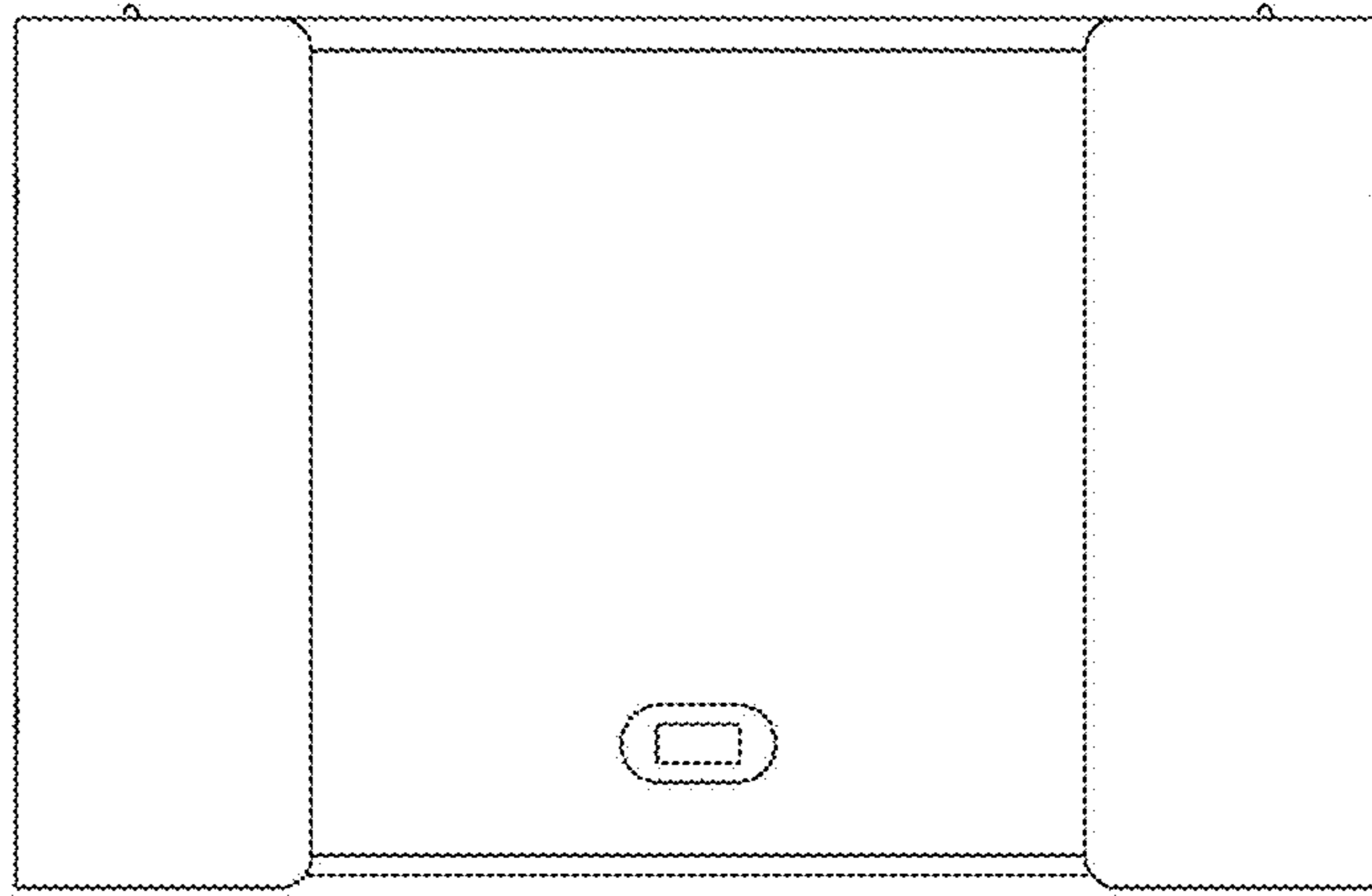


FIG. 2

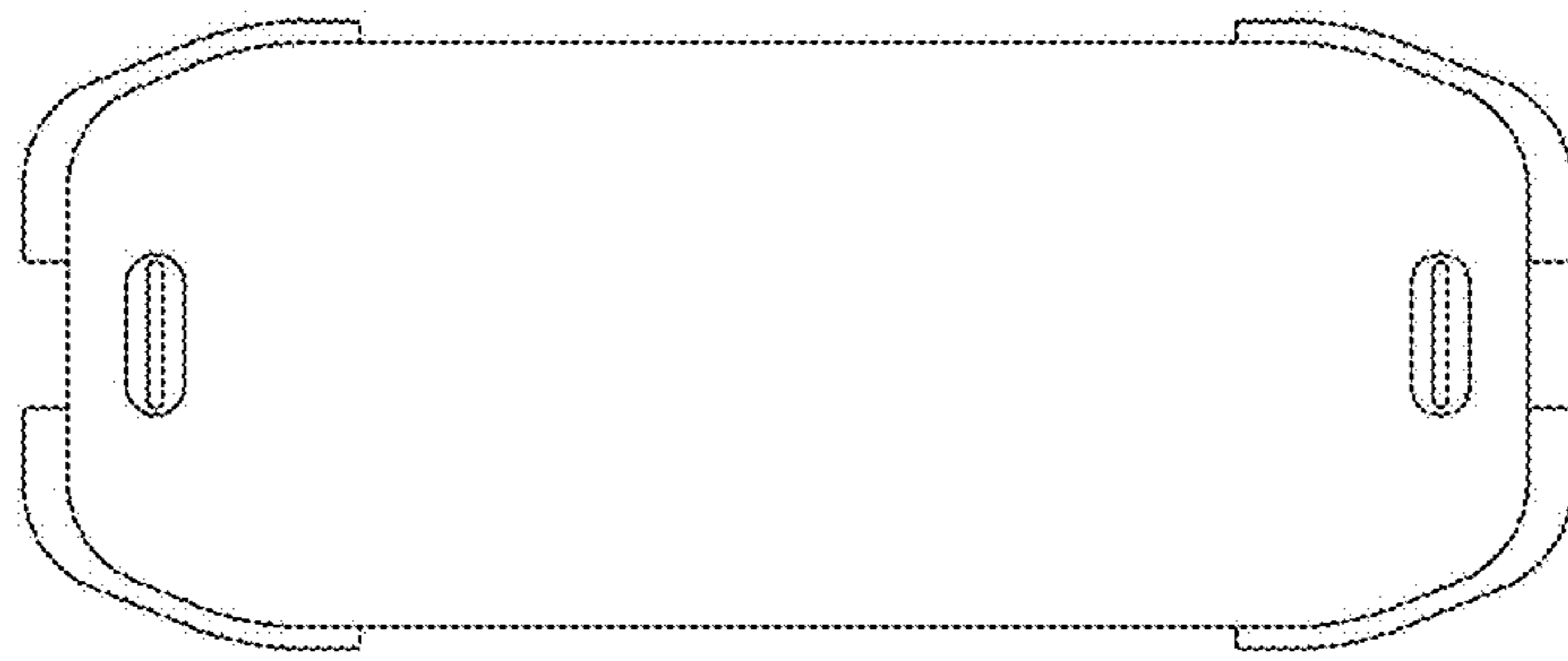


FIG. 3

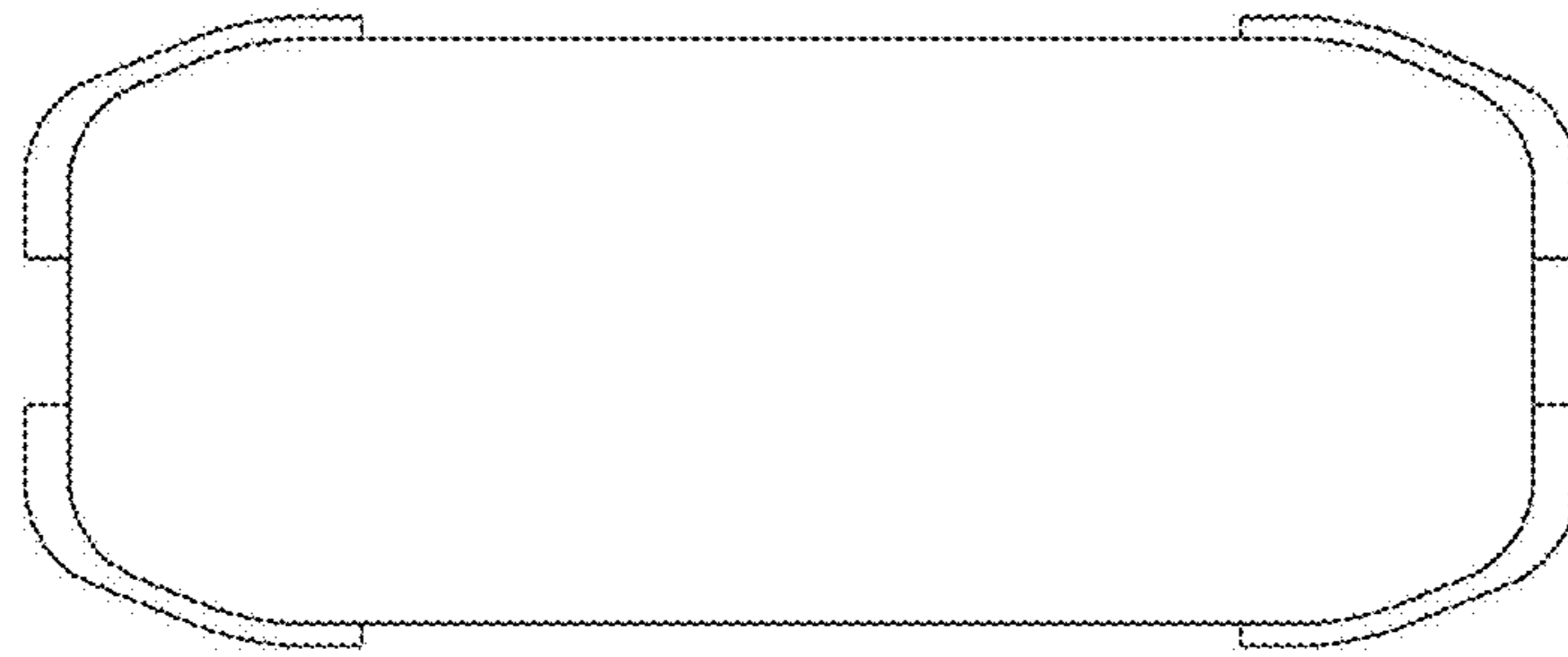


FIG. 4

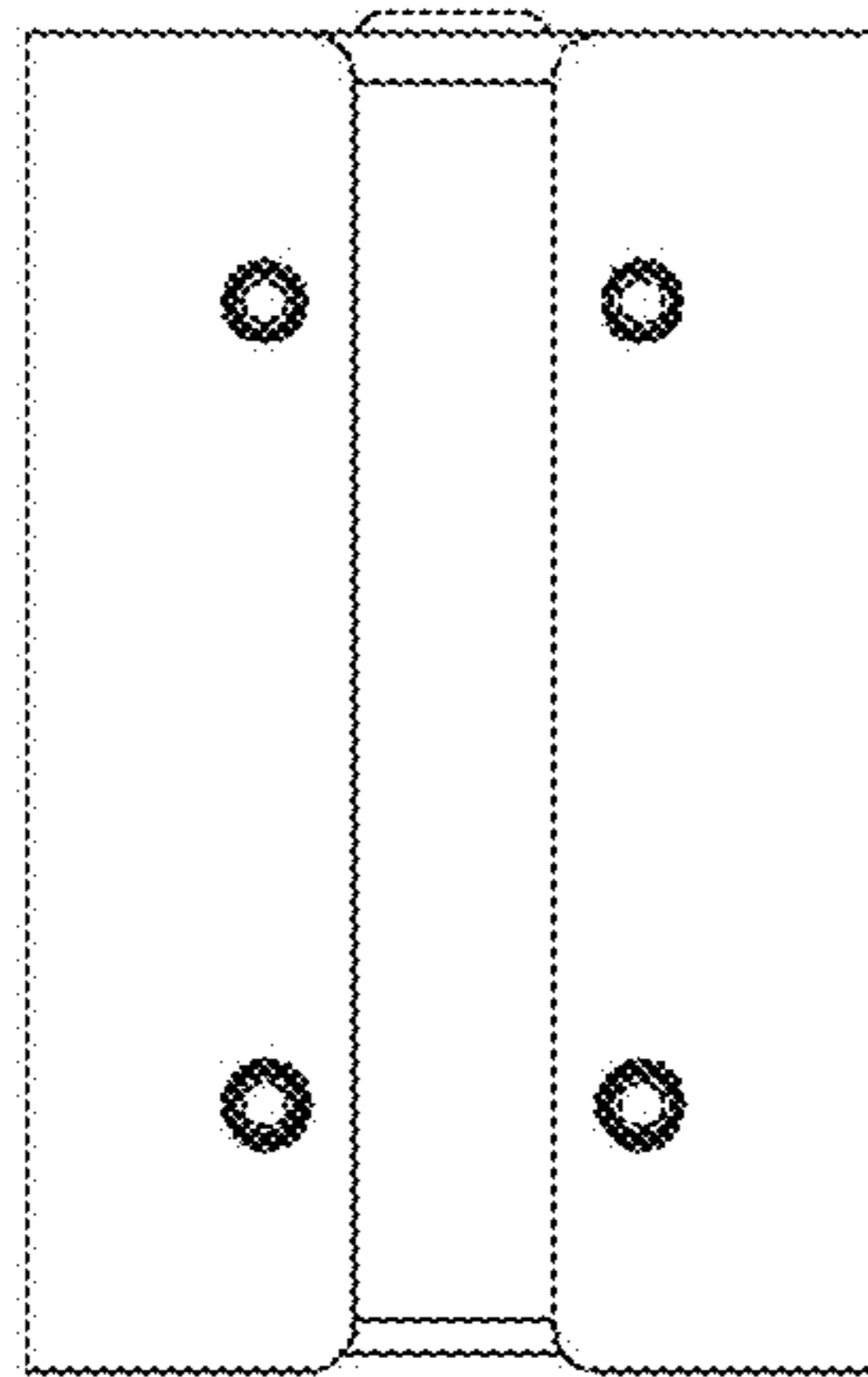


FIG. 5

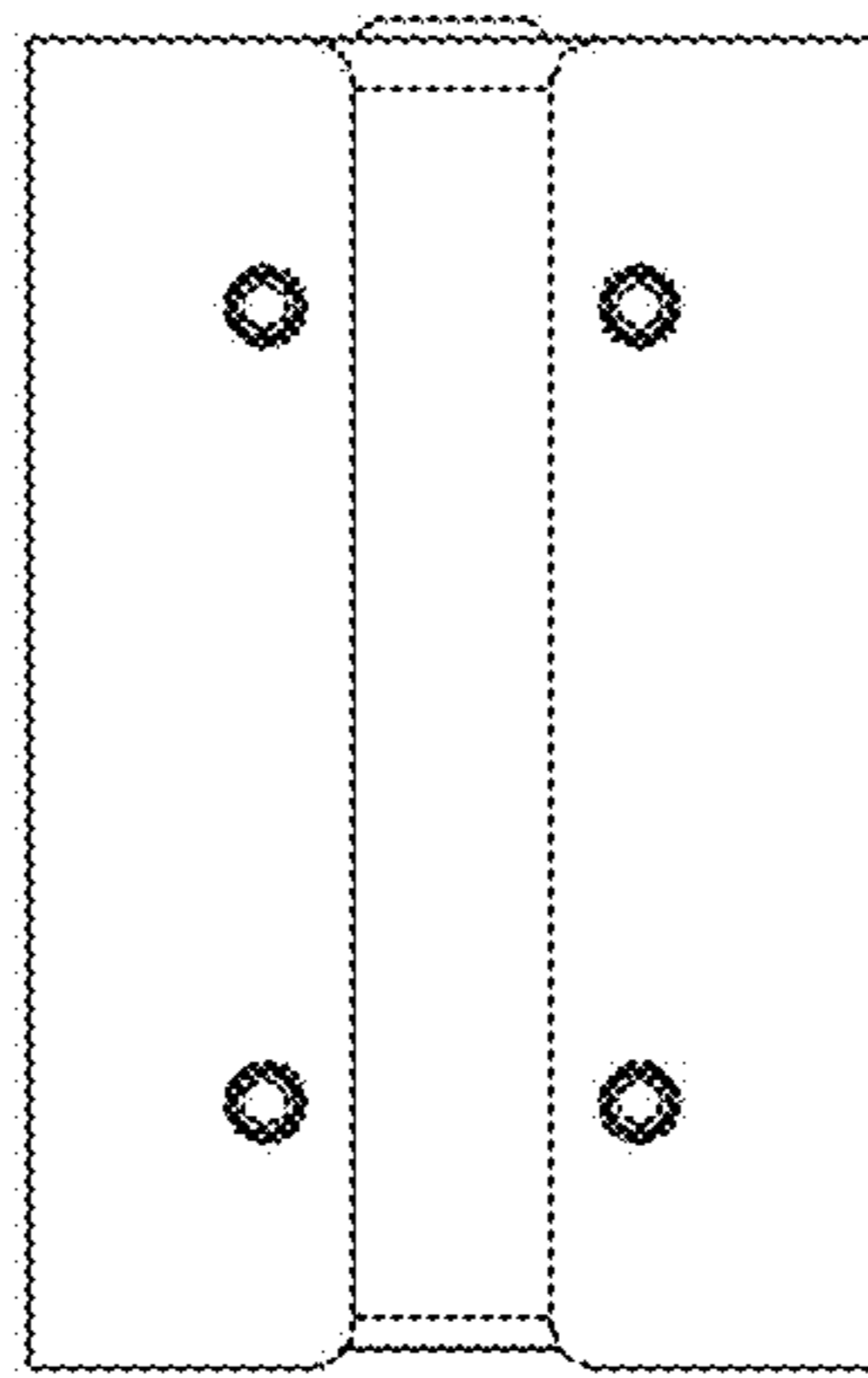


FIG. 6

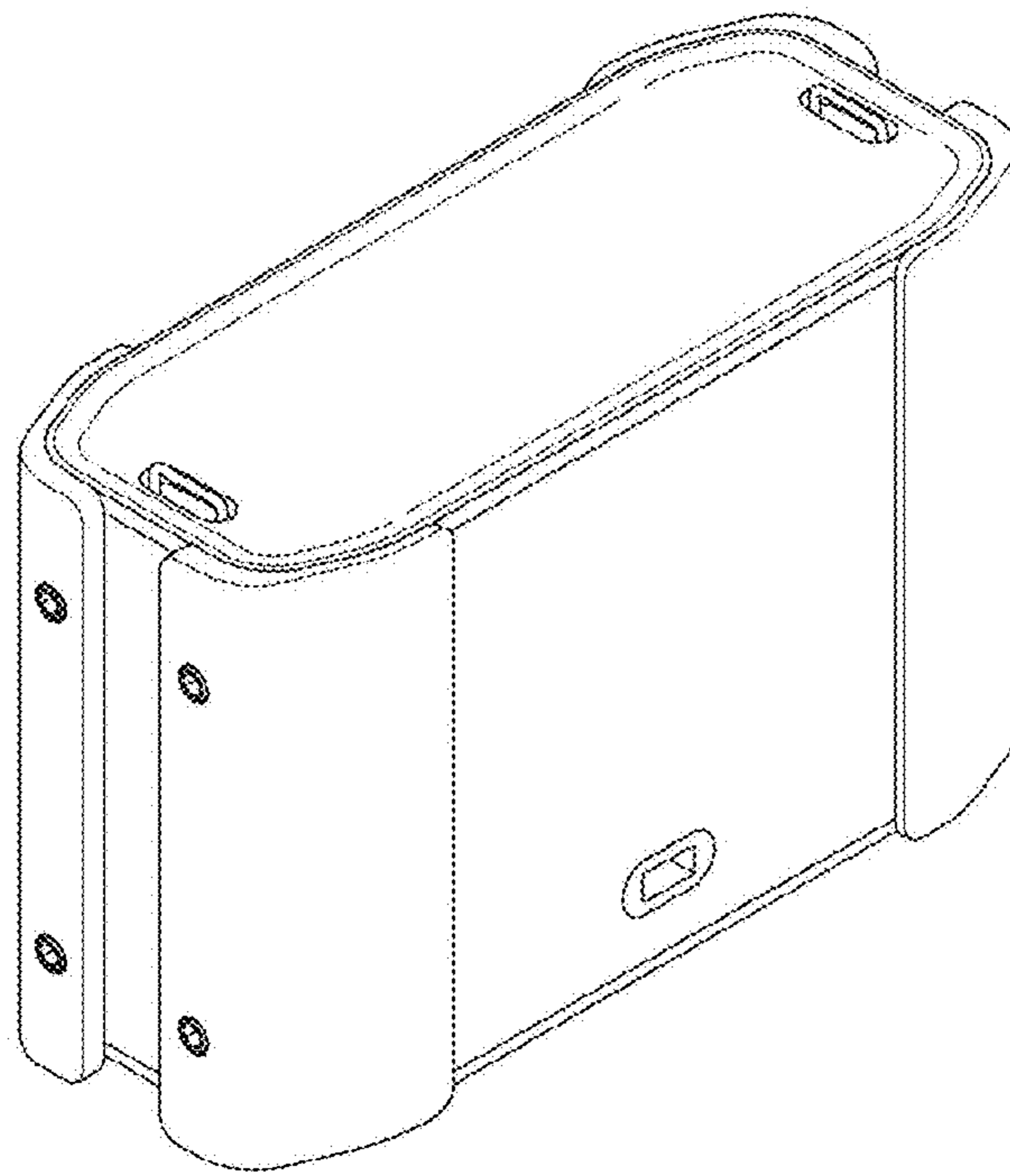


FIG. 7

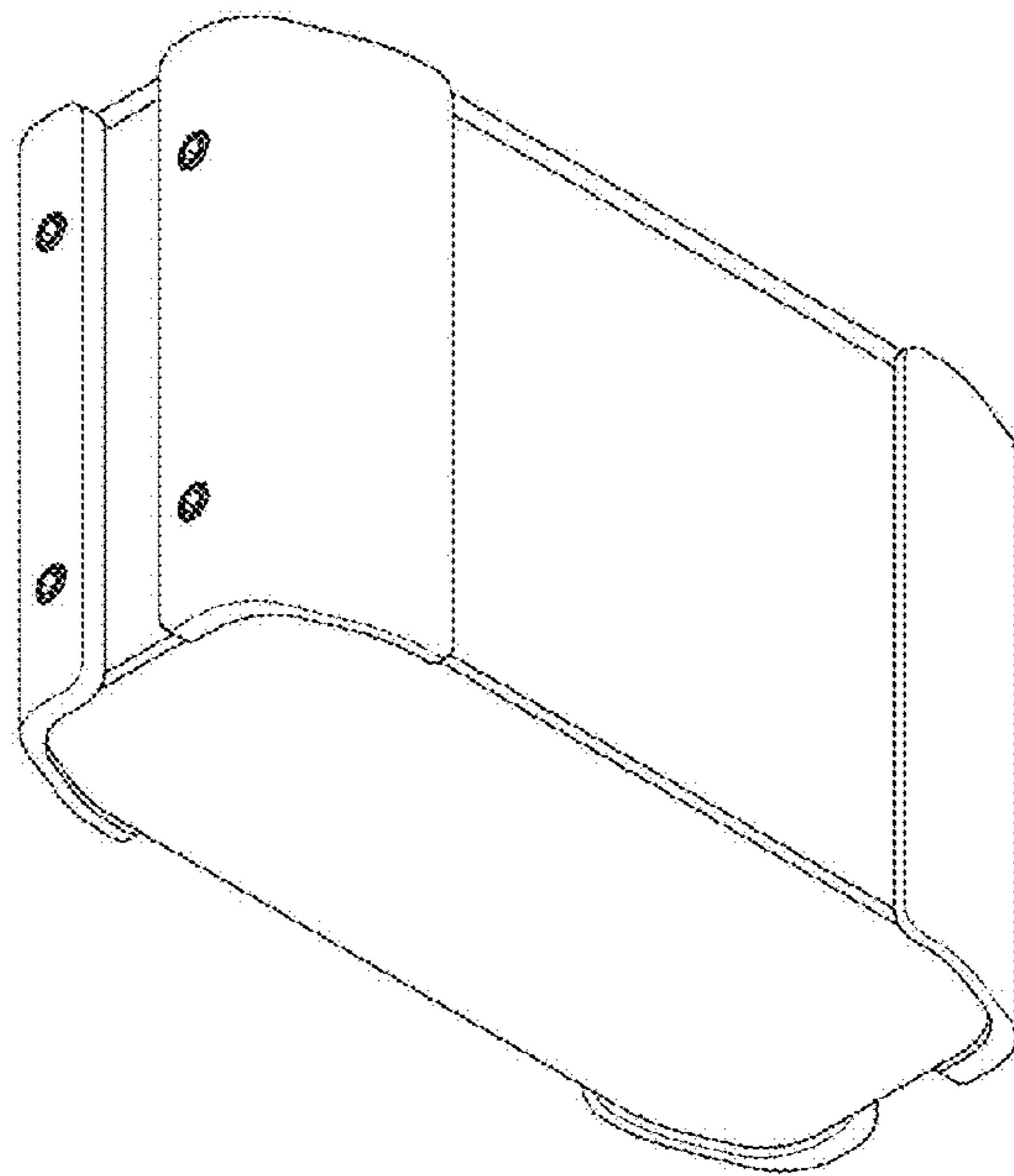


FIG. 8

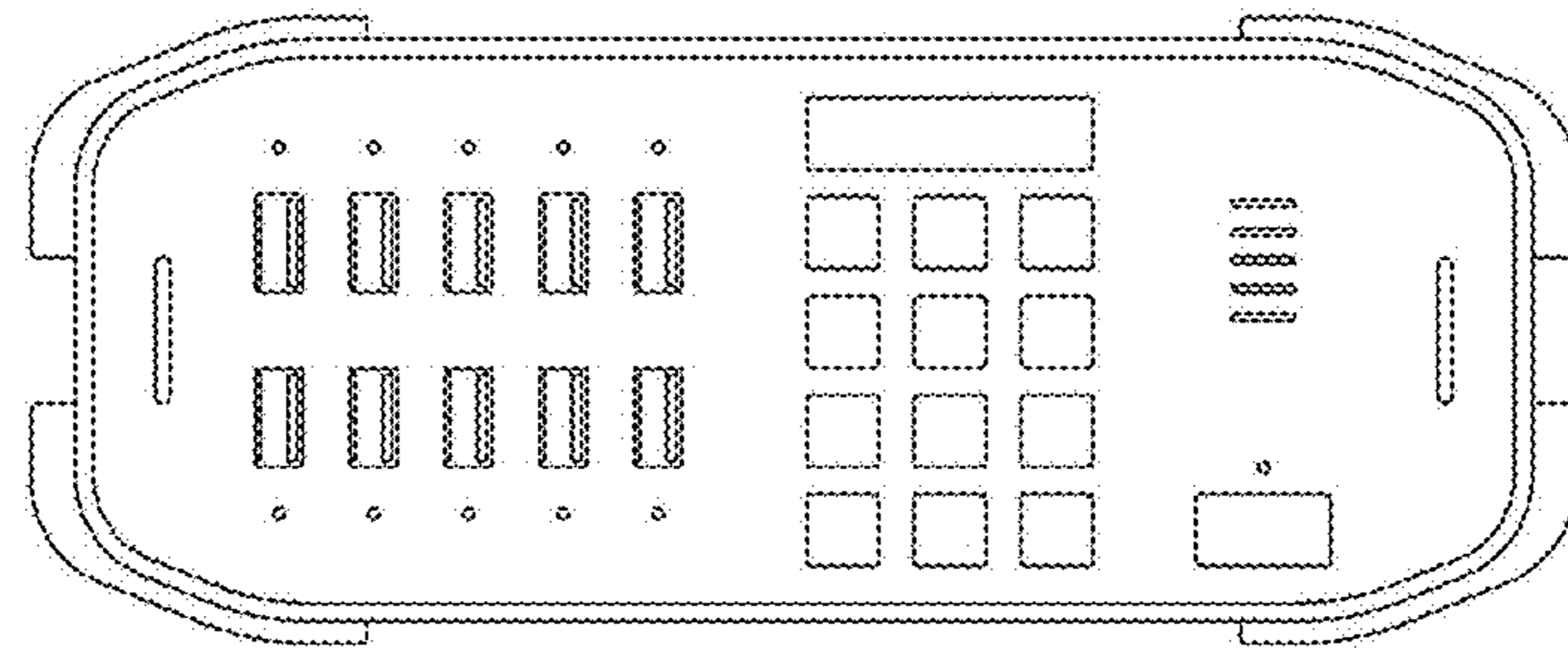


FIG. 9

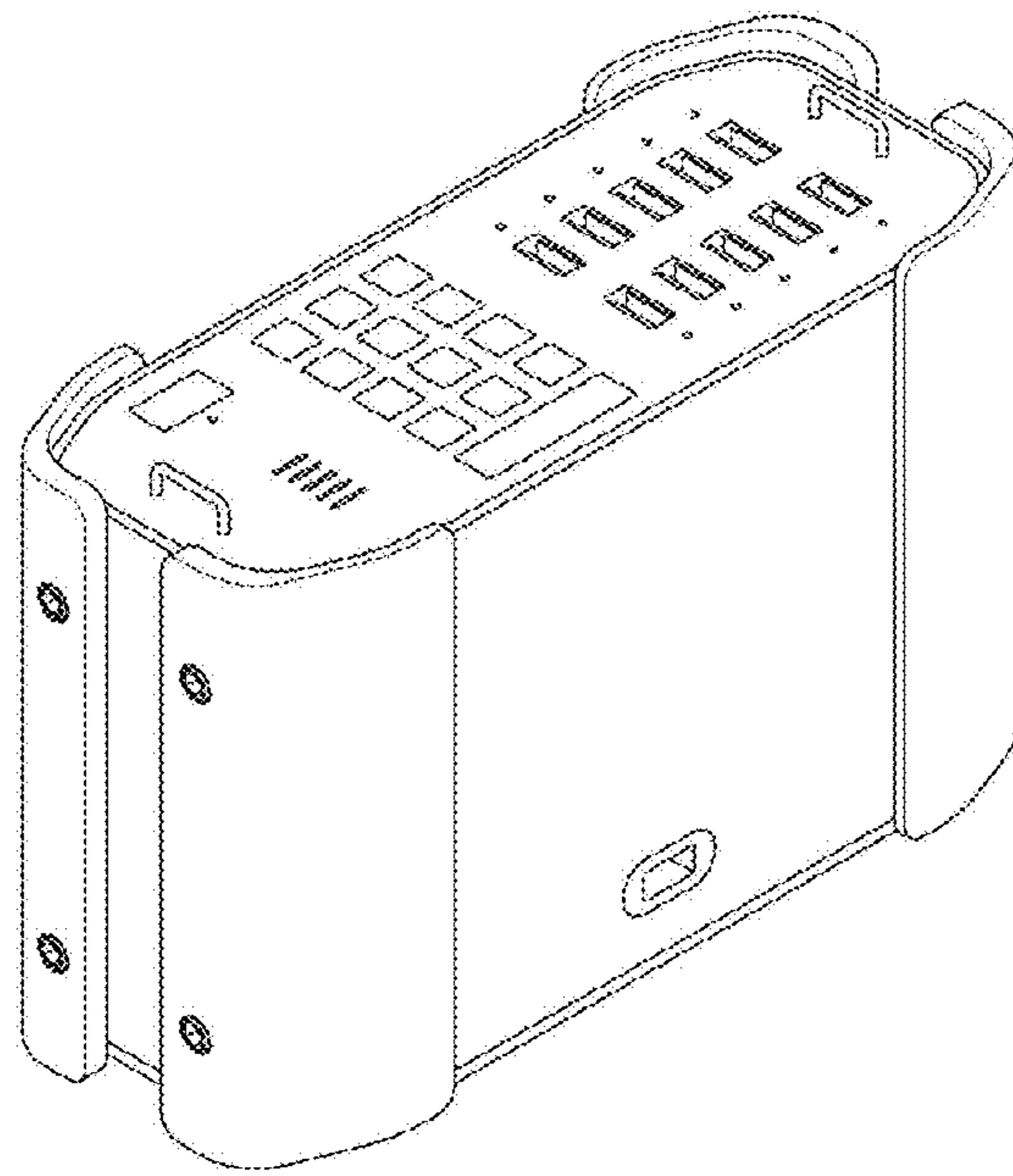


FIG. 10