



US00D718233S

(12) **United States Design Patent**
Aumiller et al.

(10) **Patent No.:** **US D718,233 S**

(45) **Date of Patent:** **** Nov. 25, 2014**

(54) **CHARGER FOR AN ELECTRONIC DEVICE**

(71) Applicant: **Samsung Electronics Co., Ltd.**,
Suwon-si (KR)

(72) Inventors: **Curt Aumiller**, San Jose, CA (US);
Pranav Mistry, Cupertino, CA (US);
Chengyuan Wei, Dalian (CN)

(73) Assignee: **Samsung Electronics Co., Ltd.**,
Suwon-Si (KR)

(**) Term: **14 Years**

(21) Appl. No.: **29/453,845**

(22) Filed: **May 3, 2013**

Related U.S. Application Data

(63) Continuation of application No. 29/449,567, filed on
Mar. 15, 2013.

(51) **LOC (10) Cl.** **13-02**

(52) **U.S. Cl.**
USPC **D13/108**

(58) **Field of Classification Search**
USPC D13/107–110, 118–119, 184, 199;
D14/217, 251, 253, 432, 434;
320/107–115

See application file for complete search history.

(56) **References Cited**

U.S. PATENT DOCUMENTS

D221,081 S *	7/1971	Kahn	D13/110
D300,678 S *	4/1989	Barrault	D32/73
D526,973 S *	8/2006	Gates et al.	D13/184
D537,409 S *	2/2007	Suzuki	D13/108
D550,614 S *	9/2007	Fee et al.	D13/107
D558,207 S *	12/2007	Ikeda et al.	D14/434
D558,208 S *	12/2007	Ikeda et al.	D14/434
D558,209 S *	12/2007	Ikeda et al.	D14/434

D575,289 S *	8/2008	Kuo et al.	D14/434
D585,898 S *	2/2009	Skurdal	D14/434
D602,858 S *	10/2009	Ellis et al.	D13/108
D627,718 S *	11/2010	Houghton	D13/108
D654,431 S *	2/2012	Stephanchick et al.	D13/108
D659,093 S *	5/2012	Schmid et al.	D13/108
D680,541 S *	4/2013	Lee et al.	D14/434
2009/0134838 A1 *	5/2009	Raghuprasad	320/108

* cited by examiner

Primary Examiner — Rosemary K Tarcza

(74) *Attorney, Agent, or Firm* — Sughrue Mion, PLLC

(57) **CLAIM**

The ornamental design for a charger for an electronic device,
as shown and described.

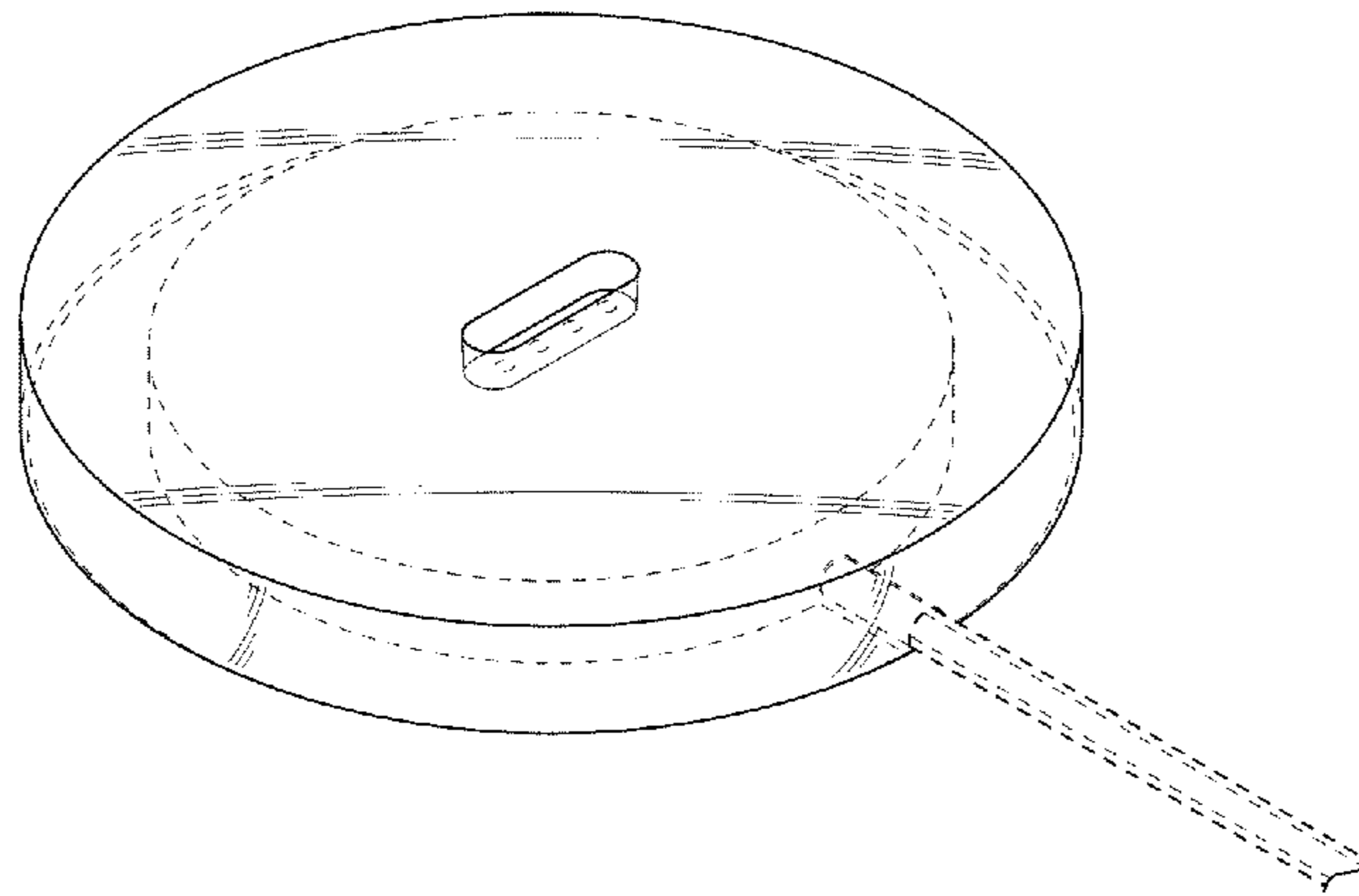
DESCRIPTION

FIG. 1 is a top front perspective view of a charger for an electronic device showing our new design;
 FIG. 2 is a front elevational view thereof;
 FIG. 3 is a rear elevational view thereof;
 FIG. 4 is a left side elevational view thereof;
 FIG. 5 is a right side elevational view thereof;
 FIG. 6 is a top plan view thereof;
 FIG. 7 is a bottom plan view thereof;
 FIG. 8 is an additional top front perspective view thereof in a case where the upper transparent cover part is separated from the lower nontransparent charger part;
 FIG. 9 is an additional top front perspective view thereof showing the connection of the present charger with an electronic device; and,
 FIG. 10 is an additional top plan view thereof showing the status of connection of the present charger with the charging port of an electronic device.

The broken lines depict environmental subject matter only and form no part of the claimed design.

The present design invention refers to an ornamental design for a charger for an electronic device.

1 Claim, 6 Drawing Sheets



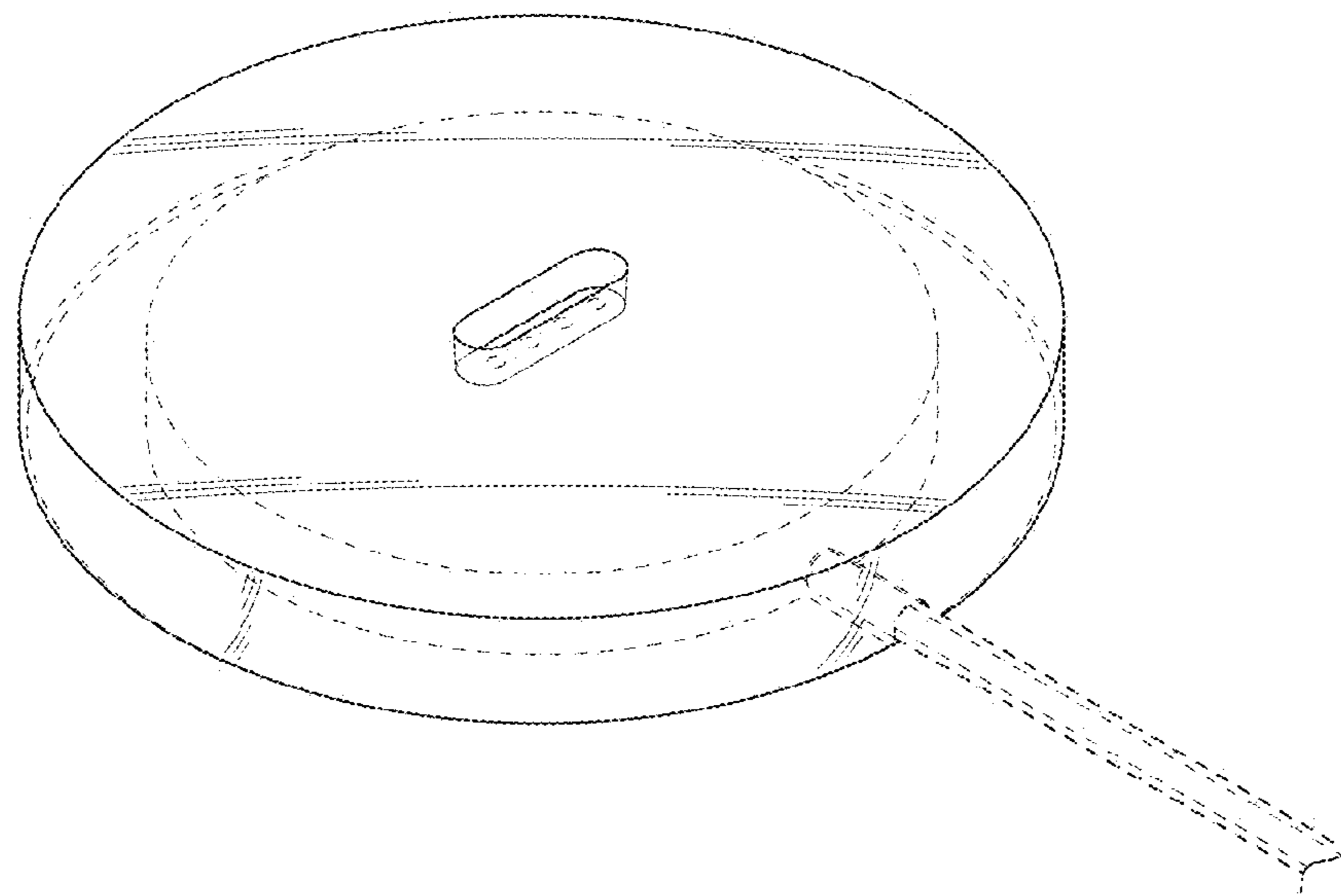


FIG. 1

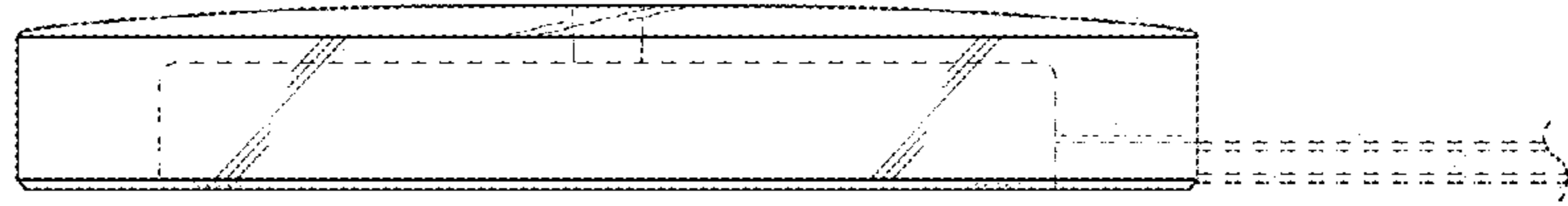


FIG. 2

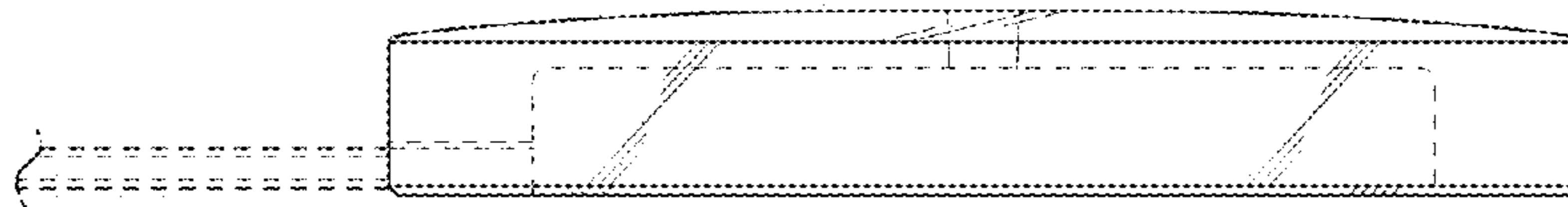


FIG. 3

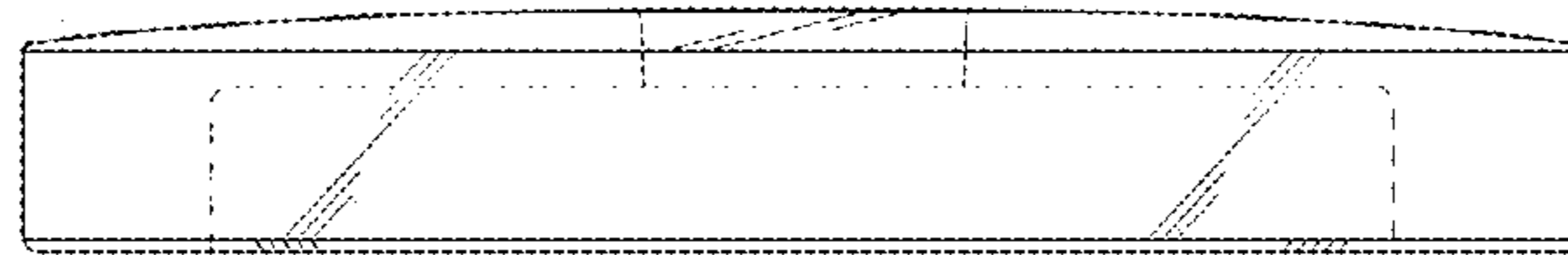


FIG. 4



FIG. 5

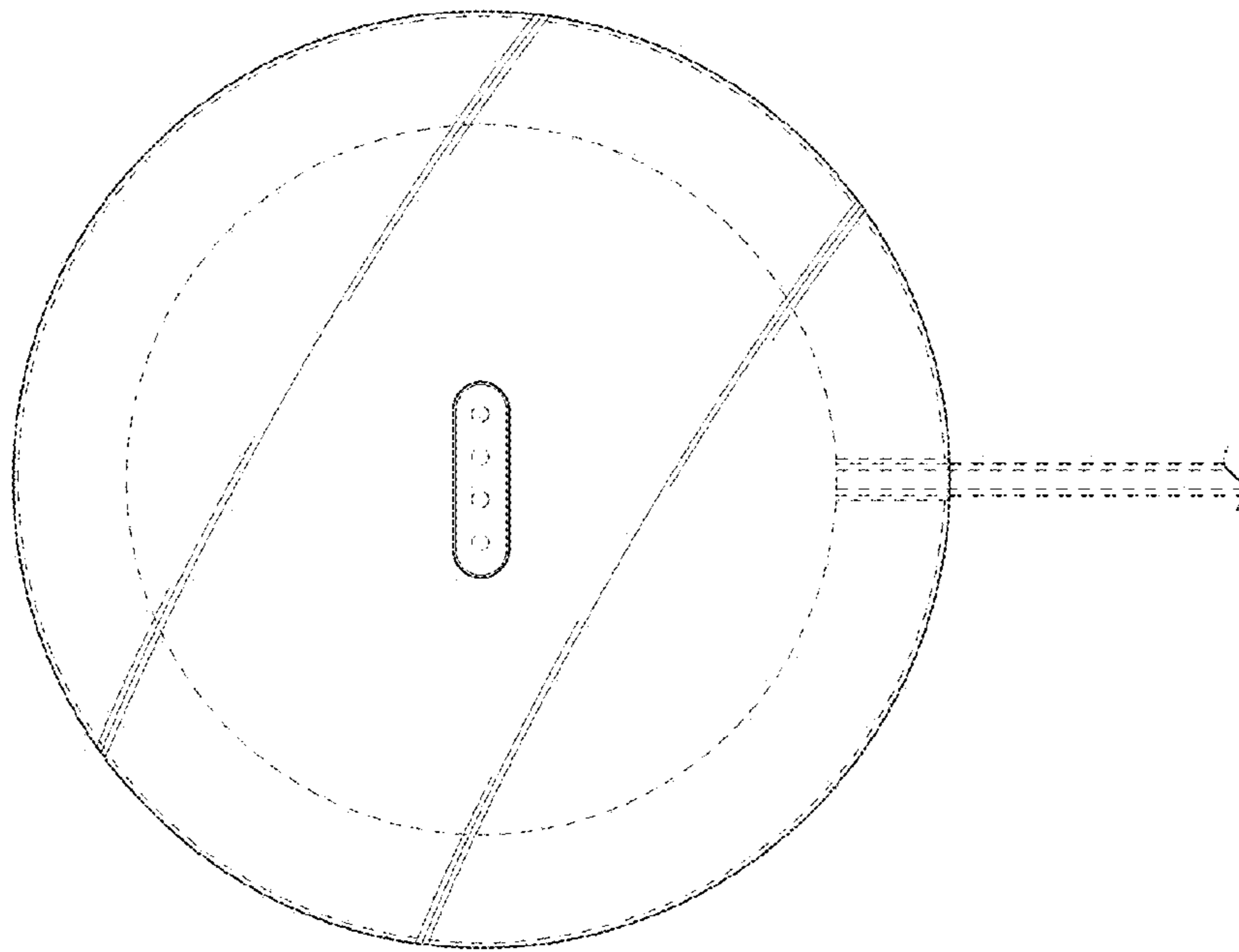


FIG. 6

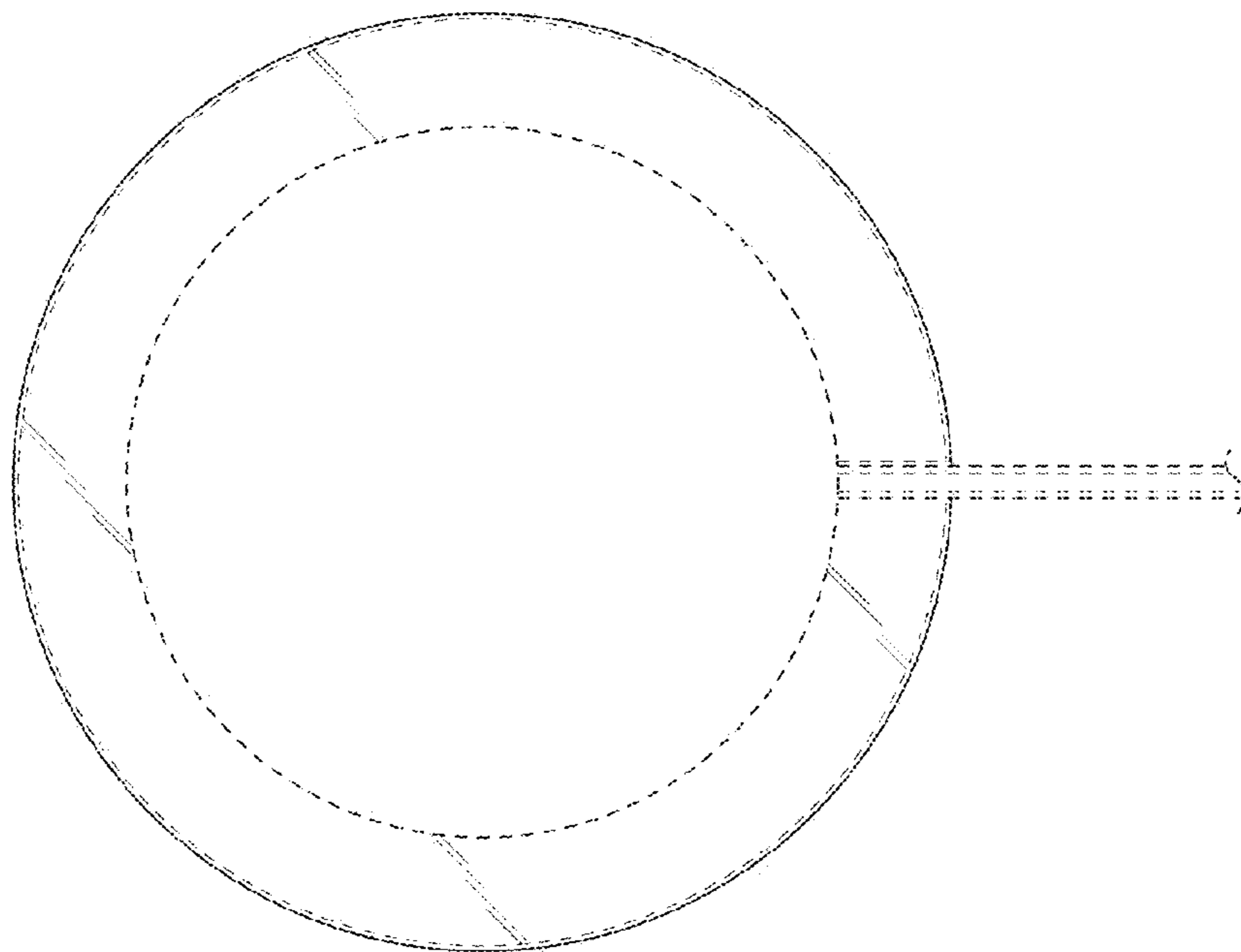


FIG. 7

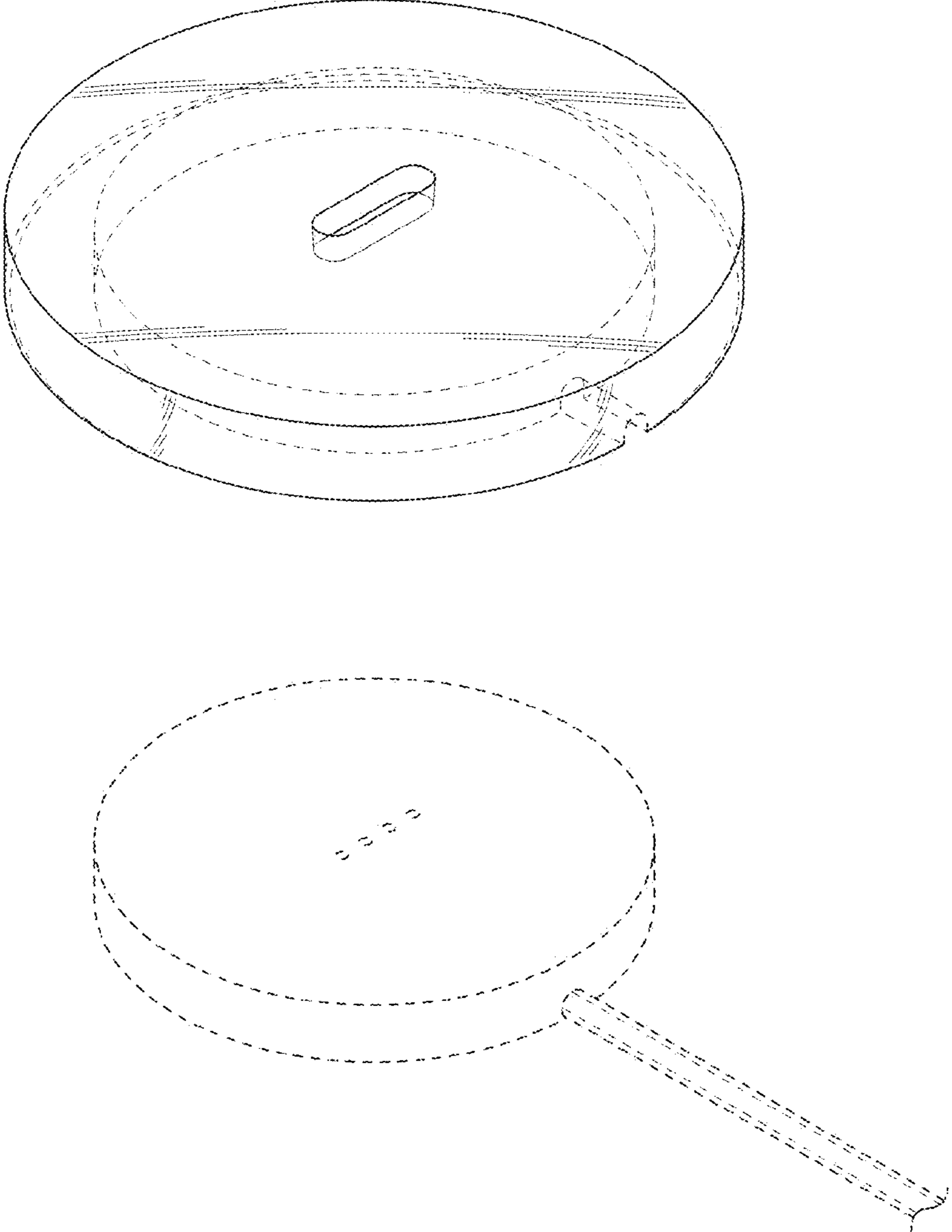


FIG. 8

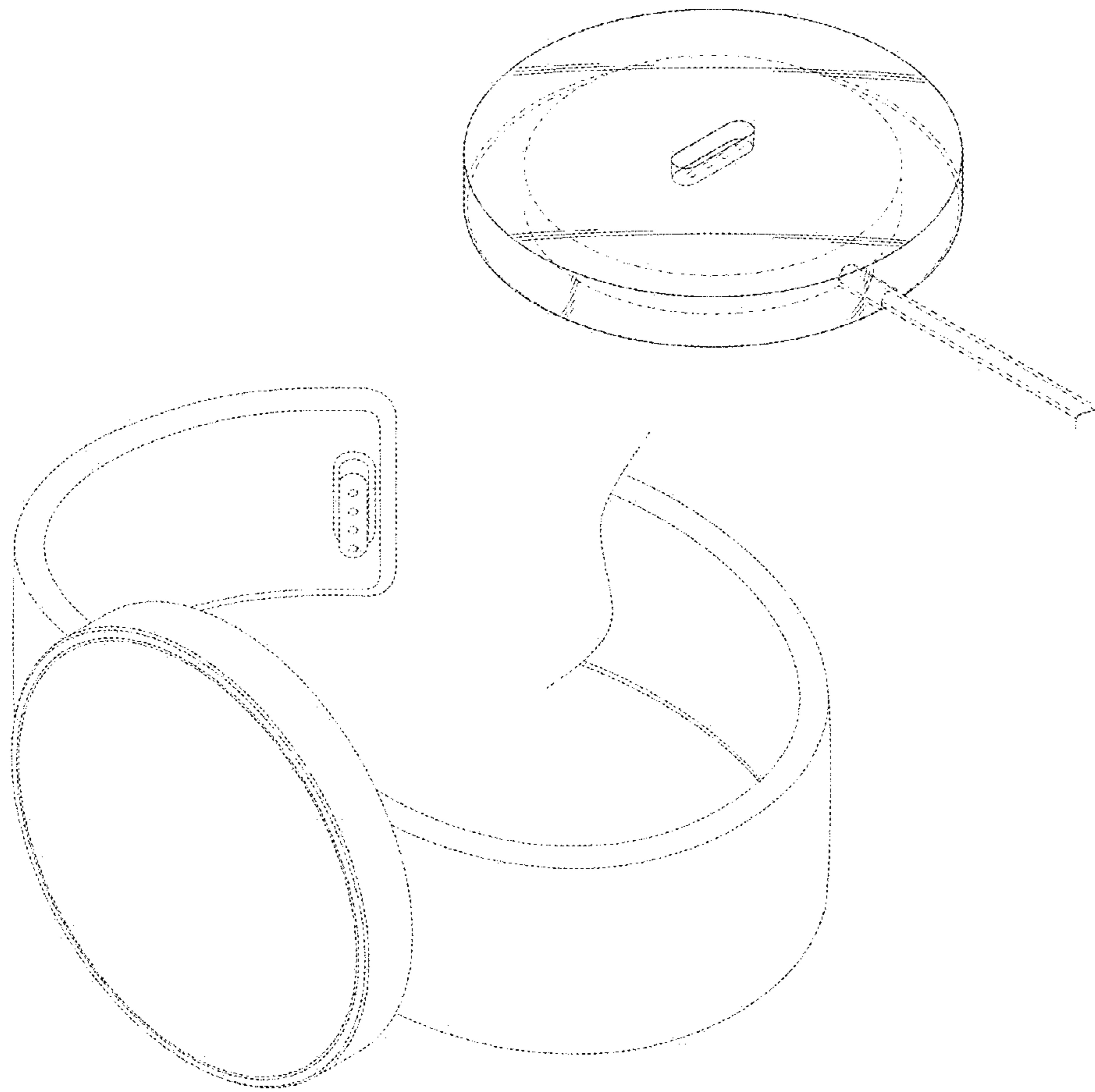


FIG. 9

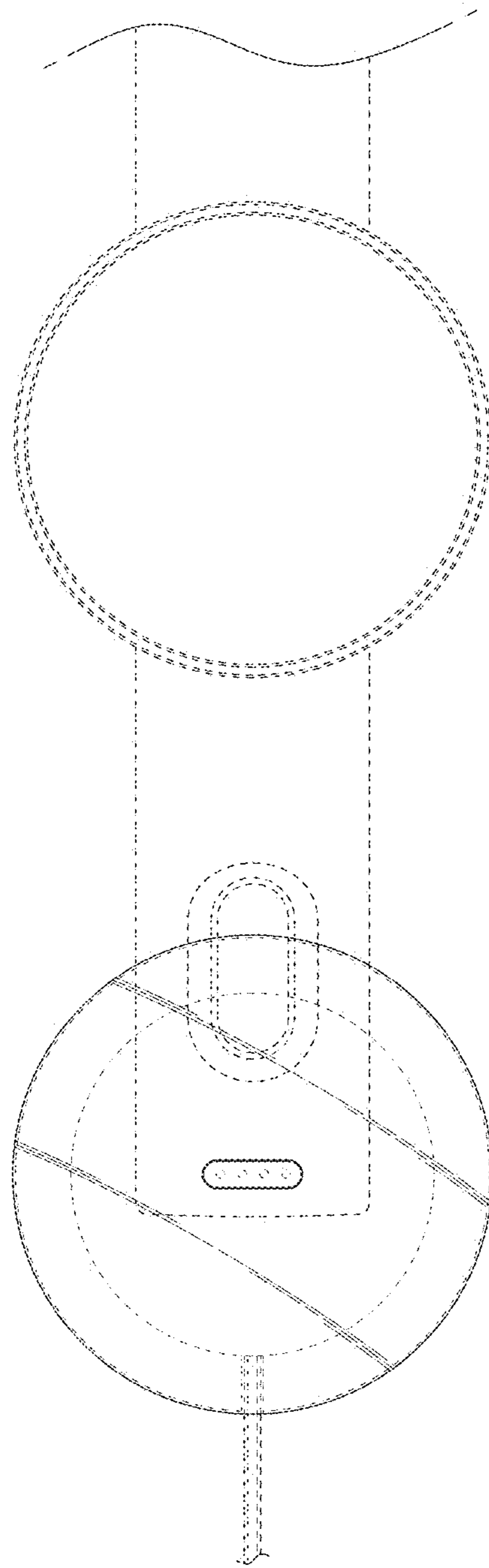


FIG. 10