



US00D718231S

(12) **United States Design Patent**  
**Burns et al.**

(10) **Patent No.:** **US D718,231 S**

(45) **Date of Patent:** **\*\* Nov. 25, 2014**

(54) **LEAD-ACID BATTERY**

(71) Applicant: **NorthStar Battery Company, LLC**,  
Springfield, MO (US)

(72) Inventors: **Steve Burns**, Springfield, MO (US);  
**John Hooke**, Springfield, MO (US);  
**John Semeniuk**, Springfield, MO (US);  
**Bob Shirk**, Springfield, MO (US)

(73) Assignee: **NorthStar Battery Company, LLC**,  
Springfield, MO (US)

(\*\*) Term: **14 Years**

(21) Appl. No.: **29/436,353**

(22) Filed: **Nov. 5, 2012**

(51) **LOC (10) Cl.** ..... **13-02**

(52) **U.S. Cl.**  
USPC ..... **D13/104**

(58) **Field of Classification Search**  
USPC ..... D13/102–108, 110, 118–121, 184, 199;  
429/96–100, 149, 163, 176, 187  
See application file for complete search history.

(56) **References Cited**

**U.S. PATENT DOCUMENTS**

D206,381 S	*	12/1966	Brentrup .....	D13/104
D310,821 S	*	9/1990	Hulsebus et al. ....	D13/104
D623,127 S	*	9/2010	Seyama et al. ....	D13/104
D625,253 S	*	10/2010	Mack et al. ....	D13/104

D625,254 S	*	10/2010	Mack et al. ....	D13/104
D635,508 S	*	4/2011	Seyama et al. ....	D13/104
D643,811 S	*	8/2011	Qualls et al. ....	D13/106
D657,739 S	*	4/2012	Miyawaki et al. ....	D13/104
D659,088 S	*	5/2012	Steinberg .....	D13/106
D660,226 S	*	5/2012	Elison et al. ....	D13/104
D660,792 S	*	5/2012	Inskeep .....	D13/107
D665,342 S	*	8/2012	Qualls et al. ....	D13/106
D665,343 S	*	8/2012	Qualls et al. ....	D13/106

\* cited by examiner

*Primary Examiner* — Rosemary K Tarcza

(74) *Attorney, Agent, or Firm* — Thompson Coburn LLP

(57) **CLAIM**

The ornamental design for a lead-acid battery, as shown and described.

**DESCRIPTION**

FIG. 1 shows the front view of the lead-acid battery design, the rear view being a mirror image thereof.

FIG. 2 shows the top view of the lead-acid battery design.

FIG. 3 shows the bottom view of the lead-acid battery design.

FIG. 4 shows the right view of the lead-acid battery design.

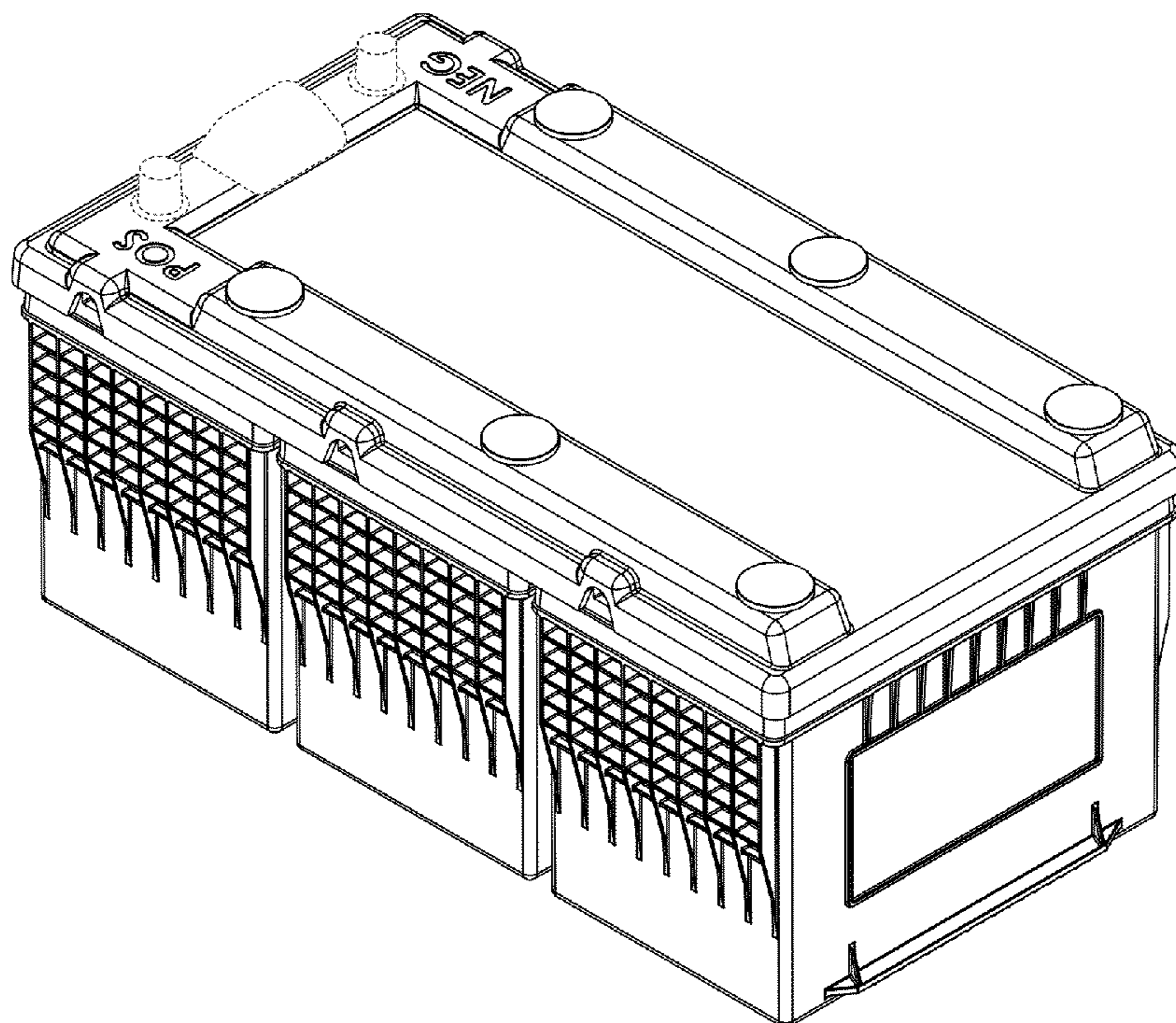
FIG. 5 shows the left view of the lead-acid battery design.

FIG. 6 is a perspective view showing the front, top and right of the lead-acid battery design; and,

FIG. 7 is a perspective view showing the front, top and left of the lead-acid battery design.

The broken lines in the drawings are for the purpose of illustrating unclaimed portions of the lead-acid battery and form no part of the claimed design.

**1 Claim, 4 Drawing Sheets**



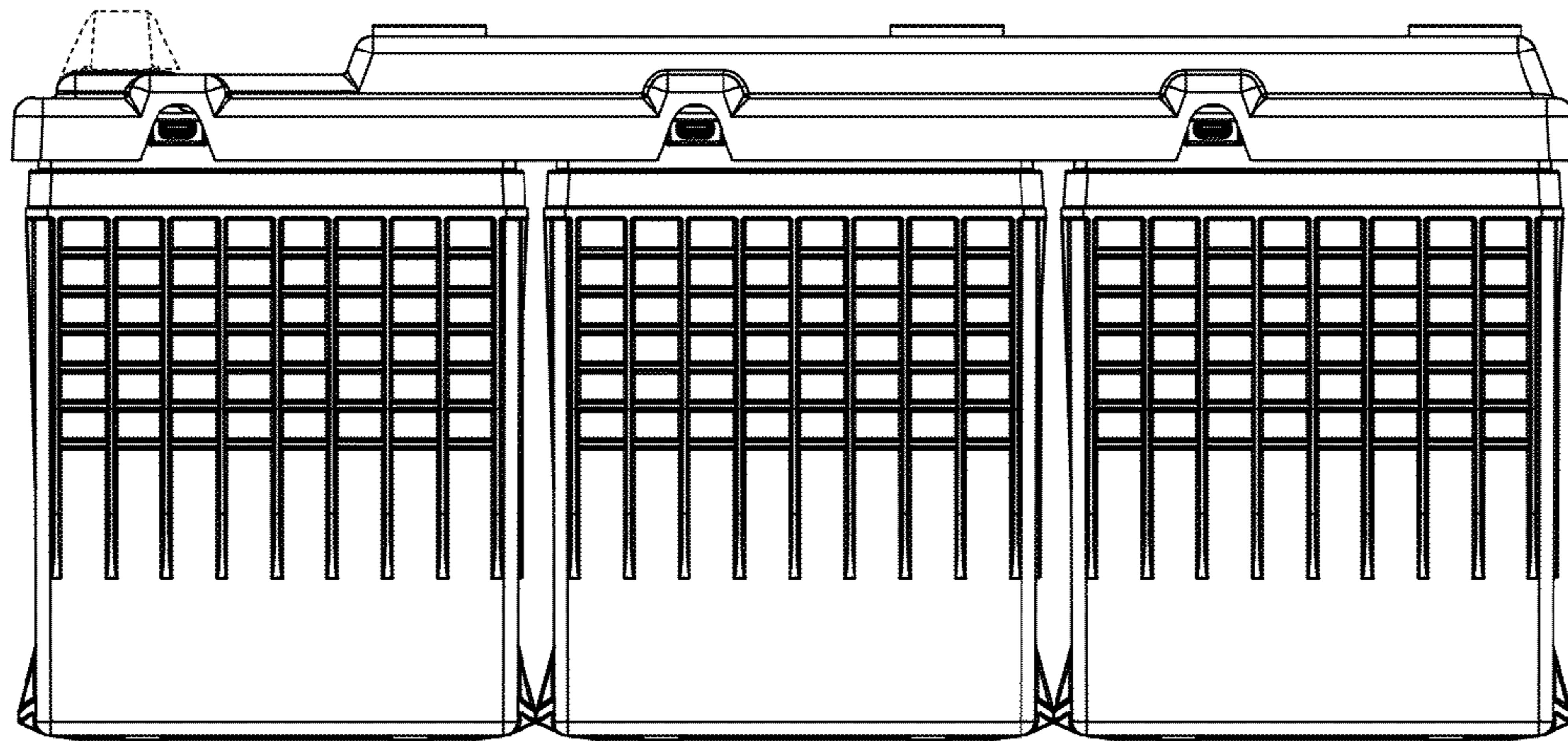


FIG. 1

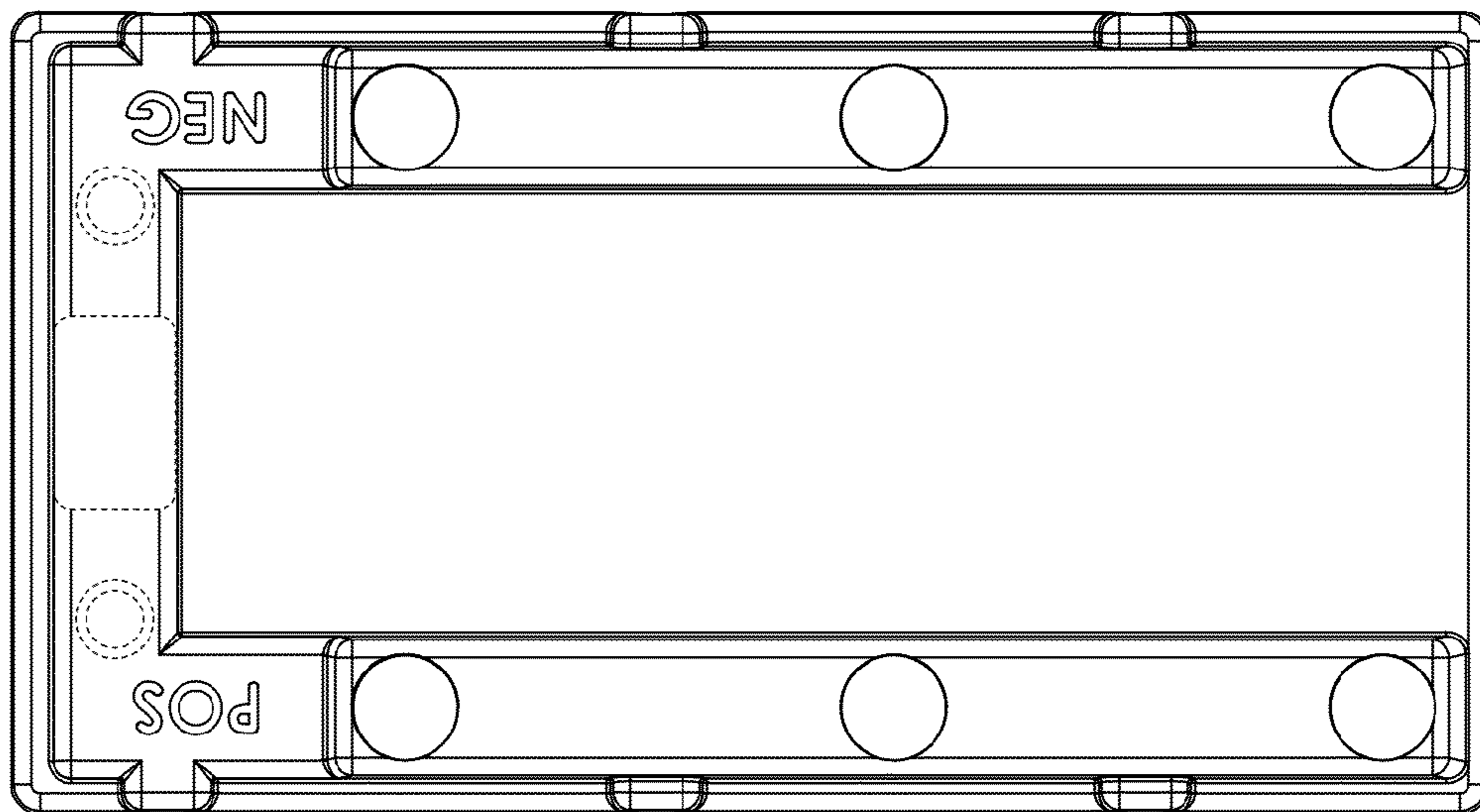


FIG. 2

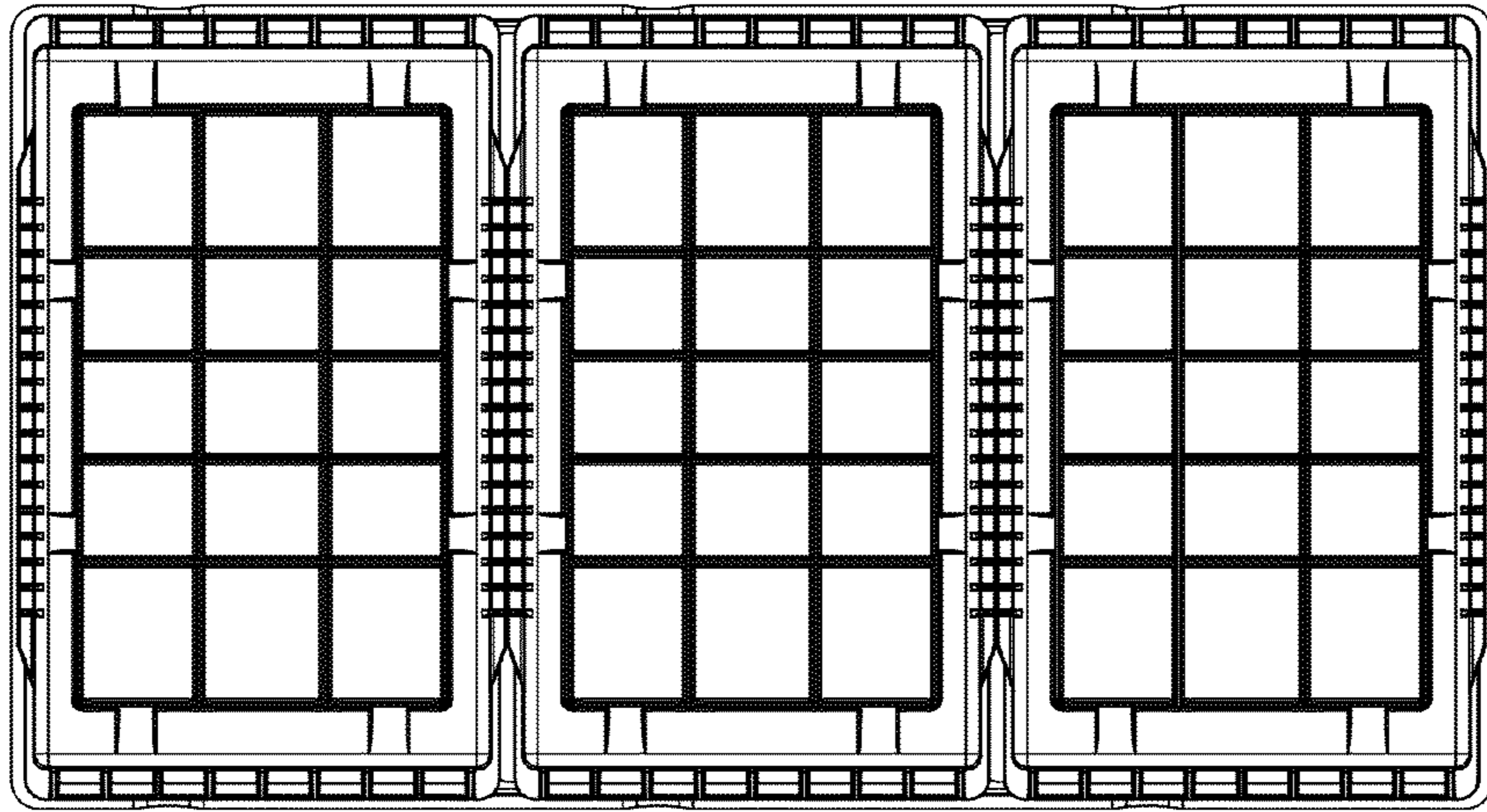


FIG. 3

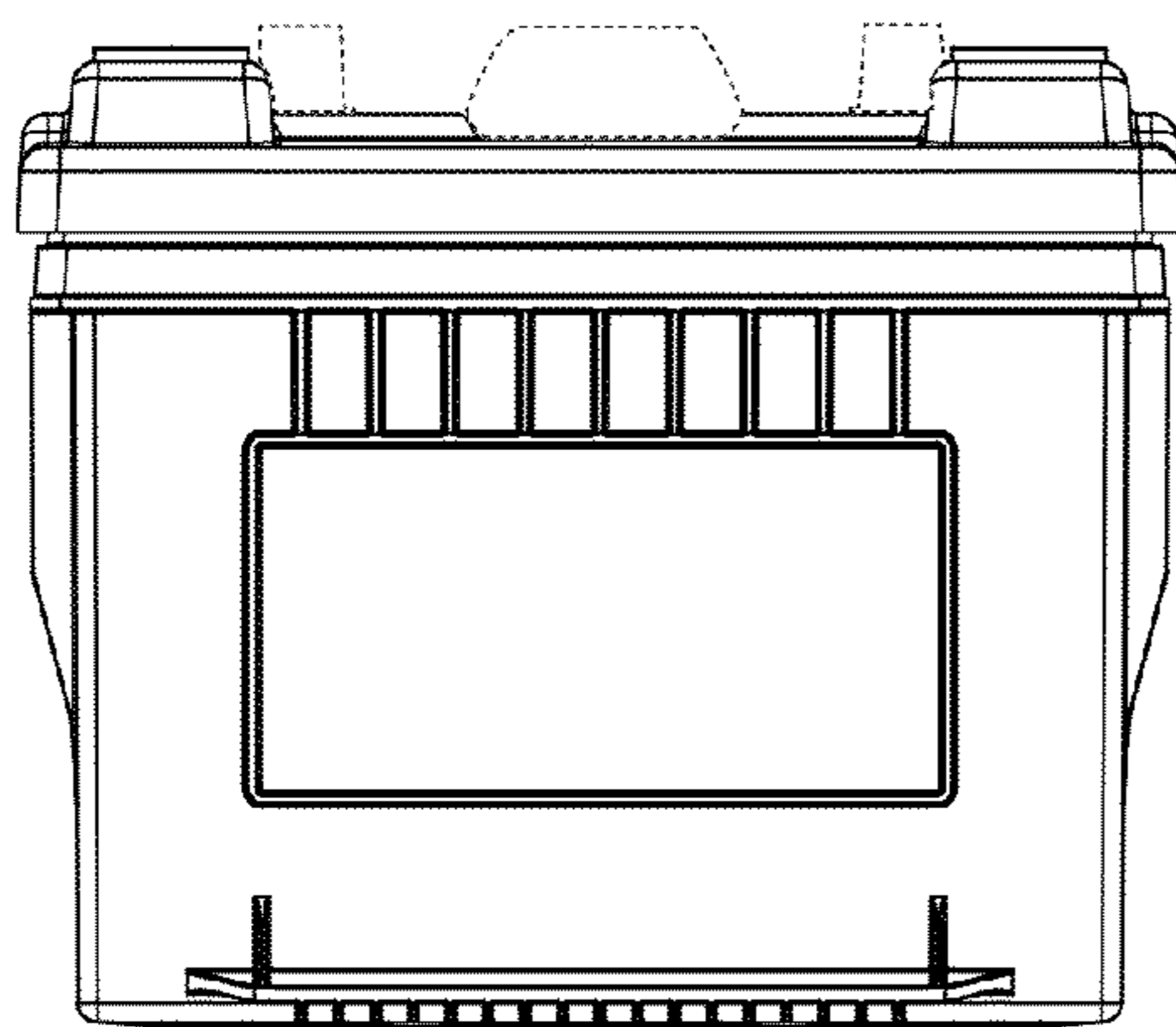


FIG. 4

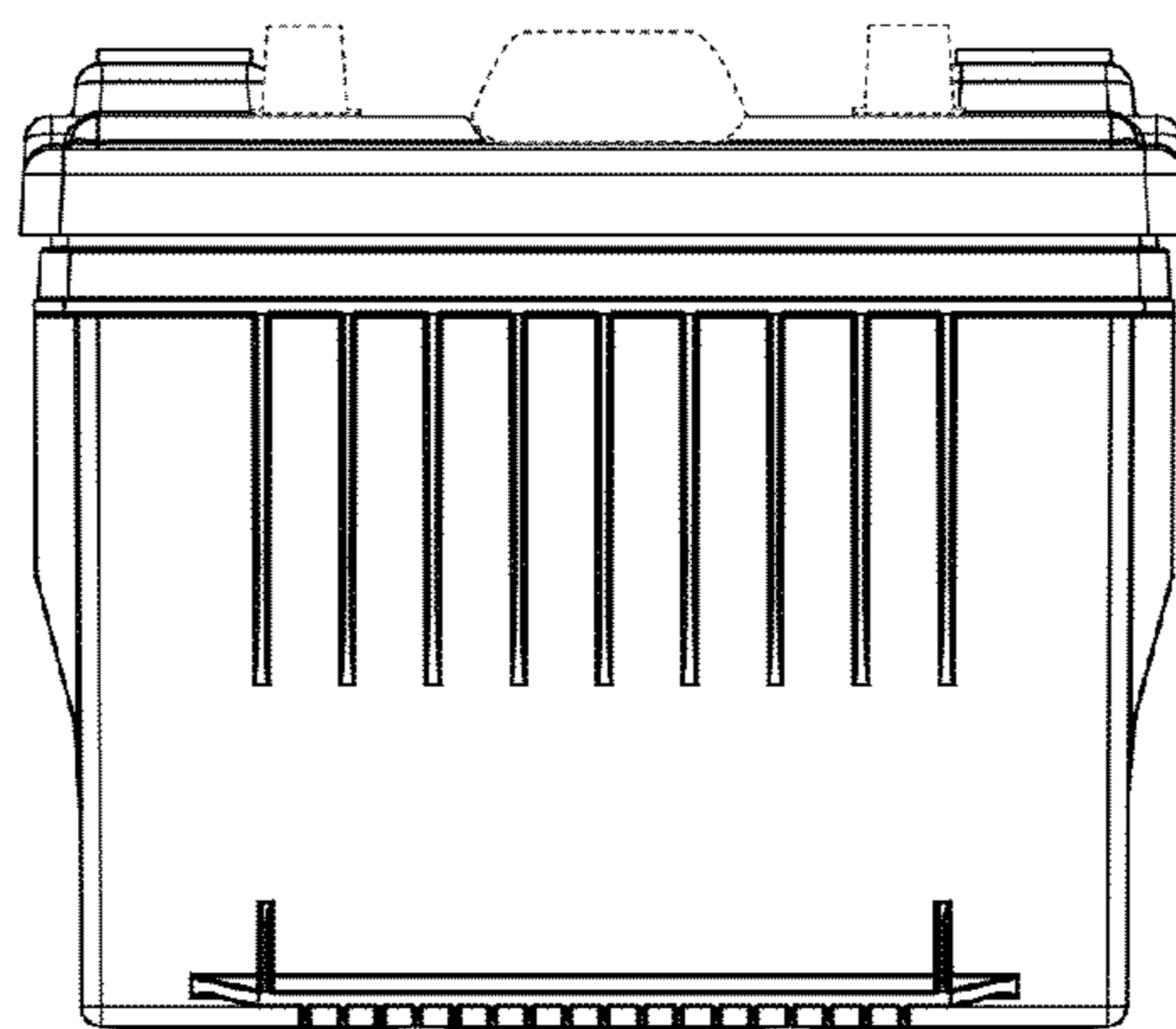


FIG. 5

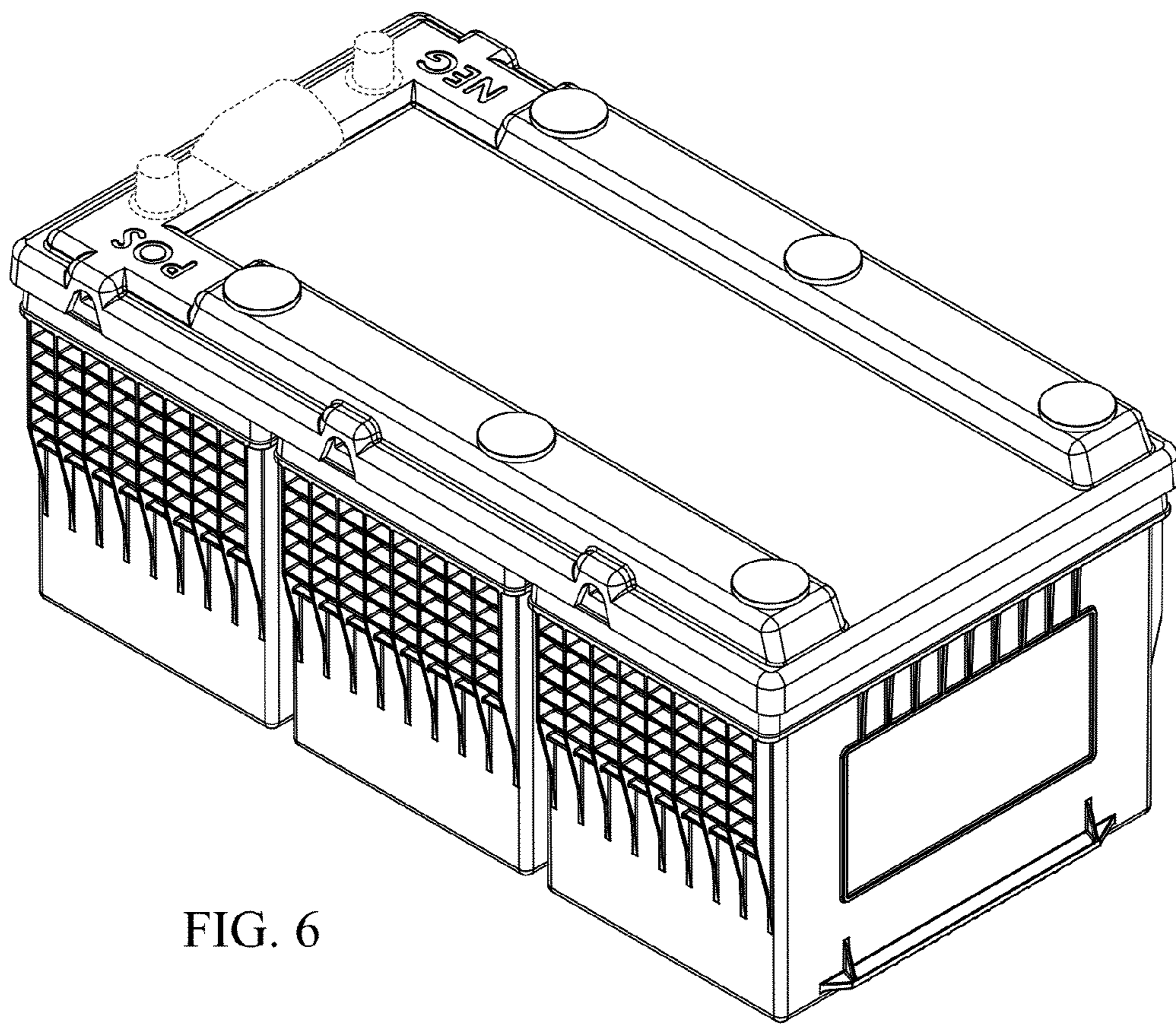


FIG. 6

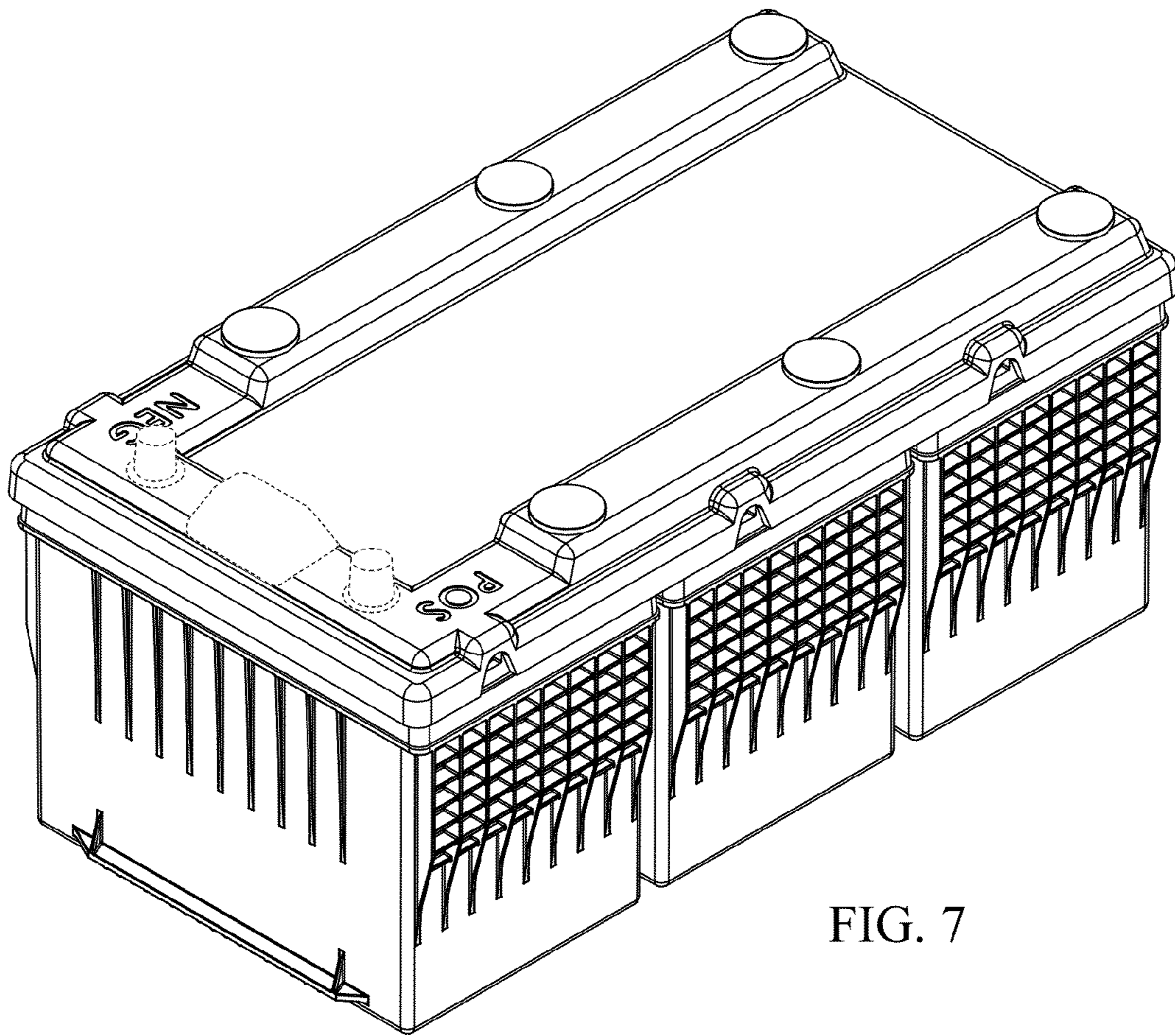


FIG. 7