



US00D718229S

(12) **United States Design Patent**
Thompson et al.

(10) **Patent No.:** **US D718,229 S**

(45) **Date of Patent:** **** Nov. 25, 2014**

(54) **SOLAR PANEL ARRAY**

(75) Inventors: **Tommie Lewis Thompson**, Corinth, TX (US); **Todd James Kerschbaum**, The Woodlands, TX (US); **John Edwin Plumlee**, Katy, TX (US)

(73) Assignee: **Sunora Energy Solutions, LLC**, Phoenix, AZ (US)

(**) Term: **14 Years**

(21) Appl. No.: **29/425,822**

(22) Filed: **Jun. 27, 2012**

(51) **LOC (10) Cl.** **13-02**

(52) **U.S. Cl.**
USPC **D13/102**

(58) **Field of Classification Search**
USPC D13/101, 102, 110, 118, 184, 199;
136/230, 243, 246, 251, 252, 259;
D6/300-302; 126/569-571, 600, 621,
126/623, 680, 906; 248/346.01, 346.02,
248/346.03

See application file for complete search history.

(56) **References Cited**

U.S. PATENT DOCUMENTS

2,896,272	A *	7/1959	Latenser	52/2.18
2,918,709	A *	12/1959	Corcoran	165/49
4,361,134	A *	11/1982	Bowen	126/705
D402,356	S *	12/1998	Hodge	D23/365
D518,966	S *	4/2006	Sakaguchi	D6/302
7,028,964	B2 *	4/2006	Baechle	248/346.01
D572,676	S *	7/2008	Niitsu	D14/126
D611,404	S	3/2010	Mackler		
D611,405	S	3/2010	Mackler		
8,104,203	B2	1/2012	Mackler		
D657,735	S	4/2012	Mackler		
D657,736	S	4/2012	Mackler		
D657,737	S	4/2012	Mackler		
D657,738	S	4/2012	Mackler		
D701,488	S *	3/2014	Lim	D13/102
2005/0109384	A1 *	5/2005	Shingleton et al.	136/244

2008/0308091	A1 *	12/2008	Corio	126/606
2009/0175001	A1 *	7/2009	Mathew et al.	361/679.59
2011/0269087	A1 *	11/2011	DuChateau	432/29
2012/0111317	A1 *	5/2012	Stout	126/600
2012/0199181	A1 *	8/2012	Newman et al.	136/251
2012/0285515	A1 *	11/2012	Sagayama	136/251

(Continued)

Primary Examiner — Derrick Holland

Assistant Examiner — Lauren Calve

(74) *Attorney, Agent, or Firm* — Quarles & Brady LLP

(57) **CLAIM**

The ornamental design for a solar panel array, as shown and described.

DESCRIPTION

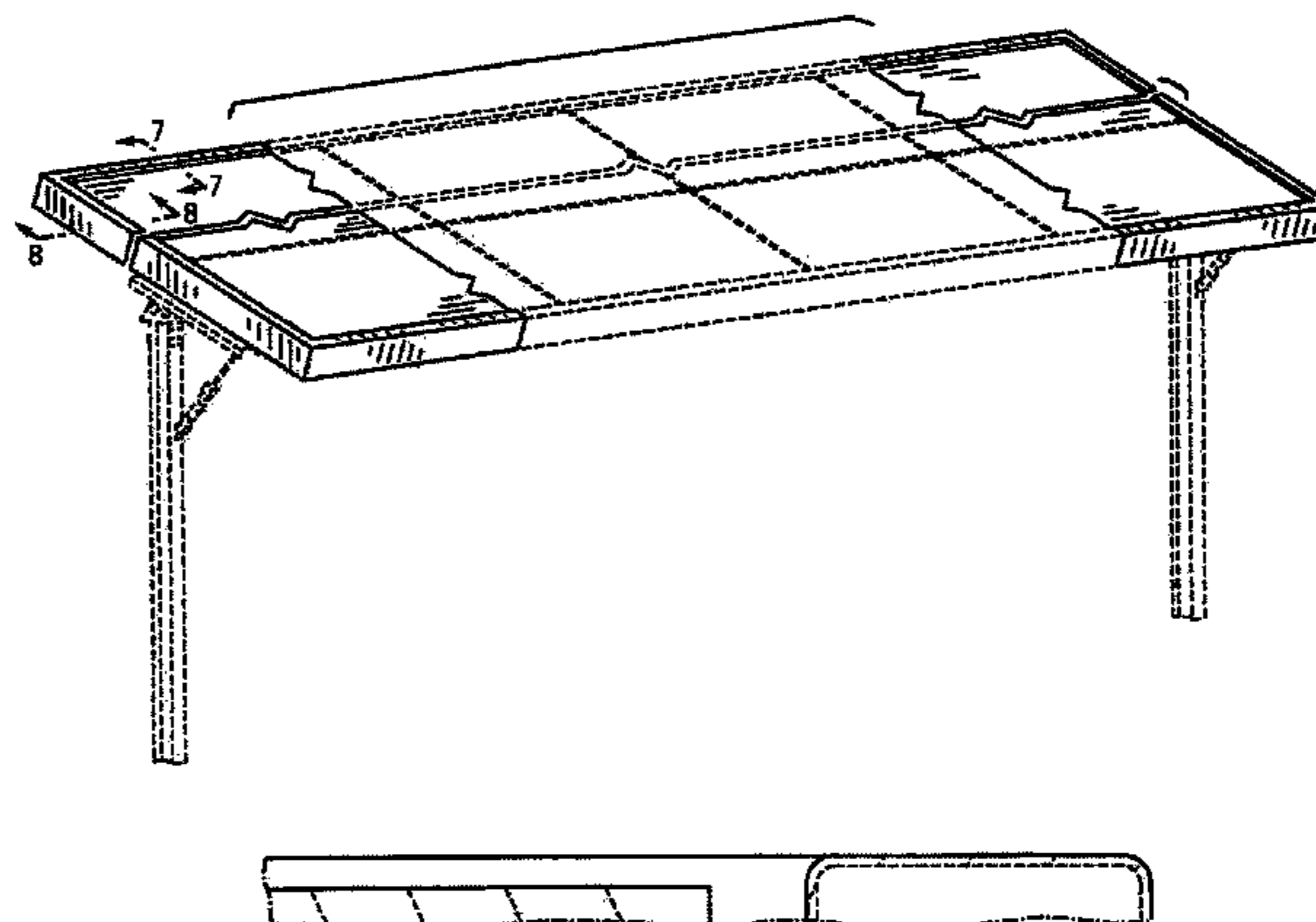
FIG. 1 is a top, left, front perspective view of a solar panel array embodying our new design;
FIG. 2 is a front elevational view thereof;
FIG. 3 is a left side elevational view thereof, the right side elevational view thereof being a mirror image of the left side shown;
FIG. 4 is a rear elevational view thereof;
FIG. 5 is a top plan view thereof;
FIG. 6 is a bottom plan view thereof;
FIG. 7 is a partial sectional view taken along line 7-7 of FIG. 1; and,
FIG. 8 is a partial sectional view taken along line 8-8 of FIG. 1.

The broken lines shown represent unclaimed subject matter and form no part of the claimed design.

The solar panel array is shown broken to represent indeterminate length. The indeterminate portion of the article forms no part of the claim design. Patentability is based only on those portions of the solar panel array that are shown in solid lines.

The nature of this product is a modular solar panel array, including one or more solar panels recessed-mounted in a frame that can be fixed or pivotally mounted for tracking the position of the sun.

1 Claim, 6 Drawing Sheets



US D718,229 S

Page 2

(56)

References Cited

U.S. PATENT DOCUMENTS

2012/0312947	A1 *	12/2012	Shih et al.	248/291.1	2013/0205692	A1 *	8/2013	Hubbard et al.	52/173.3
2013/0008430	A1 *	1/2013	Lee	126/600	2013/0220419	A1 *	8/2013	Barth et al.	136/259
2013/0008485	A1 *	1/2013	Luo	136/246	2013/0312812	A1 *	11/2013	Meyer et al.	136/246
					2014/0014164	A1 *	1/2014	Song et al.	136/251
					2014/0150850	A1 *	6/2014	Hwang	136/251

* cited by examiner

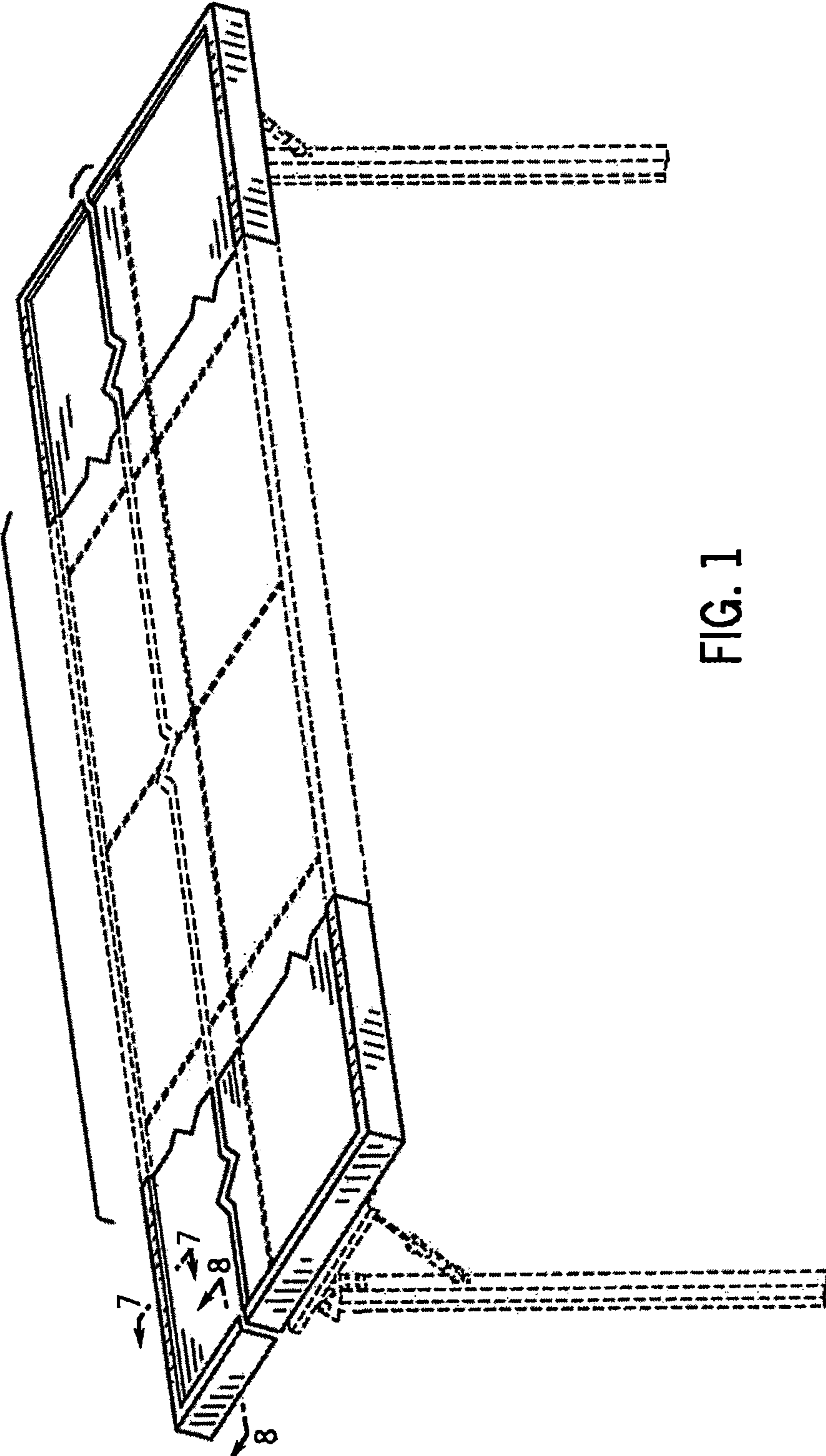


FIG. 1

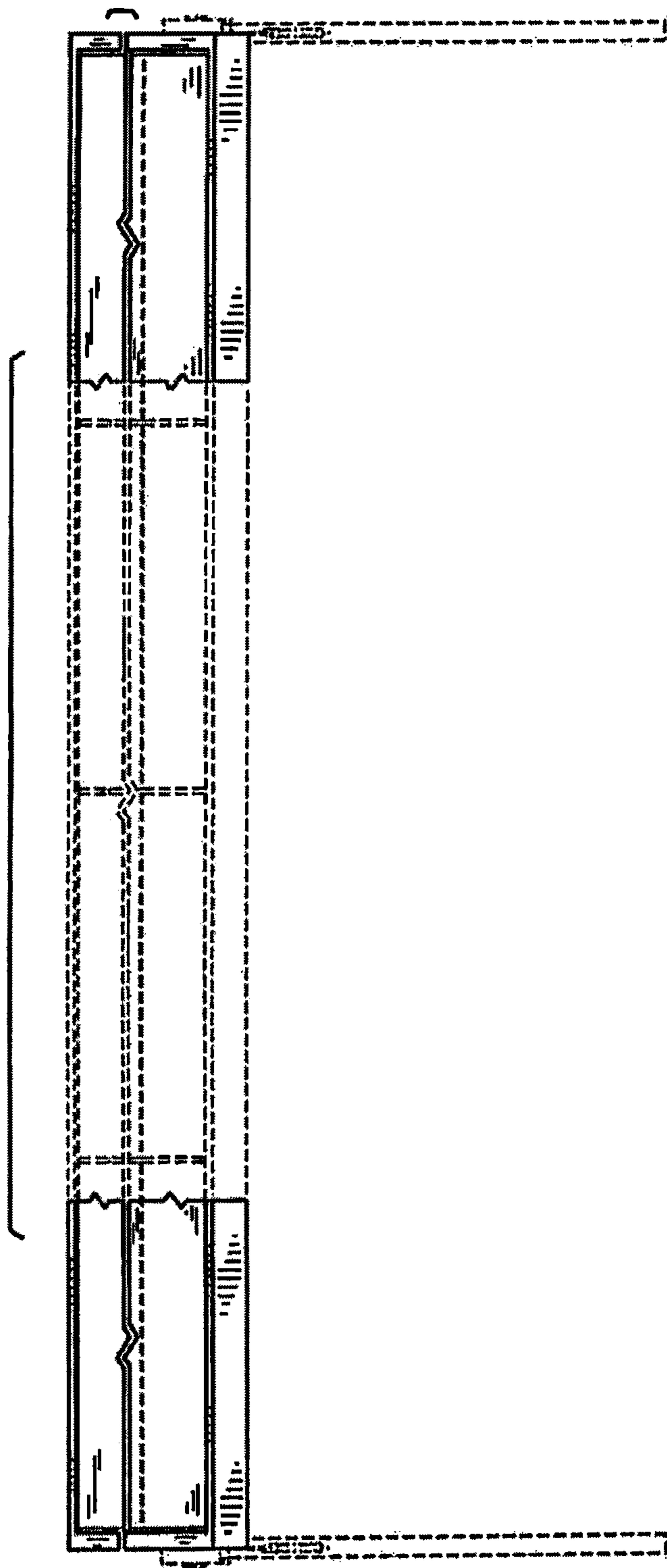


FIG. 2

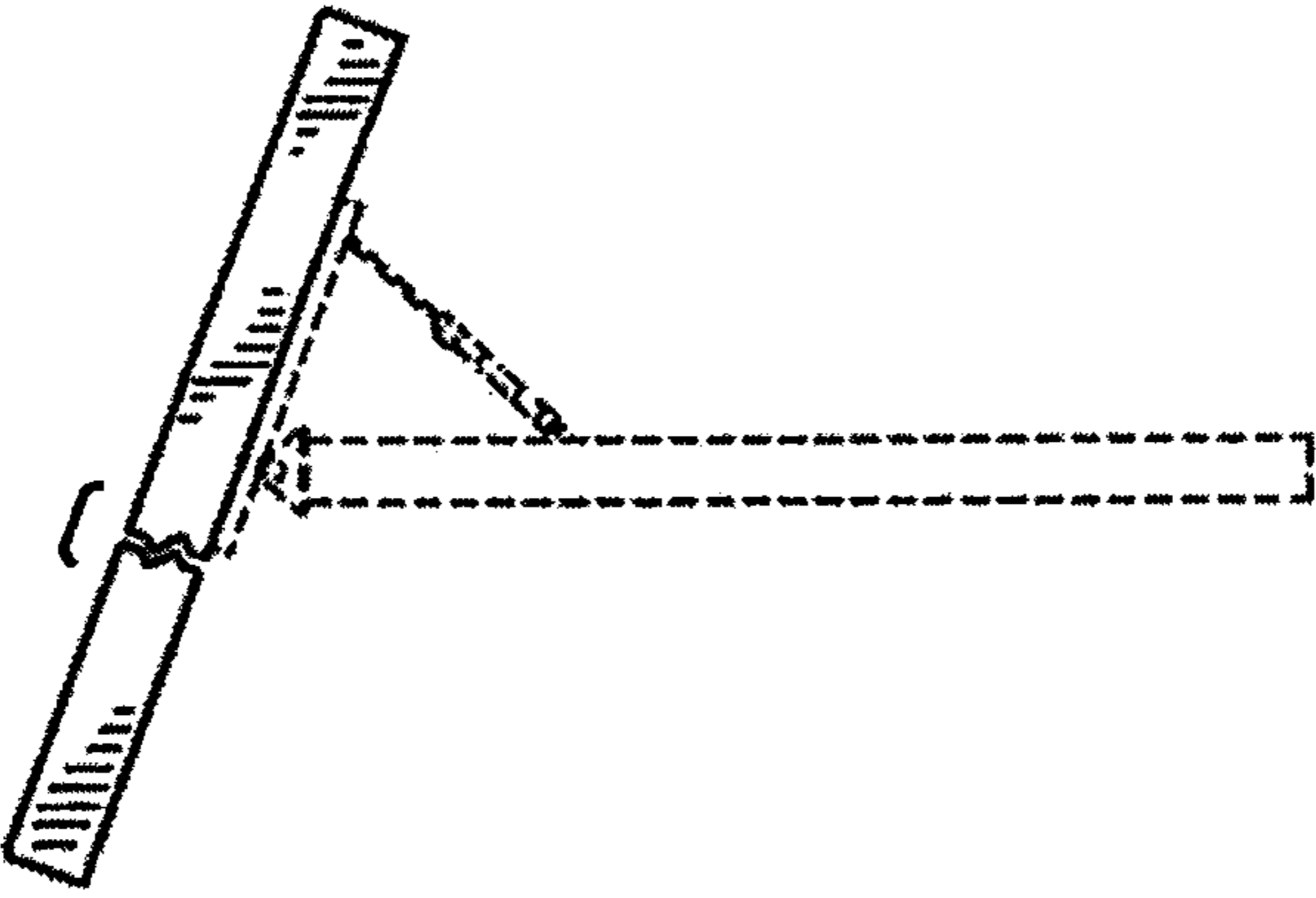


FIG. 3

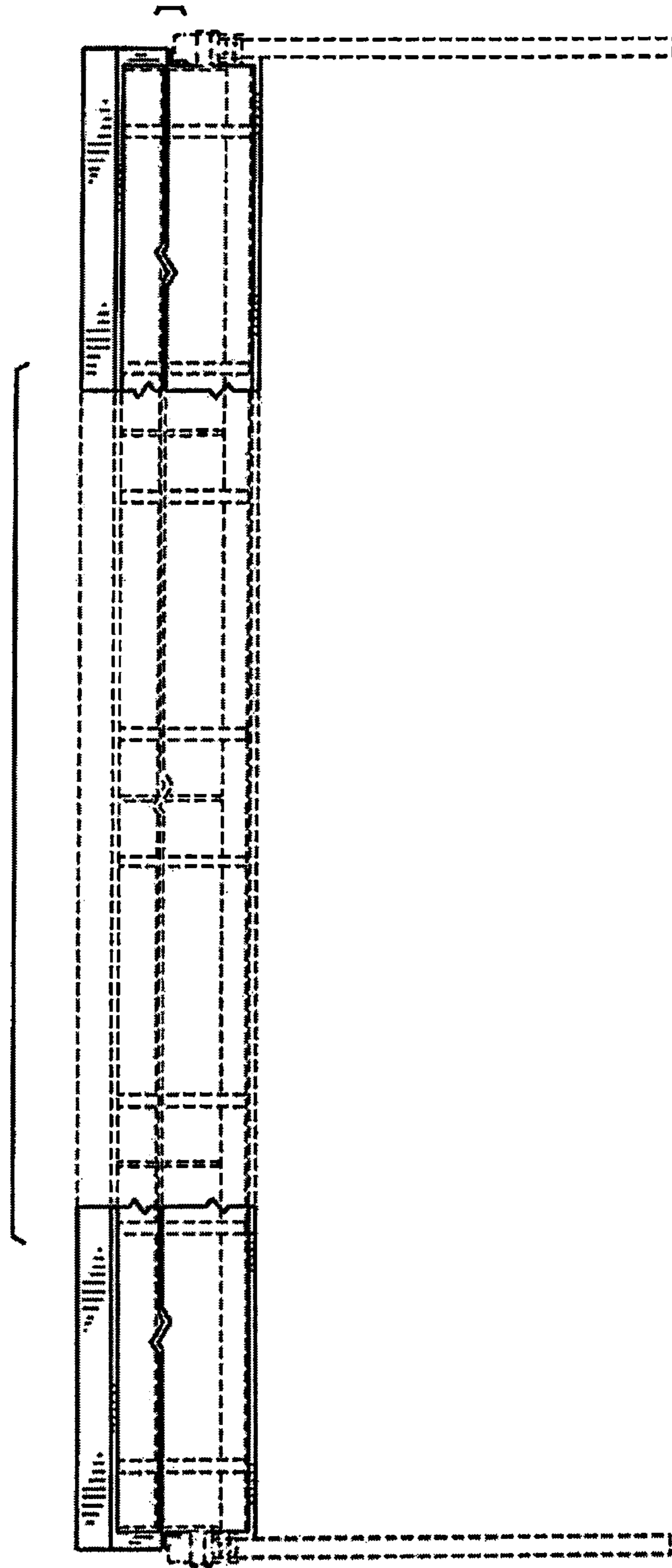


FIG. 4

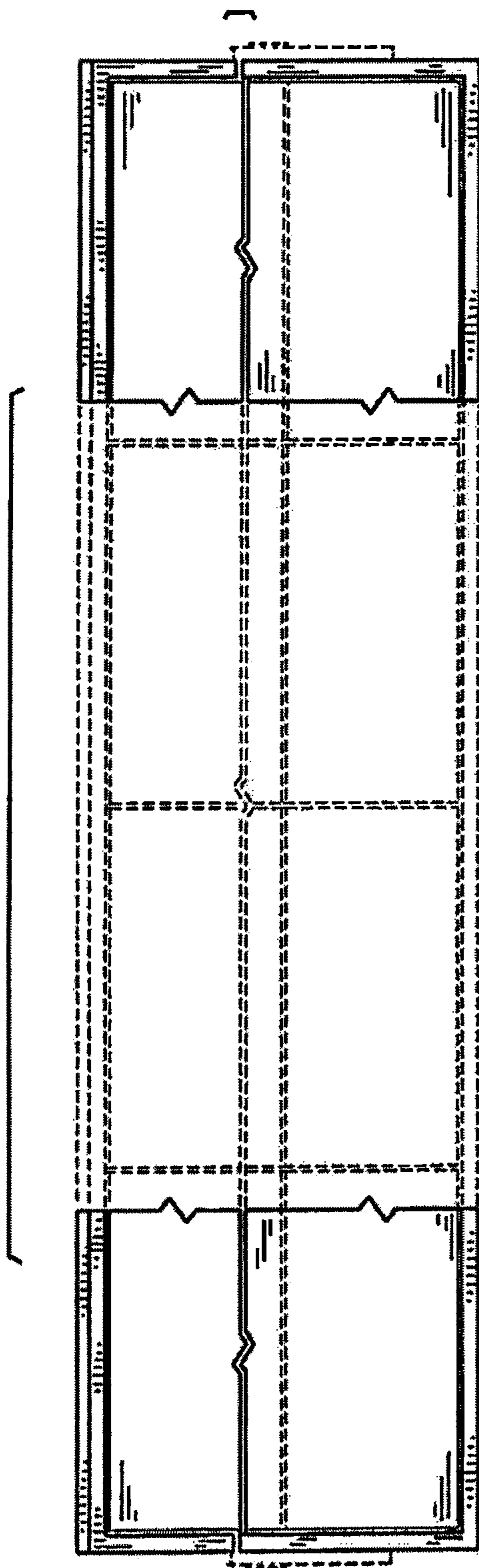


FIG. 5

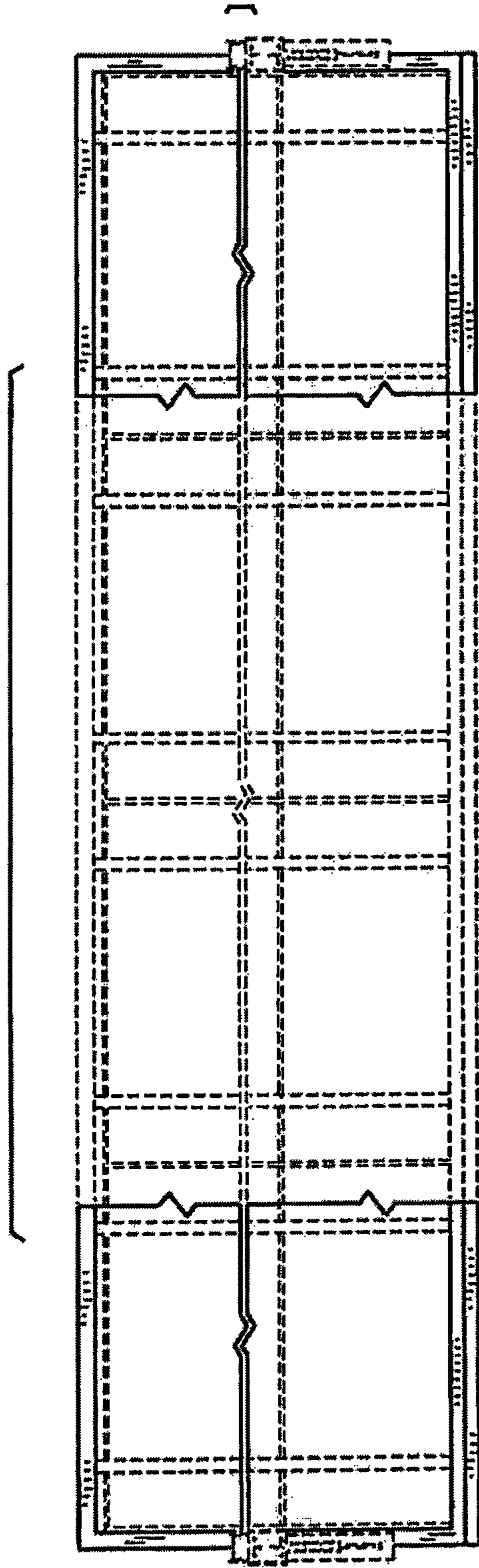


FIG. 6

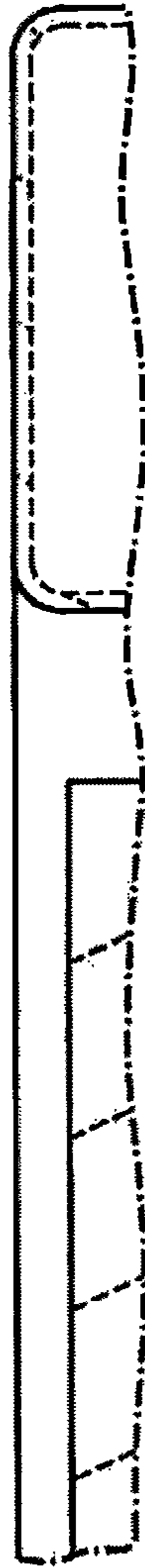


FIG. 7



FIG. 8