



US00D718228S

(12) **United States Design Patent**
Clarkson et al.

(10) **Patent No.:** **US D718,228 S**
(45) **Date of Patent:** **** Nov. 25, 2014**

(54) **SOLAR PANEL SUPPORT**

(75) Inventors: **Brian Bruce Clarkson**, Cobourg (CA);
Brian David Wood, Cobourg (CA)

(73) Assignee: **1541689 Ontario Inc.**, Cobourg (CA)

(**) Term: **14 Years**

(21) Appl. No.: **29/412,481**

(22) Filed: **Feb. 3, 2012**

(51) **LOC (10) Cl.** **13-02**

(52) **U.S. Cl.**
USPC **D13/102**

(58) **Field of Classification Search**

USPC D13/102, 118, 184, 199; D6/449, 512,
D6/519, 540, 574; D8/353, 354; 52/173.3;
126/621-623, 704, 904; 136/244, 251,
136/252, 256; 248/346.01, 346.03, 371,
248/396

See application file for complete search history.

(56) **References Cited**

U.S. PATENT DOCUMENTS

D256,840	S *	9/1980	Katz	D13/102
4,461,279	A *	7/1984	Gaden	126/661
5,706,617	A *	1/1998	Hirai et al.	52/173.3
6,105,316	A *	8/2000	Bottger et al.	52/173.3
6,809,251	B2 *	10/2004	Dinwoodie	136/251
D510,315	S *	10/2005	Shugar et al.	D13/102
6,968,654	B2 *	11/2005	Moulder et al.	52/173.3
D519,444	S *	4/2006	Mascolo	D13/102
D547,262	S *	7/2007	Ullman	D13/102
D560,605	S *	1/2008	McClintock et al.	D13/102
7,434,362	B2 *	10/2008	Liebendorfer	52/173.3
8,336,277	B1 *	12/2012	Rego et al.	52/747.1
2008/0087275	A1 *	4/2008	Sade et al.	126/623
2009/0194098	A1 *	8/2009	Placer	126/704
2009/0266406	A1 *	10/2009	Duke et al.	136/251
2009/0320908	A1 *	12/2009	Botkin et al.	136/251

* cited by examiner

Primary Examiner — Derrick Holland

(74) *Attorney, Agent, or Firm* — Gifford, Krass, Sprinkle,
Anderson & Citkowski, P.C.; Douglas L. Wathen

(57) **CLAIM**

The ornamental design for solar panel support, as shown and described.

DESCRIPTION

FIG. 1 is a perspective view of a solar panel support showing our new design;
 FIG. 2 is an exploded view of the solar panel support shown in FIG. 1;
 FIG. 3 is a perspective view of a first support member of FIG. 1 being shown separated for ease of illustration;
 FIG. 4 is an end view of the support member shown in FIG. 3;
 FIG. 5 is an opposite end view of the support member shown in FIG. 4;
 FIG. 6 is a top plan view of the support member shown in FIG. 3;
 FIG. 7 is a bottom plan view of the support member shown in FIG. 3;
 FIG. 8 is a rear side view of the support member shown in FIG. 3;
 FIG. 9 is a front side view of the support member shown in FIG. 3;
 FIG. 10 is a perspective view of a second support member of FIG. 1 being shown separated for ease of illustration;
 FIG. 11 is an end view of the support member shown in FIG. 10;
 FIG. 12 is an opposite end view of the support member shown in FIG. 11;
 FIG. 13 is a top plan view of the support member shown in FIG. 10;
 FIG. 14 is a bottom plan view of the support member shown in FIG. 10;
 FIG. 15 is a rear side view of the support member shown in FIG. 10;
 FIG. 16 is a front side view of the support member shown in FIG. 10;
 FIG. 17 is a perspective view of a third support member of FIG. 1 being shown separated for ease of illustration;
 FIG. 18 is an end view of the support member shown in FIG. 17;

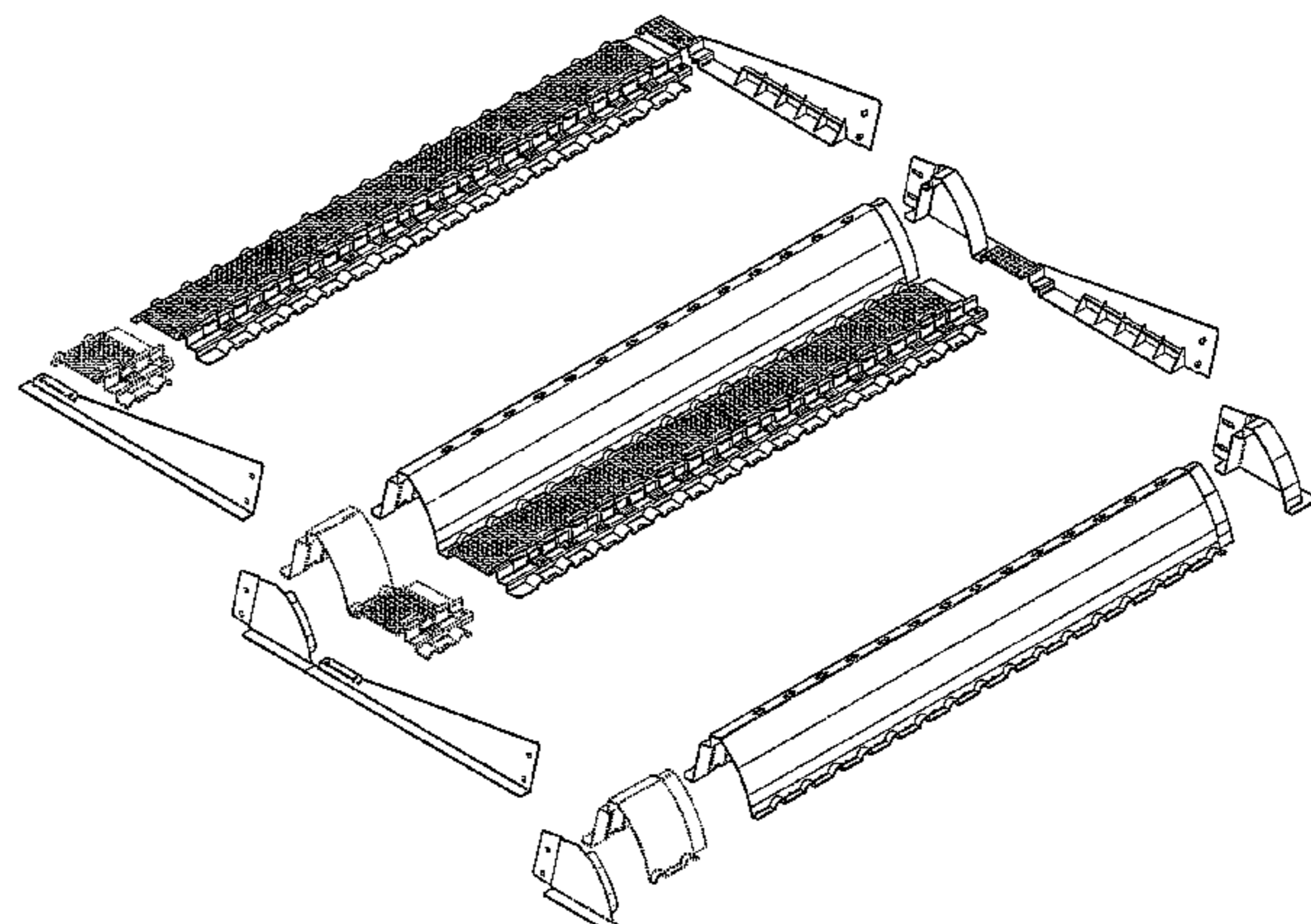
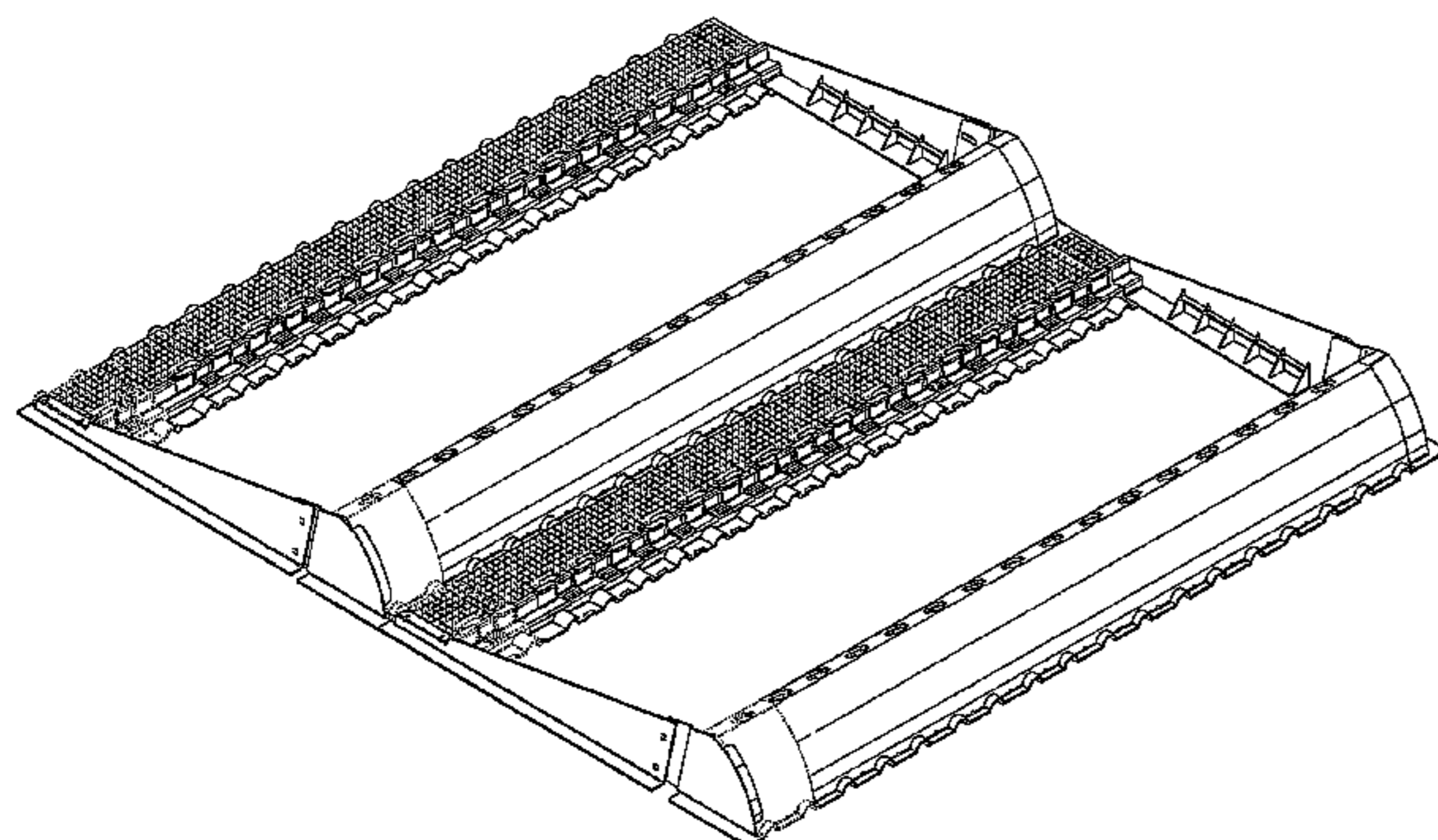


FIG. 19 is an opposite end view of the support member shown in FIG. 18;
FIG. 20 is a top plan view of the support member shown in FIG. 17;
FIG. 21 is a bottom plan view of the support member shown in FIG. 17;
FIG. 22 is a front side view of the support member shown in FIG. 17;
FIG. 23 is a back side view of the support member shown in FIG. 17;
FIG. 24 is a perspective view of a first end piece of FIG. 1 being shown separated for ease of illustration;
FIG. 25 is an end view of the end piece shown in FIG. 24;
FIG. 26 is an opposite end view of the end piece shown in FIG. 25;
FIG. 27 is a top plan view of the end piece shown in FIG. 24;
FIG. 28 is a bottom plan view of the end piece shown in FIG. 24;
FIG. 29 is a front side view of the end piece shown in FIG. 24;
FIG. 30 is a back side view of the end piece shown in FIG. 24;
FIG. 31 is a perspective view of a second end piece of FIG. 1 being shown separated for ease of illustration;
FIG. 32 is an end view of the end piece shown in FIG. 31;
FIG. 33 is an opposite end view of the end piece shown in FIG. 32;
FIG. 34 is a bottom plan view of the end piece shown in FIG. 31;
FIG. 35 is a top plan view of the end piece shown in FIG. 31;
FIG. 36 is a front side view of the end piece shown in FIG. 31;
FIG. 37 is a back side view of the end piece shown in FIG. 31;
FIG. 38 is a perspective view of a third end piece of FIG. 1 being shown separated for ease of illustration;
FIG. 39 is an end view of the end piece shown in FIG. 38;
FIG. 40 is an opposite end view of the end piece shown in FIG. 39;
FIG. 41 is a top plan view of the end piece shown in FIG. 38;

FIG. 42 is a bottom plan view of the end piece shown in FIG. 38;
FIG. 43 is a front side view of the end piece shown in FIG. 38;
FIG. 44 is a back side view of the end piece shown in FIG. 38;
FIG. 45 is a perspective view of a fourth end piece of FIG. 1 being shown separated for ease of illustration;
FIG. 46 is an end view of the end piece shown in FIG. 45;
FIG. 47 is an opposite end view of the end piece shown in FIG. 46;
FIG. 48 is a top plan view of the end piece shown in FIG. 45;
FIG. 49 is a bottom plan view of the end piece shown in FIG. 45;
FIG. 50 is a front side view of the end piece shown in FIG. 45;
FIG. 51 is a back side view of the end piece shown in FIG. 45;
FIG. 52 is a perspective view of a first end cap of FIG. 1 being shown separated for ease of illustration;
FIG. 53 is an end view of the end cap shown in FIG. 52;
FIG. 54 is an opposite end view of the end cap shown in FIG. 53;
FIG. 55 is a top plan view of the end cap shown in FIG. 52;
FIG. 56 is a bottom plan view of the end cap shown in FIG. 52;
FIG. 57 is a front side view of the end cap shown in FIG. 52;
FIG. 58 is a back side view of the end cap shown in FIG. 52;
FIG. 59 is a perspective view of a second end cap of FIG. 1 being shown separated for ease of illustration;
FIG. 60 is an end view of the end cap shown in FIG. 59;
FIG. 61 is an opposite end view of the end cap shown in FIG. 60;
FIG. 62 is a top plan view of the end cap shown in FIG. 59;
FIG. 63 is a bottom plan view of the end cap shown in FIG. 59;
FIG. 64 is a front side view of the end cap shown in FIG. 59;
and,
FIG. 65 is a rear side view of the end cap shown in FIG. 59.
The broken lines shown in the figures are for environmental purposes only and form no part of the claimed design.

1 Claim, 32 Drawing Sheets

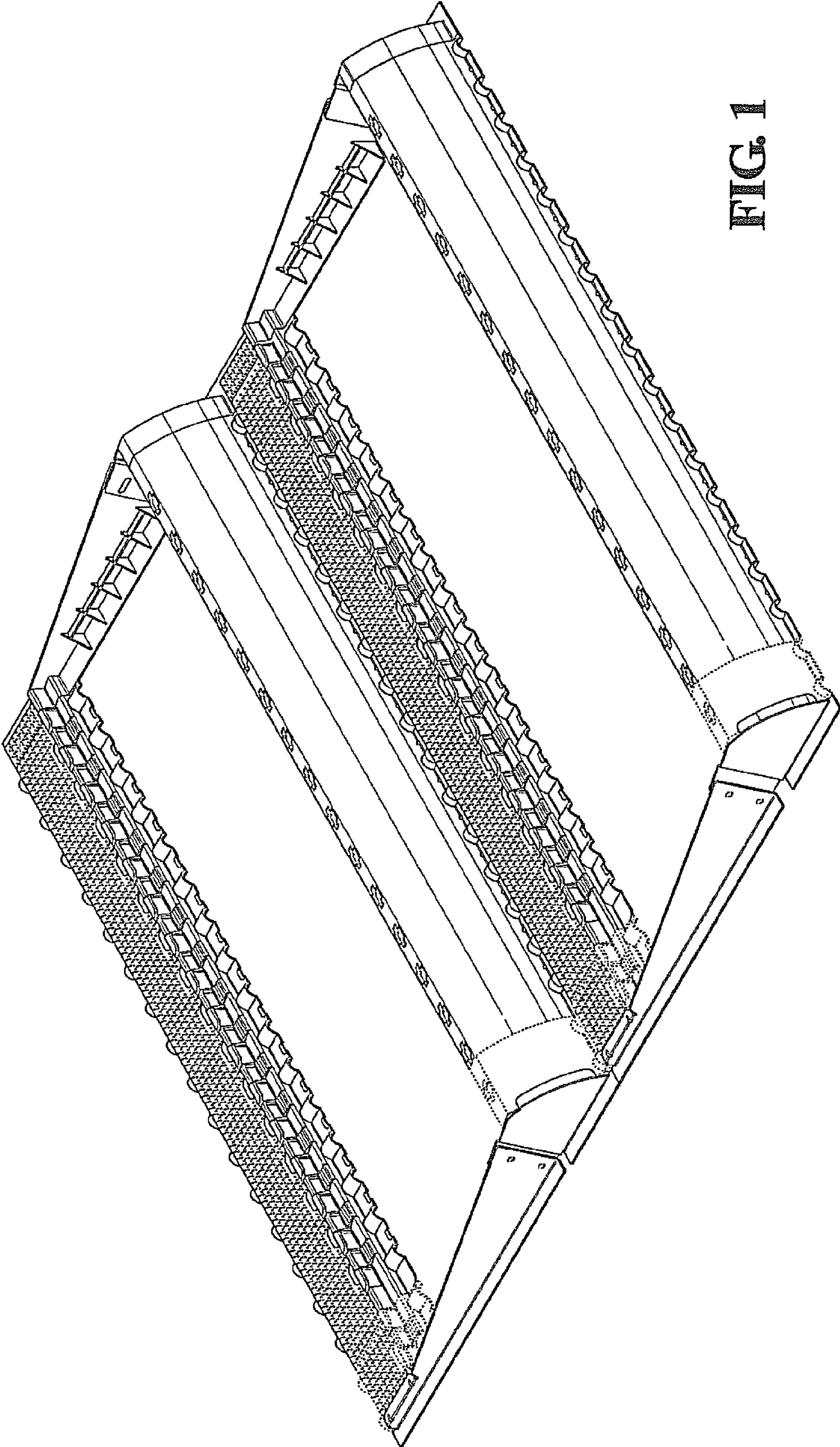


FIG. 1

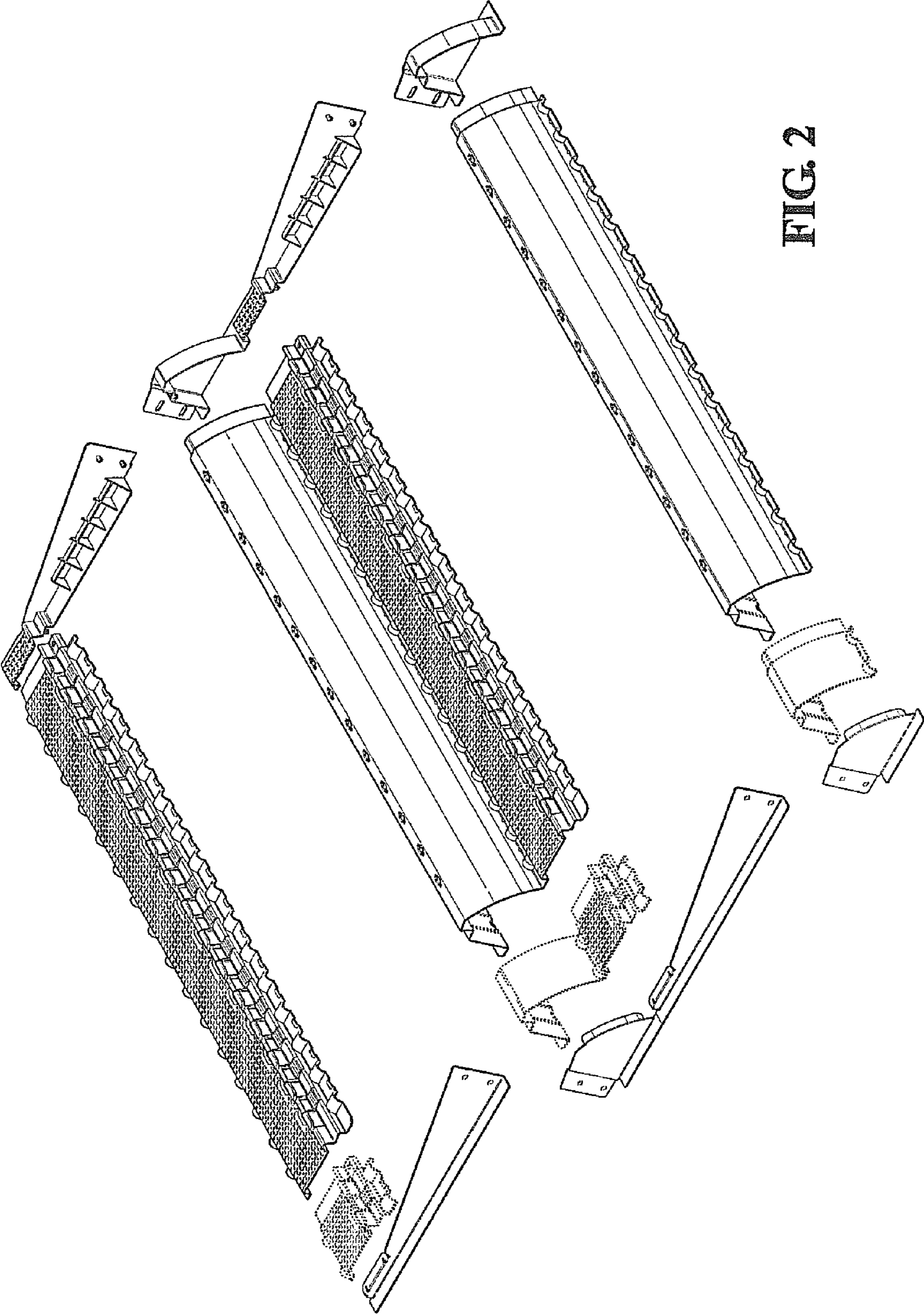


FIG. 2

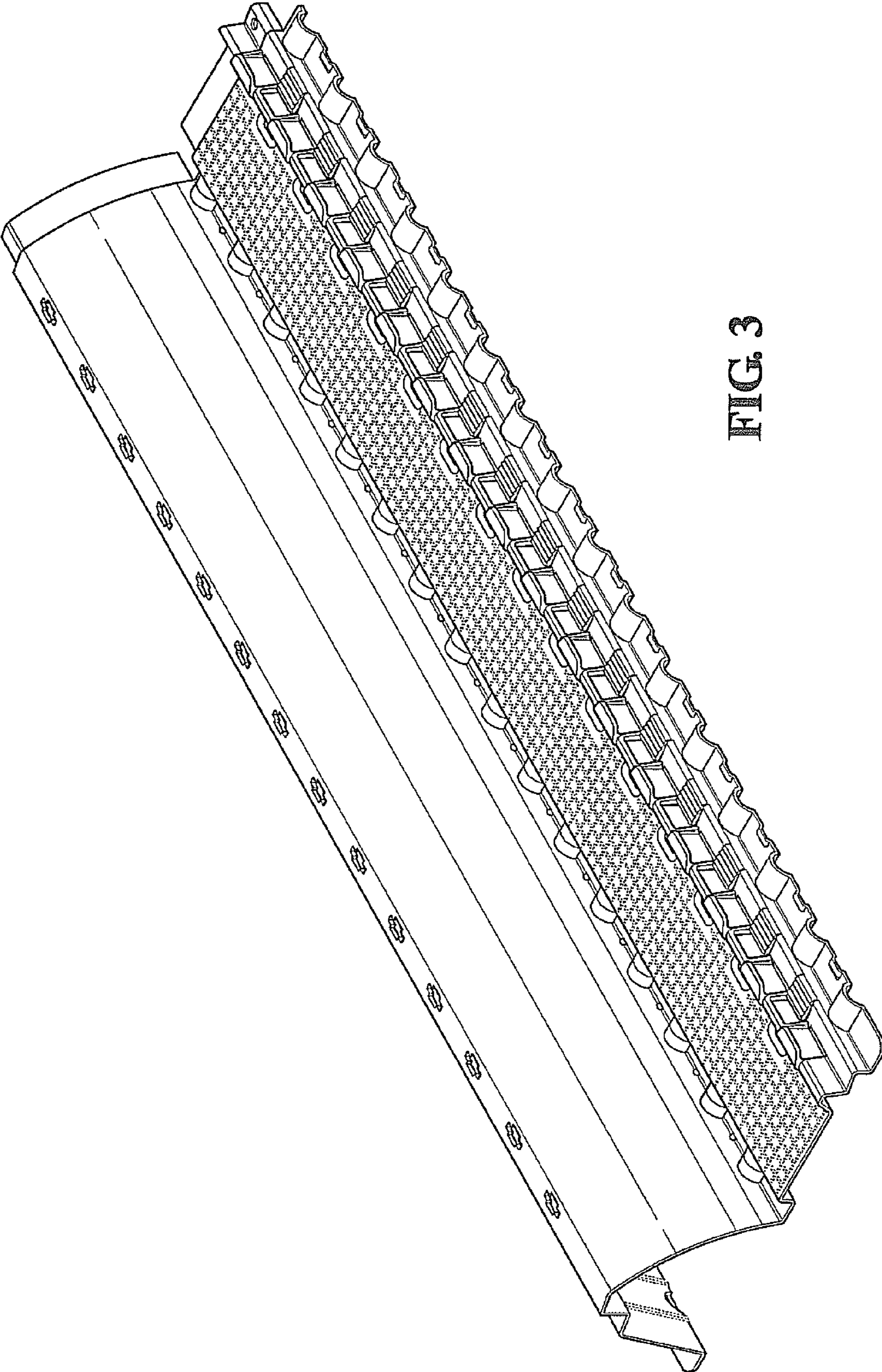


FIG. 3

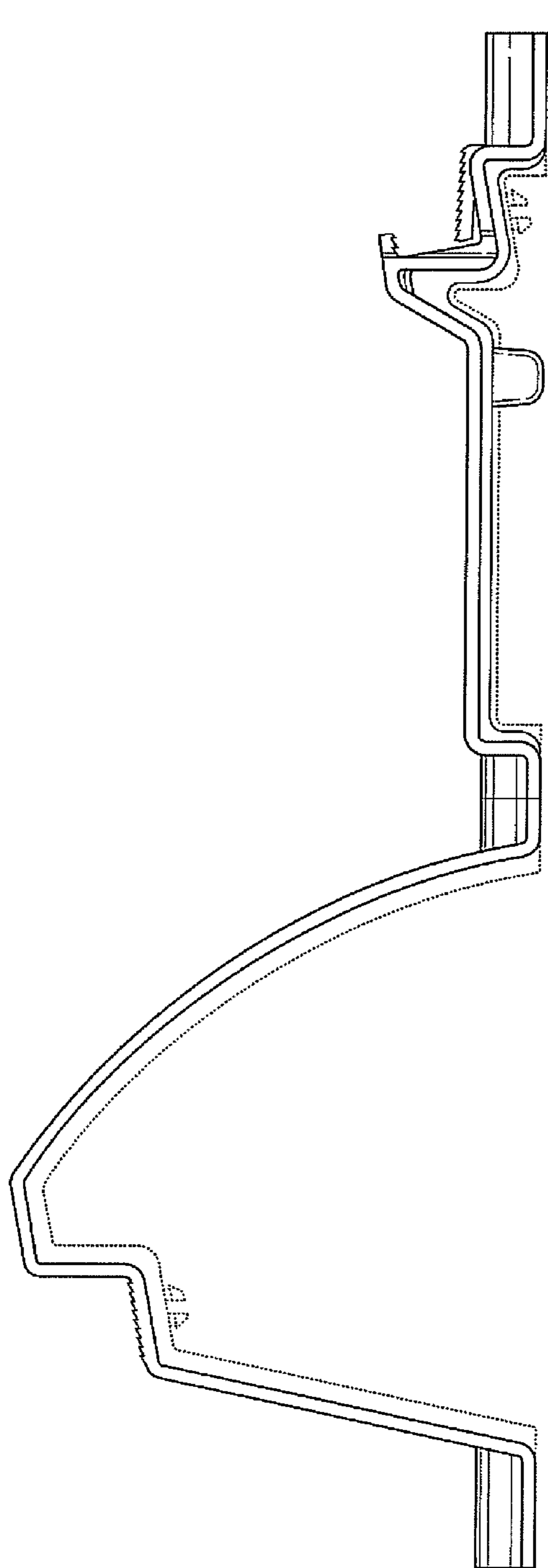


FIG. 4

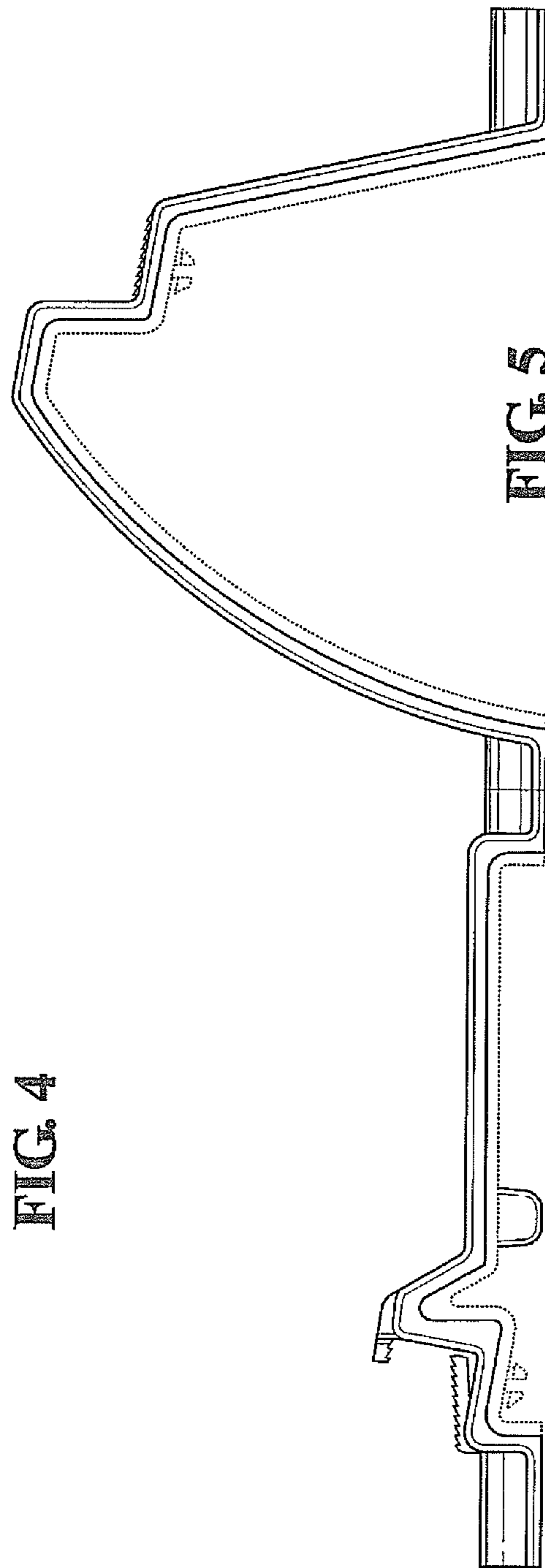


FIG. 5

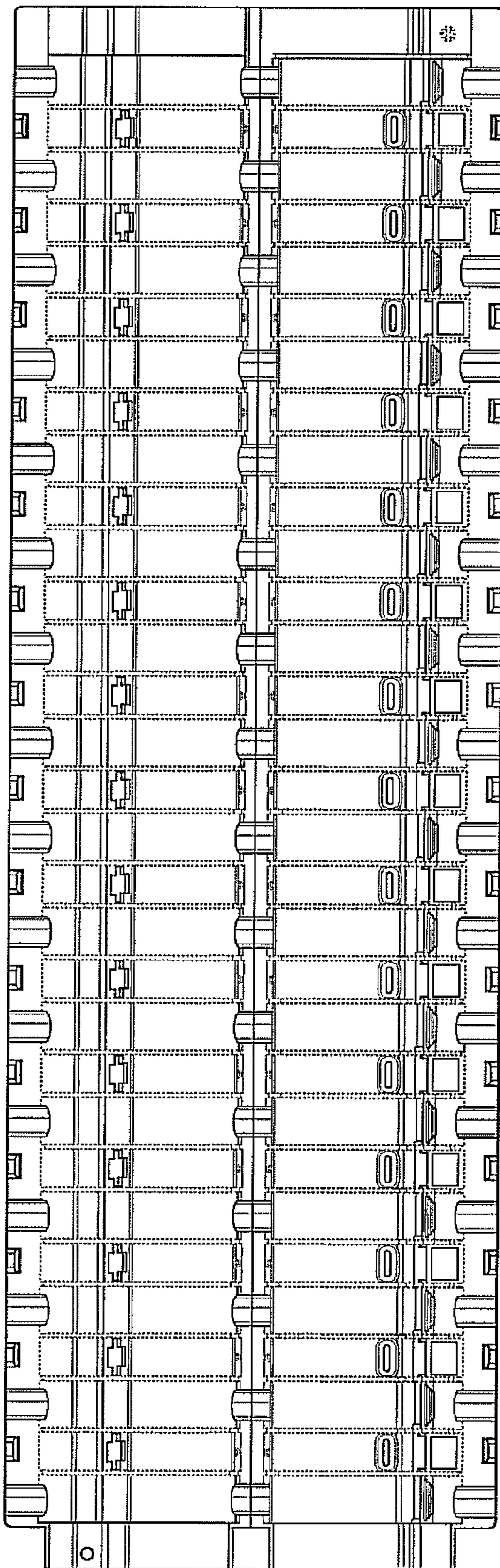


FIG. 7

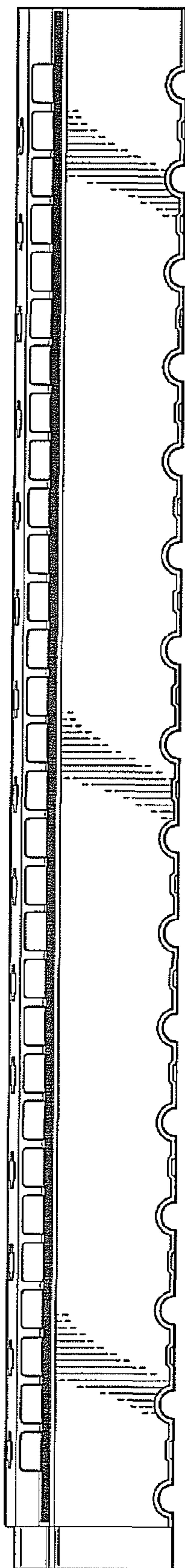


FIG. 8

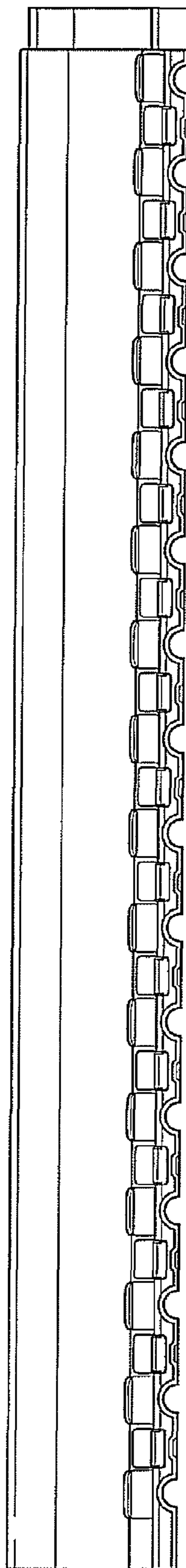


FIG. 9

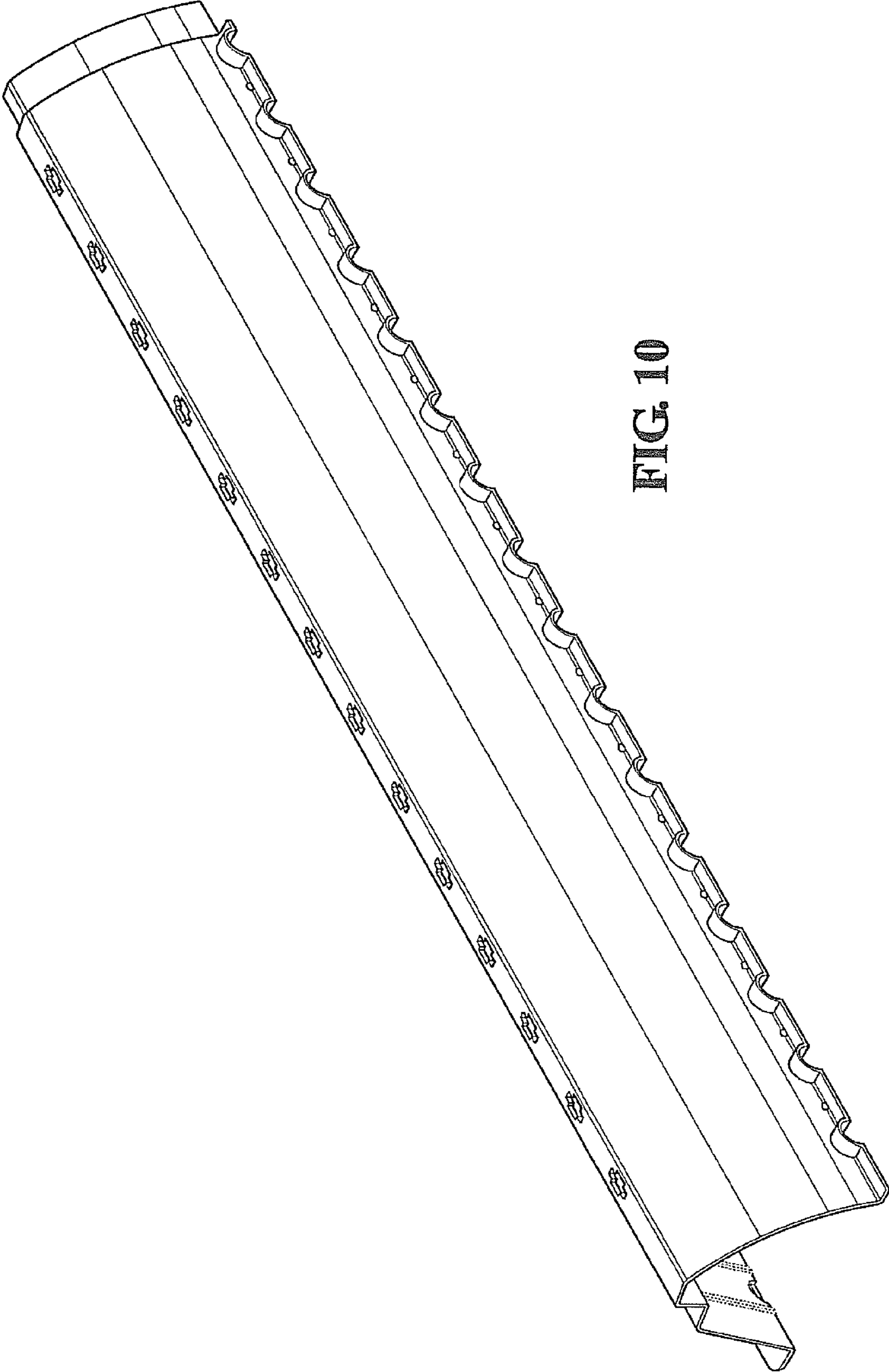


FIG. 10

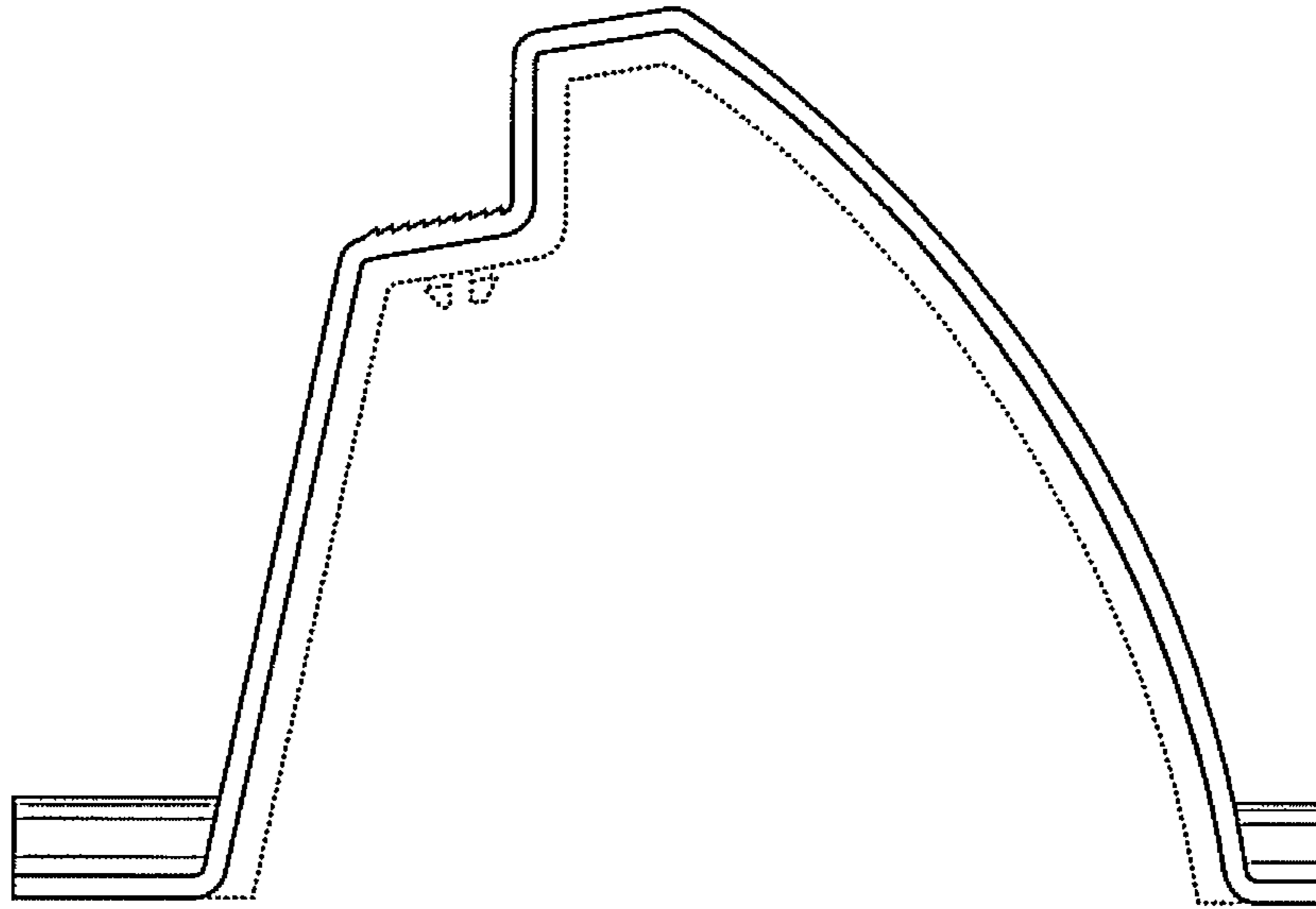


FIG. 11

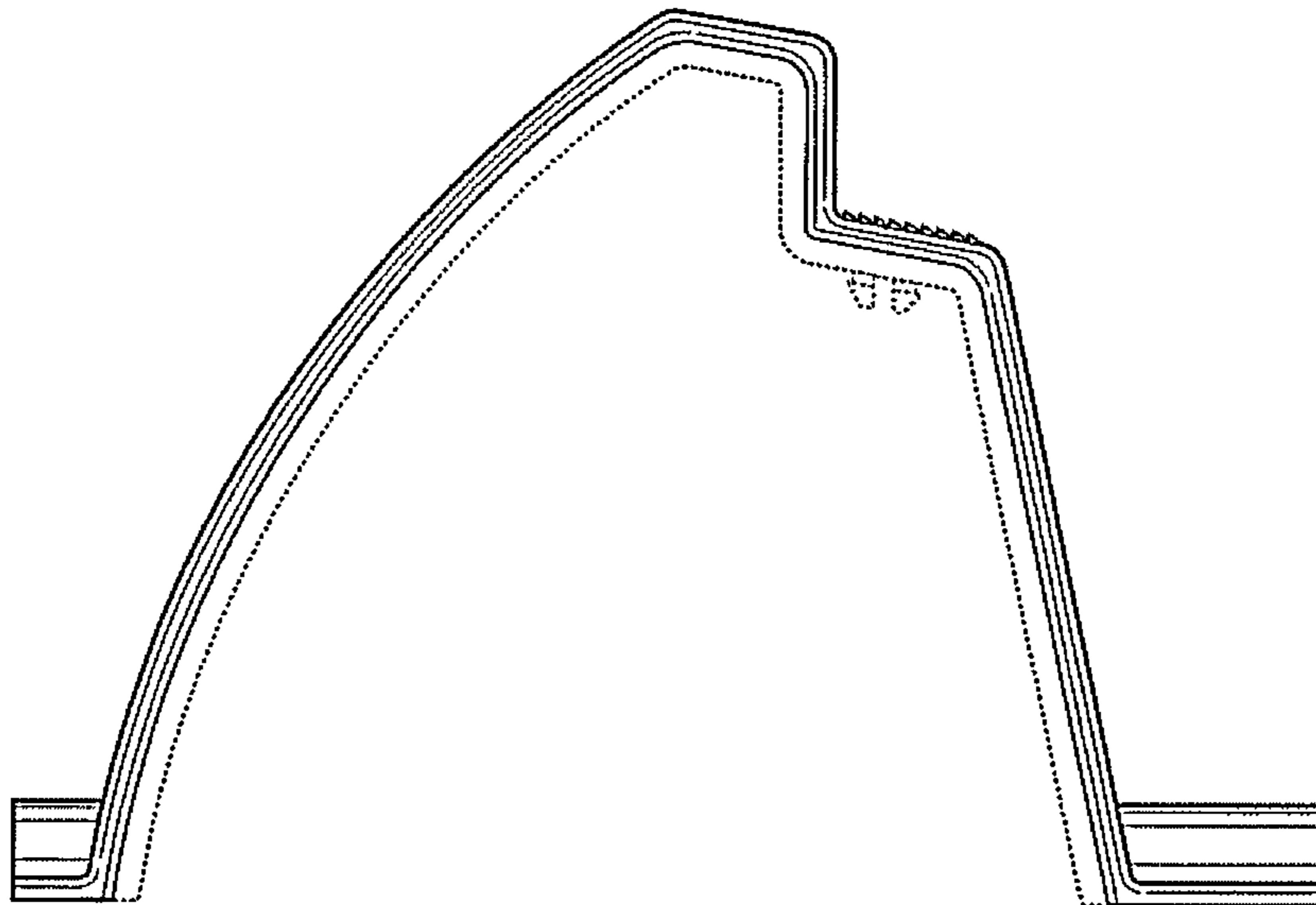


FIG. 12

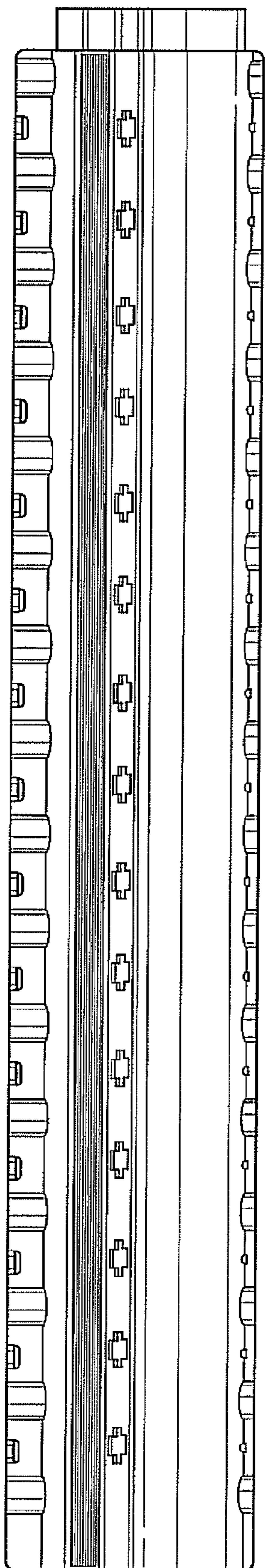


FIG. 13

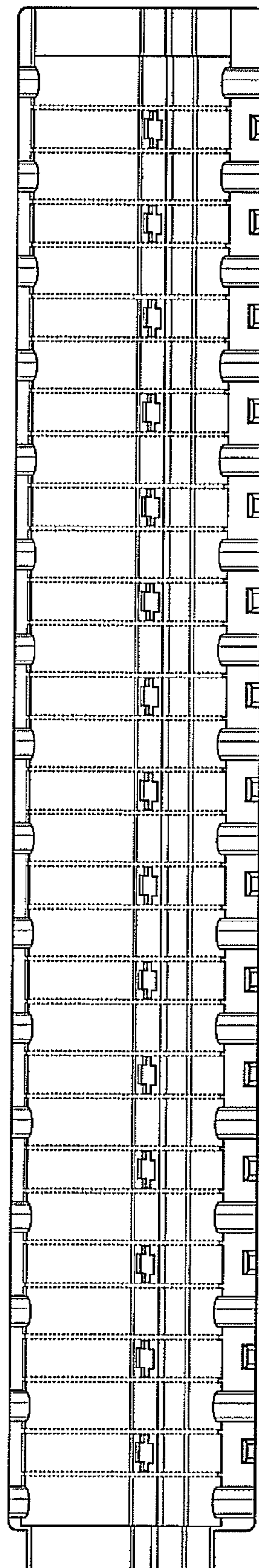


FIG. 14

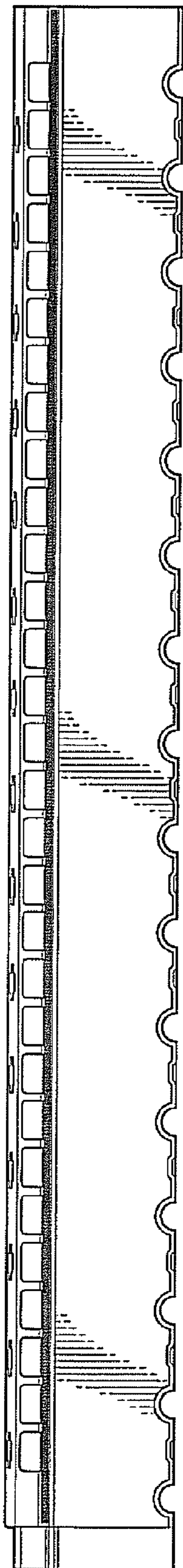


FIG. 15

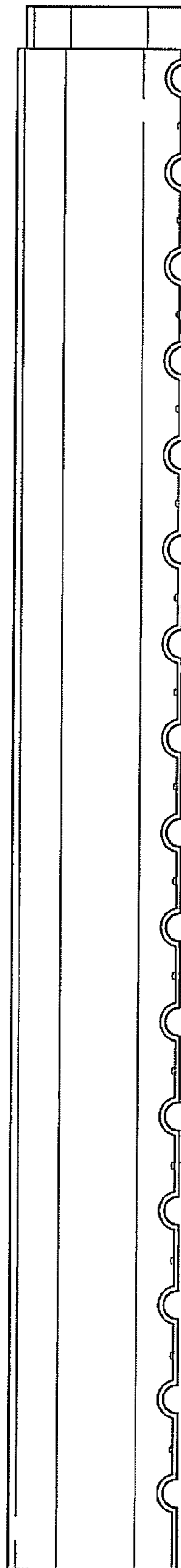


FIG. 16

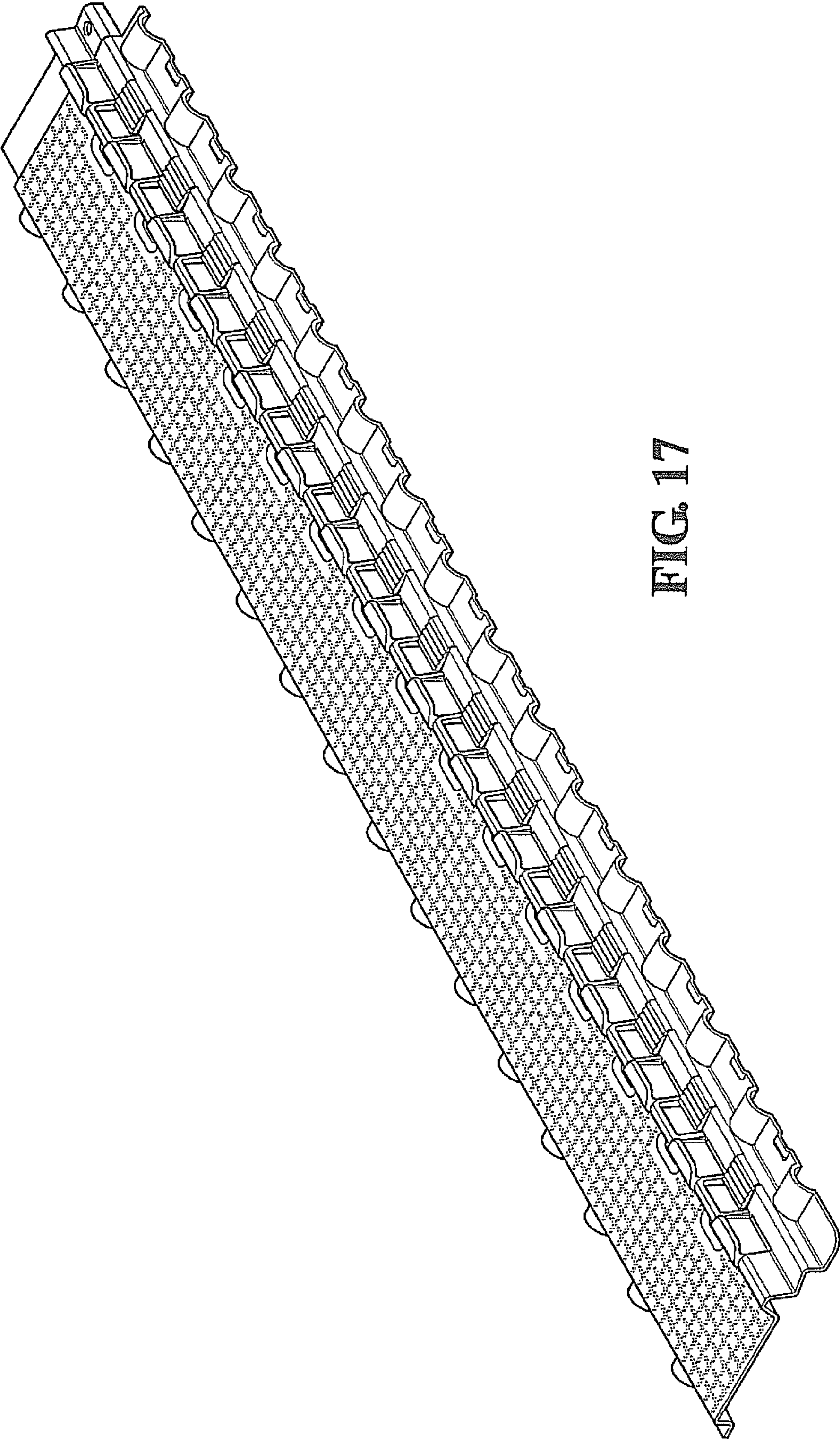


FIG. 17

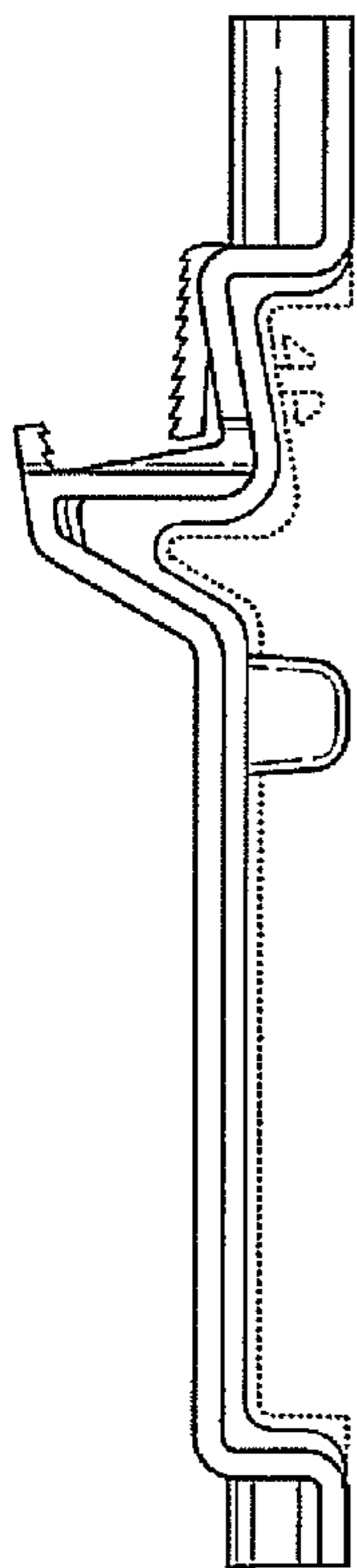


FIG. 18

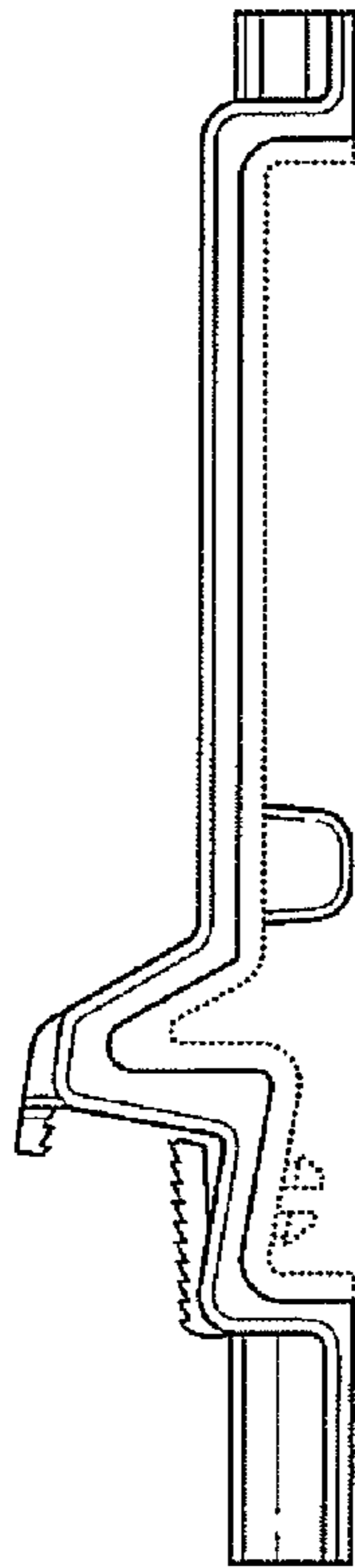


FIG. 19

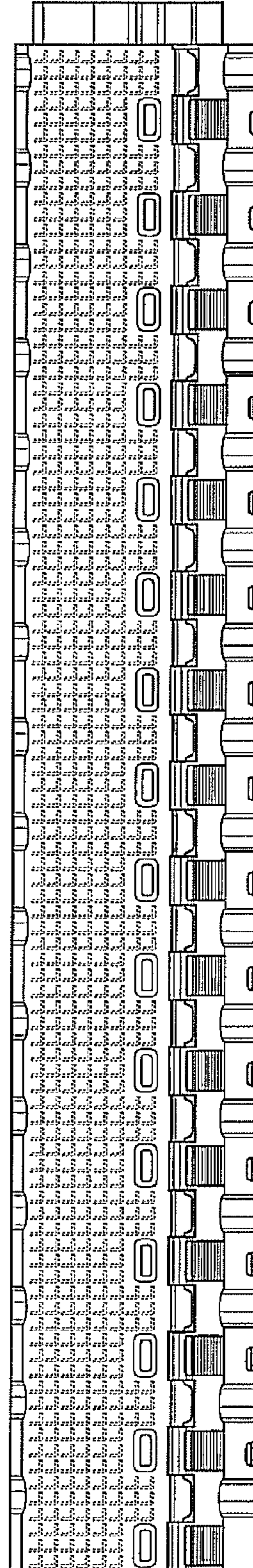


FIG. 20

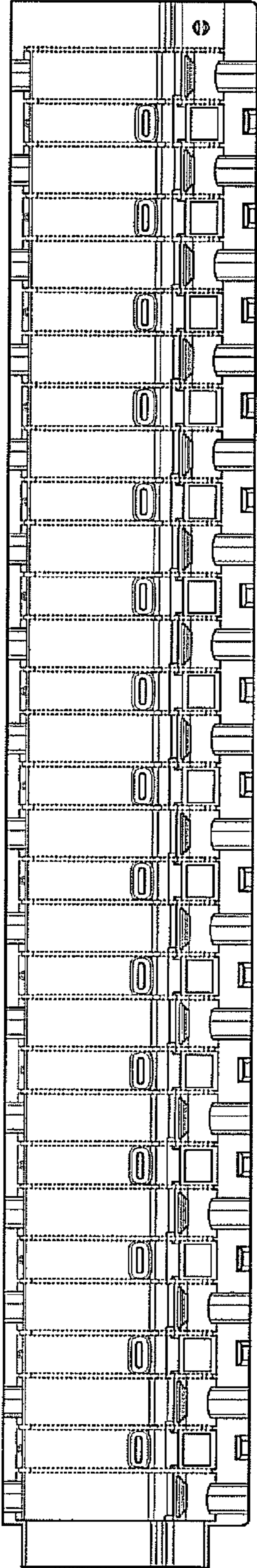


FIG. 21

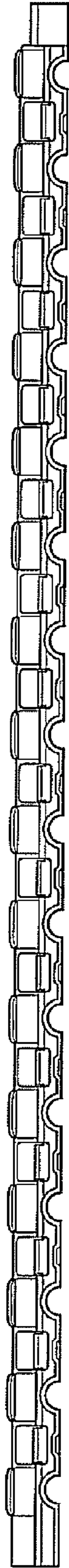


FIG. 22

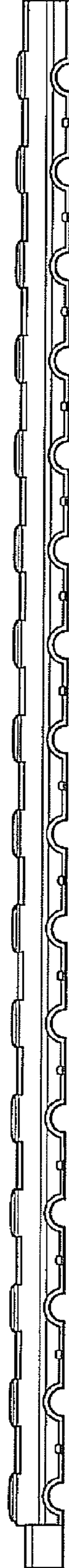


FIG. 23

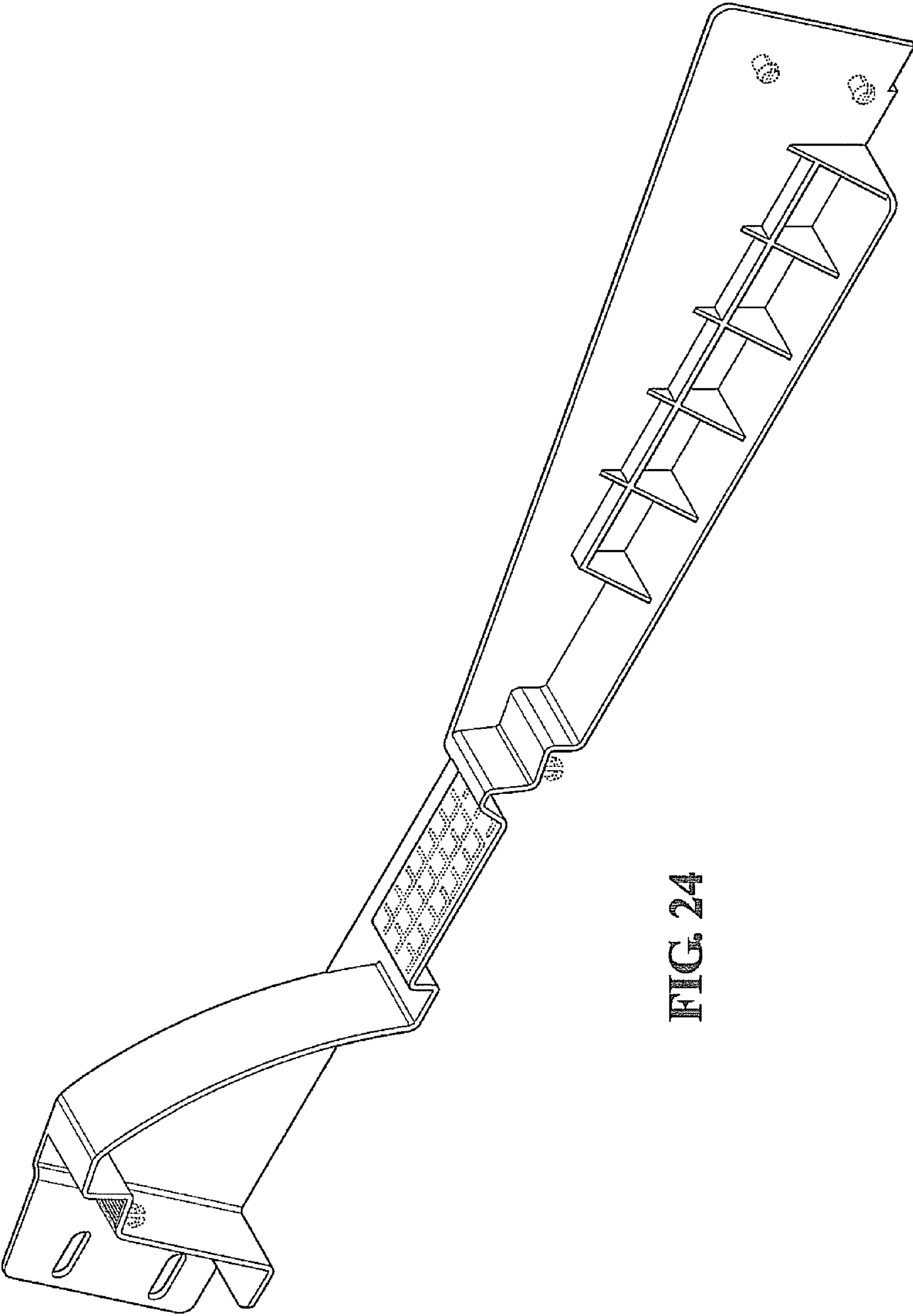


FIG. 24

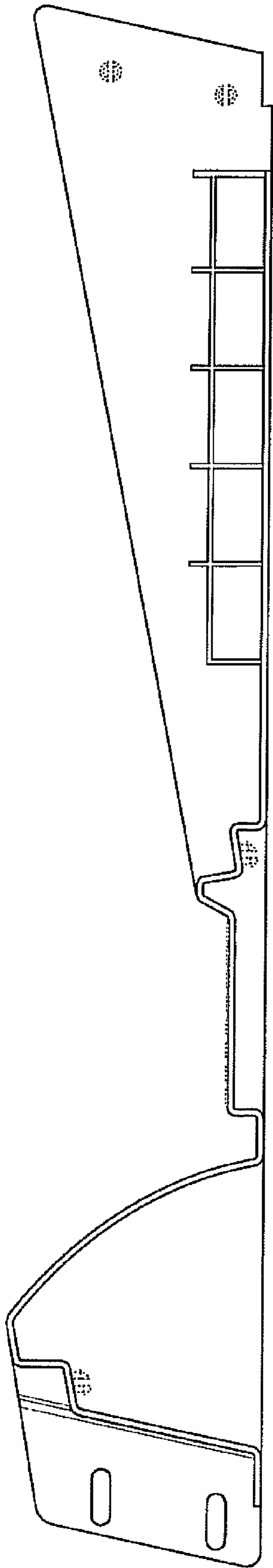


FIG. 25

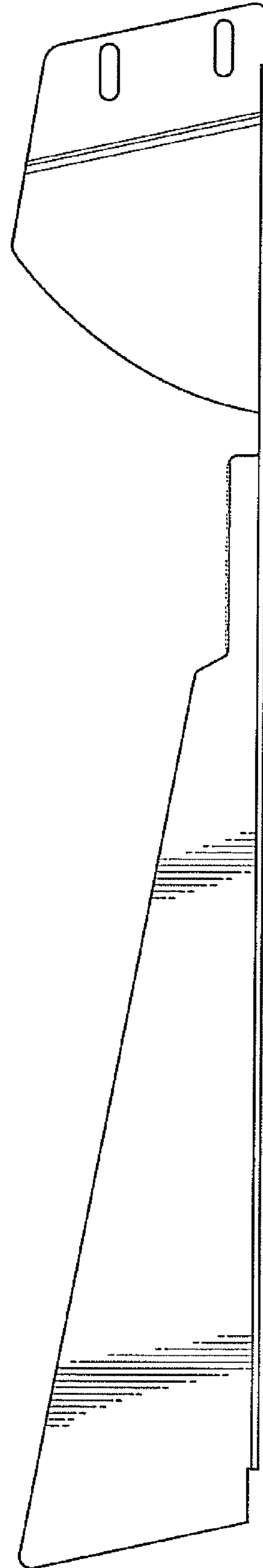


FIG. 26

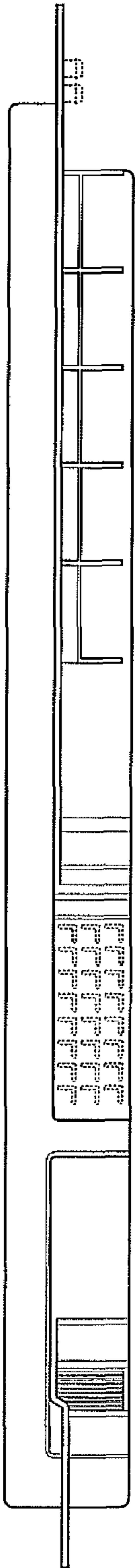


FIG. 27

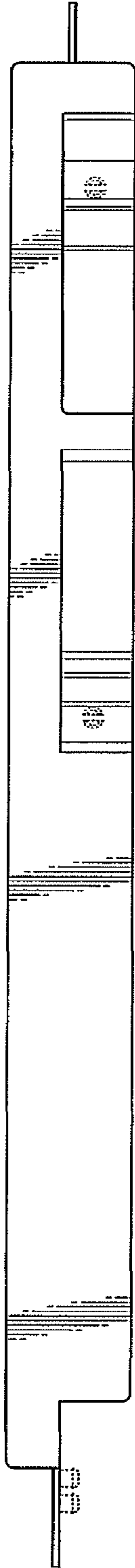


FIG. 28

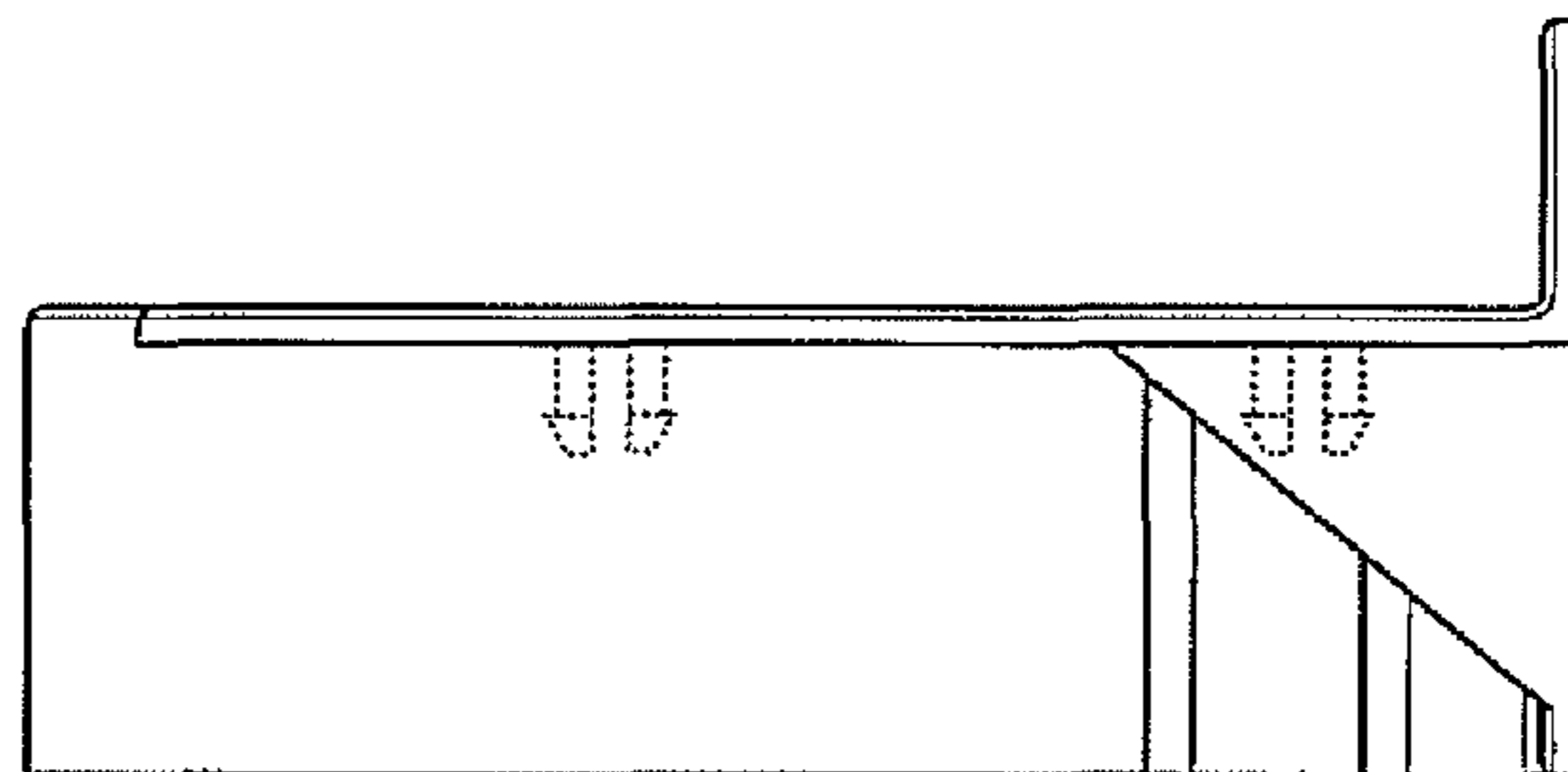


FIG. 29

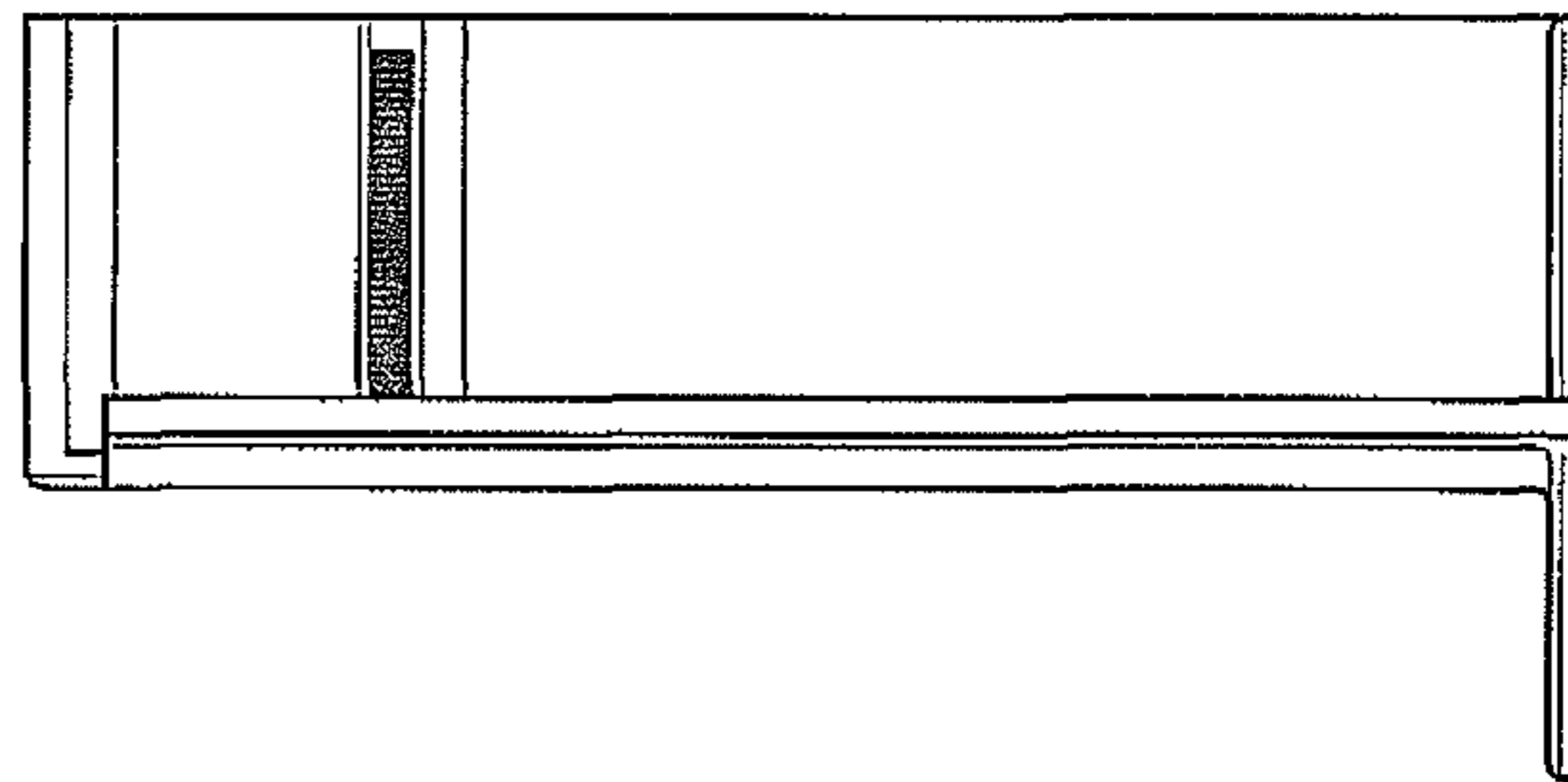


FIG. 30

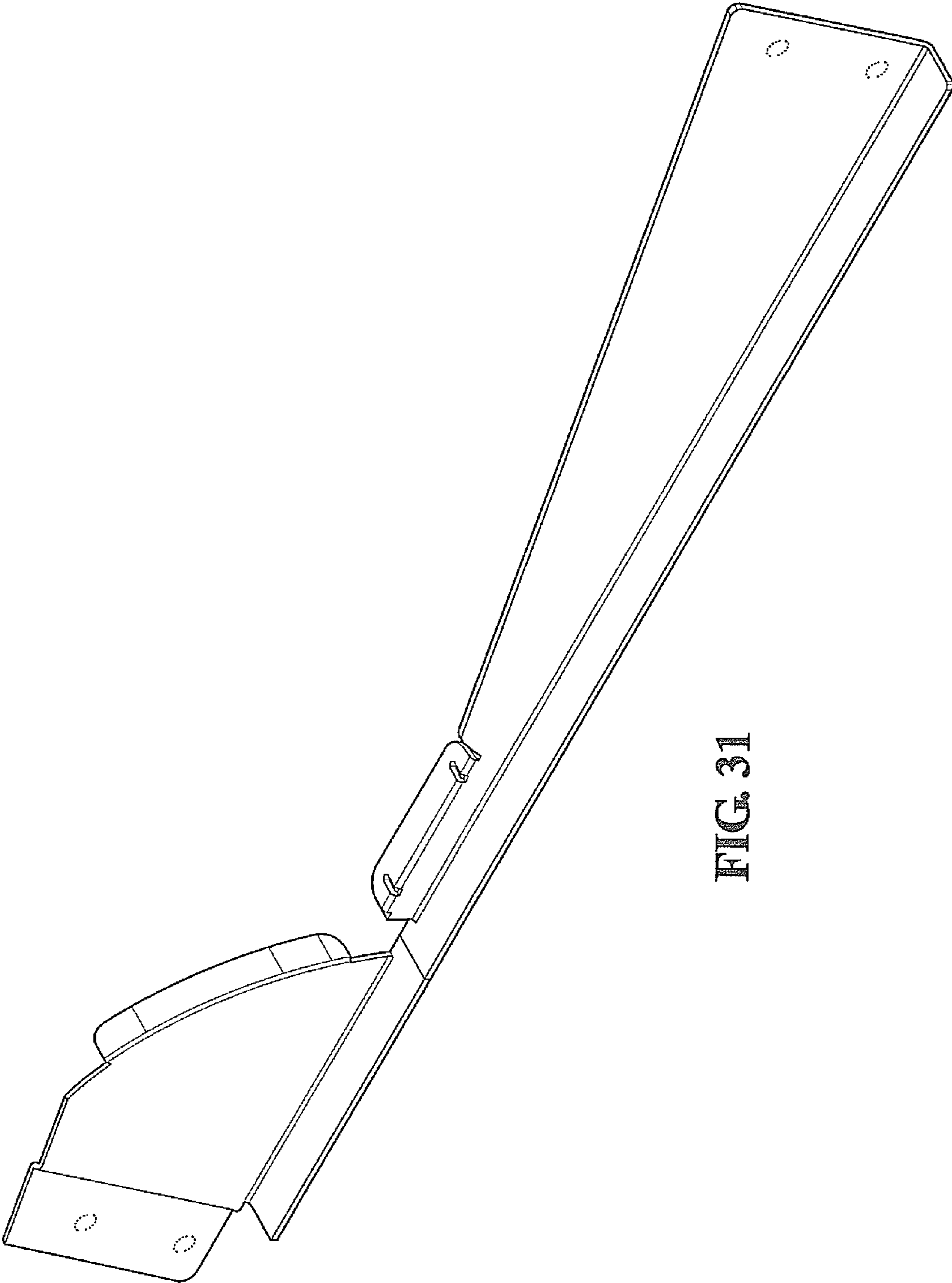


FIG. 31

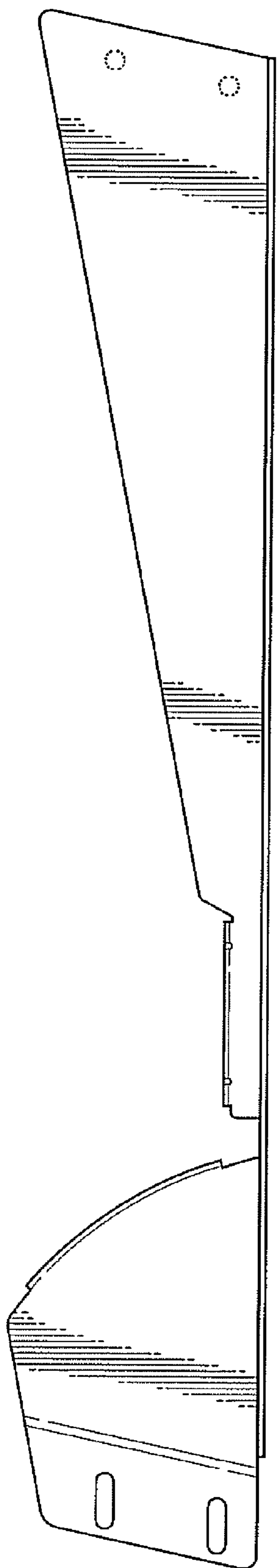


FIG. 32

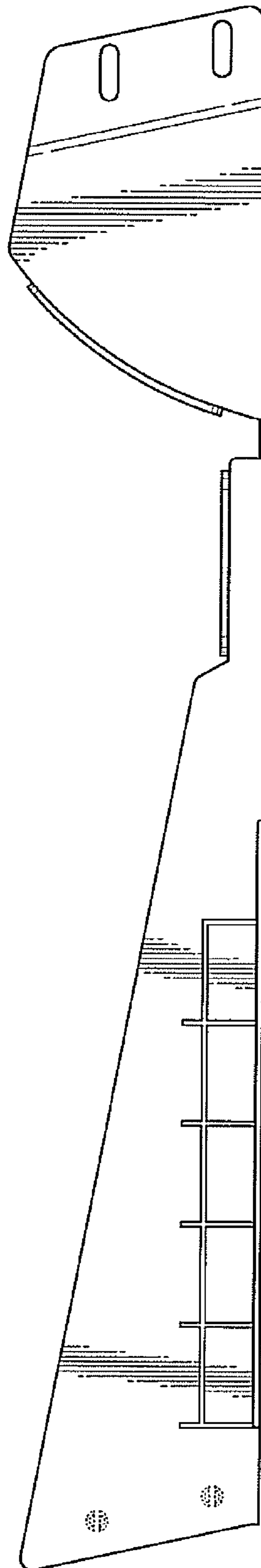


FIG. 33

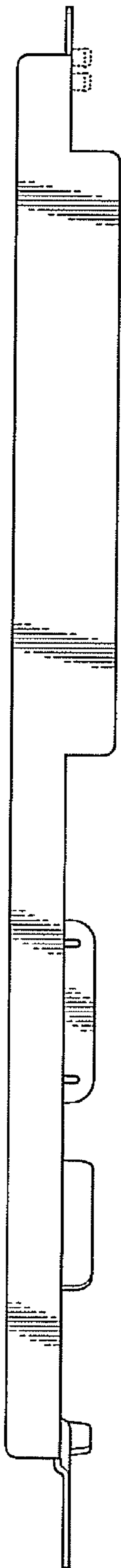


FIG. 34

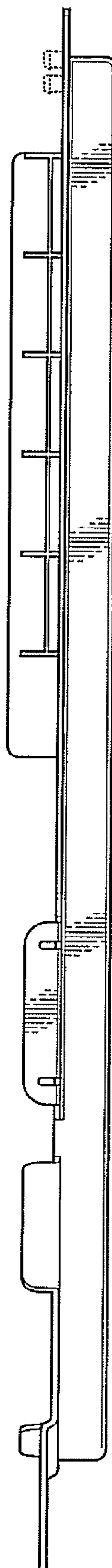


FIG. 35

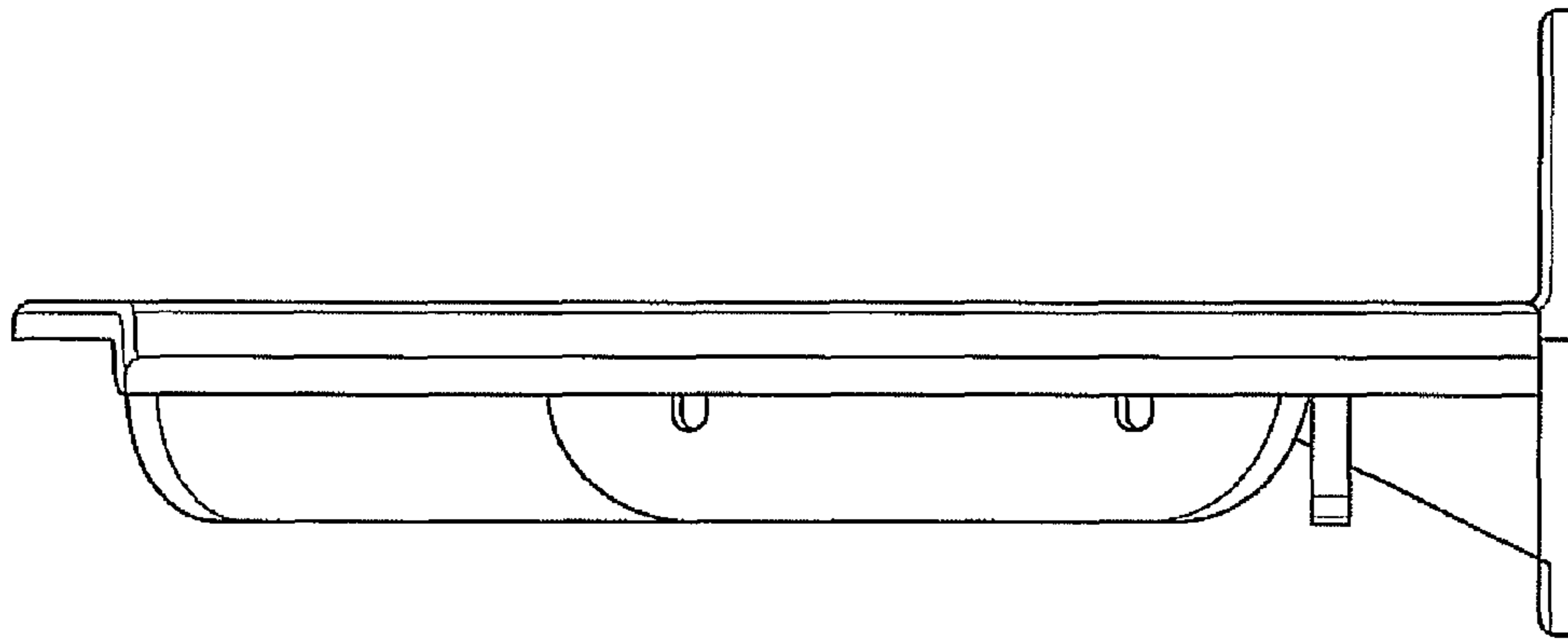


FIG. 37

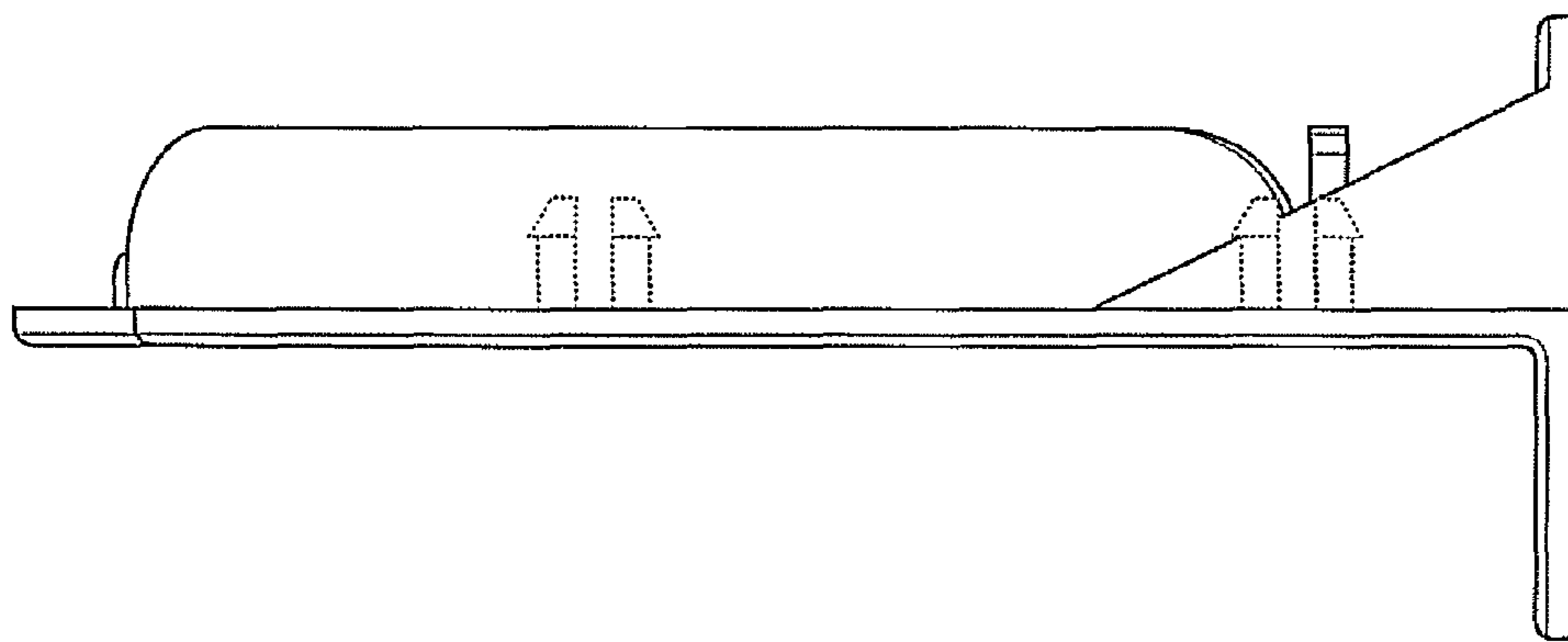


FIG. 36

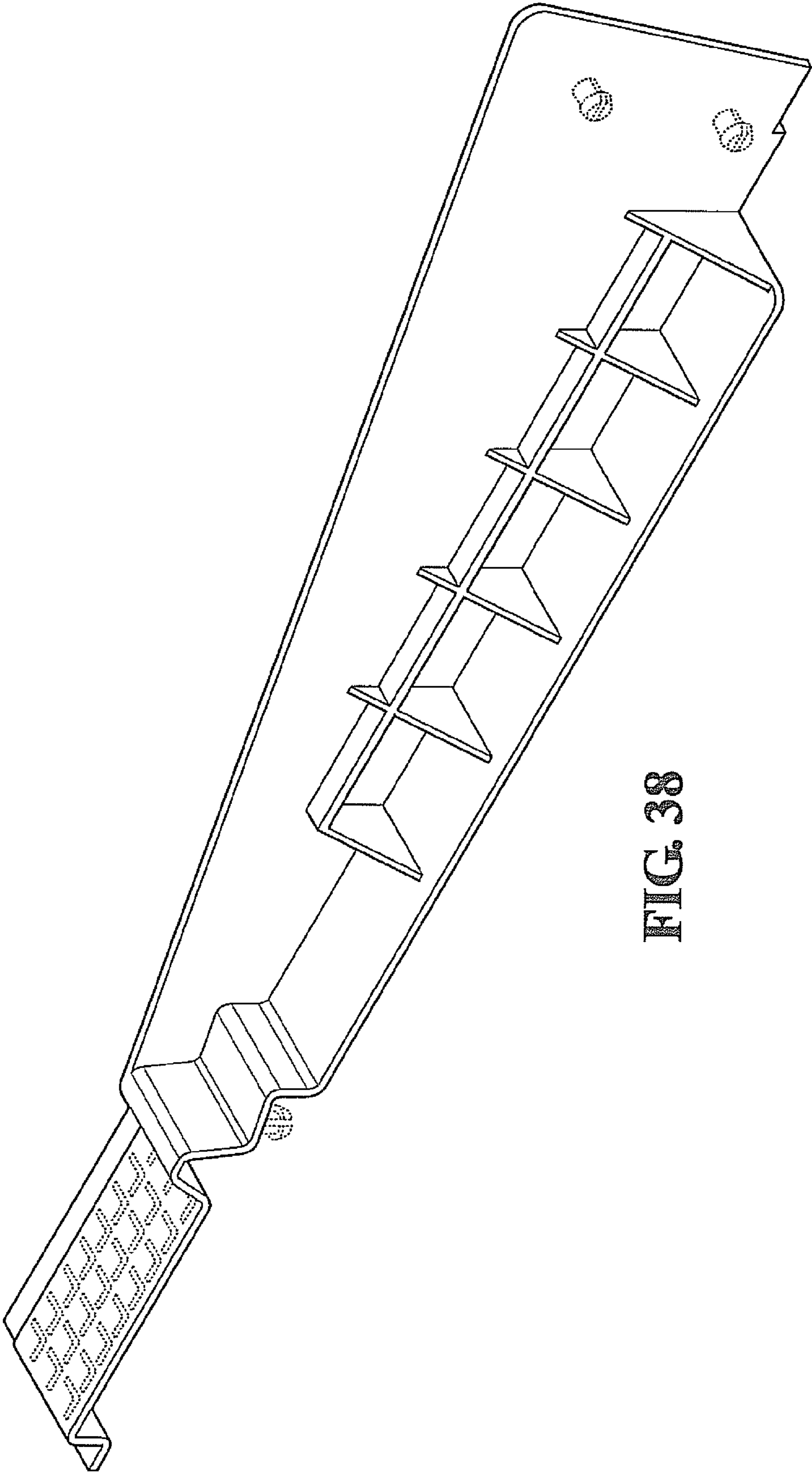


FIG. 38

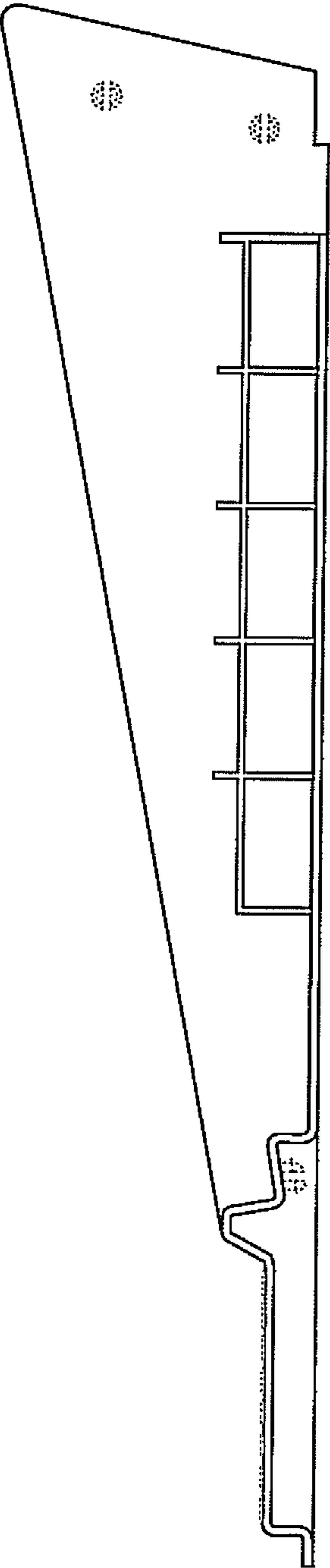


FIG. 39

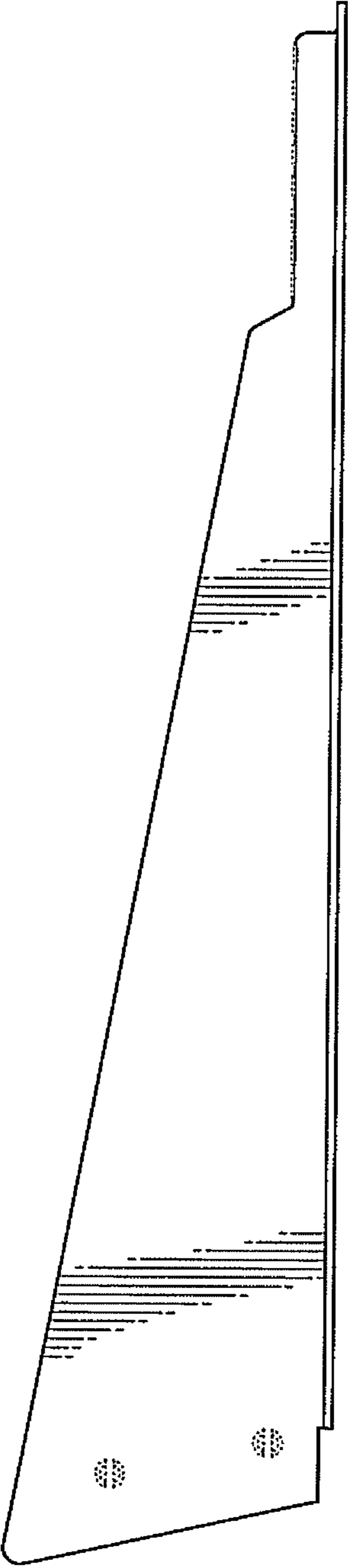


FIG. 40

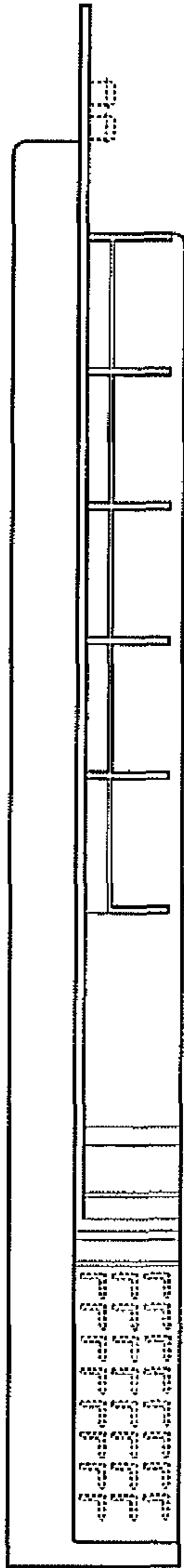


FIG. 41

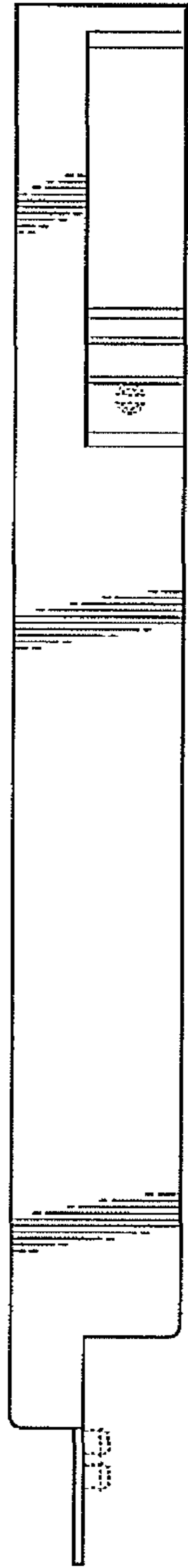


FIG. 42

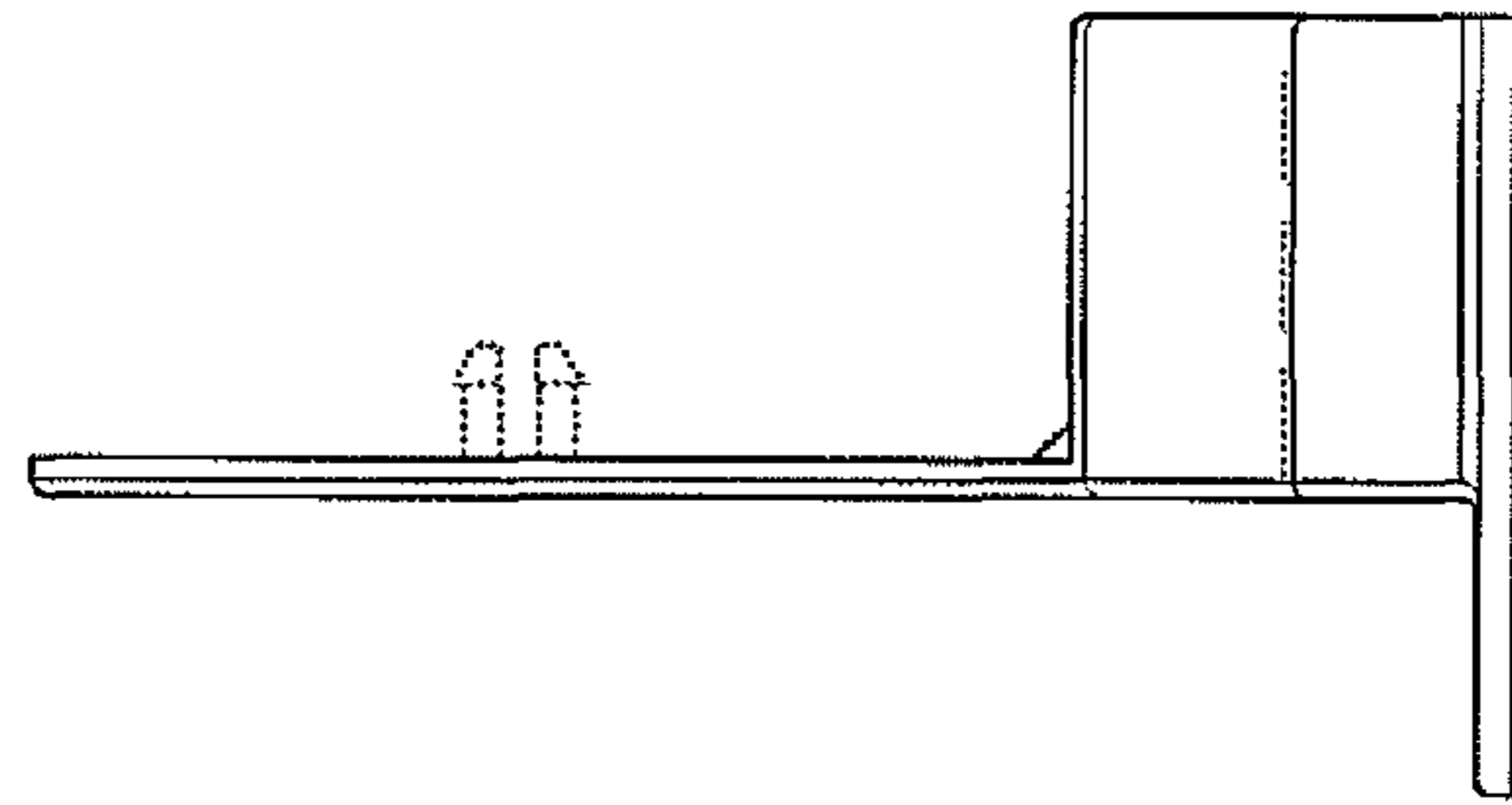


FIG. 43

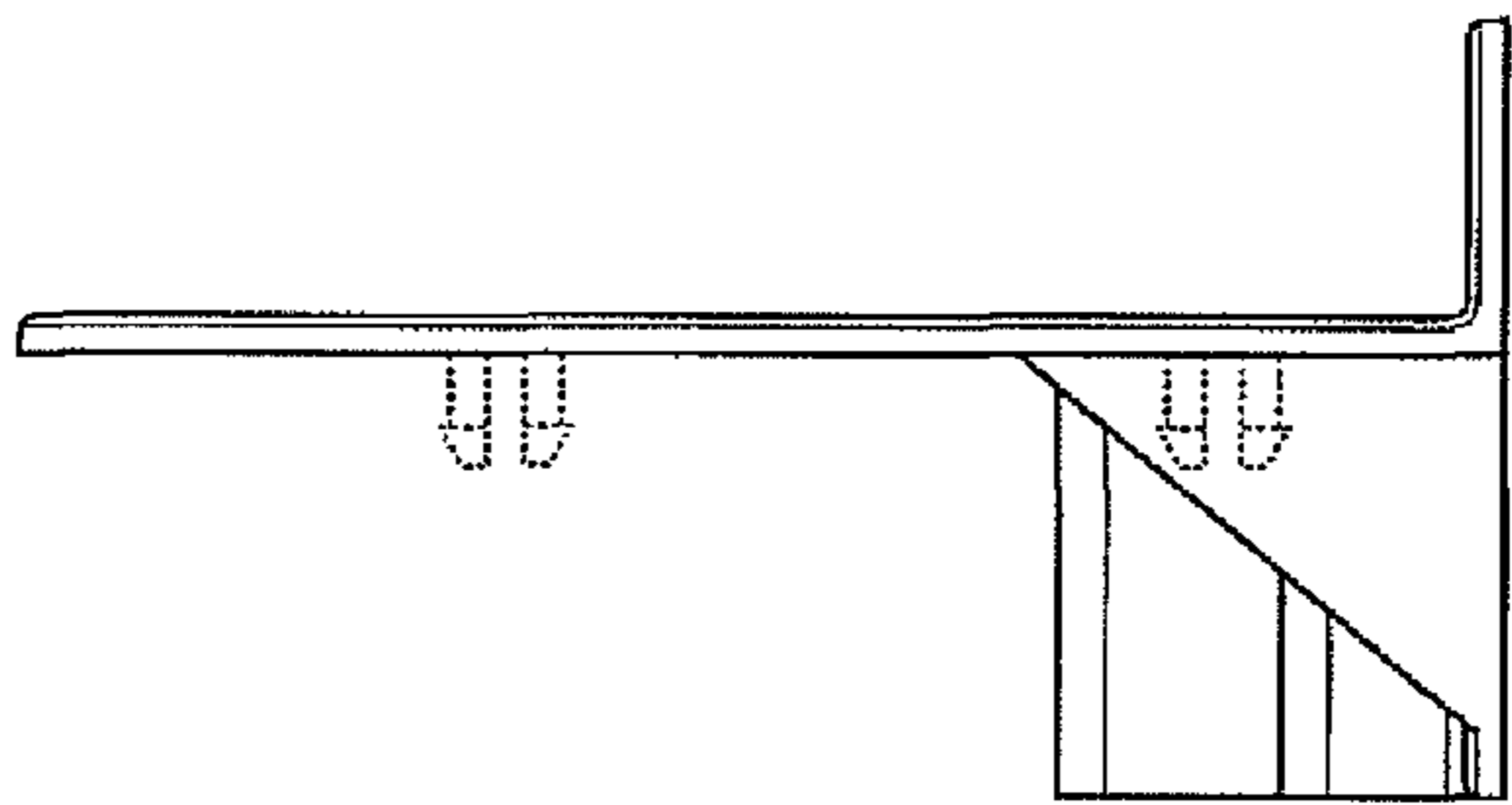


FIG. 44

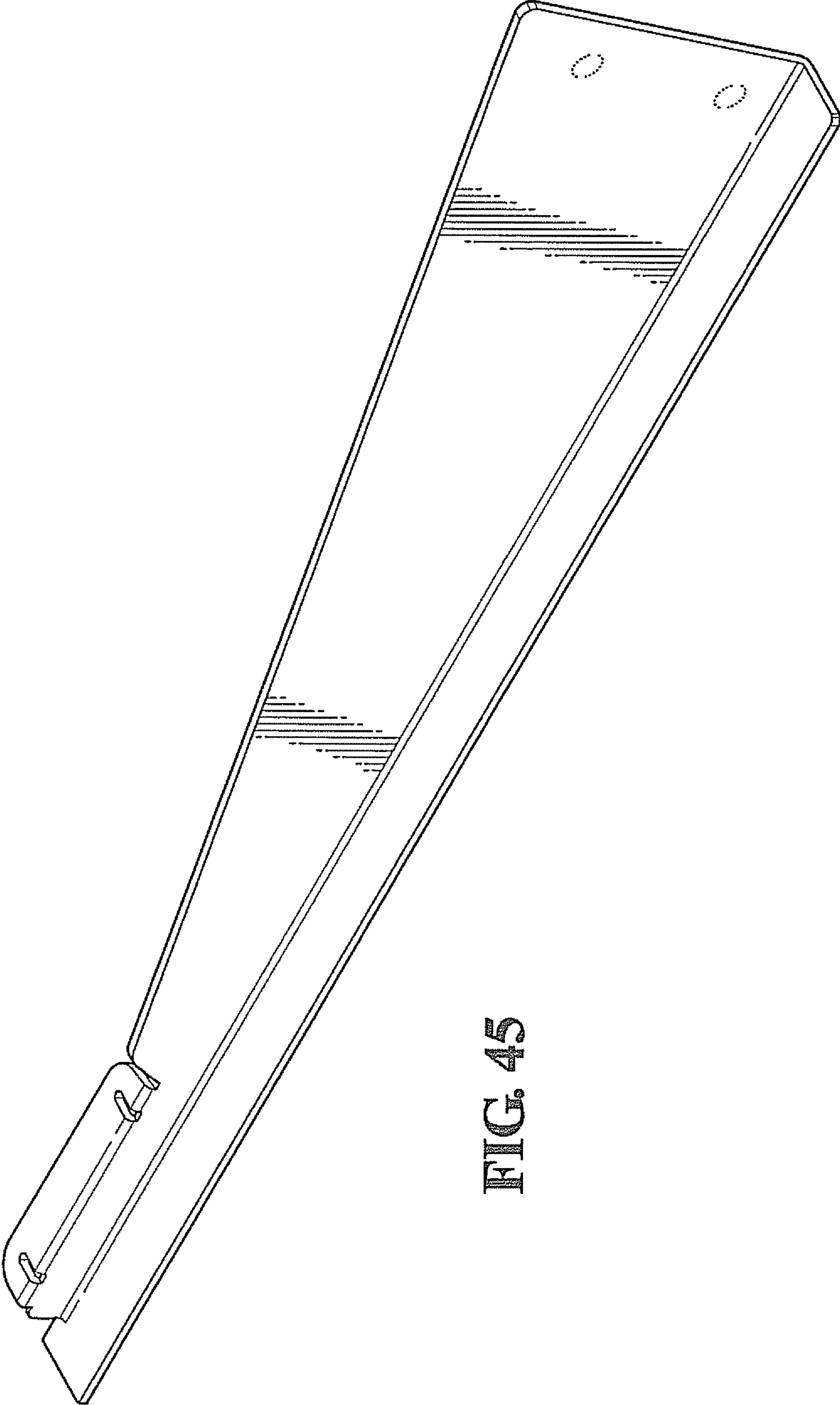


FIG. 45

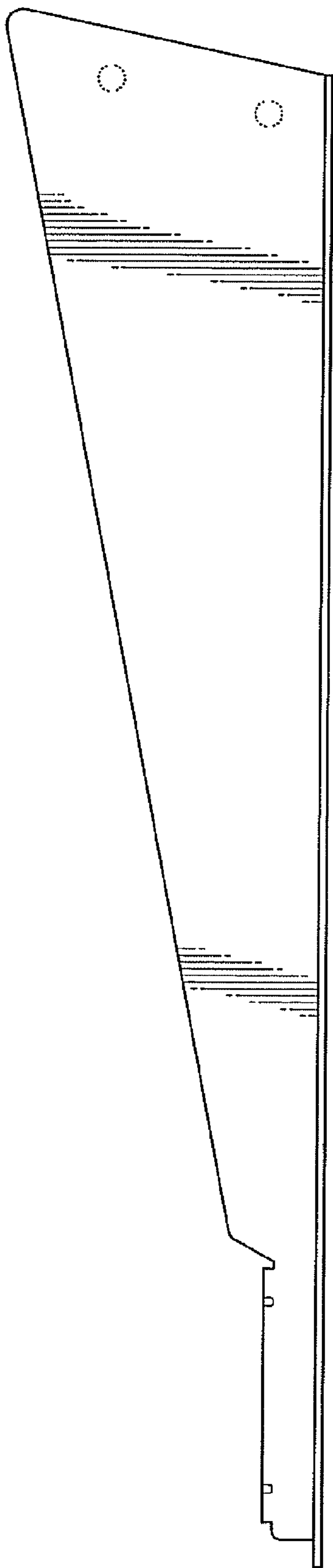


FIG. 46

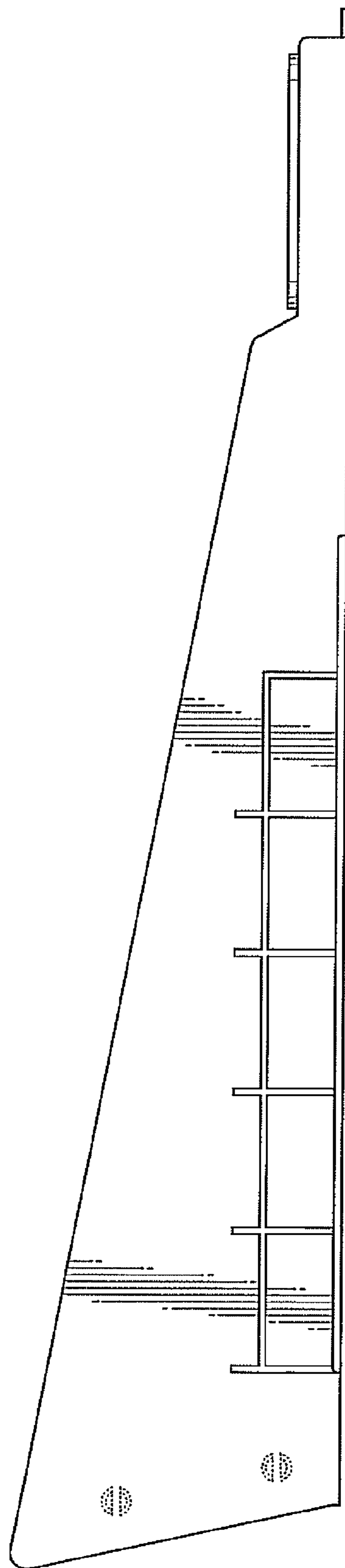


FIG. 47

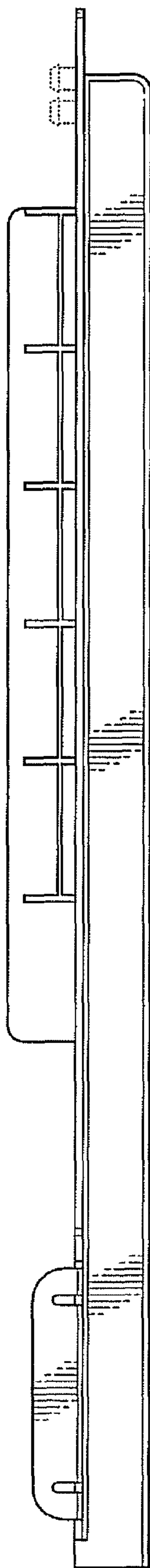


FIG. 48

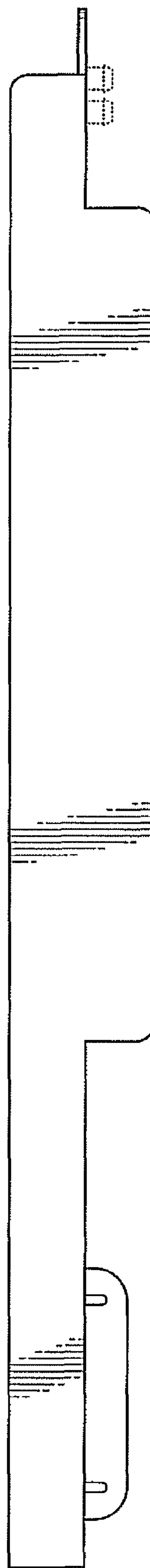


FIG. 49

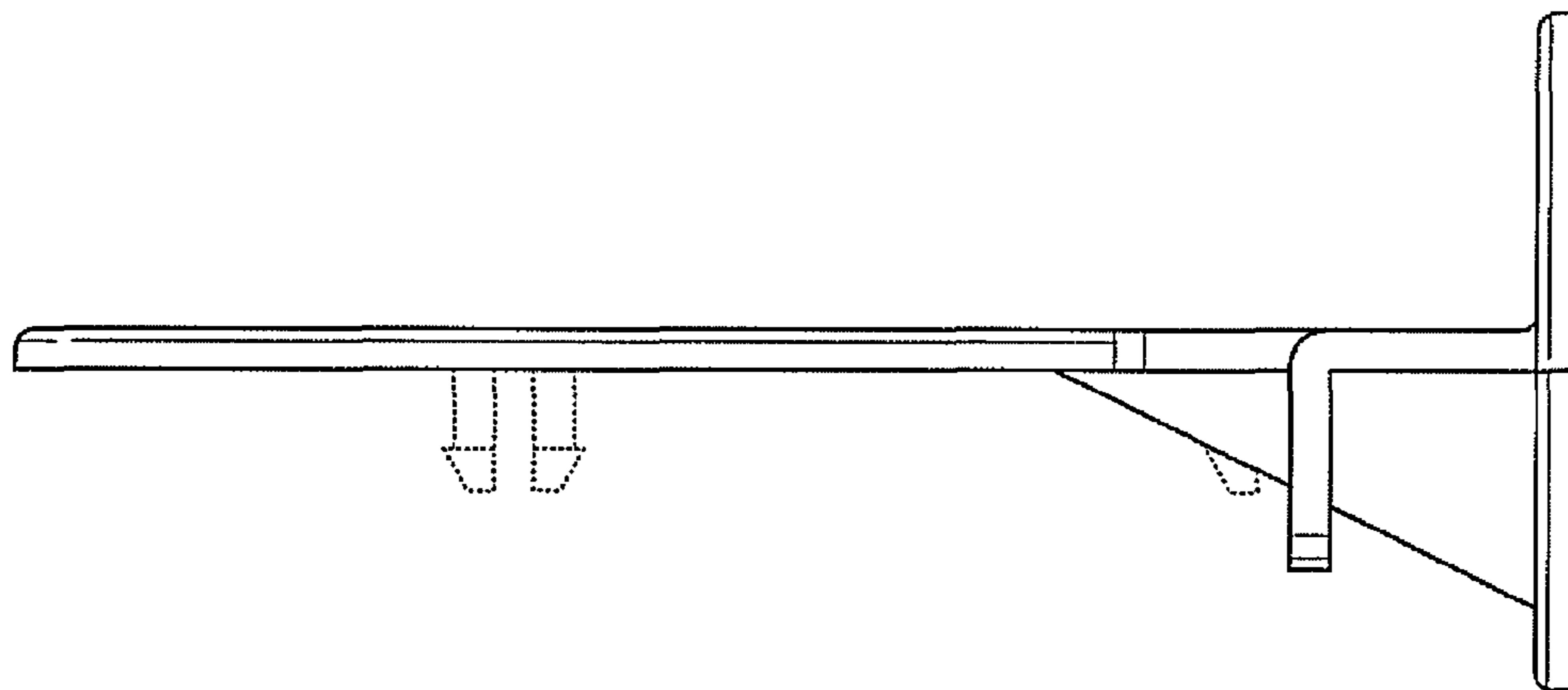


FIG. 51

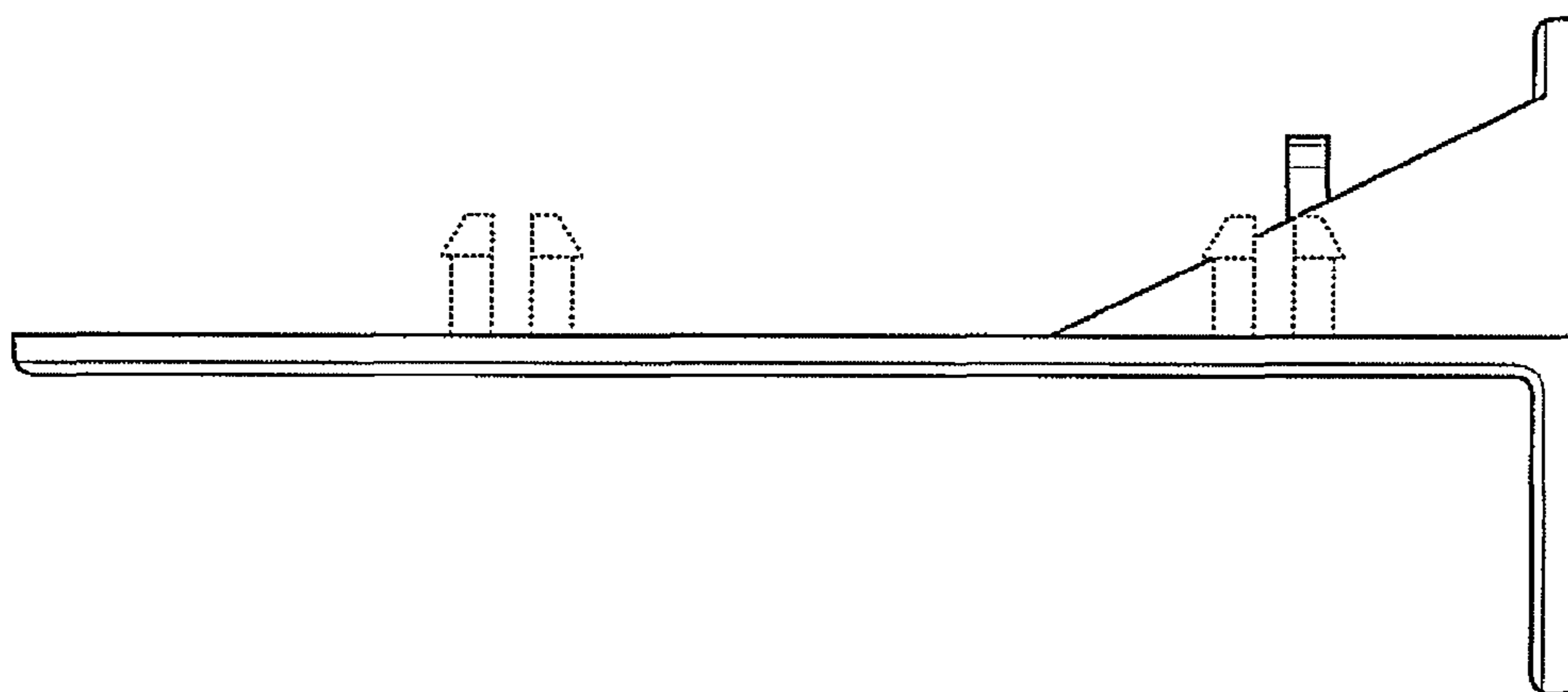


FIG. 50

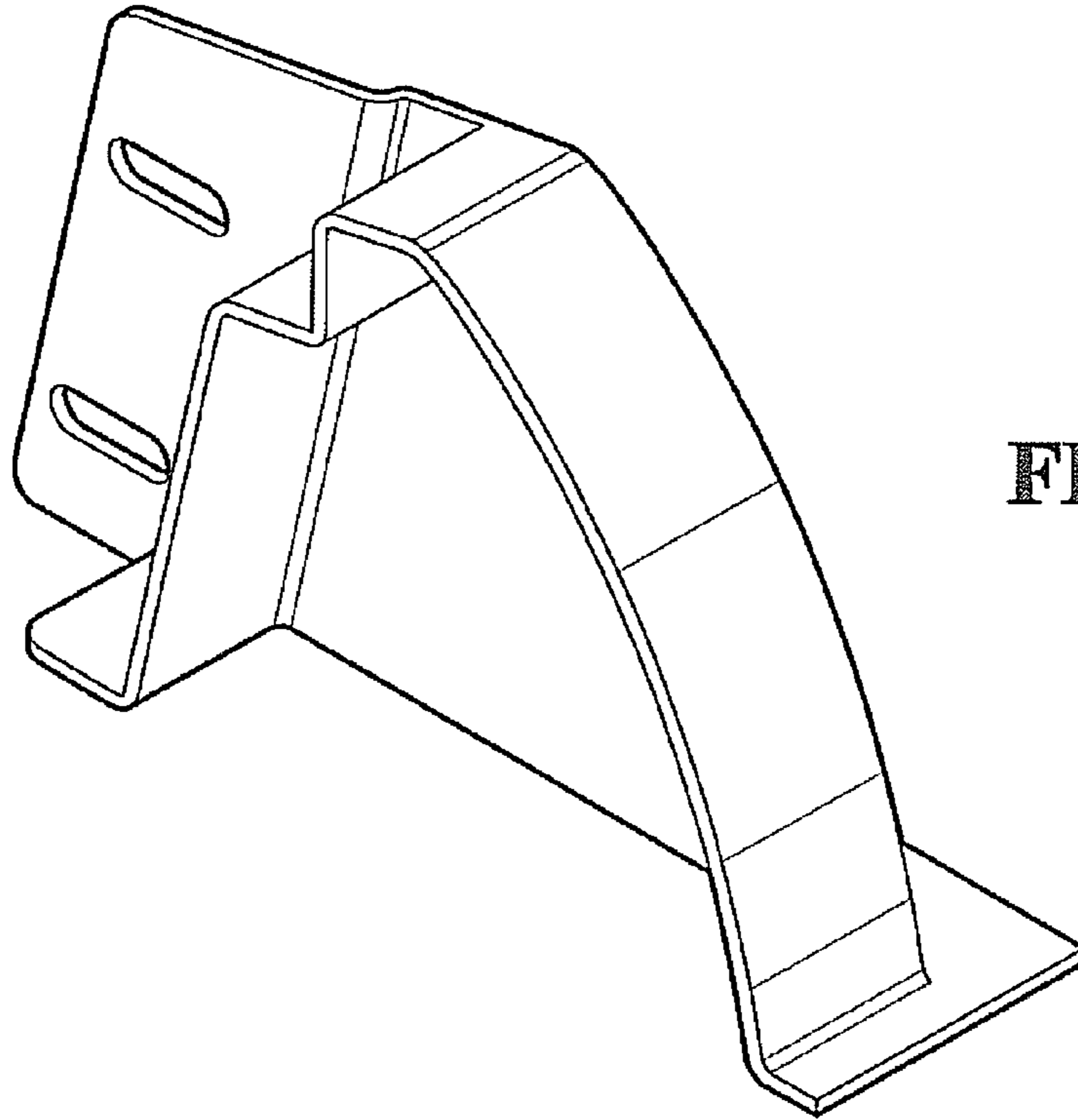


FIG. 52

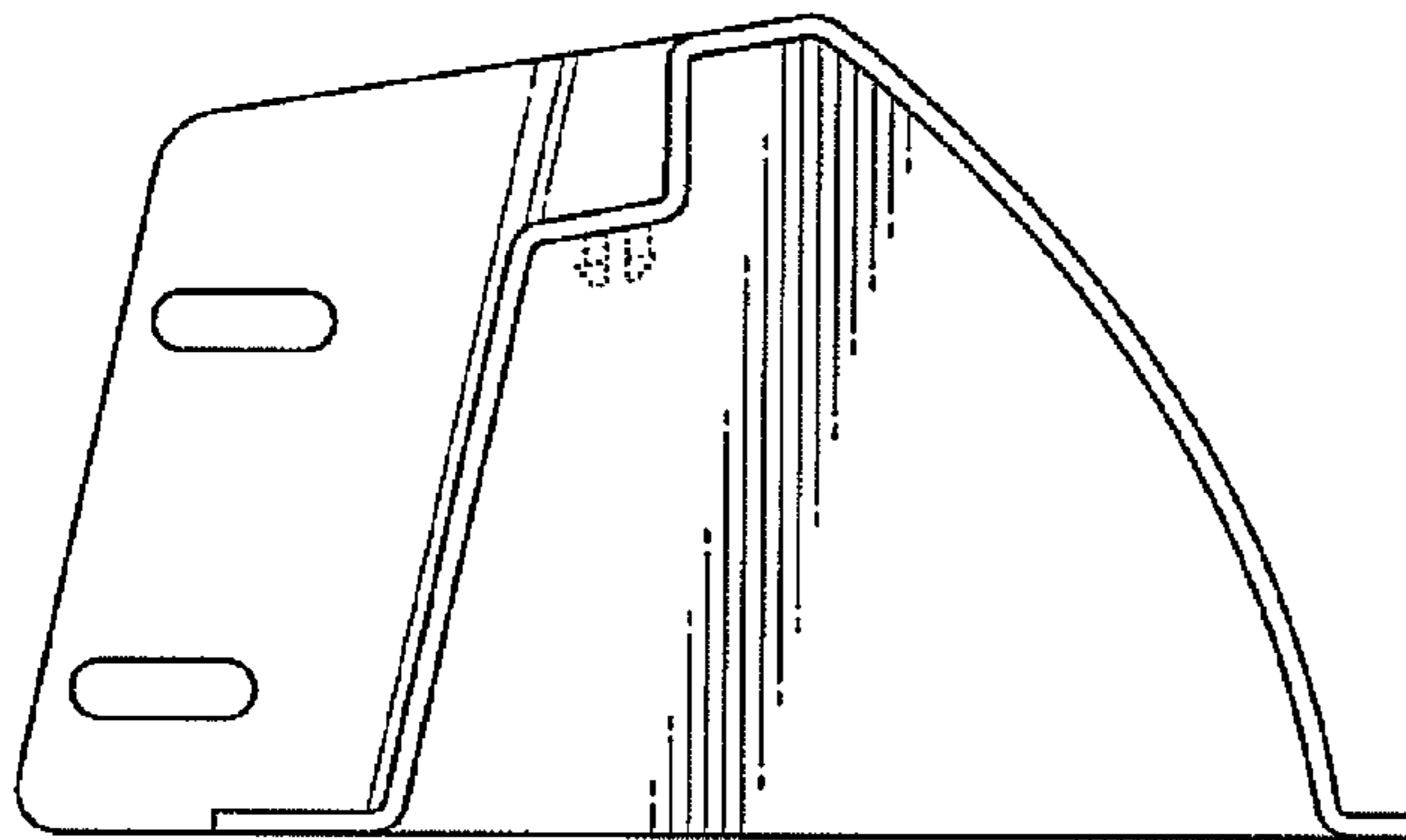
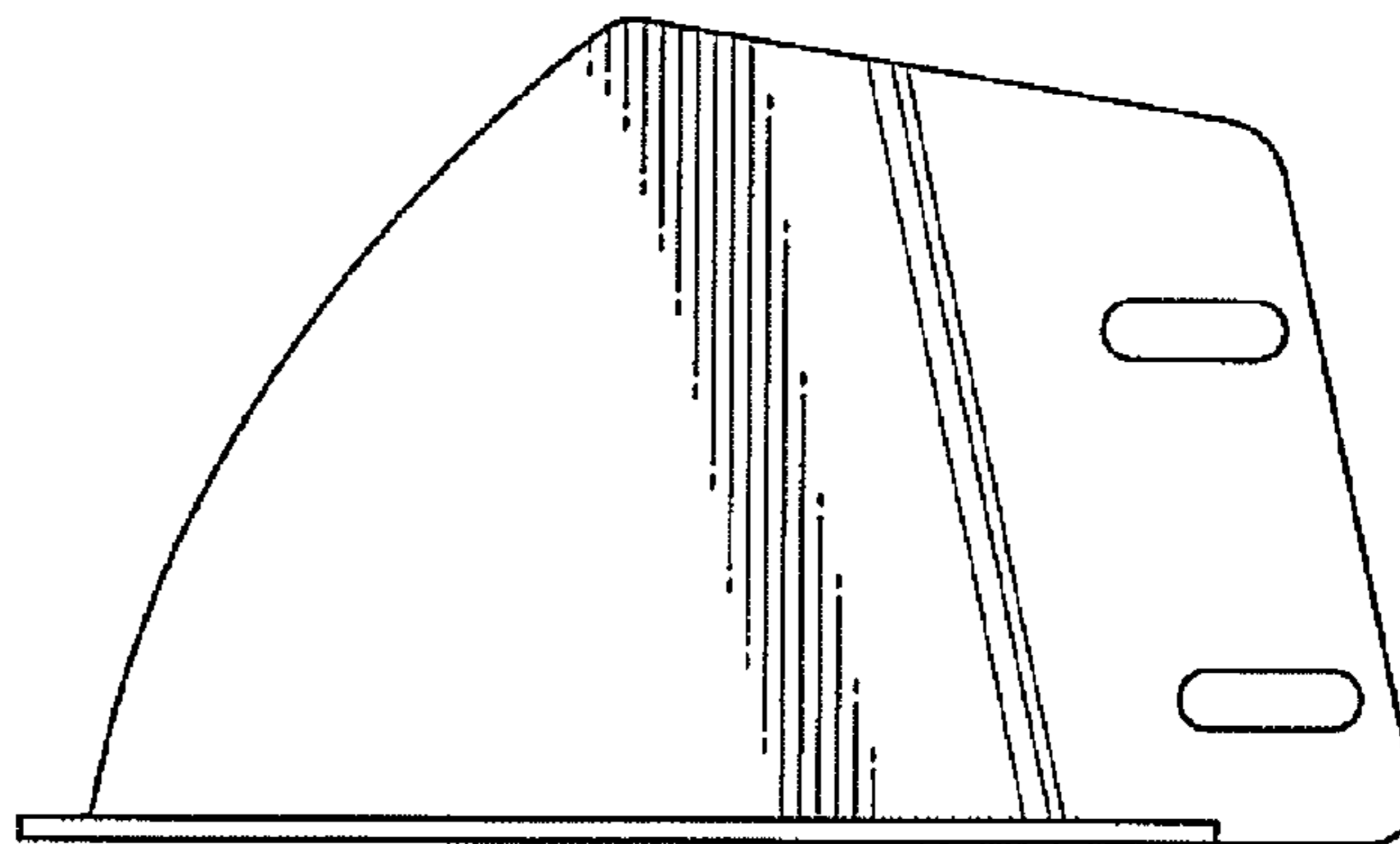


FIG. 53

FIG. 54



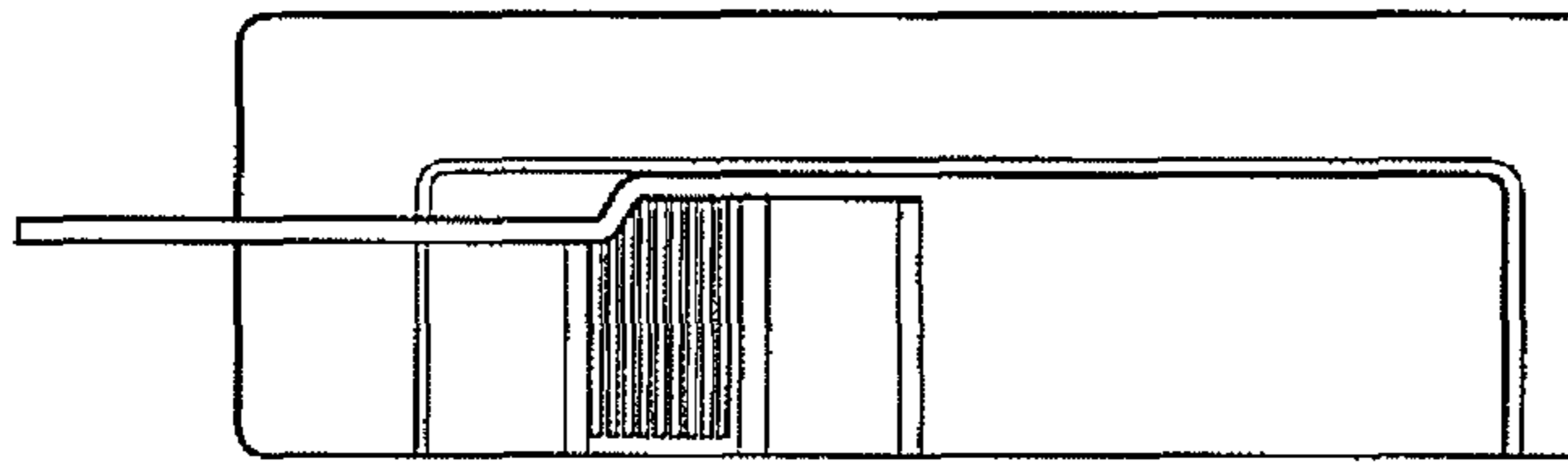


FIG. 55

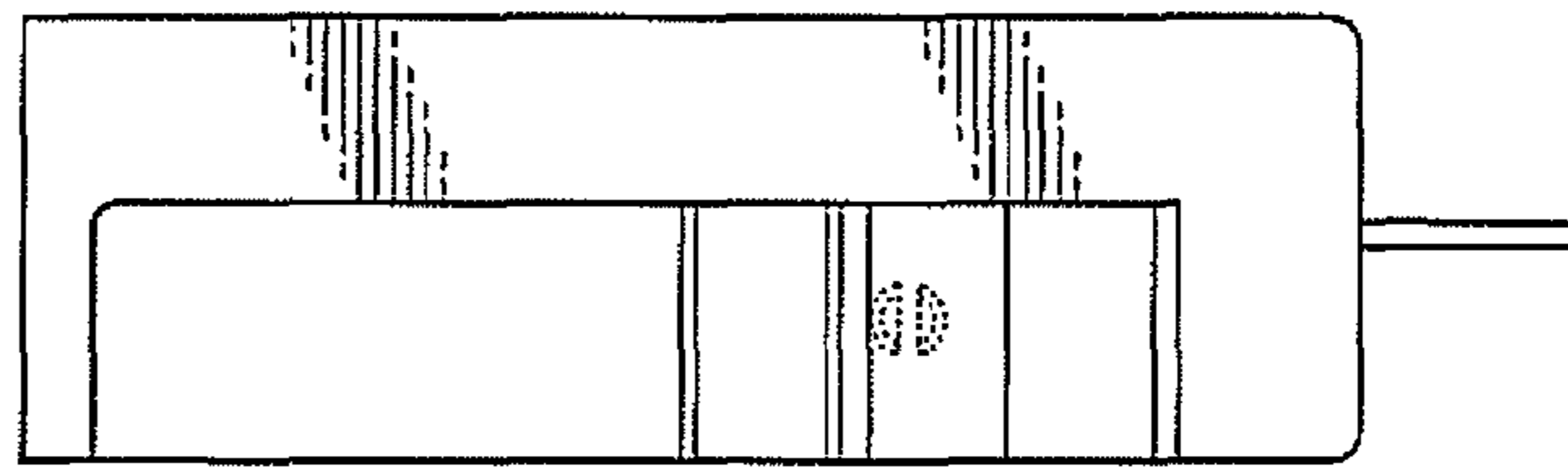


FIG. 56

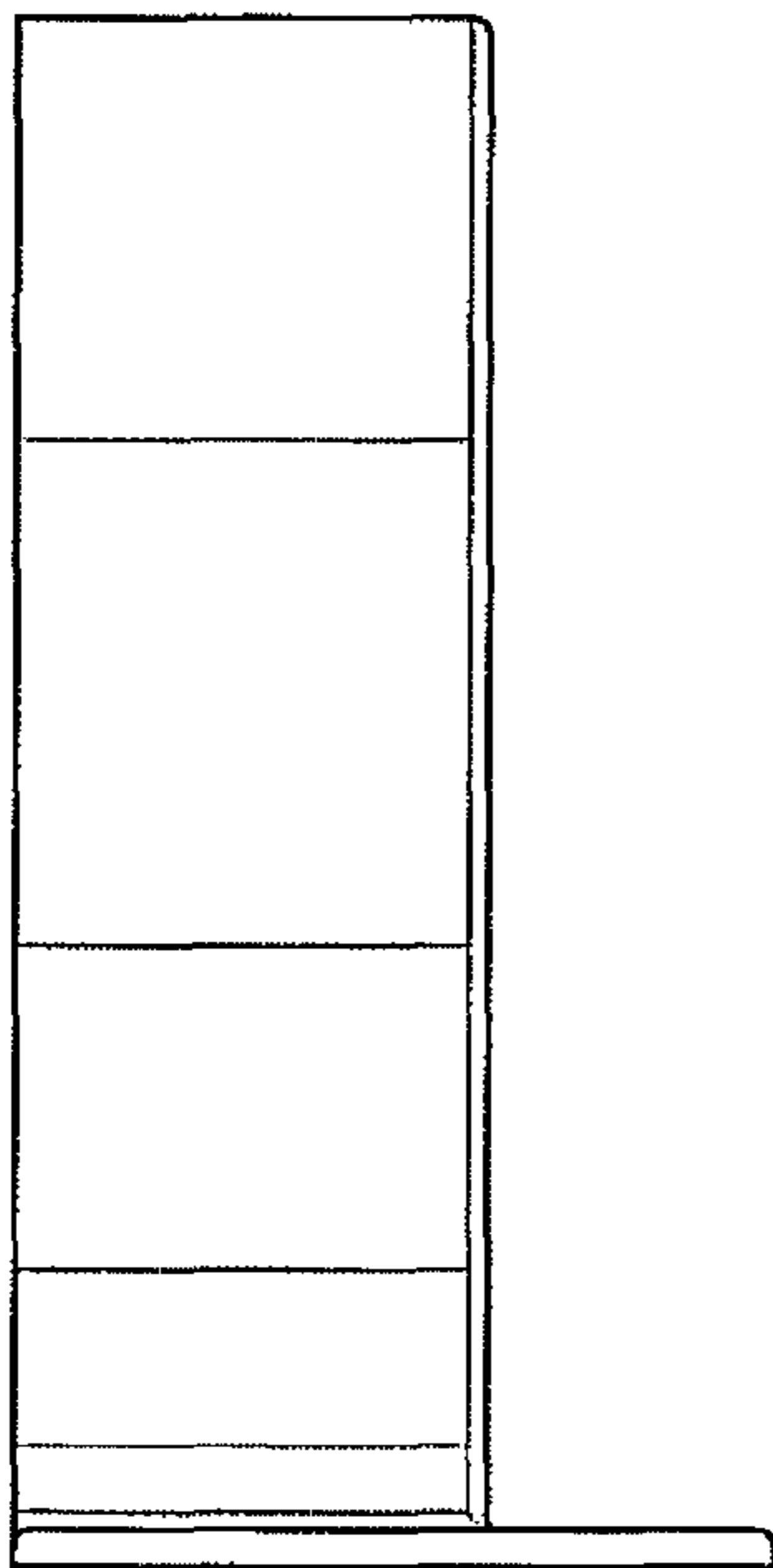


FIG. 57

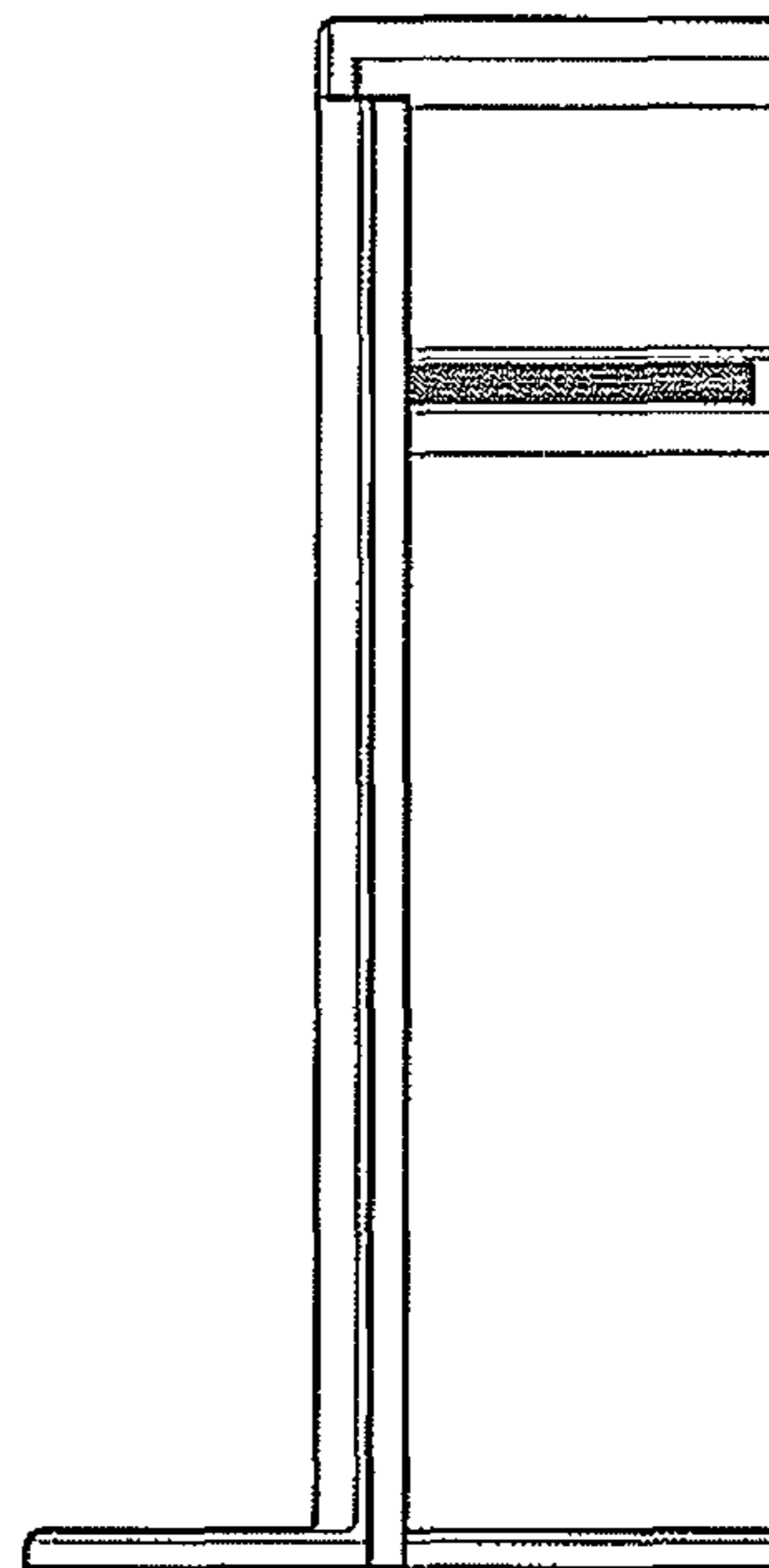


FIG. 58

FIG. 59

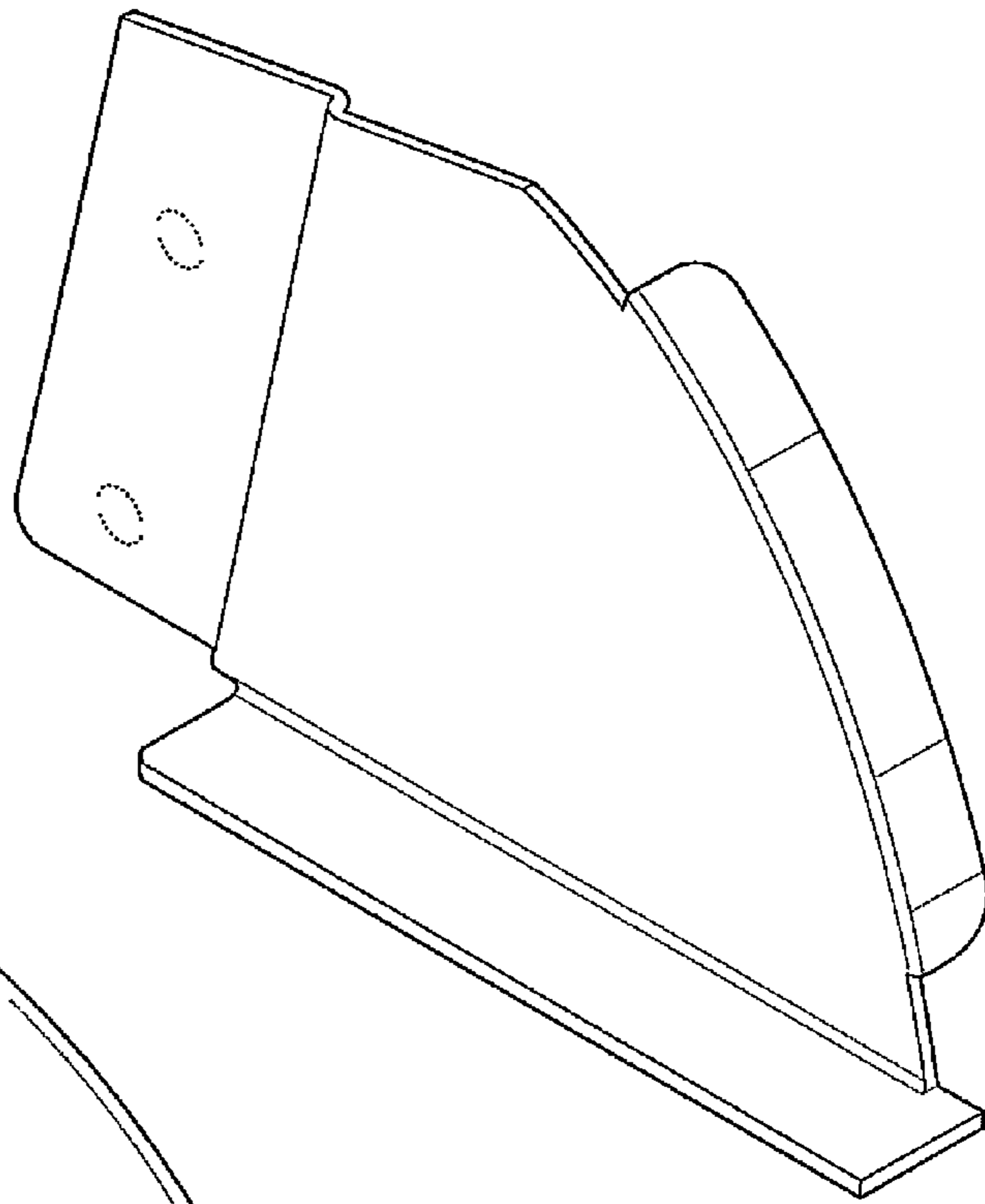


FIG. 60

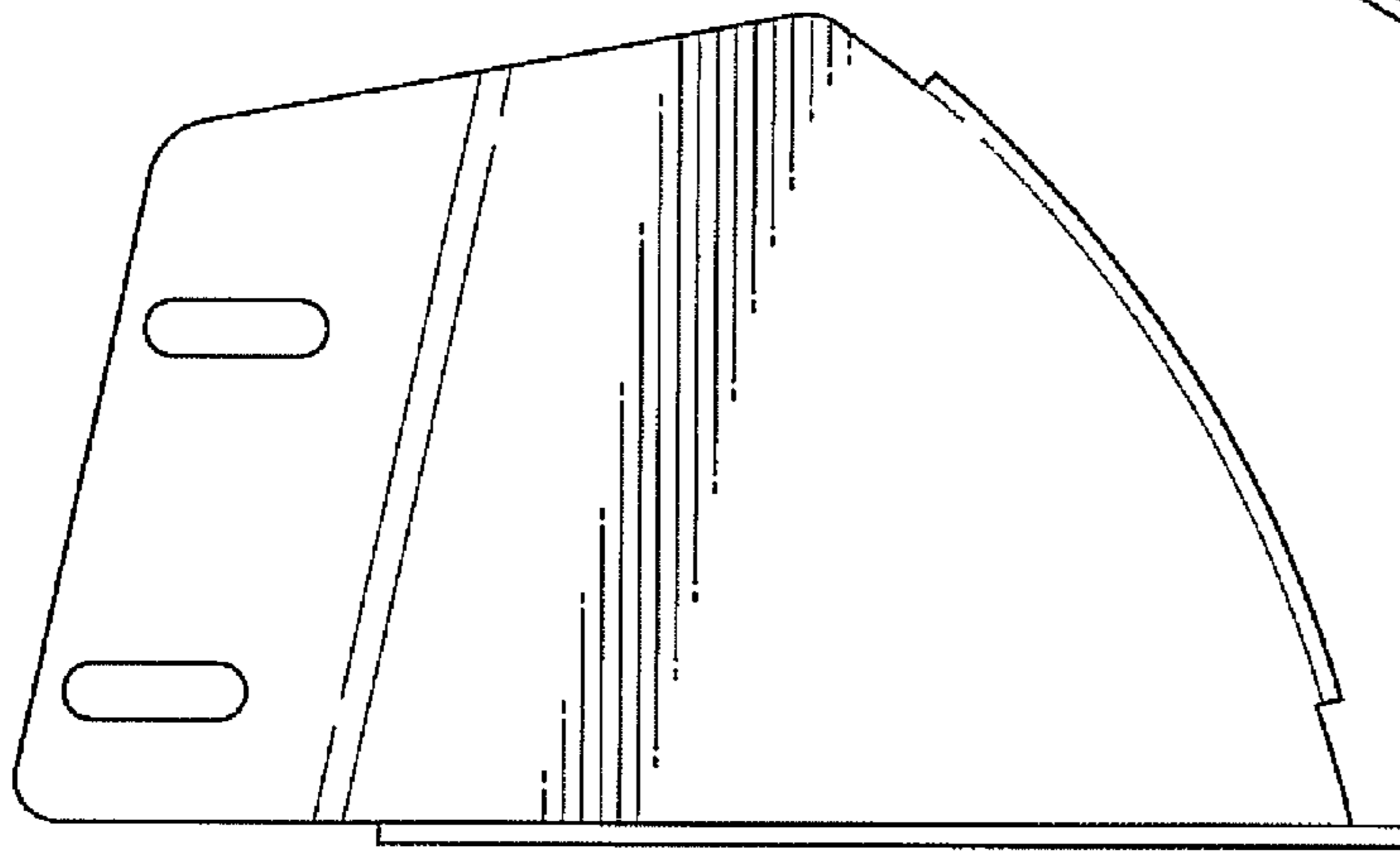
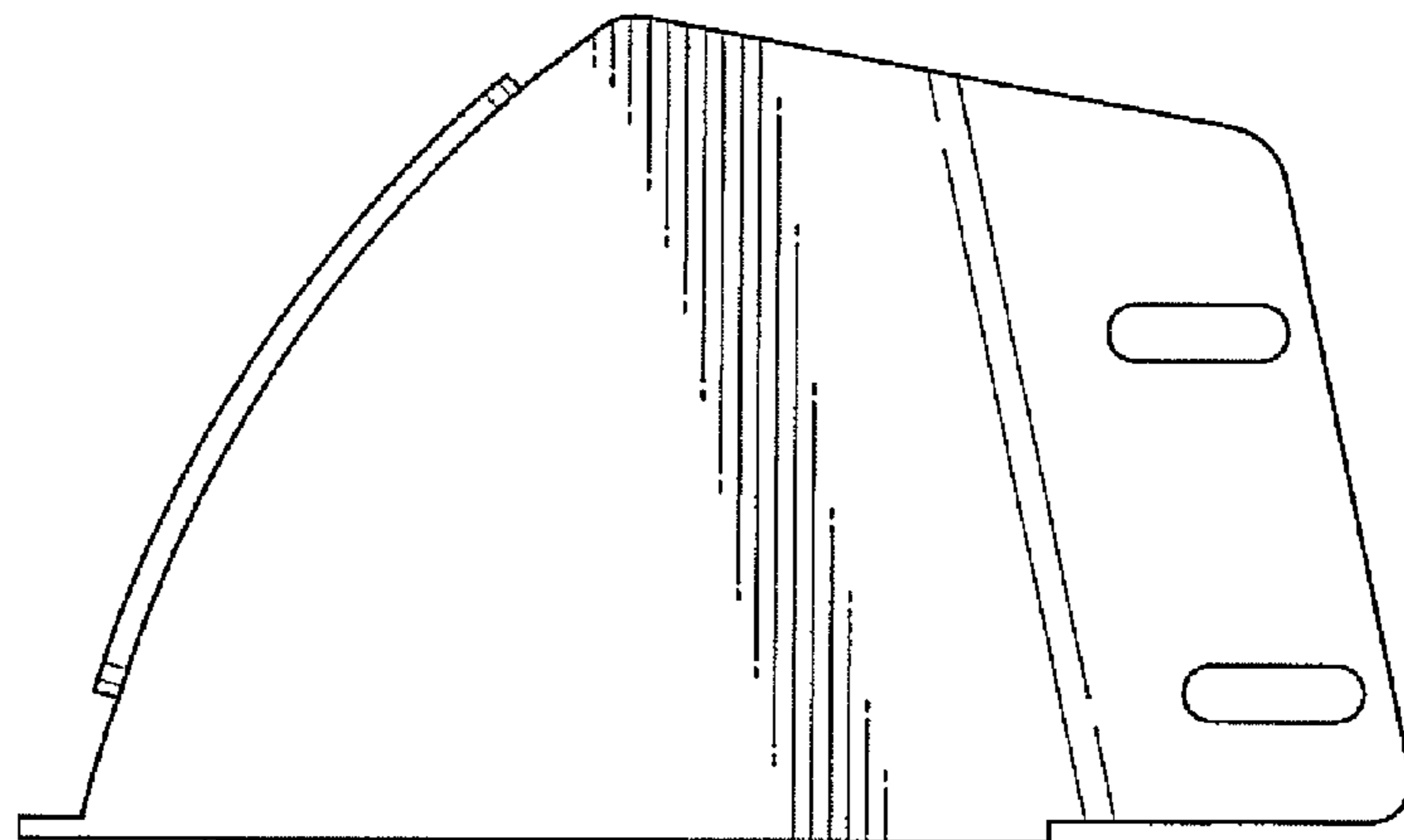


FIG. 61



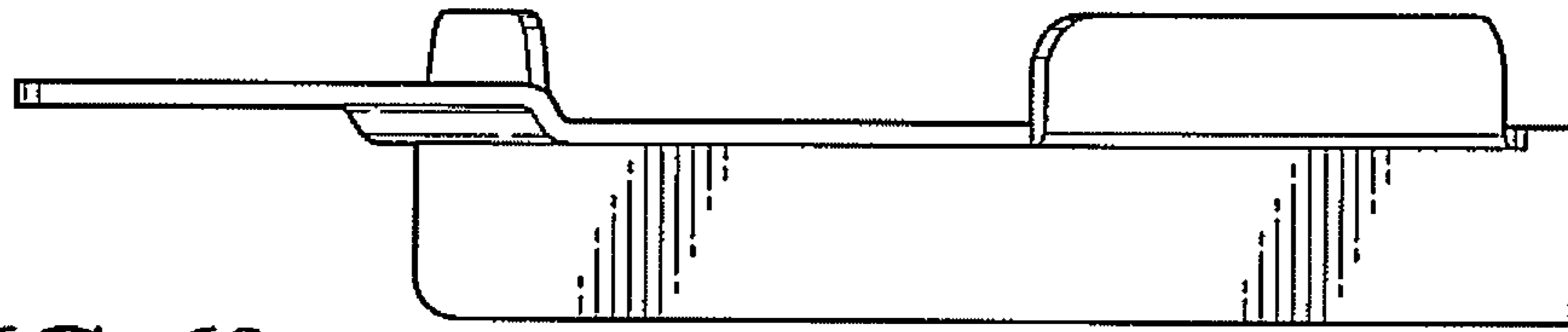


FIG. 62

FIG. 63

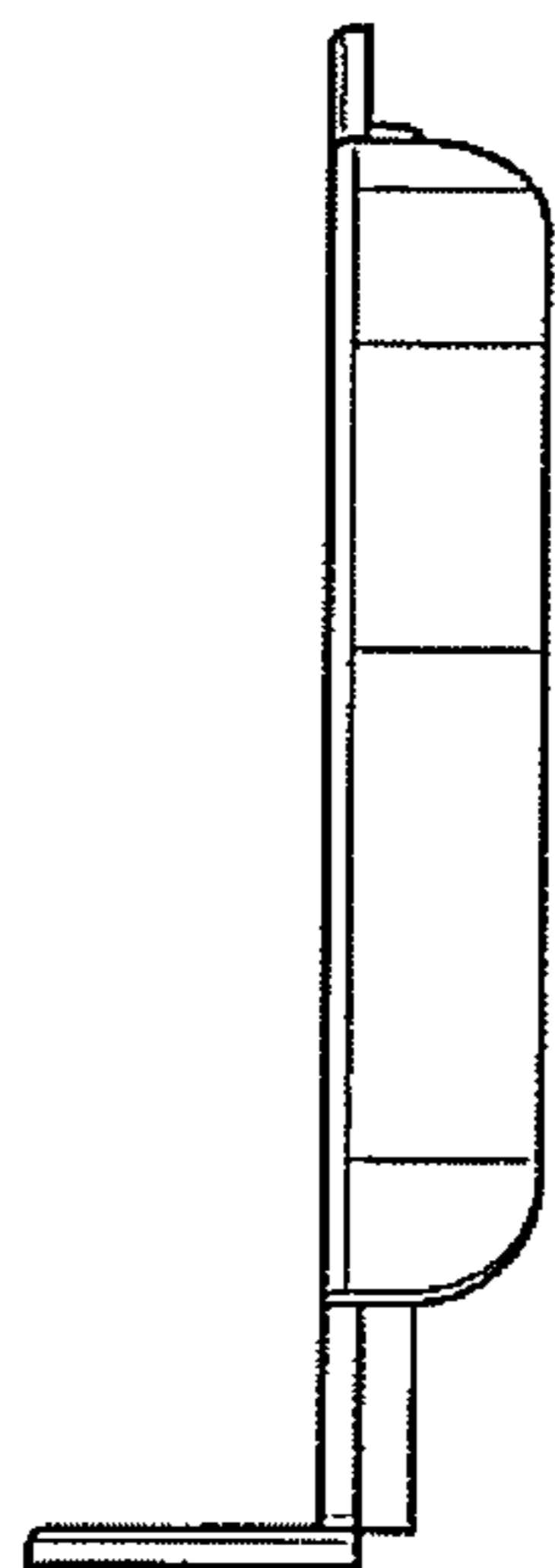
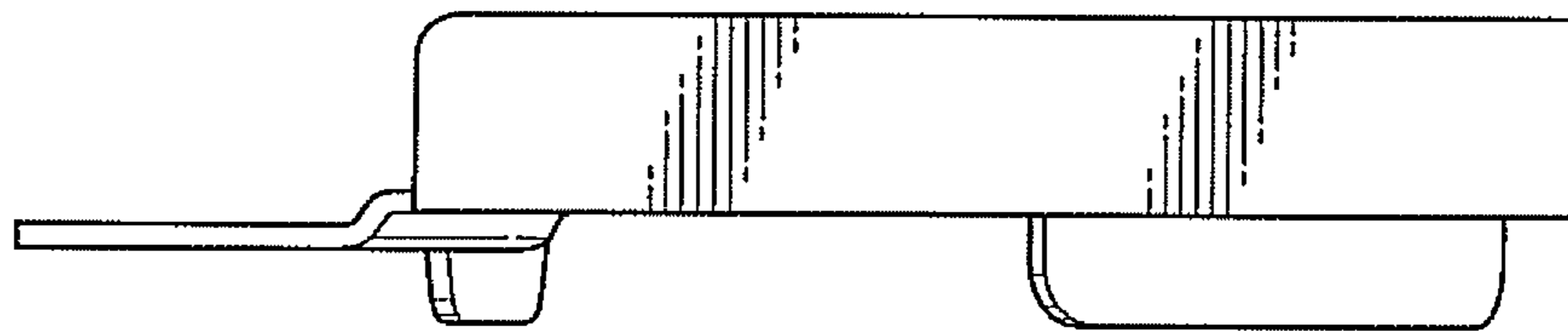


FIG. 64

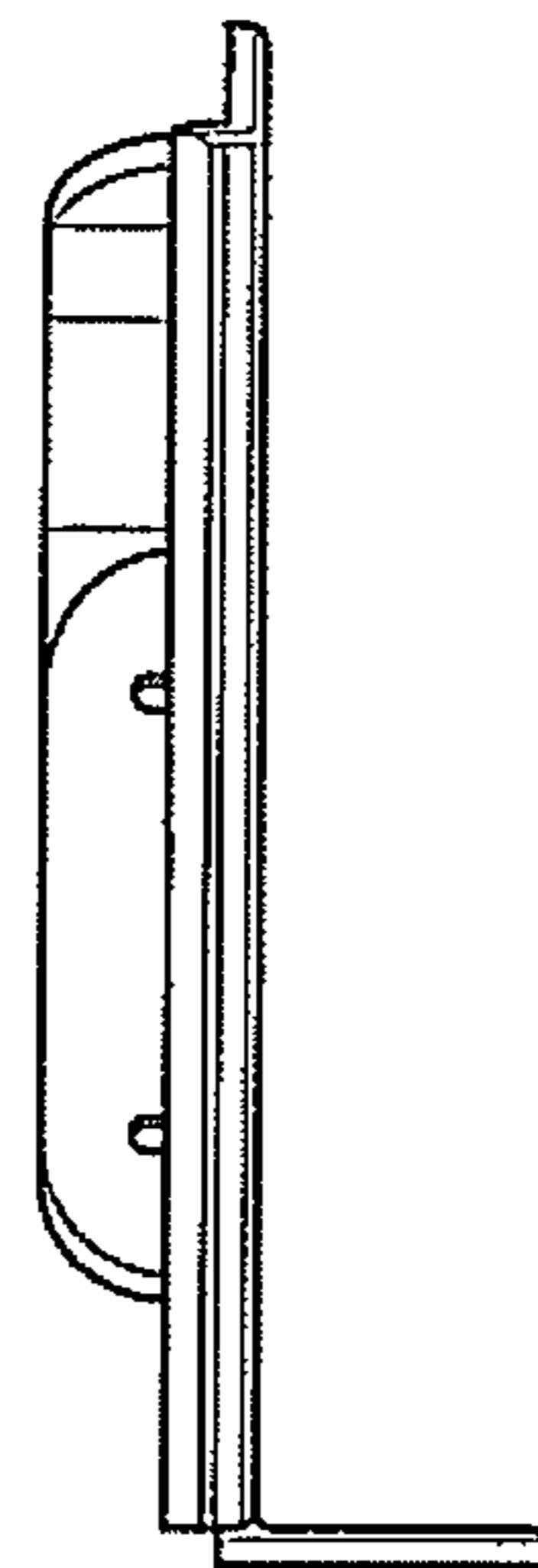


FIG. 65