



US00D718225S

(12) **United States Design Patent**
Yasunaga

(10) **Patent No.:** **US D718,225 S**
(45) **Date of Patent:** **** Nov. 25, 2014**

(54) **TIRE**

FOREIGN PATENT DOCUMENTS

(71) Applicant: **Toyo Tire & Rubber Co., Ltd.**, Osaka (JP)

JP 955670 6/1996
JP D1381777 3/2010

(72) Inventor: **Toshikazu Yasunaga**, Osaka (JP)

* cited by examiner

(73) Assignee: **Toyo Tire & Rubber Co., Ltd.**, Osaka (JP)

Primary Examiner — George D Kirschbaum
(74) *Attorney, Agent, or Firm* — Sterne, Kessler, Goldstein & Fox P.L.L.C.

(**) Term: **14 Years**

(21) Appl. No.: **29/456,555**

(57) **CLAIM**
The ornamental design for a tire, as shown and described.

(22) Filed: **May 31, 2013**

DESCRIPTION

(30) **Foreign Application Priority Data**

Apr. 17, 2013 (JP) 2013-008642

(51) **LOC (10) Cl.** **12-15**

(52) **U.S. Cl.**
USPC **D12/565**

(58) **Field of Classification Search**
USPC D12/533-567; 152/209.1-209.9
See application file for complete search history.

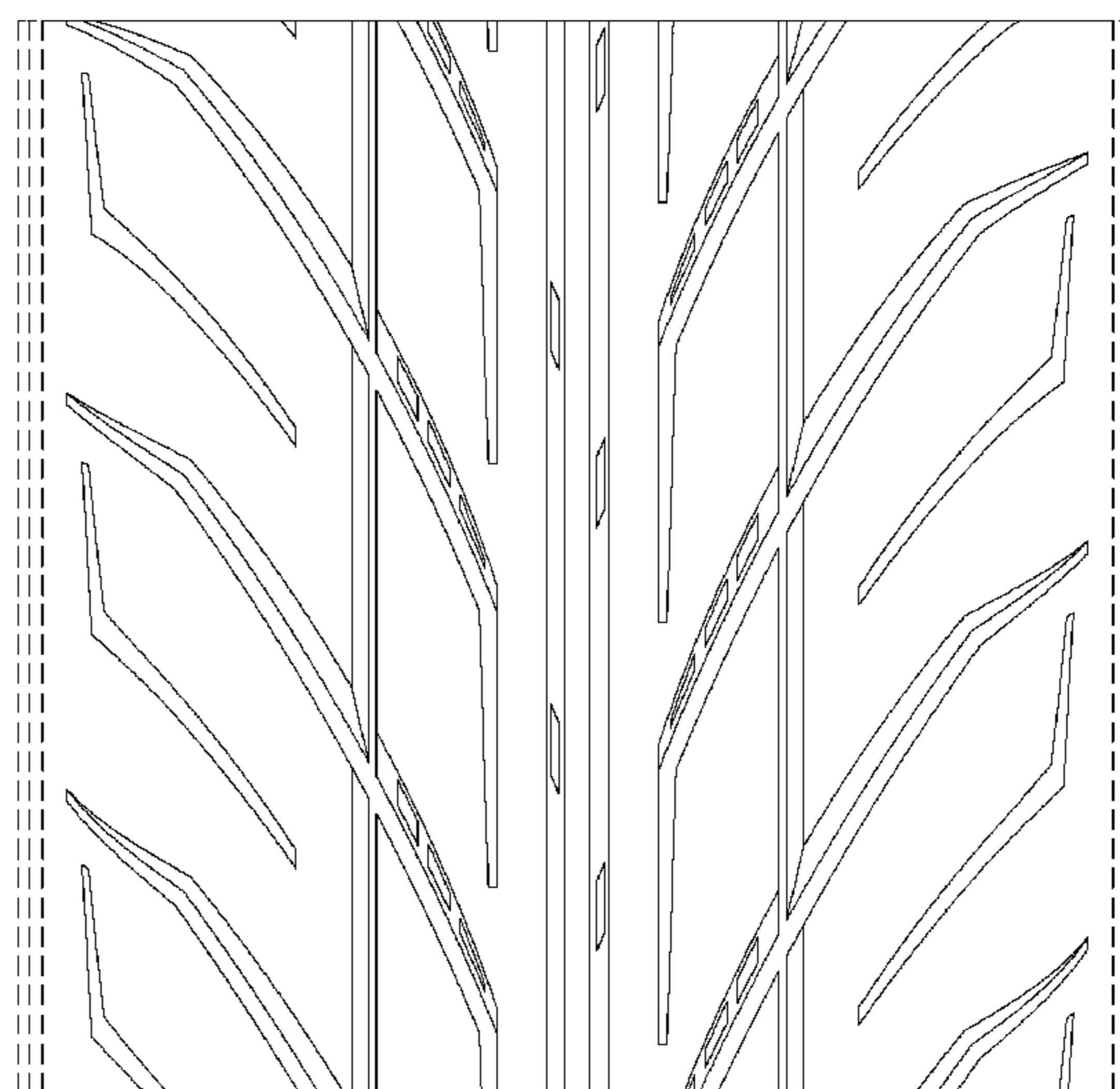
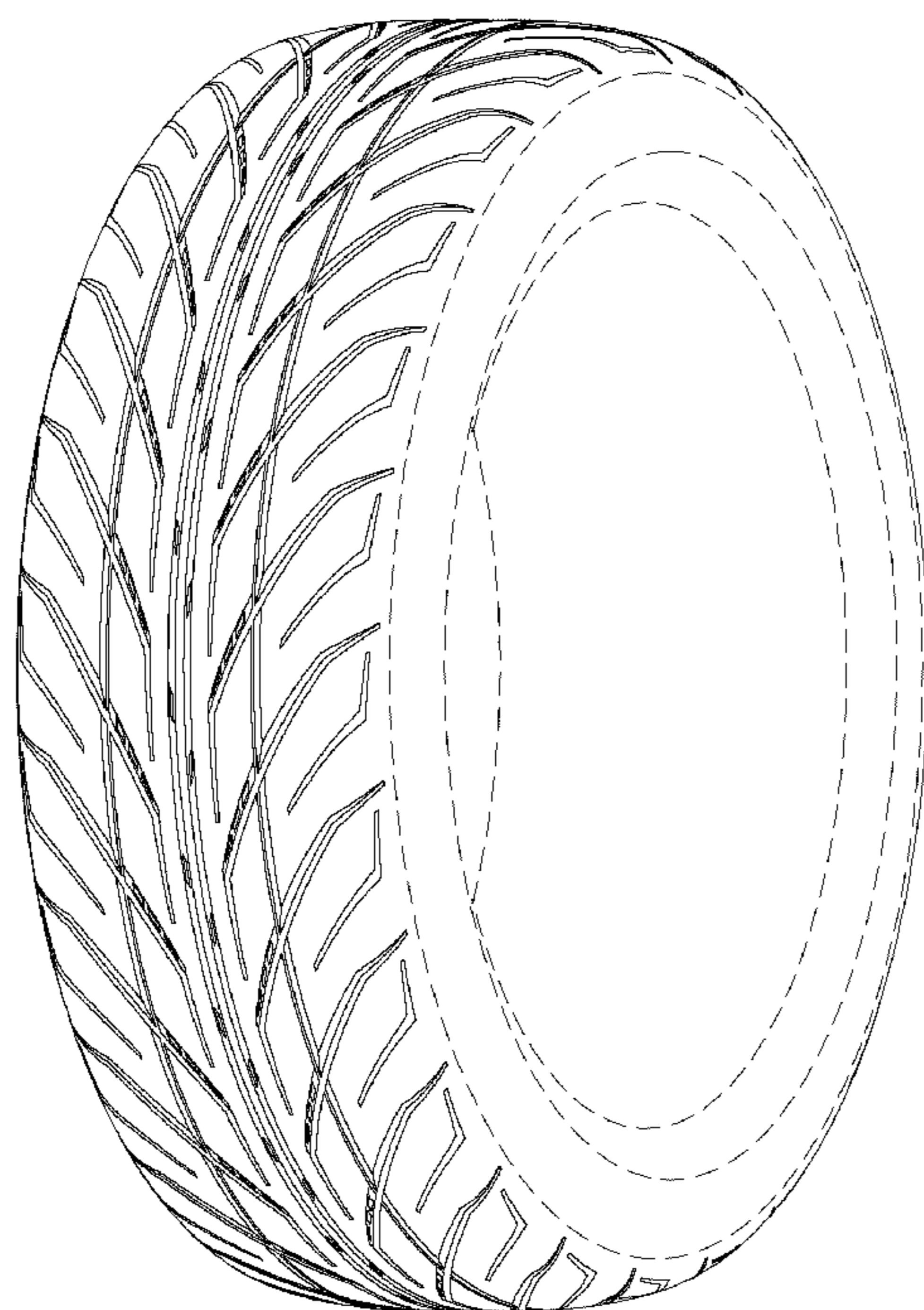
FIG. 1 is a perspective view of a tire showing my new design;
FIG. 2 is a front view thereof;
FIG. 3 is a rear view thereof;
FIG. 4 is a top plan view thereof, for which the bottom plan view is the same;
FIG. 5 is a right side view thereof;
FIG. 6 is a left side view thereof;
FIG. 7 is an enlarged view taken along lines 7-7 and 7'-7' in FIG. 2; and,
FIG. 8 is an enlarged cross-sectional view taken along line 8-8 in FIG. 2 and line 8'-8' in FIG. 5.
In the drawings, the broken lines showing portions of the sidewall and inner bead depict portions of the tire which form no part of the claimed design.

(56) **References Cited**

U.S. PATENT DOCUMENTS

D491,518 S 6/2004 Miyabe et al.
D525,191 S * 7/2006 Okubo D12/550
D588,980 S * 3/2009 Sato D12/550

1 Claim, 8 Drawing Sheets



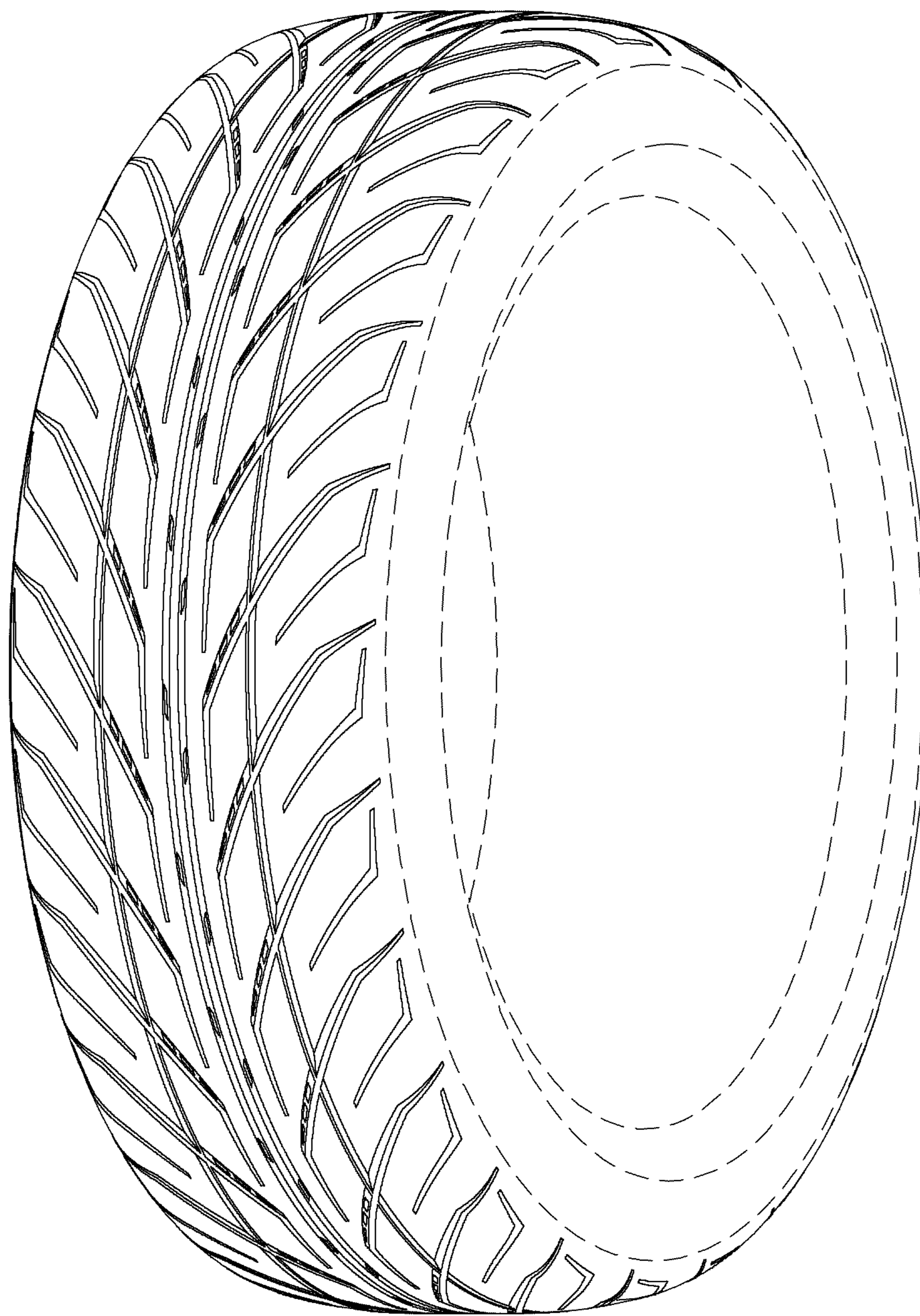


FIG. 1

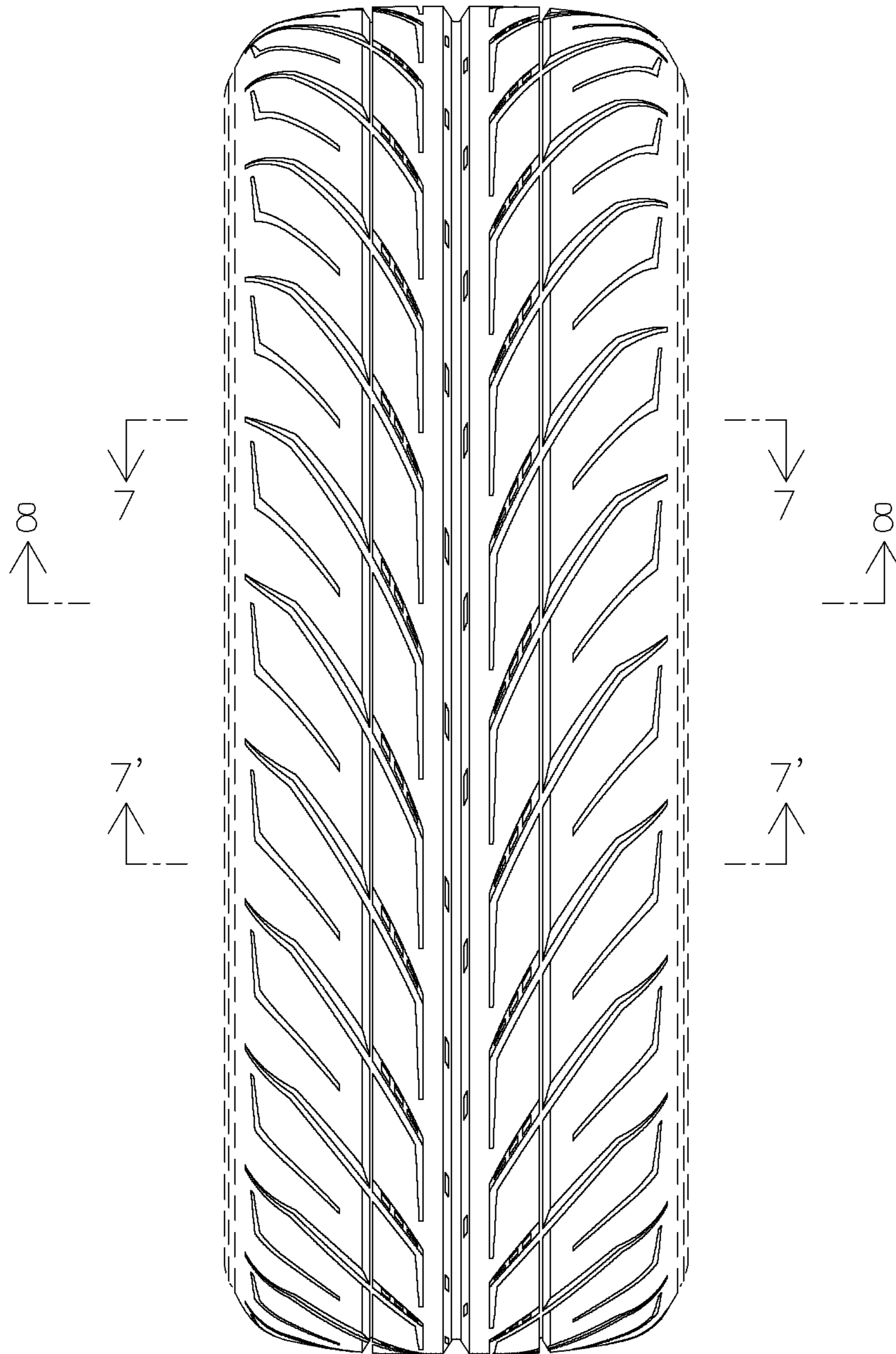


FIG. 2

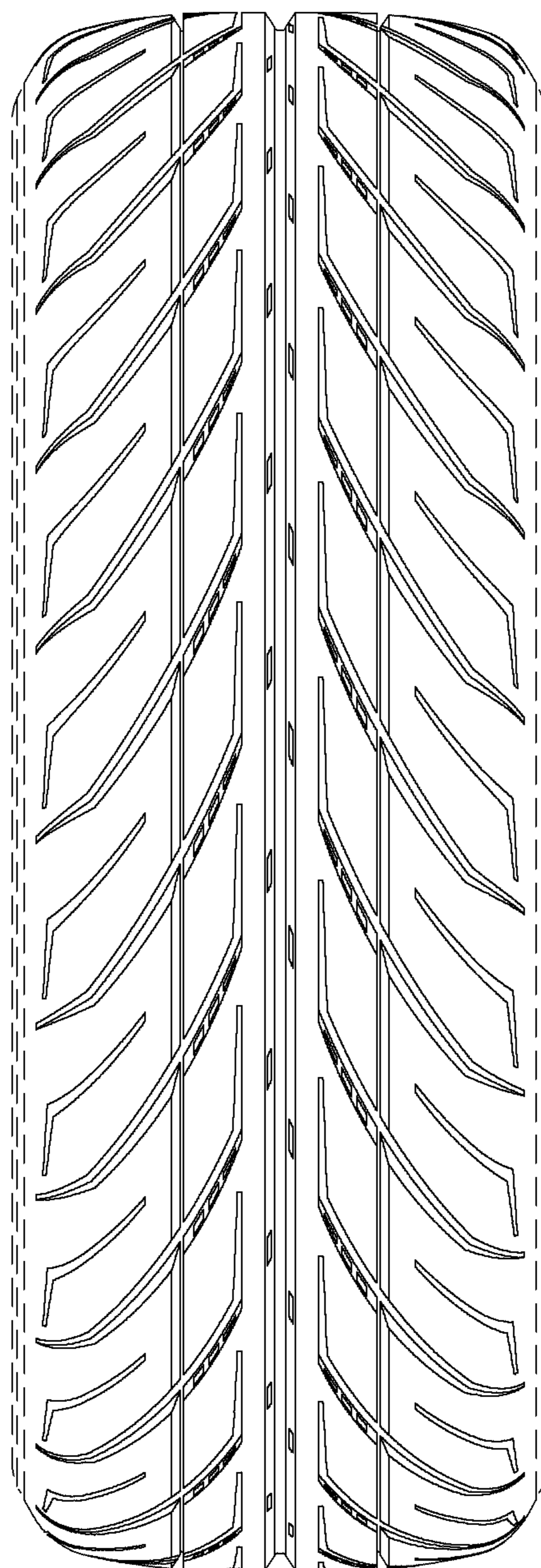


FIG. 3

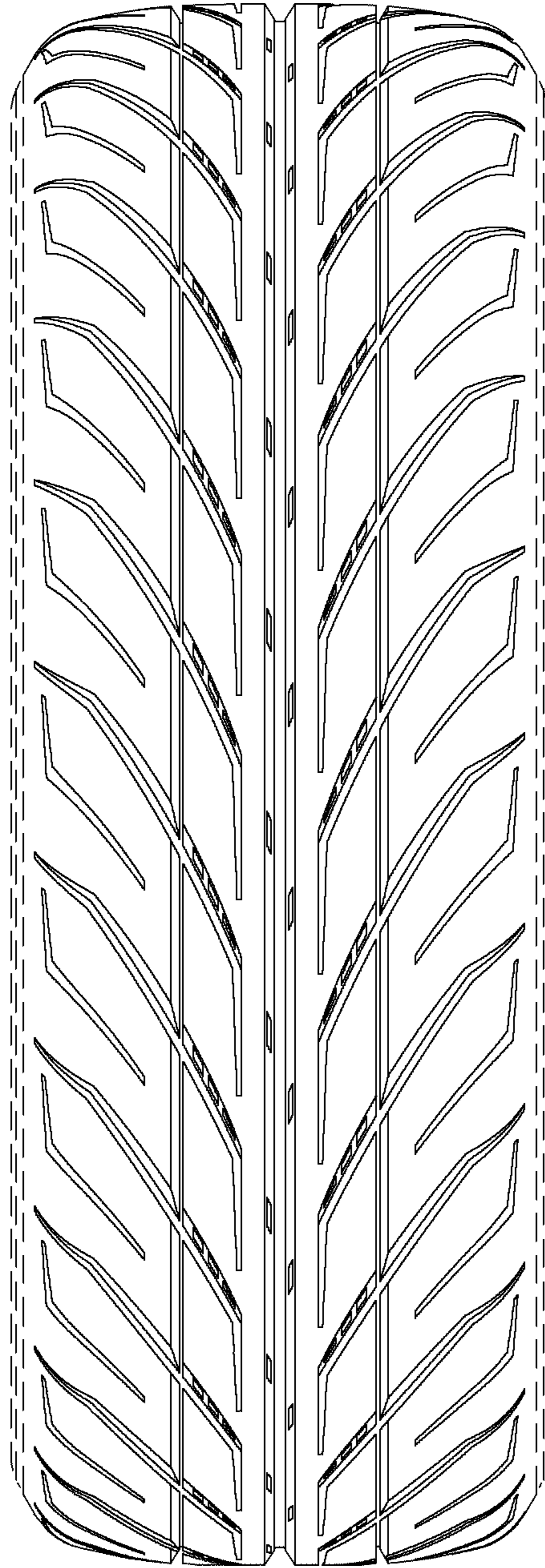


FIG. 4

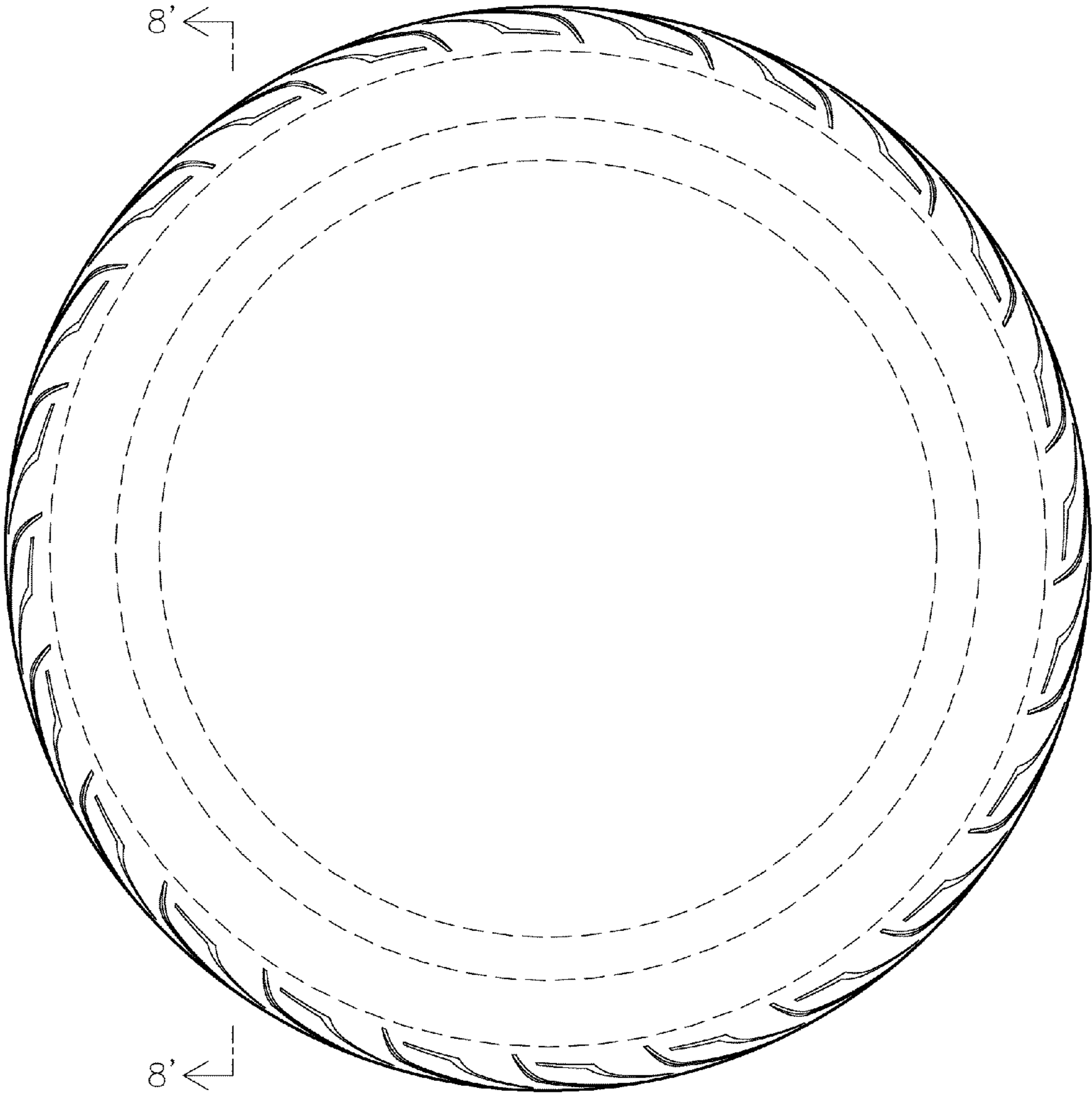


FIG. 5

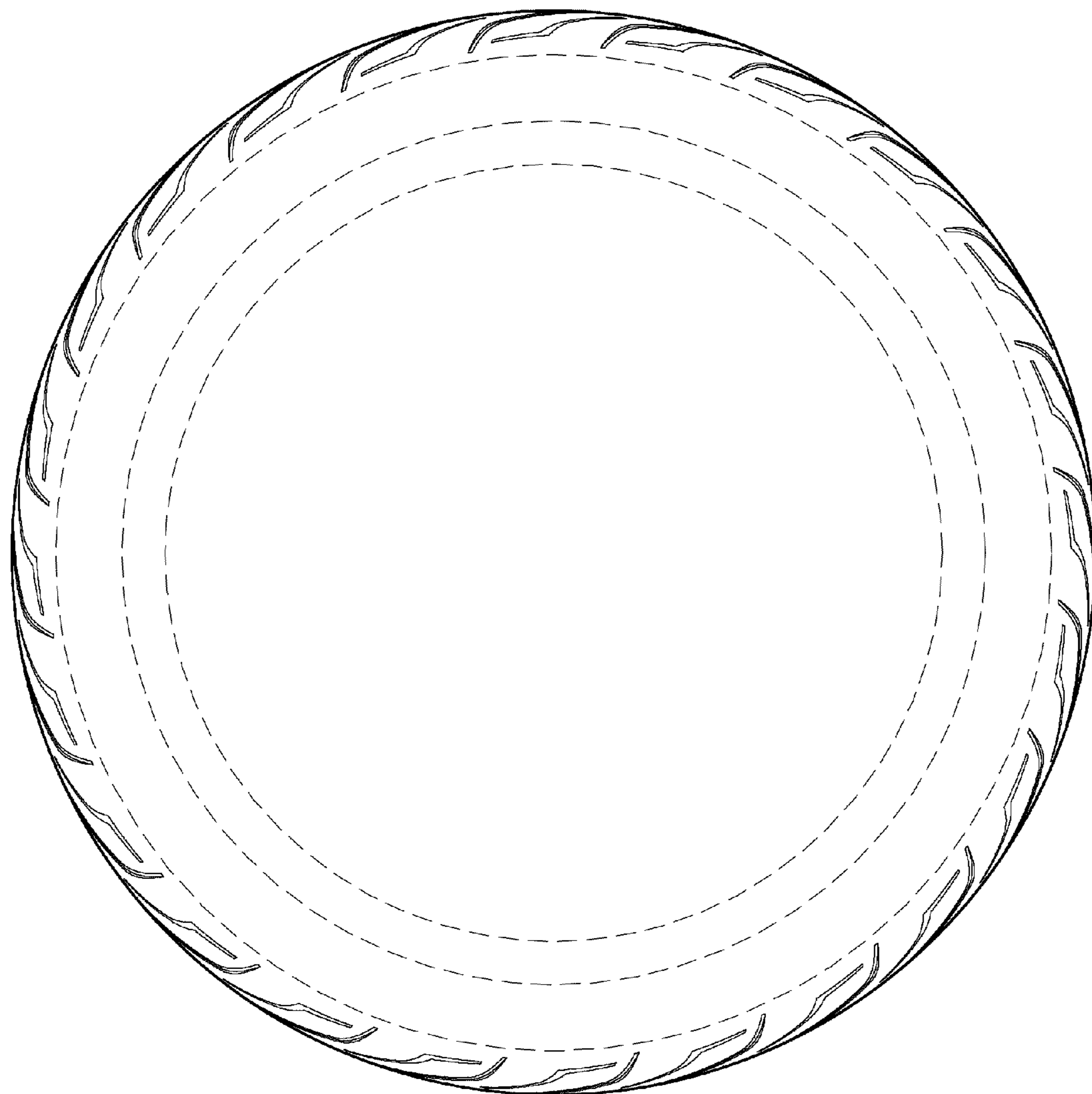


FIG. 6

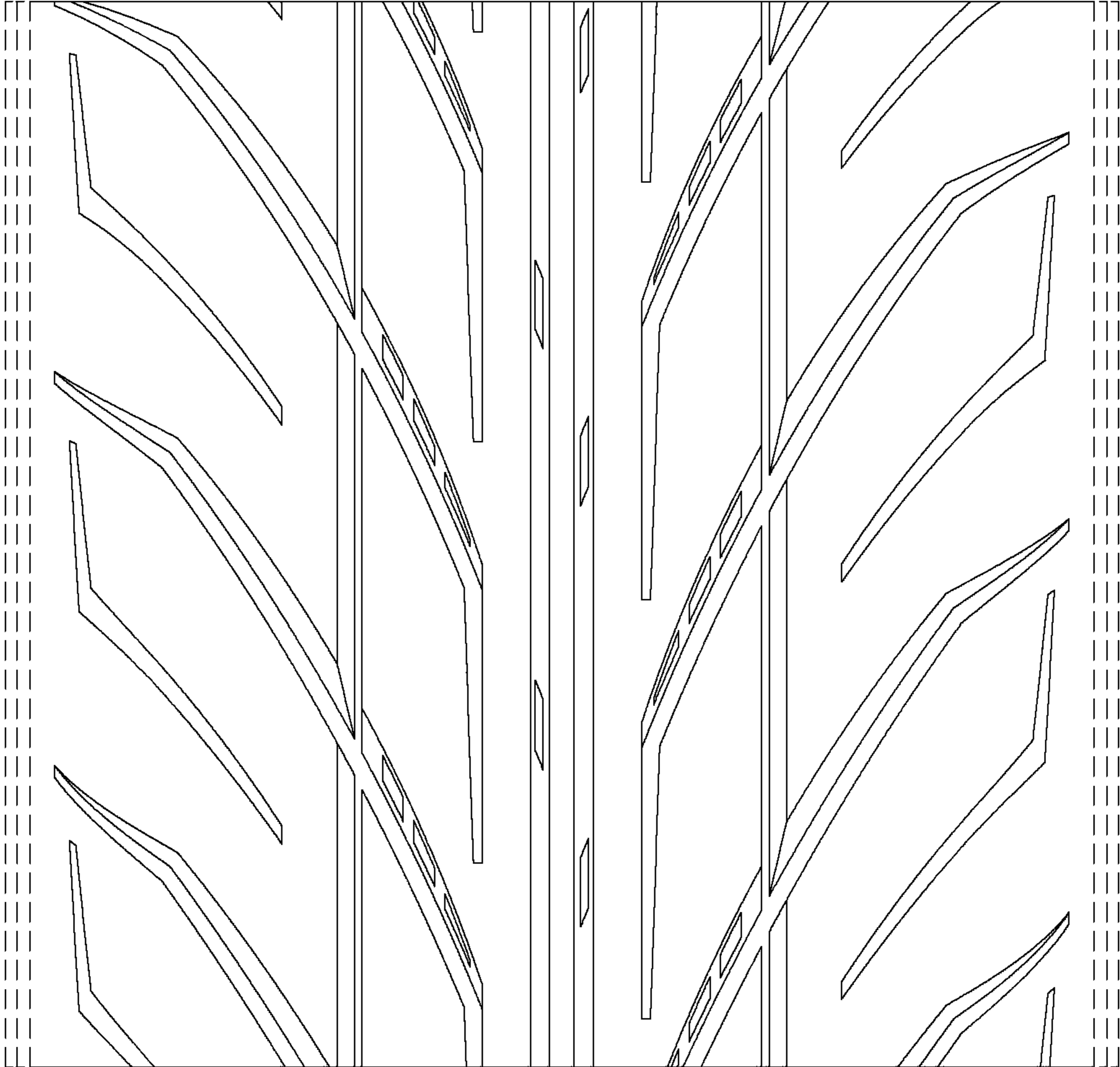


FIG. 7

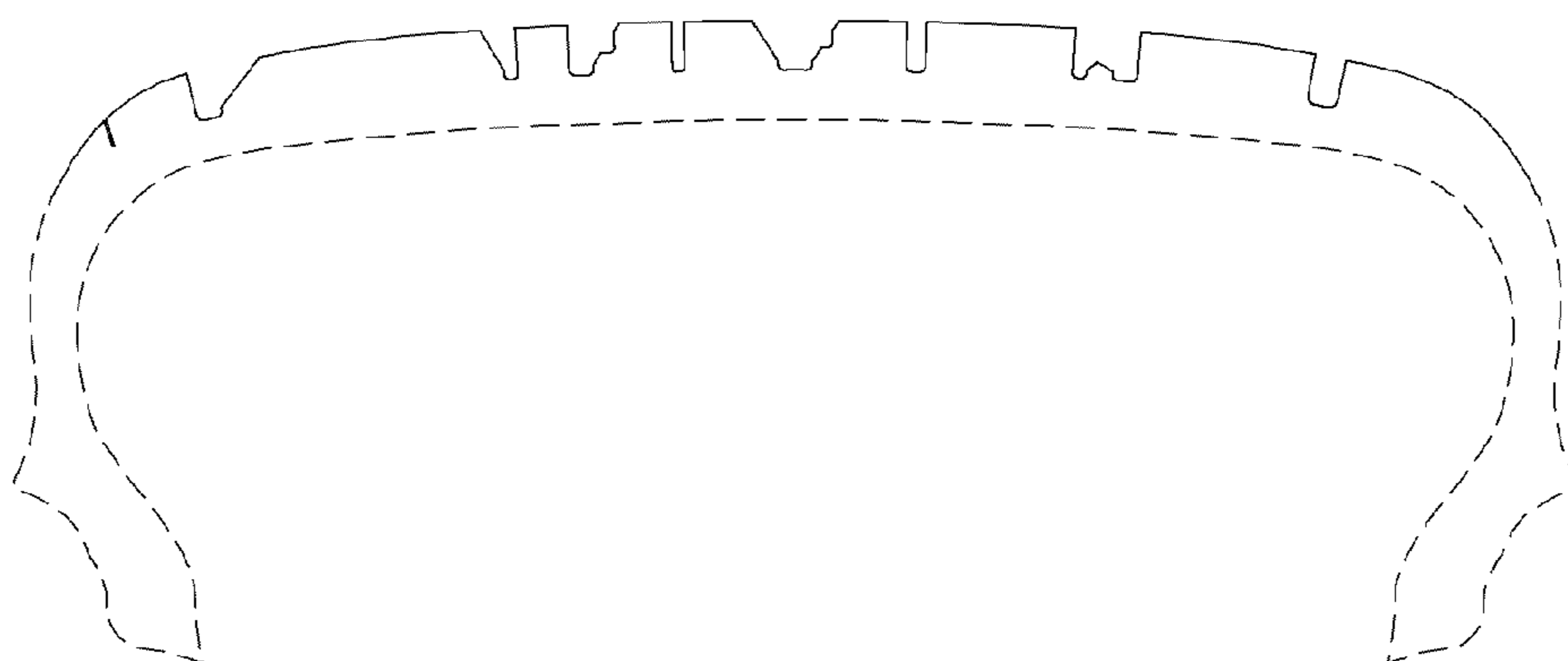


FIG. 8