



US00D718217S

(12) **United States Design Patent**
Detweiler et al.

(10) **Patent No.:** **US D718,217 S**

(45) **Date of Patent:** **** Nov. 25, 2014**

(54) **RETRACTABLE RAIL**

D695,206 S * 12/2013 Eriksson D12/414

(71) Applicant: **Thule Sweden AB**, Hillerstorp (SE)

* cited by examiner

(72) Inventors: **James Paul Detweiler**, Bristol, CT (US);
Ash Patel, Newtown, CT (US)

Primary Examiner — Katrina A Betton

(74) *Attorney, Agent, or Firm* — Novak Druce Connolly
Bove + Quigg LLP

(73) Assignee: **Thule Sweden AB**, Hillerstorp (SE)

(57) **CLAIM**

(**) Term: **14 Years**

We claim the ornamental design for a retractable rail, as shown and described.

(21) Appl. No.: **29/461,778**

DESCRIPTION

(22) Filed: **Jul. 26, 2013**

(51) **LOC (10) Cl.** **12-16**

(52) **U.S. Cl.**

USPC **D12/414**

(58) **Field of Classification Search**

USPC D12/414; D32/35, 58; D6/317–319,
D6/513–514; 206/213, 8, 9, 279, 290, 713,
206/335

See application file for complete search history.

FIG. 1 is a perspective view of a retractable rail in a first configuration;

FIG. 2 is a front elevational view thereof;

FIG. 3 is a back elevational view thereof;

FIG. 4 is a top plan view thereof;

FIG. 5 is a bottom plan view thereof;

FIG. 6 is a left side elevational view thereof;

FIG. 7 is a right side elevational view thereof;

FIG. 8 is an alternative perspective view of the retractable rail in a second configuration;

FIG. 9 is a front elevational view thereof;

FIG. 10 is a back elevational view thereof;

FIG. 11 is a top plan view thereof;

FIG. 12 is a bottom plan view thereof;

FIG. 13 is a left side elevational view thereof;

FIG. 14 is a right side elevational view thereof; and,

FIG. 15 is a perspective enlarged view of a securing component of the retractable rail.

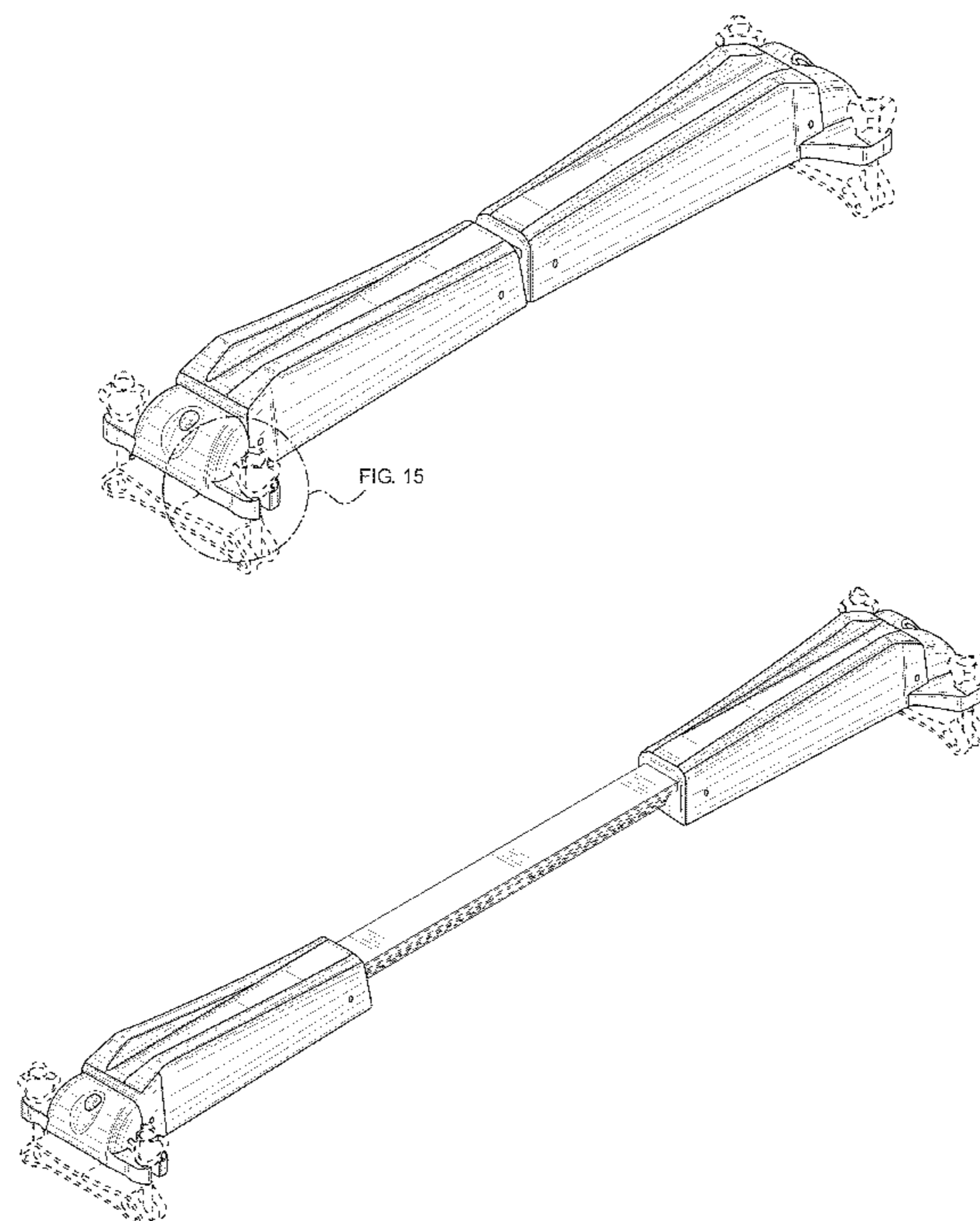
Broken lines are used to illustrate unclaimed portions of the retractable rail; broken lines form no part of the claimed design.

(56) **References Cited**

U.S. PATENT DOCUMENTS

2,772,824	A	*	12/1956	Binding	224/319
D332,243	S	*	1/1993	Collins	D12/413
5,456,397	A	*	10/1995	Pedrini	224/324
D415,096	S	*	10/1999	Englander et al.	D12/406
D555,573	S	*	11/2007	Kemery et al.	D12/412
D566,034	S	*	4/2008	Davis et al.	D12/408
D574,096	S	*	7/2008	Klinkman et al.	D26/28
D642,112	S	*	7/2011	Farber	D12/414
D692,113	S	*	10/2013	Eilmus	D23/308
D694,170	S	*	11/2013	Eriksson	D12/414
D694,700	S	*	12/2013	Sankey et al.	D12/414

1 Claim, 9 Drawing Sheets



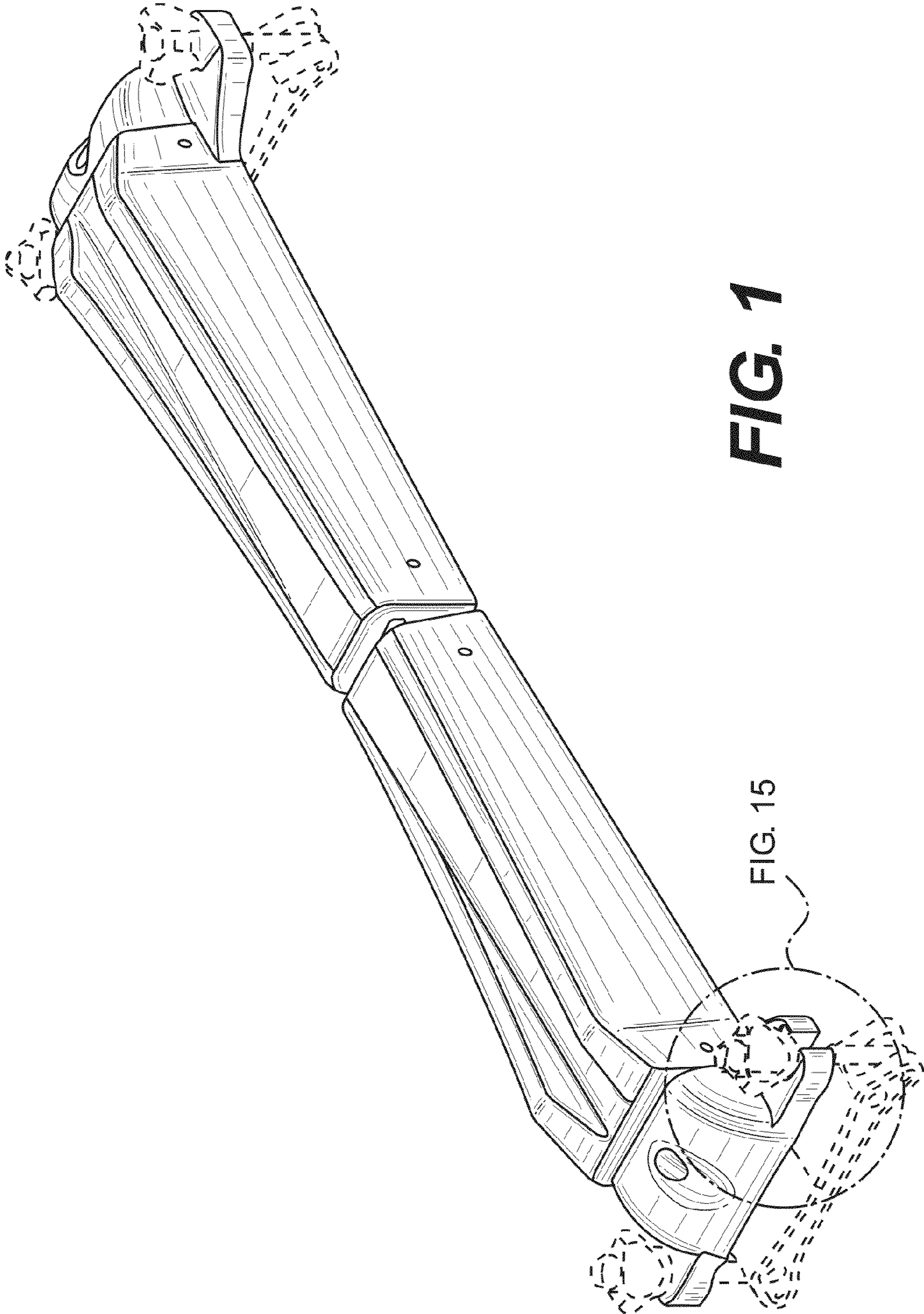


FIG. 1

FIG. 15

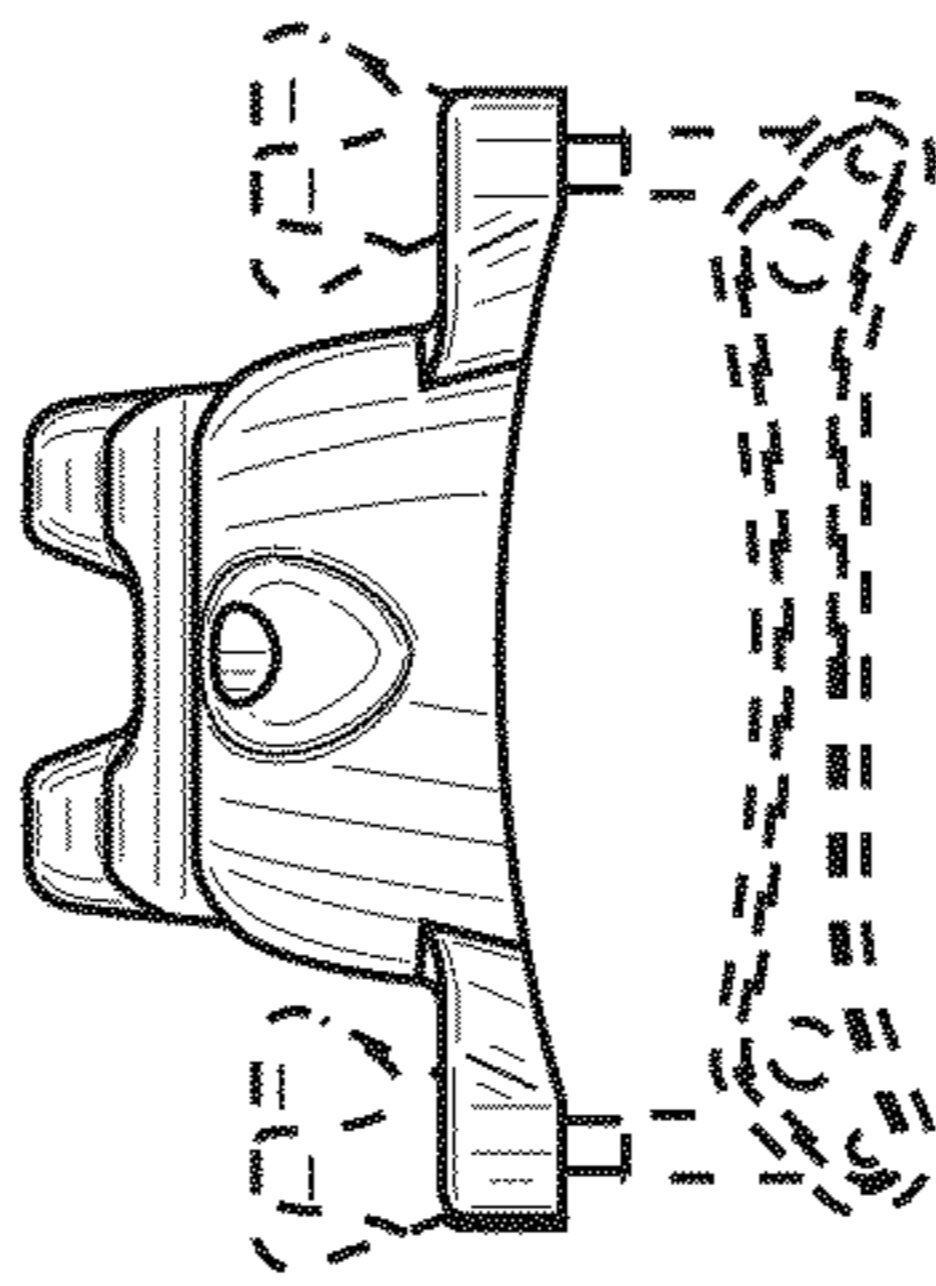


FIG. 2

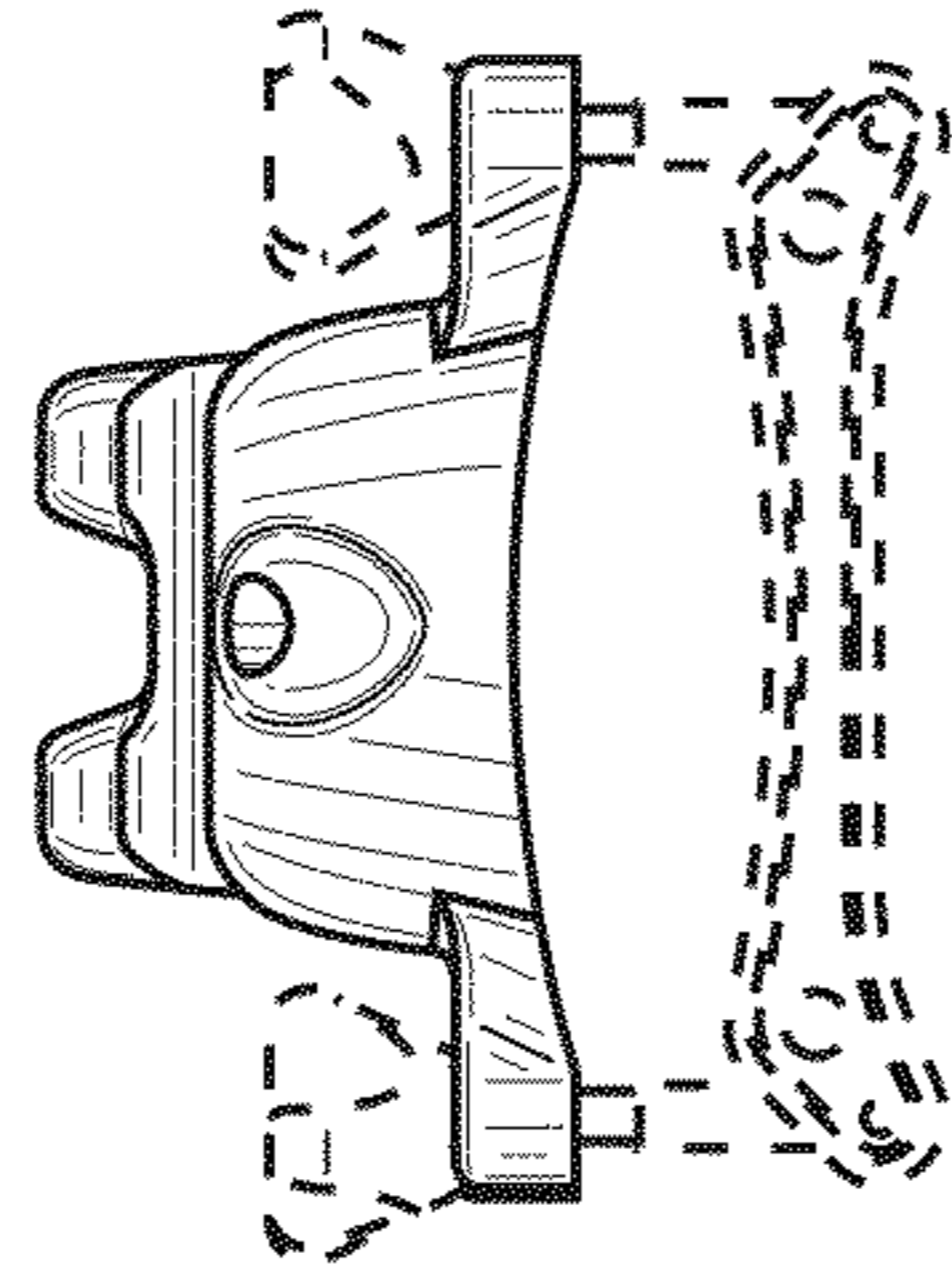


FIG. 3

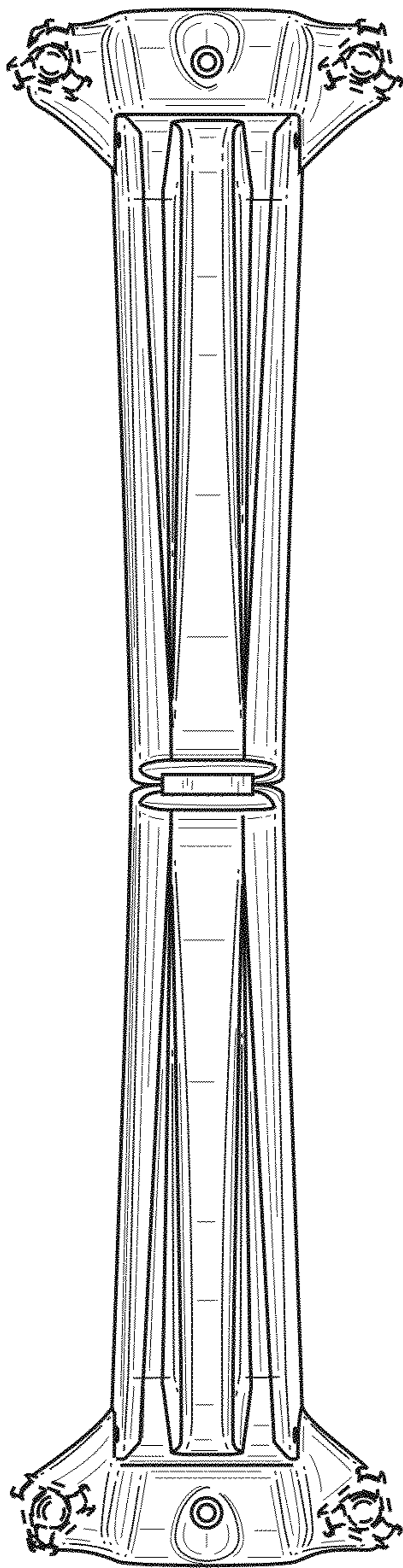


FIG. 4

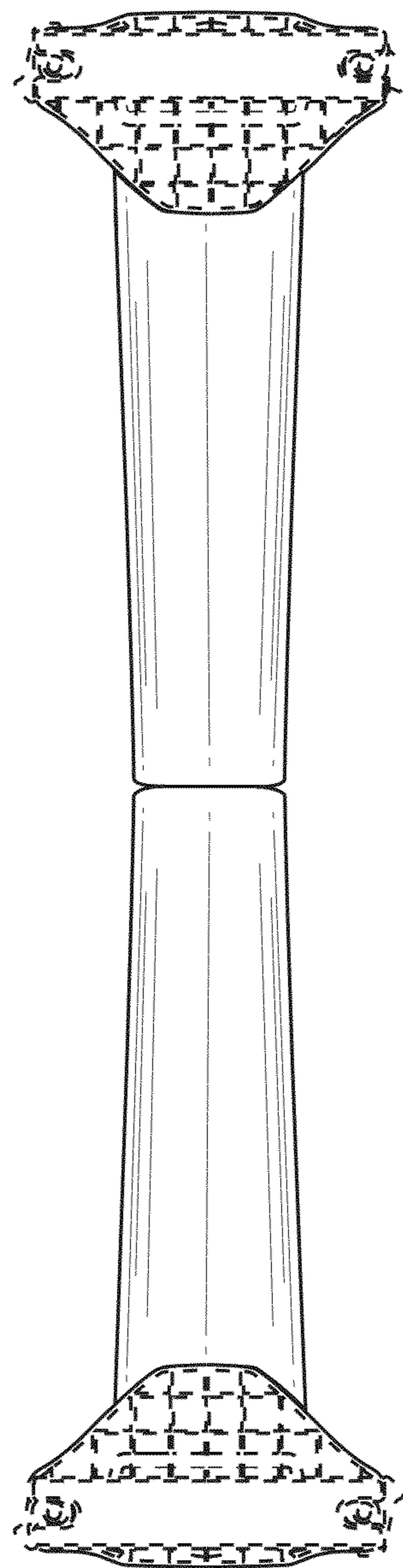


FIG. 5

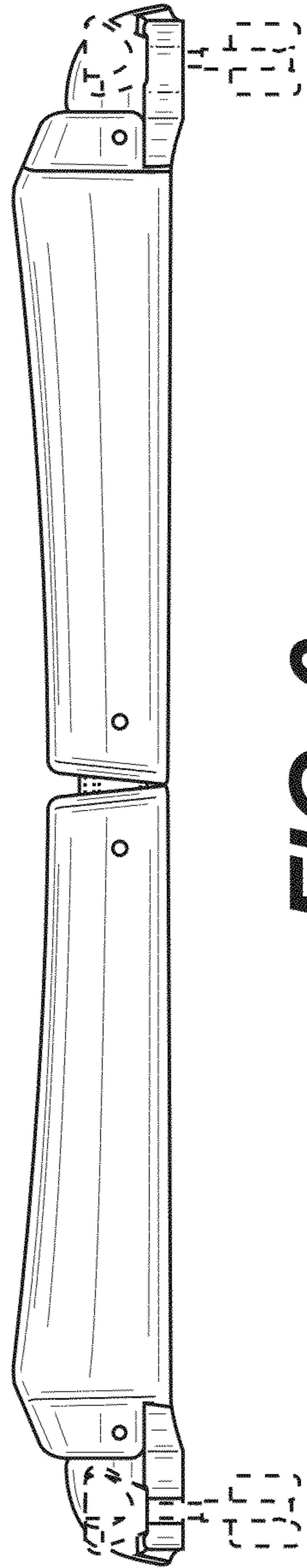


FIG. 6

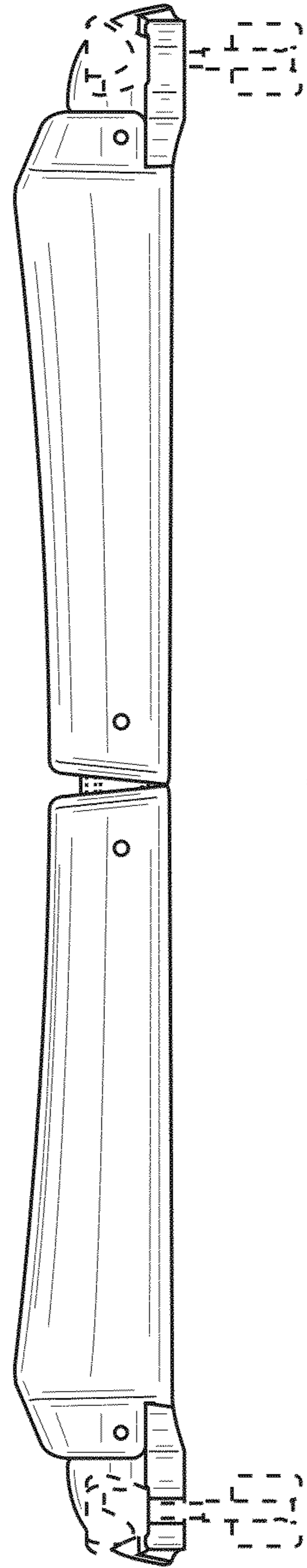


FIG. 7

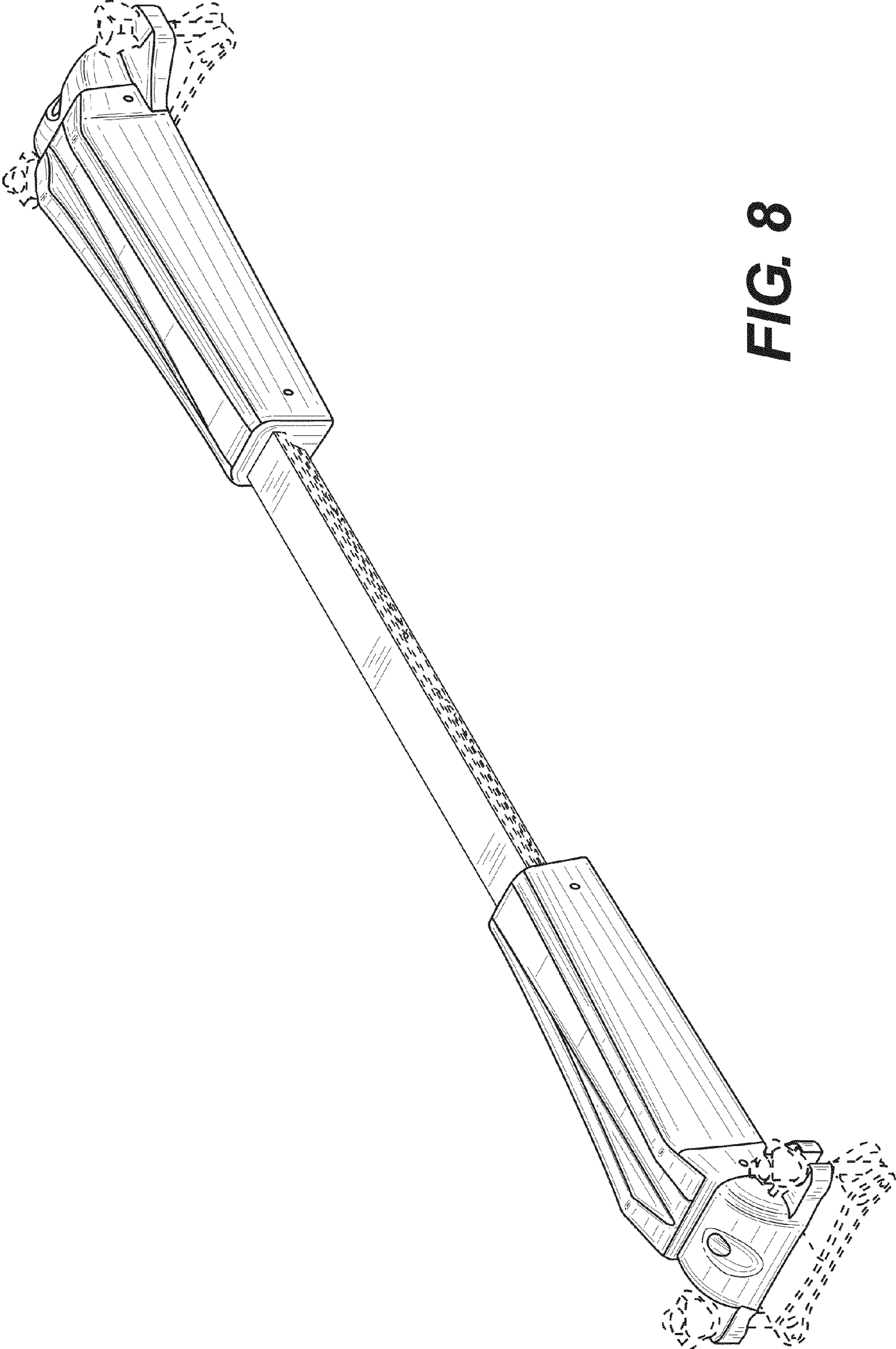


FIG. 8

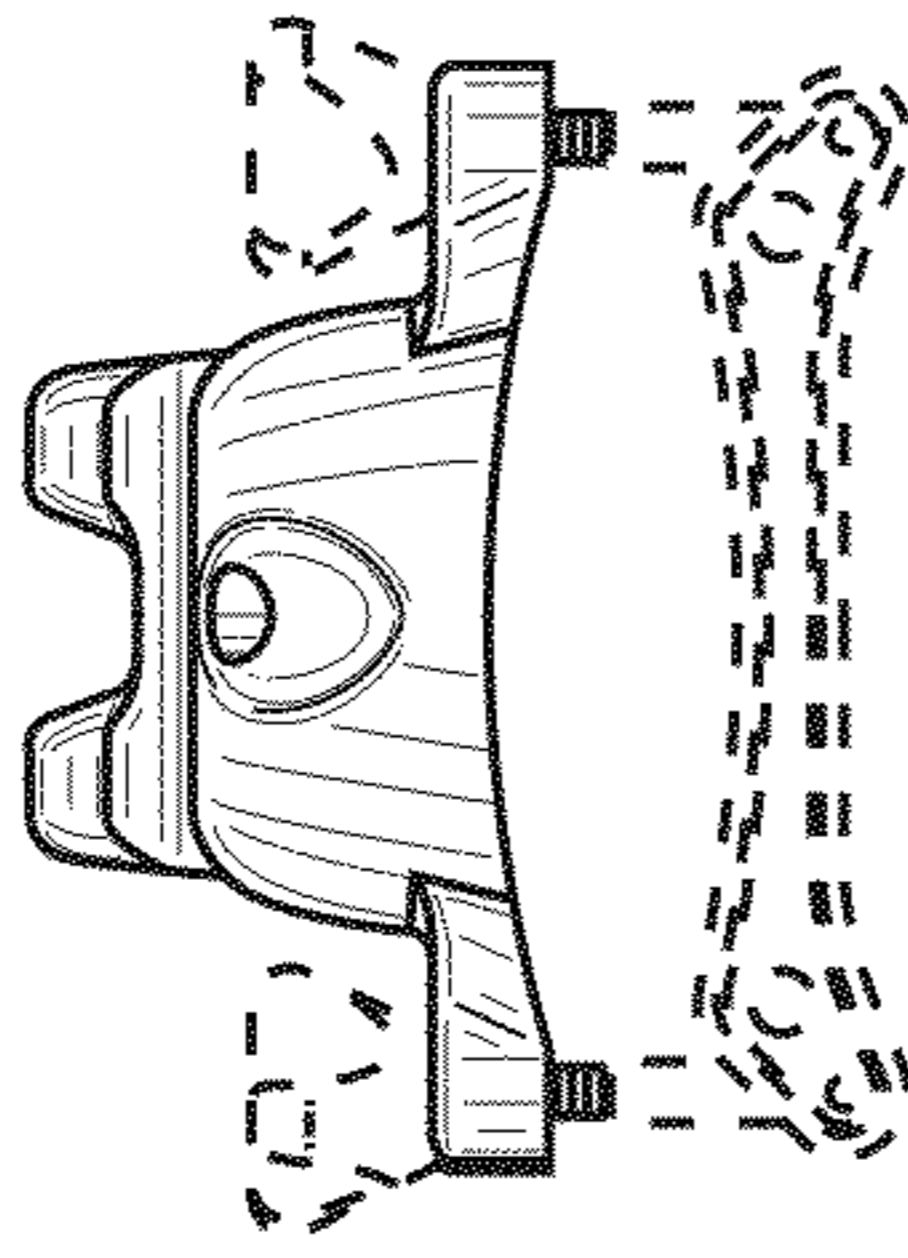


FIG. 9

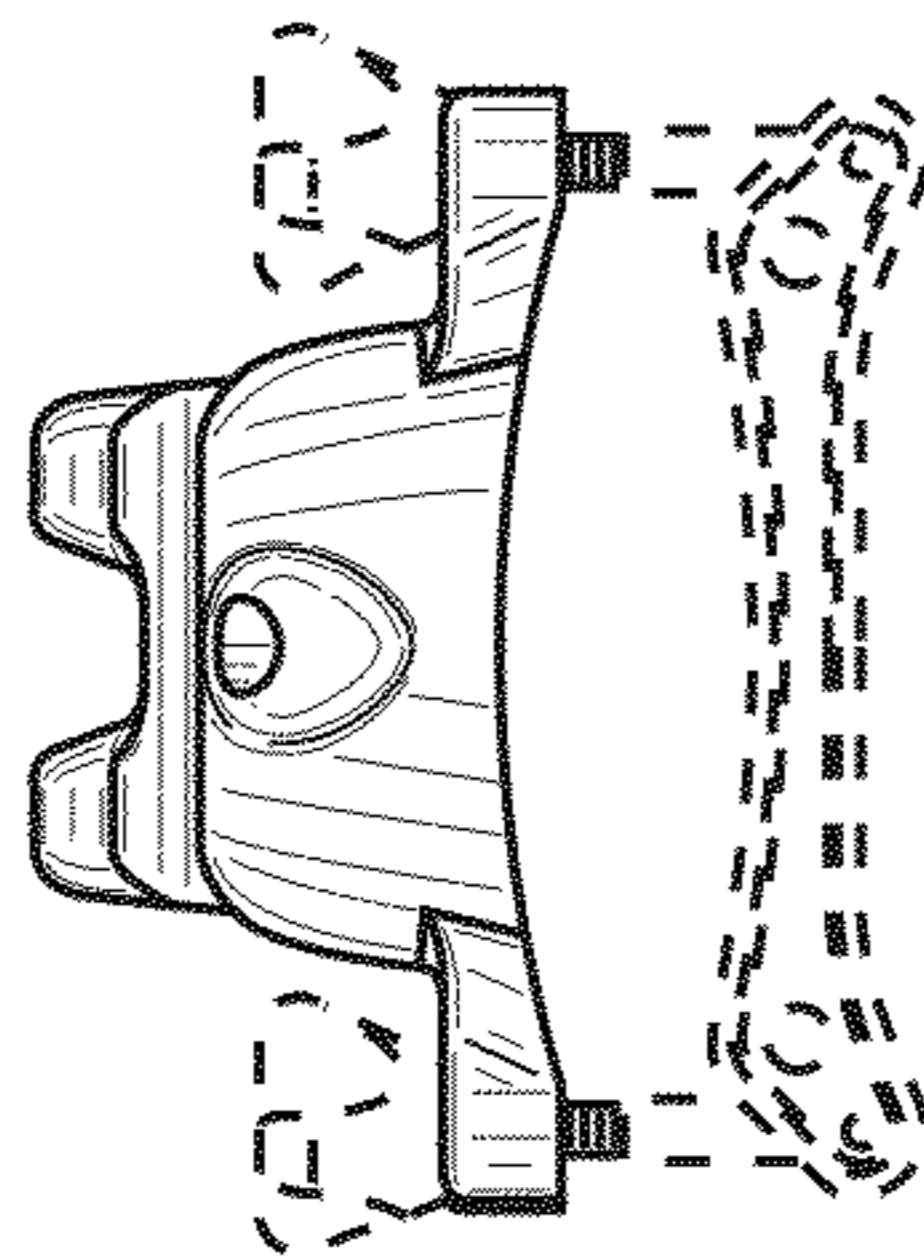


FIG. 10

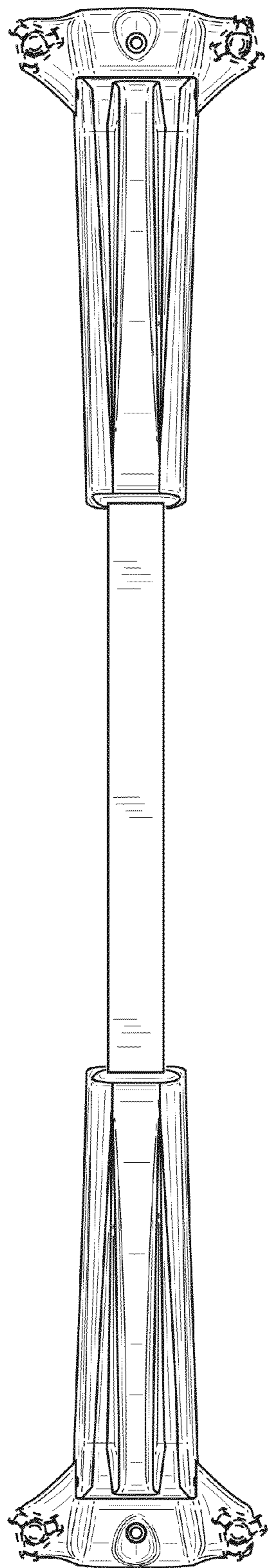


FIG. 11

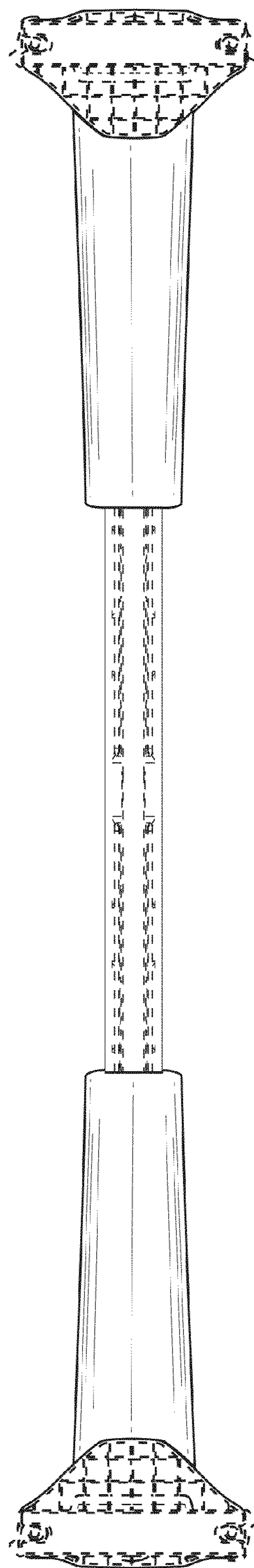


FIG. 12

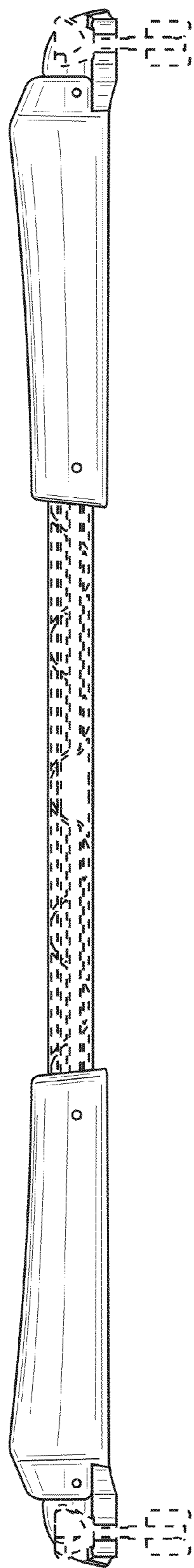


FIG. 13

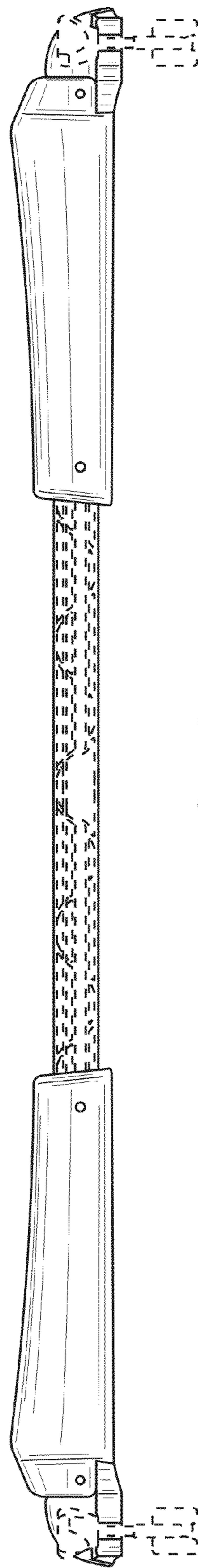


FIG. 14

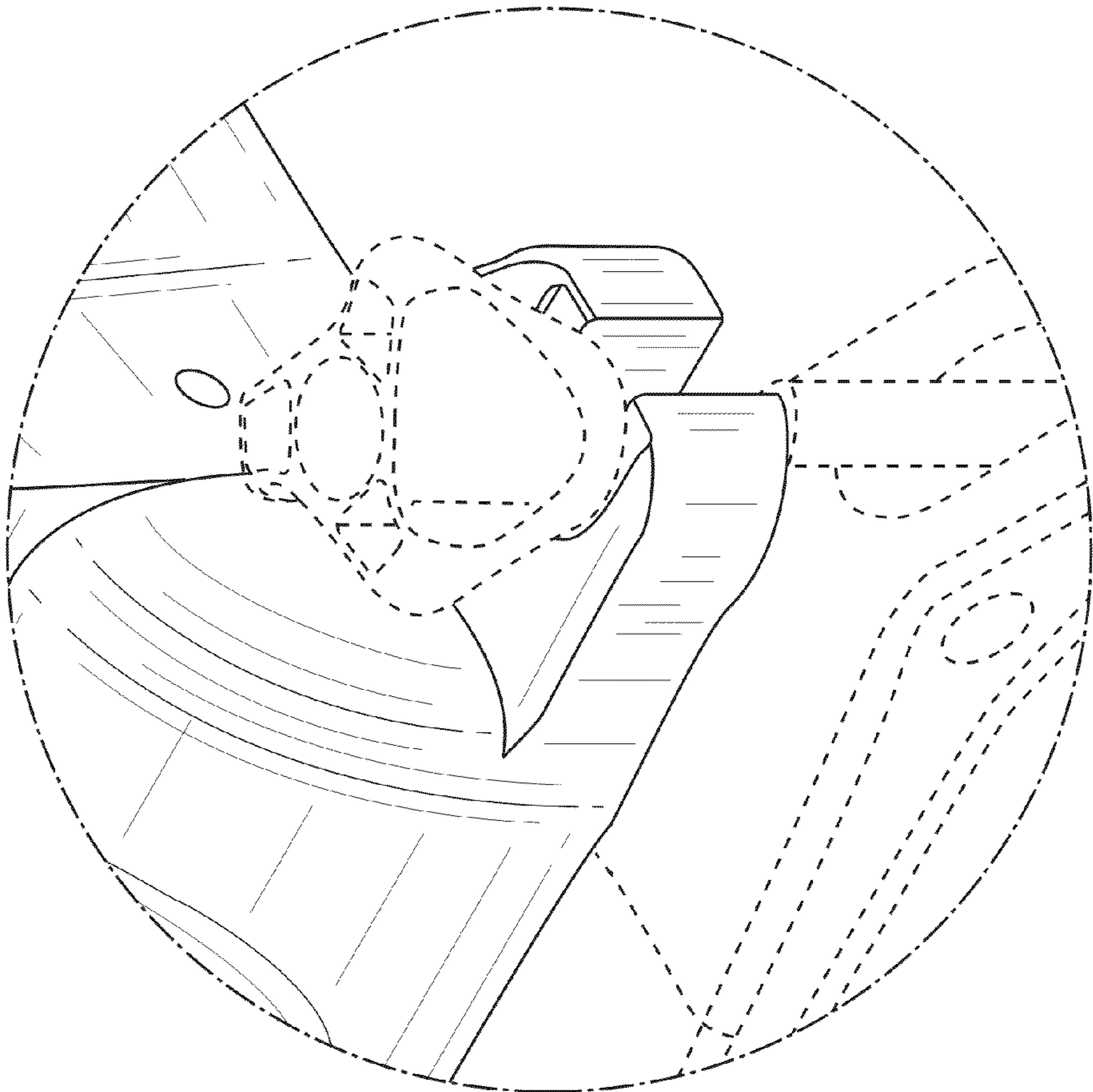


FIG. 15