



US00D718212S

(12) **United States Design Patent**
Fetta

(10) **Patent No.:** **US D718,212 S**

(45) **Date of Patent:** **** Nov. 25, 2014**

(54) **REMOVABLE NOVELTY VEHICLE DECOR**

(76) **Inventor:** **MaryNell T. Fetta**, Surfside Beach, SC
(US)

(**) **Term:** **14 Years**

(21) **Appl. No.:** **29/421,048**

(22) **Filed:** **May 9, 2012**

(51) **LOC (10) Cl.** **12-16**

(52) **U.S. Cl.**
USPC **D12/400**

(58) **Field of Classification Search**
USPC D12/89, 203, 314, 400; D28/36, 92;
280/5.3, 163, 164.2, 166, 169, 291;
D4/118, 119, 130, 131, 132
See application file for complete search history.

(56) **References Cited**

U.S. PATENT DOCUMENTS

D41,852	S	*	10/1911	Foster	D4/130
D167,968	S		10/1952	Candlin, Jr.		
2,960,786	A		11/1960	Wagner		
3,152,416	A	*	10/1964	MacLean	D12/84
D242,748	S	*	12/1976	Graham et al.	D4/118
5,312,030	A		5/1994	Baranalle		
5,549,939	A		8/1996	Ray		
5,549,940	A		8/1996	Noone		
D377,122	S	*	1/1997	Lofton	D4/132
D389,111	S		1/1998	Flattery et al.		
5,711,100	A		1/1998	Elmer		
5,939,155	A		8/1999	Voznick et al.		
D422,777	S		4/2000	Scott		
D424,305	S	*	5/2000	Lozeau et al.	D4/118
6,082,880	A		7/2000	Nertino et al.		

D450,031	S		11/2001	Hall		
D477,149	S	*	7/2003	Hay	D4/130
6,979,036	B2		12/2005	Poulos		
7,121,700	B1		10/2006	Scanlon		
D621,759	S		8/2010	Lee		
D637,554	S	*	5/2011	van der Lande	D13/108
D652,218	S	*	1/2012	Hoffelner	D4/118
D698,155	S	*	1/2014	Campbell et al.	D4/118
D702,895	S	*	4/2014	Mishan	D30/161
2010/0047487	A1	*	2/2010	Pfeiffer et al.	428/17
2010/0310794	A1		12/2010	Nordvik et al.		

* cited by examiner

Primary Examiner — Deanna L Pratt

Assistant Examiner — Natasha Vujcic

(74) *Attorney, Agent, or Firm* — Joseph F. Peters, Jr.

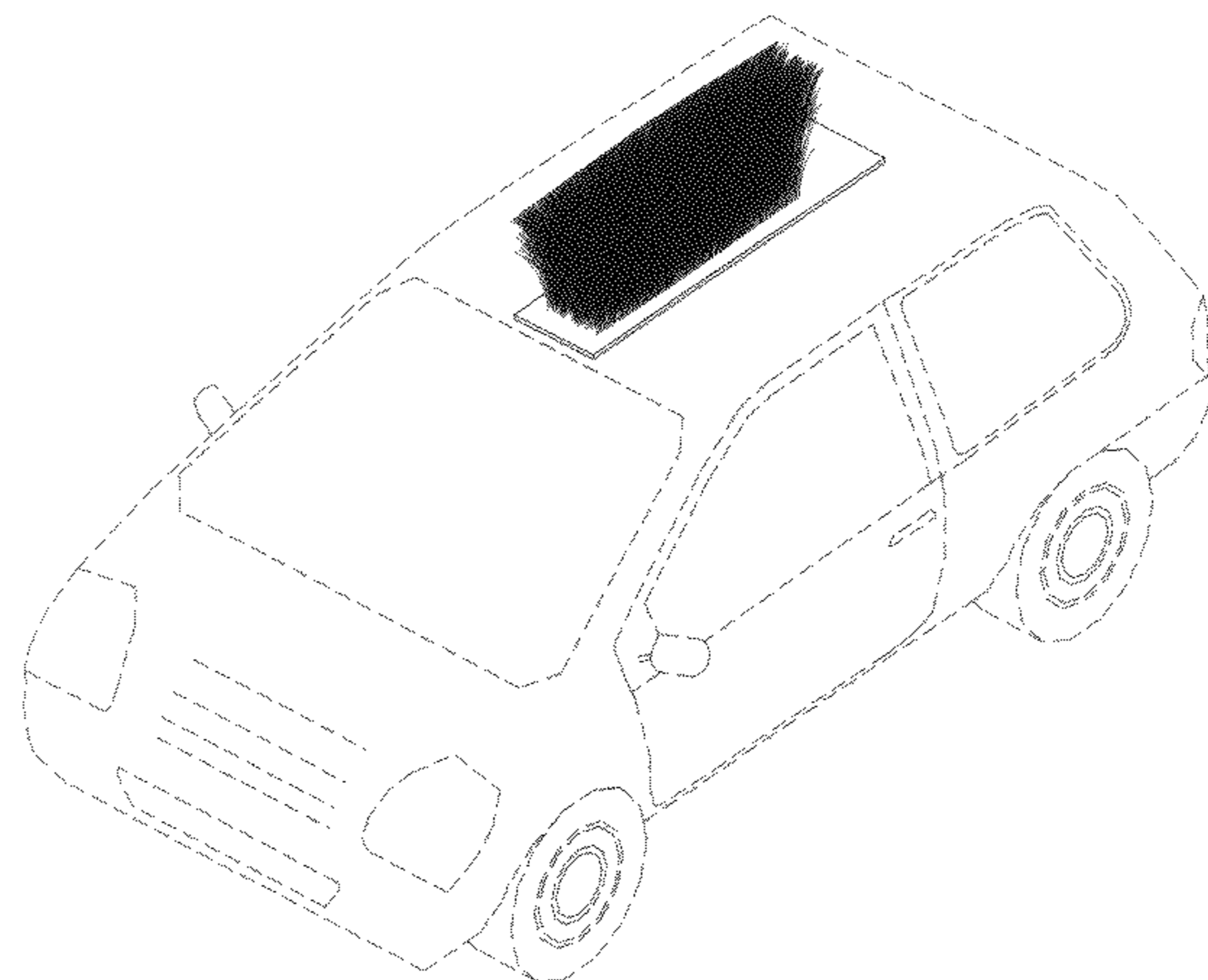
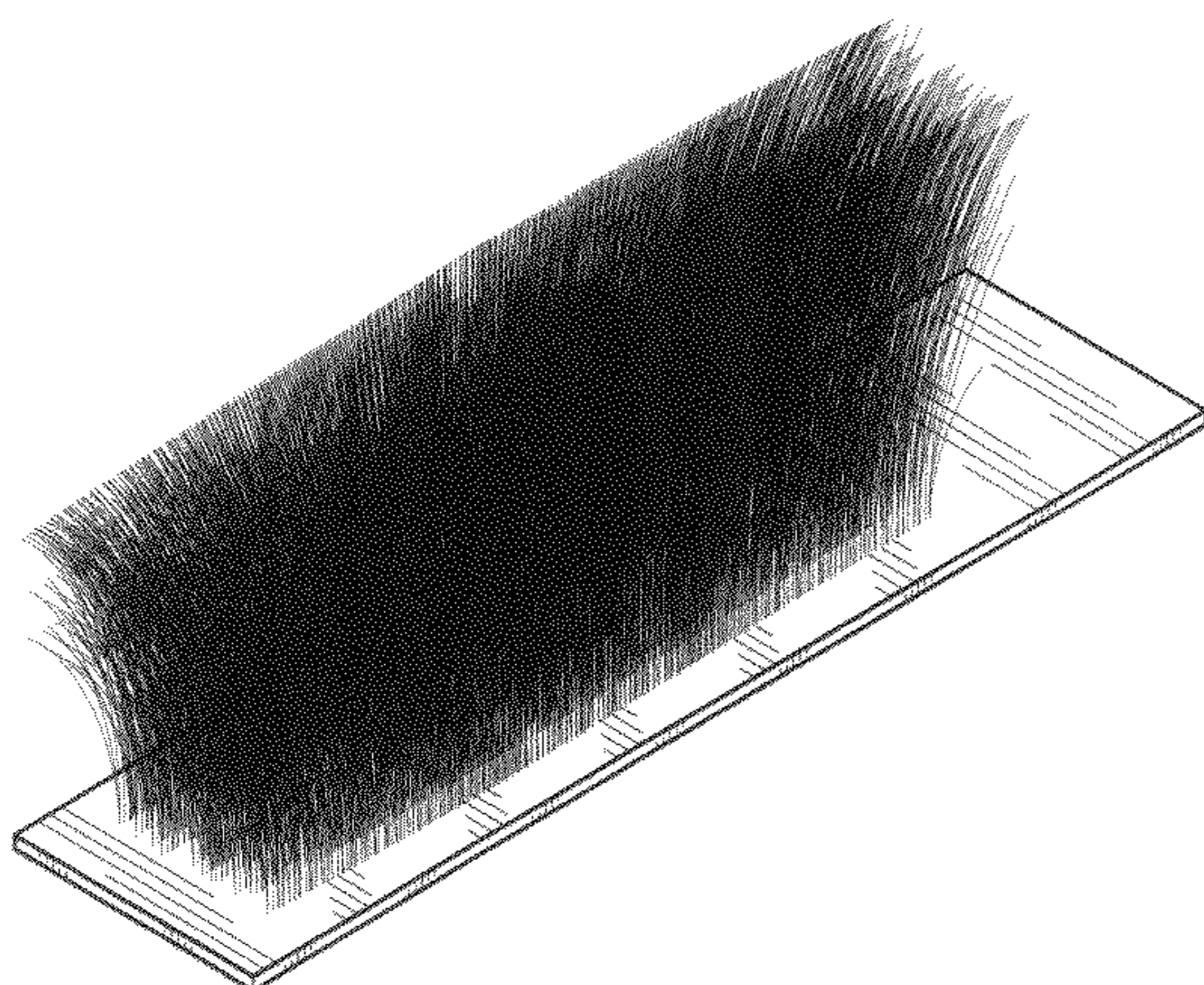
(57) **CLAIM**

The ornamental design for a removable novelty vehicle decor, as shown and described.

DESCRIPTION

FIG. 1 is a front perspective view of a removable novelty vehicle decor showing my design;
 FIG. 2 is a rear perspective view thereof;
 FIG. 3 is a left side view thereof;
 FIG. 4 is a right side view thereof;
 FIG. 5 is a top view thereof;
 FIG. 6 is a bottom view thereof;
 FIG. 7 is a front view thereof;
 FIG. 8 is a rear view thereof; and,
 FIG. 9 is a perspective view of the invention mounted on a vehicle; the vehicle being depicted by broken lines to illustrate the environment of the removable novelty vehicle decor and forming no part of the claimed design.

1 Claim, 7 Drawing Sheets



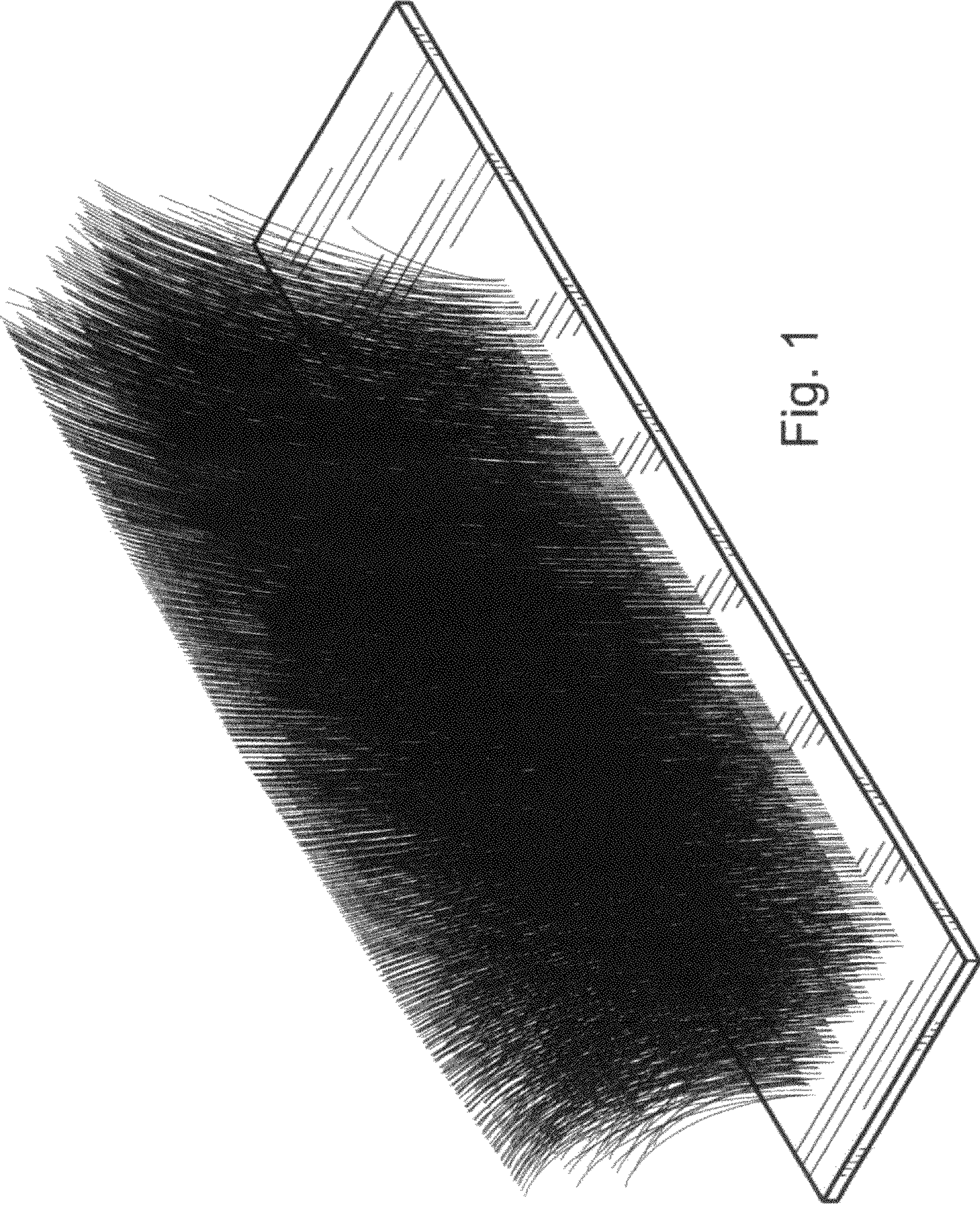


Fig. 1

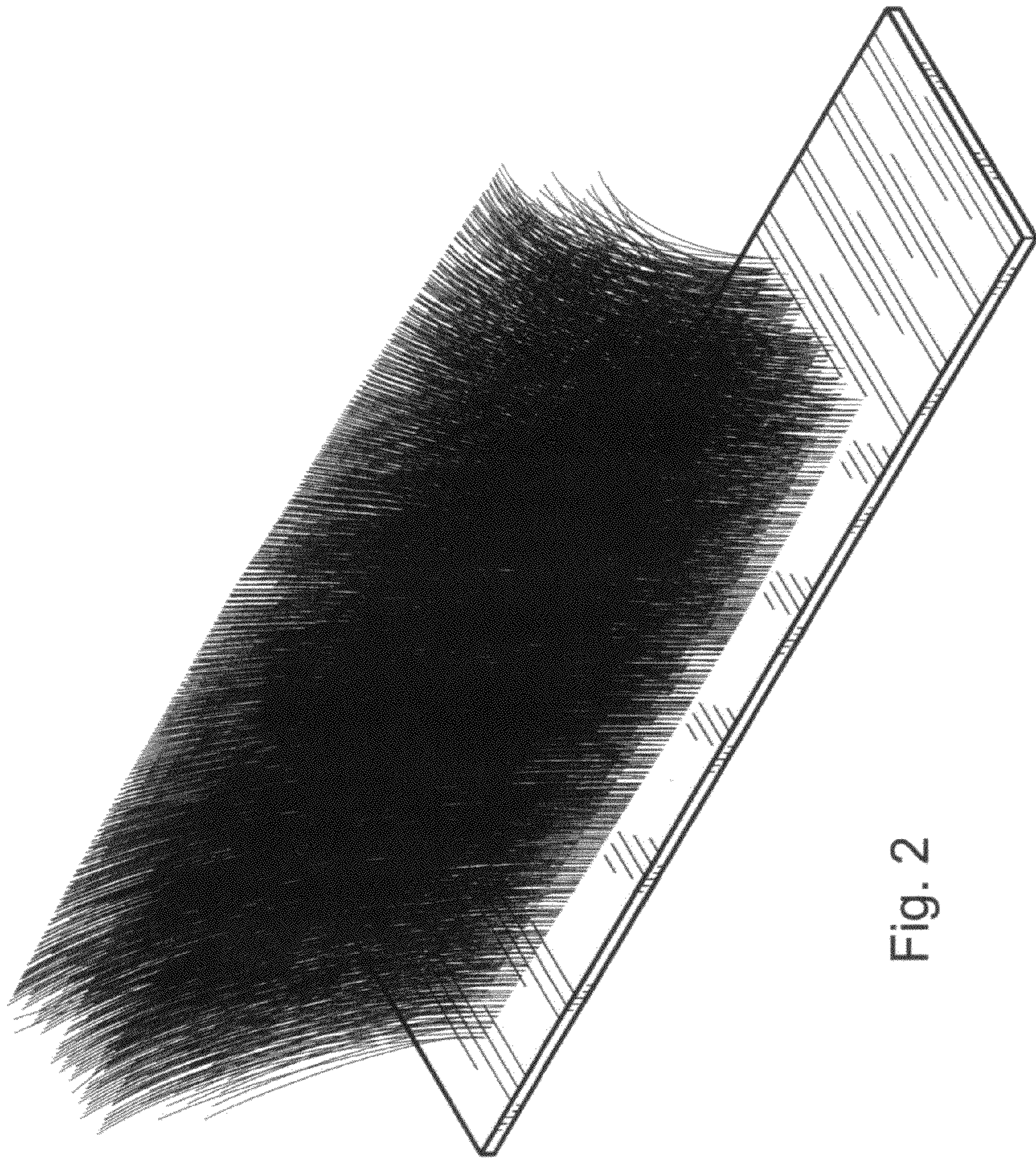


Fig. 2

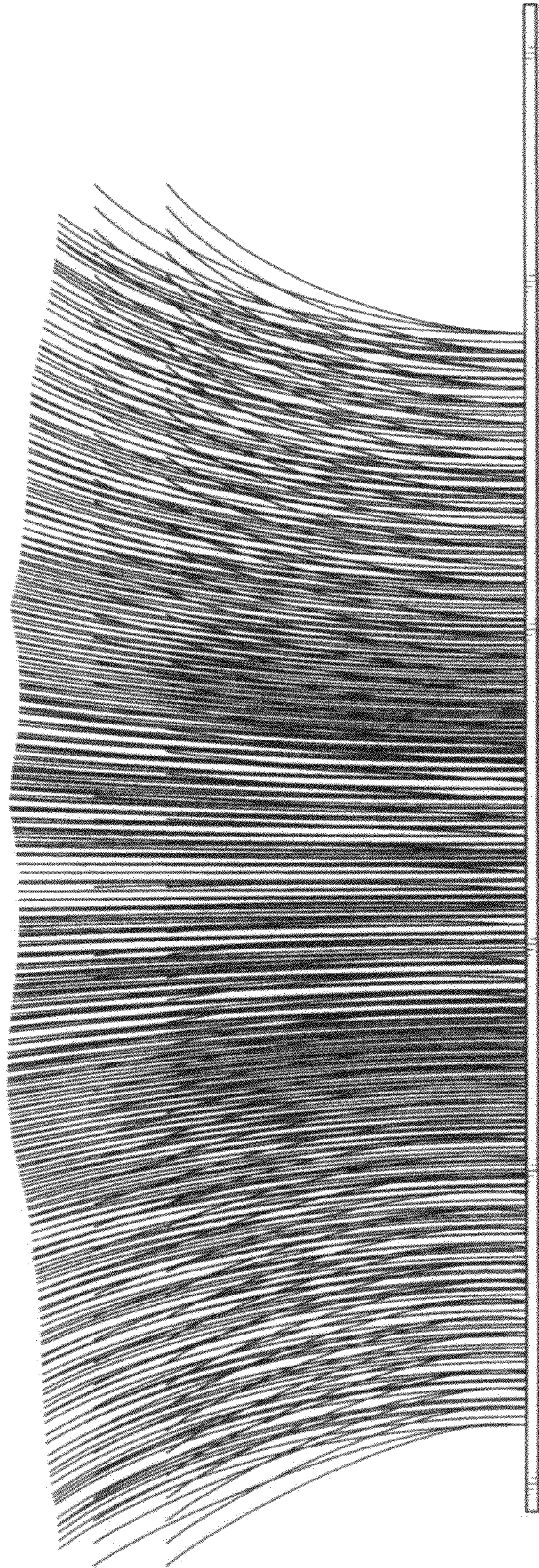


Fig. 3

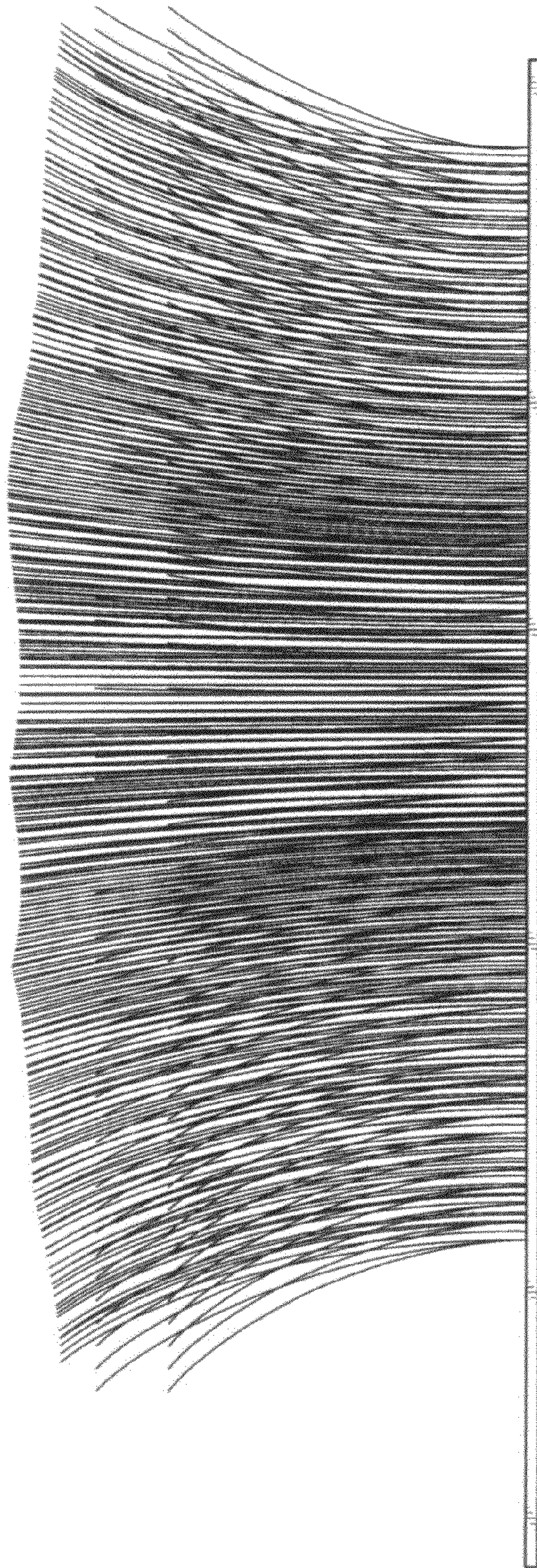


Fig. 4

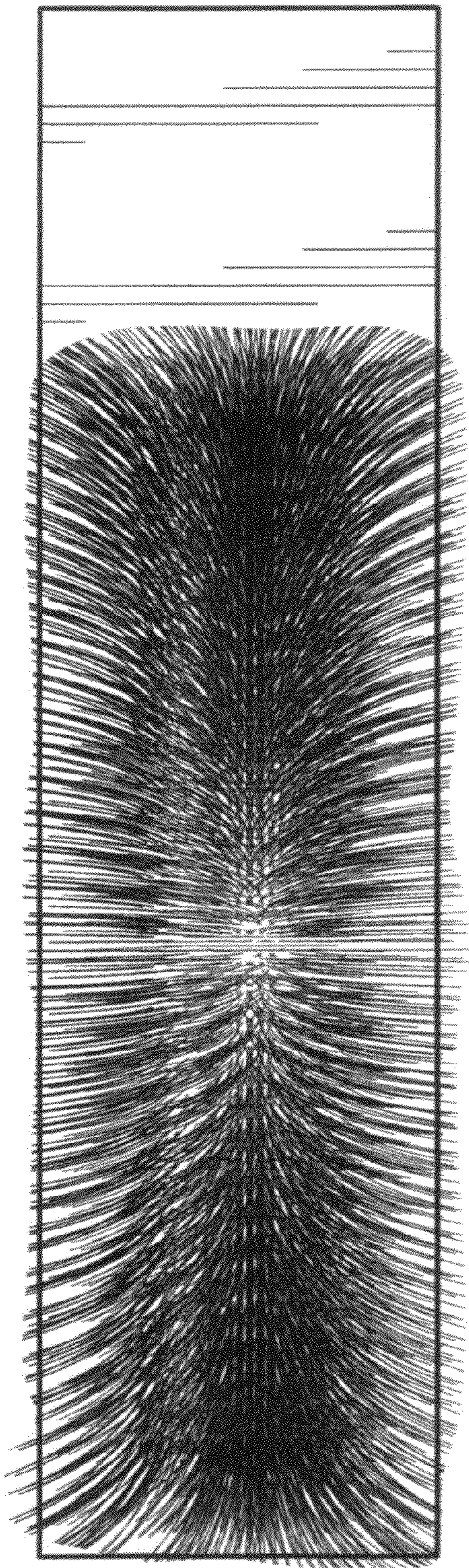


Fig. 5

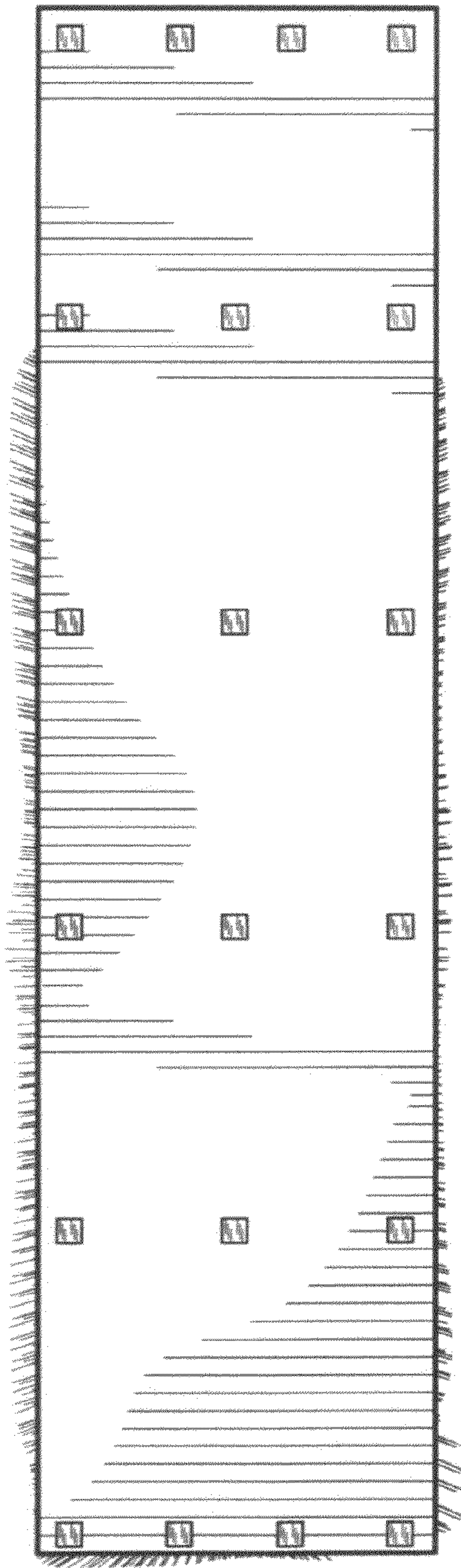


Fig. 6

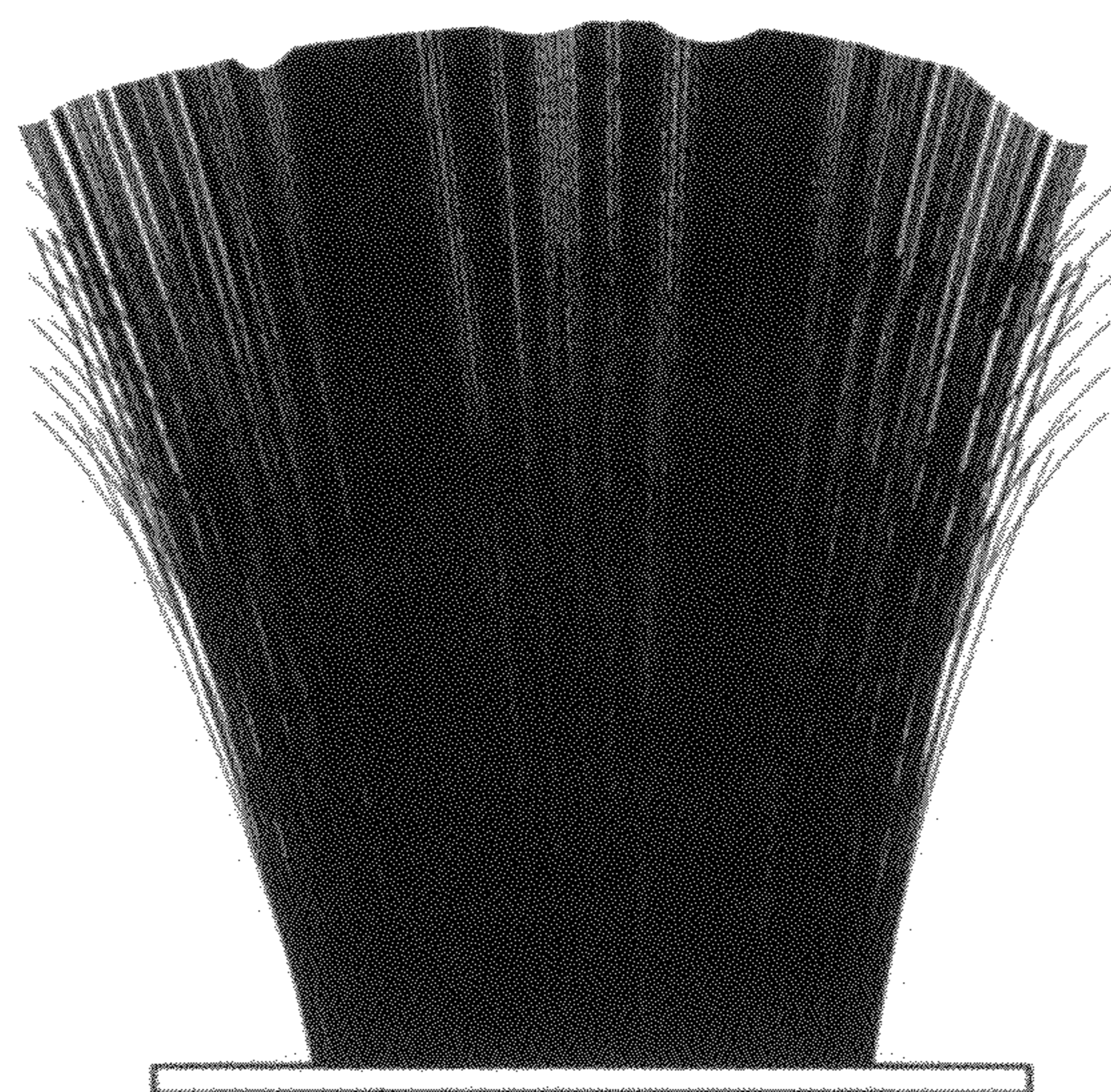


Fig. 7

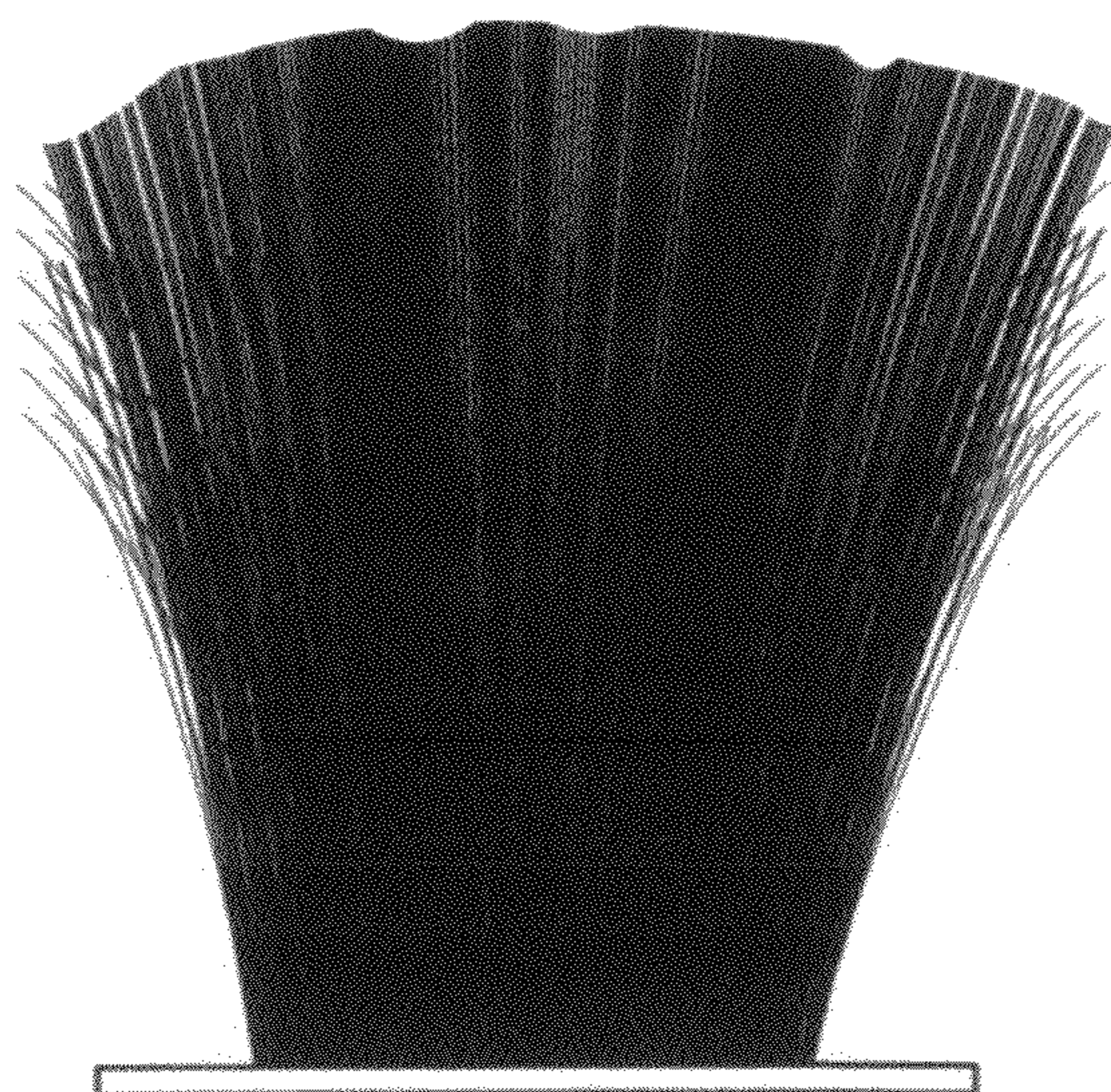


Fig. 8

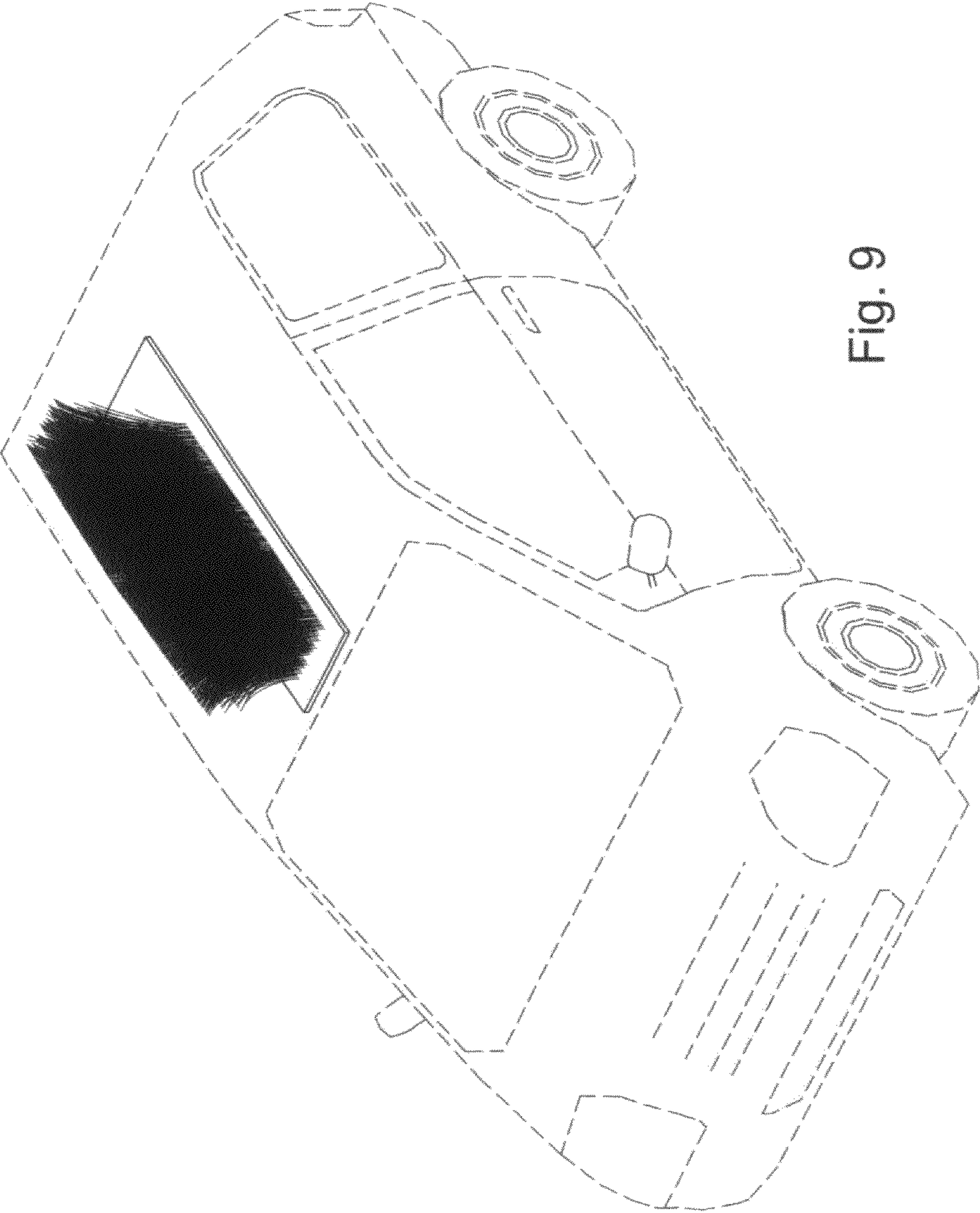


Fig. 9