



US00D718211S

(12) **United States Design Patent**
Kristinsson

(10) **Patent No.:** **US D718,211 S**

(45) **Date of Patent:** **** Nov. 25, 2014**

- (54) **BOAT**
- (71) Applicant: **Mallard S.A.**, Luxembourg (LU)
- (72) Inventor: **Ossur Kristinsson**, Kopavogur (IS)
- (73) Assignee: **Mallard S.A.**, Luxembourg (LU)
- (**) Term: **14 Years**
- (21) Appl. No.: **29/457,842**
- (22) Filed: **Jun. 13, 2013**
- (51) **LOC (10) Cl.** **12-06**
- (52) **U.S. Cl.**
USPC **D12/317**
- (58) **Field of Classification Search**
USPC D12/300, 305-307, 310-318; 114/56,
114/56.1, 61, 67 A, 144 E, 249, 271, 272,
114/273, 292, 283, 288-290, 291, 343, 345,
114/352, 355-357, 360, 363, 364;
D21/542-544, 547
See application file for complete search history.

5,497,722	A	3/1996	English, Sr.	
5,546,886	A *	8/1996	Franceschelli et al.	114/360
5,634,425	A *	6/1997	MacDougall	114/357
5,651,328	A *	7/1997	Elkington	114/345
D442,909	S *	5/2001	Hickok	D12/300
6,223,679	B1	5/2001	Filipczak	
6,609,475	B2 *	8/2003	Thomas et al.	114/219
6,871,612	B2 *	3/2005	Gursoy	114/356
D505,907	S *	6/2005	Bryham	D12/300
6,983,709	B2 *	1/2006	Hickok	114/123
D550,143	S *	9/2007	Anderson	D12/300
D559,760	S *	1/2008	Anderson	D12/300
7,775,172	B2 *	8/2010	Hansen	114/123
8,240,268	B2 *	8/2012	Hansen	114/289
D698,305	S *	1/2014	Borgwarth	D12/317
2004/0103462	A1	5/2004	Verbickis	
2006/0254486	A1	11/2006	Ashdown	

* cited by examiner

Primary Examiner — Cynthia M Chin

(74) *Attorney, Agent, or Firm* — Workman Nydegger

(57) **CLAIM**

The ornamental design for a boat, as shown and described.

DESCRIPTION

FIG. 1 is a perspective view of a boat, showing my new design.

FIG. 2 is a first side elevational view of the boat of FIG. 1.

FIG. 3 is a second side elevational view of the boat of FIG. 1.

FIG. 4 is a top plan view of the boat of FIG. 1.

FIG. 5 is a bottom plan view of the boat of FIG. 1.

FIG. 6 is a front elevational view of the boat of FIG. 1; and,

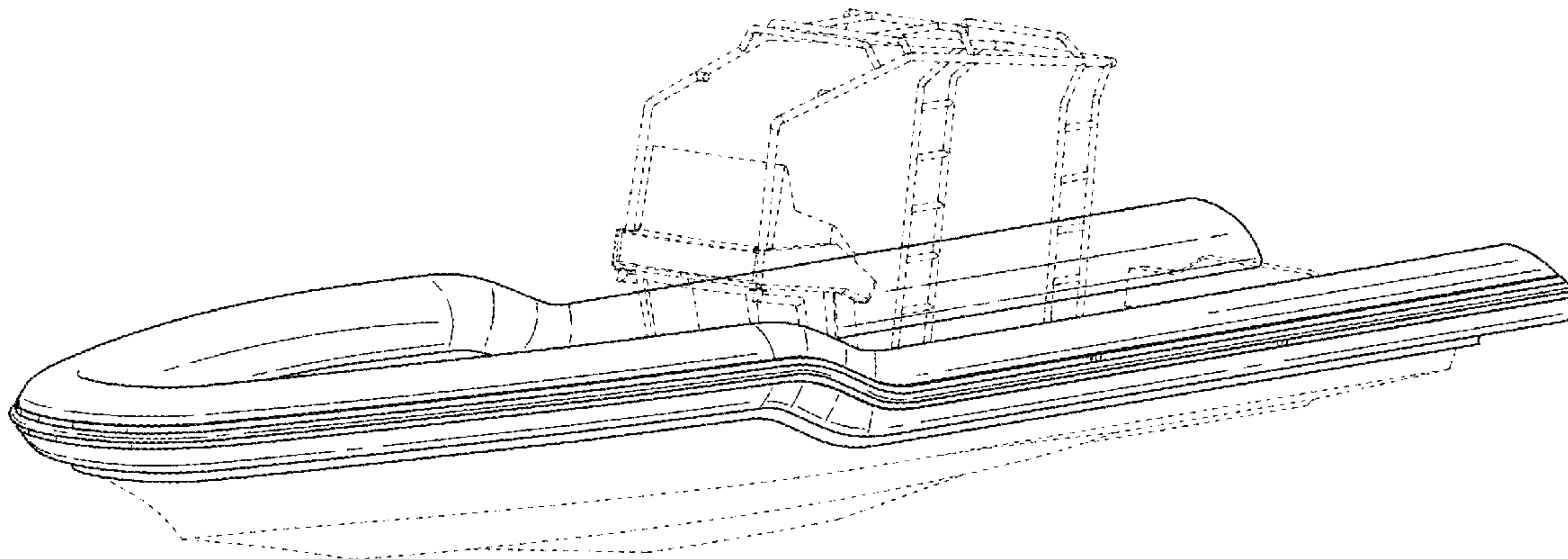
FIG. 7 is a rear elevational view of the boat of FIG. 1.

The broken lines are included for the purpose of illustrating environmental structure and form no part of the claimed design.

1 Claim, 7 Drawing Sheets

(56) **References Cited**
U.S. PATENT DOCUMENTS

2,915,031	A	12/1959	Johnston	
3,763,810	A	10/1973	Payne	
4,638,753	A	1/1987	Marschewski	
4,649,851	A	3/1987	April	
4,726,310	A	2/1988	Ard et al.	
4,753,184	A	6/1988	Schiavone	
4,919,067	A *	4/1990	Wenstob et al.	114/345
D308,042	S *	5/1990	Kitner et al.	D12/317
5,131,348	A *	7/1992	Roy	114/363
5,184,564	A *	2/1993	Robbins et al.	114/345
D337,302	S	7/1993	Van Lancker	
D343,161	S *	1/1994	Lapointe	D12/307



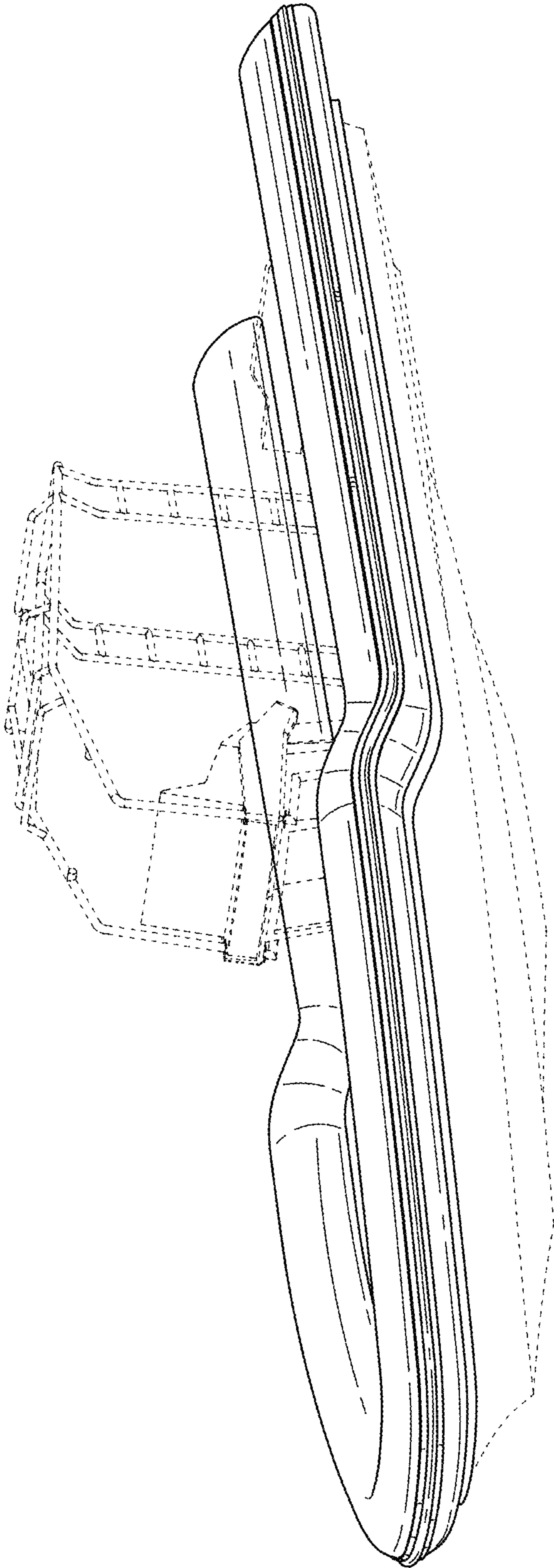


FIG. 1

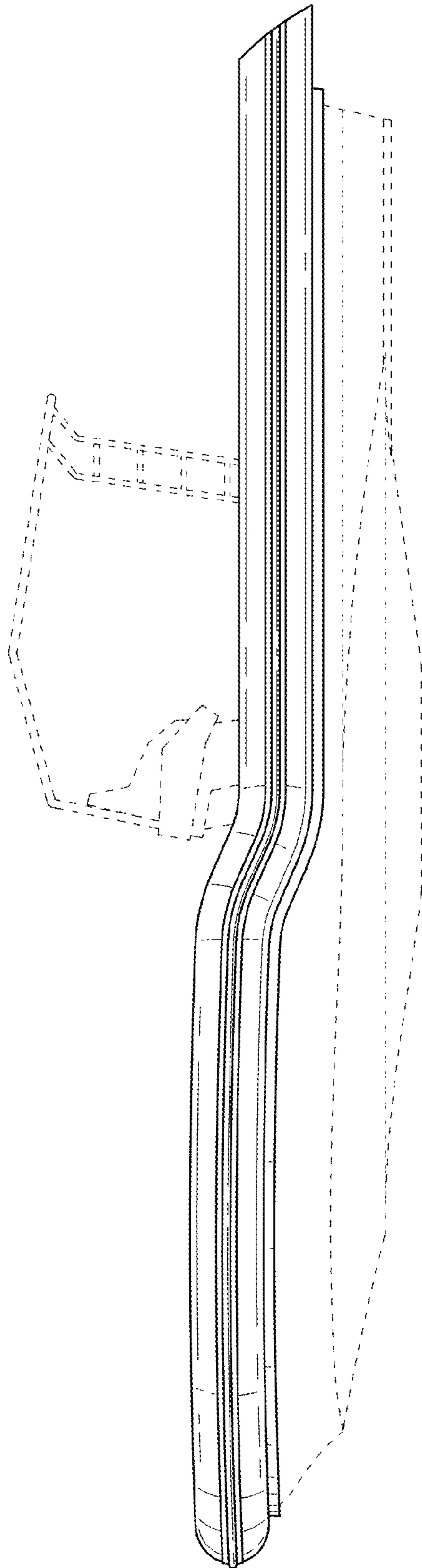


FIG. 2

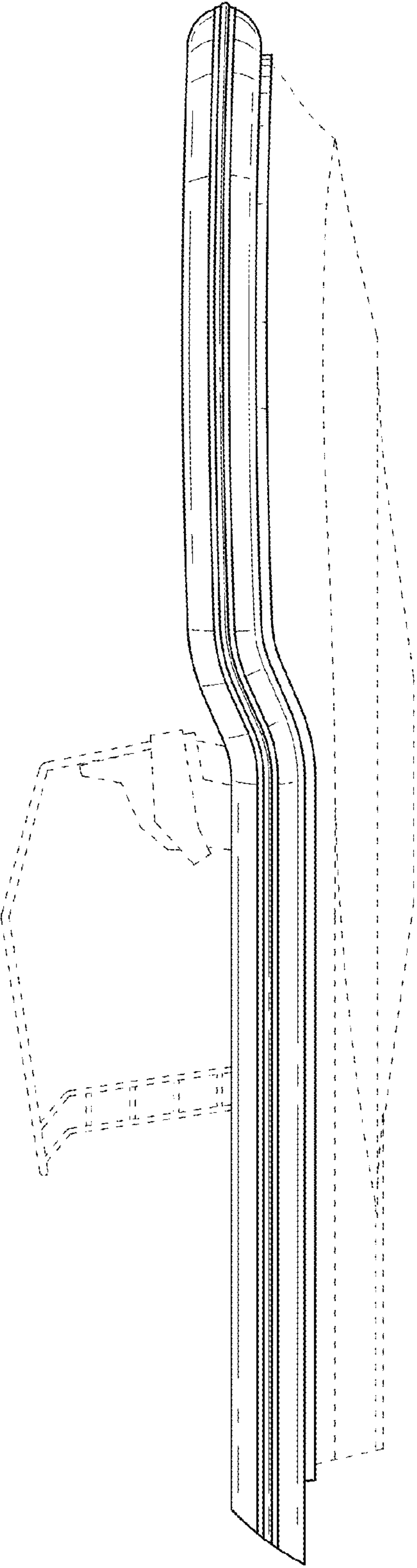


FIG. 3

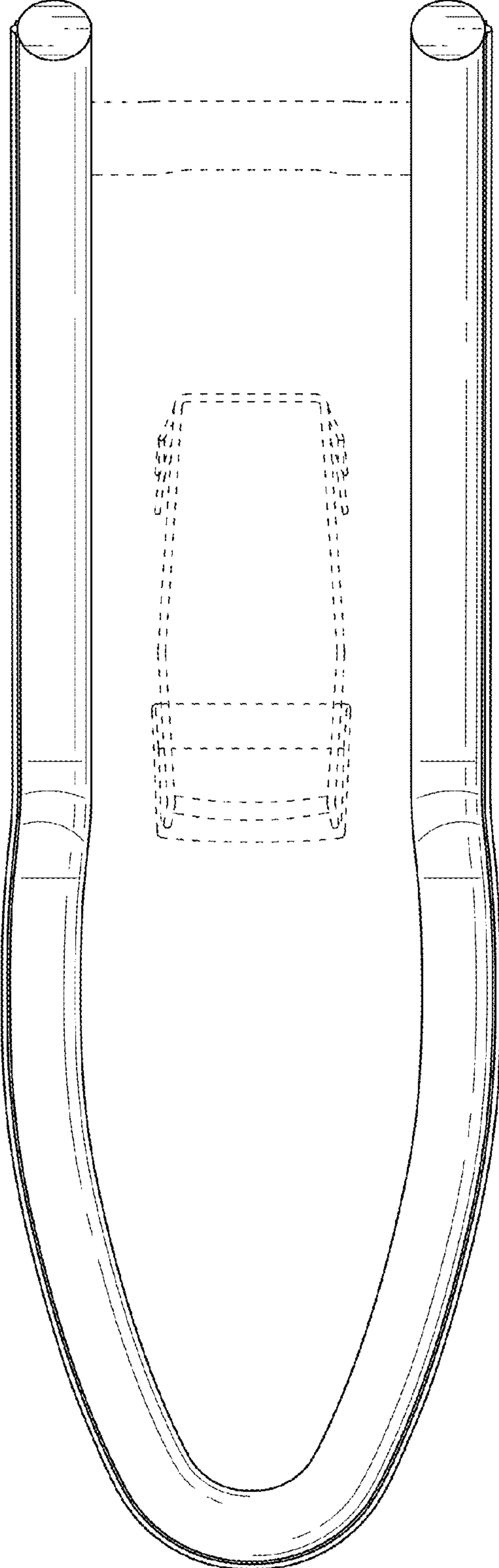


FIG. 4

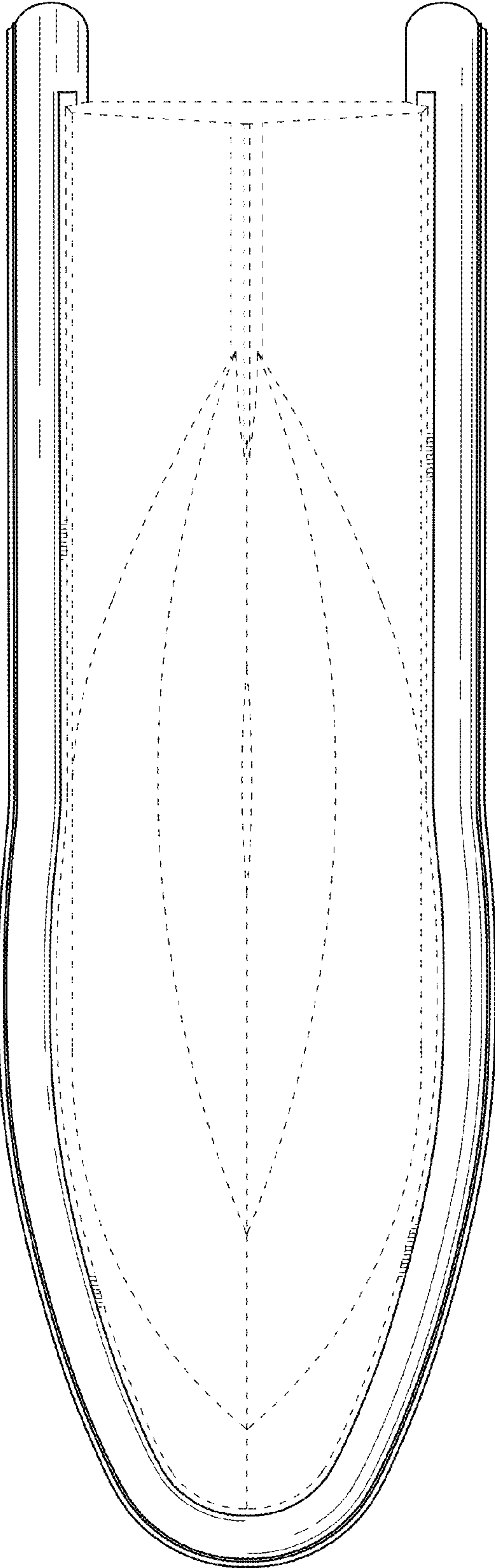


FIG. 5

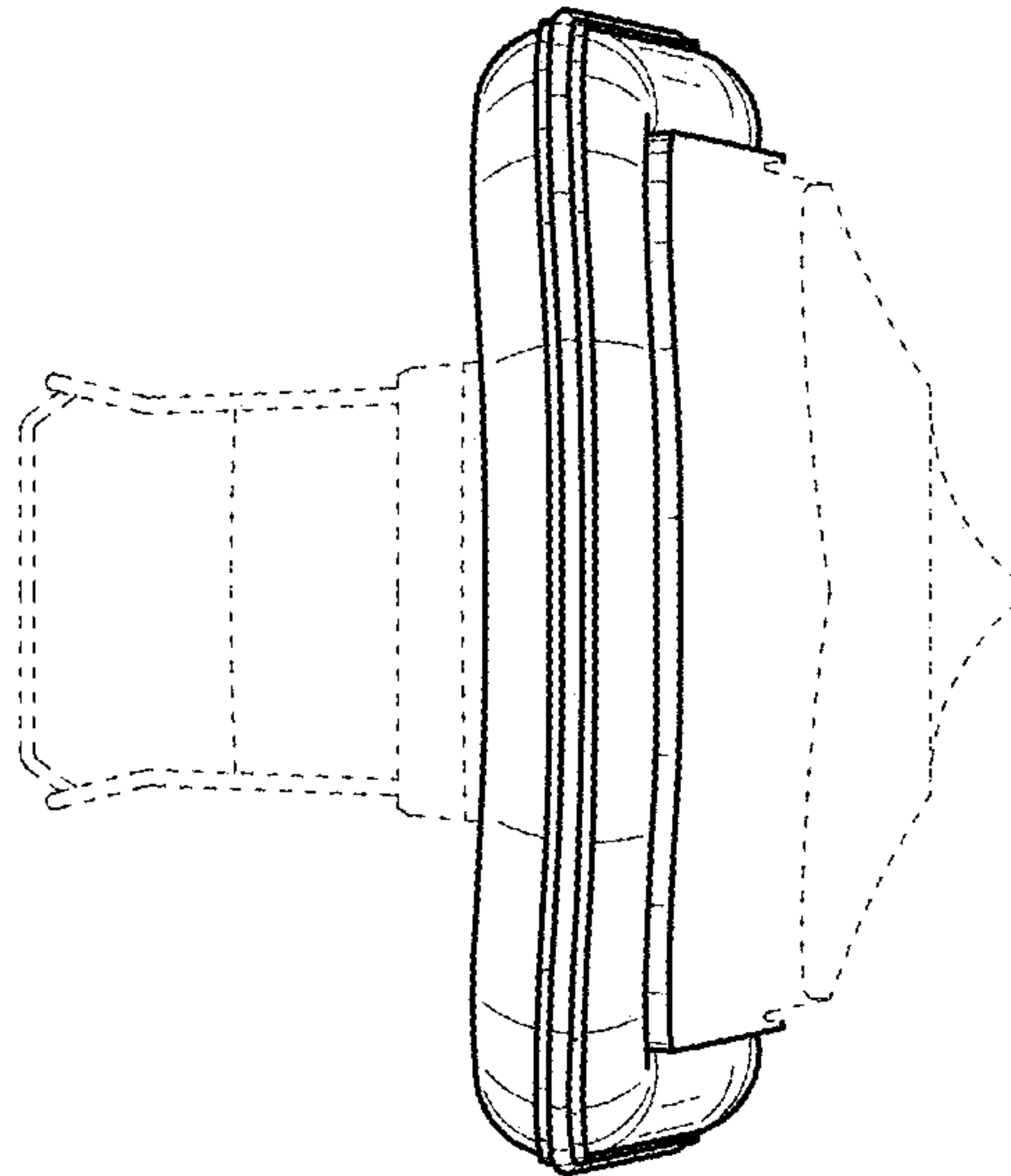


FIG. 6

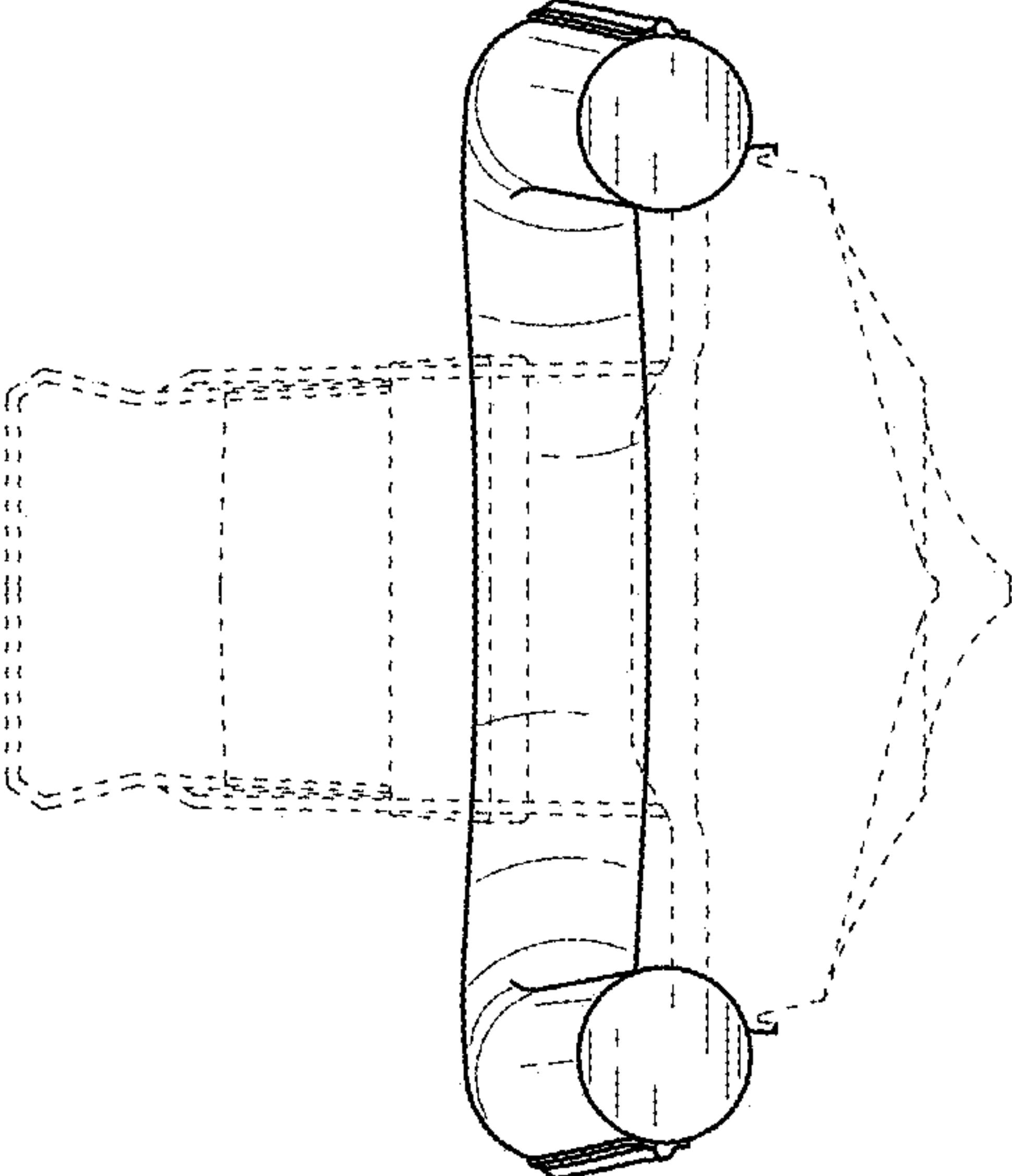


FIG. 7