



US00D718210S

(12) **United States Design Patent**
Kristinsson

(10) **Patent No.:** **US D718,210 S**

(45) **Date of Patent:** **** Nov. 25, 2014**

(54) **BOAT**

(71) Applicant: **Mallard S.A.**, Luxembourg (LU)

(72) Inventor: **Ossur Kristinsson**, Kopavogur (IS)

(73) Assignee: **Mallard S.A.**, Luxembourg (LU)

(**) Term: **14 Years**

(21) Appl. No.: **29/457,838**

(22) Filed: **Jun. 13, 2013**

(51) **LOC (10) Cl.** **12-06**

(52) **U.S. Cl.**
USPC **D12/317**

(58) **Field of Classification Search**
USPC D12/300, 302, 303, 304, 307, 310–314,
D12/316, 317; 114/39.11–39.15,
114/39.21–39.32, 61.1, 61.2, 61.32, 61.33,
114/62, 355–358, 271, 273, 274, 283,
114/288–292, 343, 363; 440/27, 35;
D21/542–547

See application file for complete search history.

(56) **References Cited**

U.S. PATENT DOCUMENTS

2,915,031 A	12/1959	Johnston
3,763,810 A	10/1973	Payne
4,638,753 A	1/1987	Marschewski
4,649,851 A	3/1987	April
4,726,310 A	2/1988	Ard et al.

4,753,184 A	6/1988	Schiavone	
D337,302 S	7/1993	Van Lancker	
5,349,919 A *	9/1994	Douglass	114/357
5,497,722 A	3/1996	English, Sr.	
6,223,679 B1	5/2001	Filipczak	
D509,469 S *	9/2005	Longpre et al.	D12/300
D514,054 S *	1/2006	Blount	D12/300
6,994,049 B1 *	2/2006	Schulz	114/274
D632,631 S *	2/2011	Quirin et al.	D12/300
D677,210 S *	3/2013	Fan	D12/300
D700,127 S *	2/2014	Fuller, IV	D12/300
2004/0103462 A1	5/2004	Verbickis	
2006/0254486 A1	11/2006	Ashdown	

* cited by examiner

Primary Examiner — Cynthia M Chin

(74) *Attorney, Agent, or Firm* — Workman Nydegger

(57) **CLAIM**

The ornamental design for a boat, as shown and described.

DESCRIPTION

FIG. 1 is a perspective view of a boat, showing my new design.

FIG. 2 is a first side elevational view of the boat of FIG. 1.

FIG. 3 is a second side elevational view of the boat of FIG. 1.

FIG. 4 is a top plan view of the boat of FIG. 1.

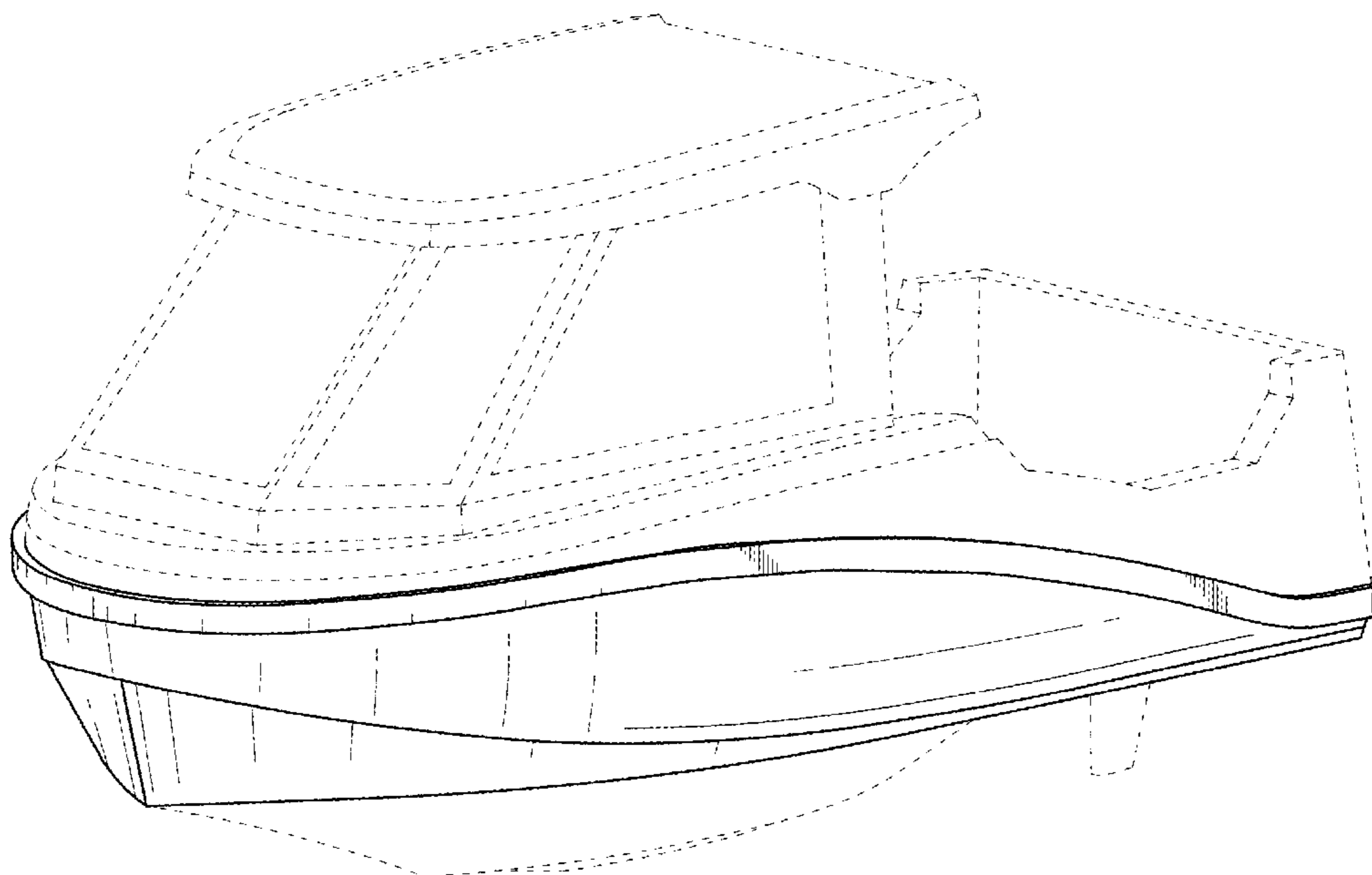
FIG. 5 is a bottom plan view of the boat of FIG. 1.

FIG. 6 is a front elevational view of the boat of FIG. 1; and,

FIG. 7 is a rear elevational view of the boat of FIG. 1.

The broken lines are included for the purpose of illustrating environmental structure and form no part of the claimed design.

1 Claim, 7 Drawing Sheets



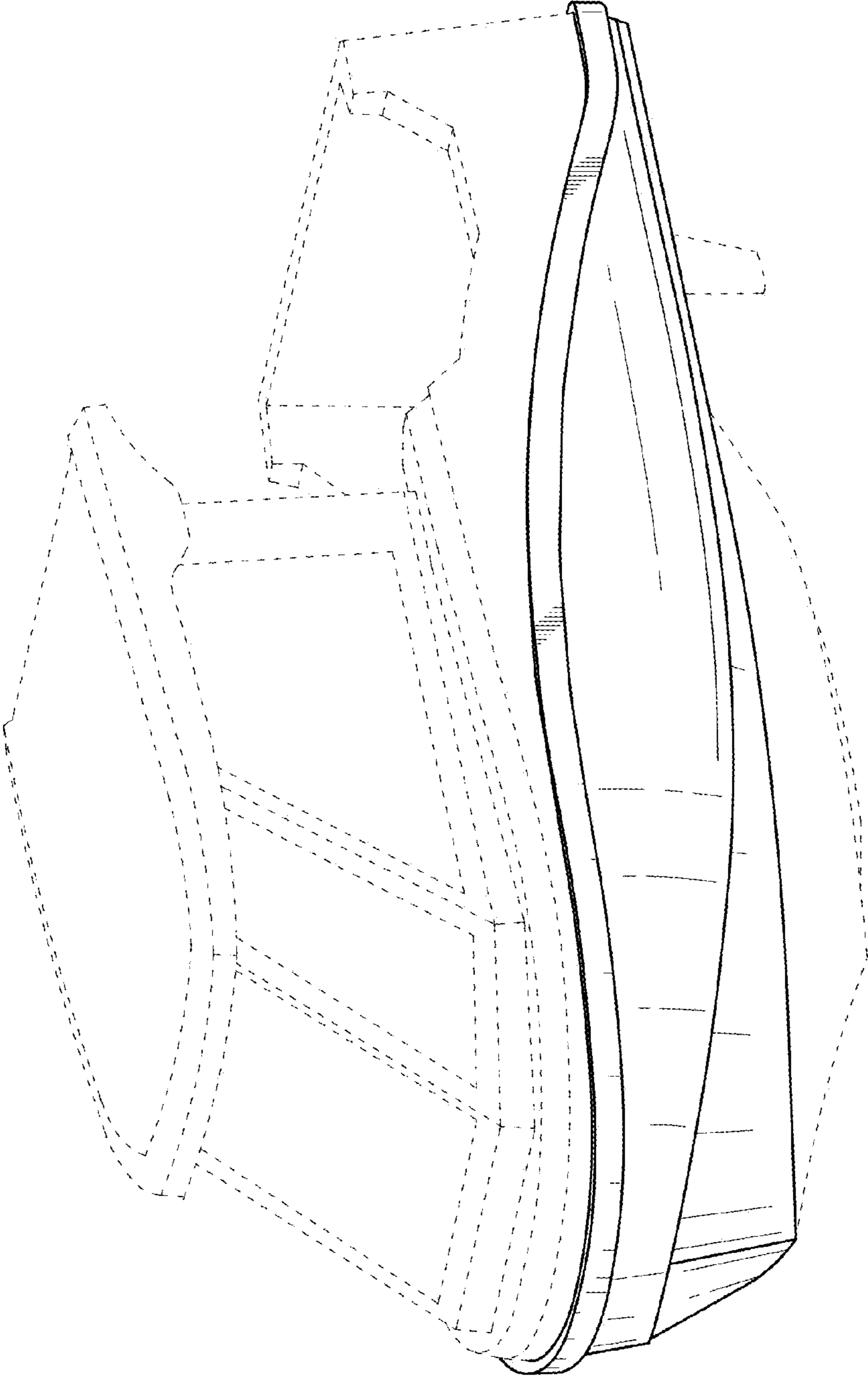


FIG. 1

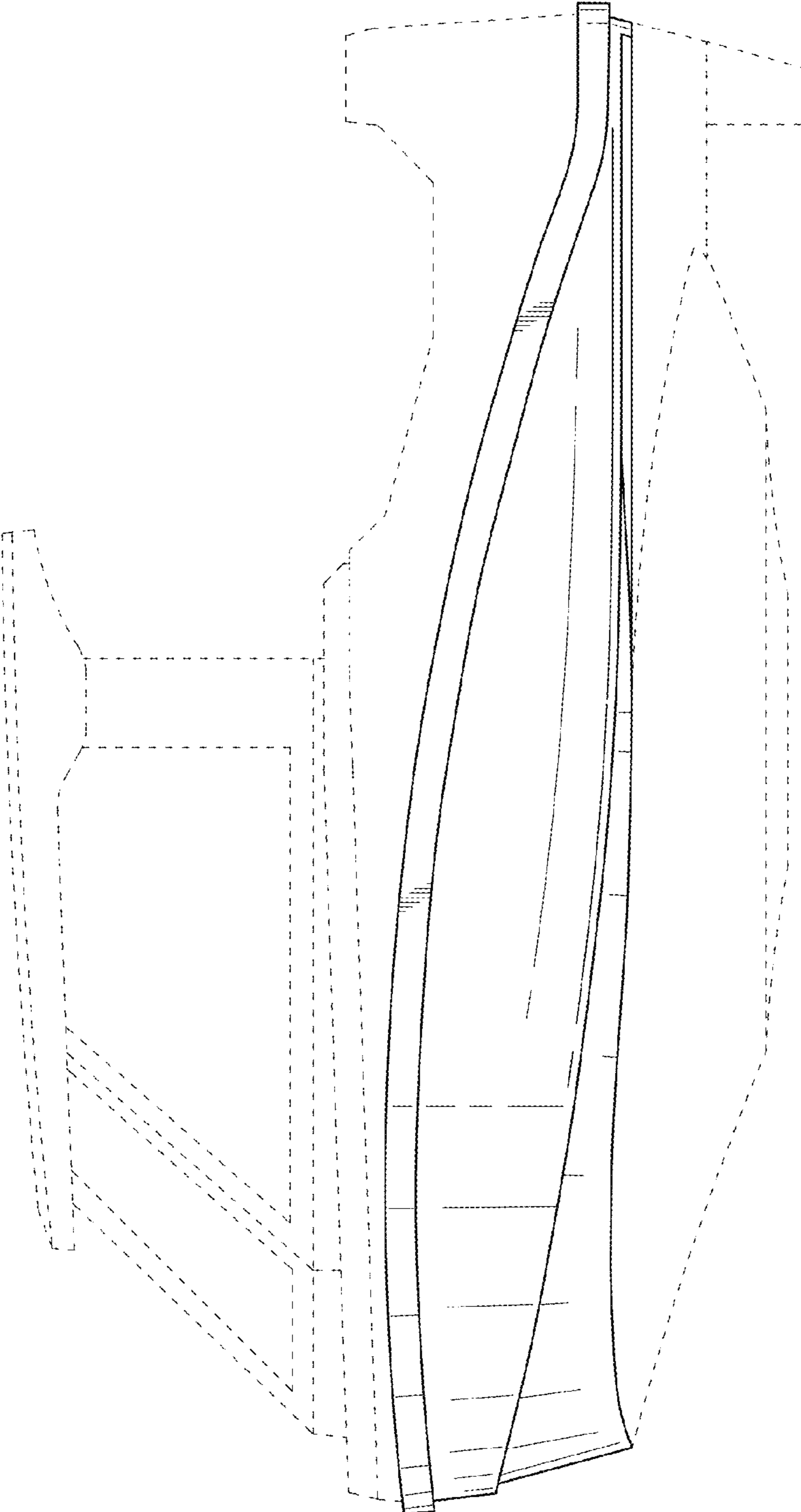


FIG. 2

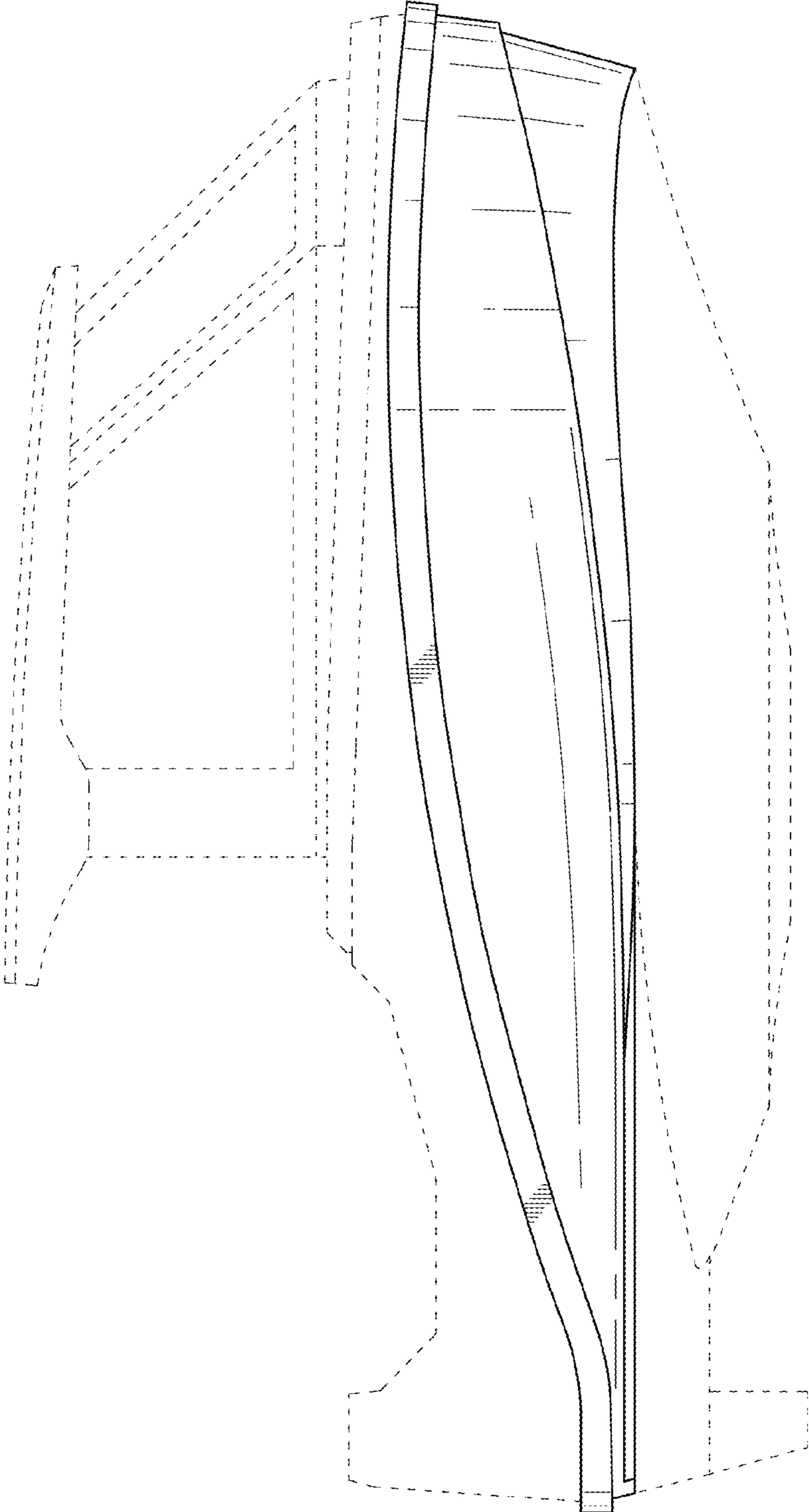


FIG. 3

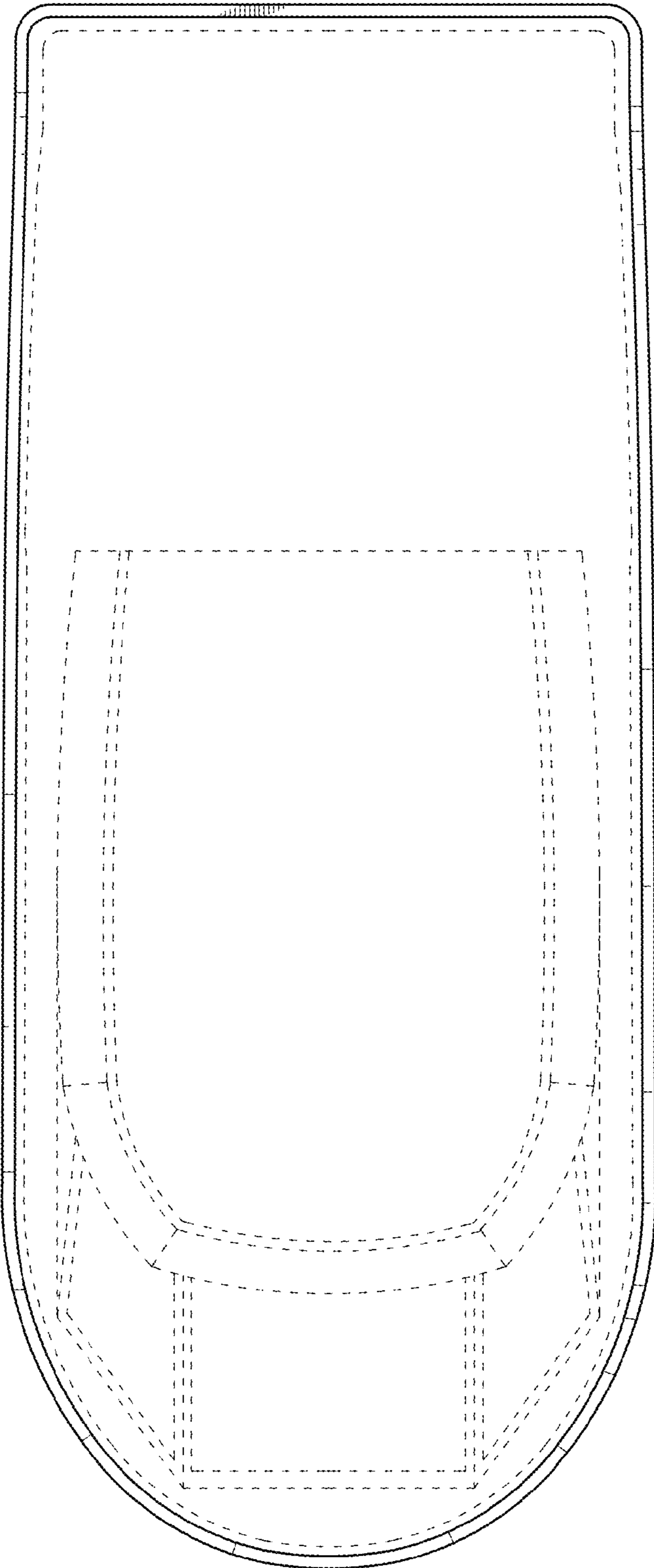


FIG. 4

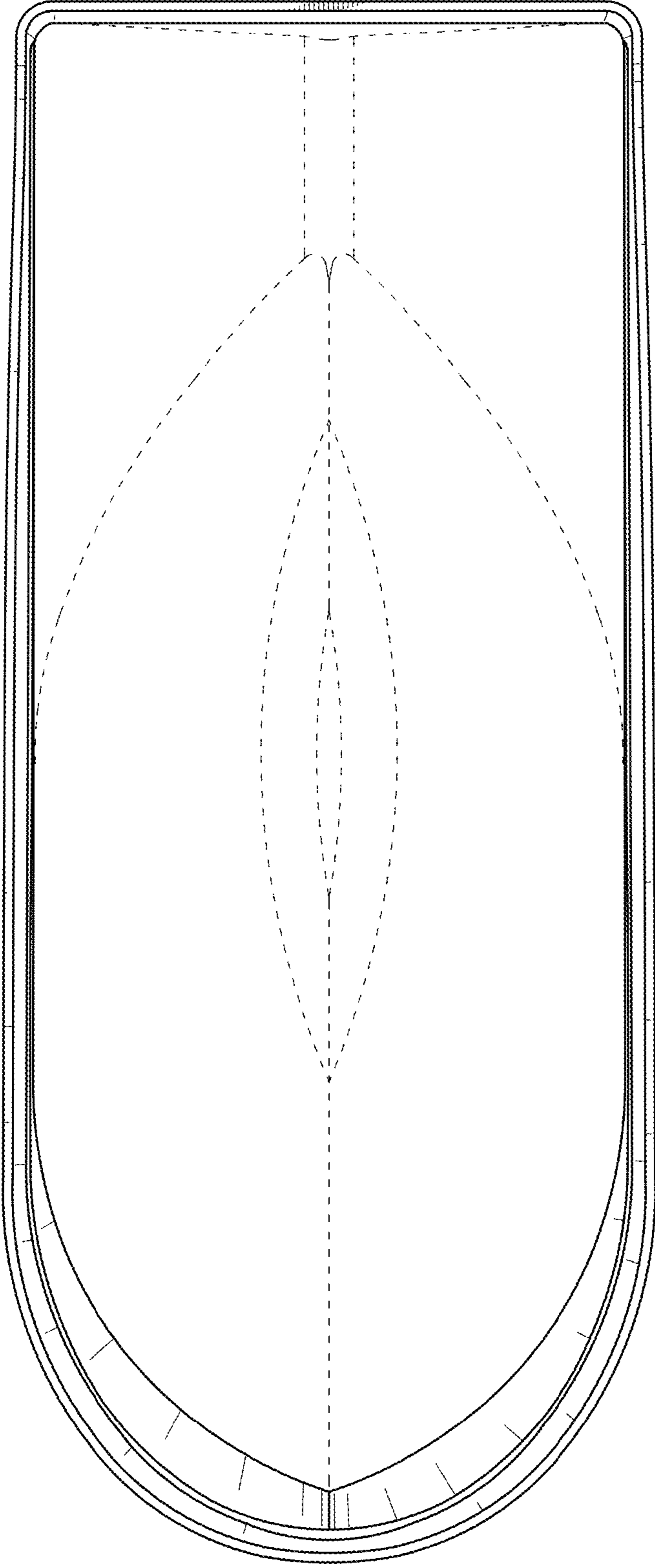


FIG. 5

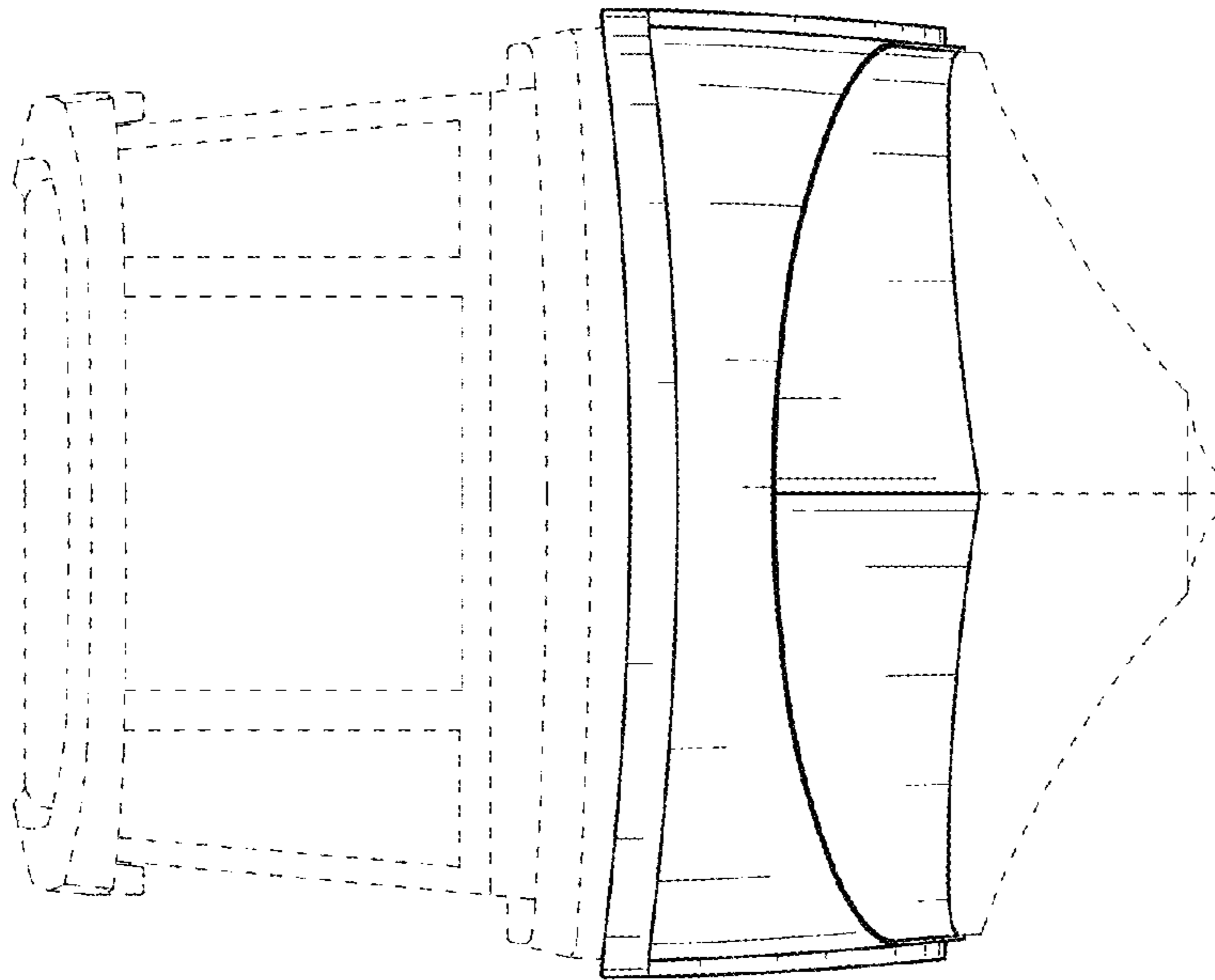


FIG. 6

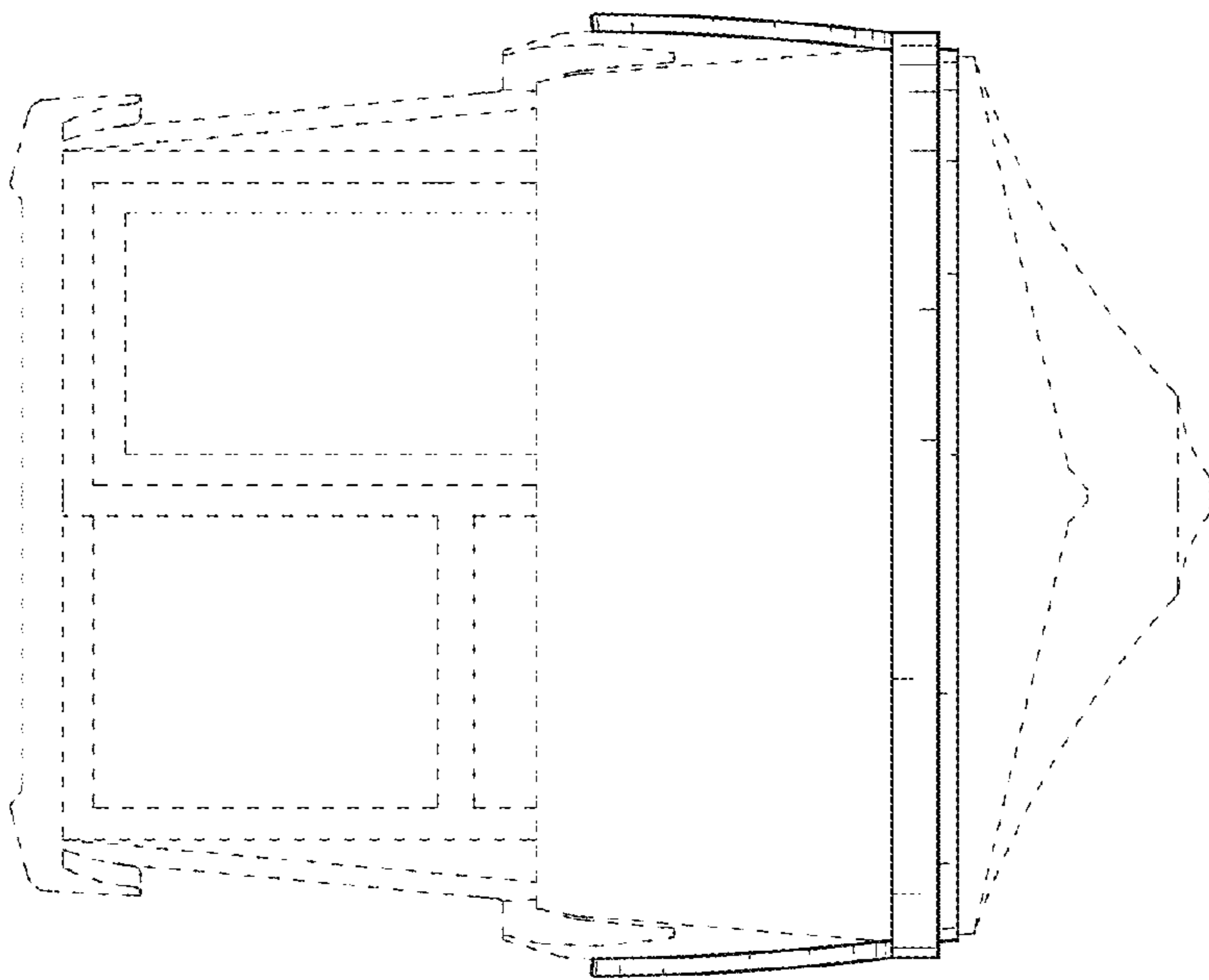


FIG. 7