



US00D718209S

(12) **United States Design Patent**  
**Kristinsson**

(10) **Patent No.:** **US D718,209 S**  
(45) **Date of Patent:** **\*\* Nov. 25, 2014**

- (54) **BOAT**
- (71) Applicant: **Mallard S.A.**, Luxemburg (LU)
- (72) Inventor: **Ossur Kristinsson**, Kopavogur (IS)
- (73) Assignee: **Mallard S.A.**, Luxembourg (LU)
- (\*\*) Term: **14 Years**
- (21) Appl. No.: **29/457,833**
- (22) Filed: **Jun. 13, 2013**
- (51) **LOC (10) Cl.** ..... **12-06**
- (52) **U.S. Cl.**  
USPC ..... **D12/317**
- (58) **Field of Classification Search**  
USPC ..... D12/300, 302, 303, 304, 307, 310–314,  
D12/316, 317; 114/39.11–39.15,  
114/39.21–39.32, 61.1, 61.2, 61.32, 61.33,  
114/62, 355–358, 271, 273, 274, 283,  
114/288–292, 343, 363; 440/27, 35;  
D21/542–547  
See application file for complete search history.

D337,302 S	7/1993	Van Lancker	
D355,883 S *	2/1995	Simpkins .....	D12/317
5,497,722 A	3/1996	English, Sr.	
D407,366 S *	3/1999	Badsey .....	D12/300
D429,682 S *	8/2000	Garland et al. ....	D12/315
6,223,679 B1	5/2001	Filipczak	
D475,338 S *	6/2003	Zurn et al. ....	D12/300
D520,441 S *	5/2006	Guvenc et al. ....	D12/300
D570,763 S *	6/2008	Ozga .....	D12/300
D697,018 S *	1/2014	Rodriguez .....	D12/317
2004/0103462 A1	5/2004	Veribickis	
2006/0254486 A1	11/2006	Ashdown	

\* cited by examiner

*Primary Examiner* — Cynthia M Chin

(74) *Attorney, Agent, or Firm* — Workman Nydegger

(57) **CLAIM**

The ornamental design for a boat, as shown and described.

**DESCRIPTION**

FIG. 1 is a perspective view of a boat, showing my new design.

FIG. 2 is a first side elevational view of the boat of FIG. 1.

FIG. 3 is a second side elevational view of the boat of FIG. 1.

FIG. 4 is a top plan view of the boat of FIG. 1.

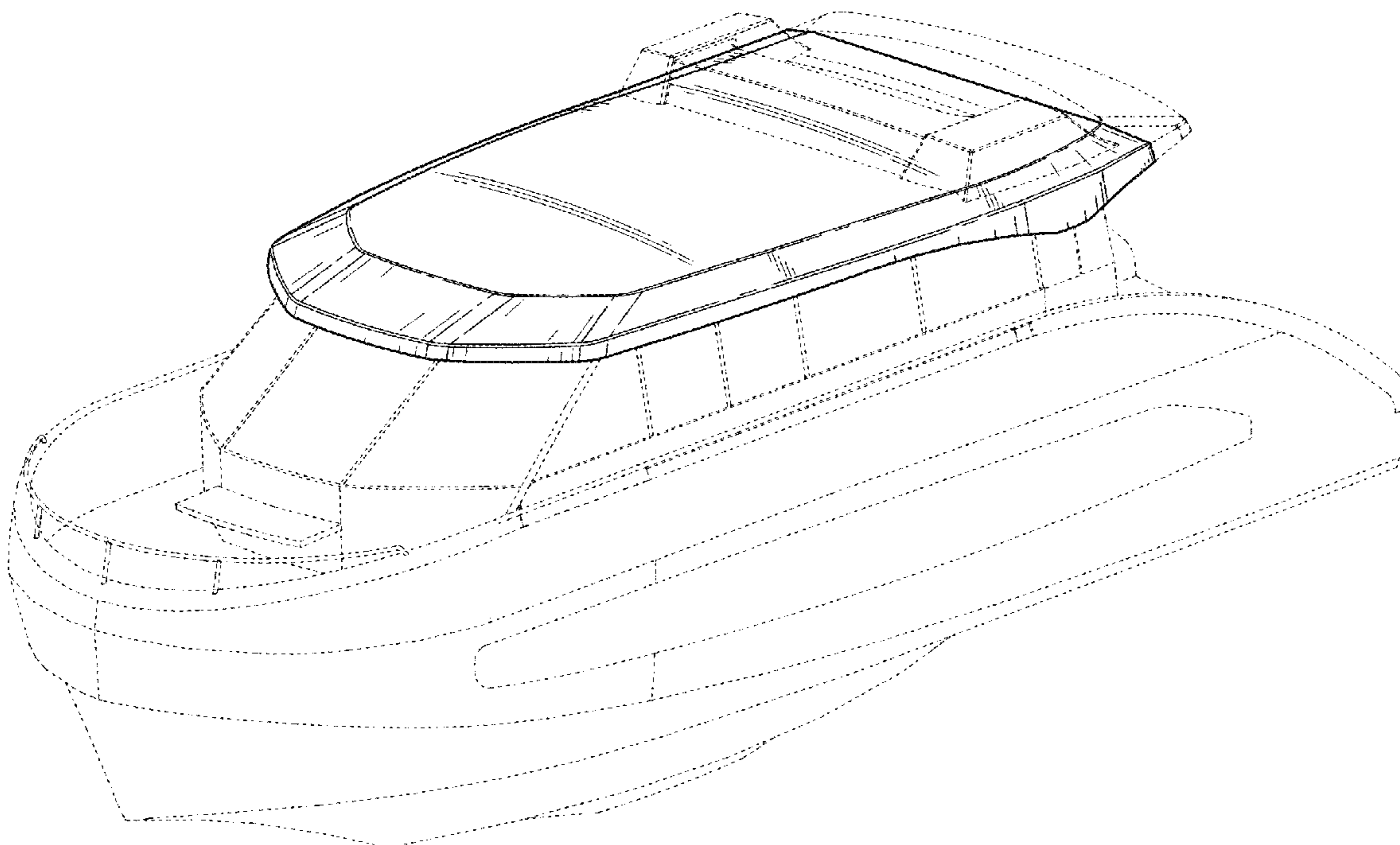
FIG. 5 is a front elevational view of the boat of FIG. 1; and,

FIG. 6 is a rear elevational view of the boat of FIG. 1.

The broken lines are included for the purpose of illustrating environmental structure and form no part of the claimed design.

**1 Claim, 6 Drawing Sheets**

- (56) **References Cited**  
U.S. PATENT DOCUMENTS
- 2,915,031 A 12/1959 Johnston
- 3,763,810 A 10/1973 Payne
- 4,638,753 A 1/1987 Marschewski
- 4,649,851 A 3/1987 April
- 4,726,310 A 2/1988 Ard et al.
- 4,753,184 A 6/1988 Schiavone



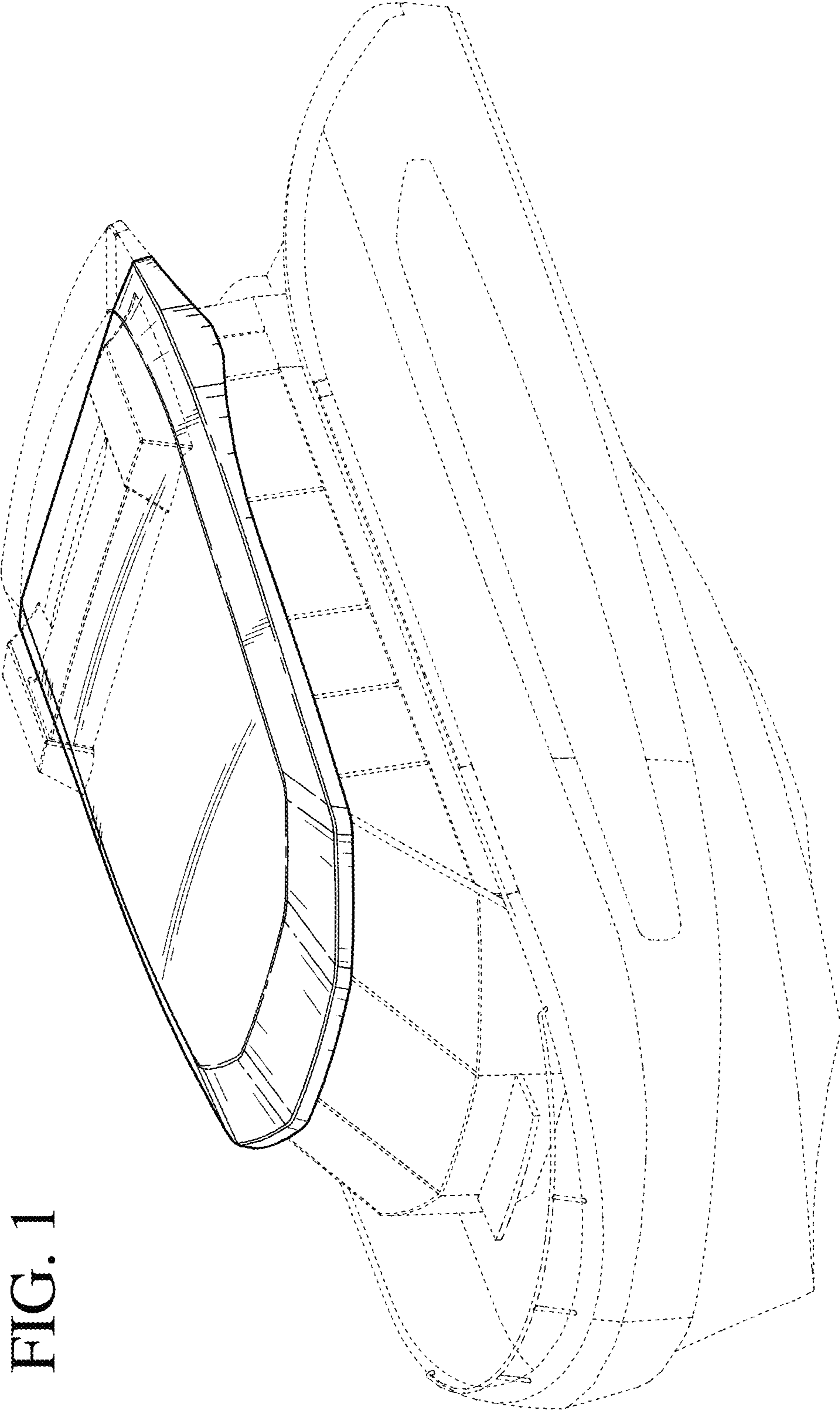


FIG. 1

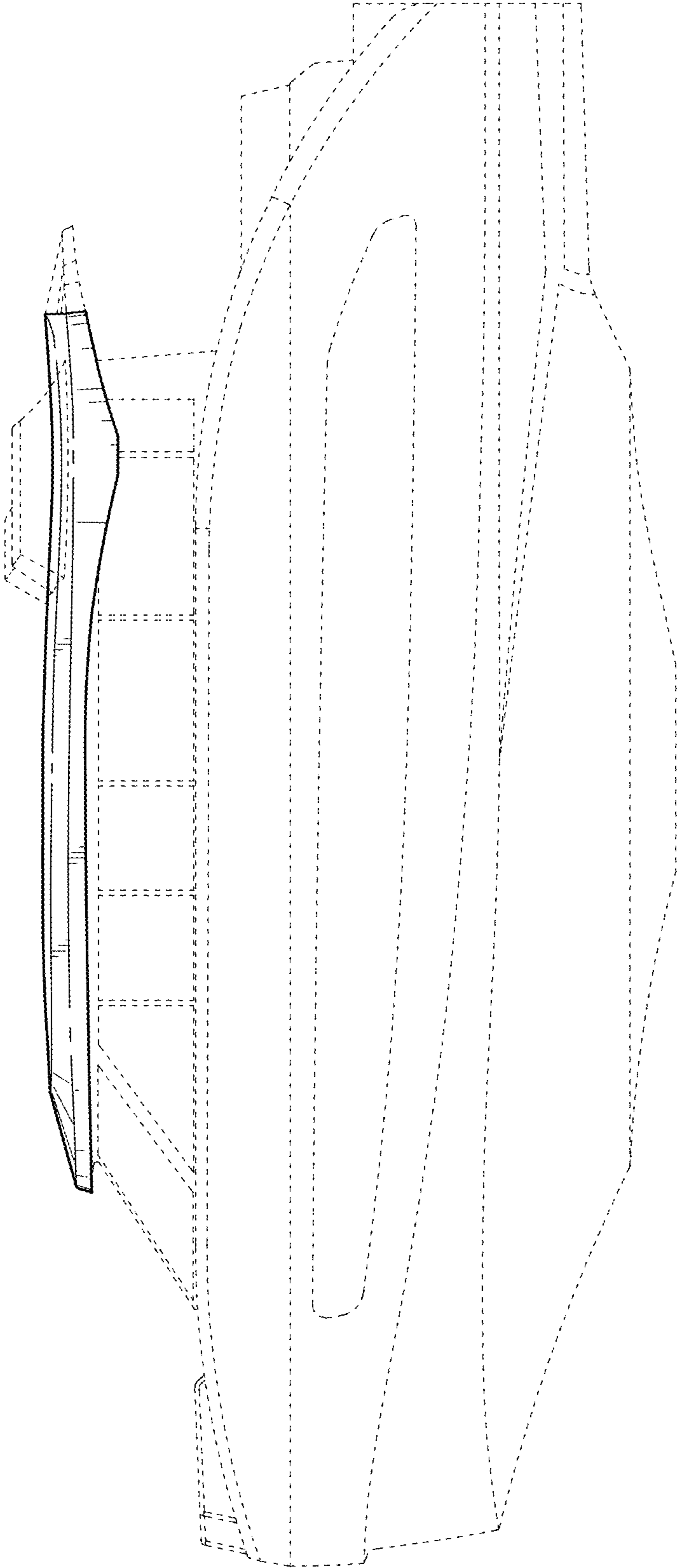


FIG. 2

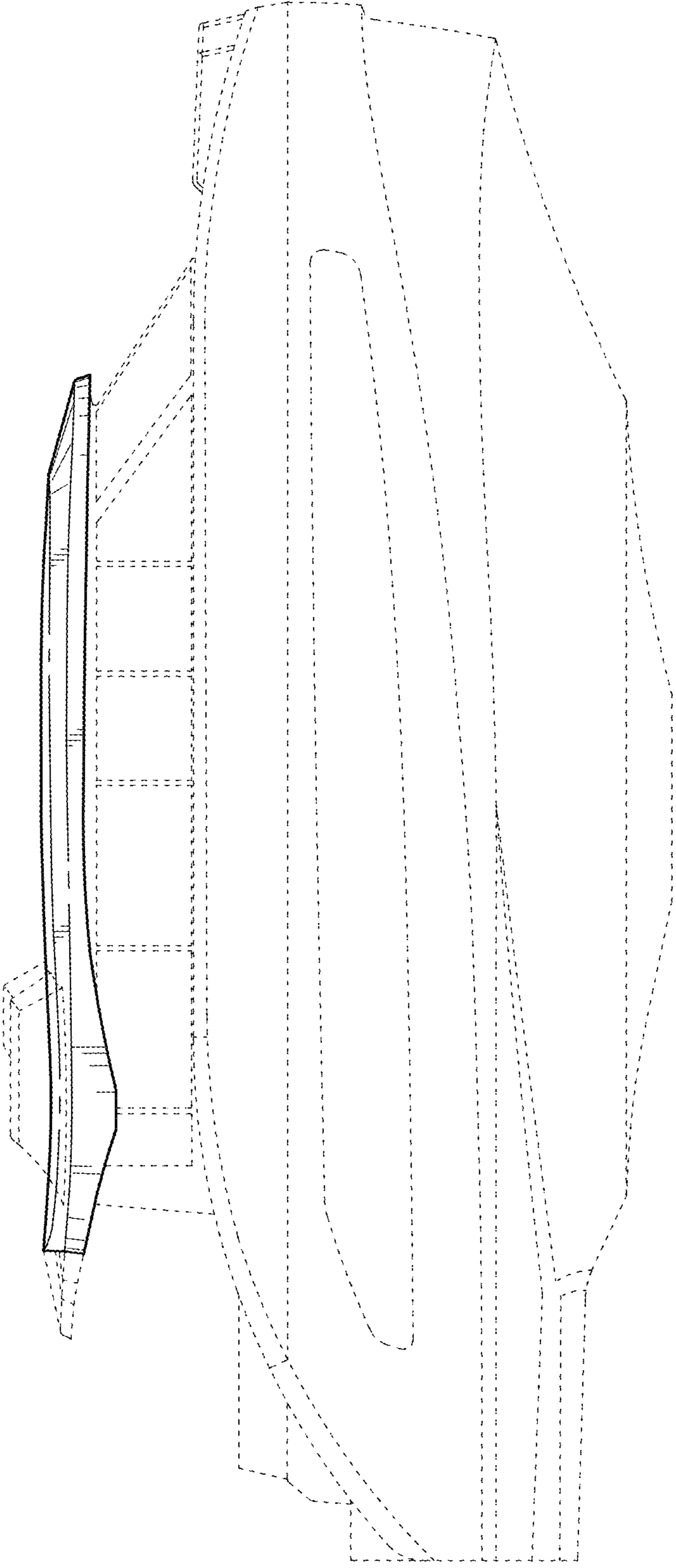


FIG. 3

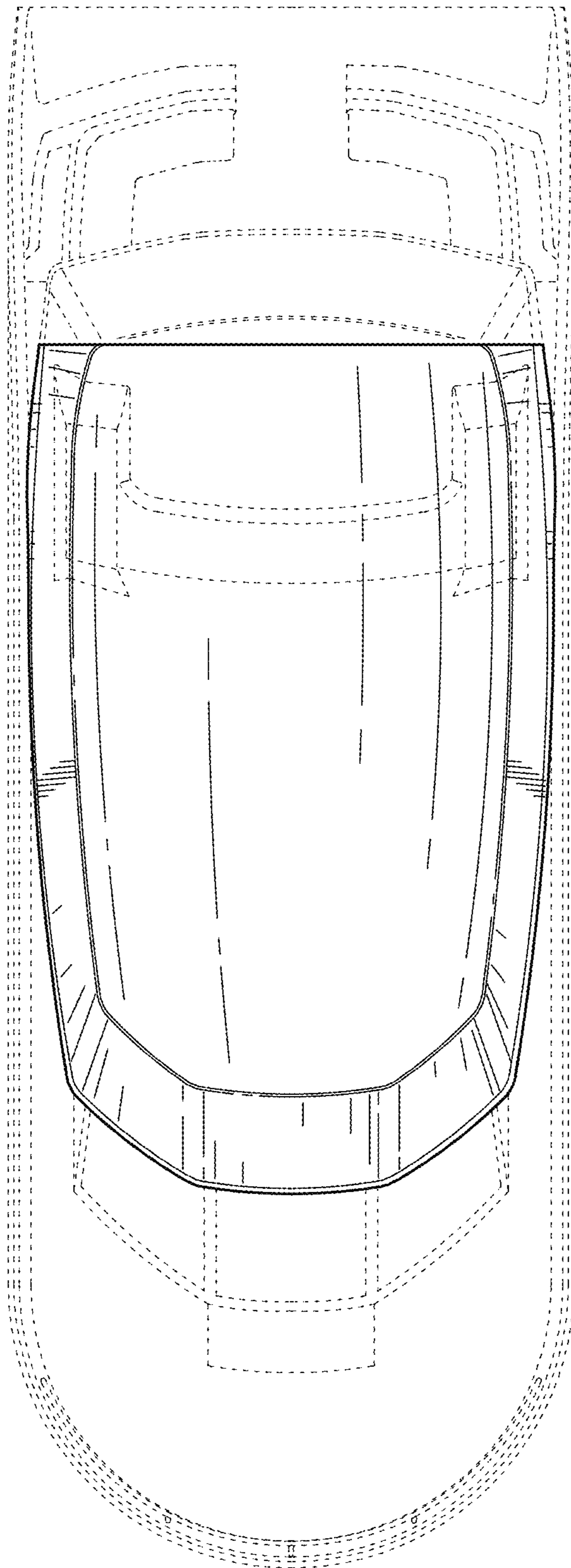


FIG. 4

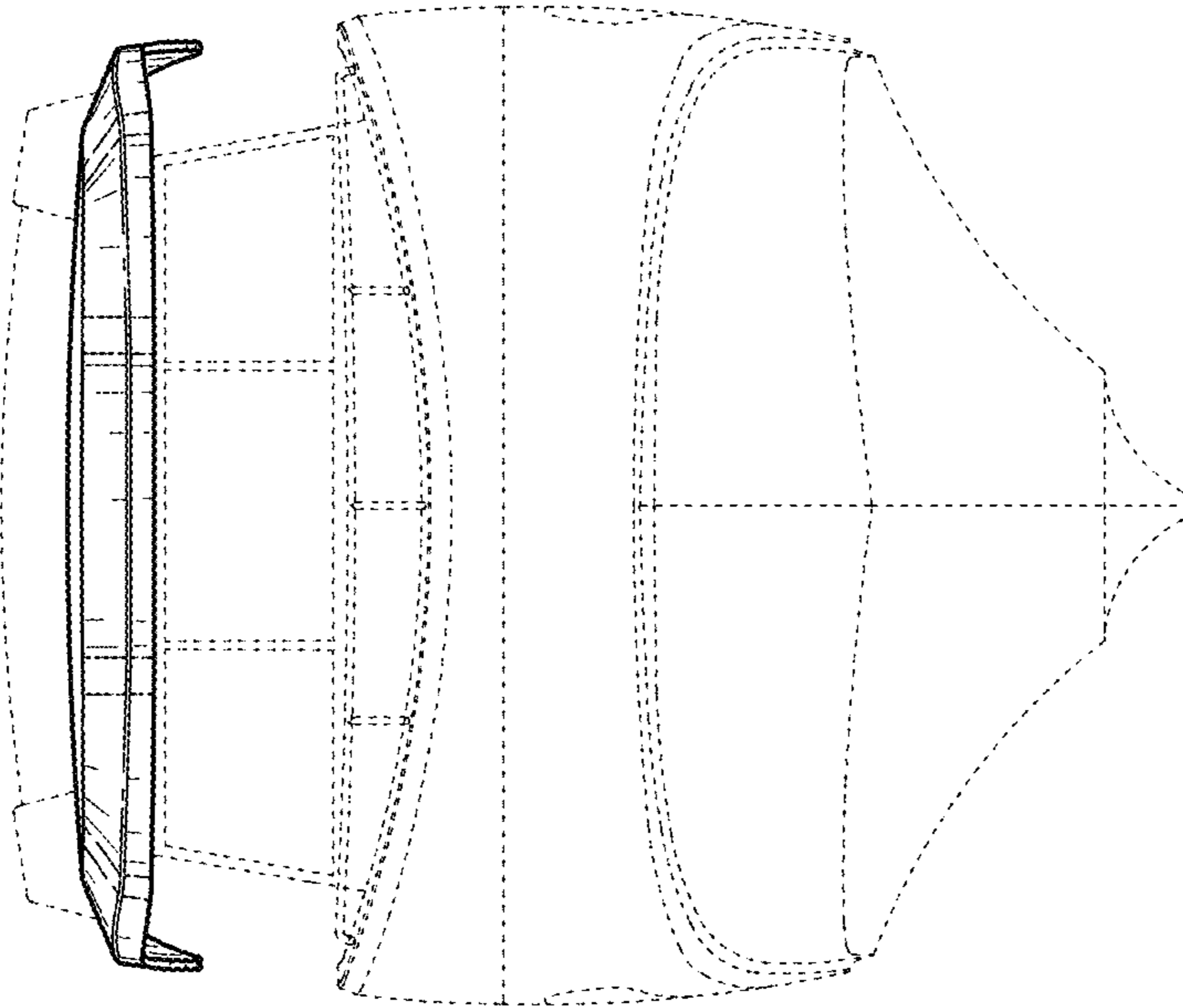


FIG. 5

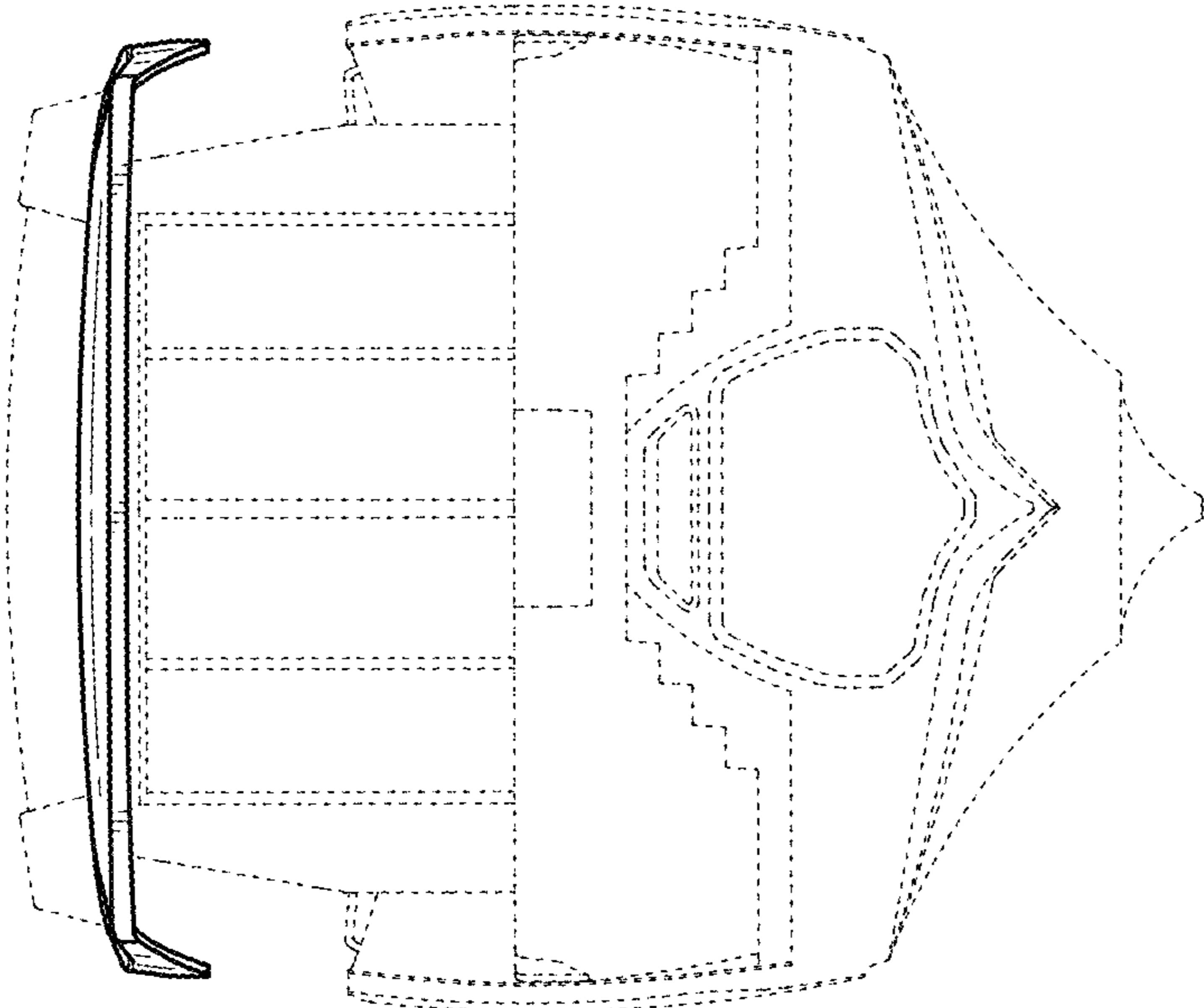


FIG. 6