



US00D718207S

(12) **United States Design Patent**  
**Grake et al.**

(10) **Patent No.:** **US D718,207 S**

(45) **Date of Patent:** **\*\* Nov. 25, 2014**

(54) **VEHICLE WHEEL**

(71) Applicant: **Ford Motor Company**, Dearborn, MI (US)

(72) Inventors: **James E. Grake**, Beverly Hills, MI (US); **George Bucher**, Dearborn, MI (US); **Michael Smith**, Plymouth, MI (US); **Joel Piaskowski**, West Bloomfield, MI (US)

(73) Assignee: **Ford Motor Company**, Dearborn, MI (US)

(\*\*) Term: **14 Years**

(21) Appl. No.: **29/482,380**

(22) Filed: **Feb. 18, 2014**

(51) **LOC (10) Cl.** ..... **12-16**

(52) **U.S. Cl.**  
USPC ..... **D12/211**

(58) **Field of Classification Search**  
CPC ..... B60B 7/00; B60B 7/02; B60B 7/04; B60B 7/01; B60B 7/06; B60B 3/02; B60B 3/04; B60B 3/06; B60B 3/10; B60B 1/00; B60B 1/08; B60B 1/10; B60B 1/12  
USPC ..... D12/204–213  
See application file for complete search history.

(56) **References Cited**

**U.S. PATENT DOCUMENTS**

D402,951 S \* 12/1998 Wechner ..... D12/211

D421,953 S *	3/2000	Sims et al.	.....	D12/211
D493,764 S *	8/2004	Sulahian	.....	D12/211
D515,493 S *	2/2006	Schaefers	.....	D12/211
D527,330 S *	8/2006	Madden	.....	D12/211
D527,333 S *	8/2006	Blasi	.....	D12/211
D569,777 S *	5/2008	Chung	.....	D12/211
D593,922 S *	6/2009	Blasi	.....	D12/211
D596,552 S *	7/2009	Beermann	.....	D12/211
D598,357 S *	8/2009	Chung	.....	D12/211
D613,230 S *	4/2010	Antoniadis et al.	.....	D12/211
D617,715 S *	6/2010	Gallert	.....	D12/211
D632,240 S *	2/2011	Szews	.....	D12/211
D658,560 S *	5/2012	Thurner	.....	D12/209
D671,881 S *	12/2012	Roura	.....	D12/211
D688,185 S *	8/2013	Baum	.....	D12/209
D697,016 S *	1/2014	Gonser	.....	D12/211
D704,119 S *	5/2014	Platto et al.	.....	D12/209
D705,153 S *	5/2014	Hall et al.	.....	D12/209

\* cited by examiner

*Primary Examiner* — Stacia Cadmus

(74) *Attorney, Agent, or Firm* — Damian Porcari

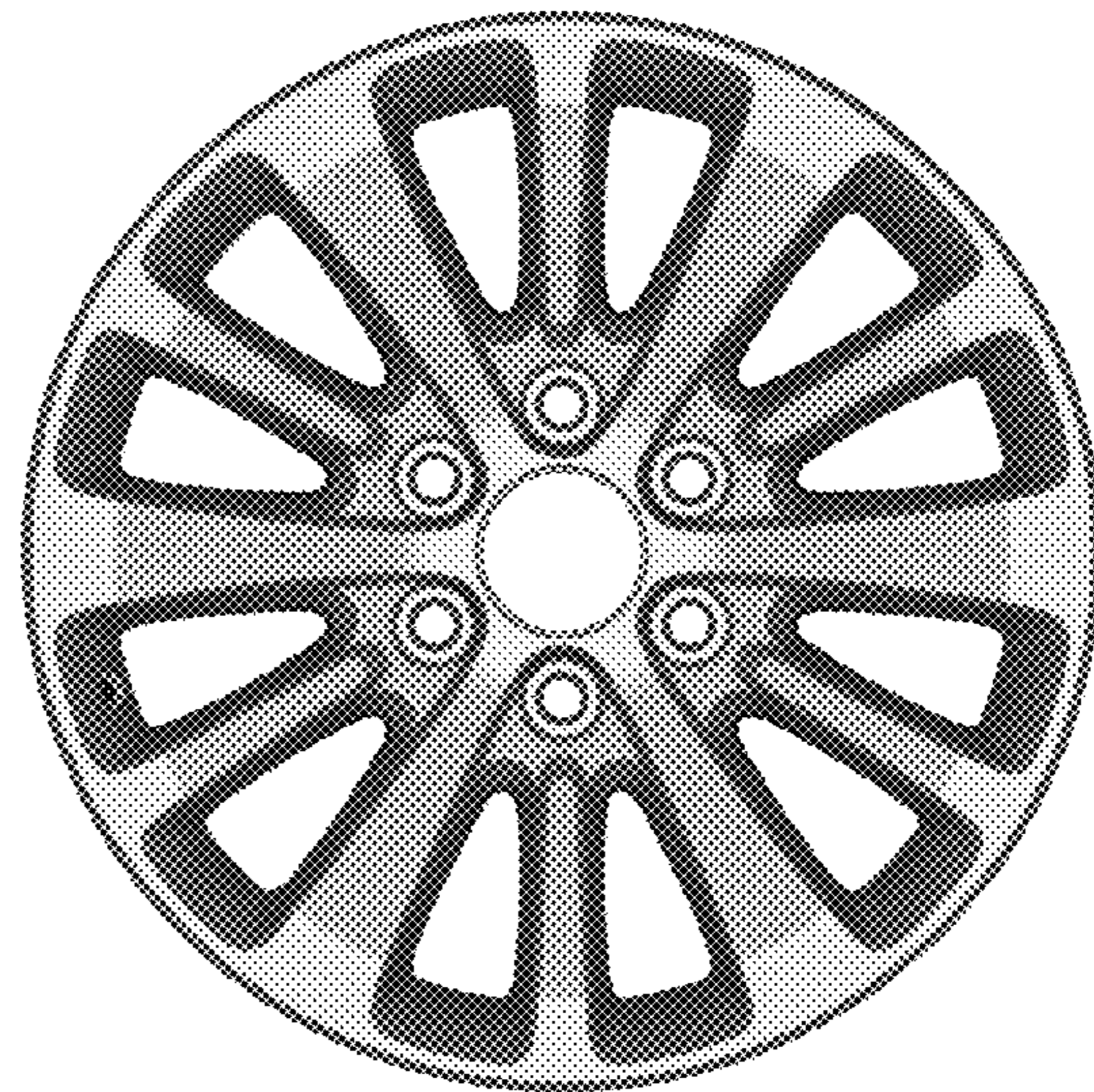
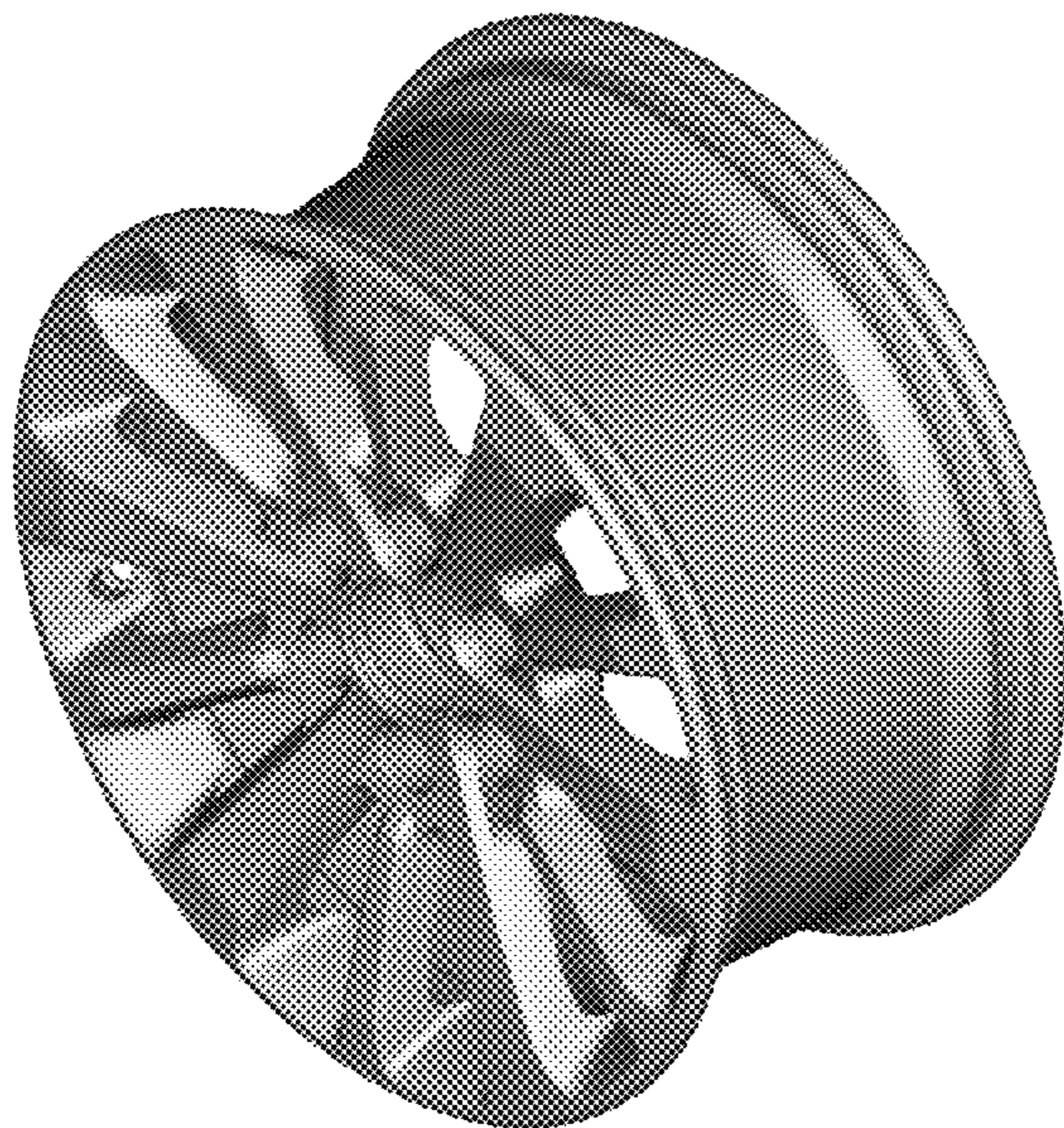
(57) **CLAIM**

The ornamental design for a vehicle wheel, as shown and described.

**DESCRIPTION**

FIG. 1 is a perspective view of a vehicle wheel; and, FIG. 2 is a front view thereof.

**1 Claim, 2 Drawing Sheets**





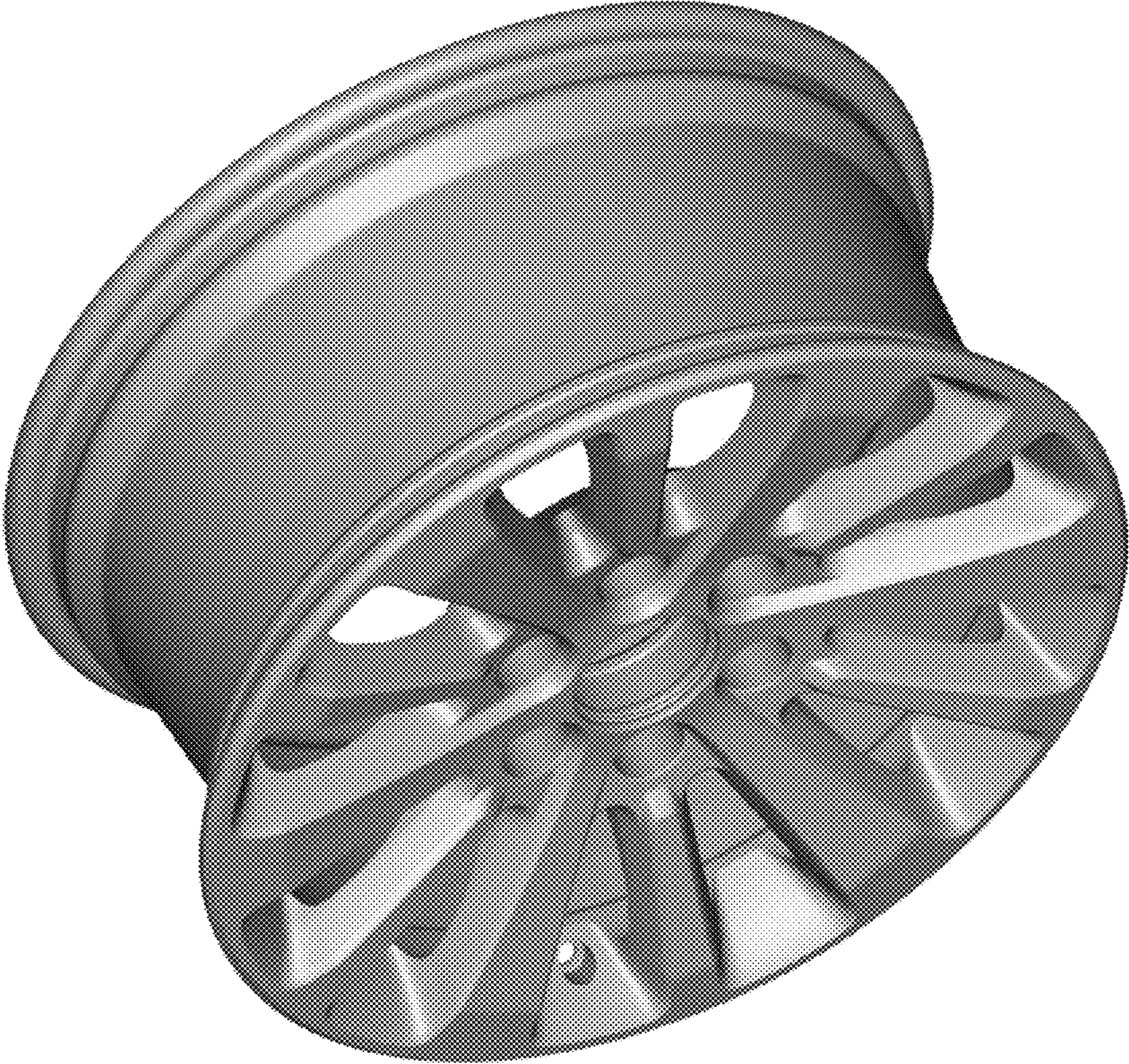


Figure 1





Figure 2