



US00D718206S

(12) **United States Design Patent**  
**Song et al.**

(10) **Patent No.:** **US D718,206 S**

(45) **Date of Patent:** **\*\* Nov. 25, 2014**

(54) **VEHICLE WHEEL**

(75) Inventors: **Solomon H. Song**, Farmington Hills, MI (US); **Darrell Paul Behmer**, Novi, MI (US)

(73) Assignee: **Ford Motor Company**, Dearborn, MI (US)

(\*\*) Term: **14 Years**

(21) Appl. No.: **29/416,978**

(22) Filed: **Mar. 29, 2012**

(51) **LOC (10) Cl.** ..... **12-16**

(52) **U.S. Cl.**  
USPC ..... **D12/211**

(58) **Field of Classification Search**  
CPC ..... B60B 7/00; B60B 7/02; B60B 7/04; B60B 7/01; B60B 7/06; B60B 3/02; B60B 3/04; B60B 3/06; B60B 3/10; B60B 1/00; B60B 1/08; B60B 1/10; B60B 1/12  
USPC ..... D12/204-213  
See application file for complete search history.

(56) **References Cited**

**U.S. PATENT DOCUMENTS**

D432,974 S \* 10/2000 Jablonski ..... D12/211  
D450,649 S \* 11/2001 Penzes ..... D12/211

D488,420 S \* 4/2004 Murkett et al. .... D12/209  
D513,487 S \* 1/2006 Wachtler ..... D12/209  
D522,432 S \* 6/2006 Pfeiffer ..... D12/209  
D522,434 S \* 6/2006 Langer ..... D12/209  
D530,252 S \* 10/2006 Gabath ..... D12/209  
D537,026 S \* 2/2007 Nordmann ..... D12/209  
D539,204 S \* 3/2007 Pollmann ..... D12/209  
D542,728 S \* 5/2007 Ichinose ..... D12/211  
D547,711 S \* 7/2007 Young ..... D12/211  
D560,589 S \* 1/2008 Celik ..... D12/211  
D587,177 S \* 2/2009 Scheu ..... D12/209  
D598,834 S \* 8/2009 Juergens et al. .... D12/209  
D621,765 S \* 8/2010 Baum ..... D12/209  
D625,675 S \* 10/2010 Juergens et al. .... D12/209  
D626,053 S \* 10/2010 Groom ..... D12/211  
D629,346 S \* 12/2010 Szews ..... D12/211  
D663,670 S \* 7/2012 Juergens et al. .... D12/211  
D688,181 S \* 8/2013 Gotschke et al. .... D12/209  
D691,541 S \* 10/2013 Behmer et al. .... D12/209

\* cited by examiner

*Primary Examiner* — Stacia Cadmus

(74) *Attorney, Agent, or Firm* — Damian Porcari

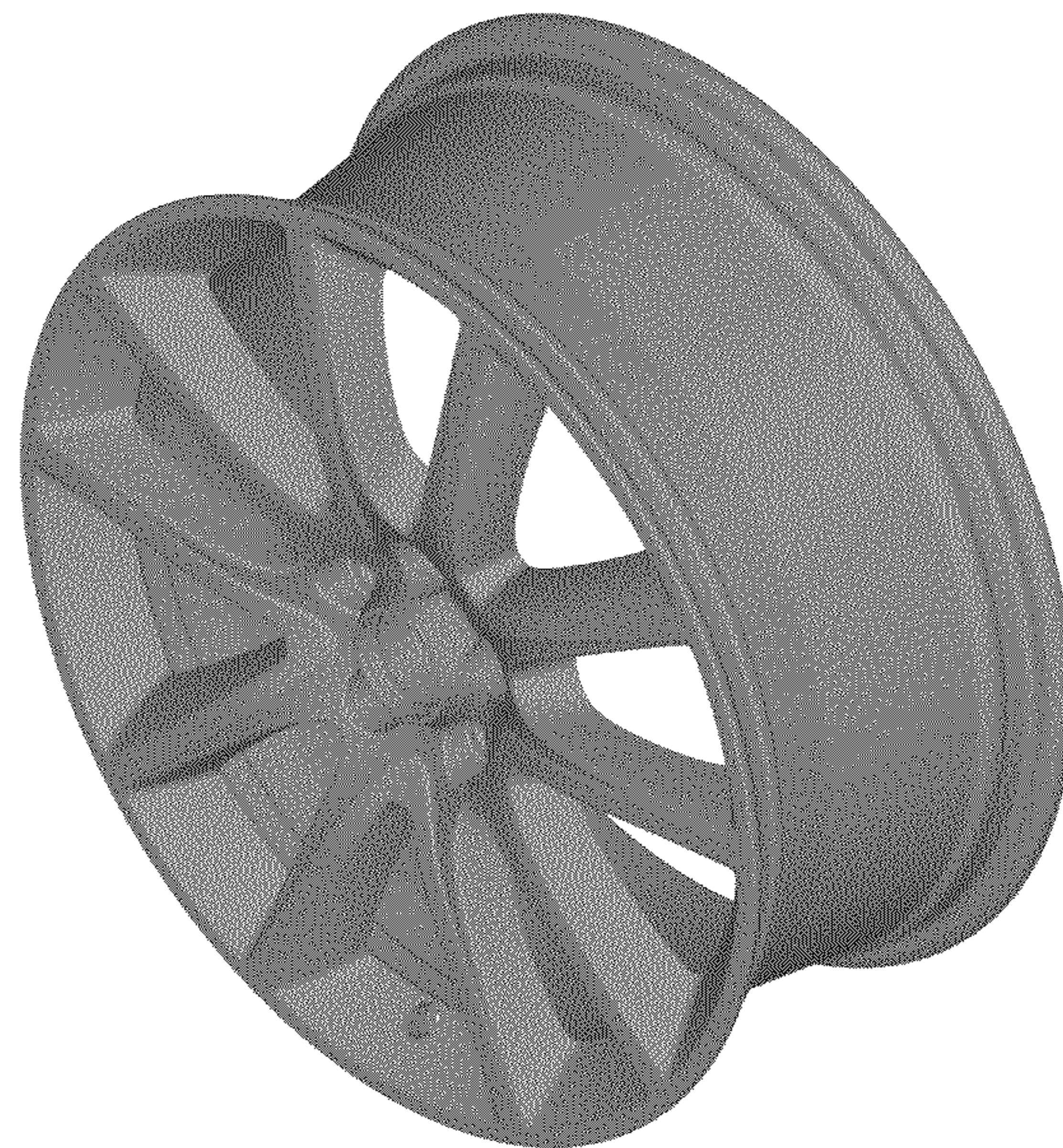
(57) **CLAIM**

The ornamental design for a vehicle wheel, as shown and described.

**DESCRIPTION**

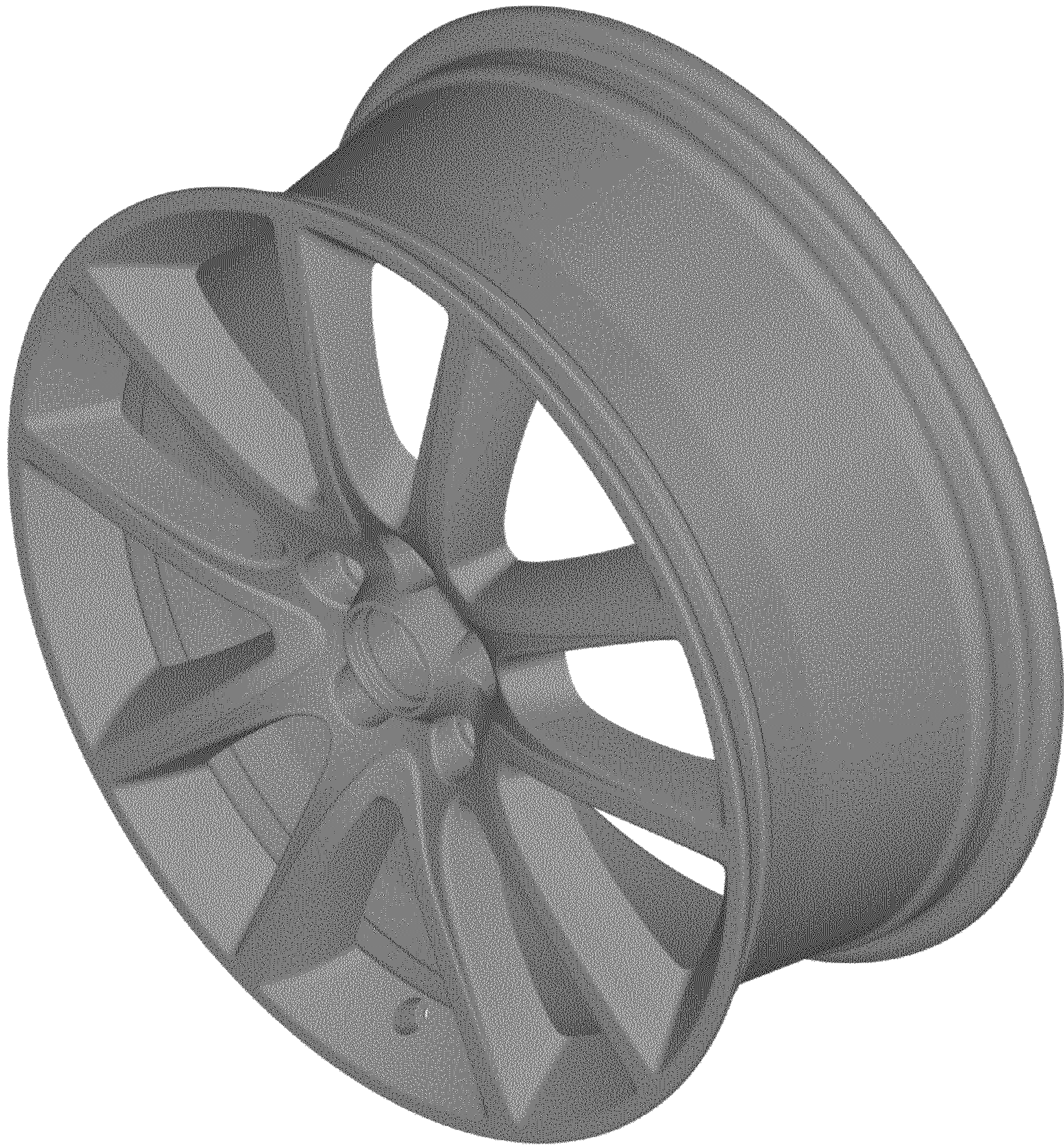
FIG. 1 is a front view of a vehicle wheel; and, FIG. 2 is a perspective view of the vehicle wheel.

**1 Claim, 2 Drawing Sheets**





*Figure 1*



*Figure 2*