



US00D718204S

(12) **United States Design Patent**  
**Johnson**

(10) **Patent No.:** **US D718,204 S**

(45) **Date of Patent:** **\*\* Nov. 25, 2014**

(54) **AUTOMOTIVE WHEEL**

(71) Applicant: **Kelly R. Johnson**, City of Industry, CA (US)

(72) Inventor: **Kelly R. Johnson**, City of Industry, CA (US)

(73) Assignee: **The Wheel Group**, City of Industry, CA (US)

(\*\*) Term: **14 Years**

(21) Appl. No.: **29/474,262**

(22) Filed: **Jul. 28, 2014**

(51) **LOC (10) Cl.** ..... **12-16**

(52) **U.S. Cl.**  
USPC ..... **D12/209**

(58) **Field of Classification Search**  
CPC ..... B60B 7/00; B60B 7/02; B60B 7/04;  
B60B 7/01; B60B 7/06; B60B 3/02; B60B  
3/04; B60B 3/06; B60B 3/10; B60B 1/00;  
B60B 1/08; B60B 1/10; B60B 1/12  
USPC ..... D12/204-213  
See application file for complete search history.

(56) **References Cited**

**U.S. PATENT DOCUMENTS**

D567,732 S \* 4/2008 Chung ..... D12/209  
D579,845 S \* 11/2008 Chung ..... D12/209  
D620,863 S \* 8/2010 Groom ..... D12/209

D629,347 S \* 12/2010 Kim ..... D12/211  
D639,221 S \* 6/2011 Johnson ..... D12/209  
D639,222 S \* 6/2011 Johnson ..... D12/209  
D644,156 S \* 8/2011 Johnson ..... D12/209  
D649,101 S \* 11/2011 Hale, Jr. .... D12/209  
D659,064 S \* 5/2012 Johnson ..... D12/209  
D659,067 S \* 5/2012 Lee ..... D12/209  
D659,069 S \* 5/2012 Johnson ..... D12/211  
D670,222 S \* 11/2012 Chung ..... D12/209  
D675,970 S \* 2/2013 Lee ..... D12/209  
D678,160 S \* 3/2013 Claunch ..... D12/209  
D680,936 S \* 4/2013 Claunch ..... D12/209  
D681,534 S \* 5/2013 Zhao ..... D12/211  
D686,963 S \* 7/2013 Hale, Jr. .... D12/211  
D691,937 S \* 10/2013 Chan ..... D12/209  
D699,173 S \* 2/2014 Zhao ..... D12/211  
D706,697 S \* 6/2014 Chung ..... D12/209  
D712,334 S \* 9/2014 Hale, Jr. .... D12/211

\* cited by examiner

*Primary Examiner* — Stacia Cadmus

(57) **CLAIM**

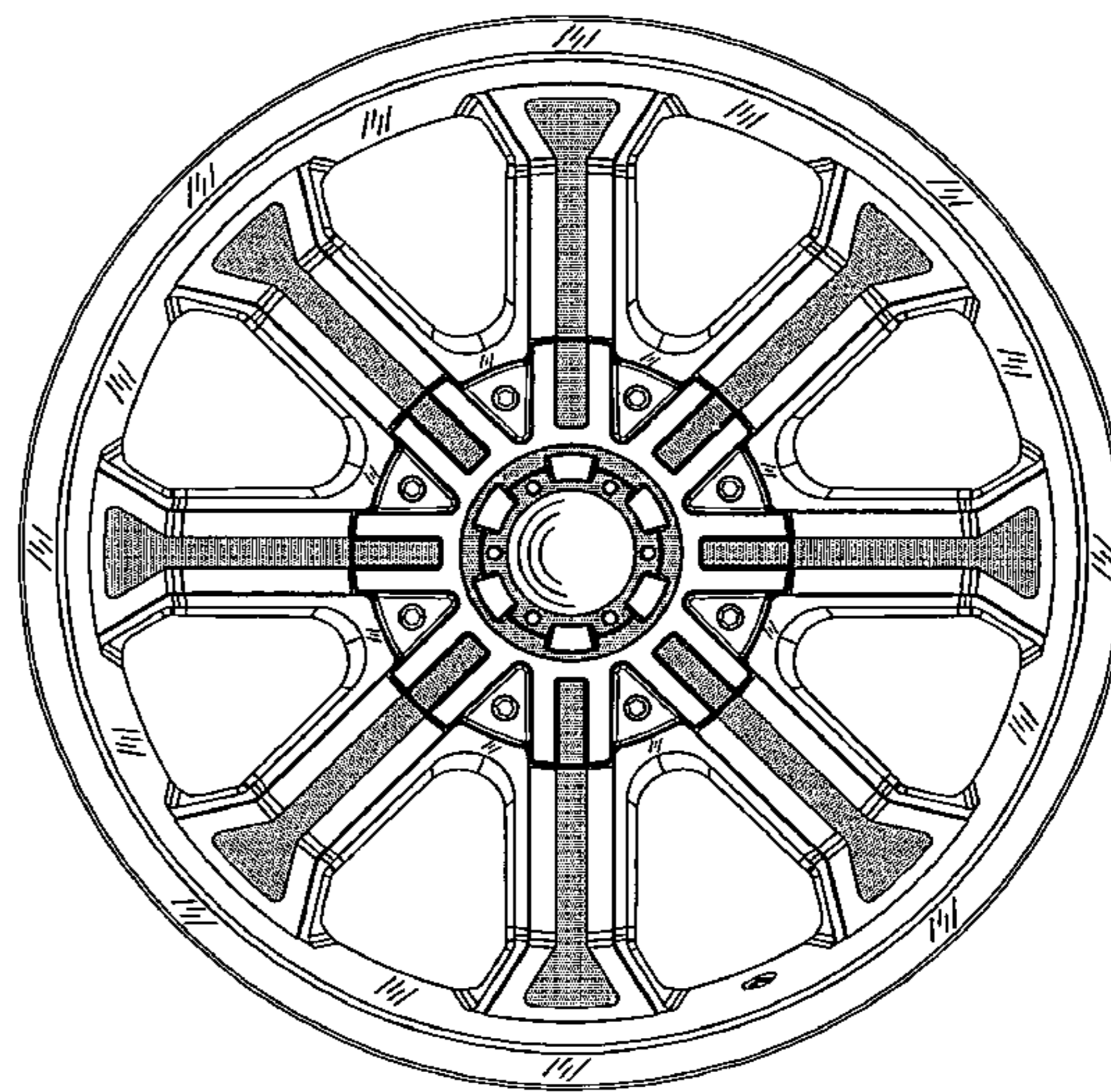
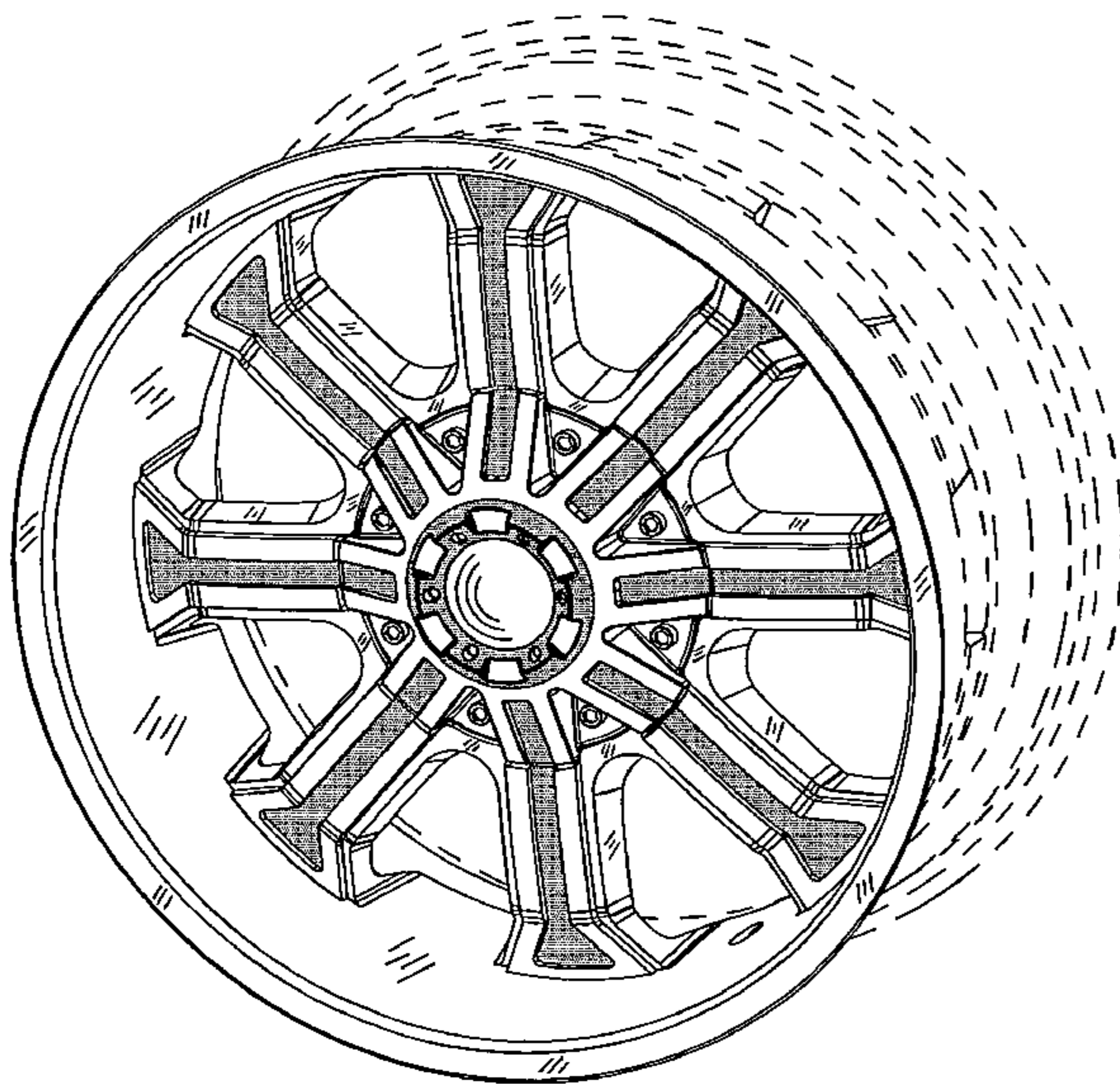
The ornamental design for an automotive wheel, as shown and described.

**DESCRIPTION**

FIG. 1 is a perspective view of an automotive wheel showing my new design; and, FIG. 2 is a front view thereof.

The broken line showing of the rear portion of the wheel rim is included for the purpose of illustrating environment and forms no part of the claimed design.

**1 Claim, 2 Drawing Sheets**



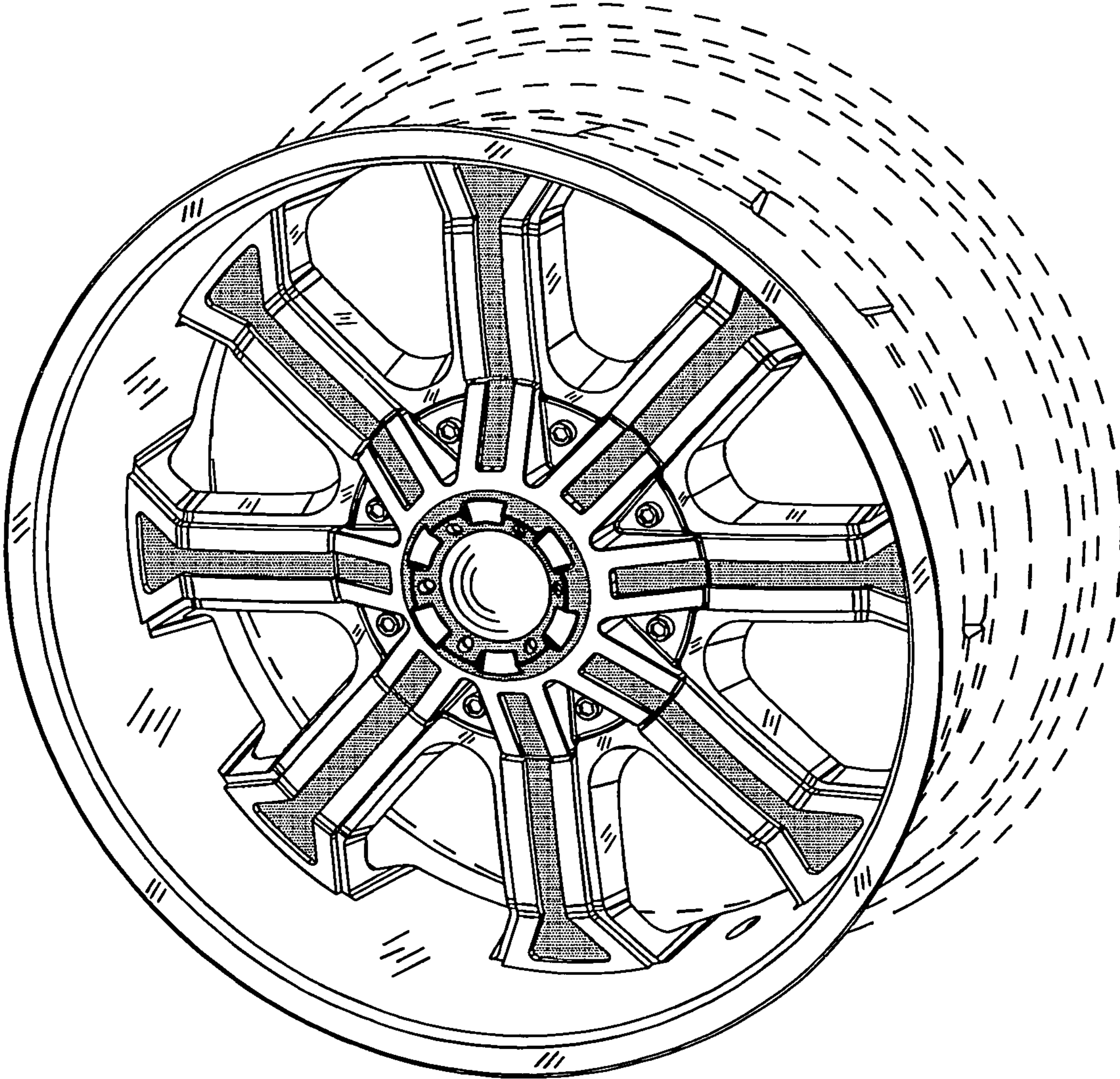


FIG.1

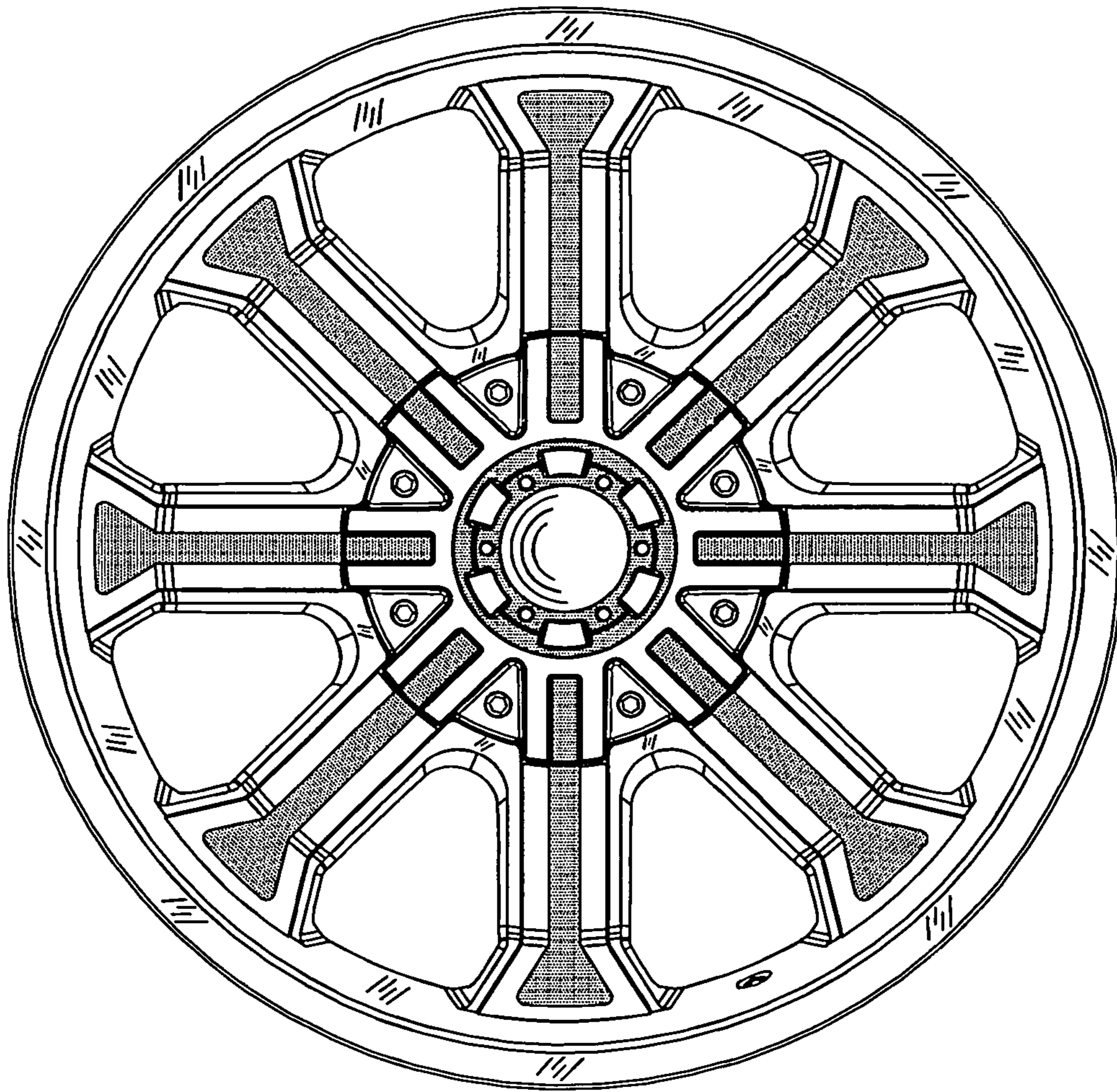


FIG.2