



US00D718202S

(12) **United States Design Patent**
Brown, Jr.

(10) **Patent No.:** **US D718,202 S**

(45) **Date of Patent:** **** Nov. 25, 2014**

(54) **GOLF CART DOOR**

(71) Applicant: **Arlen F. Brown, Jr.**, King George, VA
(US)

(72) Inventor: **Arlen F. Brown, Jr.**, King George, VA
(US)

(**) Term: **14 Years**

(21) Appl. No.: **29/443,967**

(22) Filed: **Jan. 24, 2013**

(51) **LOC (10) Cl.** **12-16**

(52) **U.S. Cl.**
USPC **D12/196**

(58) **Field of Classification Search**
USPC D12/90, 91, 92, 96, 99, 100, 196;
296/77.1, 79, 83, 146, 146.1, 152,
296/181.1, 185, 190, 190.1; 180/89.1,
180/89.11, 89.12; 49/349, 389, 479, 502,
49/503

See application file for complete search history.

(56) **References Cited**

U.S. PATENT DOCUMENTS

4,621,859	A *	11/1986	Spicher	296/77.1
D315,329	S *	3/1991	Tisten et al.	D12/196
5,259,656	A *	11/1993	Carroll	296/77.1
D416,221	S *	11/1999	Sutton et al.	D12/196
6,776,445	B1 *	8/2004	Conner et al.	296/79
6,926,334	B1	8/2005	Diehm		
D555,058	S *	11/2007	Curtis et al.	D12/196
7,422,267	B2 *	9/2008	Curtis et al.	296/146.12
7,597,385	B2 *	10/2009	Shibata et al.	296/190.11

D618,604	S *	6/2010	Beigel et al.	D12/196
D682,172	S *	5/2013	Peltola et al.	D12/196
D691,924	S *	10/2013	Smith	D12/96
D695,178	S *	12/2013	Tada et al.	D12/196
2005/0093331	A1	5/2005	Moskos et al.		
2009/0183808	A1	7/2009	Sappington et al.		
2013/0234467	A1 *	9/2013	Brown, Jr.	296/181.1

* cited by examiner

Primary Examiner — Philip S Hyder

Assistant Examiner — Darlington Ly

(74) *Attorney, Agent, or Firm* — Millen, White, Zelano & Branigan, P.C.

(57) **CLAIM**

The ornamental design for a golf cart door, as shown and described.

DESCRIPTION

FIG. 1 is a front elevation view of the golf cart door showing my new design.

FIG. 2 is a rear elevation view thereof.

FIG. 3 is a side elevation view thereof.

FIG. 4 is opposing side view thereof.

FIG. 5 is top plan view thereof.

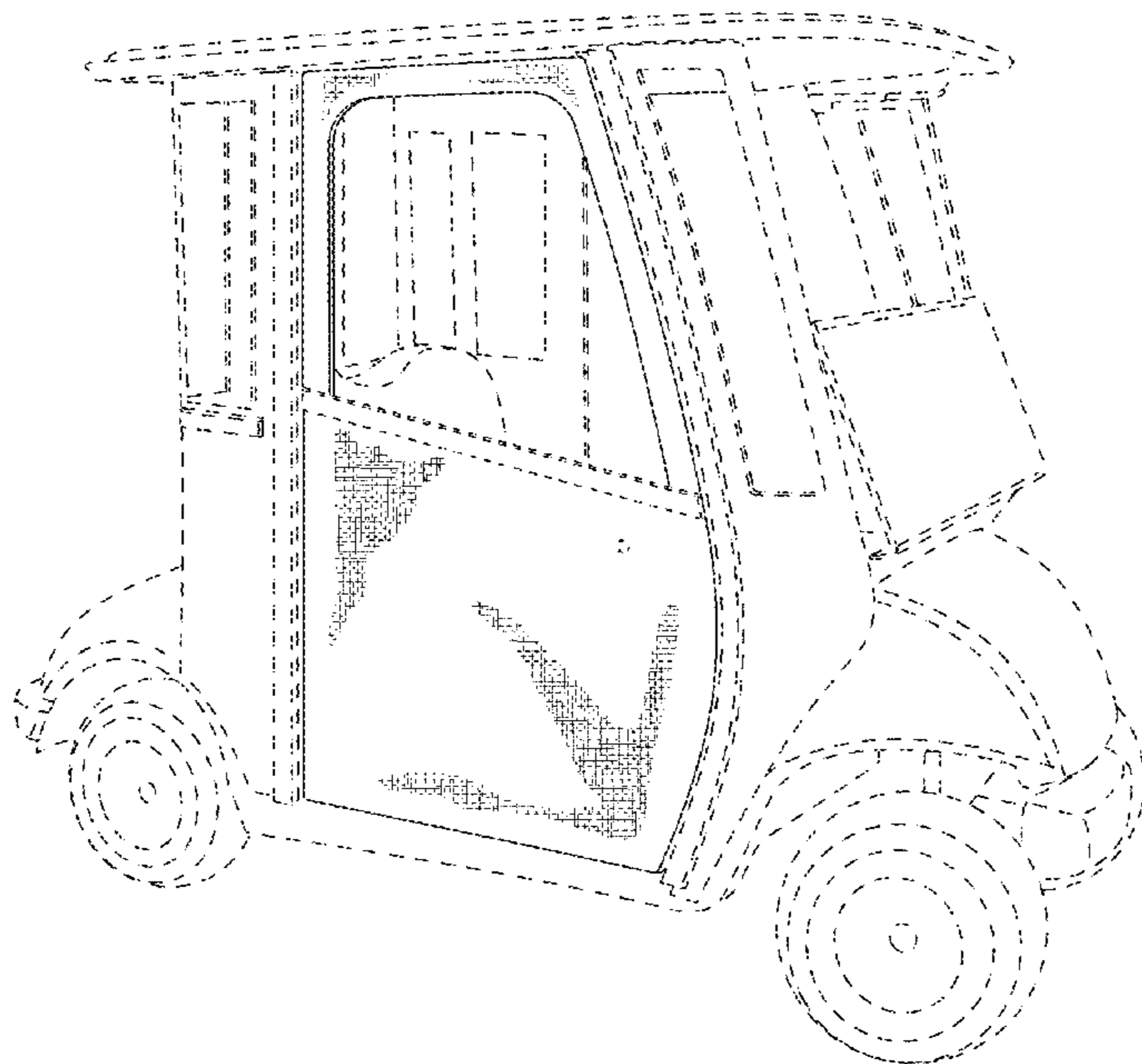
FIG. 6 is bottom plan view thereof; and,

FIG. 7 is a perspective view of the golf cart door in an environment of use.

The graphical cross hatch pattern is a symbolic representation of a cloth fabric material.

The broken lines in the drawings illustrate portions of the golf cart door and environmental structure that forms no part of the claimed design.

1 Claim, 4 Drawing Sheets



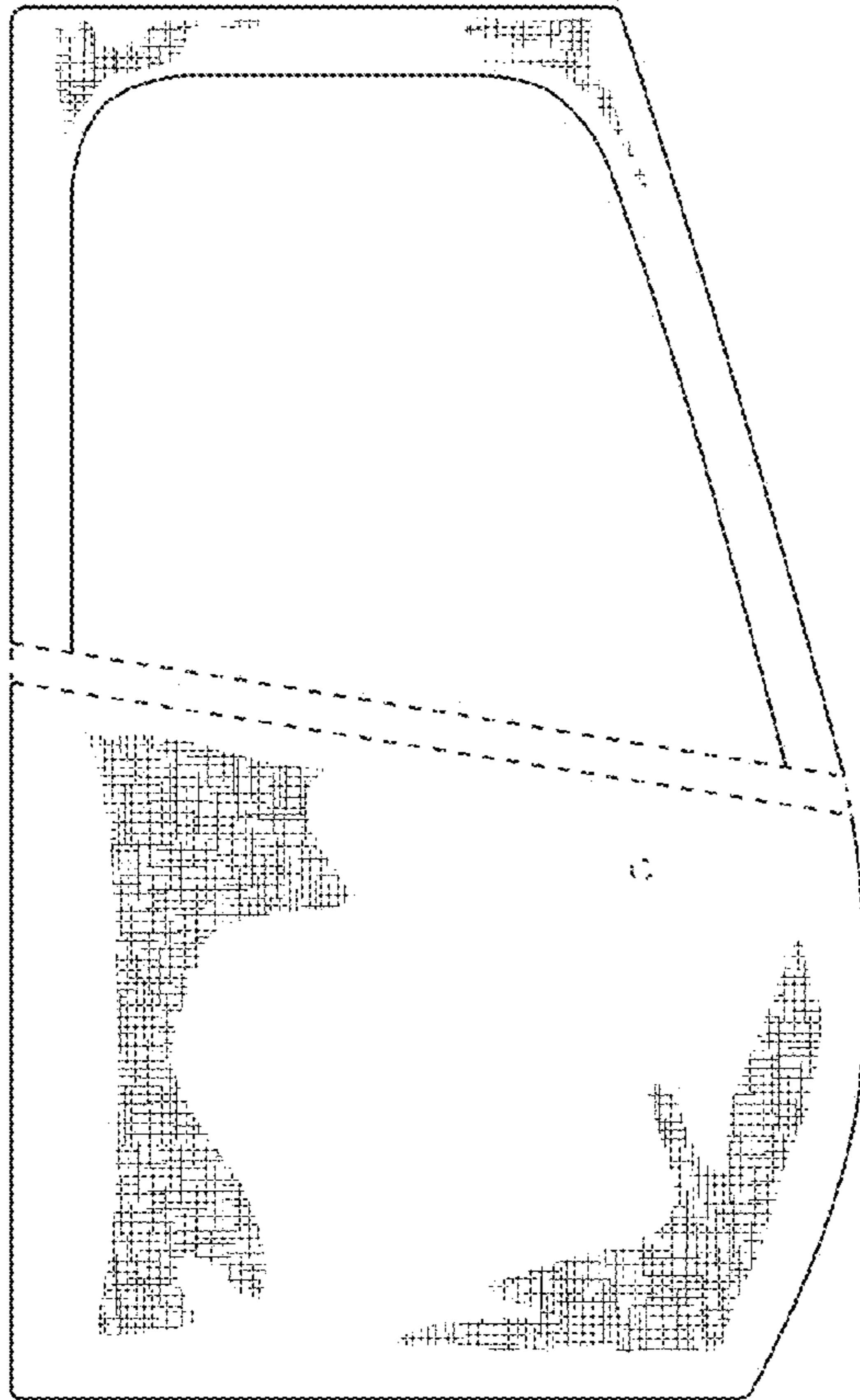


Fig. 1

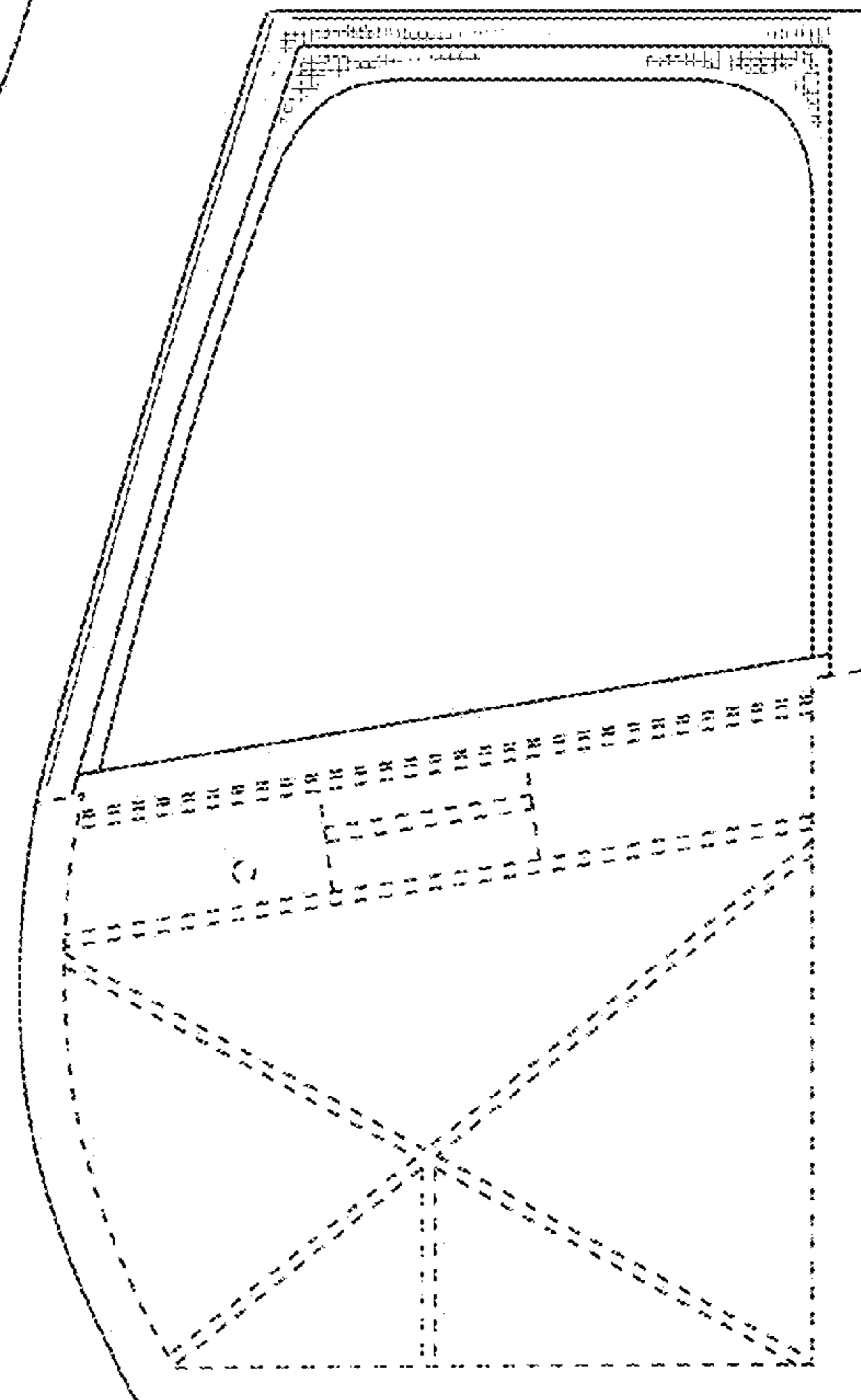


Fig. 2



Fig. 3



Fig. 4



Fig. 5

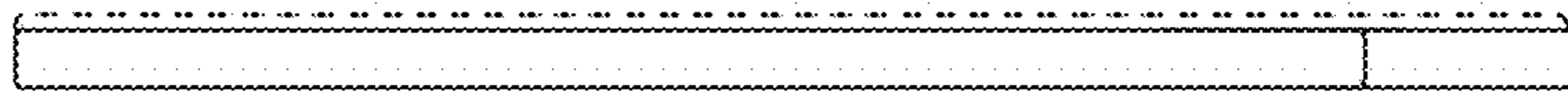


Fig. 6

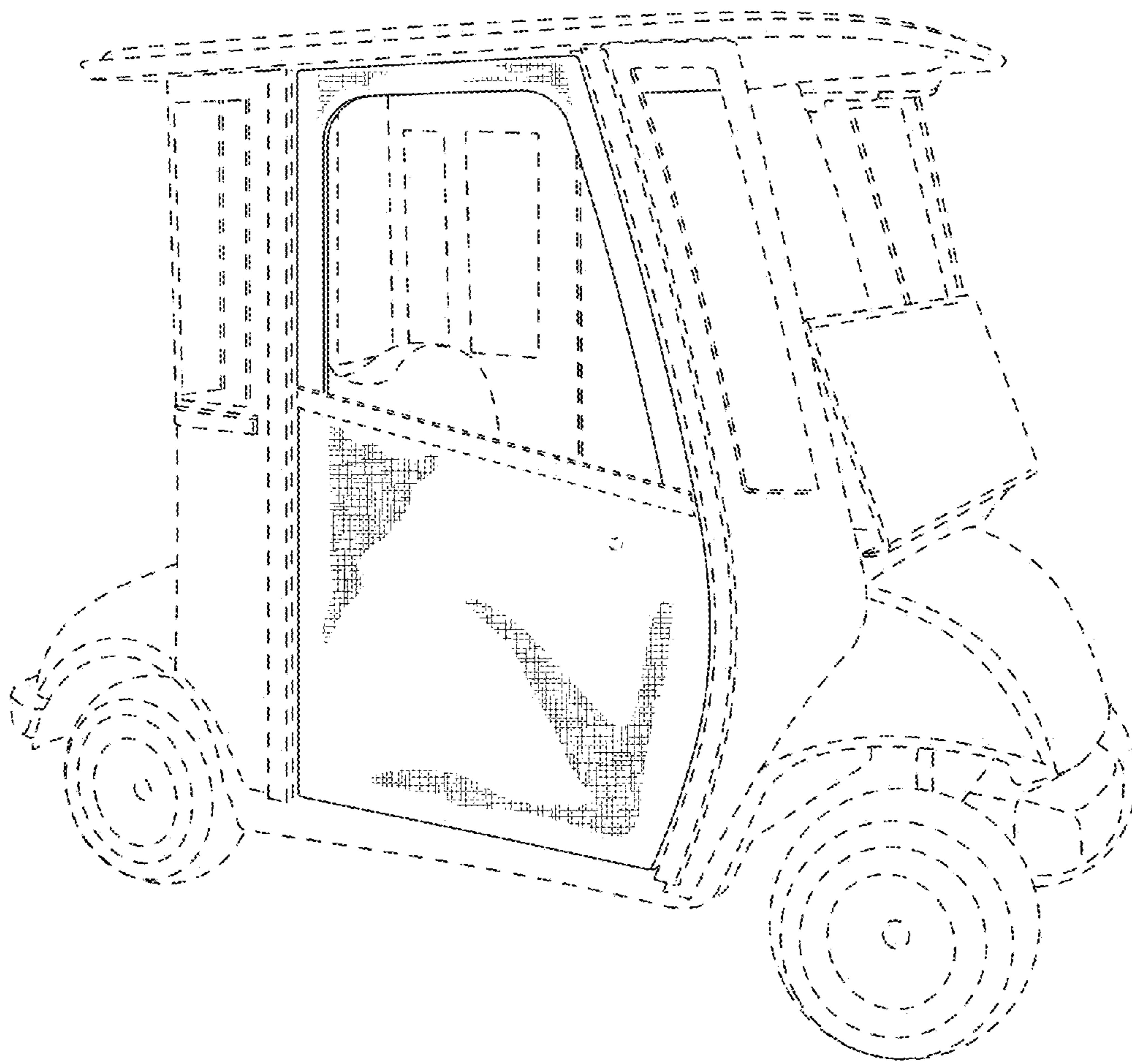


Fig. 7