



US00D718201S

(12) **United States Design Patent**  
**Drew et al.**

(10) **Patent No.:** **US D718,201 S**  
(45) **Date of Patent:** **\*\* Nov. 25, 2014**

(54) **VEHICLE GAUGE**

(71) Applicant: **Drew Technologies, Inc.**, Ann Arbor, MI (US)

(72) Inventors: **Michael Drew**, Dexter, MI (US); **Brian Herron**, Dexter, MI (US)

(73) Assignee: **Drew Technologies, Inc.**, Ann Arbor, MI (US)

(\*\*) Term: **14 Years**

(21) Appl. No.: **29/435,678**

(22) Filed: **Oct. 26, 2012**

(51) **LOC (10) Cl.** ..... **12-16**

(52) **U.S. Cl.**  
USPC ..... **D12/192**

(58) **Field of Classification Search**  
USPC ..... D12/192, 415, 110, 114; 180/90;  
280/750-752; 296/190.01-190.09,  
296/191, 70; D15/17, 28; D10/46, 98,  
D10/102-103, 122-127

See application file for complete search history.

(56) **References Cited**

U.S. PATENT DOCUMENTS

D650,728	S	*	12/2011	Mayrand et al.	.....	D12/192
D654,415	S	*	2/2012	Mizuno	.....	D12/192
D656,440	S	*	3/2012	Klein	.....	D12/192
D673,487	S	*	1/2013	Hanson et al.	.....	D12/192
D704,611	S	*	5/2014	Tilscher	.....	D12/192
2009/0206627	A1	*	8/2009	Duplantis et al.	.....	296/72

\* cited by examiner

*Primary Examiner* — Katrina A Betton

(74) *Attorney, Agent, or Firm* — Brinks Gilson & Lione

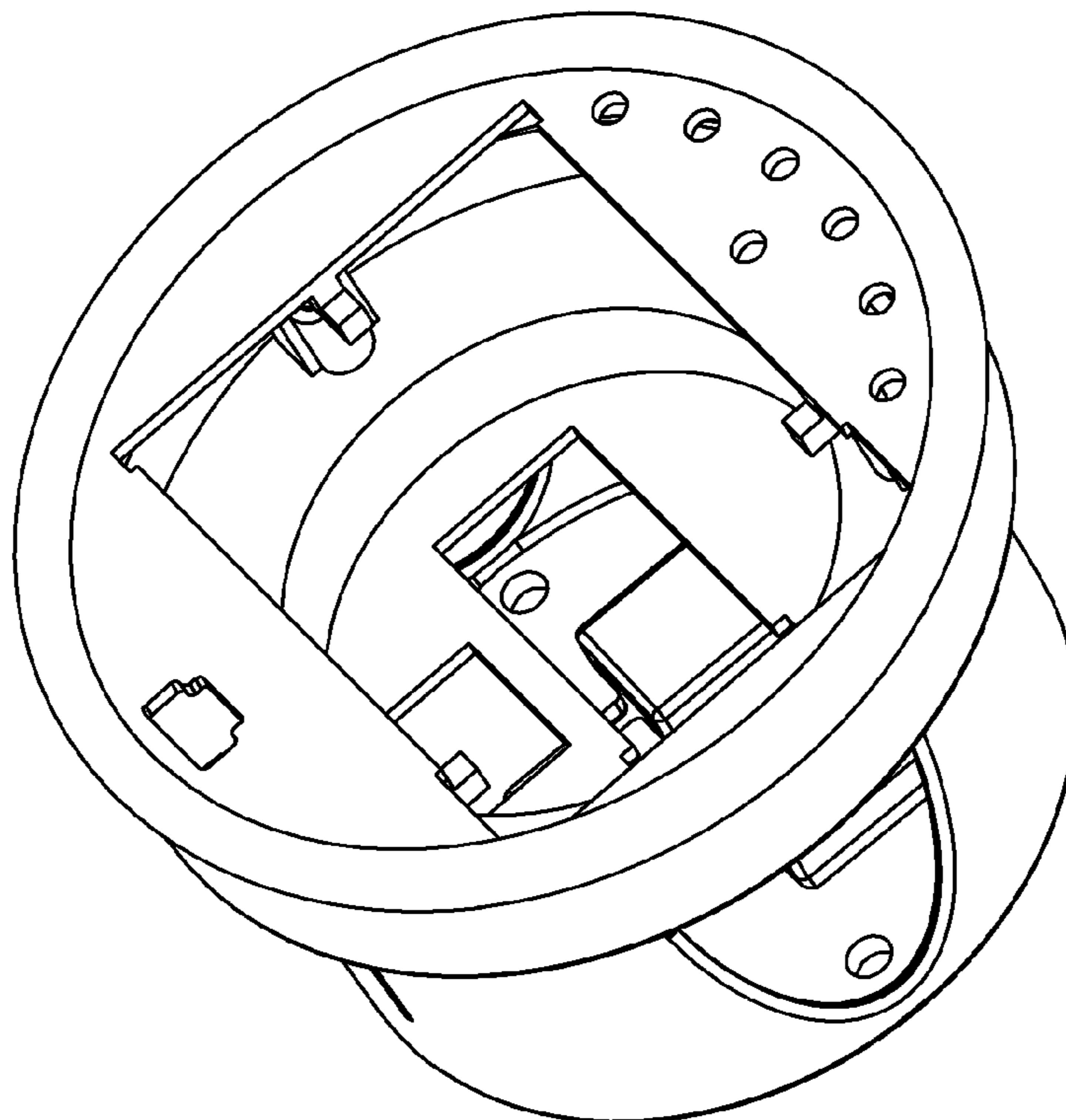
(57) **CLAIM**

The ornamental design for a vehicle gauge, as shown and described.

**DESCRIPTION**

FIG. 1 is a front perspective view of the vehicle gauge of the present invention;  
FIG. 2 is a rear perspective view of the vehicle gauge of the present invention;  
FIG. 3 is a front view of the vehicle gauge shown in FIG. 1;  
FIG. 4 is a top view of the vehicle gauge shown in FIG. 1.  
FIG. 5 is a left side view of the vehicle gauge shown in FIG. 1;  
FIG. 6 is a bottom view of the vehicle gauge shown in FIG. 1.  
FIG. 7 is a right side view of the vehicle gauge shown in FIG. 1; and,  
FIG. 8 is a rear view of the vehicle gauge shown in FIG. 1.

**1 Claim, 4 Drawing Sheets**



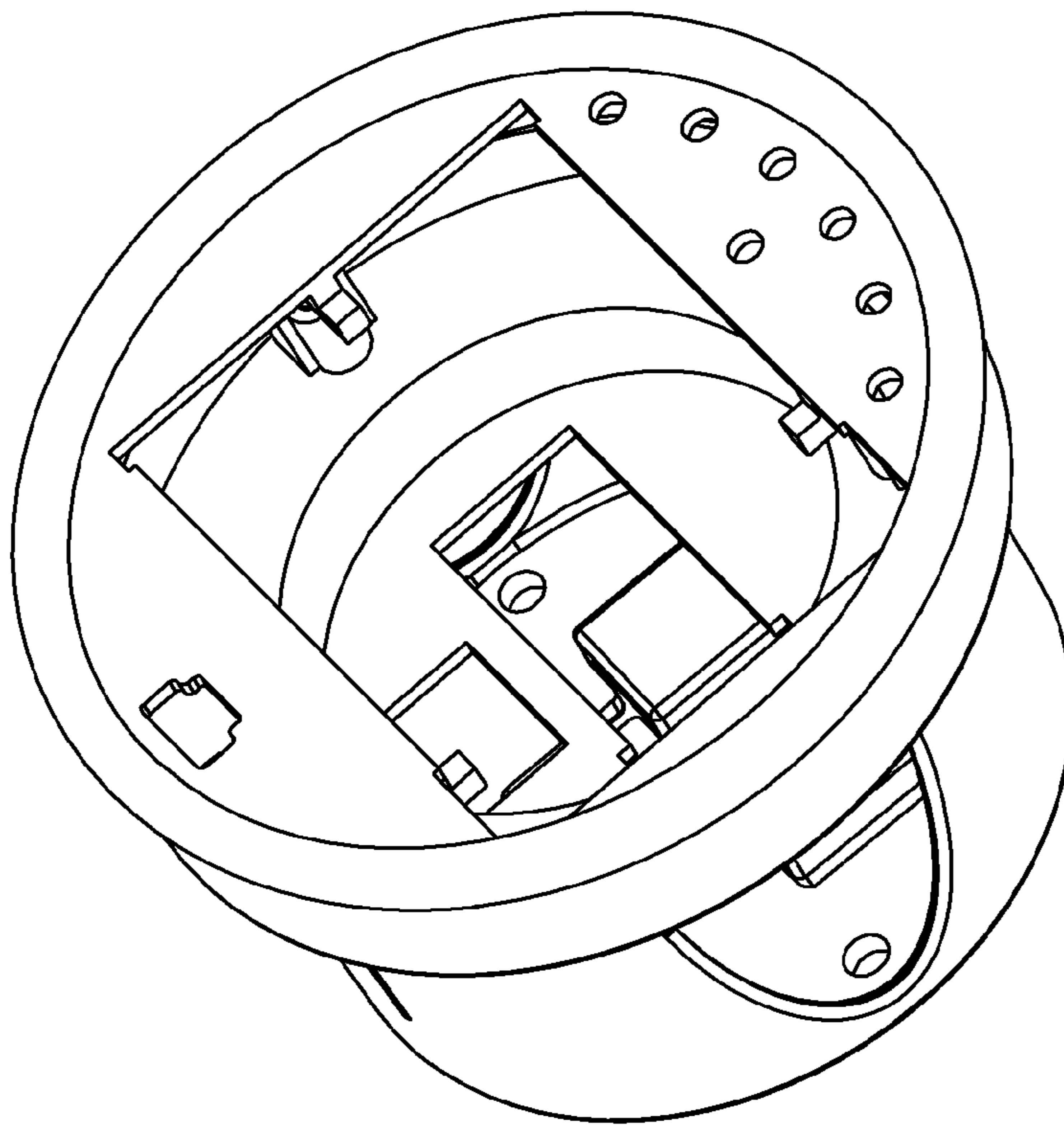


FIG - 1

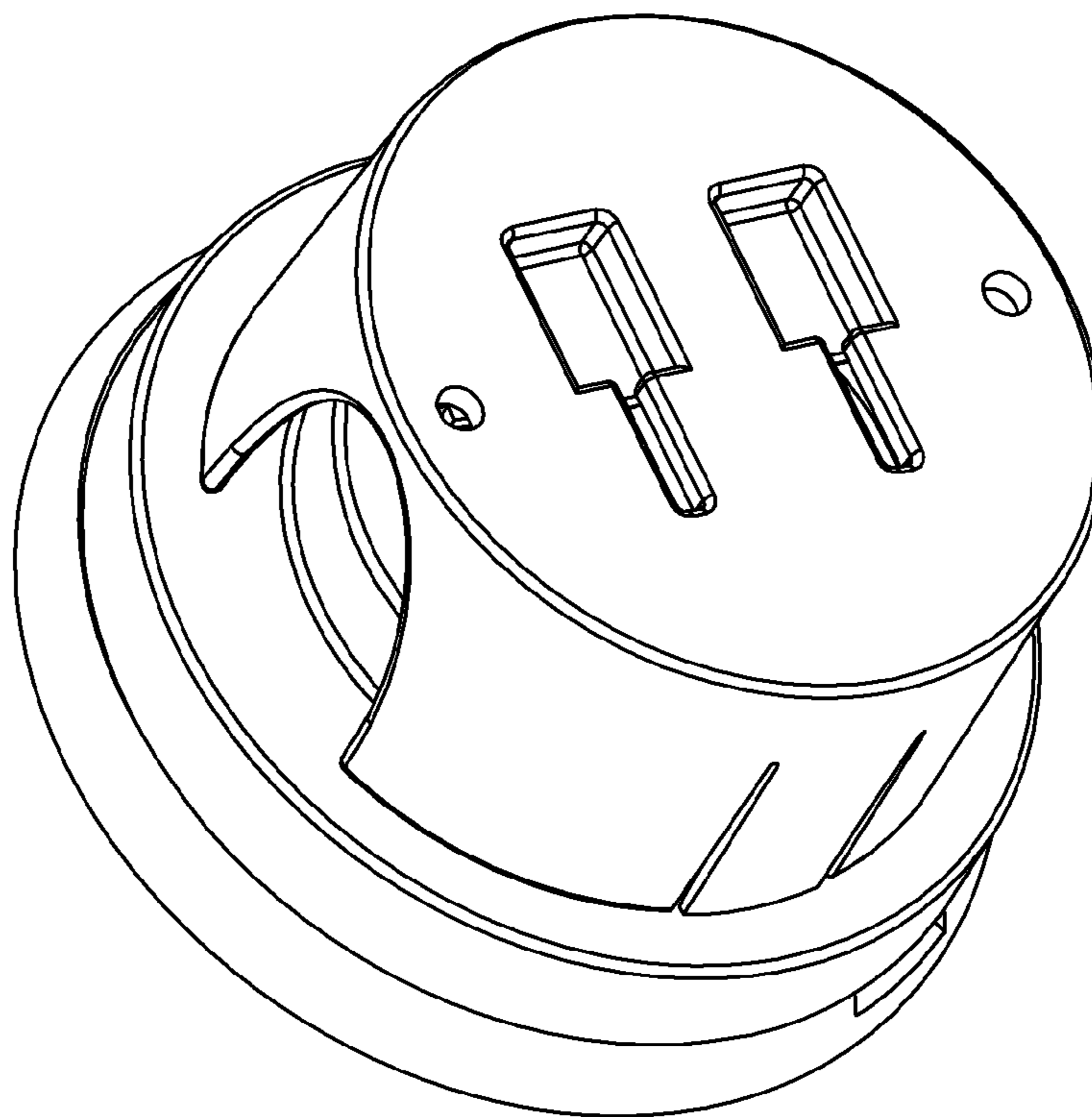


FIG - 2

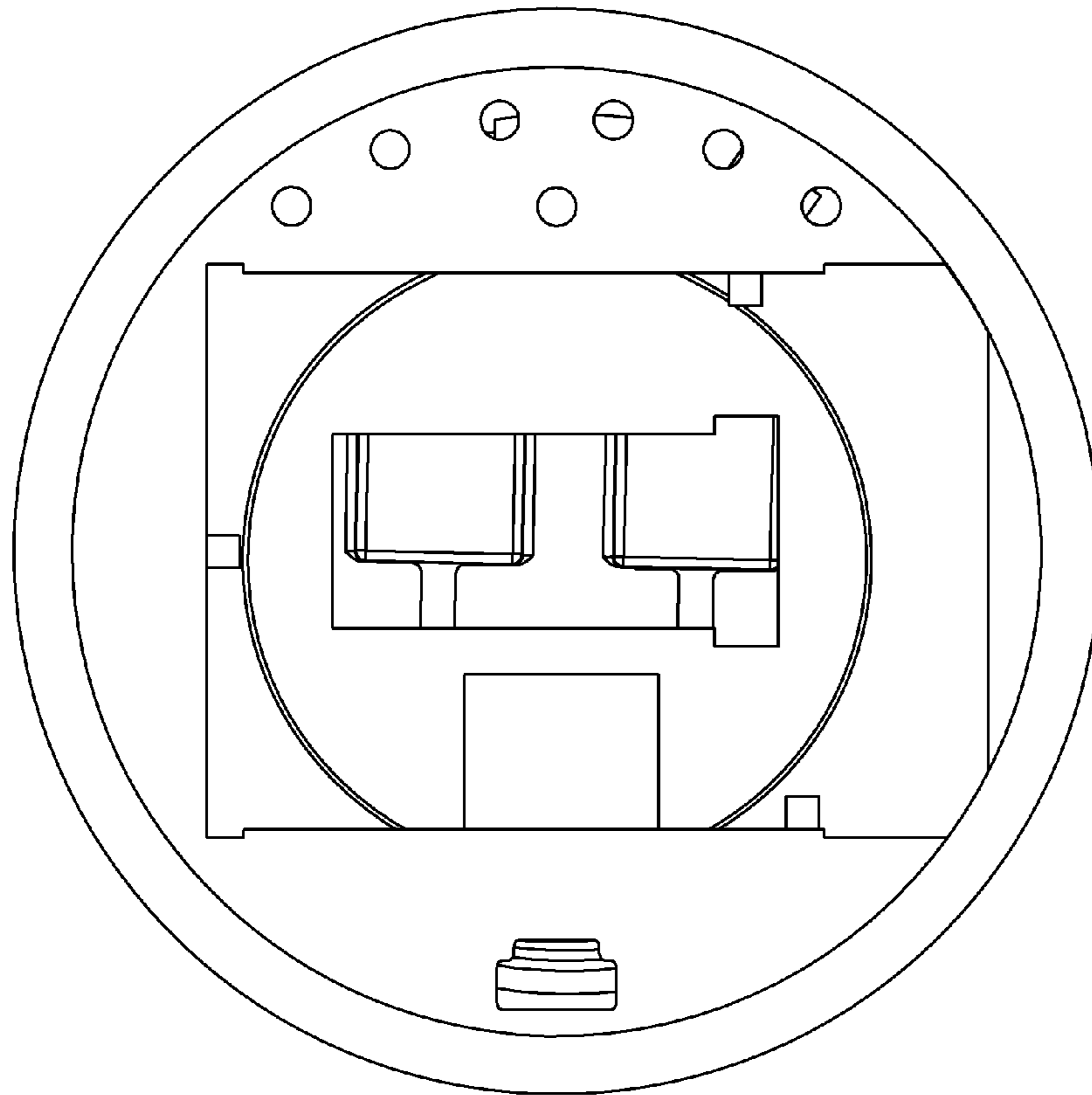


FIG - 3

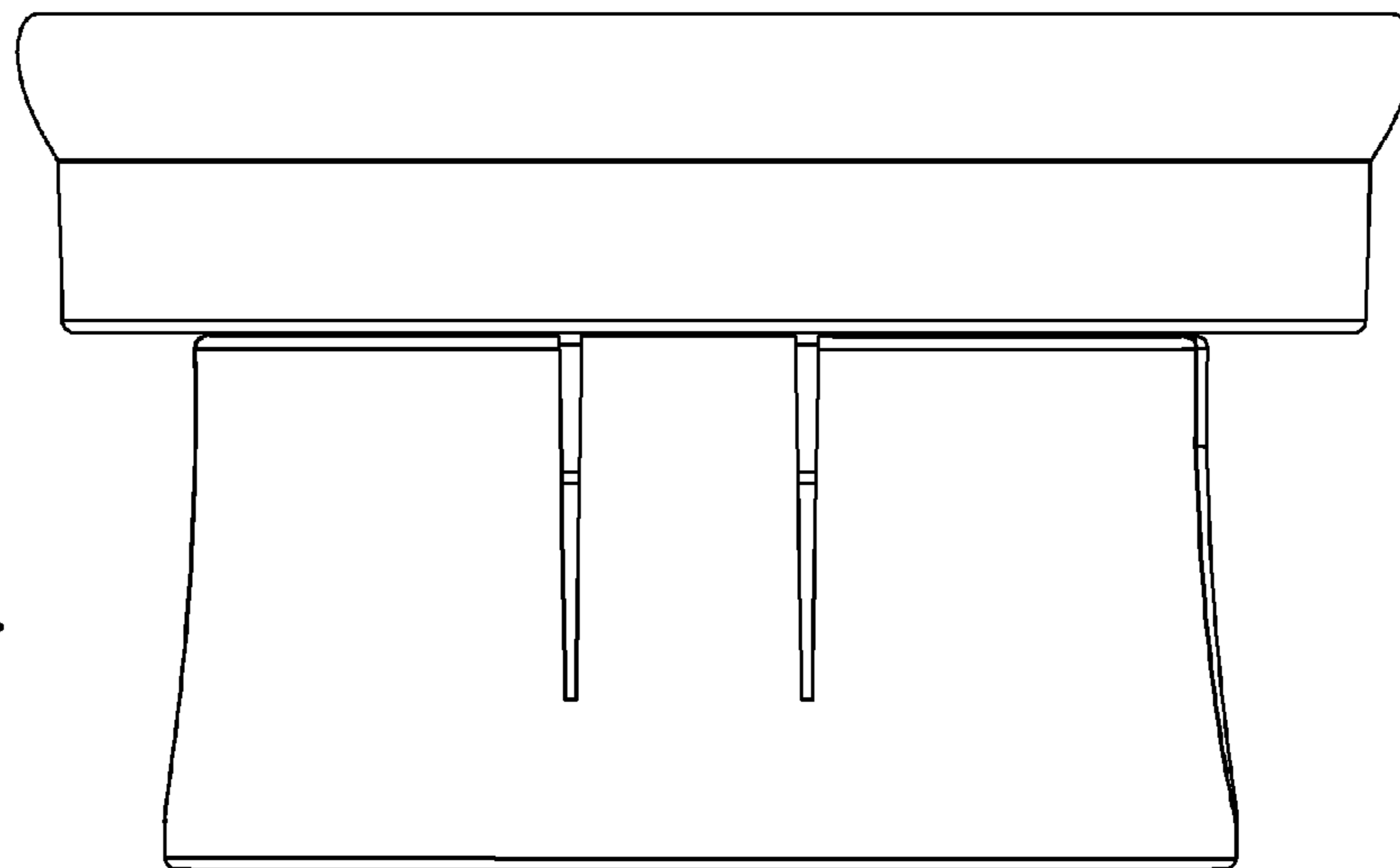


FIG - 4

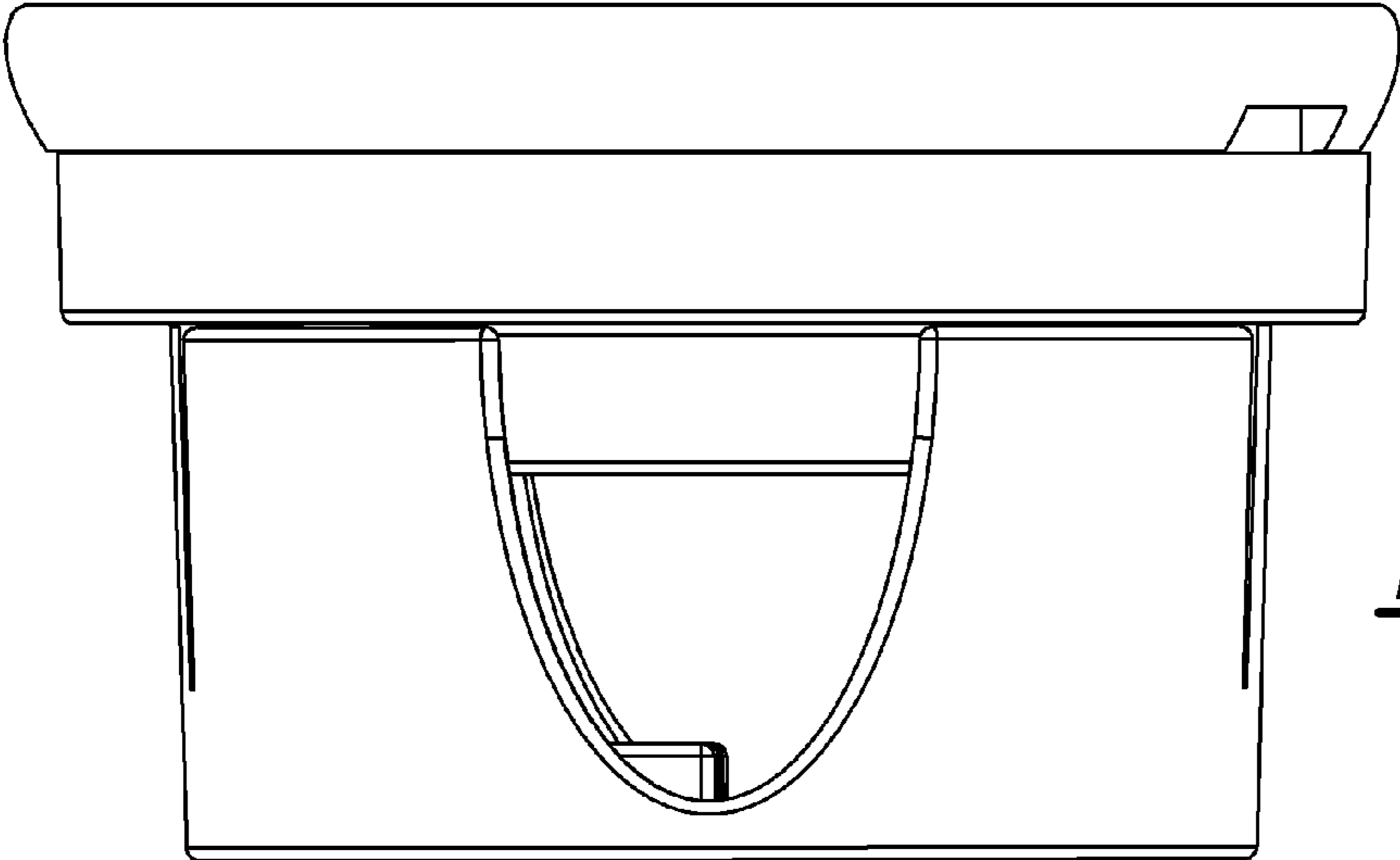


FIG - 5

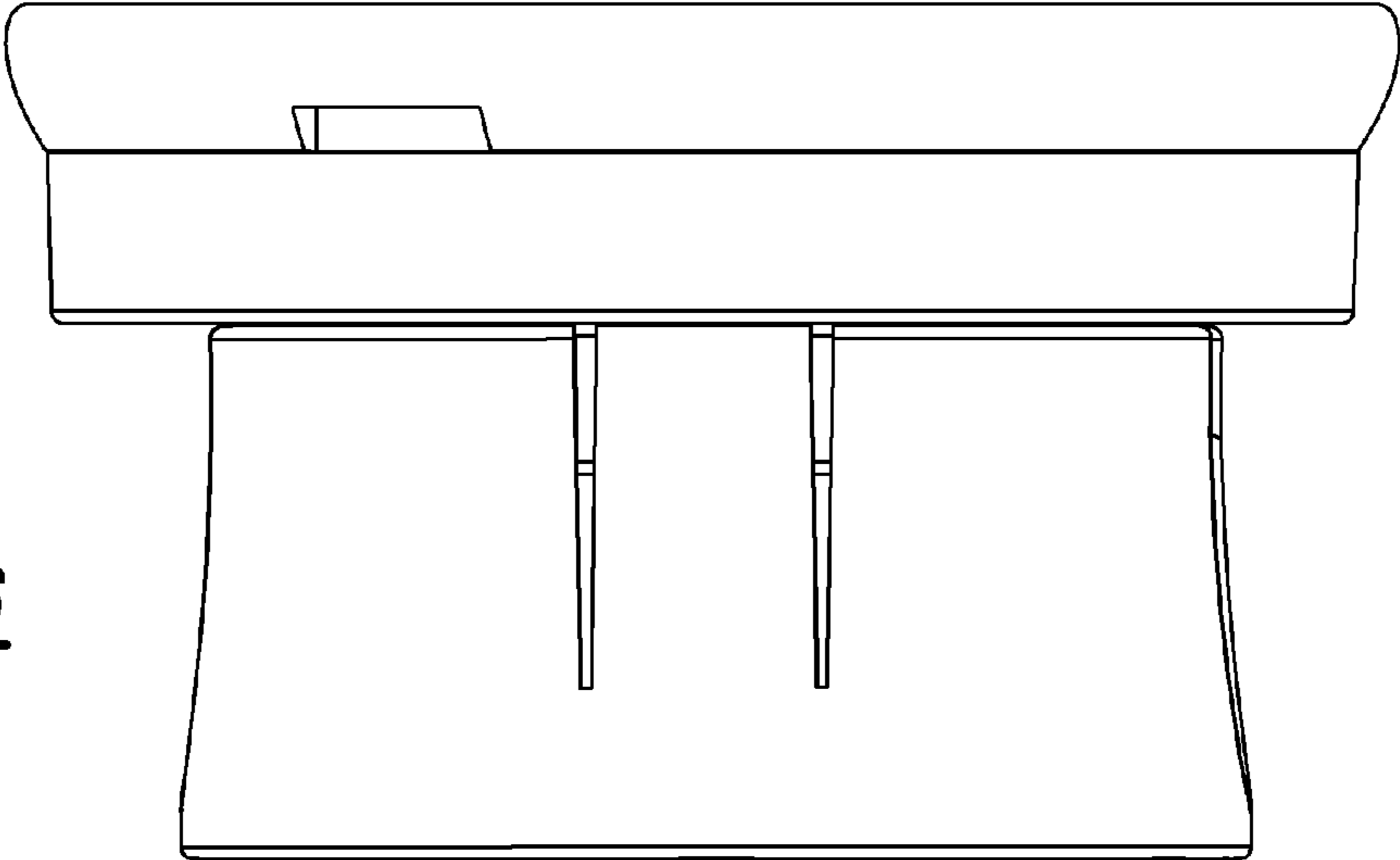


FIG - 6

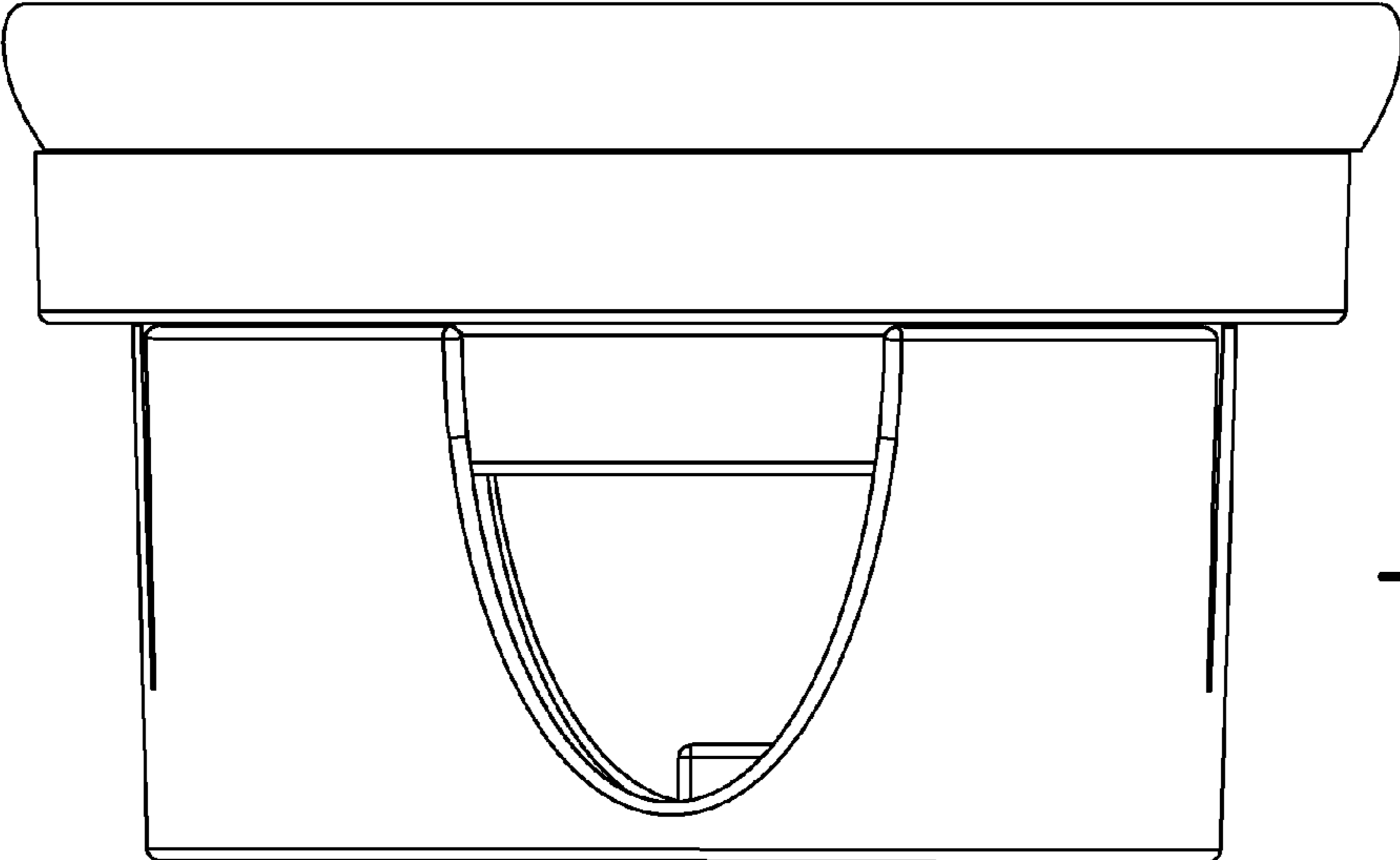


FIG - 7

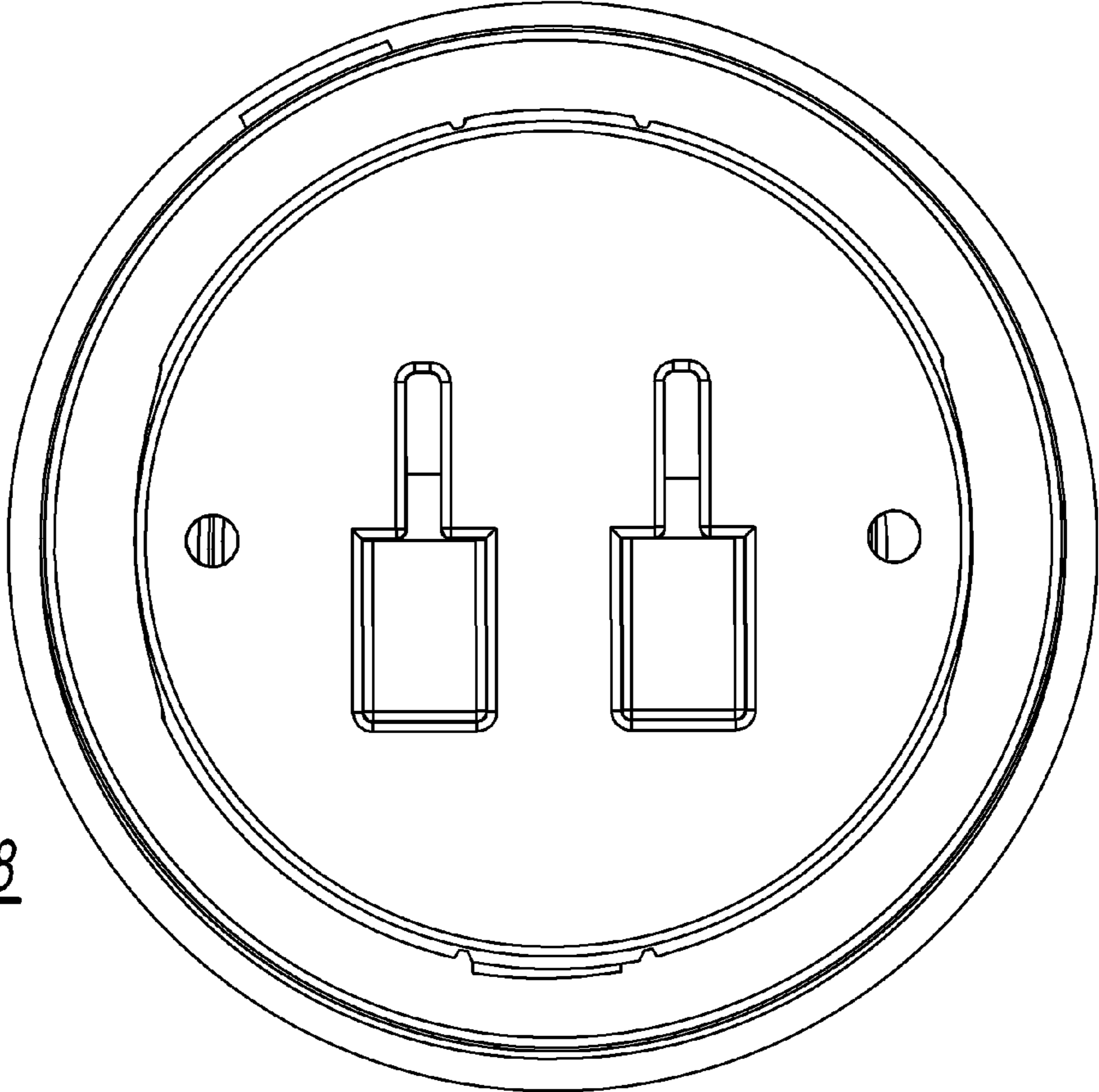


FIG - 8