



US00D718200S

(12) **United States Design Patent**
Arnaout et al.

(10) **Patent No.:** **US D718,200 S**
(45) **Date of Patent:** **** Nov. 25, 2014**

(54) **VEHICLE INTERIOR**

(75) Inventors: **Nadya Arnaout**, San Pedro, CA (US);
Alexander Klatt, Irvine, CA (US);
Ricardo Garcia, Huntington Beach, CA
(US); **Troy Trinh**, Rosemead, CA (US)

(73) Assignee: **Fisker Automotive and Technology
Group LLC**, Costa Mesa, CA (US)

(**) Term: **14 Years**

(21) Appl. No.: **29/417,361**

(22) Filed: **Apr. 2, 2012**

(51) **LOC (10) Cl.** **12-16**

(52) **U.S. Cl.**
USPC **D12/192**

(58) **Field of Classification Search**
USPC D12/195, 193, 414, 190, 196, 192;
180/190; 280/750-752;
296/190.01-191, 70, 193.08, 145, 153,
296/37.1-37.13, 149, 146.1; D15/17, 28;
D10/46, 98, 102-103; 49/501-502;
D8/302-303

See application file for complete search history.

(56) **References Cited**

U.S. PATENT DOCUMENTS

5,996,866	A	*	12/1999	Susko et al.	224/281
D499,998	S	*	12/2004	Tanaka et al.	D12/192
D501,811	S	*	2/2005	Fukuda et al.	D12/192
D512,357	S	*	12/2005	Schuttera	D12/192
D532,730	S	*	11/2006	Kohara et al.	D12/192

D539,714	S	*	4/2007	Toyama et al.	D12/192
D554,033	S	*	10/2007	Hill et al.	D12/195
D560,150	S	*	1/2008	Honma et al.	D12/192
D569,317	S	*	5/2008	Schowalter	D12/192
D571,272	S	*	6/2008	Esaki et al.	D12/192
D577,642	S	*	9/2008	Kitajima et al.	D12/192
D577,644	S	*	9/2008	Wyszogrod et al.	D12/195
D586,714	S	*	2/2009	Woodard et al.	D12/192
D602,833	S	*	10/2009	Corradi	D12/195
D622,195	S	*	8/2010	Lester	D12/192
D637,540	S	*	5/2011	Ali et al.	D12/192
D658,554	S	*	5/2012	Tasaki et al.	D12/192
D676,365	S	*	2/2013	Chang et al.	D12/195
D704,610	S	*	5/2014	Mizuhata et al.	D12/192
2012/0139283	A1	*	6/2012	Ono et al.	296/70
2012/0256440	A1	*	10/2012	Johannboeke et al.	296/39.3
2013/0300144	A1	*	11/2013	Rose	296/24.34

* cited by examiner

Primary Examiner — Katrina A Betton

(74) *Attorney, Agent, or Firm* — Duane Morris LLP

(57) **CLAIM**

The ornamental design for a vehicle interior, as shown and described.

DESCRIPTION

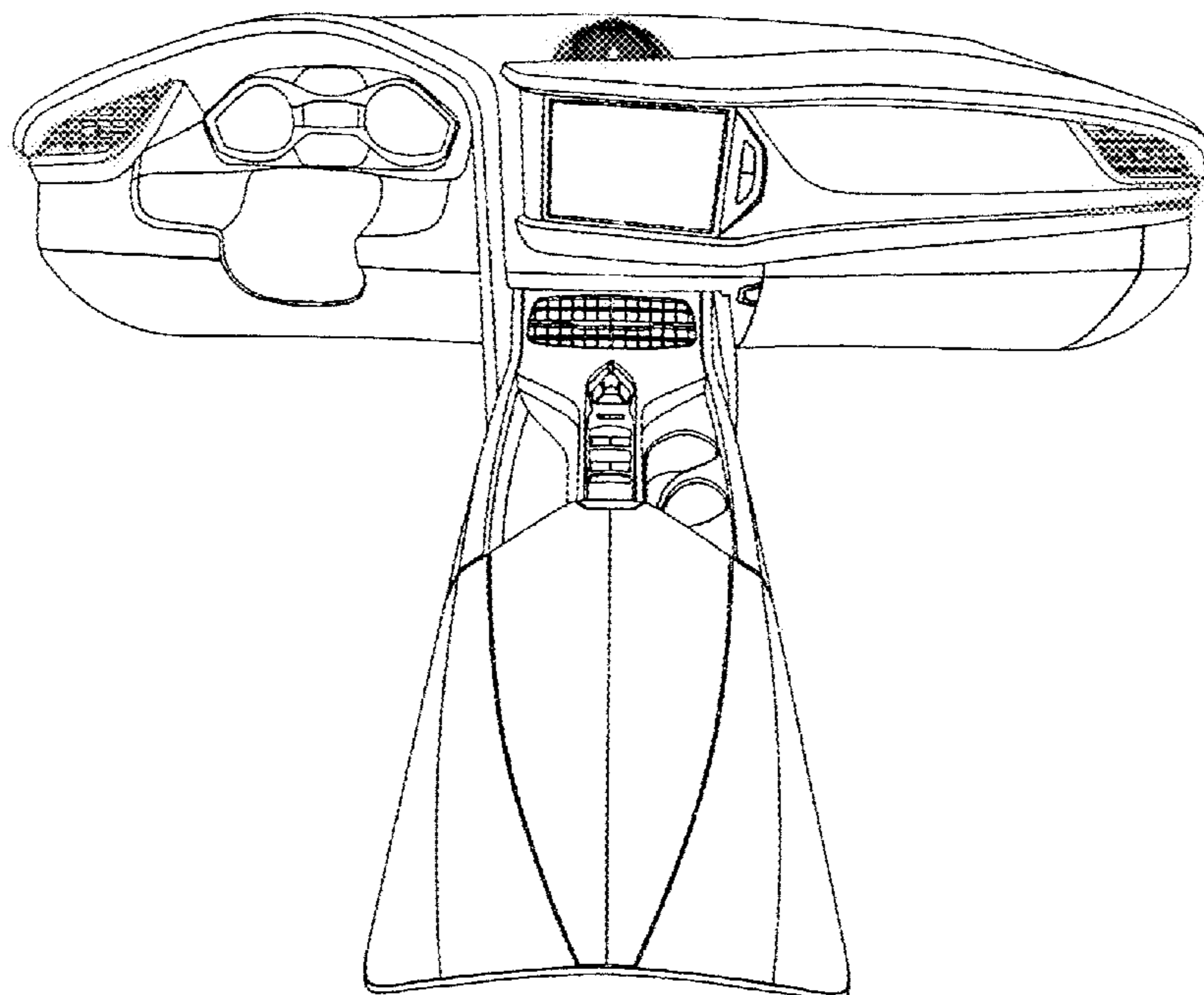
FIG. 1 is a front and right side perspective view of vehicle interior in accordance with the claimed design.

FIG. 2 is a front view of a vehicle interior in accordance with the claimed design; and,

FIG. 3 is a top view of a vehicle interior in accordance with the claimed design.

The broken lines in the figures show portions of a vehicle interior that form no part of the claimed design.

1 Claim, 3 Drawing Sheets



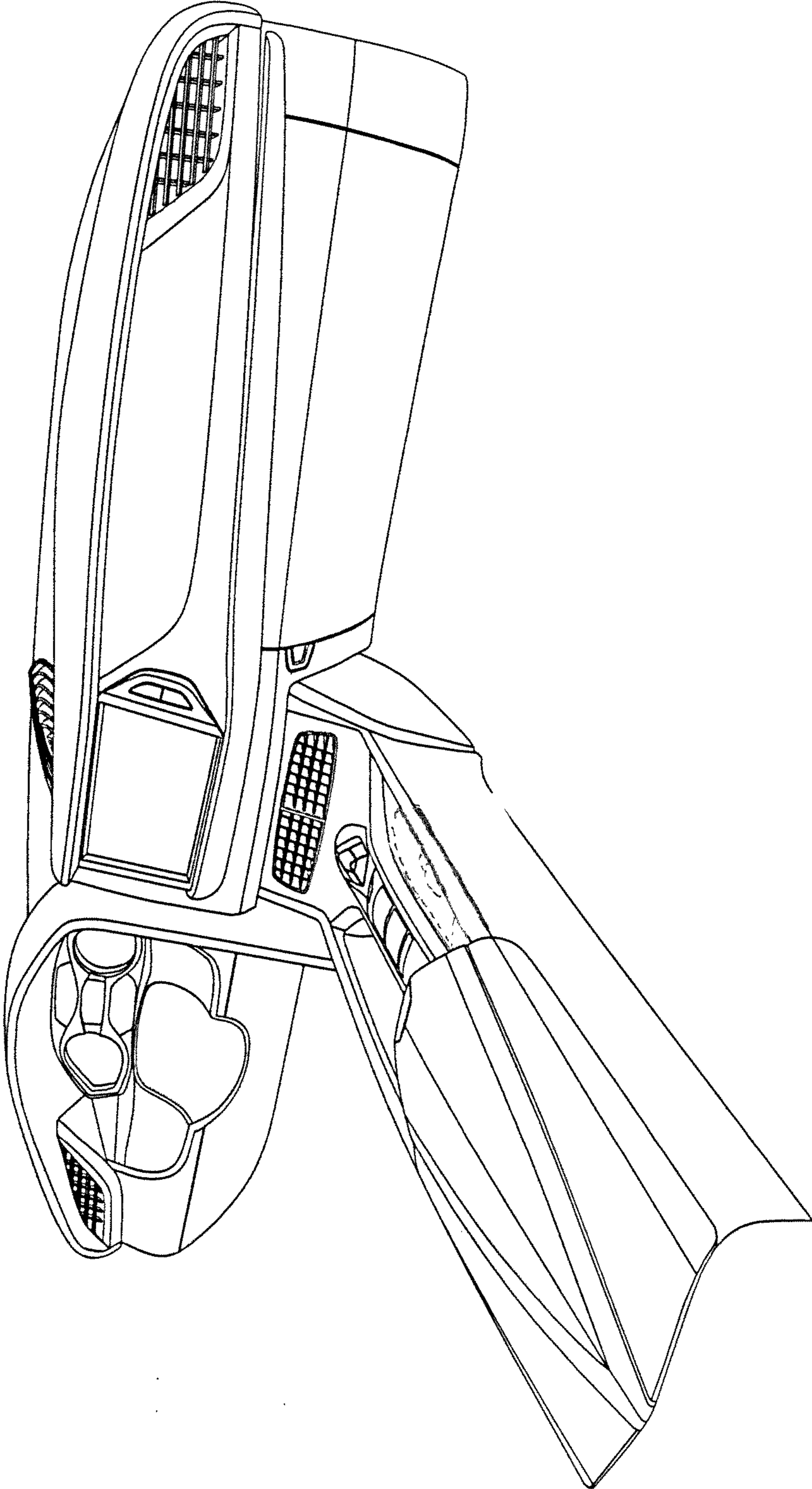


FIG. 1

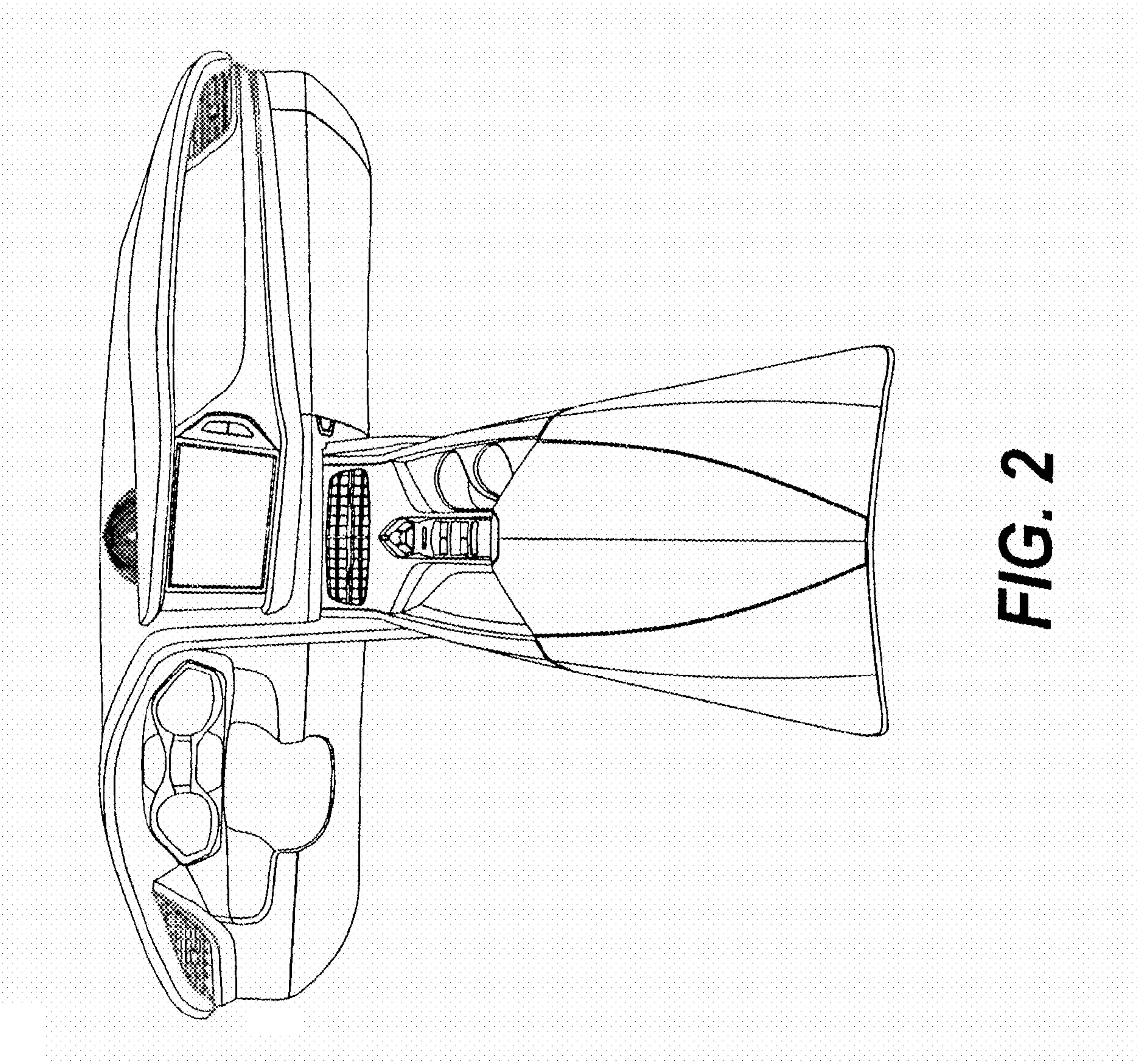


FIG. 2

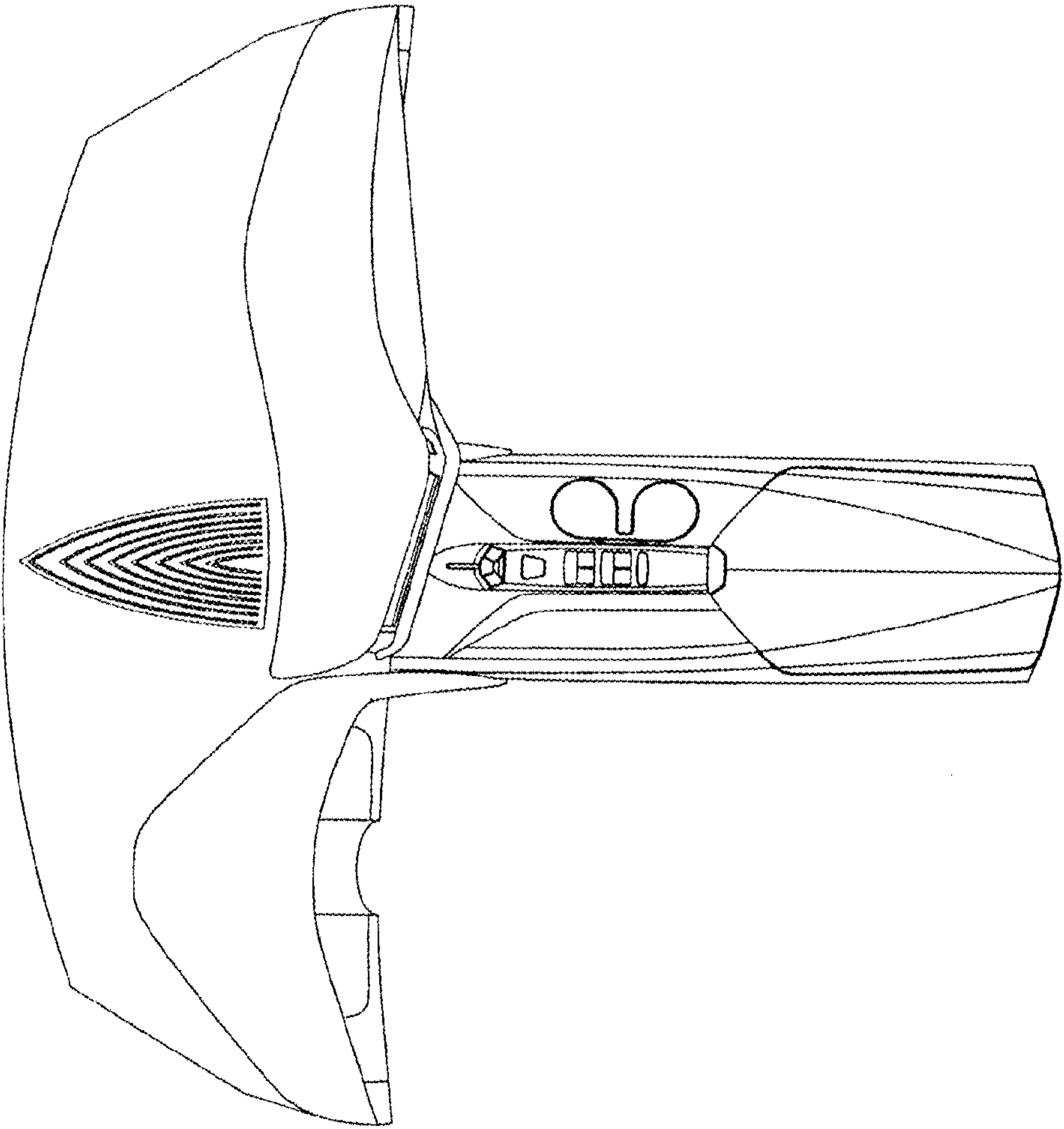


FIG. 3