



US00D718197S

(12) **United States Design Patent**  
**Chen**

(10) **Patent No.:** **US D718,197 S**

(45) **Date of Patent:** **\*\* Nov. 25, 2014**

(54) **VEHICLE SIDE VIEW MIRROR**

(71) Applicant: **Cheng-Chung Chen**, Tainan (TW)

(72) Inventor: **Cheng-Chung Chen**, Tainan (TW)

(\*\*) Term: **14 Years**

(21) Appl. No.: **29/489,007**

(22) Filed: **Apr. 25, 2014**

(51) **LOC (10) Cl.** ..... **12-16**

(52) **U.S. Cl.**  
USPC ..... **D12/187**

(58) **Field of Classification Search**  
USPC ..... D12/187, 188–189; D6/300, 309;  
359/838, 844, 868, 871, 604, 881, 514,  
359/866; 248/479–483, 475.1  
See application file for complete search history.

(56) **References Cited**

**U.S. PATENT DOCUMENTS**

D620,408 S \* 7/2010 Elliott et al. .... D12/187  
D621,313 S \* 8/2010 Kimura et al. .... D12/187

D691,934 S \* 10/2013 Zhao ..... D12/187  
D703,120 S \* 4/2014 Nordmann ..... D12/187  
D708,560 S \* 7/2014 George et al. .... D12/187  
2009/0268321 A1 \* 10/2009 Wilson ..... 359/868  
2010/0195228 A1 \* 8/2010 Sinelli et al. .... 359/866

\* cited by examiner

*Primary Examiner* — Katrina A Betton

(74) *Attorney, Agent, or Firm* — Rosenberg, Klein & Lee

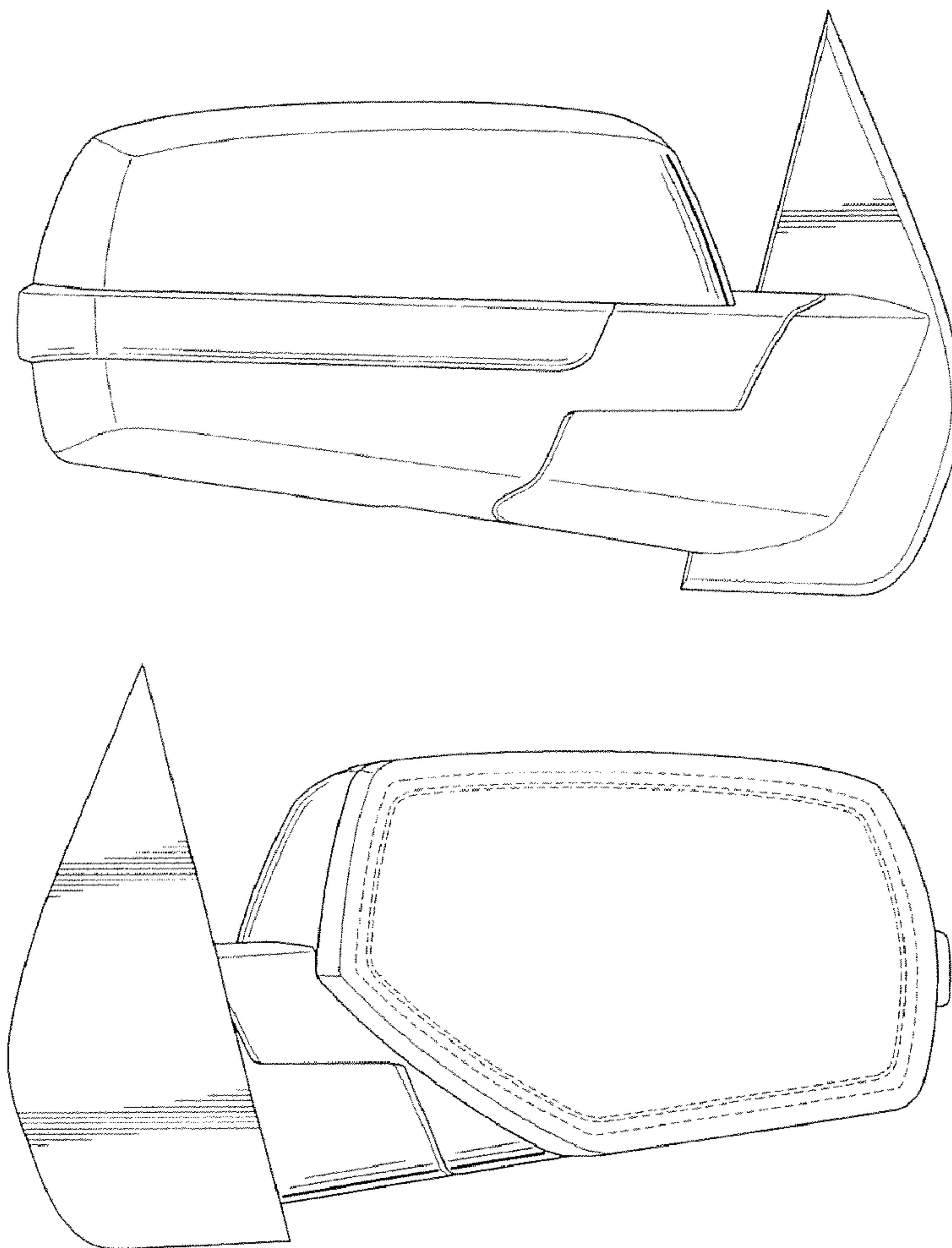
(57) **CLAIM**

The ornamental design for a vehicle side view mirror, as shown and described.

**DESCRIPTION**

FIG. 1 is a perspective view of a vehicle side view mirror showing my new design;  
FIG. 2 is a front elevational view thereof;  
FIG. 3 is a rear elevational view thereof;  
FIG. 4 is a left side elevational view thereof;  
FIG. 5 is a right side elevational view thereof;  
FIG. 6 is a top plan view thereof; and,  
FIG. 7 is a bottom plan view thereof.

**1 Claim, 7 Drawing Sheets**



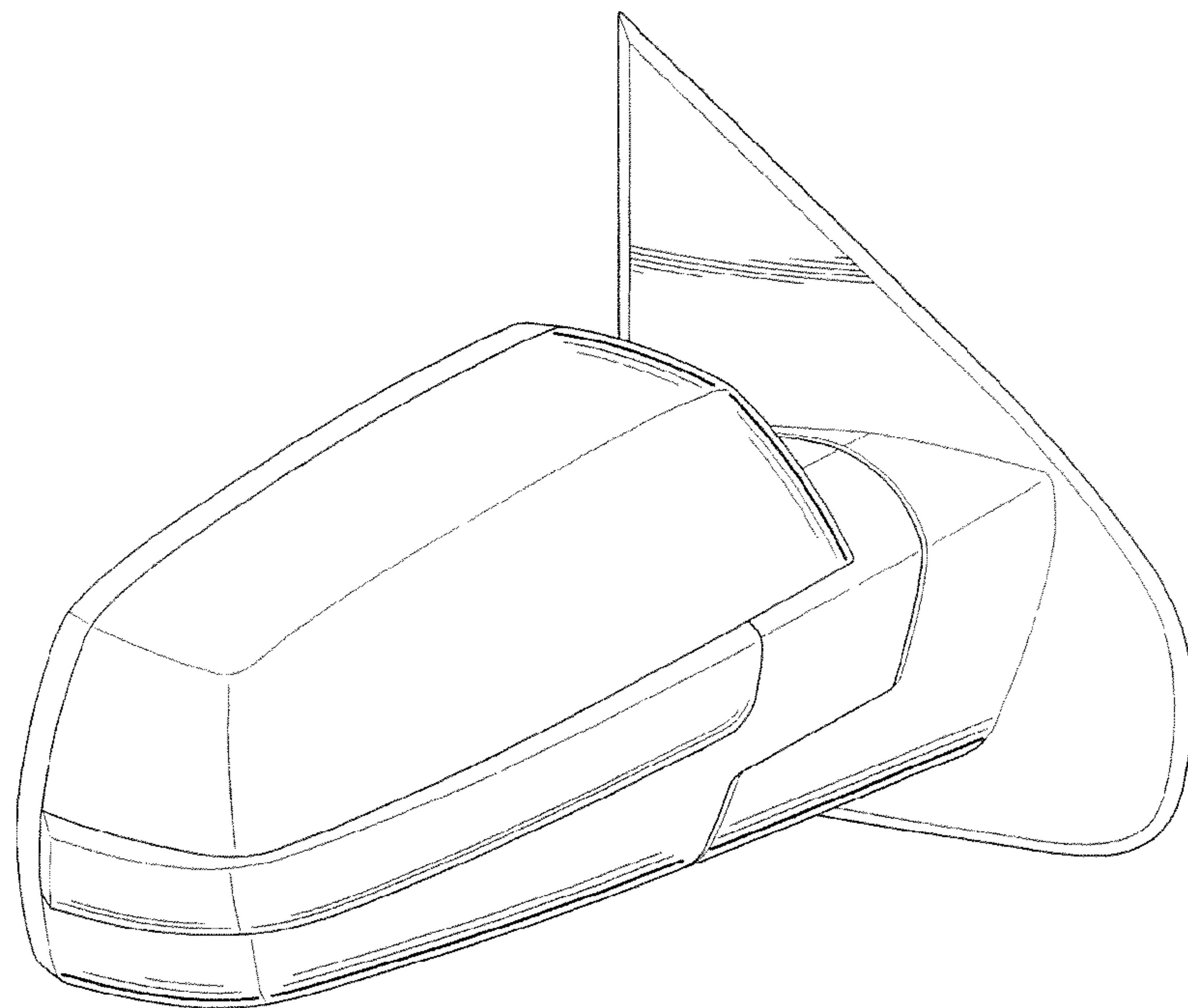


FIG. 1

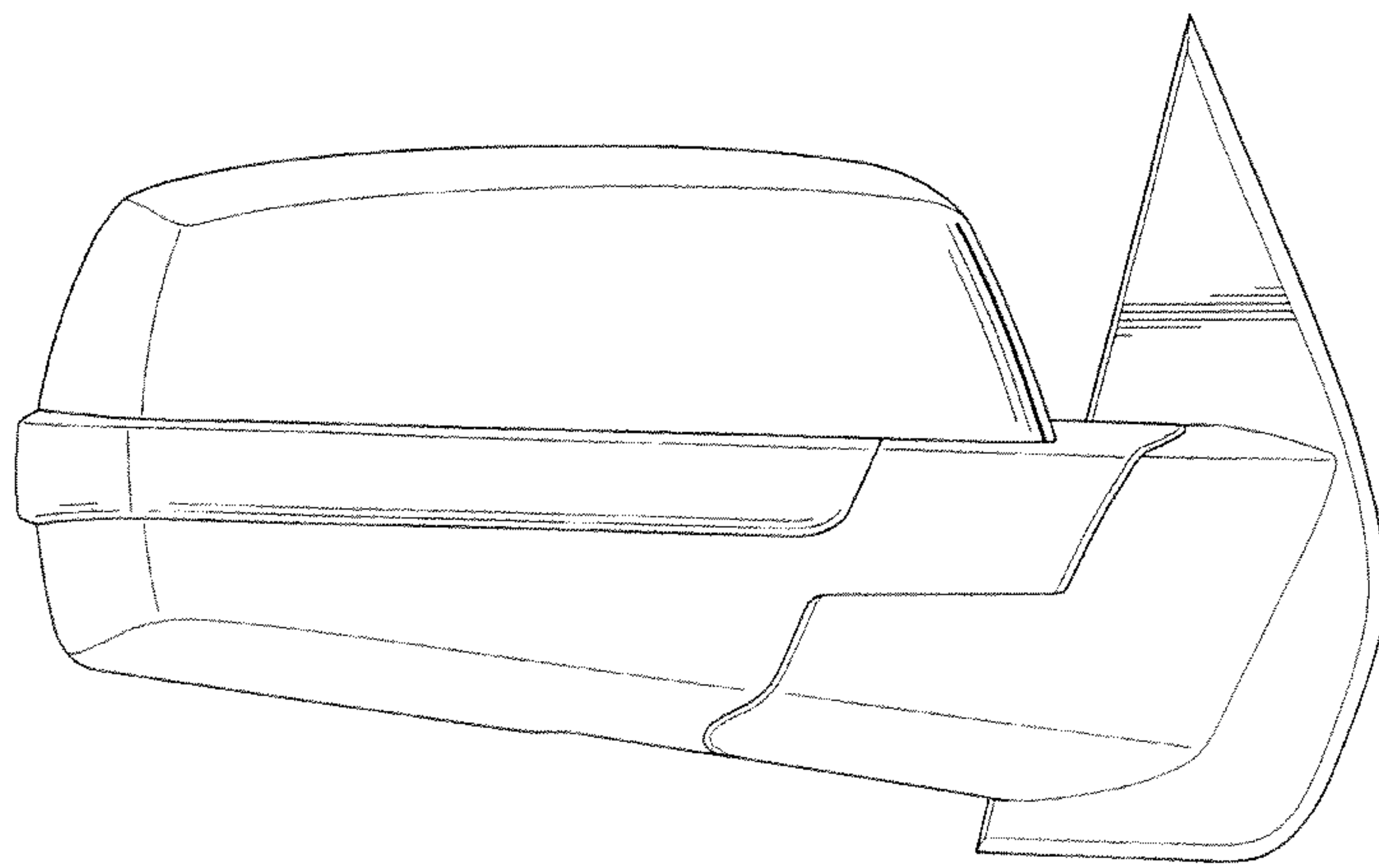


FIG. 2

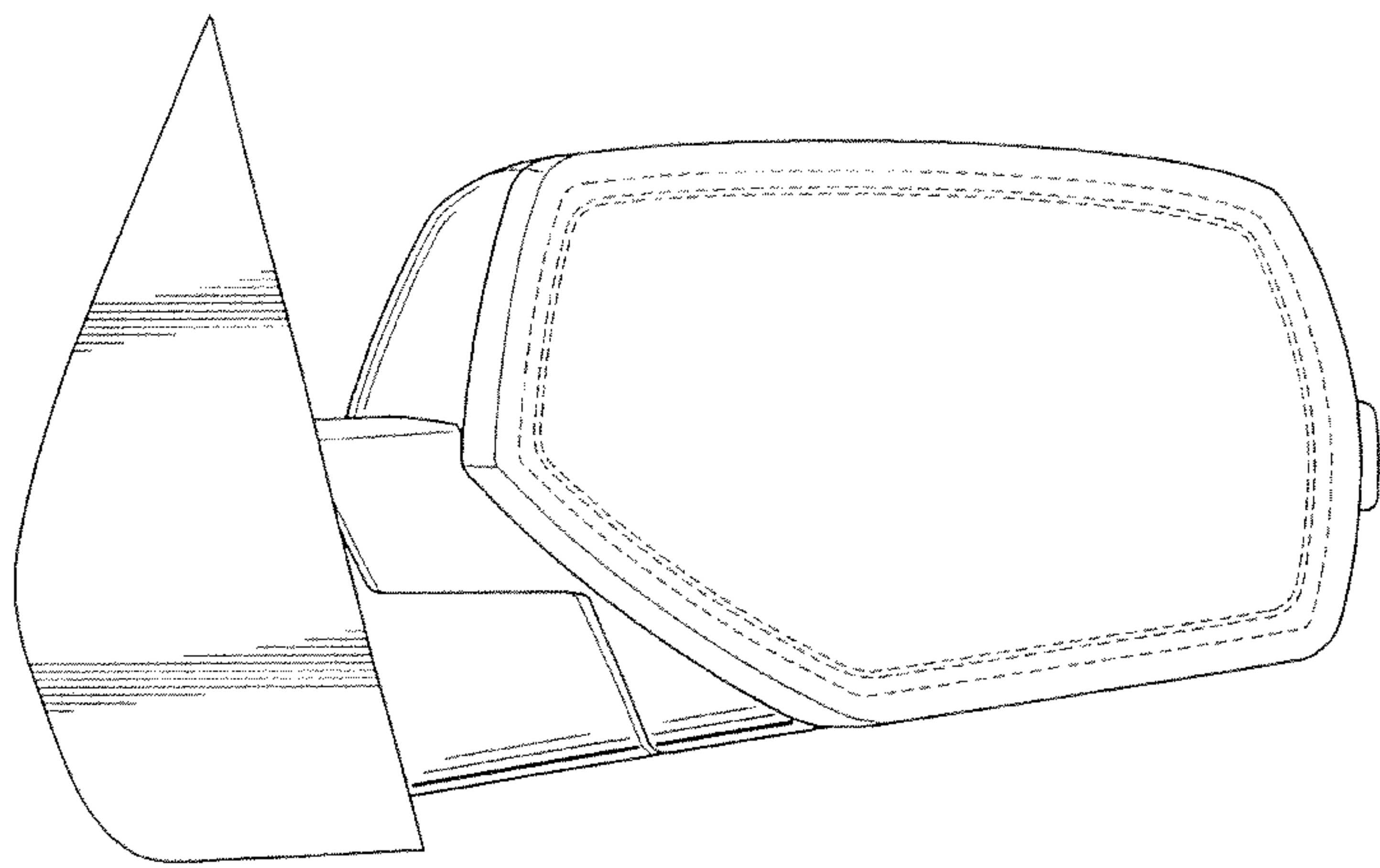


FIG. 3

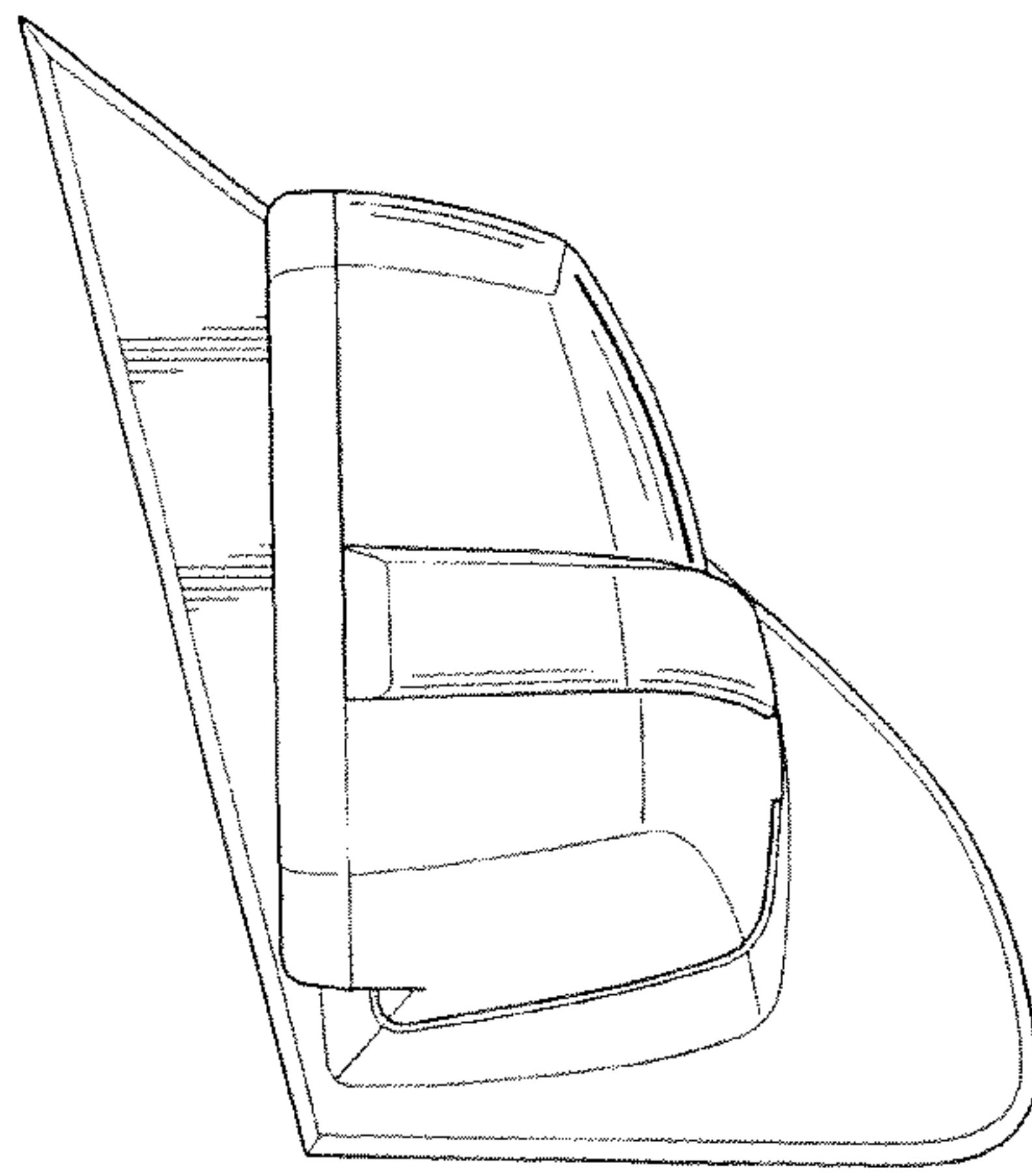


FIG. 4

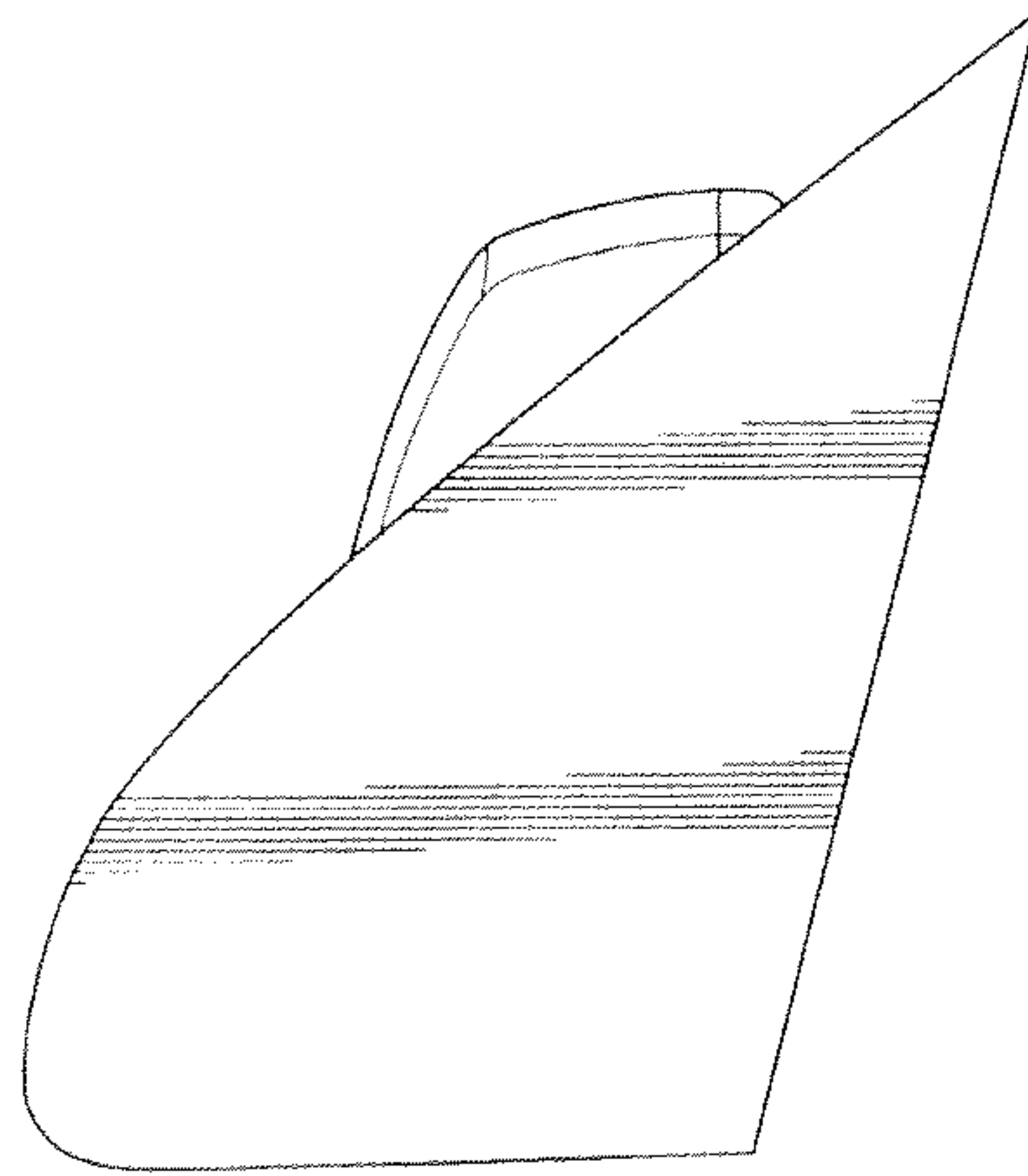


FIG. 5

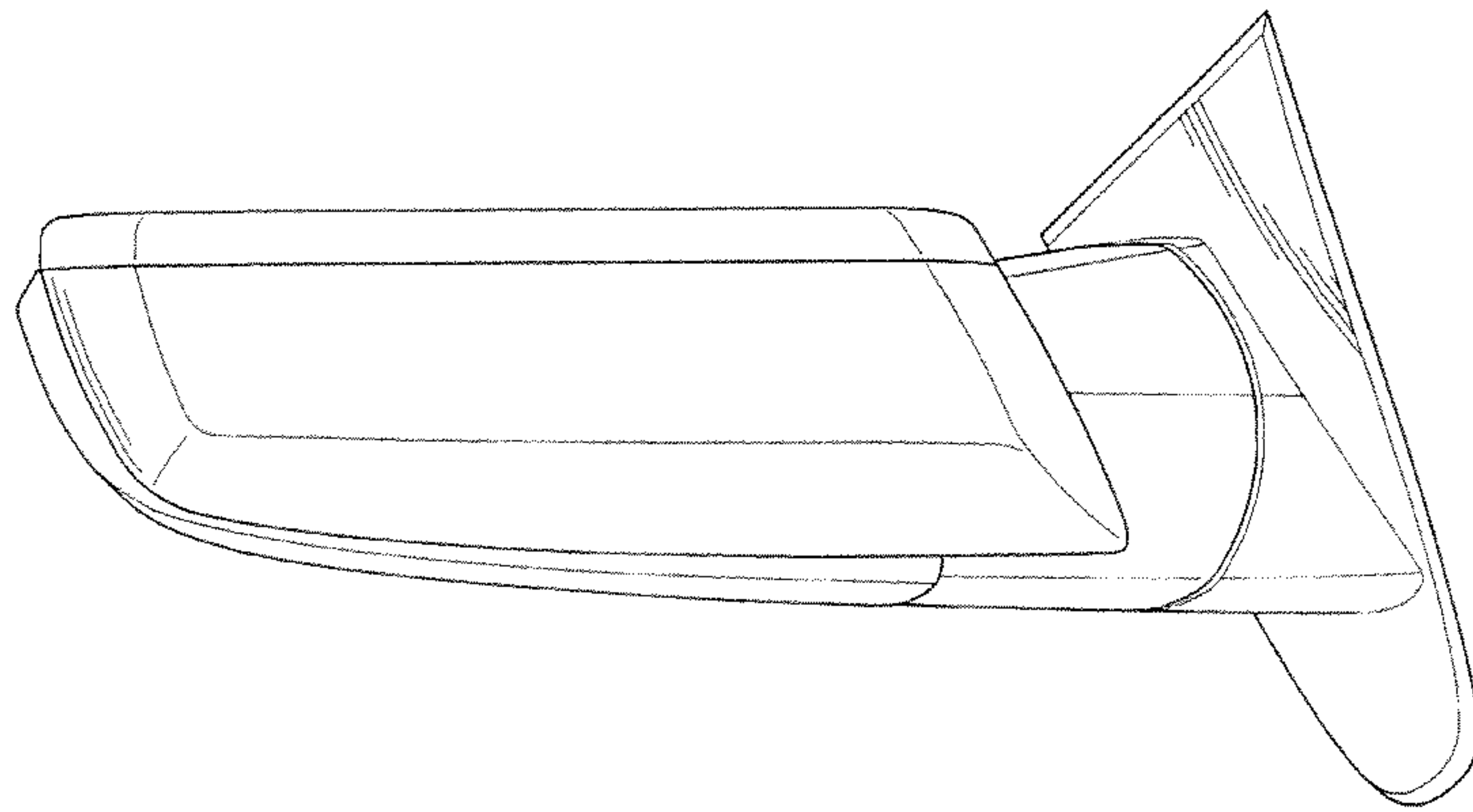


FIG. 6

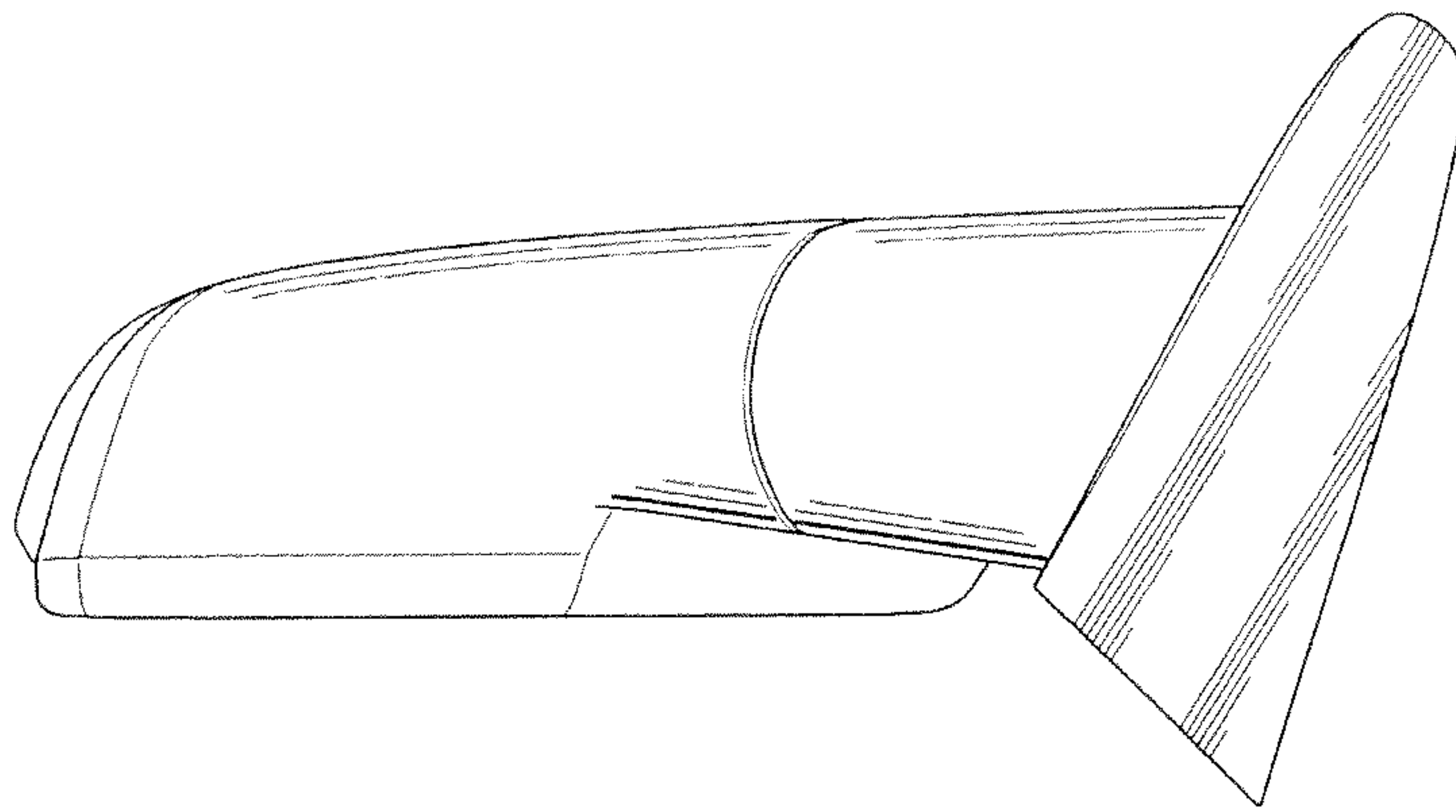


FIG. 7