



US00D718196S

(12) **United States Design Patent**  
**Wang et al.**

(10) **Patent No.:** **US D718,196 S**  
(45) **Date of Patent:** **\*\* Nov. 25, 2014**

(54) **RADIATOR GRILL FOR AUTOMOBILE**

- (71) Applicant: **Nissan Motor Co., Ltd.**, Yokohama, Kanagawa (JP)
- (72) Inventors: **Seonwook Wang**, Kanagawa (JP); **Yoshihiro Okada**, Kanagawa (JP); **Joel Baek**, San Diego, CA (US)
- (73) Assignee: **Nissan Motor Co., Ltd.**, Yokohama (JP)
- (\*\*) Term: **14 Years**
- (21) Appl. No.: **29/451,122**
- (22) Filed: **Mar. 28, 2013**

(30) **Foreign Application Priority Data**

Sep. 28, 2012 (JP) ..... 2012-023849

(51) **LOC (10) Cl.** ..... **12-16**

(52) **U.S. Cl.**  
USPC ..... **D12/171**

(58) **Field of Classification Search**  
CPC B60R 19/52; B60R 2019/525; B60K 11/085; B62D 25/084; H01Q 1/32  
USPC ..... D12/86, 90, 91, 92, 163, 169, 196, 171, D12/216; 180/68.1, 68.6; 296/193.11  
See application file for complete search history.

(56) **References Cited**

**U.S. PATENT DOCUMENTS**

5,487,575 A \* 1/1996 Chase ..... 293/115  
6,328,358 B1 \* 12/2001 Berweiler ..... 293/115

(Continued)

**FOREIGN PATENT DOCUMENTS**

DE 10053517 A1 \* 5/2002 ..... B60R 19/52  
DE 202006002070 U1 \* 7/2006 ..... B60R 19/00  
JP 2010241216 A \* 10/2010 ..... B60R 19/52

**OTHER PUBLICATIONS**

The All-New 2013 Infiniti JX—Choose To Be Inspired. Electronic Brochure. PDF Document dated Nov. 4, 2011 [online], [retrieved on Jun. 26, 2013]. Retrieved from the Internet <URL: [http://www.auto-brochures.com/makes/Infiniti/JX/Infiniti\\_US%20JX\\_2013.pdf](http://www.auto-brochures.com/makes/Infiniti/JX/Infiniti_US%20JX_2013.pdf)>.\*

(Continued)

*Primary Examiner* — Philip S Hyder

*Assistant Examiner* — Darlington Ly

(74) *Attorney, Agent, or Firm* — Global IP Counselors, LLP

(57) **CLAIM**

The ornamental design for a radiator grill for an automobile, as shown and described.

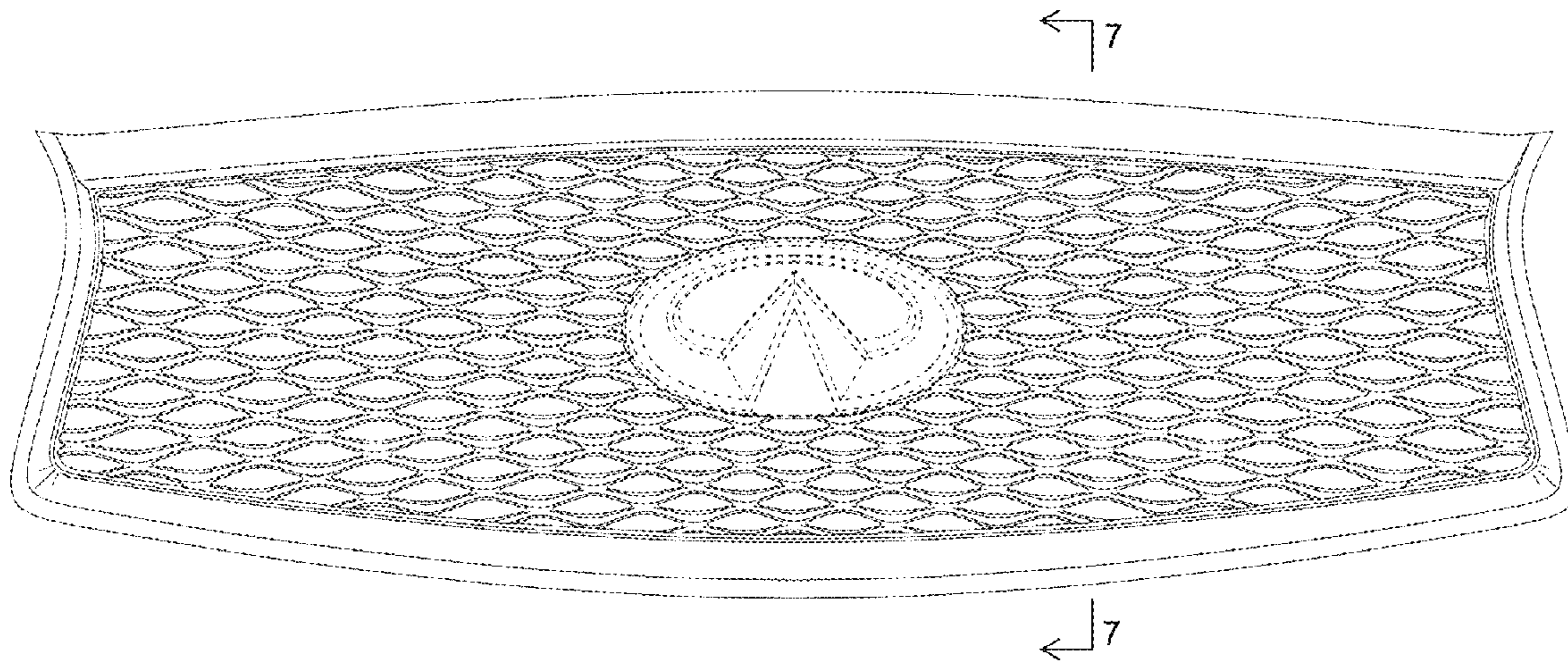
**DESCRIPTION**

FIG. 1 is a front elevational view of a radiator grill for an automobile in accordance with our new design;  
FIG. 2 is a top plan view of the radiator grill in accordance with our new design of FIG. 1;  
FIG. 3 is a bottom plan view of the radiator grill in accordance with our new design of FIGS. 1 and 2;  
FIG. 4 is a left side elevational view of the radiator grill in accordance with our new design of FIGS. 1 to 3;  
FIG. 5 is a right side elevational view of the radiator grill in accordance with our new design of FIGS. 1 to 4;  
FIG. 6 is a front-right side perspective view of the radiator grill in accordance with our new design of FIGS. 1 to 5; and,  
FIG. 7 is a cross-sectional view of the radiator grill in accordance with our new design of FIGS. 1 to 6 as taken along a section line 7-7 in FIG. 1.

The broken line showing of the radiator grill is for purpose of illustrating environmental structure and forms no part of the claimed design. The rear view of the radiator grill forms no part of the claimed design.

The cross sectional view of FIG. 7 is provided to clarify the exact contour or configuration of the exterior surface of the radiator grill, and no attempt is made to illustrate features of internal construction.

**1 Claim, 7 Drawing Sheets**



(56)

References Cited

OTHER PUBLICATIONS

U.S. PATENT DOCUMENTS

D498,186	S *	11/2004	Iwai .....	D12/163
D565,479	S *	4/2008	Iida et al. ....	D12/163
D575,204	S *	8/2008	Nakajima .....	D12/163
D626,464	S *	11/2010	Yanase et al. ....	D12/163
D629,339	S *	12/2010	Choi et al. ....	D12/163
D631,405	S *	1/2011	Kuze .....	D12/163
D667,762	S *	9/2012	Yanase .....	D12/163
D675,134	S *	1/2013	Yamamoto et al. ....	D12/163
D682,164	S *	5/2013	Fuchigami .....	D12/163
2011/0005851	A1 *	1/2011	Doroghazi et al. ....	180/68.1
2013/0107046	A1 *	5/2013	Forgue .....	293/115

Infiniti G Convertible—Free Your Senses. Transform Your World.  
Electronic Brochure. PDF Document dated Sep. 28, 2011 [online],  
[retrieved on Jun. 26, 2013]. Retrieved from the Internet <URL:  
[http://www.auto-brochures.com/makes/Infiniti/G/Infiniti\\_  
US%20G\\_Convertible\\_2012.pdf](http://www.auto-brochures.com/makes/Infiniti/G/Infiniti_US%20G_Convertible_2012.pdf)>.\*

\* cited by examiner



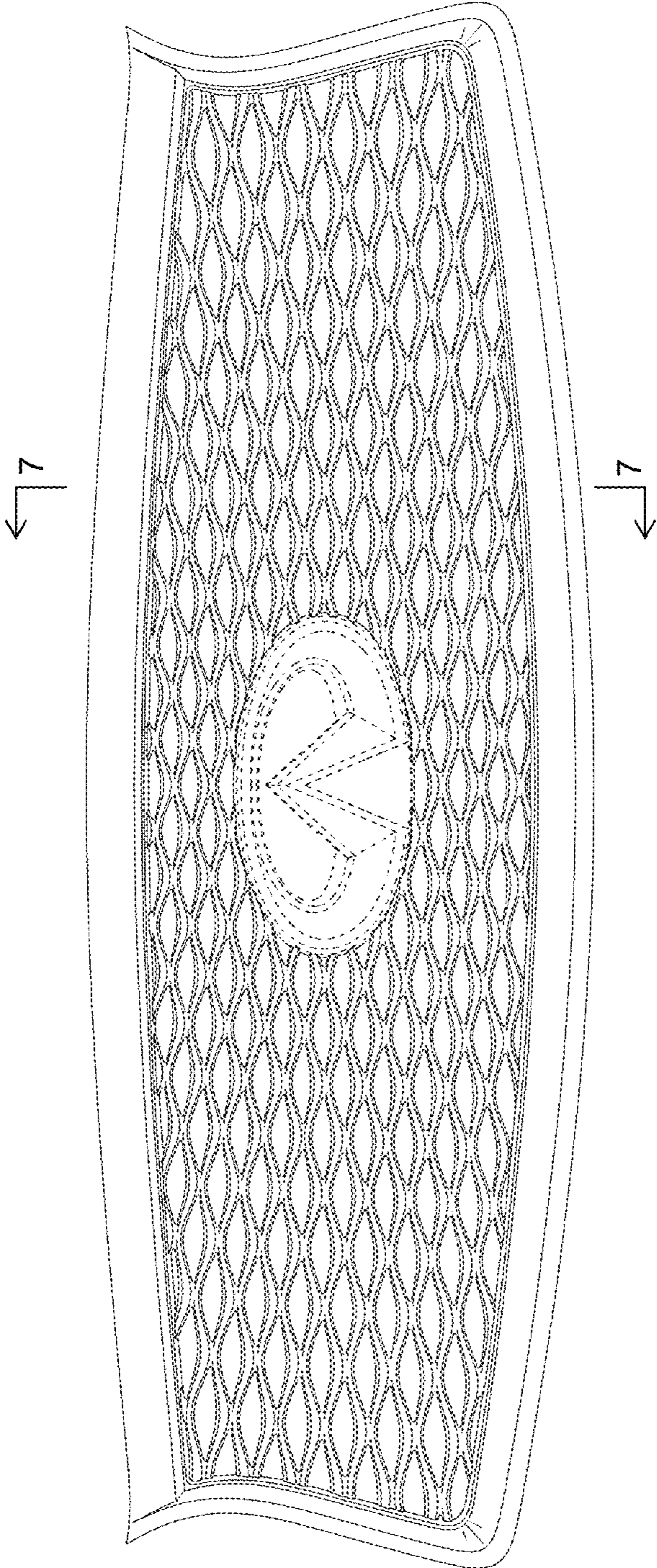


FIG. 1

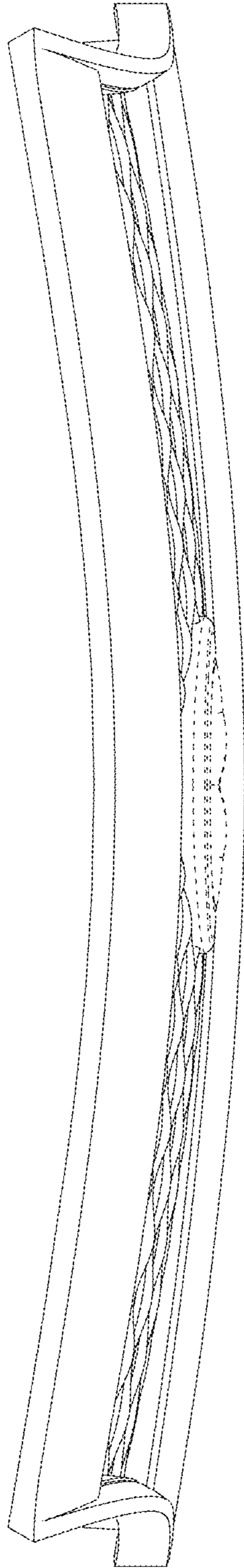


FIG. 2

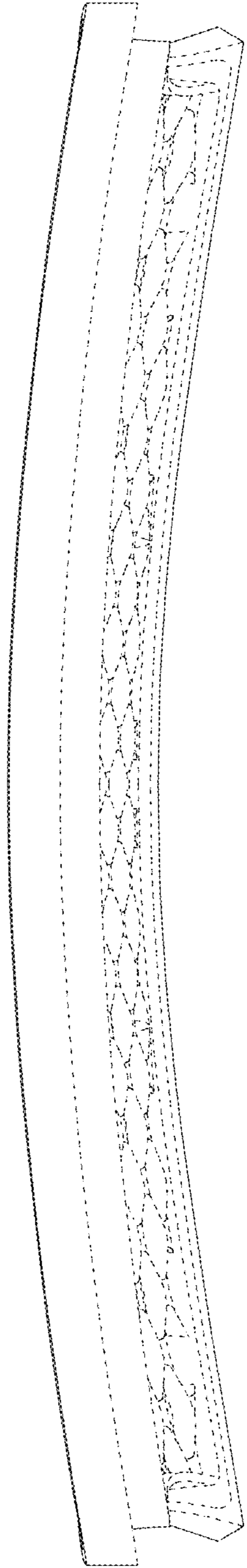


FIG. 3

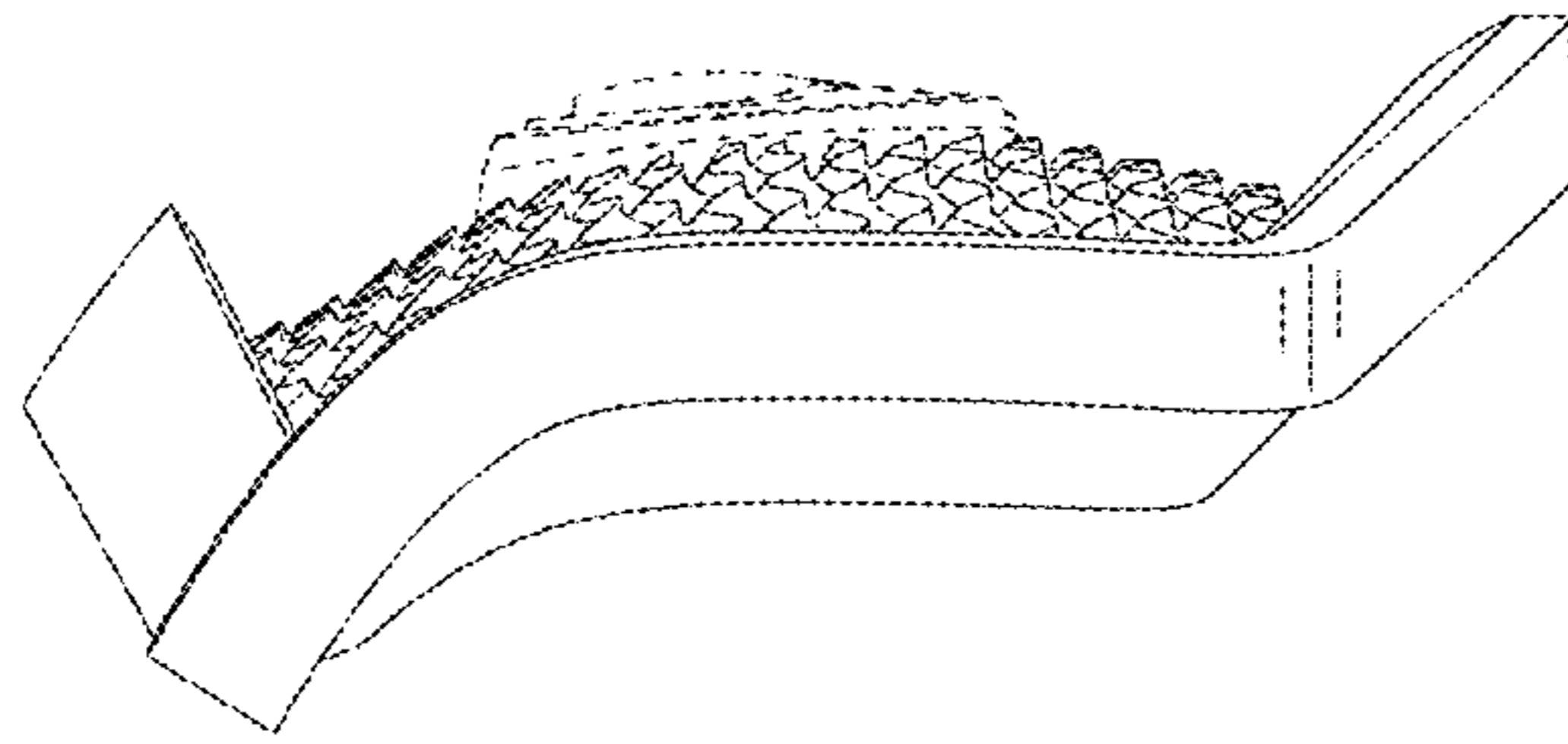


FIG. 4

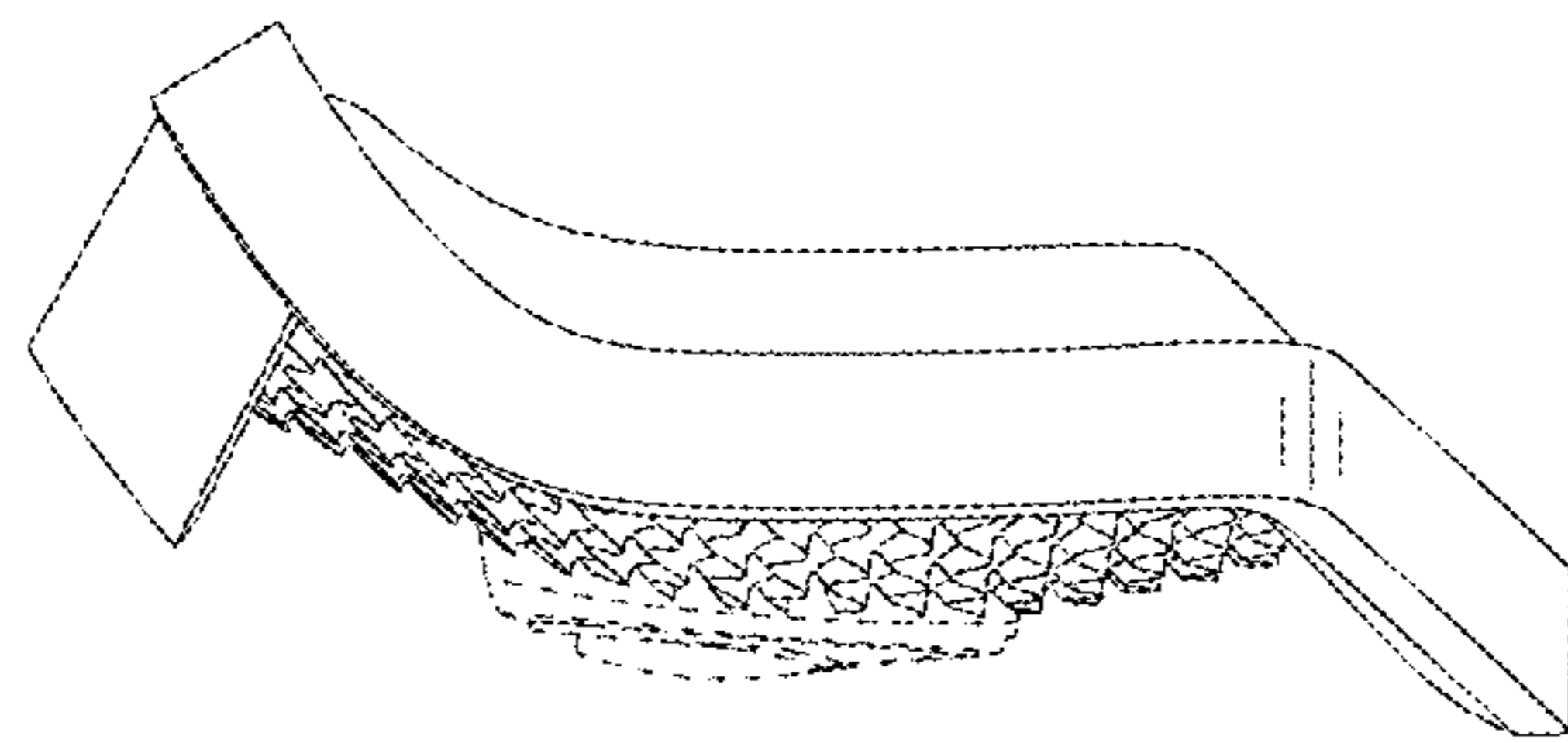


FIG. 5



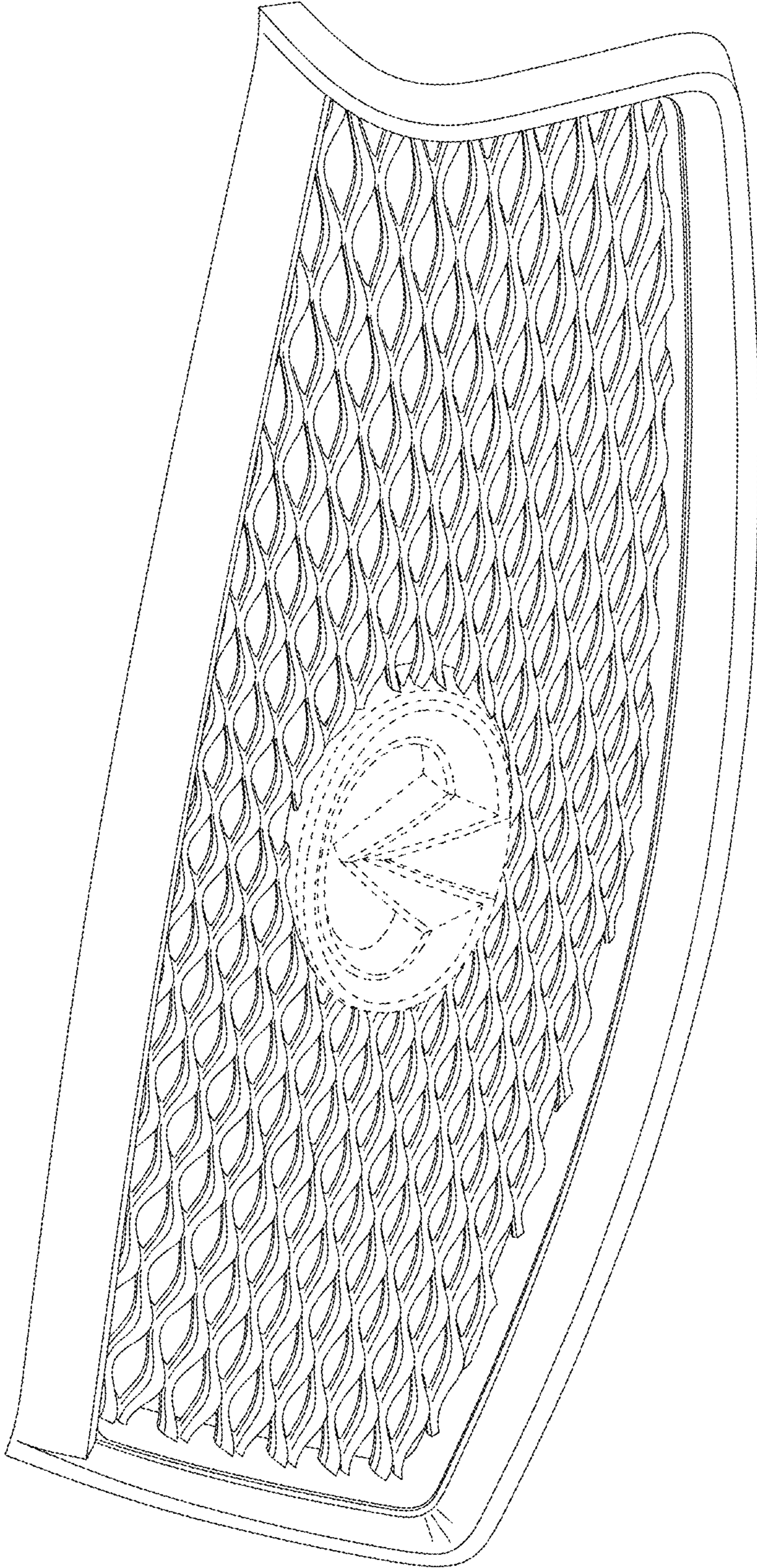


FIG. 6





FIG. 7