



US00D718193S

(12) **United States Design Patent**
Diorio

(10) **Patent No.:** **US D718,193 S**
(45) **Date of Patent:** **** Nov. 25, 2014**

(54) **BICYCLE STAND**

- (71) Applicant: **Scorpion Bike Stands, LLC**, Dana Point, CA (US)
- (72) Inventor: **Mike Diorio**, Winchester, CA (US)
- (73) Assignee: **Scorpion Bike Stands, LLC**, Dana Point, CA (US)

(**) Term: **14 Years**

(21) Appl. No.: **29/484,197**

(22) Filed: **Mar. 6, 2014**

(51) **LOC (10) Cl.** **12-11**

(52) **U.S. Cl.**
USPC **D12/120**; D12/115

(58) **Field of Classification Search**
CPC B62H 3/00; B62H 3/10; B62D 43/02;
B60R 9/06; F16M 13/00
USPC D12/115, 120; 211/5, 17-22; 280/293;
224/42.11, 42.12, 42.13, 42.26, 309,
224/324, 325, 533, 545, 924; 248/176.1,
248/309.1

See application file for complete search history.

(56) **References Cited**

U.S. PATENT DOCUMENTS

D268,488	S	*	4/1983	Arnott et al.	D12/115
4,979,759	A	*	12/1990	Solovay	280/293
5,385,246	A	*	1/1995	Grossnickle	211/22
D372,691	S	*	8/1996	Eason	D12/115
6,257,419	B1	*	7/2001	Kamysiak	211/22
D456,316	S	*	4/2002	Will	D12/115
D548,144	S	*	8/2007	Swinson, III	D12/120
D554,025	S	*	10/2007	Van Valkenburgh	D12/115
D585,793	S	*	2/2009	Skalka	D12/115
D602,403	S	*	10/2009	Shaha et al.	D12/115
D604,206	S	*	11/2009	Selzer et al.	D12/115
2004/0216776	A1	*	11/2004	Otis	135/85
2011/0275488	A1	*	11/2011	Hamilton	482/61

OTHER PUBLICATIONS

Nicole P. "A quick and easy solution to some of those bike repairs." London Cyclist., Jan. 18, 2011 [online], [retrieved on Sep. 21, 2014]. Retrieved from the Internet <URL: <http://www.londoncyclist.co.uk/a-quick-and-easy-solution-to-some-of-those-bike-repairs/>>.*

MtbrVideos. "MTBR Scorpion Bike Stand Review." YouTube., Jun. 26, 2014 [online], [retrieved on Sep. 21, 2014]. Retrieved from the Internet <URL: <http://www.youtube.com/watch?v=jLW2WB5YC7Y>>.*

Saris Mercanti. "SOC14: Scorpion Builds Moto Style Stands for Bicycles." Bike Rumor., Apr. 18, 2014 [online], [retrieved on Sep. 21, 2014]. Retrieved from the Internet <URL: <http://www.bikerumor.com/2014/04/18/soc14-scorpion-builds-moto-style-stands-for-bicycles/>>.*

* cited by examiner

Primary Examiner — Philip S Hyder
Assistant Examiner — Darlington Ly
 (74) *Attorney, Agent, or Firm* — Eric Karich

(57) **CLAIM**

The ornamental design for a "bicycle stand," as shown and described.

DESCRIPTION

FIG. 1 is a perspective view of a bicycle stand, showing my new design;

FIG. 2 is a rear elevational view thereof;

FIG. 3 is a front elevational view thereof;

FIG. 4 is a left side elevational view thereof;

FIG. 5 is a right side elevational view thereof;

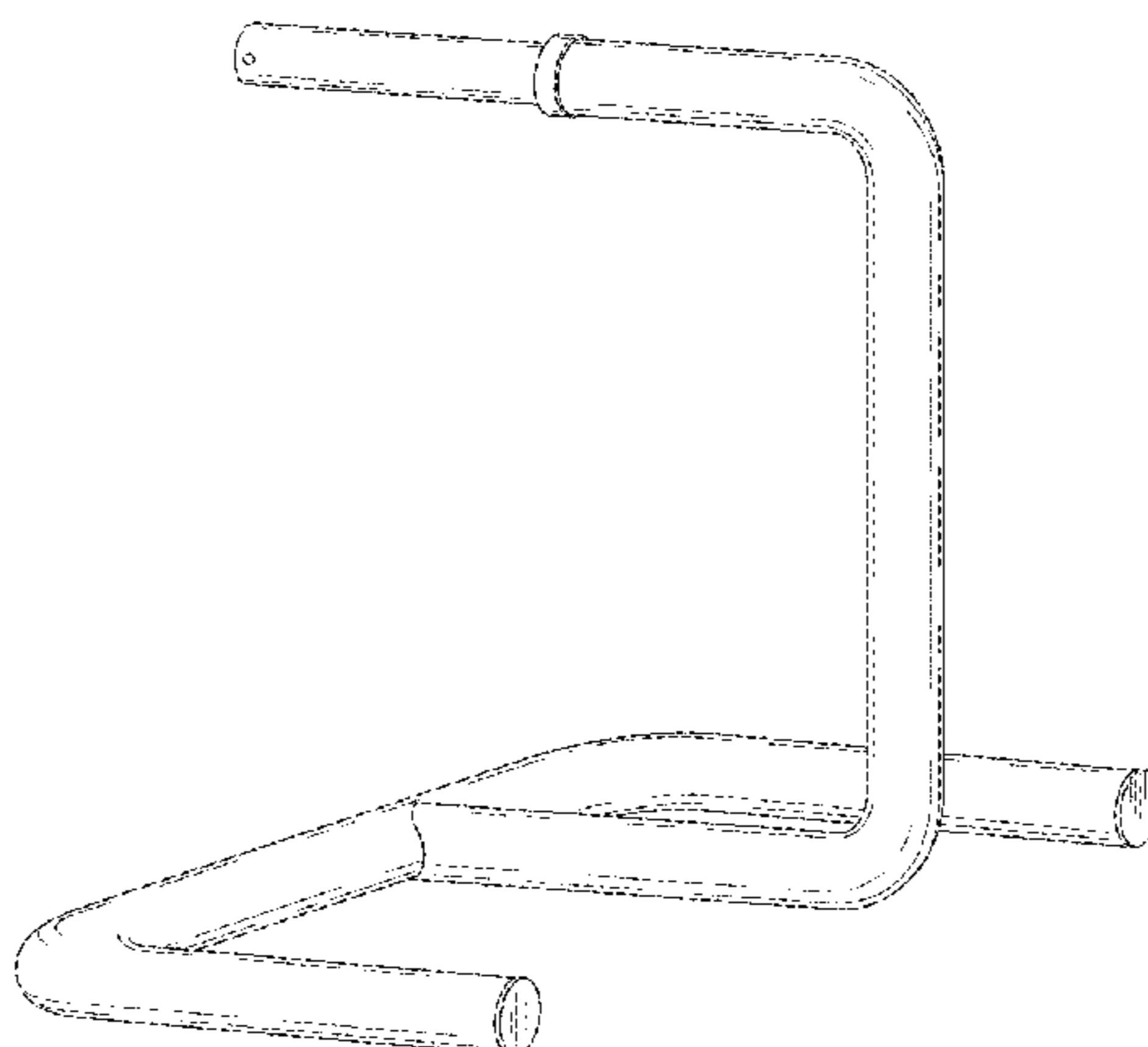
FIG. 6 is a top plan view thereof;

FIG. 7 is a bottom plan view thereof; and,

FIG. 8 is a perspective view thereof, illustrating the bicycle stand holding a bicycle in an upright position.

The broken line showing a portion of a bicycle is included for the purpose of illustrating environmental structure and forms no part of the claimed design.

1 Claim, 3 Drawing Sheets



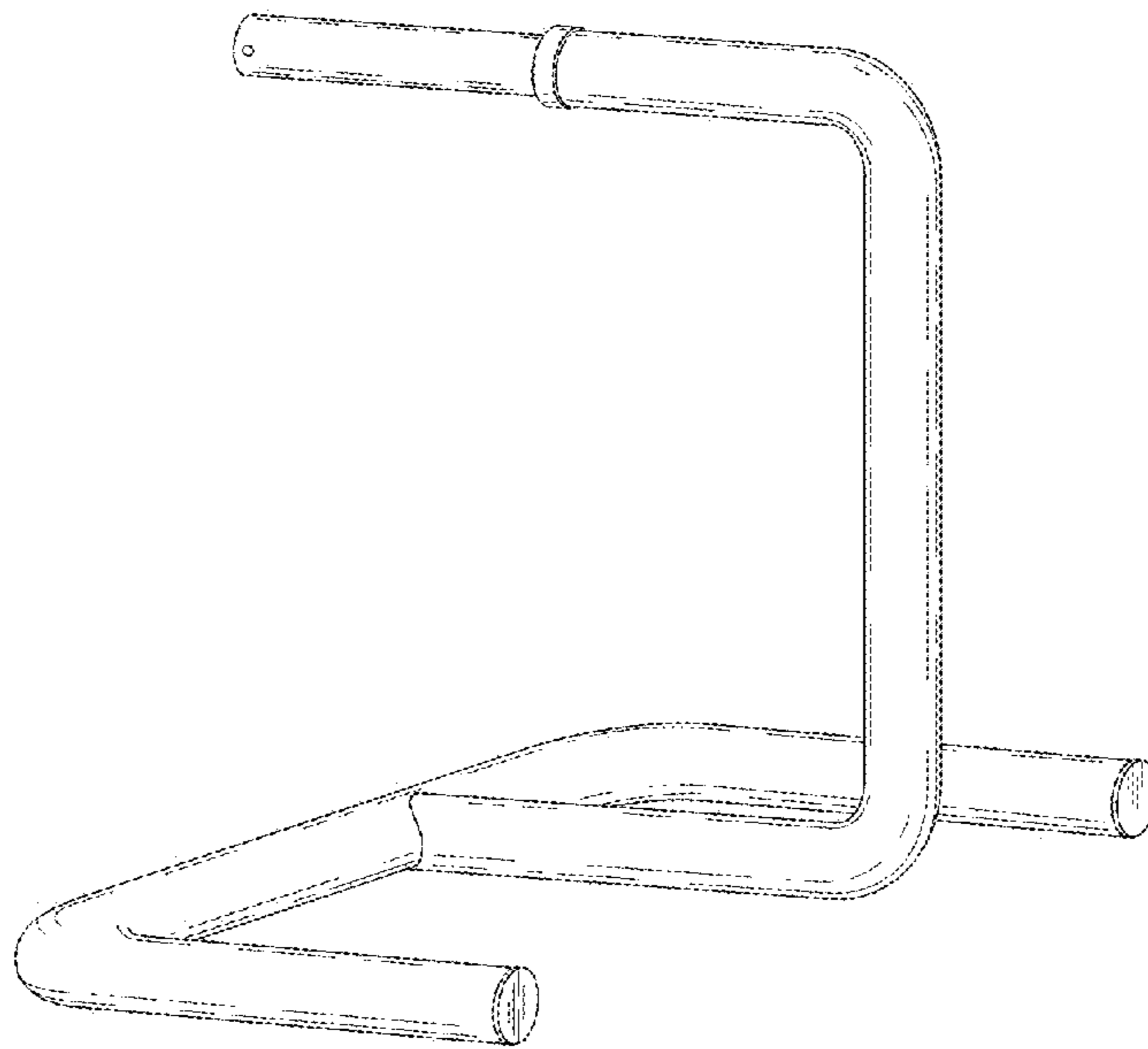


Fig. 1

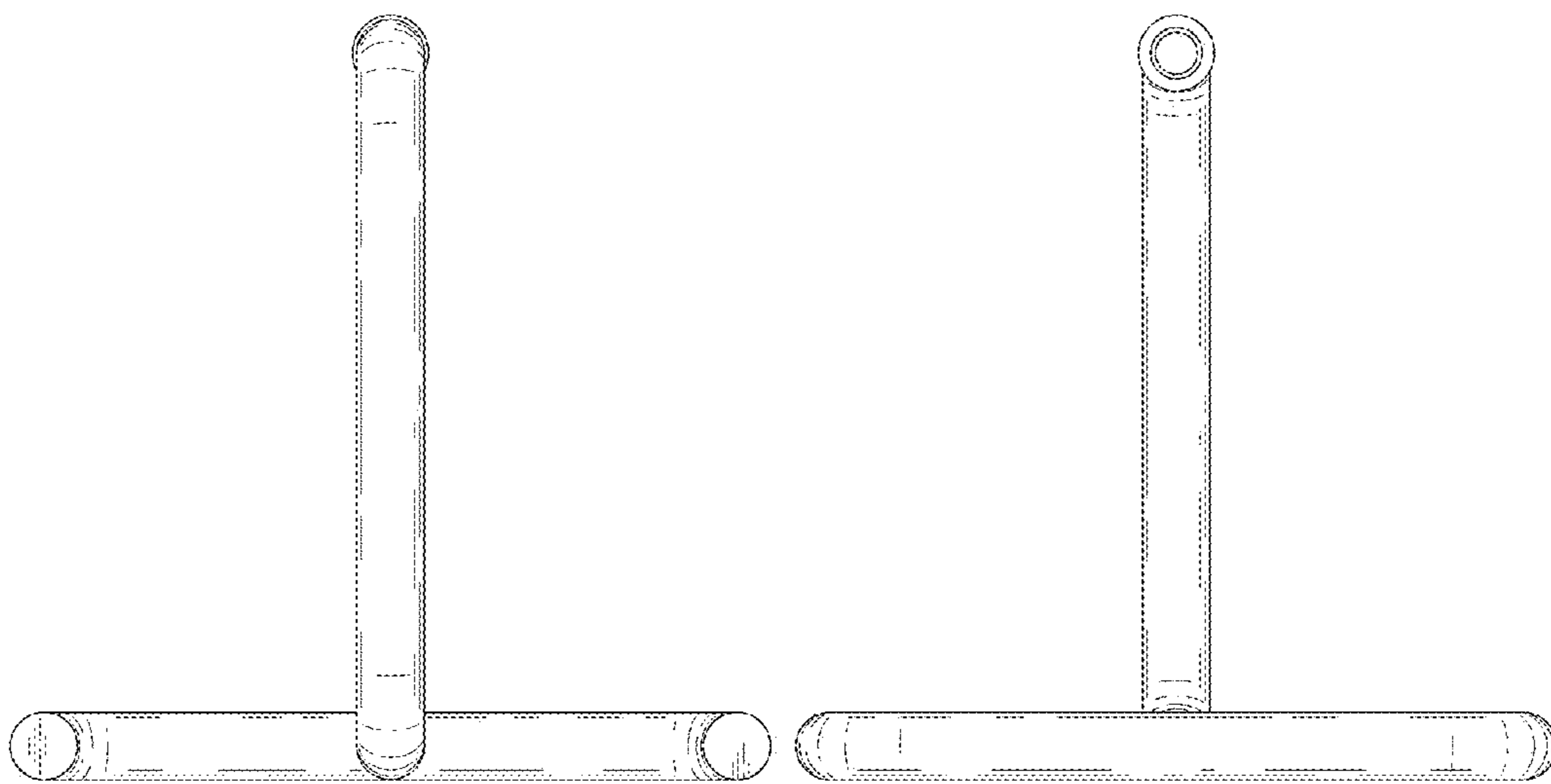


Fig. 2

Fig. 3

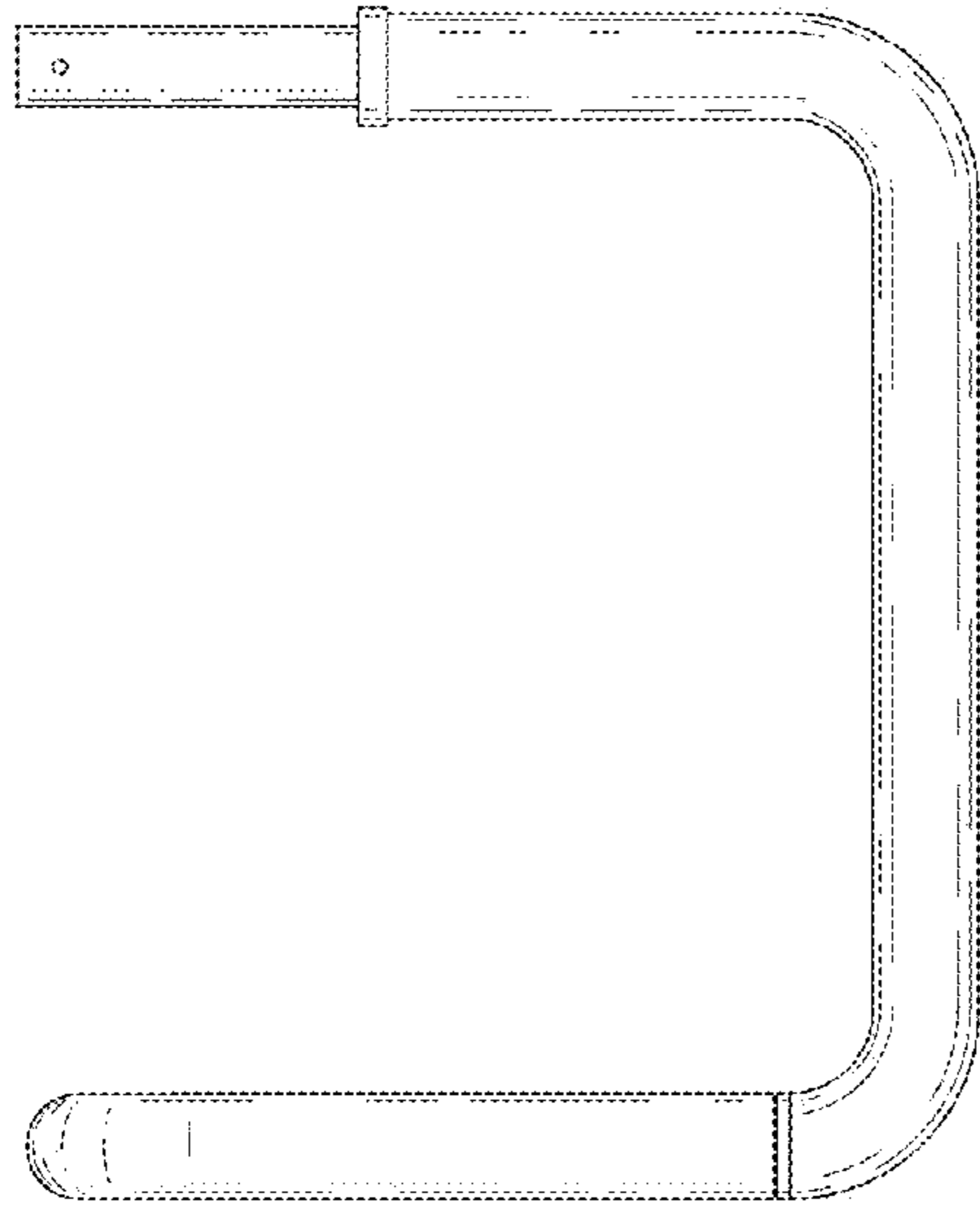


Fig. 4

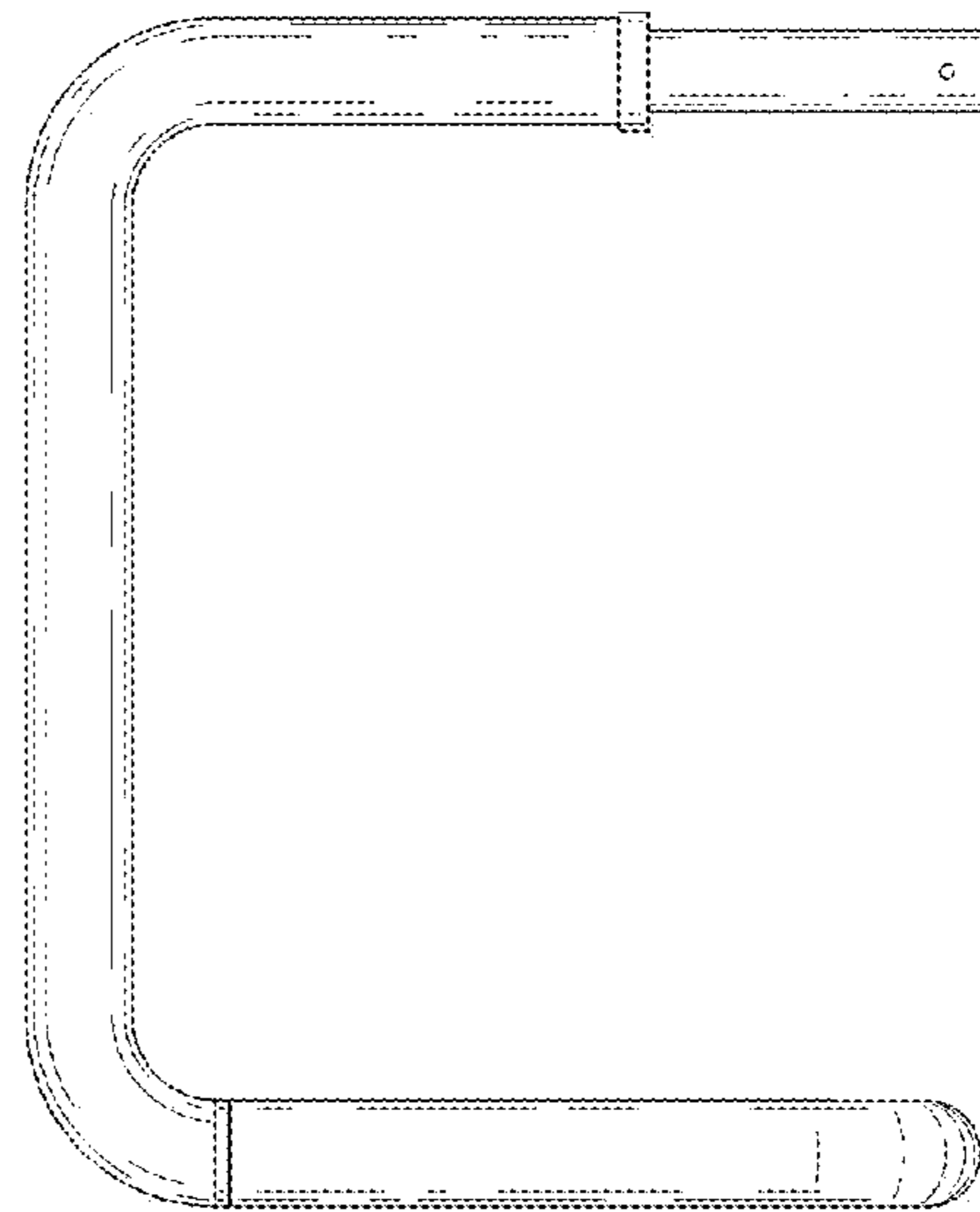


Fig. 5

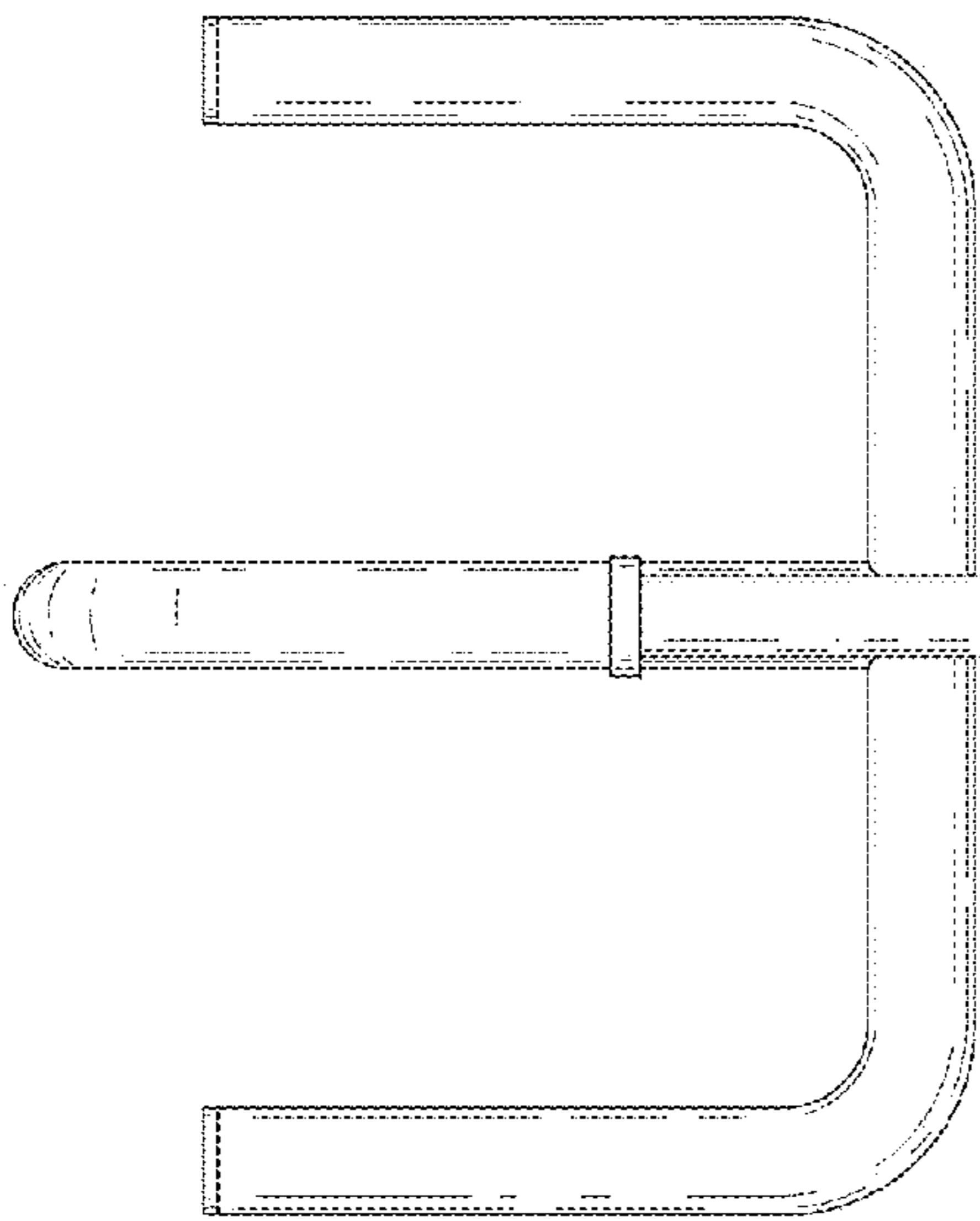


Fig. 6

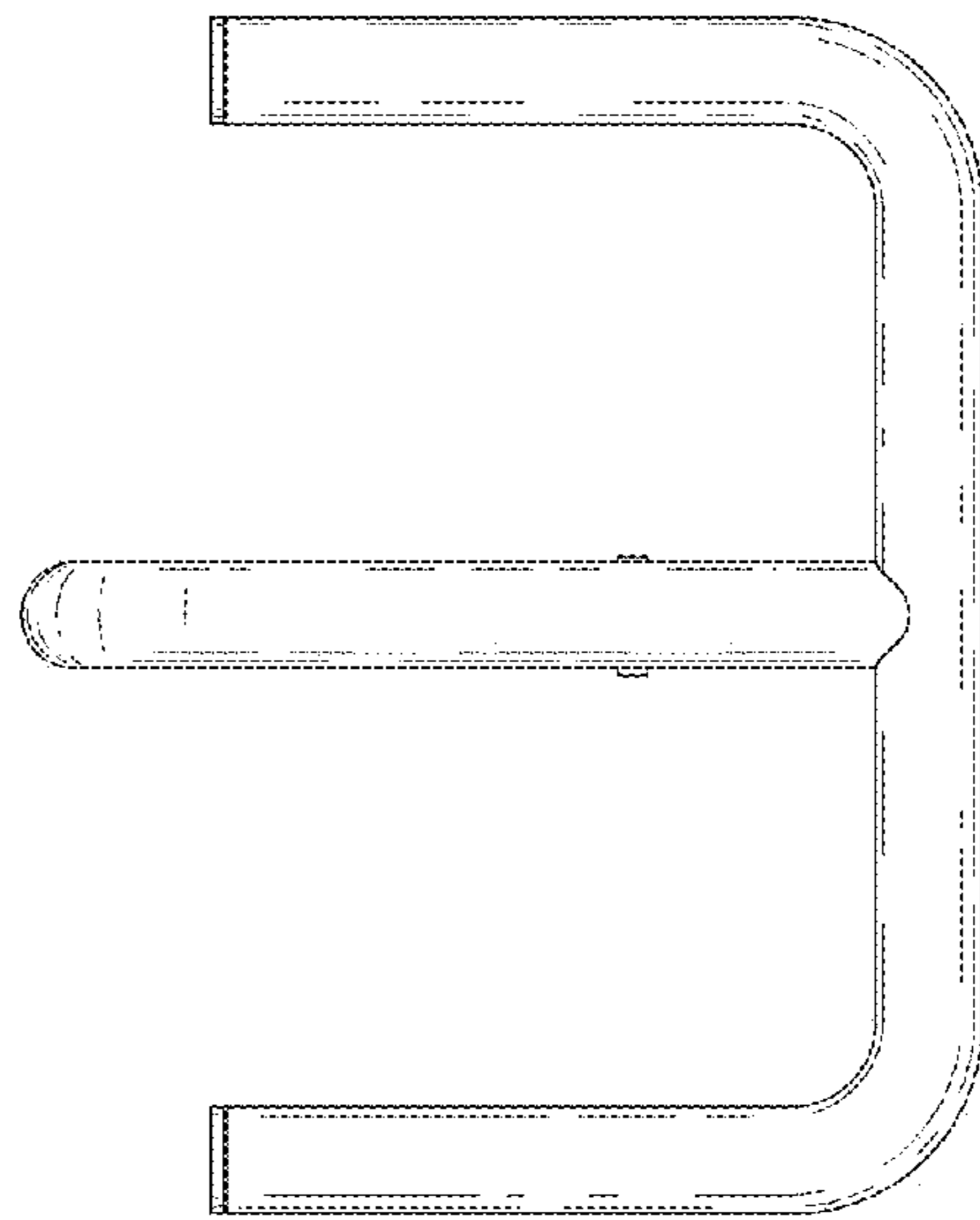


Fig. 7

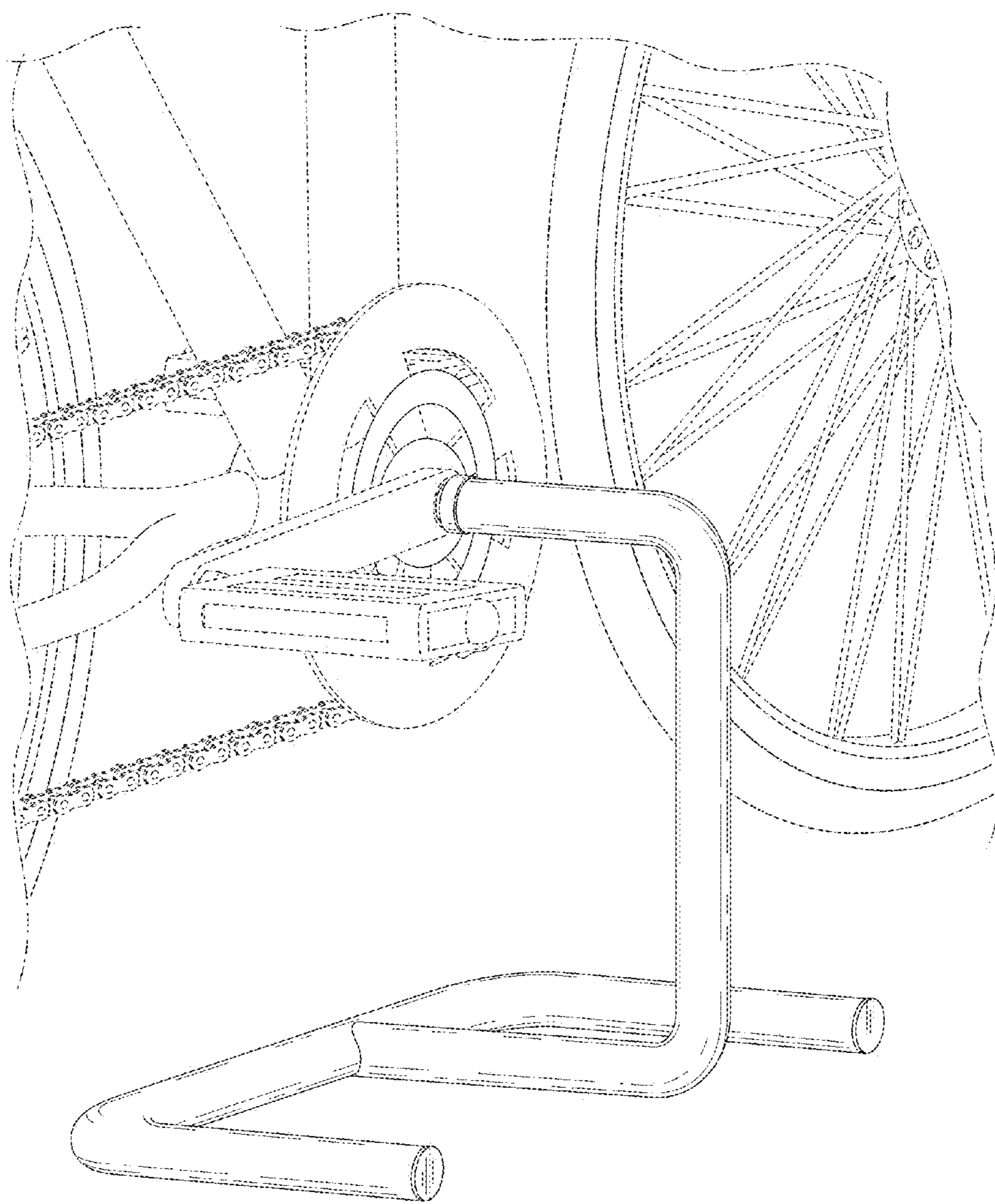


Fig. 8