



US00D718185S

(12) **United States Design Patent**
Cropley et al.

(10) **Patent No.:** **US D718,185 S**

(45) **Date of Patent:** **** Nov. 25, 2014**

(54) **CAM BUCKLE COVER**

(56) **References Cited**

(71) Applicant: **Rhino Rack Australia Pty Limited**,
Rydalmere, NSW (AU)

U.S. PATENT DOCUMENTS

(72) Inventors: **Richard Oswald Cropley**, Turrumurra
(AU); **Christopher John Murty**, Loftus
(AU); **Michael John Laybourne Hort**,
Chatswood (AU)

D308,186 S *	5/1990	Udelhofen et al.	D11/218
D380,983 S *	7/1997	Lu	D11/216
D385,825 S *	11/1997	Johnson, III	D11/212
D424,474 S *	5/2000	Gregory et al.	D11/218
7,107,657 B1 *	9/2006	Howell	24/614
D576,077 S *	9/2008	Yoshiguchi	D11/218
D592,542 S *	5/2009	Pontaoe	D11/216
D618,590 S *	6/2010	Paik	D11/216
D649,492 S *	11/2011	Grimm et al.	D11/216
D684,088 S *	6/2013	Fukazawa	D11/216

(73) Assignee: **Rhino Rack Australia Pty Limited**,
Rydalmere NSW (AU)

(**) Term: **14 Years**

* cited by examiner

(21) Appl. No.: **29/480,498**

Primary Examiner — Ralf Seifert

(22) Filed: **Jan. 27, 2014**

(74) *Attorney, Agent, or Firm* — Fox Rothschild LLP

(30) **Foreign Application Priority Data**

Jul. 31, 2013 (AU) 13661/2013

(51) **LOC (10) Cl.** **02-07**

(52) **U.S. Cl.**
USPC **D11/216**

(58) **Field of Classification Search**
CPC A44B 11/26; A44B 11/25; A44B 11/06;
A44B 11/2549
USPC D11/1-2, 200-201, 206-210, 214-218;
24/163 R, 169-171, 173, 177-179, 191,
24/194-195, 197, 200, 614-616, 625, 198,
24/578.11, 578.1, 163 K, 114, 455, 573.11,
24/598.2; D8/394, 395

See application file for complete search history.

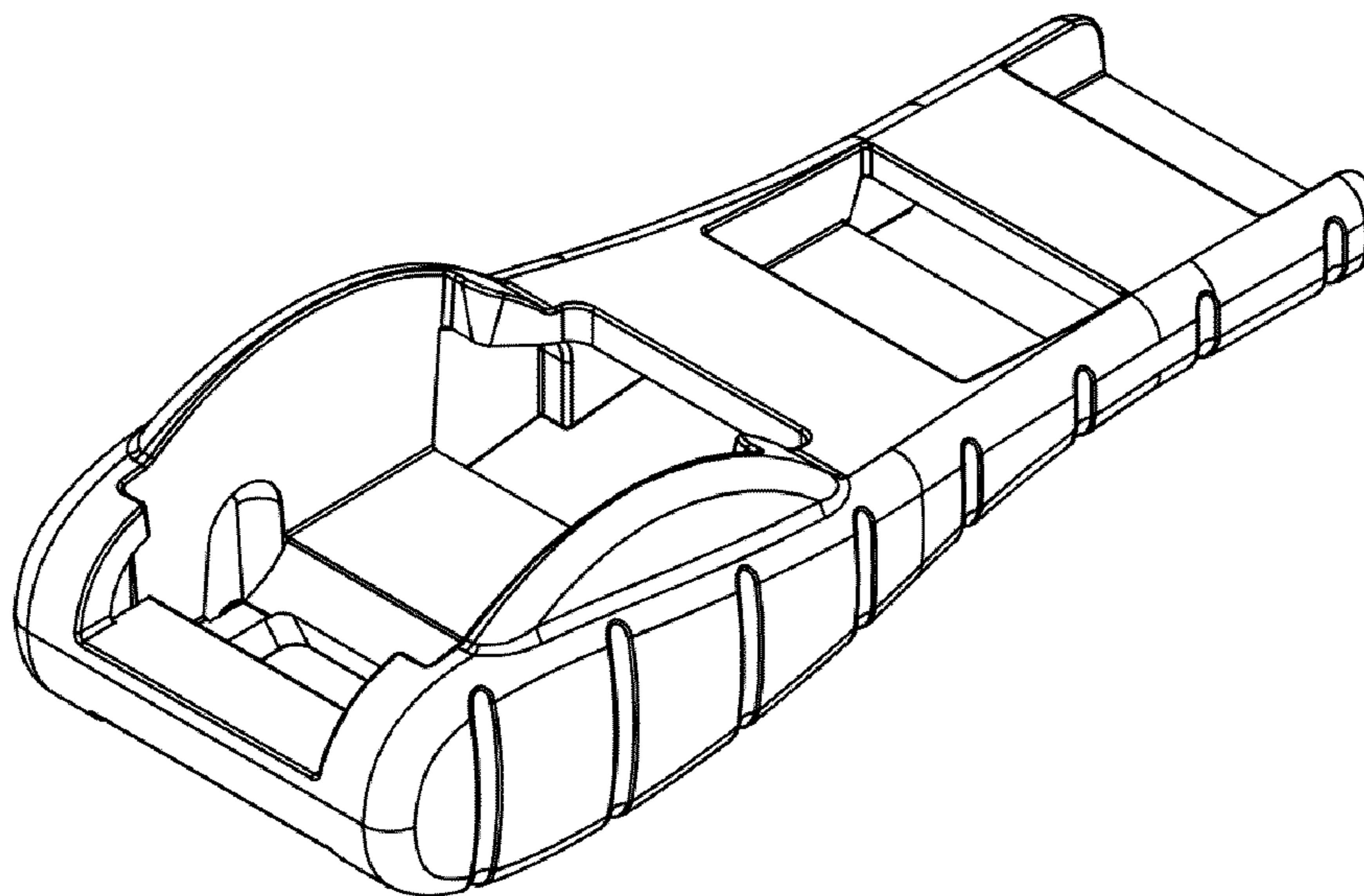
(57) **CLAIM**

The ornamental design for a cam buckle cover, as shown and described.

DESCRIPTION

FIG. 1 is a top perspective view of a cam buckle cover showing our new design;
FIG. 2 is a bottom perspective view thereof;
FIG. 3 is a top plan view thereof;
FIG. 4 is a bottom plan view thereof;
FIG. 5 is a side elevational view thereof;
FIG. 6 is a front elevational view thereof; and,
FIG. 7 is a rear elevational view thereof.

1 Claim, 7 Drawing Sheets



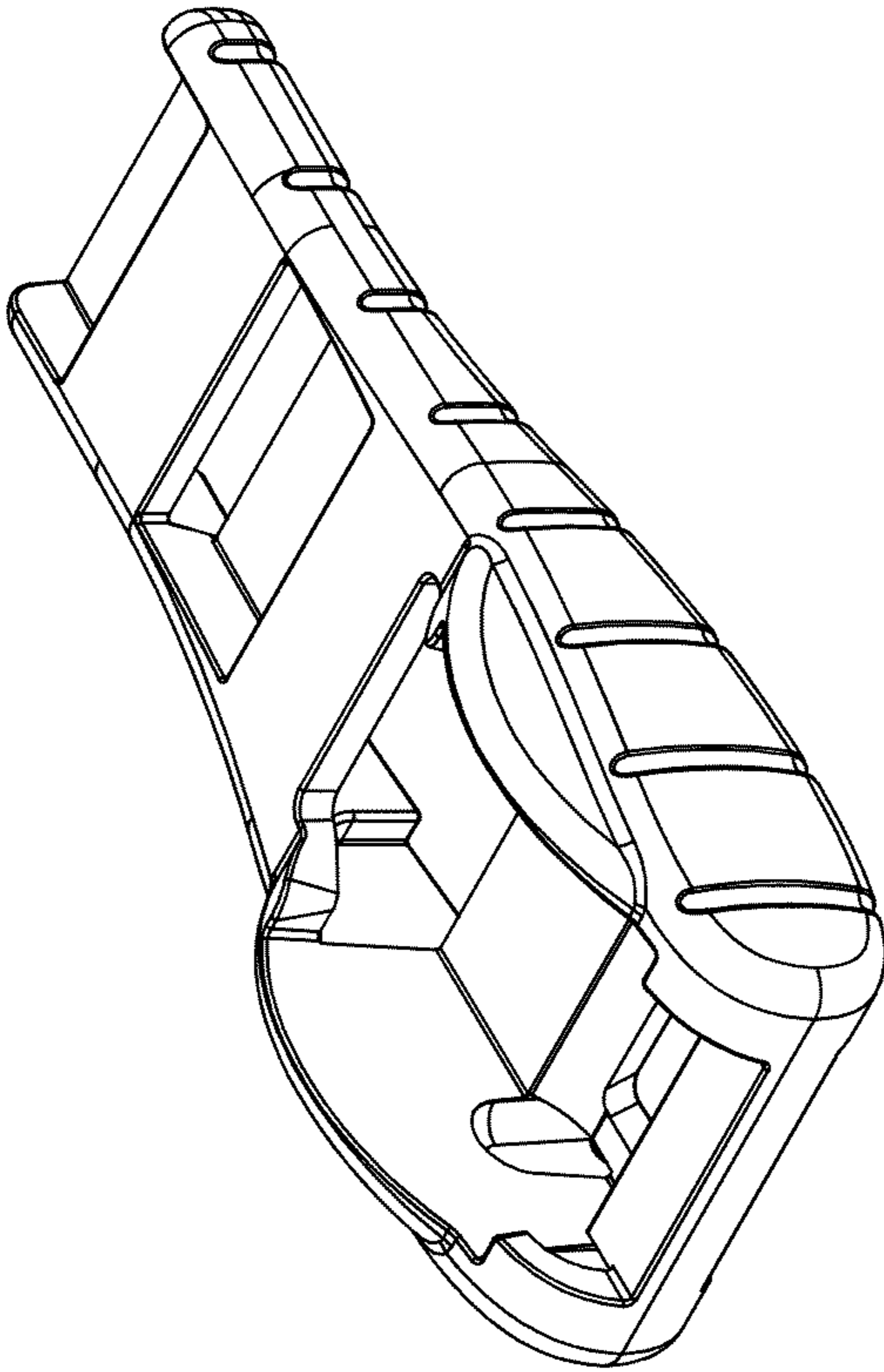


FIG. 1

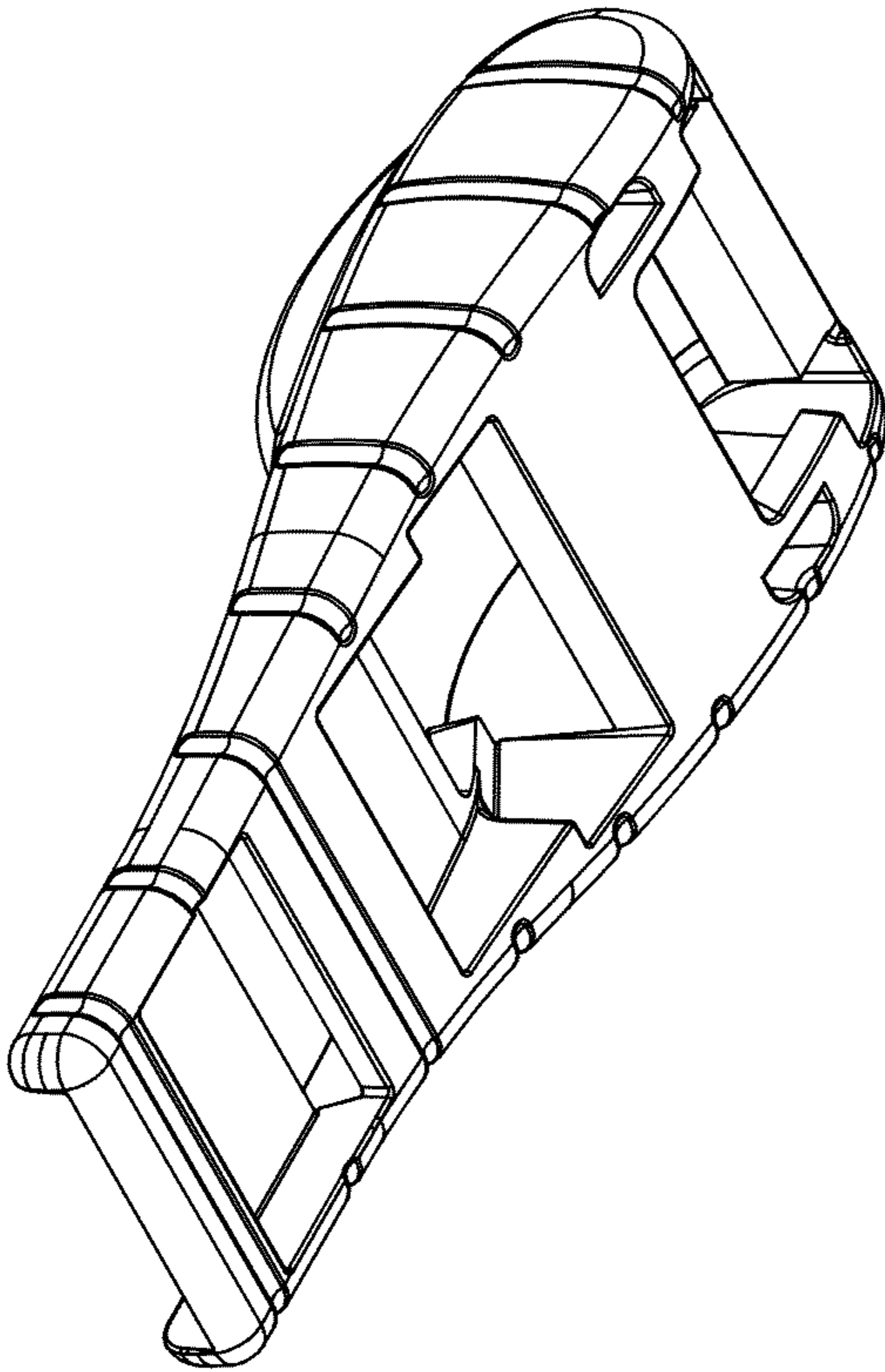


FIG. 2

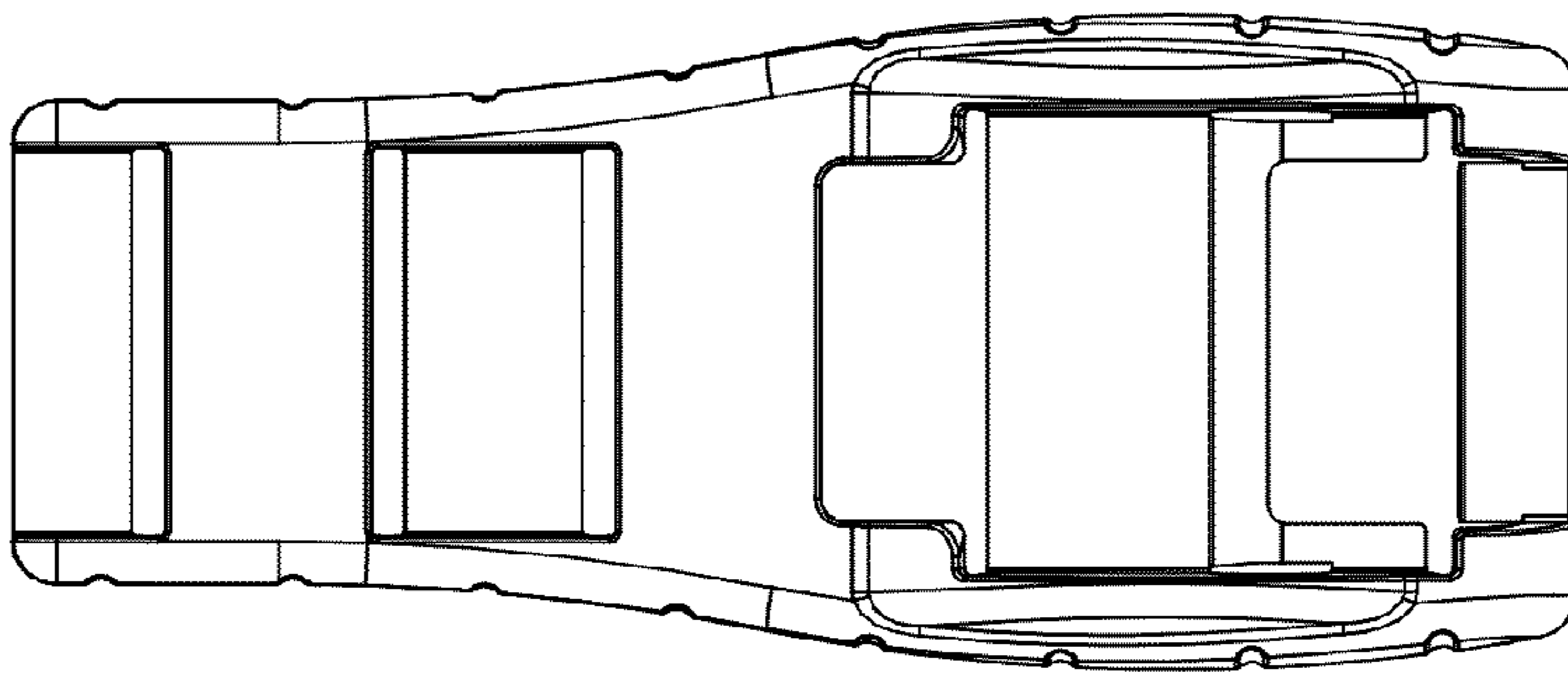


FIG. 3

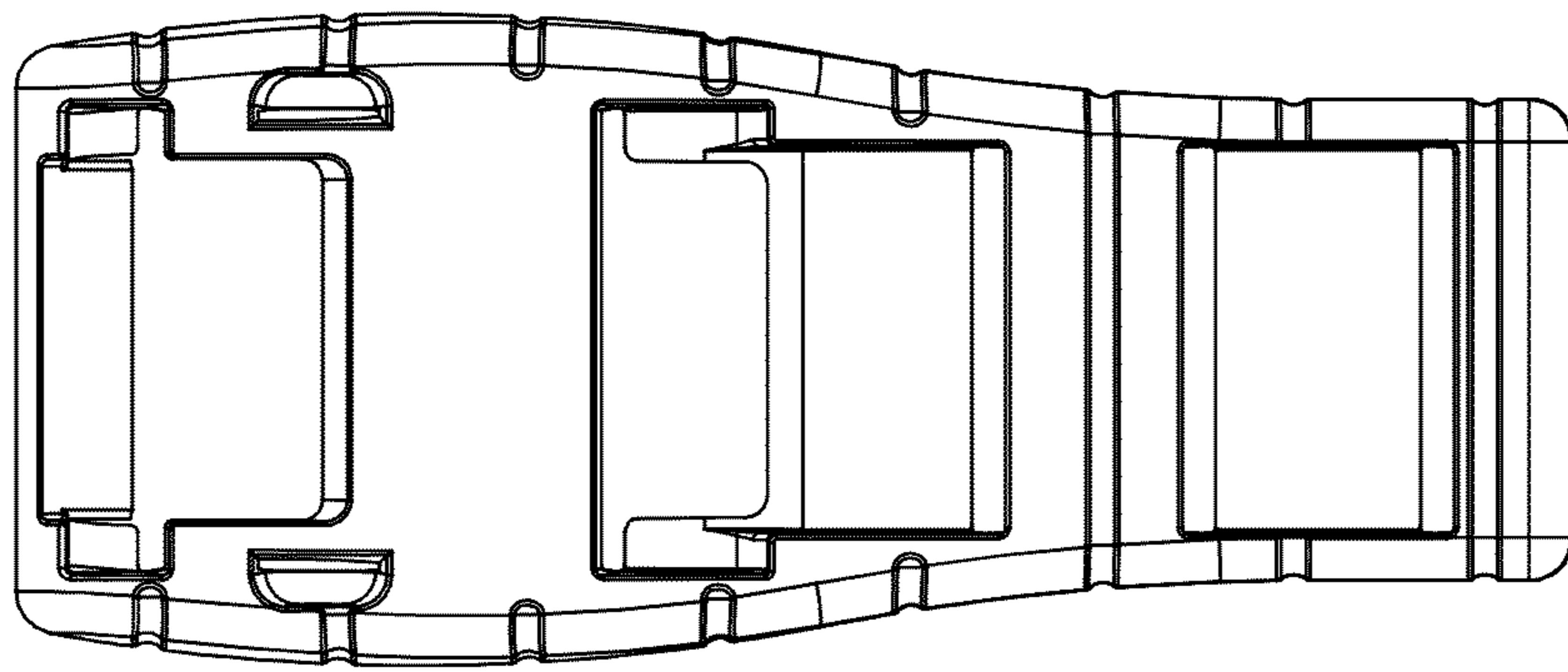


FIG. 4

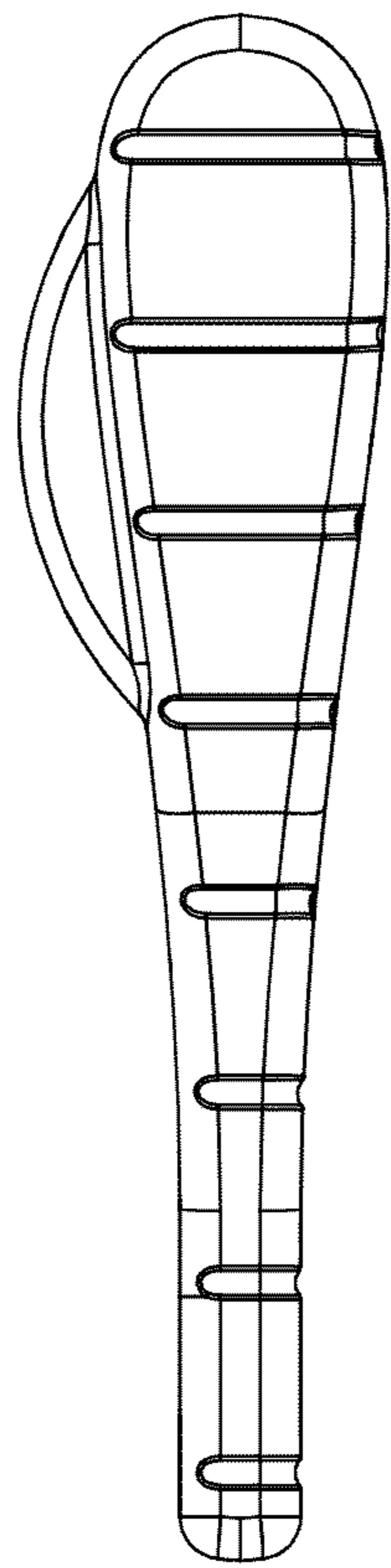


FIG. 5

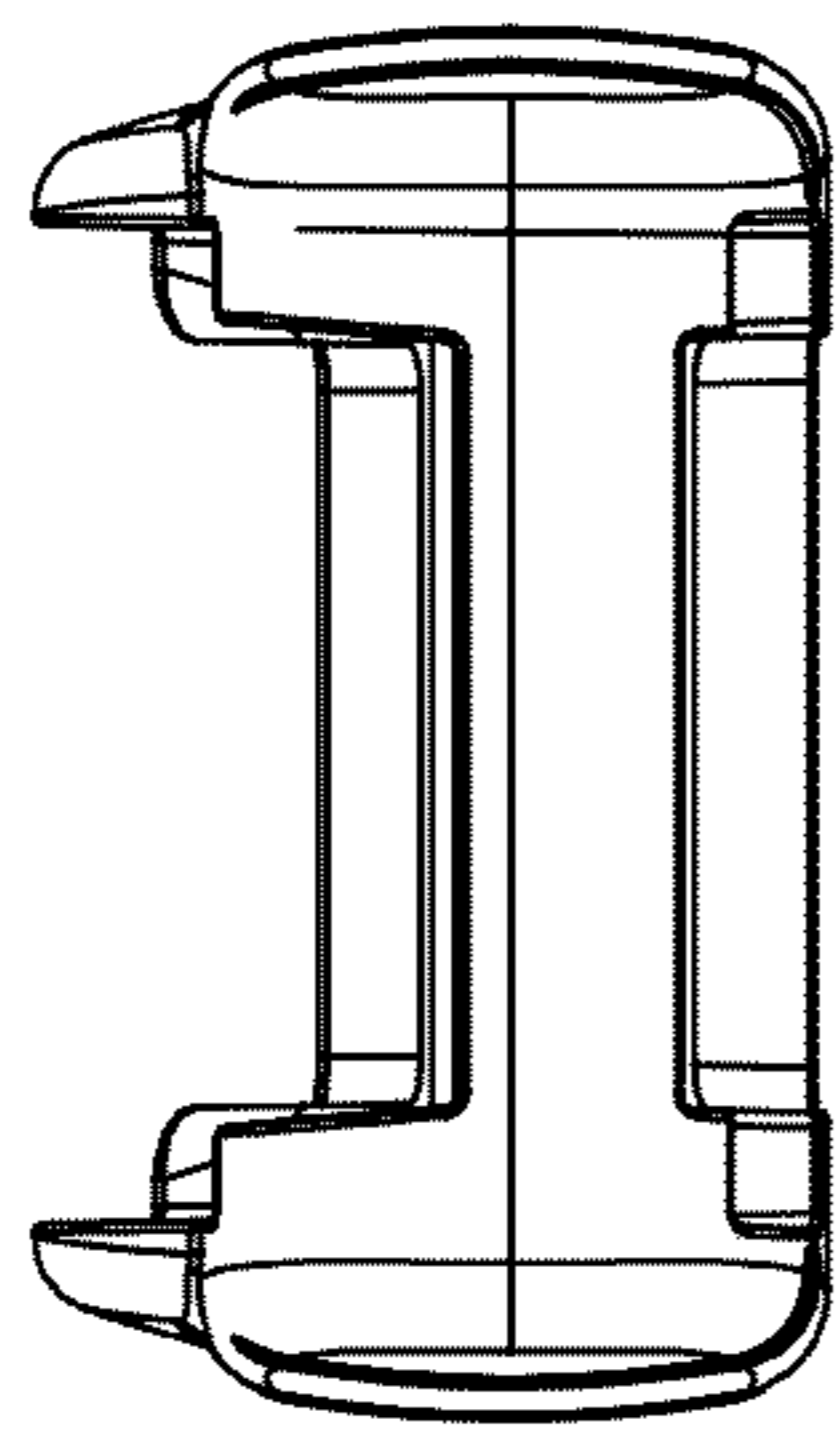


FIG. 6

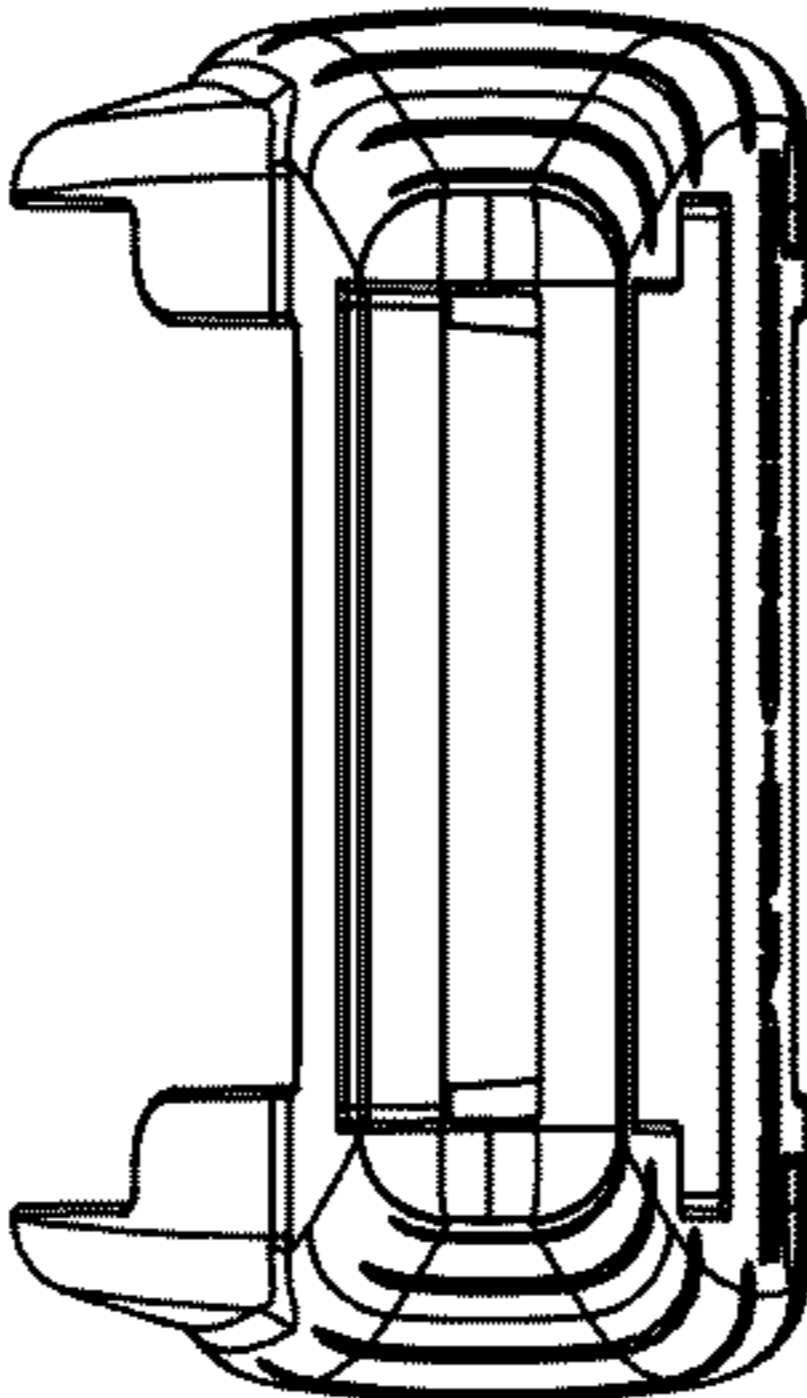


FIG. 7